

STIHL

STIHL RE 90

Instruction Manual
Notice d'emploi



GB Instruction Manual
1 - 37

F Notice d'emploi
38 - 76

Contents

1	Introduction	2	10	Switching the Pressure Washer On and Off	23
2	Guide to Using this Manual	2	10.1	Switching On	23
2.1	Signal Words	2	10.2	Switching Off	24
2.2	Symbols in Text	3	11	During Operation	24
3	Main Parts	4	11.1	Activating and Locking the Spray Gun Trigger	24
3.1	Pressure Washer	4	11.2	Adding Detergents	25
3.2	Spray Attachment	5	11.3	Cleaning	25
4	Safety Symbols on the Product	5	12	After Finishing Work	27
4.1	Pressure Washer	5	12.1	Preparing for Transportation or Storage	27
5	IMPORTANT SAFETY INSTRUCTIONS	6	12.2	Protecting the Pressure Washer in Winter Conditions	27
5.1	General Safety Warnings and Instructions	6	13	Transporting	28
5.2	Intended Use	8	13.1	Transporting the Pressure Washer	28
5.3	Operator	8	14	Storing	29
5.4	Personal Protective Equipment	8	14.1	Storing the Pressure Washer	29
5.5	Pressure Washer	9	15	Cleaning	29
5.6	Power Supply Cord	10	15.1	Cleaning the Pressure Washer	29
5.7	Connecting the Water Supply	10	15.2	Cleaning the Nozzle and Spray Lance	29
5.8	Using the Pressure Washer	11	15.3	Cleaning the Water Intake Screen	30
6	Maintenance, Repair and Storage	15	15.4	Cleaning the Water Filter	30
6.1	Warnings and Instructions	15	16	Inspection and Maintenance	31
7	Before Starting Work	16	16.1	Inspection and Maintenance Chart	31
7.1	Preparing the Pressure Washer for Operation	16	16.2	Inspecting and Maintaining the Pressure Washer	32
8	Assembling the Pressure Washer	16	16.3	Lubricating the Gaskets	32
8.1	Assembling Parts and Accessories	16	17	Troubleshooting Guide	33
8.2	Connecting and Removing the High-Pressure Hose	17	17.1	Pressure Washer	33
8.3	Spray Gun and Lance	18	18	Specifications	35
8.4	Inserting and Removing the Spray Nozzle	19	18.1	STIHL RE 90.0	35
9	Connecting the Water Supply	20	18.2	Symbols on the Pressure Washer	35
9.1	Connecting the Pressure Washer to the Mains Water Supply	20	18.3	Engineering Improvements	35
9.2	Connecting the pressure washer to another water source	22	19	Replacement Parts and Equipment	37
			19.1	Genuine STIHL Replacement Parts	37
			20	Disposal	37



This instruction manual is protected by copyright. All rights reserved, especially the rights to reproduce, translate and process with electronic systems.

20.1 Disposal of the Power Tool37

1 Introduction

Thank you for your purchase. The information contained in this manual will help you receive maximum performance and satisfaction from your STIHL pressure washer and, if followed, reduce the risk of injury from its use.

SAVE THIS MANUAL!



Because the pressure washer is electrically powered and produces a strong water jet, special safety precautions must be observed to reduce the risk of personal injury.



Read this instruction manual thoroughly before use and periodically thereafter. Follow all safety precautions. Careless or improper use of the pressure washer can cause serious or fatal injury.

Have your authorized STIHL servicing dealer show you how to operate your pressure washer.

Do not lend or rent your pressure washer without this instruction manual. Allow only persons who fully understand the information in this manual to operate the pressure washer.

For further information, or if you do not understand any of the instructions in this manual, please go to www.stihl.ca or contact your authorized STIHL servicing dealer.

2 Guide to Using this Manual

2.1 Signal Words

This manual contains safety information that requires your special attention. Such information is introduced with the following symbols and signal words:



DANGER

Indicates a hazardous situation that, if not avoided, will result in death or serious injury.

 **WARNING**


Indicates a hazardous situation that, if not avoided, could result in death or serious injury.

NOTICE

Indicates a risk of property damage, including damage to the machine or its individual components.

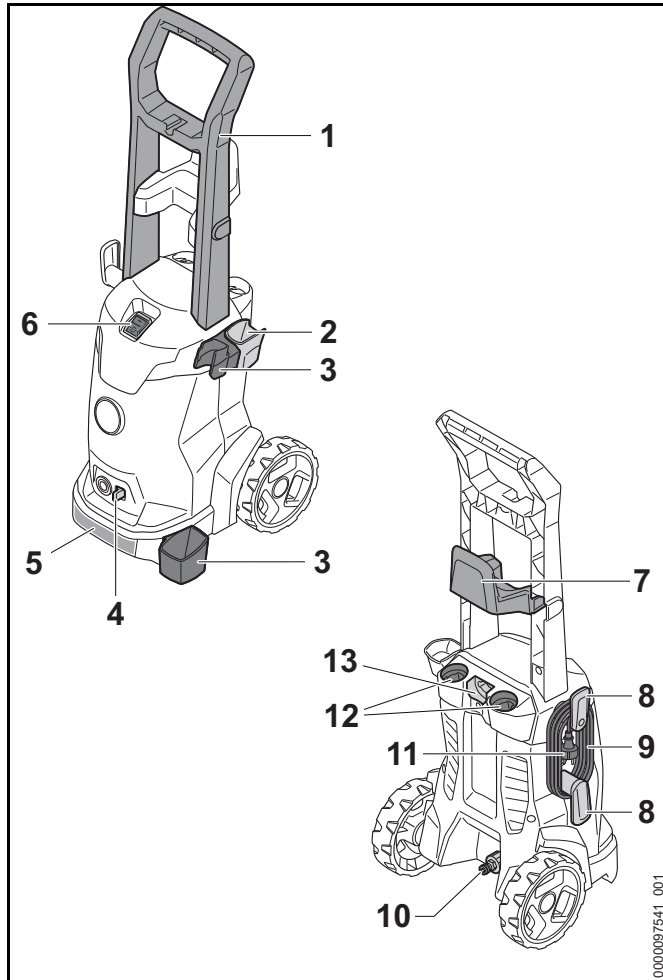
2.2 Symbols in Text

The following symbol is included to assist you with the use of the manual:

 Refers to a designated chapter or sub-chapter in this instruction manual.

3 Main Parts

3.1 Pressure Washer



1 Pushbar

For transporting the pressure washer.

2 Holder for Spray Gun

For storing the spray gun.

3 Holder for Spray Attachment

For storing the spray lance.

4 Connector for High-Pressure Hose

For connecting the high-pressure hose to the high-pressure pump.

5 Carrying Handle

For lifting and transporting the pressure washer.

6 Power Switch

Switches the motor on and off.

7 Bracket for High-Pressure Hose

For storing the high-pressure hose.

8 Holder for Power Supply Cord

For storing the power supply cord.

9 Power Supply Cord

Supplies the pressure washer with electricity when connected to an electrical outlet (power supply).

10 Connector for Water Inlet

For connecting the water hose to the high-pressure pump.

11 Plug

Connects the power supply cord to an electrical outlet.

12 Storage Compartment

For storing the high-pressure nozzles.

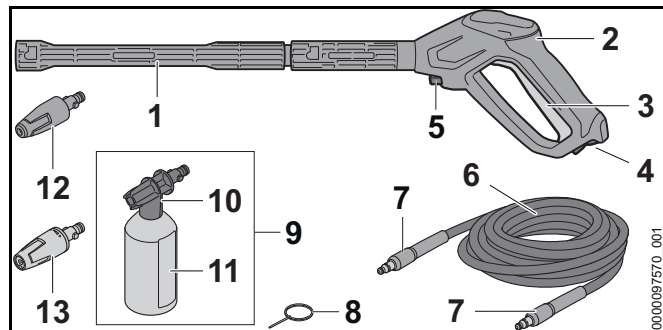
13 Holder for Detergent Spray Set

For storing the detergent spray set.

Rating Plate

Contains electrical information and the product's serial number.

3.2 Spray Attachment



1 Spray Lance

Directs the water from the spray gun to the high-pressure nozzle.

2 Spray Gun

For controlling and directing the water jet.

3 Spray Gun Trigger

Opens and closes the valve in the spray gun.

4 Retaining Latch

Locks/unlocks the spray gun trigger.

5 Coupling for High-Pressure Hose

For connecting the high-pressure hose to the spray gun.

6 High-Pressure Hose

Transports the water from the high-pressure pump to the spray gun.

7 Coupling

For connecting the high-pressure hose to the high-pressure pump and spray gun.

8 Cleaning Needle

For removing dirt and debris from the spray nozzles.

9 Detergent Spray Set

Used for adding detergents.

10 Detergent Nozzle

Designed to mix and spray detergent with water.

11 Detergent Bottle

For adding detergent while cleaning.

12 Rotary-jet Nozzle

Rotating nozzle for removing stubborn dirt.

13 Fan-jet Nozzle

Universal nozzle for cleaning larger surfaces.

4 Safety Symbols on the Product

4.1 Pressure Washer

The following safety symbols are found on the pressure washer:



To reduce the risk of injury, follow the specified safety precautions.



Read and follow all safety precautions in the instruction manual. Improper use can lead to serious or fatal personal injury or property damage.



To reduce the risk of eye injury, always wear proper eye protection. 5.4.



- To reduce the risk of serious or fatal injury to the operator or bystanders, never direct the high-pressure jet toward the operator, bystanders or animals, not even to clean clothing or shoes, 5.8.4.
- To reduce the risk of short-circuiting, fire and electrocution, never direct the spray at electrical appliances and equipment, sockets or power cords, 5.8.4.
- To reduce the risk of short-circuiting, fire and electrocution, never direct the spray at electrical equipment or the pressure washer itself, 5.8.4.



To reduce the risk of injury or property damage, immediately disconnect the pressure washer from the power supply if the power supply cord is damaged, 5.8.



Do not connect the pressure washer directly to a potable water system, 9.



To reduce the risk of injury or property damage from unintended activation, switch off the pressure washer any time the pressure washer is not in use, 5.8.4.



To reduce the risk of damage to the pressure washer, do not allow the pressure washer to be used or stored in freezing temperatures. Store the pressure washer indoors in a dry, secure place that cannot be accessed by children or other unauthorized users, 6.

5 IMPORTANT SAFETY INSTRUCTIONS

5.1 General Safety Warnings and Instructions

This section contains the prescribed general safety warnings and instructions for electric high-pressure cleaners / pressure washers. Additional important warnings and instructions are provided in subsequent sections of this manual.

WARNING

When using electric pressure washers, basic safety precautions should always be followed to reduce the risk of fire, electric shock and personal injury, including the following:

- 1) Read all the instructions before using the product.
- 2) To reduce the risk of injury, close supervision is necessary when a product is used near children.
- 3) Know how to stop the product and bleed pressures quickly. Be thoroughly familiar with the controls.
- 4) Stay alert – watch what you are doing.
- 5) Do not operate the product when fatigued or under the influence of alcohol or drugs.
- 6) Keep operating area clear of all persons.
- 7) Do not overreach or stand on unstable support. Keep good footing and balance at all times.
- 8) Follow the maintenance instructions specified in the manual.
- 9) WARNING – Risk of eye injury. Spray can splash back or propel objects. Always wear properly rated eye protection such as safety goggles or face shield while spraying. (Safety glasses do not provide full protection.)

GROUNDING INSTRUCTIONS**⚠ WARNING**

- This product must be grounded. If it should malfunction or break down, grounding provides a path of least resistance for electric current to reduce the risk of electric shock. This product is equipped with a cord having an equipment grounding conductor and a ground pin. The plug must be plugged into an appropriate electrical outlet that is properly installed and grounded in accordance with all local codes and ordinances.
- Improper connection of the equipment-grounding conductor can result in a risk of electrocution. Check with a qualified electrician or service personnel if you are in doubt as to whether the electrical outlet is properly grounded. Do not modify the plug provided with the product – if it will not fit the outlet, have a proper outlet installed by a qualified electrician. Do not use any type of adapter with this product.

EXTENSION CORDS**⚠ WARNING**

- Risk of electrocution. Use of an extension cord could cause electric shock or burn resulting in death or serious injury.
- Do not use an extension cord with this electric pressure washer. Your electrical circuit receptacle or extension cord may not provide lifesaving protection with a ground fault circuit interrupter.

ADDITIONAL SAFETY INFORMATION**⚠ WARNING**

- Read and follow all safety precautions on labels and in instruction manual. Failure to follow these instructions can cause serious or fatal injury.
- Spray jet can propel objects at high velocity. Always wear goggles that are impact-rated and comply with CSA Z94.
- Keep bystanders and animals out of the work area.

- Always wear hearing protection.
- See rating plate for maximum discharge pressure and maximum discharge temperature – use only high pressure hoses and accessories rated for these amounts or above. Use only genuine STIHL replacement parts.
- Spray gun produces strong recoil (kickback) opposite to direction of spray. Hold firmly with both hands to reduce the risk of injury from loss of control.
- Because of high pressure and water velocity, spray jet is very powerful. To reduce risk of severe lacerations and injection of fluids below the skin, never direct spray jet towards self, other persons or animals. Keep clear of nozzle while machine is operating. Make sure spray jet does not damage object being cleaned.
- To reduce risk of fire and explosion, never spray flammable liquids.
- To reduce risk of serious or fatal injury from electric shock, never use pressure washer if its power cord is cut, cracked, worn or damaged. Immediately disconnect a damaged cord.
- To reduce risk of electrocution and fire, never direct spray jet towards the machine itself, other electrical appliances or equipment, sockets or power cords. Never spray near power source.
- Protect against frost.
- Store indoors.
- If connection is made to a potable water system, the system must be protected against backflow.

RISK OF ELECTROCUTION**⚠ WARNING**

- Inspect cord before using – do not use if cord is damaged.
- Keep all connections dry and off the ground.
- Do not touch plug with wet hands.

- Double insulated – when servicing use only identical replacement parts.
- If replacement of the plug or cord is needed, use only identical replacement parts.
- Do not use an extension cord.
- Read instruction manual before using.

5.2 Intended Use

⚠ WARNING

- This pressure washer is designed for cleaning jobs around the home and garden, cleaning garden furniture, walkways, patios, vehicles, trailers and other similar applications.
- Use your pressure washer only for cleaning solid surfaces and other items that will not be damaged by water or the force of the spray jet.
- Use the pressure washer only as described in this manual. Do not use it for other purposes, since misuse may result in personal injury or property damage, including damage to the pressure washer.
 - Never attempt to modify or override the pressure washer's controls or safety devices in any way.
 - Never use a pressure washer that has been modified or altered from its original design.

5.3 Operator

⚠ WARNING

- Working with the pressure washer can be strenuous. The operator must be in good physical condition and mental health. To reduce the risk of personal injury from fatigue and loss of control:
 - Check with your doctor before using the pressure washer if you have any health condition that may be aggravated by strenuous work.
 - Do not operate the pressure washer while under the influence of any substance (drug, alcohol or medication, etc.) that might impair vision, balance, dexterity or judgment.
 - Be alert. Do not operate the pressure washer when you are tired. Take a break if you become tired.
 - Do not permit minors to use the pressure washer.
 - Bystanders, especially children, and animals should not be allowed in the area where the pressure washer is in use.
- According to STIHL's current knowledge, the electric motor of this pressure washer should not interfere with a pacemaker.
 - However, persons with a pacemaker or other implanted medical device should consult their physician and device manufacturer before operating this pressure washer.

5.4 Personal Protective Equipment

⚠ WARNING

- To reduce the risk of personal injury:
 - Always wear proper clothing and protective apparel, including proper eye protection.
- To reduce the risk of eye injury:
 - Always wear goggles that are impact-rated and marked as complying with CSA Z94. Safety glasses do not provide full protection.



- Good footing is very important. To help maintain a secure footing and reduce the risk of injury while working:



- Wear sturdy boots with non-slip, rubber soles. Do not wear sandals, flip-flops, open-toed or similar footwear.

- To reduce the risk of electric shock:
 - Wear rubber-soled footwear that provides insulation when operating the pressure washer.
- Aqueous aerosols may form while working with a pressure washer. Inhalation of some aerosols can be hazardous. To determine the measures necessary to protect against aqueous aerosols, carry out a risk assessment before starting work. Depending on your risk assessment, class FFP2 or higher respirators may be necessary.

5.5 Pressure Washer

⚠ WARNING

- To reduce the risk of serious or fatal injury from electrocution or electric shock:
 - Position the pressure washer outside the wet work area.
 - Store the pressure washer indoors.
 - Never use your pressure washer if the casing around the motor is cracked or damaged.
- To reduce the risk of personal injury to the operator and bystanders:
 - Always switch off the pressure washer, relieve system pressure, lock the spray gun trigger and disconnect from the power supply before assembling, inspecting, cleaning, maintaining or servicing the pressure washer.
- Although certain unauthorized attachments may fit your STIHL pressure washer, their use may be extremely dangerous. Only attachments supplied by STIHL or expressly approved by STIHL for use with this specific model are recommended.
 - Use only attachments supplied or expressly approved by STIHL.
 - Never modify this pressure washer in any way.
 - Never attempt to modify or override the pressure washer's controls or safety devices in any way.
 - Never use a pressure washer that has been modified or altered from its original design.
- If the pressure washer is dropped or subjected to similar heavy impacts:
 - Check that it is undamaged, in good condition and functioning properly before continuing work.
 - Check that the controls and safety devices are working properly.
 - Check that the power supply cord has not been damaged.
 - Never work with a damaged or malfunctioning pressure washer. In case of doubt, have the pressure washer checked by your authorized STIHL servicing dealer.

- If the pressure washer is damaged, not working properly, has been left outdoors or exposed to rain, its components may no longer function properly and safety devices may be inoperative. To reduce the risk of personal injury and property damage:
 - Take the pressure washer to your authorized STIHL servicing dealer to be checked before further operation.
- Genuine STIHL replacement parts are specifically designed to match your pressure washer and meet safety and performance requirements. Use of parts that are not authorized or approved by STIHL may cause serious or fatal injury or property damage.
 - STIHL recommends that only identical STIHL replacement parts be used.

5.6 Power Supply Cord

WARNING

- Using a damaged power supply cord or plug may result in fire, electric shock and other personal injury or property damage. To reduce these risks:



- Check the pressure washer's power supply cord or plug regularly for damage. If it becomes damaged, disconnect the pressure washer from the power supply. Never use a damaged power supply cord or plug.
- Do not abrade, crush, jerk, or otherwise abuse or misuse the power supply cord. Protect it from heat, oil and sharp edges.
- If the power supply cord becomes damaged, have it replaced by an authorized STIHL servicing dealer before use. A damaged power supply cord must be replaced with an identical STIHL replacement part.
- Unplug the power supply cord when the pressure washer is not in use.
- Never yank or jerk the power supply cord to disconnect. To unplug, grasp the plug, not the power supply cord.

- Make sure the power supply cord is positioned and secured or marked so that it will not be stepped on, tripped over, come in contact with sharp objects, moving parts, or otherwise be subjected to damage or stress.

- This power tool has a polarized plug (one blade is wider than the other). This plug will fit in a polarized electrical outlet only one way. To reduce the risk of electric shock:
 - Do not change the plug in any way.
 - If the plug does not fit fully in the outlet, reverse the plug. If it still does not fit, use a different outlet or contact a qualified electrician to install the proper outlet.

5.7 Connecting the Water Supply

WARNING

- When the spray gun trigger is released, fluid recoil may push non-potable water back into the potable water system.




- Do not connect the pressure washer directly to a potable water system.
- If hooking up the pressure washer to a potable water system, a backflow preventer must be installed between the water tap and the hose. The design of the backflow preventer must comply with all applicable water management codes and regulations in your area.

- If potable water has passed through the backflow preventer, it can no longer be regarded as potable water. To prevent contamination of potable water:
 - Follow the rules laid down by the local water supply company to prevent water flowing back from the pressure washer into the drinking water main.
 - Do not use the pressure washer with dirty water (i.e., water that contains sand, dirt or other particulate matter). If there is a risk that the water supply is dirty, use an appropriate water filter or find an alternative water source.

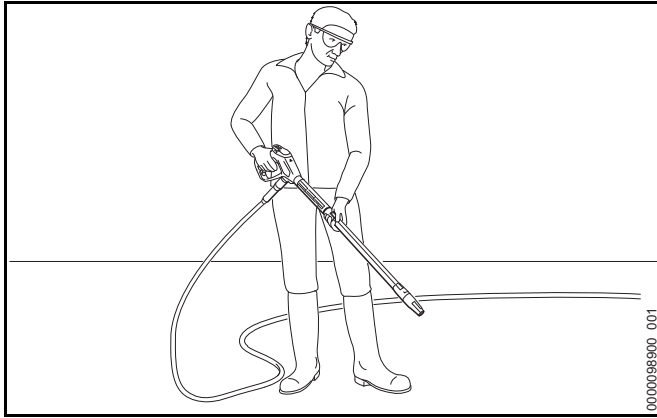
5.8 Using the Pressure Washer

5.8.1 Before Operation

⚠ WARNING

- Misuse or unauthorized use may result in personal injury and property damage.
 - Use the pressure washer only as described in this instruction manual.
- Using a pressure washer that is modified, damaged, improperly adjusted or maintained, or not completely and securely assembled can lead to a malfunction and increase the risk of serious personal injury or death.
 - Never operate a pressure washer that is modified, damaged, improperly maintained or not completely and securely assembled.
 - Always check your pressure washer for proper condition and operation before starting work, particularly the spray gun trigger and retaining latch.
 - Ensure that the spray gun trigger and retaining latch move freely. The spray gun trigger must not engage until the retaining latch is moved to the unlocked position.
 - Never attempt to modify or override the controls or safety devices in any way.
- If your pressure washer or any part is damaged or does not function properly, take it to your authorized STIHL servicing dealer. Do not use the pressure washer until the problem has been corrected.
- Before connecting the pressure washer to the power supply:
 - Read and follow the instructions on switching on the pressure washer,  10.1.
 - Ensure that the high-pressure hose is in good condition and not frayed, cracked, deformed or damaged in any way. Never operate the machine with a damaged or worn high-pressure hose.
- To help reduce the risk of serious personal injury or death from unintentional starting:
 - Never carry the pressure washer with your finger on the spray gun trigger.
 - Switch off the pressure washer, relieve system pressure, lock the spray gun trigger and disconnect from the power supply before assembling, inspecting, cleaning, maintaining or servicing the pressure washer.
 - Always switch off the pressure washer, relieve system pressure and lock the spray gun trigger before attempting to remove the high pressure hose or spray lance from the spray gun.
 - Always switch off the pressure washer, relieve system pressure and lock the spray gun trigger before attempting to adjust or change a spray nozzle or other accessory.
 - Never leave the pressure washer unattended when it is connected to the power supply.

5.8.2 Holding and Controlling the Pressure Washer



▲ WARNING

- To maintain a firm grip and properly control your pressure washer:
 - Keep the spray attachment clean at all times. Keep it free of pitch, oil, grease and resin.
- To reduce the risk of serious or fatal injuries to the operator or bystanders from loss of control:
 - Always hold the spray attachment firmly with both hands when you are working.
 - Wrap your fingers tightly around the spray gun and spray lance.
 - Position the spray attachment in such a way that all parts of your body are clear of the water jet.
 - Position the power supply cord so that it will not be damaged while working with the pressure washer.
 - Always keep the power supply cord behind the operator and away from the water jet. Don't let the power supply cord become entangled with obstacles or objects.
- Operating the pressure washer with one hand is extremely dangerous. One-handed operation makes it difficult to oppose and absorb reactive forces (recoil) without losing

control of the pressure washer. To reduce the risk of serious or fatal injury to the operator or bystanders from loss of control:

- Never attempt to operate the pressure washer with one hand.
- Because of the high pressure and spray velocity, fluids can penetrate the skin and cause fluid injection and/or severe injury. To reduce the risk of serious or fatal injuries to the operator or bystanders from loss of control, keep proper footing and balance at all times:
 - Take special care in overgrown or wet terrain and always watch for hidden obstacles such as tree stumps, roots, rocks, holes and ditches to avoid stumbling or falling.
 - Know where the power supply cord and water hoses are at all times to avoid tripping or stumbling.
 - Be extremely cautious when working on slopes or uneven ground.
- To reduce the risk of injury from loss of control:
 - Never work on a ladder, roof, in a tree or while standing on any other insecure support.
 - Never operate the pressure washer above shoulder height.
 - Do not overreach. Keep proper footing and balance at all times.

5.8.3 Working Conditions

▲ WARNING

- Operate your pressure washer only under good visibility during favorable daylight conditions.
 - Postpone the work if the weather is windy, foggy, rainy or inclement.
- Your pressure washer is a one-person machine.
 - Do not allow other persons in the general work area.
 - Bystanders, especially children, and animals should not be allowed in the area where it is in use.

- Switch off the motor immediately if you are approached.
- To reduce the risk of injury to bystanders and unauthorized users:
 - Never leave the pressure washer unattended when it is connected to the power supply.
 - Switch off the pressure washer and disconnect from the power supply during work breaks and any other time the pressure washer is not in use.
- Sparks generated from the operation of the pressure washer may be capable of igniting combustible gases, liquids, vapors, dusts or other combustible materials and substances. To reduce the risk of fire and explosion:
 - Never operate the pressure washer in a location where combustible gases, liquids, vapors, dusts or other combustible materials and substances are present.
 - Read and follow recommendations issued by government authorities (e.g., CCOHS) for identifying and avoiding the hazards of combustible gases, liquids, vapors, dusts or other combustible materials and substances.
- Spraying certain materials with the water jet may produce dust or a mist containing particulate matter capable of causing respiratory disease, cancer, birth defects and other serious harm.
 - Never spray any surface containing lead paint.
 - Never spray asbestos-containing materials such as asbestos cement or asbestos siding. Hazardous, breathable asbestos fibers may be released in addition to the dirt.
 - Consult governmental agencies such as ECCC, CCOHS and PHAC and other authoritative sources on hazardous materials if you are unfamiliar with the risks associated with the particular substances you are spraying.
- Inhalation of certain dusts, especially organic dusts such as mold or pollen, can cause susceptible persons to have an allergic or asthmatic reaction. Substantial or repeated

inhalation of dust or other airborne contaminants, especially those with a smaller particle size, may cause respiratory or other illnesses.

- Control dust and mists at the source where possible.
- To the extent possible, operate the pressure washer so that the wind or operating process directs any dust, mist or other particulate matter raised by the pressure washer away from the operator.
- When respirable dust or other particulate matter cannot be kept at or near background levels, always wear a respirator that is approved by PHAC and rated for worksite-specific conditions. Follow the recommendations of governmental authorities (e.g., CCOHS/PHAC) and occupational and trade associations.
- Breathing asbestos dust is dangerous and can cause severe or fatal injury, respiratory illness or cancer, including mesothelioma. The use and disposal of asbestos-containing products is strictly regulated by CCOHS and ECCC.
 - Stop work immediately and contact the relevant state and local authorities and/or ECCC, your employer or local CCOHS representative if you have reason to believe that you might be disturbing asbestos.

5.8.4 Operating Instructions

WARNING

- In the event of an emergency:
 - Switch off the motor immediately and disconnect the pressure washer from the power supply.
- To reduce the risk of fire/explosion resulting in serious or fatal injury or property damage:



– Never spray flammable or combustible liquids.



– Never draw fluids into the pump that contain solvents or undiluted acids (e.g., gasoline, heating oil, paint thinner or acetone).

- Because of the high pressure and spray velocity, fluids can penetrate the skin and cause fluid injection and/or severe injury.



– Do not direct the high-pressure jet toward yourself or other persons, not even to clothing or shoes.

– Do not direct the high-pressure jet toward animals.



– Keep hands, feet and other parts of your body away from the water jet at all times.

- Do not direct the high-pressure jet into places you cannot see.
 - Switch off the pressure washer, relieve system pressure and lock the spray gun trigger before changing or adjusting any spray nozzle or accessory.
 - If an accident does occur and the spray appears to have penetrated the skin, seek emergency medical care. Do not treat as a simple cut.
- To reduce the risk of property damage or serious personal injury:
 - Start work at the greatest effective distance from the surface being cleaned. Do not move so close that the surface is damaged by the force of the spray.
 - Be especially careful when spraying softer materials such as fabric.
 - Use caution when directing spray toward fragile materials such as glass. It could shatter.

- This pressure washer was designed for use with water alone or with a detergent specifically designed and approved for use with pressure washers. Use of unsuitable detergents or cleaning agents can cause personal injury and damage the pressure washer and/or the surface being cleaned.
 - Always use the detergent in the dosage specified in the detergent manufacturer's instructions for proper preparation and dilution, as well as safe use and disposal.
- Chemical detergents may contain harmful (toxic, caustic, irritant), flammable or explosive substances. They are potentially harmful and can cause skin and eye irritation, chemical burns and other serious personal injury.
 - Avoid contact with skin and eyes.
 - In the event of accidental contact, immediately rinse the contact area thoroughly with plenty of clean water.
 - If fluid gets into your eye(s): Do not rub. Rinse water over the open eye(s) for at least 15 minutes and seek medical attention.
- Running the pressure washer without water will cause the pump to overheat, which may result in permanent damage.
 - Always connect and turn on the water supply to the pump before starting the motor.
 - Do not operate the pressure washer without water.

WARNING

- To reduce the risk of short-circuiting, fire and electrocution:
 - Never direct the high-pressure jet toward the pressure washer itself or any of its components.



– Do not direct the spray at electrical appliances and equipment, sockets or power cords.



- Never spray near electrical outlets or other power sources.
- Never use your pressure washer if the casing around the motor is cracked or damaged.

6 Maintenance, Repair and Storage

6.1 Warnings and Instructions

⚠ WARNING

- There are no user-authorized repairs for the pressure washer. To reduce the risk of fire, electric shock or other personal injury and property damage:
 - Users may carry out only the cleaning and maintenance operations described in this manual.
 - Strictly follow the cleaning and maintenance instructions in the appropriate sections of this instruction manual.
 - STIHL recommends that all repair work be performed by authorized STIHL servicing dealers.
- Unintentional starting may result in personal injury or property damage. To reduce the risk of personal injury and property damage from unintentional starting:
 - Switch off the pressure washer, disconnect it from the power supply, turn off the water supply and squeeze the spray gun trigger until the pressure in the system has been fully released. Then, lock the spray gun trigger before inspecting the pressure washer or carrying out any cleaning, maintenance or repair work, before storing, and any other time it is not in use.
- This electric pressure washer is double-insulated. In such an appliance, two systems of insulation are provided as protection against electric shock. No grounding means are provided, nor should means for grounding be added to the

appliance. Servicing a double-insulated appliance requires extreme care and knowledge of the system, and should be done only by qualified service personnel.

- Use of parts that are not authorized or approved by STIHL may cause serious or fatal injury or property damage.
 - STIHL recommends that only identical STIHL replacement parts be used for repair or maintenance.
 - If using a replacement or accessory high-pressure hose, ensure that it is rated for the maximum PSI of the pressure washer.
 - If using a replacement spray gun or lance, or any other spray accessory, ensure that it is rated for the maximum PSI of the pressure washer.
- To reduce the risk of electric shock:
 - Ensure that the insulation of the power supply cord and plug are in good condition and show no signs of aging (brittleness), wear or damage.
 - Never use your pressure washer if the casing around the motor is cracked or damaged.

MOVING AND STORAGE INSTRUCTIONS

⚠ WARNING

- Improper storage can result in unauthorized use, damage to the pressure washer and an increased risk of fire, electric shock and other personal injury or property damage.
 - Disconnect the pressure washer from the power supply before storing.
 - Never store the pressure washer with the plug of the power supply cord connected to an electrical outlet.
 - Store the pressure washer indoors in a dry, secure place that cannot be accessed by children or other unauthorized users.



- Drain the detergent spray set or secure it so that it cannot topple over or spill.



- Do not allow the unit to be used or stored in freezing temperatures.
- If the pressure washer must be transported or stored in freezing conditions, the pump must be filled with antifreeze to prevent cracking due to water expansion, 12.2.

SAVE THESE INSTRUCTIONS!

7 Before Starting Work

7.1 Preparing the Pressure Washer for Operation

Before starting work:

- ▶ Clean the water filter, if necessary, 15.4.
- ▶ Place the pressure washer on flat and firm ground or other solid surface in an open area.
- ▶ Connect the high-pressure hose, 8.2.1.
- ▶ Connect the spray gun and lance, 8.3.1.
- ▶ Insert the spray nozzle, 8.4.1.
- ▶ If desired, add detergent, 11.2.
- ▶ Connect the water supply, 9.
- ▶ Connect the power supply cord to a properly installed electrical outlet that matches the voltage and electrical frequency stated on the pressure washer's rating plate.

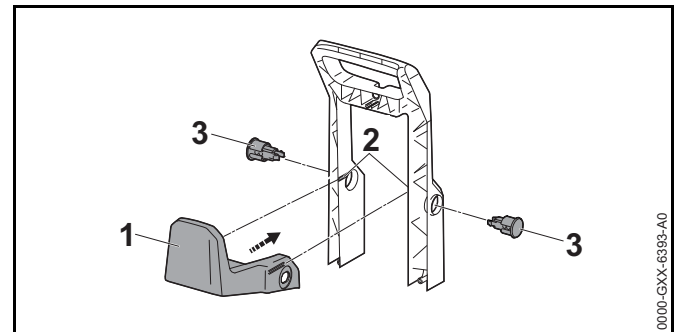
8 Assembling the Pressure Washer

8.1 Assembling Parts and Accessories

WARNING

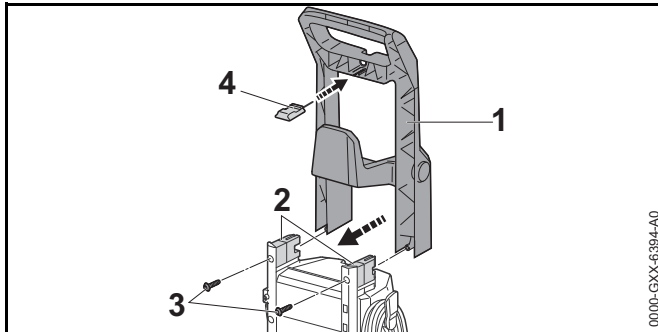
To reduce the risk of severe injury from high-pressure spray, always switch off the pressure washer, shut off the water supply, relieve any remaining pressure in the system and lock the spray gun trigger before attempting to assemble the pressure washer or spray attachment.

Bracket for High-Pressure Hose



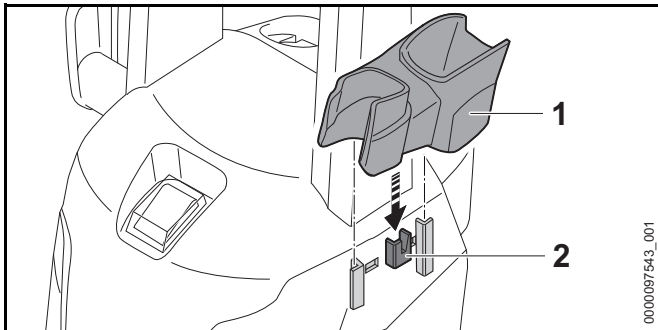
- ▶ Place the bracket (1) in the guides (2) until it audibly engages.
- ▶ Attach the bracket with the two plugs (3).

Pushbar



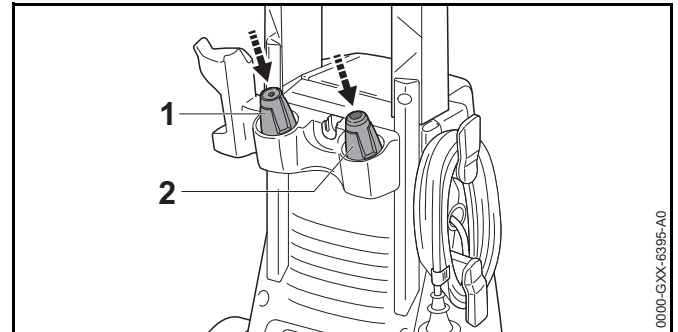
- ▶ Slide the pushbar (1) onto the frame (2) and tighten the screws (3).

Holder for Spray Gun



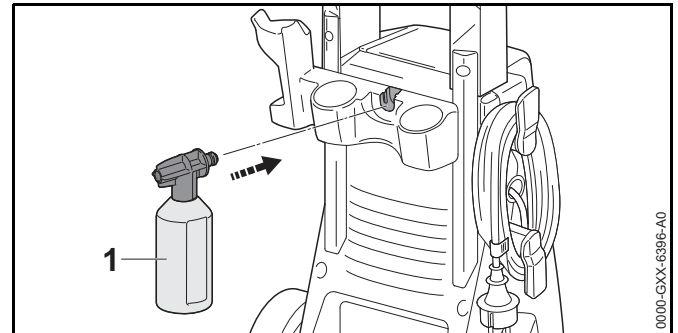
- ▶ Slide the holder (1) into the guide (2).

Nozzles



- ▶ Insert the fan-jet nozzle (2) and rotary-jet nozzle (1).

Detergent Spray Set



- ▶ Mount the detergent spray set (1).


8.2 Connecting and Removing the High-Pressure Hose

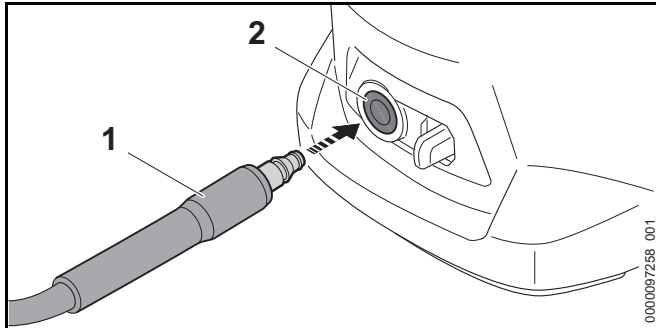
8.2.1 Connecting the High-Pressure Hose

WARNING

Before starting assembly, switch off the pressure washer, disconnect the unit from the power supply and ensure all pressure is released from the system to reduce the risk of injury from unintended spraying.

To connect the high-pressure hose:

- ▶ Switch off the pressure washer,  10.2.
- ▶ Disconnect the pressure washer from the power supply.
- ▶ Shut off the water supply.
- ▶ Remove all sand and debris from the connections and couplings.




- ▶ Push the high-pressure hose (1) into the pressure washer (2).
- ▶ If the high-pressure hose is difficult to push into the coupling, apply a food-safe fitting grease to the sealing surface on the high pressure hose.

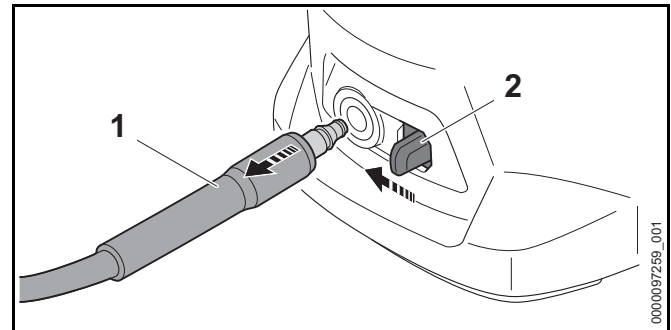
8.2.2 Removing the High-Pressure Hose

WARNING

To reduce the risk of severe injury from high-pressure spray, always switch off the pressure washer, shut off the water supply, relieve any remaining pressure in the system and lock the spray gun trigger before attempting to remove the high-pressure hose from the pump or spray gun.

To remove the high-pressure hose:

- ▶ Switch off the pressure washer,  10.2.
- ▶ Disconnect the pressure washer from the power supply.
- ▶ Shut off the water supply.
- ▶ Pull the spray gun trigger to relieve pressure.
- ▶ Lock the spray gun trigger.




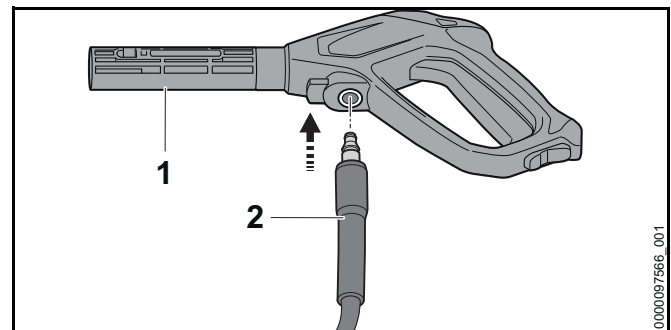
- ▶ Press down and hold the locking lever (2).
- ▶ Pull out the high-pressure hose (1).

8.3 Spray Gun and Lance

8.3.1 Connecting the Spray Gun and Lance

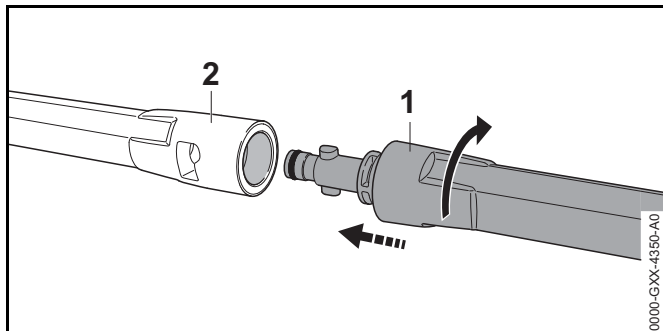
To connect the spray gun and lance:

- ▶ Switch off the pressure washer,  10.2.
- ▶ Disconnect the pressure washer from the power supply.
- ▶ Shut off the water supply.
- ▶ Lock the spray gun trigger.
- ▶ Remove all sand and debris from the connections and couplings.



- ▶ Push the high-pressure hose (2) into the spray gun (1).

- ▶ If the high-pressure hose is difficult to push into the spray gun, apply a food-safe fitting grease to the sealing surface on the high pressure hose.



- ▶ Attach the spray lance (1) to the spray gun (2).
- ▶ Push the spray lance (1) as far as it will go into the spray gun (2).
- ▶ Once inserted, turn the spray lance clockwise until it engages.
- ▶ If the spray lance is difficult to insert into the spray gun, apply a food-safe fitting grease to the sealing surface on spray gun.

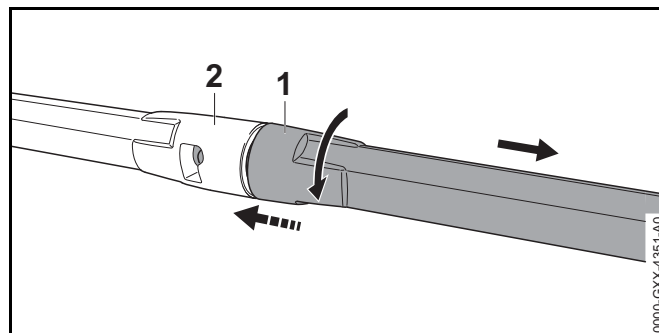
8.3.2 Removing the Spray Gun and Lance

⚠ WARNING

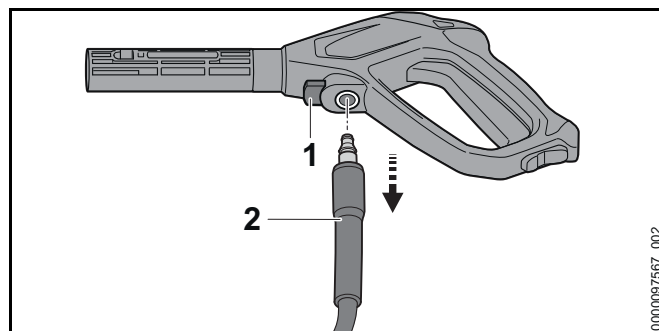
To reduce the risk of severe injury from high-pressure spray, always switch off the pressure washer, shut off the water supply, relieve any remaining pressure in the system and lock the spray gun trigger before attempting to remove or disassemble the spray gun or lance.

To remove the spray gun and lance:

- ▶ Switch off the pressure washer, 10.2.
- ▶ Disconnect the pressure washer from the power supply.
- ▶ Shut off the water supply.
- ▶ Pull the spray gun trigger to relieve pressure.
- ▶ Lock the spray gun trigger.



- ▶ Press the spray lance (1) against the spray gun (2) and pull out the spray lance(1).



- ▶ Press down and hold the locking lever (1).
- ▶ Pull out the high-pressure hose (2) .

8.4 Inserting and Removing the Spray Nozzle

8.4.1 Inserting the Spray Nozzle

⚠ WARNING


To reduce the risk of severe injury from unintended spraying, switch off the pressure washer, relieve system pressure and lock the spray gun trigger before attempting to adjust or change a spray nozzle or other accessory.

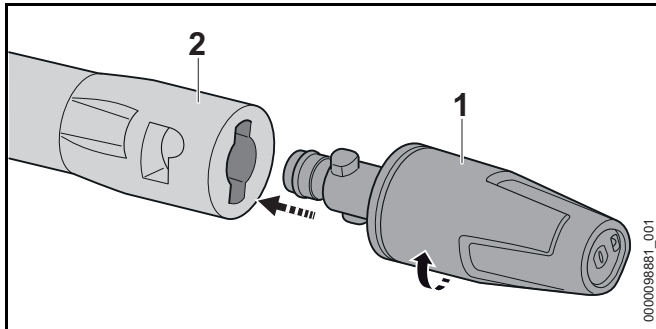
⚠ WARNING

If the high-pressure nozzle is not secure, it can fly out of the spray lance during operation and cause injury. Confirm that the nozzle is fixed securely in the quick-connect coupling.

The pressure washer is offered with two high-pressure nozzles that can be connected to the spray lance.

To insert the spray nozzle:

- ▶ Switch off the pressure washer,  10.2.
- ▶ Pull the spray gun trigger to relieve pressure.
- ▶ Lock the spray gun trigger.
- ▶ Remove all sand and debris from the connections and couplings.




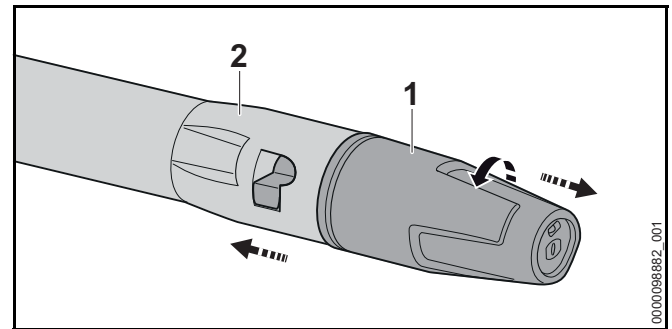
- ▶ Attach the high pressure nozzle (1) to the spray lance (2).
- ▶ Push the high pressure nozzle (1) as far as it will go into the spray lance (2).
- ▶ Once inserted, turn the high pressure nozzle clockwise until it engages.
- ▶ If the high pressure nozzle is difficult to insert into the spray lance, apply a food-safe fitting grease to the sealing surface on spray lance.

8.4.2 Removing the Spray Nozzle**⚠ WARNING**

To reduce the risk of severe injury from unintended spraying, switch off the pressure washer, relieve system pressure and lock the spray gun trigger before attempting to adjust or change a spray nozzle or other accessory.

To remove the spray nozzle:

- ▶ Switch off the pressure washer,  10.2.
- ▶ Pull the spray gun trigger to relieve pressure.
- ▶ Lock the spray gun trigger.



- ▶ Press the high pressure nozzle (1) against the spray lance (2) and pull out the nozzle(1).

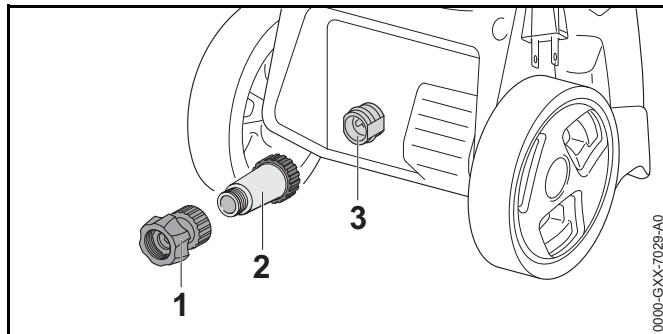
9 Connecting the Water Supply**9.1 Connecting the Pressure Washer to the Mains Water Supply****⚠ WARNING**

Make sure the pressure washer is switched off and disconnected from the power supply before connecting to or disconnecting from the mains water supply.

Connecting the water filter

If the pressure washer is to be operated with sandy water or with water from cisterns, a water filter must be connected in-line between the water hose and the pressure washer. The water filter filters sand and dirt out of the water and thus protects the components of the pressure washer from damage.

To connect the water filter:



- ▶ Unscrew the coupling (1).
- ▶ Screw the water filter (2) onto the connector (3) and tighten by hand.
- ▶ Screw the coupling (1) onto the water filter (2) and tighten by hand.

Connecting the Water Hose

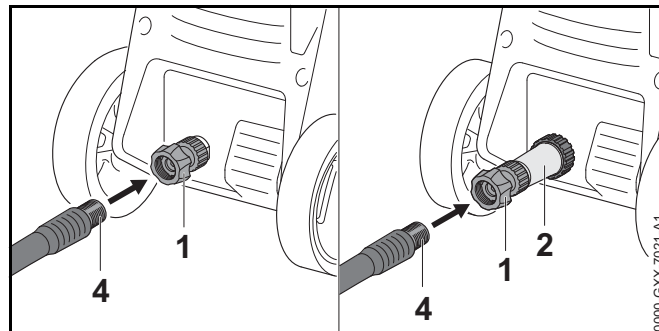
The water supply must meet the following requirements:

- Minimum length of water hose: 30 ft. (10 m)
- Maximum water inlet pressure: 145 psi (1 MPa / 10 bar)

To connect the pressure washer to the mains water supply:

- ▶ Switch off the pressure washer, 10.2.
- ▶ Disconnect the pressure washer from the power supply.
- ▶ Remove all sand and debris from the connections and couplings.
- ▶ Connect the water hose to the water supply.
- ▶ Fully open the tap to flush any sand or dirt from the hose.

- ▶ Shut off the water supply.




- ▶ STIHL recommends attaching the water filter (2). The water filter helps keep sand and dirt out of the pump, thereby helping to protect components from damage.
- ▶ Screw the coupling (1) onto the pressure washer or water filter (2) and tighten by hand.
- ▶ Connect the water hose (4).
- ▶ If the spray lance is attached to the spray gun: remove the spray lance.
- ▶ Turn on the water supply.
- ▶ Pull the spray gun trigger until a steady, even water jet is delivered from the spray gun.
- ▶ Switch off the pressure washer.
- ▶ Lock the spray gun trigger.
- ▶ Connect the spray lance.
- ▶ Insert the nozzle, 8.4.1.

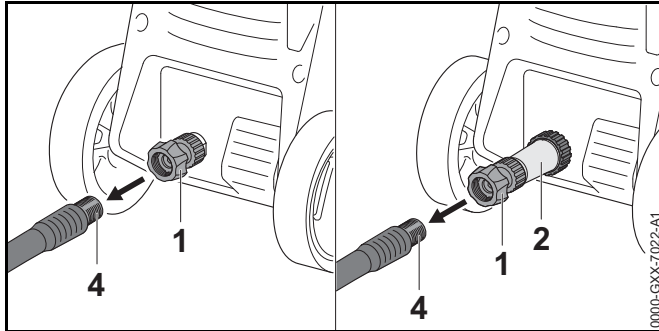
NOTICE

Running the pressure washer without water will cause the pump to overheat, which may result in permanent damage. Always connect and turn on the water supply to the pump before starting the motor. Do not operate the pressure washer without water.

Disconnecting the Water Hose

To disconnect the water hose:

- ▶ Switch off the pressure washer,  10.2.
- ▶ Disconnect the pressure washer from the power supply.
- ▶ Shut off the water supply.
- ▶ Pull the spray gun trigger to relieve pressure.
- ▶ Lock the spray gun trigger.



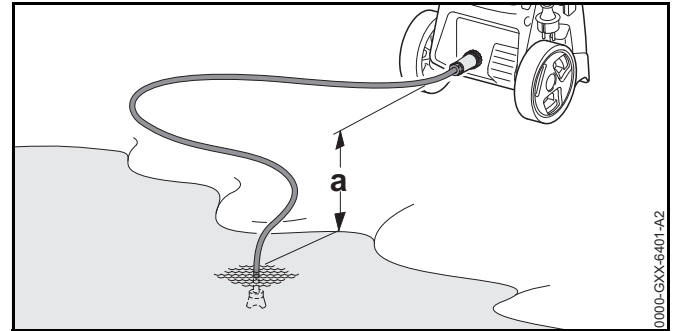
- ▶ Remove the water hose (4) from the coupling (1) onto the pressure washer or water filter (2).


9.2 Connecting the pressure washer to another water source

WARNING

Make sure the pressure washer is switched off and disconnected from the power supply before connecting to or disconnecting from another water source.

The pressure washer can draw water from water butts and cisterns and from running or stagnant bodies of water.



So that the water can be drawn in, the height difference between the pressure washer and the water source should not exceed the maximum suction lift (a),  18.1.

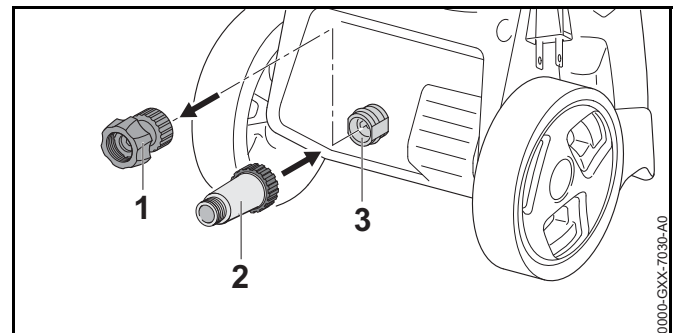
The appropriate STIHL suction set must be used. The suction set includes a water hose with a special coupling.

Depending on the market, the appropriate STIHL suction set may be supplied with the pressure washer.

Connecting the water filter

If operating the pressure washer with sandy water from water butts, cisterns or running or stagnant bodies of water, a water filter must be connected in-line between the water hose and the pressure washer.

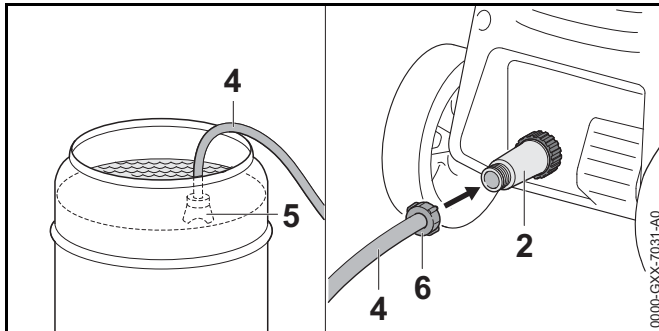
To connect the water filter:



- ▶ Unscrew the coupling (1).
- ▶ Screw the water filter (2) onto the connector (3) and tighten by hand.

Connecting the water hose

To connect the pressure washer to another water source:



- ▶ Fill the water hose (4) with water until there is no air left in the water hose.
- ▶ Screw the coupling (6) onto the water filter (2) and tighten by hand.
- ▶ Suspend the suction cup (5) in the water source so that the suction cup (5) does not touch the bottom.
- ▶ If the spray gun is attached to the high-pressure hose: remove the spray gun.
- ▶ Hold the high-pressure hose downward.
- ▶ Switch on pressure washer and run it until an even jet of water is delivered by the high-pressure hose.
- ▶ Switch off the pressure washer.
- ▶ Attach spray gun to the high-pressure hose.
- ▶ Squeeze and hold down spray gun trigger.
- ▶ Switch on the pressure washer.

10 Switching the Pressure Washer On and Off

10.1 Switching On

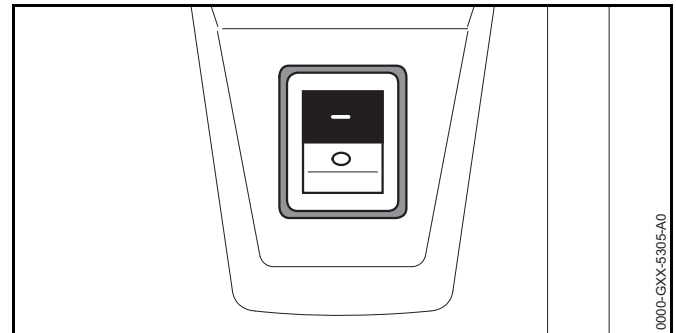
⚠ WARNING

Never operate your pressure washer if it is damaged, improperly adjusted or maintained, not completely and securely assembled or not functioning properly, 5.5. To reduce the risk of personal injury, always wear proper clothing and protective apparel, including proper eye protection, when operating your pressure washer, 5.4.

Before switching on:

- ▶ Make sure you have a secure and firm footing.
- ▶ Stand upright.
- ▶ Always hold and operate the pressure washer with one hand firmly on the spray gun and your other hand firmly on the spray lance. Always hold the pressure washer with two hands in this manner.

To switch the pressure washer on:



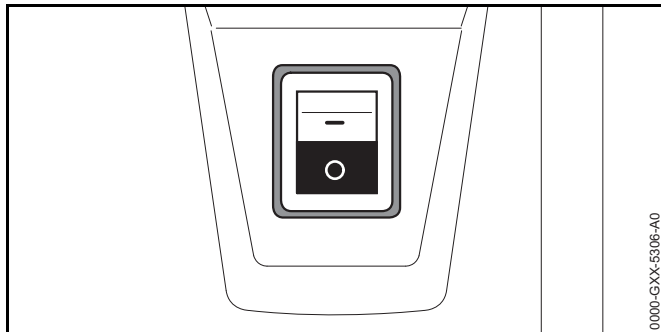
- ▶ Set the switch to the I position.

NOTICE

When the pressure washer is switched on, voltage fluctuations may occur under unfavorable mains conditions with a power line impedance greater than 0.15 Ohm. The voltage fluctuations may negatively affect other connected electrical appliances.

10.2 Switching Off

To switch the pressure washer off:



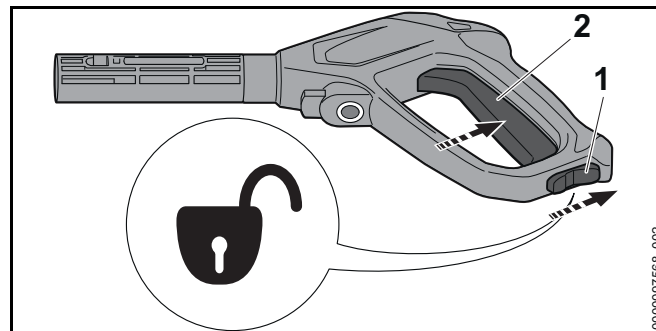
- ▶ Set the switch to the 0 position.


11 During Operation**11.1 Activating and Locking the Spray Gun Trigger**

The pressure washer is designed for two-handed operation.

Activating the spray gun trigger

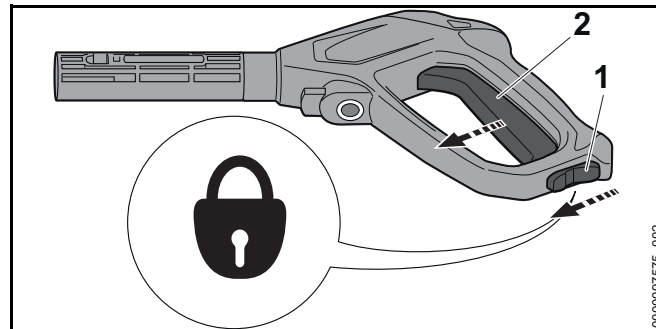
To pull the spray gun trigger:




- ▶ Slide the retaining latch (1) to the  position.
- ▶ Press and hold the spray gun trigger (2). The high-pressure pump starts up automatically and water flows out of the nozzle.

Locking the spray gun trigger

To lock the spray gun trigger:



- ▶ Release the spray gun trigger (2). The high-pressure pump switches off automatically when you release the spray gun trigger. Water stops flowing out of the nozzle but the pressure washer remains switched on.
- ▶ Slide the retaining latch (1) to the  position to lock the spray gun trigger.

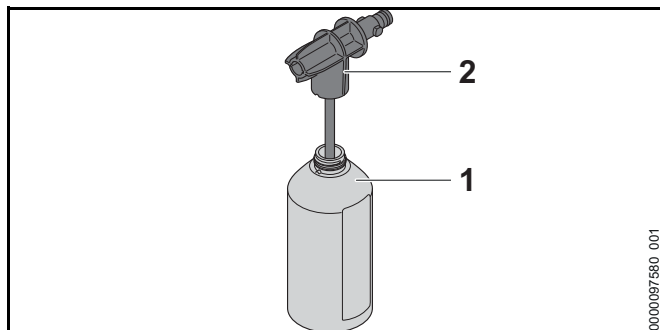
11.2 Adding Detergents

⚠ WARNING

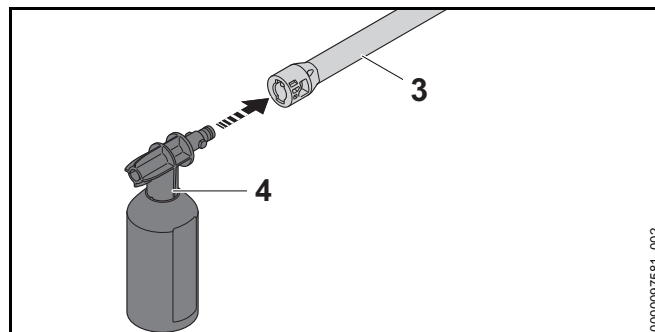
Use of unsuitable detergents or cleaning agents can damage the pressure washer or surface being cleaned and may result in personal injury. Always read and follow the detergent manufacturer's warnings and instructions regarding proper preparation, dilution, safe use and disposal.

Detergents can improve cleaning effectiveness.

Use the detergent spray set to add detergents:




- ▶ Always read and follow instructions provided by the manufacturer of the detergent before starting work.
- ▶ STIHL recommends soaking surfaces with water before applying detergent.
- ▶ Fill the detergent bottle (1) with up to 16.9 oz. (500 ml) of detergent.
- ▶ Screw the detergent nozzle (2) onto the detergent bottle and tighten firmly by hand.







- ▶ Attach the detergent spray set (4) to the spray lance (3).
- ▶ Spray the detergent onto the surface to be cleaned.
- ▶ When applying detergent, start at the bottom of the surface and work upwards. Do not allow the detergent to dry.

After applying detergent:


- ▶ Switch off the pressure washer,  10.2.
- ▶ Relieve system pressure.
- ▶ Lock the spray gun trigger.
- ▶ Remove the detergent spray set.
- ▶ Re-attach the fan-jet nozzle or rotary-jet nozzle.
- ▶ Spray the surface until it is clean and any remaining detergent is washed away.
- ▶ When rinsing off detergent, start at the top of the surface and work down.

11.3 Cleaning

⚠ WARNING

To reduce the risk of personal injury, never work with the pressure washer in the rain,  5.5. Always wear proper clothing and protective apparel, including proper eye protection, when operating your pressure washer,  5.4. Keep bystanders away from the work area,  5.8.4. Work carefully and maintain proper control of the pressure washer,  5.8.2.

⚠ WARNING

To reduce the risk of fluid injection and/or severe injury, keep hands, feet and other parts of your body away from the water jet at all times and never direct the high-pressure jet toward yourself or other persons, not even to clean clothing or shoes,  5.8.4. Do not direct the high-pressure jet toward animals.

Depending on the application, the following nozzles may be used:

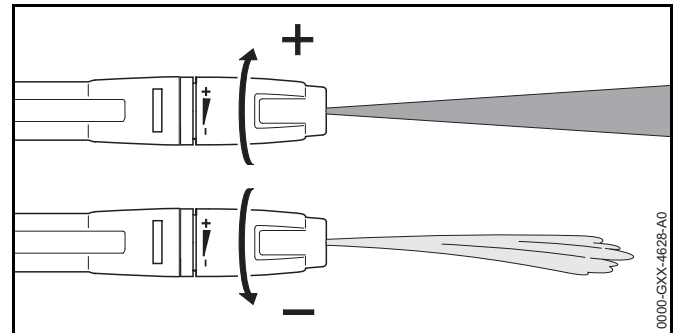
- Fan-jet nozzle: The fan-jet nozzle is designed for cleaning larger areas.
- Rotary-jet nozzle: The rotary nozzle is designed for removing stubborn dirt.
- ▶ If you want to remove stubborn dirt, reduce the distance between the nozzle and the surface.
- ▶ If you want to remove dirt from painted, wooden or other potentially sensitive surfaces, increase the distance between the nozzle and the surface.

To adjust the fan jet nozzle:

⚠ WARNING

To reduce the risk of injury from high-pressure spray, always switch off the pressure washer, relieve any remaining pressure in the system and lock the spray gun trigger before attempting to insert, adjust or remove the spray nozzle.

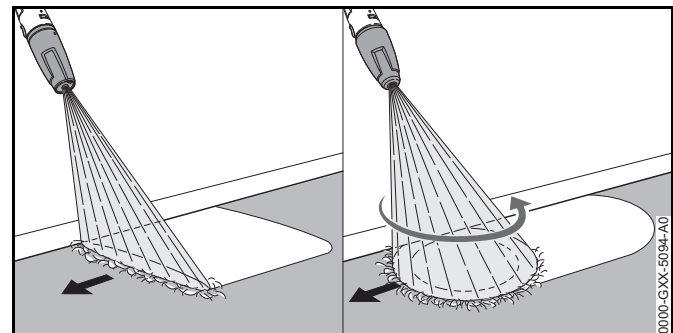
- ▶ Switch off the pressure washer.
- ▶ Relieve system pressure.
- ▶ Lock the spray gun trigger.



- ▶ Rotate the fan-jet nozzle in the (+) direction to increase the working pressure.
- ▶ Rotate the fan-jet nozzle in the (-) direction to reduce the working pressure.

To clean:

- ▶ Before starting work, direct the water jet at an inconspicuous area of the surface and check that the surface is not damaged.
- ▶ Work at a distance that allows you to effectively clean the surface without damaging it.
- ▶ Adjust the fan-jet nozzle and distance from the surface to be cleaned to ensure the surface will not be damaged by the spray.





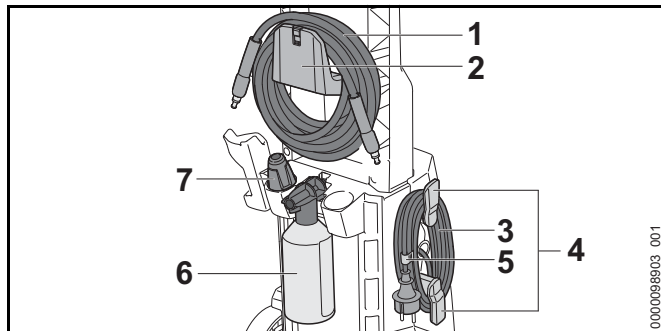
- ▶ Move the spray attachment evenly along the surface to be cleaned.
- ▶ Move forward slowly in a controlled manner.

12 After Finishing Work

12.1 Preparing for Transportation or Storage

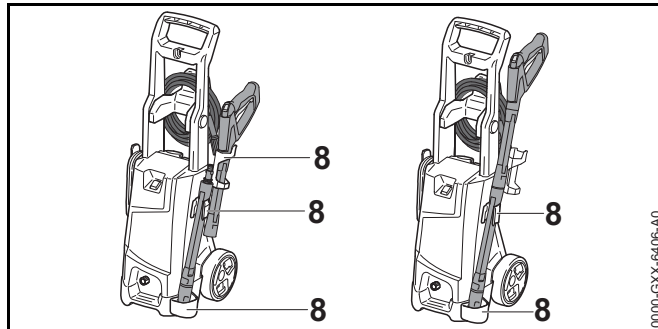
To prepare the pressure washer for transportation or storage:

- ▶ Switch off the pressure washer,  10.2.
- ▶ Disconnect the pressure washer from the power supply.
- ▶ Disconnect the pressure washer from the water supply.
- ▶ Press the spray gun trigger to relieve any remaining pressure in the system.
- ▶ Lock the spray gun trigger.
- ▶ Disconnect the water hose.
- ▶ Remove and clean the nozzle and spray lance.
- ▶ Remove the spray gun and let the rest of the water run out of the spray gun.
- ▶ If the pressure washer will be exposed to freezing temperatures, protect it with antifreeze or take other measures outlined below,  12.2.
- ▶ Clean the pressure washer.



- ▶ Wind up the high-pressure hose (1) and stow it on the bracket (2).
- ▶ Roll up the power supply cord (3) and hang it onto the brackets (4).
- ▶ Secure the power supply cord with the clip (5).
- ▶ Insert the detergent spray set (6).

- ▶ Insert the nozzle (7).






- ▶ Place the spray attachment in one of the holders (8).

12.2 Protecting the Pressure Washer in Winter Conditions

Removing Water from the System

To remove any remaining water from the system:

- ▶ Switch off the pressure washer,  10.2.
- ▶ Disconnect the pressure washer from the power supply.
- ▶ Shut off the water supply.
- ▶ Relieve system pressure.
- ▶ Remove the high-pressure hose,  8.2.2.
- ▶ Disconnect the water hose,  9.
- ▶ Drain the water out of the high-pressure hose and water hose.
- ▶ Connect the power supply cord to a properly installed electrical outlet that matches the voltage and electrical frequency stated on the pressure washer's rating plate.
- ▶ Switch on the pressure washer and let the pump run for up to 30 seconds until the water flow stops. Remaining water will be eliminated from the system.
- ▶ Switch off pressure washer and disconnect it from the power supply.

NOTICE

Freezing temperatures can damage components of the pressure washer. STIHL recommends storing the pressure washer indoors in a dry room where it is protected from freezing temperatures. Relieve all system pressure and make sure all water is eliminated from the pump system and hoses before storing.

Protecting the Pressure Washer with Antifreeze**⚠ WARNING**

When using antifreeze to protect your pressure washer in winter conditions, observe all warnings and instructions provided by the manufacturer to reduce the risk of environmental contamination or severe personal injury from ingestion.

If the pressure washer is to be exposed to freezing temperatures, it should be protected by a glycol-based antifreeze. The antifreeze prevents water inside the pressure washer from freezing and causing damage to the pressure washer.

To protect the pressure washer with antifreeze:

- ▶ Drain the water out of the high-pressure hose.
- ▶ Disconnect the spray lance from the spray gun.
- ▶ Connect the shortest possible water hose to the pressure washer. The shorter the water hose, the less antifreeze is needed.
- ▶ Point the spray lance downward and wait until all the water has flowed out of the system.
- ▶ Pour antifreeze into a clean container.
- ▶ Connect a suction hose to the water inlet of the high-pressure pump and place the other end of the hose in the container of antifreeze.
- ▶ Squeeze and hold the spray gun trigger.
- ▶ Switch on the pressure washer.
- ▶ Hold down the spray gun trigger until an even jet of antifreeze is delivered from the spray gun. Keep the spray gun into the container and follow the antifreeze supplier's instructions for avoiding environmental release.

- ▶ Press and release spray gun trigger several times.
- ▶ Switch off the pressure washer and disconnect it from the power supply.
- ▶ Detach the spray gun, high-pressure hose and water hose and allow antifreeze to run into the container.
- ▶ Collect and dispose of the antifreeze in accordance with the manufacturer's specifications and all federal, state and local laws, regulations and ordinances.

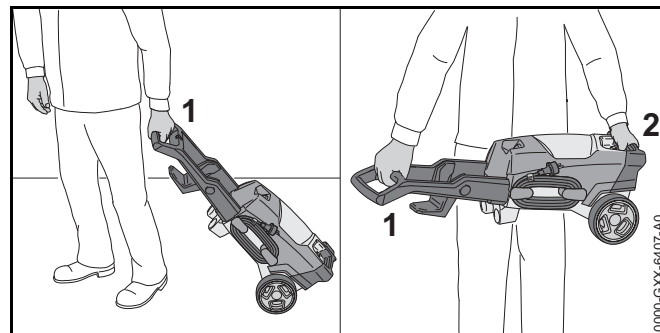
NOTICE

Freezing temperatures can damage components of the pressure washer. STIHL recommends storing the pressure washer indoors in a dry room where it is protected from freezing temperatures. Relieve all system pressure and make sure all water is eliminated from the pump system and hoses before storing.

13 Transporting

13.1 Transporting the Pressure Washer

When transporting the pressure washer:





- ▶ Pull the pressure washer by the pushbar (1) with one hand, or carry the pressure washer by the pushbar (1) and carrying handle (2).

- ▶ When transporting the pressure washer in a vehicle, ensure that the pressure washer is standing upright, lying on its back, secured with lashing straps, belts or a net and cannot topple over or move.



14 Storing

14.1 Storing the Pressure Washer

! WARNING

Store the pressure washer indoors in a dry, secure place that is inaccessible to children and other unauthorized users,  5.5. Improper storage can result in unauthorized use and damage to the pressure washer,  5.5.

When storing the pressure washer for three months or longer:

- ▶ Clean the pressure washer,  15.1.
- ▶ Store the pressure washer indoors in a dry and secure location, out of the reach of children and other unauthorized persons.
- ▶ If the pressure washer cannot be stored in a room where it is protected from freezing temperatures, protect the pressure washer as outlined above,  12.2.


NOTICE

Freezing temperatures can damage components of the pressure washer. STIHL recommends storing the pressure washer indoors in a dry room where it is protected from freezing temperatures. Relieve all system pressure and make sure all water is eliminated from the pump system and hoses before storing.

15 Cleaning

15.1 Cleaning the Pressure Washer

! WARNING

Before carrying out any of the cleaning work specified in this chapter  6, take certain measures to reduce the risk of personal injury from unintended activation: switch off the pressure washer and disconnect the unit from the power supply. Relieve all system pressure by pulling the trigger switch and lock the spray gun trigger.

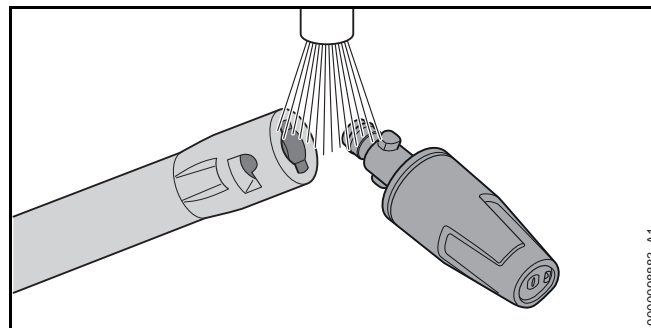
To clean the pressure washer:

- ▶ Clean the pressure washer's polymer components, couplings and connectors with a slightly dampened cloth. Do not use abrasives or solvents that may damage the pressure washer's polymer components.
- ▶ Do not use a pressure washer to clean the unit or otherwise spray it with water or other liquids.

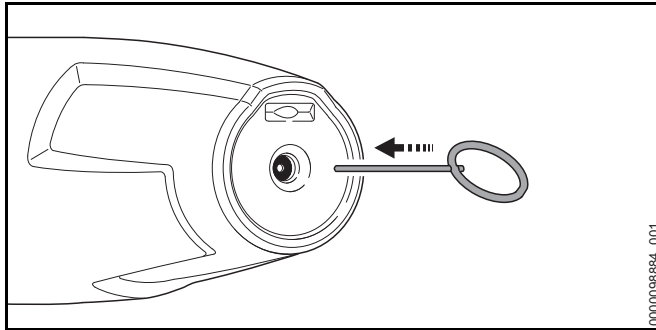
15.2 Cleaning the Nozzle and Spray Lance

A clogged high pressure nozzle can cause excessive pressure to build in the pump. Clean the high-pressure nozzle if it becomes clogged.

To clean the nozzle and spray lance:



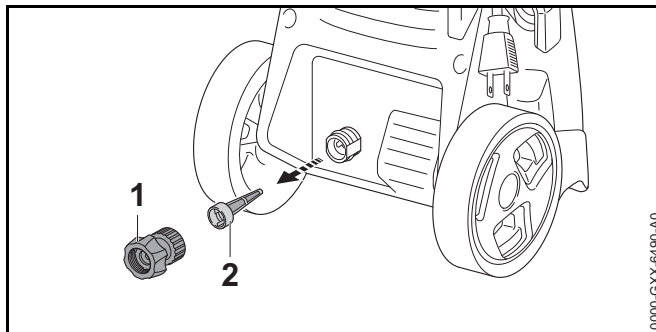
- ▶ Rinse the nozzle and spray lance under running water and dry them with a cloth.



- ▶ If the nozzle is blocked, use the cleaning needle to clear the opening.

15.3 Cleaning the Water Intake Screen

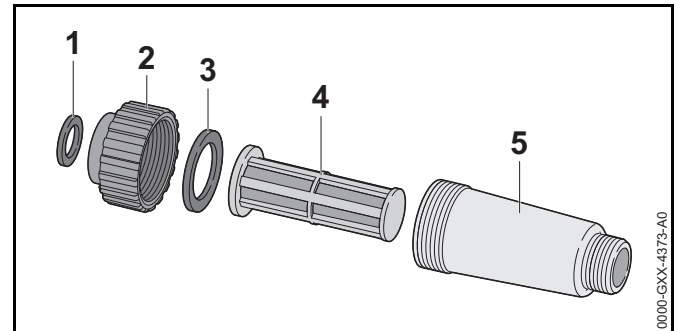
To clean the water intake screen:



- ▶ Unscrew the coupling (1).
- ▶ Pull out the water intake screen (2).
- ▶ Rinse the water intake screen under warm running water.
- ▶ Re-insert the water intake screen.
- ▶ Screw on the coupling and tighten it by hand.

15.4 Cleaning the Water Filter





To clean the water filter:



- ▶ Remove the gasket (1) from the fastener (2).
- ▶ Unscrew the fastener from the filter housing (5).
- ▶ Remove the gasket (3) from the fastener.
- ▶ Remove the filter element (4) from the filter housing.
- ▶ Rinse the gaskets, the fastener and filter under warm running water.
- ▶ Grease the gaskets with food-safe fitting grease.
- ▶ Re-assemble the water filter.


16 Inspection and Maintenance

16.1 Inspection and Maintenance Chart

The following maintenance intervals are examples and apply for normal operating conditions. Actual use and your experience will determine the frequency of required inspection and maintenance.		Before starting work	After finishing work or daily	Weekly	Relevant Chapter
Complete Machine	Visual inspection	X			
	Clean		X		 15.1
Connectors on high-pressure hose	Clean		X		
Coupling on the spray lance and spray gun	Clean	X			 15.2
Water intake screen at inlet of high-pressure pump	Clean			X	 15.3
High-pressure nozzle	Clean		X		 15.2

16.2 Inspecting and Maintaining the Pressure Washer

! WARNING

Before carrying out any of the maintenance work specified in this chapter  6, take certain measures to reduce the risk of personal injury from unintended activation: switch off the pressure washer and disconnect the unit from the power supply. Relieve all system pressure and lock the spray gun trigger.

Proper maintenance of the pressure washer includes the following activities:

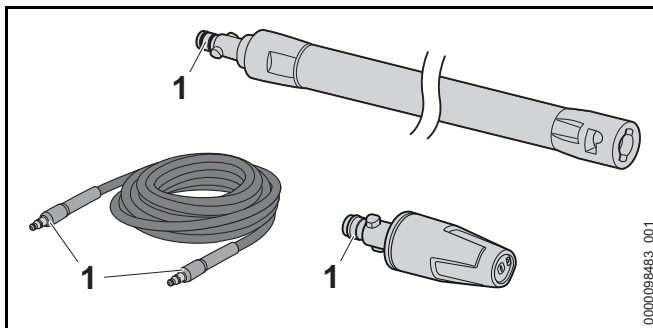
- ▶ Inspecting hoses, couplings, connectors and gaskets periodically and having a worn component replaced.
- ▶ Having worn, missing or damaged safety labels replaced by an authorized STIHL servicing dealer.

The pump is pre-filled with pump oil and does not require replacement or maintenance.

If you make a warranty claim for a component that has not been serviced or maintained properly, coverage may be denied.

16.3 Lubricating the Gaskets

To lubricate the gaskets:





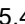



- ▶ Grease the gaskets (1) with food-safe fitting grease.


17 Troubleshooting Guide

17.1 Pressure Washer

Before troubleshooting, switch off the pressure washer and disconnect the unit from the power supply. Relieve all system pressure by pulling the trigger switch. Lock the spray gun trigger.

Condition	Possible Cause	Remedy
The pressure washer does not start although the spray gun trigger is pulled.	The power supply cord is not connected to an electrical outlet.	▶ Connect the power supply cord to a properly installed electrical outlet.
	The electric motor is too warm.	▶ Allow the pressure washer to cool at ambient temperatures for approximately 5 minutes. ▶ Clean the nozzle,  15.2.
The pressure washer does not start when switched on. The electric motor hums.	The mains voltage is too low.	▶ Pull and hold the spray gun trigger and switch on the pressure washer. ▶ Switch off other loads connected to the same electrical circuit.
The pressure washer switches off while in operation.	The power supply cord is not connected to an electrical outlet.	▶ Connect the power supply cord to a properly installed electrical outlet.
	The electric motor is too warm.	▶ Allow the pressure washer to cool at ambient temperatures for approximately 5 minutes. ▶ Clean the nozzle,  15.2.
The high-pressure pump repeatedly switches on and off without pulling the spray gun trigger.	There is a leak in the high-pressure pump, high-pressure hose or spray attachment.	▶ Have the pressure washer inspected and repaired by an authorized STIHL servicing dealer.
The water pressure fluctuates or drops.	There is not enough water.	▶ Open the water tap fully. ▶ Make sure that a sufficient quantity of water is available.
	The nozzle is blocked.	▶ Clean the nozzle,  15.2.
	The water intake screen or water filter is blocked.	▶ Clean water intake screen and water filter,  15.3 and  15.4.
	The high-pressure pump, high-pressure hose or spray attachment is leaking or faulty.	▶ Ask a STIHL servicing dealer to inspect the pressure washer.
The shape of the water jet has changed.	The nozzle is blocked.	▶ Clean the nozzle,  15.2.

Before troubleshooting, switch off the pressure washer and disconnect the unit from the power supply. Relieve all system pressure by pulling the trigger switch. Lock the spray gun trigger.

Condition	Possible Cause	Remedy
Detergent is not being drawn in.	The nozzle is worn.	▶ Insert a new nozzle.
	The detergent container is empty.	▶ Fill the container with detergent.
The connections of the pressure washer, high-pressure hose, spray gun or spray lance are stiff.	The nozzle of the detergent spray set is blocked.	▶ Clean nozzle of the detergent spray set.
	The gaskets of the connections have not been greased.	▶ Grease the gaskets.  16.3

18 Specifications

18.1 STIHL RE 90.0

For household use.

- Weight with spray attachment and high-pressure hose: approximately 17.7 lbs (8 kg)

Electrical

- Fuse (characteristic "C" or "D" based on UL 489): 15 A
- Mains voltage: 120 V
- Frequency: 60 Hz
- Rated current: 13 A
- Insulation: Class II (Double Insulation)

High-Pressure Pump

- Rated Pressure: 1050 psi (7.2 MPa / 72 bar)
- Maximum Pressure: 1450 psi (10 MPa / 100 bar)
- Minimum water throughput: 1.5 gpm (5.5 l/min)
- Maximum water throughput: 1.9 gpm (7.2 l/min)
- Maximum suction height from a tank: 1.6 ft. (0.5 m)
- Maximum water temperature in pressure mode: 104 °F (40 °C)

Water Supply

- Minimum length of water hose: 30 ft. (10 m)
- Minimum pressure: 14.5 psi (0.1 MPa / 1 bar)
- Maximum water inlet pressure: 145 psi (1 MPa / 10 bar)
- Maximum water temperature: 104 °F (40 °C)

Pressure-dependent data were measured at an inlet pressure of 0.3 MPa (44 psi).

18.2 Symbols on the Pressure Washer

Symbol	Explanation
A	Ampere
V	Volt
Hz	Hertz
kW	Kilowatt
t	Temperature
p	Pressure
Q	Water throughput
m	Weight



Spray gun trigger is locked.



Spray Gun trigger is unlocked.



Drain the detergent spray set before transport or secure it so that it cannot topple over and cannot move.



Certification/listing mark of Intertek.



STIHL products must not be disposed of in the household trash, but only in accordance with local, state and federal laws and regulations and as provided in this manual, 20.



Insulation: Class II (Double Insulation)


18.3 Engineering Improvements

STIHL's philosophy is to continually improve all of its products. As a result, engineering changes and improvements are made from time to time. Therefore, some changes, modifications and improvements may not be covered in this manual. If the operating characteristics or the

appearance of your machine differs from those described in this manual, please contact your STIHL dealer or the STIHL distributor in your area for assistance.

19 Replacement Parts and Equipment

19.1 Genuine STIHL Replacement Parts

STIHL recommends the use of genuine STIHL replacement parts. Genuine STIHL parts can be identified by the STIHL part number, the **STIHL** logo and, in some cases, by the STIHL parts symbol . The symbol may appear alone on small parts.

20 Disposal

20.1 Disposal of the Power Tool

STIHL products must not be thrown in household trash or disposed of except as outlined in this manual.

- ▶ Take the power tool, accessories and packaging to an approved disposal site for environmentally friendly recycling.
- ▶ Contact your authorized STIHL servicing dealer for the latest information on disposal and recycling.

Table des matières

1	Préface	39
2	Indications concernant la présente Notice d'emploi	40
2.1	Mentions d'avertissement	40
2.2	Symboles employés dans le texte	40
3	Principales pièces	41
3.1	Nettoyeur à pression	41
3.2	Outil de pulvérisation	42
4	Symboles de sécurité sur le produit	42
4.1	Nettoyeur à pression	42
5	CONSIGNES DE SÉCURITÉ IMPORTANTES	43
5.1	Avertissements et instructions de sécurité générales	43
5.2	Utilisation prévue	45
5.3	Utilisateur	45
5.4	Équipement de protection individuelle	46
5.5	Nettoyeur à pression	46
5.6	Cordon d'alimentation	47
5.7	Raccordement de l'alimentation en eau	48
5.8	Utilisation du nettoyeur à pression	48
6	Maintenance, réparation et rangement	53
6.1	Avertissements et instructions	53
7	Avant d'entreprendre le travail	54
7.1	Préparation du nettoyeur à pression en vue de l'utilisation	54
8	Assemblage du nettoyeur à pression	54
8.1	Assemblage de pièces et accessoires	54
8.2	Raccordement et retrait du flexible haute pression	56
8.3	Pistolet de pulvérisation et lance	57
8.4	Insertion et retrait de la buse de pulvérisation	58
9	Raccordement de l'alimentation en eau	59
9.1	Raccordement du nettoyeur à pression au réseau d'alimentation en eau potable	59
9.2	Raccordement du nettoyeur à pression à une autre source d'eau	61
10	Mise en marche et arrêt du nettoyeur à pression	62
10.1	Mise en marche	62
10.2	Mise à l'arrêt	62
11	Pendant l'utilisation	63
11.1	Activation et verrouillage de la gâchette du pistolet de pulvérisation	63
11.2	Ajout de détergents	63
11.3	Nettoyage	64
12	Après avoir terminé le travail	65
12.1	Préparation pour le transport ou l'entreposage	65
12.2	Protection du nettoyeur à pression dans des conditions hivernales	66
13	Transport	67
13.1	Transport du nettoyeur à pression	67
14	Rangement	68
14.1	Entreposage du nettoyeur à pression	68
15	Nettoyage	68
15.1	Nettoyage du nettoyeur à pression	68
15.2	Nettoyage de la buse et de la lance de pulvérisation	68
15.3	Nettoyage de la grille de prise d'eau	69
15.4	Nettoyage du filtre à eau	69
16	Inspection et maintenance	70
16.1	Tableau d'inspection et d'entretien	70
16.2	Inspection et entretien du nettoyeur à pression	71
16.3	Lubrification des joints	71
17	Guide de dépannage	72
17.1	Nettoyeur à pression	72
18	Spécifications	74

STIHL

La présente Notice d'emploi est protégée par des droits d'auteur. Tous droits réservés, en particulier tout droit de copie, de traduction et de traitement avec des systèmes électroniques quelconques.

18.1 STIHL RE 90.0.....	74
18.2 Symboles sur le nettoyeur à pression	74
18.3 Améliorations technologiques	74
19 Pièces de rechange et équipement.....	76
19.1 Pièces de rechange originales STIHL	76
20 Élimination.....	76
20.1 Mise au rebut de l'outil électrique	76

1 Préface

Nous vous remercions pour votre achat. Les informations contenues dans le présent manuel vous aideront à obtenir des performances et une satisfaction maximales de votre nettoyeur à pression STIHL et, si elles sont respectées, réduiront le risque de blessure résultant de son utilisation.

CONSERVEZ CE MANUEL !



Comme le nettoyeur à pression est alimenté électriquement et produit un jet d'eau puissant, des précautions spéciales de sécurité doivent être observées pour réduire le risque de blessures corporelles.



Lisez attentivement le présent manuel d'utilisation avant d'utiliser votre machine et consultez-le ensuite régulièrement. Respectez toutes les consignes de sécurité. Une utilisation imprudente ou inadaptée du nettoyeur à pression peut entraîner des blessures graves, voire mortelles.

Demandez à votre distributeur agréé STIHL de vous montrer comment utiliser votre nettoyeur à pression.

Ne prêtez et ne louez pas votre nettoyeur à pression sans ce manuel d'utilisation. N'autorisez l'utilisation du nettoyeur à pression qu'à des personnes qui comprennent parfaitement les informations contenues dans le présent manuel.

Pour plus d'informations, ou si vous ne comprenez pas certaines instructions du présent manuel, veuillez consulter le site www.stihl.ca ou prendre contact avec un distributeur agréé STIHL.

2 Indications concernant la présente Notice d'emploi

2.1 Mentions d'avertissement

Ce manuel contient des informations de sécurité qui nécessitent votre attention particulière et qui sont signalées par les symboles et les mentions d'avertissement suivants :

DANGER

Indique une situation dangereuse qui, si elle n'est pas évitée, entraînera la mort ou des blessures graves.

AVERTISSEMENT


Indique une situation dangereuse qui, si elle n'est pas évitée, pourrait entraîner la mort ou des blessures graves.

AVIS

Indique un risque de dommages matériels, y compris les dommages à la machine ou à ses composants individuels.

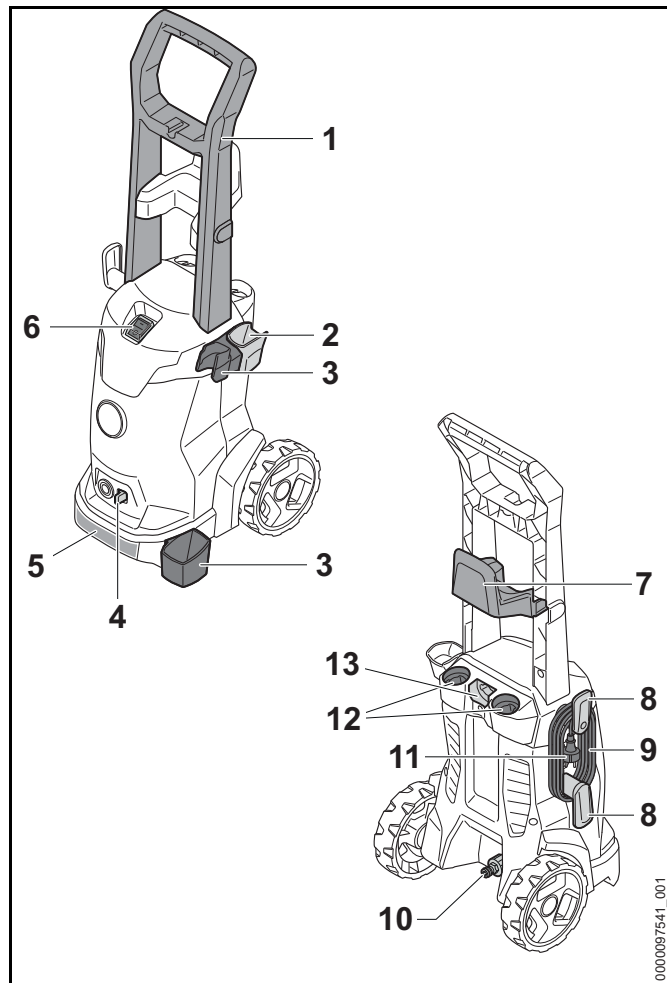
2.2 Symboles employés dans le texte

Le symbole suivant est inséré dans le texte pour vous faciliter l'utilisation de la présente Notice :

 Ce symbole renvoie au chapitre ou sous-chapitre indiqué, de la présente Notice d'emploi.

3 Principales pièces

3.1 Nettoyeur à pression



1 Barre à pousser

Pour le transport du nettoyeur à pression.

2 Support pour le pistolet de pulvérisation

Pour ranger le pistolet de pulvérisation.

3 Support pour outil de pulvérisation

Pour ranger la lance de pulvérisation.

4 Connecteur pour tuyau haute pression

Pour raccorder le flexible haute pression à la pompe à haute pression.

5 Poignée de transport

Pour le levage et le transport du nettoyeur à pression.

6 Interrupteur d'alimentation

Met en marche et arrête le moteur.

7 Support pour tuyau haute pression

Pour le stockage du tuyau haute pression.

8 Support pour cordon d'alimentation

Pour le stockage du cordon d'alimentation.

9 Câble d'alimentation électrique

Alimente le nettoyeur à pression lorsqu'il est connecté à une prise (bloc d'alimentation).

10 Connecteur d'entrée d'eau

Pour raccorder le tuyau à eau à la pompe haute pression.

11 Connecteur

Permet de brancher le cordon d'alimentation à une prise de courant.

12 Compartiment de rangement

Pour le rangement des buses à haute pression.

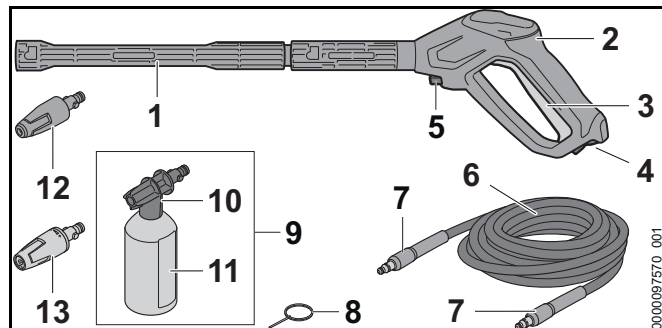
13 Support pour le kit de pulvérisation de détergent

Pour ranger le kit de pulvérisation de détergent.

Plaque signalétique

Comporte des caractéristiques électriques ainsi que le numéro de série du produit.

3.2 Outil de pulvérisation



1 Lance de pulvérisation

Dirige l'eau en provenance du pistolet de pulvérisation vers la buse à haute pression.

2 Pistolet de pulvérisation

Pour contrôler et diriger le jet d'eau.

3 Gâchette du pistolet de pulvérisation

Ouvre et ferme la vanne dans le pistolet de pulvérisation.

4 Verrou de retenue

Verrouille/déverrouille la gâchette du pistolet de pulvérisation.

5 Coupleur pour flexible haute pression

Pour raccorder le flexible haute pression au pistolet de pulvérisation.

6 Flexible haute pression

Transporte l'eau de la pompe à haute pression au pistolet de pulvérisation.

7 Accouplement

Pour le raccordement du tuyau haute pression à la pompe haute pression et au pistolet de pulvérisation.

8 Aiguille de nettoyage

Pour enlever la saleté et les débris des buses de pulvérisation.

9 Set de vaporisateur de détergent

Utilisé pour ajouter des détergents.

10 Buse de détergent

Conçu pour mélanger et pulvériser le détergent avec de l'eau.

11 Bouteille de détergent

Pour ajouter du détergent pendant le nettoyage.

12 Buse à jet rotatif

Buse rotative pour l'élimination des saletés tenaces.

13 Buse à jet hélicoïdal

Buse universelle pour le nettoyage de surfaces plus étendues.

4 Symboles de sécurité sur le produit

4.1 Nettoyeur à pression

Les symboles de sécurité suivants se trouvent sur le nettoyeur à pression :



Pour réduire le risque de blessure, respectez les consignes de sécurité spécifiées.



Lisez et observez toutes les consignes de sécurité dans le manuel d'utilisation. Une utilisation incorrecte peut causer des blessures graves, voire mortelles, ou des dommages matériels.



Pour réduire tout risque de blessure aux yeux, portez toujours une protection oculaire appropriée. 5.4.



- Pour réduire les risques de blessures graves ou mortelles pour l'opérateur ou les passants, ne dirigez jamais le jet haute pression vers l'opérateur, les passants ou les animaux, pas même pour nettoyer les vêtements ou les chaussures, 5.8.4.
- Pour réduire tout risque de court-circuit, d'incendie et d'électrocution, ne dirigez jamais le jet sur des appareils et des équipements électriques, des prises ou des cordons d'alimentation, 5.8.4.
- Pour réduire les risques de court-circuit, d'incendie et d'électrocution, ne jamais diriger le jet vers l'équipement électrique ou le nettoyeur à pression lui-même, 5.8.4.



Pour réduire tout risque de blessure ou de dommage matériel, débranchez immédiatement le nettoyeur à pression de l'alimentation électrique si le cordon d'alimentation ou le câble prolongateur est endommagé, 5.8.



Ne raccordez pas le nettoyeur à pression directement à un réseau d'eau potable, 9.



Pour réduire le risque de blessures ou de dommages matériels en cas d'activation involontaire, éteignez le nettoyeur à pression chaque fois que le nettoyeur à pression n'est pas utilisé, 5.8.4.



Pour réduire le risque d'endommager le nettoyeur à pression, ne laissez pas le nettoyeur haute pression être utilisé ou entreposé à des températures de congélation. Entreposez le nettoyeur à pression à l'intérieur dans un endroit sec et protégé, hors de portée des enfants et des autres utilisateurs non autorisés, 6.

5 CONSIGNES DE SÉCURITÉ IMPORTANTES

5.1 Avertissements et instructions de sécurité générales

Cette section contient les avertissements de sécurité généraux prescrits et les instructions pour les nettoyeurs électriques à haute pression / nettoyeurs à pression. Des avertissements et instructions importants supplémentaires se trouvent dans les sections suivantes du présent manuel.

▲ AVERTISSEMENT

Lorsque vous utilisez un nettoyeur à pression électrique, il convient de toujours respecter les consignes de sécurité fondamentales afin de réduire le risque d'incendie, d'électrocution et de blessures, ainsi que ce qui suit :

- 1) Lisez toutes les instructions avant d'utiliser le produit.
- 2) Pour réduire les risques de blessures, une surveillance étroite est nécessaire lorsqu'un produit est utilisé près des enfants.
- 3) Sachez comment arrêter le produit et relâcher la pression rapidement. Soyez parfaitement familiarisé avec les commandes.
- 4) Restez vigilant – Faites attention à ce que vous faites.
- 5) Ne faites pas fonctionner le produit lorsque vous êtes fatigué ou sous l'influence de l'alcool ou de drogues.
- 6) Gardez la zone de travail à l'écart de toute personne.
- 7) Ne vous approchez pas trop ou ne vous tenez pas debout sur un support instable. Gardez une bonne tenue sur pieds et un bon équilibre à tout moment.
- 8) Suivez les instructions d'entretien spécifiées dans le manuel.
- 9) AVERTISSEMENT - Risque de blessure aux yeux. Le spray peut éclabousser ou propulser des objets. Portez toujours une protection oculaire appropriée, comme des

lunettes de sécurité ou un écran facial pendant la pulvérisation. Les lunettes de sécurité n'offrent pas une protection complète.

INSTRUCTIONS DE MISE À LA TERRE

▲ AVERTISSEMENT

- Il faut raccorder ce produit à la terre. En cas de dysfonctionnement ou de panne, la mise à la terre fournit un chemin de moindre résistance pour le courant électrique afin de réduire le risque de choc électrique. Ce produit est équipé d'un cordon ayant un conducteur de mise à la terre de l'équipement et une broche de mise à la terre. La fiche doit être branchée dans une prise électrique appropriée qui est correctement installée et mise à la terre conformément à tous les codes et ordonnances locaux.
- Une mauvaise connexion du conducteur de mise à la terre de l'équipement peut entraîner un risque d'électrocution. Vérifiez auprès d'un électricien qualifié ou du personnel de service si vous avez des doutes quant à la mise à la terre de la prise électrique. Ne modifiez pas la fiche fournie avec le produit - si elle ne s'adapte pas à la prise, faites installer une prise appropriée par un électricien qualifié. N'utilisez aucun type d'adaptateur avec ce produit.

RALLONGES ÉLECTRIQUES

▲ AVERTISSEMENT

- Risque d'électrocution. L'utilisation d'une rallonge électrique peut provoquer un choc électrique ou une brûlure qui peut entraîner la mort ou des blessures graves.
- N'utilisez pas de rallonge avec ce nettoyeur à pression électrique. Il se peut que votre prise de circuit électrique ou votre rallonge ne fournisse pas une protection de sauvetage avec un disjoncteur de mise à la terre.

INFORMATIONS SUPPLÉMENTAIRES SUR LA SÉCURITÉ

▲ AVERTISSEMENT

- Lisez et suivez toutes les précautions de sécurité figurant sur les étiquettes et dans le manuel d'instructions. Le non-respect de ces instructions peut entraîner des blessures graves ou mortelles.
- Le jet de pulvérisation peut propulser des objets à grande vitesse. Portez toujours des lunettes de protection contre les chocs étant conformes à la norme CSA Z94.
- Gardez les spectateurs et les animaux à l'écart de la zone de travail.
- Portez toujours une protection auditive.
- Voyez la plaque signalétique pour la pression de refoulement maximale et la température de refoulement maximale - n'utilisez que des tuyaux à haute pression et des accessoires conçus pour ces quantités ou plus. N'utilisez que des pièces de rechange d'origine STIHL.
- Le pistolet de pulvérisation produit un fort recul (rebondissement) dans la direction opposée à celle de la pulvérisation. Tenez fermement avec les deux mains pour réduire le risque de blessure en cas de perte de contrôle.
- En raison de la haute pression et de la vitesse de l'eau, le jet de pulvérisation est très puissant. Pour réduire le risque de lacérations graves et d'injection de liquides sous la peau, ne dirigez jamais le jet de pulvérisation vers soi-même, d'autres personnes ou animaux. Restez à l'écart de la buse lorsque la machine fonctionne. Assurez-vous que le jet de pulvérisation n'endommage pas l'objet à nettoyer.
- Pour réduire les risques d'incendie et d'explosion, ne pulvérisiez jamais de liquides inflammables.
- Pour réduire les risques de blessures graves ou mortelles causées par un choc électrique, n'utilisez jamais un nettoyeur à pression si le cordon

- d'alimentation est coupé, fissuré, usé ou endommagé. Débranchez immédiatement un cordon endommagé.
- Pour réduire les risques d'électrocution et d'incendie, ne dirigez jamais le jet de pulvérisation vers la machine elle-même, les autres appareils ou équipements électriques, les prises de courant ou les cordons d'alimentation. Ne pulvérisez jamais près d'une source d'alimentation électrique.
- Protégez contre le gel.
- Stockez à l'intérieur.
- Si le raccordement est effectué à un réseau d'eau potable, le système doit être protégé contre les retours d'eau.

RISQUE D'ÉLECTROCUTION

▲ AVERTISSEMENT

- Inspectez le cordon avant de l'utiliser - ne l'utilisez pas si le cordon est endommagé.
- Gardez toutes les connexions sèches et hors du sol.
- Ne touchez pas la fiche avec les mains mouillées.
- Double isolation - lors de l'entretien, n'utilisez que des pièces de rechange identiques.
- Si le remplacement de la fiche ou du cordon est nécessaire, n'utilisez que des pièces de rechange identiques.
- N'utilisez pas de câble prolongateur.
- Lisez le manuel d'instructions avant d'utiliser le produit.

5.2 Utilisation prévue

▲ AVERTISSEMENT

- Ce nettoyeur à pression est conçu pour les travaux de nettoyage autour de la maison et du jardin, le nettoyage des meubles de jardin, passerelles, terrasses, véhicules, remorques et autres applications similaires.

- Utilisez votre nettoyeur à pression pour nettoyer des surfaces solides et d'autres objets qui ne seront pas endommagés par la force du jet.
- Utilisez le nettoyeur à pression uniquement de la manière décrite dans le présent manuel. Ne l'utilisez pas à d'autres fins, un usage inadapté peut entraîner des lésions corporelles ou des dommages matériels, y compris des dommages au nettoyeur de pression.
 - N'essayez jamais de modifier ou de neutraliser d'une manière quelconque les dispositifs de commande et de sécurité du nettoyeur à pression.
 - N'utilisez jamais un nettoyeur à pression qui a été modifiée ou transformée par rapport à sa conception originale.

5.3 Utilisateur

▲ AVERTISSEMENT

- Le travail avec le nettoyeur à pression peut être épuisant. L'opérateur doit être en bonne condition physique et mentale. Pour réduire tout risque de blessure résultant de la fatigue ou d'une perte de contrôle :
 - Consultez votre médecin avant d'utiliser le nettoyeur à pression si vous avez un problème de santé qui peut-être être aggravé par un travail pénible.
 - N'utilisez pas le nettoyeur à pression pendant que vous êtes sous l'influence d'une substance quelconque (drogue, alcool, médicaments, etc.) qui peut altérer la vision, l'équilibre, la dextérité ou le jugement.
 - Soyez vigilant. N'utilisez pas le nettoyeur à pression lorsque vous êtes fatigué. Faites une pause lorsque vous vous sentez fatigué.
 - N'autorisez pas les mineurs à utiliser le nettoyeur à pression.
 - Il convient que les spectateurs, notamment les enfants et les animaux, ne soient pas autorisés dans la zone d'utilisation du nettoyeur à pression.

- D'après les connaissances actuelles de STIHL, le moteur électrique de ce nettoyeur à pression ne devrait pas provoquer d'interférences avec un stimulateur cardiaque.
 - Il convient cependant que les porteurs de stimulateur cardiaque ou d'un autre dispositif médical implanté consultent leur médecin et le fabricant du dispositif avant d'utiliser ce nettoyeur à pression.

5.4 Équipement de protection individuelle

⚠ AVERTISSEMENT

- Pour réduire les risques de lésion corporelle :
 - Portez toujours des vêtements adéquats et une combinaison de protection ainsi qu'une protection oculaire appropriée.
- Pour réduire les risques de lésion oculaire :
 - Portez toujours des lunettes de protection contre les chocs et marquées comme étant conformes à la norme CSA Z94. Les lunettes de sécurité n'offrent pas une protection complète.
- Une bonne tenue sur pieds est très importante. Pour aider à garder une bonne tenue sur pieds et réduire le risque de blessures en travaillant :
 - Portez des bottes robustes avec des semelles en caoutchouc antidérapantes. Ne portez pas de sandales, de tongs, de chaussures à bout ouvert ou similaire.
- Pour réduire le risque d'électrocution :
 - Portez des chaussures à semelles de caoutchouc qui assurent l'isolation lors de l'utilisation du nettoyeur à pression.
- Des aérosols aqueux peuvent se former lors du travail avec un nettoyeur à pression. L'inhalation de certains aérosols peut être dangereuse. Pour déterminer les mesures nécessaires à la protection contre les aérosols aqueux, il convient de procéder à une évaluation des



risques avant de commencer. En fonction de votre évaluation des risques, des appareils respiratoires de classe FFP2 ou supérieure peuvent être nécessaires.

5.5 Nettoyeur à pression

⚠ AVERTISSEMENT

- Pour réduire le risque de blessures graves ou mortelles suite à une d'électrocution ou une décharge électrique :
 - Placez le nettoyeur à pression à l'extérieur de la zone de travail humide.
 - Rangez le nettoyeur à pression à l'intérieur.
 - N'utilisez jamais le nettoyeur à pression si le carter autour du moteur est fissuré ou endommagé.
- Pour réduire le risque de blessure à l'utilisateur et aux spectateurs pendant l'utilisation :
 - Toujours éteindre le nettoyeur à pression, relâcher la pression du système, verrouiller la gâchette du pistolet de pulvérisation et débrancher l'alimentation électrique avant d'assembler, d'inspecter, de nettoyer, d'entretenir ou de réparer le nettoyeur à pression.
- Bien que certains accessoires non autorisés puissent être utilisés avec nettoyeur à pression STIHL, leur utilisation peut s'avérer extrêmement dangereuse. Seuls sont recommandés les accessoires fournis par STIHL ou expressément autorisés par STIHL pour une utilisation avec ce modèle spécifique.
 - Utilisez uniquement les accessoires livrés ou expressément autorisés par STIHL.
 - N'apportez jamais une quelconque modification à ce nettoyeur à pression.
 - N'essayez jamais de modifier ou de neutraliser d'une manière quelconque les dispositifs de commande et de sécurité du nettoyeur à pression.
 - N'utilisez jamais un nettoyeur à pression qui a été modifiée ou transformée par rapport à sa conception originale.

- Si le nettoyeur à pression chute ou est soumis à des chocs importants similaires :
 - Vérifiez qu'il n'est pas endommagé et qu'il fonctionne normalement avant de poursuivre le travail.
 - Vérifiez que les commandes et les dispositifs de sécurité fonctionnent correctement.
 - Vérifiez que le cordon d'alimentation n'a pas été endommagé.
 - Ne travaillez jamais avec un nettoyeur à pression endommagé ou fonctionnant mal. En cas de doute, faites contrôler le nettoyeur à pression par votre distributeur agréé STIHL.
- Si le nettoyeur à pression est endommagé, ne fonctionne pas correctement, a été laissé à l'extérieur ou exposé à la pluie, ses composants peuvent ne plus fonctionner correctement et les dispositifs de sécurité peuvent être inopérants. Pour réduire les risques de lésion corporelle et de dommages matériels :
 - Faites vérifier le nettoyeur à pression par votre distributeur agréé STIHL avant toute autre opération.
- Les pièces de rechange STIHL authentiques sont conçues spécifiquement pour correspondre à votre nettoyeur à pression et répondent aux exigences de sécurité et de performances. L'utilisation de pièces qui ne sont pas autorisées ou homologuées par STIHL peut causer des blessures graves ou la mort ou des dommages matériels.
 - STIHL recommande d'utiliser exclusivement des pièces de rechange STIHL identiques.

5.6 Cordon d'alimentation

⚠ AVERTISSEMENT

- L'utilisation d'un cordon d'alimentation ou d'une fiche endommagé peut donner lieu à un incendie, une électrocution et d'autres lésions corporelles ou dommages matériels. Pour réduire ces risques :



- Vérifiez régulièrement que le cordon d'alimentation du nettoyeur à pression ou la fiche ne sont pas endommagés. S'il est endommagé, débranchez le nettoyeur à pression de l'alimentation électrique. N'utilisez jamais un cordon d'alimentation ou une fiche endommagé.
- N'utilisez pas le cordon d'alimentation électrique à des fins d'abrasion, d'écrasement, de secousse ou d'autres usages abusifs. Protégez-le de la chaleur, de l'huile et des bords tranchants.
- Si le cordon d'alimentation est endommagé, faites-le remplacer par un distributeur agréé STIHL avant l'utilisation. Un cordon d'alimentation endommagé doit être remplacé par une pièce de rechange STIHL identique.
- Débranchez le cordon d'alimentation lorsque le nettoyeur à pression n'est pas en cours d'utilisation.
- Ne tirez jamais sur le cordon d'alimentation d'un coup sec ou par saccades pour le débrancher. Pour débrancher, saisissez la fiche et non le cordon d'alimentation.
- Assurez-vous que le cordon d'alimentation est placé et fixé ou repéré de manière à ce qu'il ne risque pas d'être piétiné, de provoquer un trébuchement ou d'entrer en contact avec des objets tranchants ou des pièces mobiles, ni subir d'autres dommages ou contraintes.
- Cet outil électrique est équipé d'une fiche polarisée (une lame est plus large que l'autre). Cette fiche ne s'adaptera que dans un sens dans une prise électrique polarisée. Pour réduire le risque d'électrocution :
 - N'apportez aucune modification à la fiche.
 - Si la fiche ne s'adapte pas dans la prise, retournez la fiche. S'il ne s'adapte toujours pas, utilisez une autre prise ou contactez un électricien qualifié pour installer la bonne prise.

5.7 Raccordement de l'alimentation en eau

▲ AVERTISSEMENT

- Lorsque la gâchette du pistolet de pulvérisation est relâchée, le recul du produit peut repousser de l'eau non potable dans le système d'eau potable.



– Ne raccordez pas le nettoyeur à pression directement à un réseau d'eau potable.


- Si vous raccordez le nettoyeur à pression à un réseau d'eau potable, vous devez poser un clapet de non-retour entre le robinet d'eau et le tuyau. La conception du disconnecteur doit être conforme à tous les codes et règlements de gestion de l'eau applicables dans votre région.
- De l'eau potable qui a traversé le clapet de non-retour n'est plus considérée comme de l'eau potable. Pour prévenir la contamination de l'eau potable :
 - Observez les règles définies par la compagnie de distribution d'eau locale pour éviter que de l'eau reflue du nettoyeur à pression dans le réseau d'eau potable.
 - N'utilisez pas le nettoyeur à pression avec de l'eau sale (c'est à dire de l'eau contenant du sable, des impuretés ou d'autres matières particulaires). S'il existe un risque quelconque pour que l'eau soit sale, installez un filtre à eau approprié ou trouvez une source d'eau alternative.

5.8 Utilisation du nettoyeur à pression

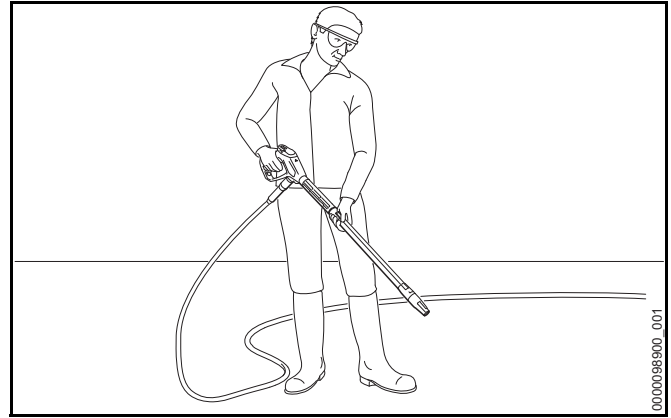
5.8.1 Avant l'utilisation

▲ AVERTISSEMENT

- Une utilisation incorrecte ou non autorisée peut causer des lésions corporelles ou des dommages matériels.
 - Utilisez le nettoyeur à pression uniquement de la manière décrite dans le présent manuel d'instructions.
- L'utilisation d'un nettoyeur à pression modifiée, endommagée, mal réglée ou mal entretenue ou qui n'est pas assemblée entièrement et de manière sûre peut entraîner un dysfonctionnement et accroître le risque de blessures graves ou de mort.
 - N'utilisez jamais un nettoyeur à pression qui est modifié, endommagé, mal entretenu ou qui n'est pas assemblé entièrement et de manière sécurisée.
 - Toujours vérifier l'état et le fonctionnement de votre nettoyeur à pression avant de commencer le travail, en particulier la gâchette du pistolet de pulvérisation et le verrou de retenue.
 - Assurez-vous que la gâchette et le verrou de retenue du pistolet de pulvérisation se déplacent librement. La gâchette du pistolet de pulvérisation ne doit pas s'enclencher tant que le verrou de retenue n'a pas été déplacé en position déverrouillée.
 - N'essayez jamais de modifier ou de neutraliser d'une manière quelconque les dispositifs de commande et de sécurité.
 - Si votre nettoyeur de pression ou une partie de celui-ci est endommagé ou ne fonctionne pas correctement, amenez-le à votre distributeur agréé STIHL. N'utilisez pas le nettoyeur à pression avant d'avoir corrigé le problème.

- Avant de brancher le nettoyeur à pression à l'alimentation électrique :
 - Lisez et observez les instructions relatives à la mise en marche du nettoyeur à pression,  10.1.
 - Assurez-vous que le flexible haute pression est en bon état non effiloché, fissuré, déformé ou endommagé d'une manière quelconque. N'utilisez jamais l'appareil avec un flexible haute pression endommagé ou usé.
- Pour contribuer à réduire les risques de blessure grave ou mortelle résultant d'un démarrage involontaire :
 - Ne jamais porter le nettoyeur à pression avec le doigt sur la gâchette du pistolet de pulvérisation.
 - Eteindre le nettoyeur à pression, relâcher la pression du système, verrouiller la gâchette du pistolet de pulvérisation et débrancher l'alimentation électrique avant d'assembler, d'inspecter, de nettoyer, d'entretenir ou de réparer le nettoyeur à pression.
 - Toujours éteindre le nettoyeur haute pression, relâcher la pression du système et verrouiller la gâchette du pistolet de pulvérisation avant d'essayer de retirer le tuyau haute pression ou la lance de pulvérisation du pistolet de pulvérisation.
 - Toujours éteindre le nettoyeur à pression, relâcher la pression du système et verrouiller la gâchette du pistolet de pulvérisation avant d'essayer de régler ou de changer une buse de pulvérisation ou un autre accessoire.
 - Ne laissez jamais le nettoyeur à pression sans surveillance lorsqu'elle est branchée à l'alimentation électrique.

5.8.2 Tenue et contrôle du nettoyeur à pression



▲ AVERTISSEMENT

- Pour maintenir une prise ferme et bien contrôler votre nettoyeur à pression :
 - Gardez le dispositif de pulvérisation propre en tout temps. Veillez à ce que le dispositif soient exempts de poix, d'huile, de graisse et de résine. Veillez à ce que les accessoires soient exempts de poix, d'huile, de graisse et de résine.
- Pour réduire le risque de blessures graves ou mortelles à l'opérateur et aux spectateurs suite à une perte de contrôle :
 - Tenez toujours l'accessoire de pulvérisation fermement avec les deux mains lorsque vous travaillez.
 - Enroulez fermement les doigts autour du pistolet et de la lance de pulvérisation.
 - Positionnez l'accessoire de pulvérisation de telle sorte que toutes les parties de votre corps soient dégagées du jet d'eau.
 - Placez le cordon d'alimentation de telle sorte qu'il ne soit pas endommagés pendant le travail avec le nettoyeur à pression.

- Gardez toujours le cordon d'alimentation derrière l'opérateur et à l'écart du jet d'eau. Veillez à ce que le cordon d'alimentation ne s'emmêle pas avec des obstacles ou des objets.
- Il est extrêmement dangereux d'utiliser le nettoyeur à pression d'une seule main. L'utilisation d'une seule main rend difficile l'opposition et l'absorption des forces réactives (recul) sans perdre le contrôle du nettoyeur à pression. Afin de réduire le risque de blessures graves ou mortelles pour l'opérateur ou les passants en cas de perte de contrôle :
 - N'essayez jamais d'utiliser le nettoyeur à pression d'une seule main.
- Du fait de la pression élevée et de la vitesse de pulvérisation, les liquides peuvent pénétrer dans la peau et provoquer une injection de liquide et/ou de graves blessures. Pour réduire le risque de blessure grave ou mortelle de l'opérateur ou des passants en cas de perte de contrôle, il faut toujours garder une bonne position et un bon équilibre :
 - Soyez particulièrement attentif aux obstacles humides ou cachés, tels que des souches d'arbres, les racines, les rochers, les trous et les fossés pour éviter de trébucher ou de chuter si le terrain est envahi par la végétation.
 - Sachez à tout moment où se trouvent le cordon d'alimentation et les tuyaux d'eau pour éviter de s'y prendre les pieds ou de trébucher.
 - Soyez extrêmement prudent lorsque vous travaillez sur des pentes ou un sol irrégulier.
- Pour réduire le risque de blessures dues à la perte de contrôle :
 - Ne travaillez jamais sur une échelle, sur un toit, dans un arbre ou en vous tenant debout sur tout autre support instable.
 - N'utilisez jamais le nettoyeur à pression au-dessus de la hauteur des épaules.
 - Ne vous penchez pas trop. Gardez une bonne tenue sur pieds et un bon équilibre à tout moment.

5.8.3 Conditions de travail

▲ AVERTISSEMENT

- N'utilisez votre nettoyeur à pression que dans de bonnes conditions de visibilité à la lumière du jour.
 - Reportez le travail si le temps est venteux, brumeux, pluvieux ou peu clément.
- Votre nettoyeur à pression est une machine pour une seule personne.
 - Ne permettez pas à d'autres personnes de se tenir dans la zone de travail générale.
 - Les spectateurs, en particulier les enfants, et les animaux ne devraient pas être autorisés dans la zone où il est utilisé.
 - Arrêtez immédiatement le moteur si quelqu'un s'approche de vous.
- Pour réduire le risque de blessure aux spectateurs et utilisateurs non autorisés :
 - Ne laissez jamais le nettoyeur à pression sans surveillance lorsqu'elle est branchée à l'alimentation électrique.
 - Éteignez le nettoyeur à pression et débranchez-le de l'alimentation électrique pendant les interruptions du travail et à tout autre moment lorsque le nettoyeur à pression n'est pas utilisé.
- Les étincelles générées par le fonctionnement du nettoyeur à pression peuvent enflammer des gaz combustibles, liquides, vapeurs, poussières inflammables ou d'autres matériels et substances combustibles. Pour réduire les risques d'incendie et d'explosion :
 - N'utilisez jamais le nettoyeur à pression dans un endroit où se trouvent des gaz, liquides, vapeurs, poussières inflammables ou autres matières et substances combustibles.
 - Lisez et observez les recommandations émises par les autorités gouvernementales (par exemple le CCHST) pour identifier et éviter les risques liés aux gaz, liquides, vapeurs, poussières inflammables ou autres matières et substances combustibles.

- La pulvérisation de certains matériaux avec le jet d'eau peut produire de la poussière ou un brouillard contenant des particules susceptibles de causer des maladies respiratoires, le cancer, des malformations congénitales et d'autres dommages graves.
 - Ne pulvérisez jamais sur une surface quelconque contenant de la peinture au plomb.
 - Ne pulvérisez jamais sur des matériaux contenant de l'amiante, tels que le ciment à base d'amiante ou les parements en amiante. Outre les saletés, le jet peut détacher des fibres d'amiante dangereuses car elles risquent de pénétrer dans les poumons.
 - Consulter les organismes gouvernementaux tels que l'ECCE, le CCHST et l'ASPC et d'autres sources faisant autorité sur les matières dangereuses si vous n'êtes pas familiarisé avec les risques associés aux substances particulières que vous pulvérisez.
- L'inhalation de certaines poussières, en particulier des poussières organiques telles que les moisissures ou le pollen, peut provoquer une réaction allergique ou asthmatique chez les personnes sensibles. Une inhalation importante ou répétée de la poussière ou d'autres contaminants aérosols, notamment ceux ayant une taille de particules plus petites, peut causer des maladies respiratoires ou autres.
 - Contrôlez la poussière les brouillards à la source dans la mesure du possible.
 - Dans la mesure du possible, utilisez le nettoyeur à pression de sorte que le vent ou le fonctionnement dirige la poussière, le brouillard ou les autres particules soulevés par le nettoyeur à pression loin de l'opérateur.
 - Lorsqu'il est impossible de maintenir les poussières respirables ou d'autres matières particulaires à des niveaux de fond ou proches de ceux-ci, portez toujours un appareil respiratoire homologué par l'ASPC et adapté aux conditions spécifiques du lieu de travail. Suivez les recommandations des autorités gouvernementales (par exemple CCHST/ASPC) et des associations professionnelles et commerciales.

- L'inhalation de poussière d'amiante est dangereuse et peut causer des blessures graves, voire mortelles, des maladies respiratoires ou le cancer, y compris le mésothéliome. L'utilisation et la mise au rebut des produits contenant de l'amiante sont strictement réglementées par le CCHST et l'ECCE.
 - Arrêtez immédiatement le travail et contactez les autorités compétentes nationales et locales et/ou l'ECCE, votre employeur ou le représentant local du CCHST si vous avez des raisons de penser que vous pourriez être amené à désagréger de l'amiante.

5.8.4 Instructions d'utilisation

▲ AVERTISSEMENT

- En cas d'urgence :
 - Arrêtez immédiatement le moteur et débranchez le nettoyeur à pression de l'alimentation électrique.
- Pour réduire le risque d'incendie/explosion qui pourrait entraîner des blessures graves ou mortelles ou des dommages matériels :
 - Ne pulvérisez jamais de liquides inflammables ou combustibles.
 - N'aspirez jamais dans la pompe des liquides qui contiennent des solvants ou des acides non dilués (par exemple, de l'essence, du mazout, du diluant à peinture ou de l'acétone).
- Du fait de la pression élevée et de la vitesse de pulvérisation, les liquides peuvent pénétrer dans la peau et provoquer une injection de liquide et/ou de graves blessures.



– Ne dirigez jamais le jet à haute pression vous-même ou sur d'autres personnes, pas même pour nettoyer des vêtements ou des chaussures.

- Ne dirigez pas le jet à haute pression sur des animaux.



- Gardez les mains, les pieds et les autres parties de votre corps éloignés du jet d'eau à tout moment.
- Ne dirigez pas le jet haute pression vers des endroits non visibles.
- Éteignez le nettoyeur à pression, relâchez la pression du système et verrouillez la gâchette du pistolet de pulvérisation avant de changer ou de régler une buse ou un accessoire de pulvérisation.
- Consultez immédiatement un médecin si le jet semble avoir pénétré sous la peau suite à un accident. Ne le considérez pas comme une simple coupure.
- Pour réduire le risque de dommages matériels ou de blessures graves :
 - Commencez le travail à la plus grande distance effective de la surface à nettoyer. Ne vous approchez pas trop près pour ne pas endommager la surface avec la force du jet.
 - Soyez particulièrement prudent lors de la pulvérisation sur des matériaux tendres comme le tissu.
 - Il convient d'être prudent en dirigeant le jet sur des matériaux fragiles comme le verre. Il pourrait se briser.
- Ce nettoyeur à pression a été conçu pour être utilisé uniquement avec de l'eau ou avec un détergent conçu spécifiquement et homologué pour une utilisation avec les nettoyeurs à pression. L'utilisation de détergents ou de

produits de nettoyage inadaptés peut provoquer des lésions corporelles et des dommages au nettoyeur à pression et/ou à la surface nettoyée.

- Utilisez toujours le dosage correct de détergent, observez les instructions du fabricant du détergent pour une préparation et une dilution correctes et aussi pour une utilisation et une élimination en toute sécurité.
- Les détergents peuvent renfermer des substances nocives (toxiques, caustiques, irritantes), combustibles ou facilement inflammables. Ils sont potentiellement dangereux et peuvent provoquer une irritation de la peau et des yeux, des brûlures chimiques et d'autres blessures graves.
 - Évitez tout contact avec la peau et les yeux.
 - En cas de contact accidentel, rincez immédiatement et abondamment la zone de contact avec de l'eau propre.
 - Si le liquide pénètre dans vos yeux : Ne frottez pas. Rincez les yeux ouverts à l'eau pendant au moins 15 minutes et consultez un médecin.
- Un fonctionnement du nettoyeur à pression sans eau entraînera une surchauffe de la pompe avec risque de dommage permanent.
 - Branchez et ouvrez toujours l'arrivée d'eau vers la pompe avant de démarrer le moteur.
 - Ne faites pas fonctionner le nettoyeur à pression sans eau.

⚠ AVERTISSEMENT

- Pour réduire les risques de court-circuit, d'incendie et d'électrocution :
 - Ne dirigez jamais le jet à haute pression vers le nettoyeur lui-même ou l'un de ses composants.



Ne dirigez jamais le spray sur les personnes, les animaux et équipements électriques, les surfaces ou les cordons d'alimentation.



- Ne pulvérisiez jamais à proximité de prises électriques ou d'autres sources d'énergie.
- N'utilisez jamais le nettoyeur à pression si le carter autour du moteur est fissuré ou endommagé.

d'effectuer des travaux de nettoyage, d'entretien ou de réparation, avant l'entreposage et à tout autre moment où il n'est pas utilisé.

6 Maintenance, réparation et rangement

6.1 Avertissements et instructions

⚠ AVERTISSEMENT

- Il n'existe aucune réparation du nettoyeur à pression que l'utilisateur est autorisé à effectuer lui-même. Pour réduire les risques d'incendie, d'électrocution ou d'autres lésions corporelles et dommages matériels :
 - Les utilisateurs peuvent effectuer uniquement les opérations de nettoyage et de maintenance décrites dans le présent manuel.
 - Respectez scrupuleusement les instructions de nettoyage et de maintenance dans la section appropriée du présent manuel d'utilisation.
 - STIHL recommande de faire effectuer toutes les opérations de réparation par un distributeur agréé STIHL.
- Un démarrage involontaire peut causer des lésions corporelles ou des dommages matériels. Pour réduire les risques de lésion corporelle et de dommages matériels résultant d'un démarrage involontaire :
 - Coupez le nettoyeur à pression, débranchez-le de l'alimentation électrique, coupez l'alimentation en eau et appuyez sur la gâchette du pistolet de pulvérisation jusqu'à ce que la pression dans le système soit complètement relâchée. Ensuite, verrouillez la gâchette du pistolet de pulvérisation avant d'inspecter le nettoyeur à pression ou d'effectuer des travaux de nettoyage, d'entretien ou de réparation, avant l'entreposage et à tout autre moment où il n'est pas utilisé.
- Cette nettoyeur à pression électrique est à double isolement. Dans un tel dispositif, deux systèmes d'isolation sont prévus pour protéger contre les chocs électriques. Aucun moyen de mise à la terre n'est prévu, et aucun moyen ne doit être ajouté pour mettre l'unité à la terre. L'entretien d'une unité à double isolation exige un soin extrême et une connaissance du système et ne doit être effectué que par un personnel de service qualifié.
- L'utilisation de pièces qui ne sont pas autorisées ou homologuées par STIHL peut causer des blessures graves ou la mort ou des dommages matériels.
 - STIHL recommande d'utiliser exclusivement des pièces de rechange STIHL identiques pour la réparation ou la maintenance.
 - Si vous utilisez un tuyau haute pression de remplacement ou un tuyau haute pression accessoire, assurez-vous qu'il est conçu pour le PSI maximum du nettoyeur haute pression.
 - Si vous utilisez un pistolet ou une lance de rechange, ou tout autre accessoire de pulvérisation, assurez-vous qu'il est calibré pour le PSI maximum du nettoyeur à pression.
- Pour réduire le risque d'électrocution :
 - Assurez-vous que l'isolation du cordon d'alimentation et de la prise est en bon état et ne présente aucun signe de vieillissement (fragilité), d'usure ou de détérioration.
 - N'utilisez jamais le nettoyeur à pression si le carter autour du moteur est fissuré ou endommagé.

INSTRUCTIONS D'ENLÈVEMENT ET DE STOCKAGE


⚠ AVERTISSEMENT

- Un entreposage incorrect peut donner lieu à une utilisation non autorisée, causer des dommages au nettoyeur à pression ainsi qu'un risque accru d'incendie, d'électrocution et d'autres lésions corporelles ou dommages matériels.
 - Débranchez le nettoyeur à pression de l'alimentation électrique avant de le ranger.
 - Ne déposez jamais le nettoyeur à pression lorsque la fiche du cordon d'alimentation est branchée à une prise électrique.
 - Entrez le nettoyeur à pression à l'intérieur dans un endroit sec et protégé, hors de portée des enfants et des autres utilisateurs non autorisés.



- Vidangez le vaporisateur de détergent ou fixez-le de manière à ce qu'il ne puisse pas basculer et qu'il ne puisse pas bouger.









- Ne laissez personne utiliser ou entreposer l'appareil à des températures givrantes.
- S'il est nécessaire de transporter ou d'entreposer le nettoyeur à pression dans des conditions de gel, la pompe doit être remplie d'un antigel pour éviter la formation de fissures provoquées par l'expansion de l'eau gelée,  12.2.

CONSERVEZ CES INSTRUCTIONS !

7 Avant d'entreprendre le travail

7.1 Préparation du nettoyeur à pression en vue de l'utilisation

Avant de commencer le travail :

- ▶ Nettoyez le filtre à eau, si nécessaire,  15.4.
- ▶ Placez le nettoyeur à pression sur un support plan et ferme ou toute autre surface solide dans un espace ouvert.
- ▶ Raccordez le tuyau haute pression,  8.2.1.
- ▶ Raccordez le pistolet et la lance de pulvérisation,  8.3.1.
- ▶ Insérez la buse de pulvérisation,  8.4.1.
- ▶ Si nécessaire, ajoutez du détergent,  11.2.
- ▶ Raccordez l'alimentation en eau,  9.
- ▶ Branchez le cordon d'alimentation à une prise électrique correctement installée qui correspond à la tension et à la fréquence électrique indiquées sur la plaque signalétique du nettoyeur à pression.

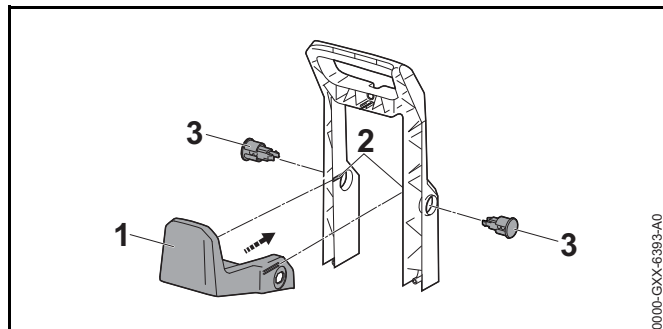
8 Assemblage du nettoyeur à pression

8.1 Assemblage de pièces et accessoires

⚠ AVERTISSEMENT

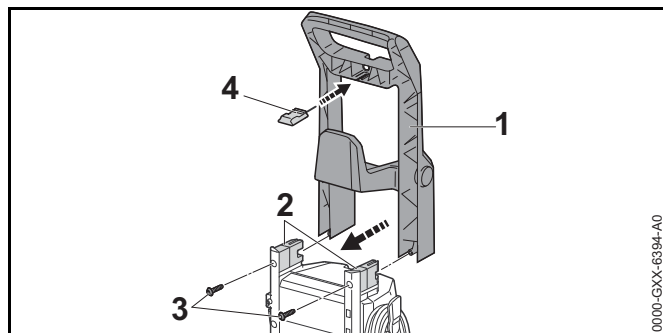
Pour réduire le risque de blessures graves dues à la pulvérisation haute pression, coupez toujours le nettoyeur à pression, coupez l'alimentation en eau, déchargez toute pression résiduelle dans le système et verrouillez la gâchette du pistolet de pulvérisation avant d'essayer d'assembler le nettoyeur à pression de la pompe ou l'outil de pulvérisation.

Support pour tuyau haute pression



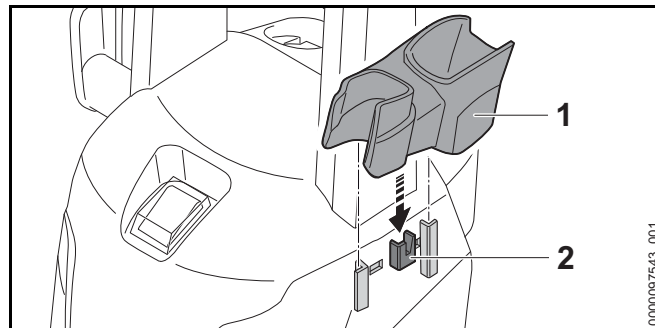
- ▶ Placez le support (1) dans les guides (2) jusqu'à ce qu'il s'enclenche de manière audible.
- ▶ Fixez le support avec les deux fiches (3).

Barre à pousser



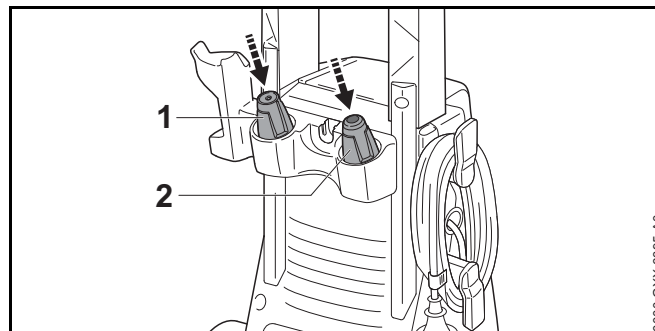
- ▶ Faites glisser la barre de poussée (1) sur le cadre (2) et serrez les vis (3).

Support pour le pistolet de pulvérisation



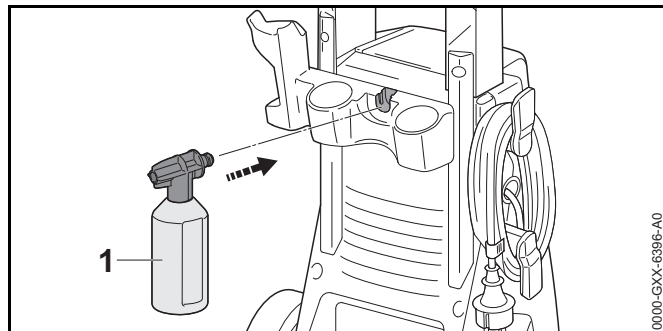
- ▶ Faites glisser le support (1) dans le guide (2).

Buses



- ▶ Insérez la buse à jet hélicoïdal (1) et la buse à jet rotatif (2).

Set de vaporisateur de détergent



- ▶ Montez le kit de pulvérisation de détergent (1).

8.2 Raccordement et retrait du flexible haute pression

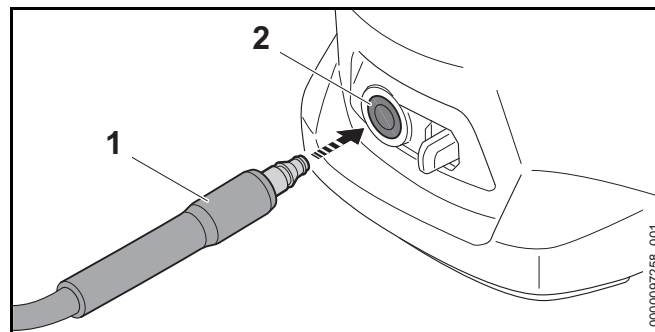
8.2.1 Raccordement du tuyau à haute pression

⚠ AVERTISSEMENT

Avant de commencer l'assemblage, éteignez le nettoyeur à pression, débranchez l'appareil de l'alimentation électrique et assurez-vous que toute la pression est évacuée du système afin de réduire les risques de blessures dues à des pulvérisations involontaires.

Pour raccorder le tuyau haute pression :

- ▶ Éteignez le nettoyeur à pression, 📖 10.2.
- ▶ Débranchez le nettoyeur à pression de l'alimentation électrique.
- ▶ Fermez l'arrivée d'eau.
- ▶ Retirez complètement le sable et les débris des raccords et accouplements.



- ▶ Poussez le tuyau haute pression (1) dans le nettoyeur haute pression (2).
- ▶ Si le tuyau haute pression est difficile à enfoncer dans le raccord, appliquez une graisse de raccord alimentaire sur la surface d'étanchéité du tuyau haute pression.

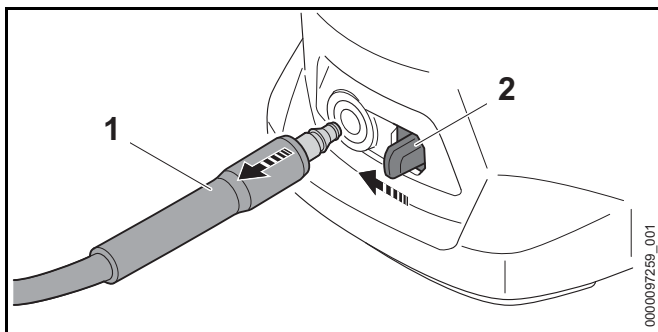
8.2.2 Retrait du tuyau haute pression

⚠ AVERTISSEMENT

Pour réduire le risque de blessures graves dues à la pulvérisation haute pression, coupez toujours le nettoyeur à pression, coupez l'alimentation en eau, déchargez toute pression résiduelle dans le système et verrouillez la gâchette du pistolet de pulvérisation avant d'essayer de retirer le tuyau haute pression de la pompe ou du pistolet de pulvérisation.

Pour retirer le tuyau haute pression :

- ▶ Éteignez le nettoyeur à pression, 📖 10.2.
- ▶ Débranchez le nettoyeur à pression de l'alimentation électrique.
- ▶ Fermez l'arrivée d'eau.
- ▶ Appuyez sur la gâchette du pistolet de pulvérisation pour relâcher la pression.
- ▶ Verrouillez la gâchette du pistolet de pulvérisation.




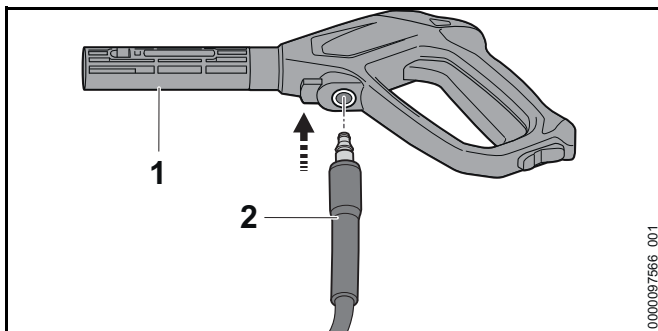
- ▶ Appuyez sur le levier de verrouillage (2) et maintenez-le enfoncé.
- ▶ Retirez le tuyau haute pression (1).

8.3 Pistolet de pulvérisation et lance

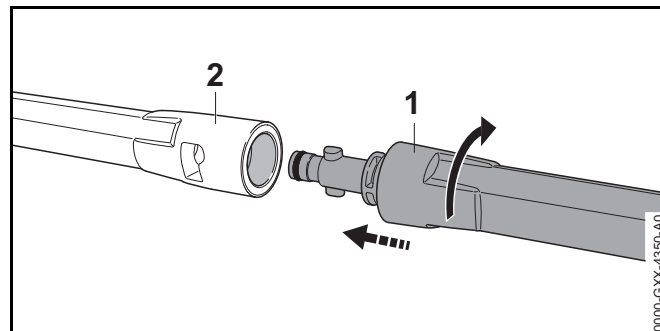
8.3.1 Connecter le pistolet de pulvérisation et la lance

Pour raccorder le pistolet de pulvérisation et la lance :

- ▶ Éteignez le nettoyeur à pression,  10.2.
- ▶ Débranchez le nettoyeur à pression de l'alimentation électrique.
- ▶ Fermez l'arrivée d'eau.
- ▶ Verrouillez la gâchette du pistolet de pulvérisation.
- ▶ Retirez complètement le sable et les débris des raccords et accouplements.



- ▶ Poussez le tuyau haute pression (2) dans le pistolet de pulvérisation (1).
- ▶ Si le tuyau haute pression est difficile à enfoncer dans le pistolet de pulvérisation, appliquez une graisse de raccord alimentaire sur la surface d'étanchéité du tuyau haute pression.




- ▶ Fixez la lance de pulvérisation (1) au pistolet de pulvérisation (2).
- ▶ Enfoncez la lance de pulvérisation (1) jusqu'à la butée dans le pistolet de pulvérisation (2).
- ▶ Une fois inséré, tournez la lance de pulvérisation dans le sens des aiguilles d'une montre jusqu'à ce qu'elle s'enclenche.
- ▶ Si la lance est difficile à insérer dans le pistolet pulvérisateur, appliquez une graisse de raccord compatible avec les aliments.

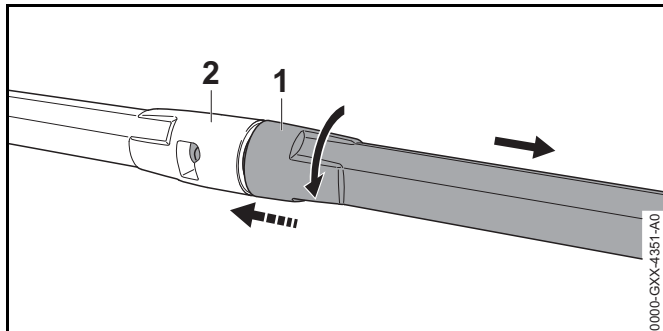
8.3.2 Enlever le pistolet de pulvérisation et la lance

AVERTISSEMENT

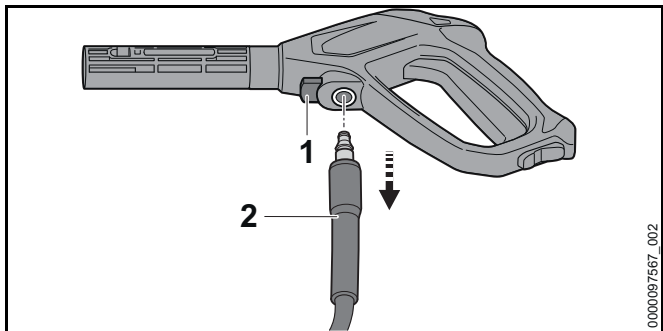
Pour réduire le risque de blessures graves causées par un jet à haute pression, coupez toujours le nettoyeur à pression, coupez l'alimentation en eau, déchargez toute pression résiduelle dans le système et verrouillez la gâchette du pistolet de pulvérisation avant de tenter d'enlever ou de démonter le pistolet ou la lance de pulvérisation.

Pour enlever le pistolet de pulvérisation et la lance :

- ▶ Éteignez le nettoyeur à pression,  10.2.
- ▶ Débranchez le nettoyeur à pression de l'alimentation électrique.
- ▶ Fermez l'arrivée d'eau.
- ▶ Appuyez sur la gâchette du pistolet de pulvérisation pour relâcher la pression.
- ▶ Verrouillez la gâchette du pistolet de pulvérisation.



- ▶ Appuyez la lance de pulvérisation (1) contre le pistolet de pulvérisation (2) et sortez la lance de pulvérisation (1).



- ▶ Appuyez sur le levier de verrouillage (1) et maintenez-le enfoncé.
- ▶ Sortez le tuyau haute pression (2) .

8.4 Insertion et retrait de la buse de pulvérisation

8.4.1 Insertion de la buse de pulvérisation

AVERTISSEMENT


Pour réduire le risque de blessures graves causées par une pulvérisation non intentionnelle, éteignez le nettoyeur à pression, réduisez la pression du système et verrouillez la gâchette du pistolet de pulvérisation avant d'essayer de régler ou de changer une buse de pulvérisation ou un autre accessoire.

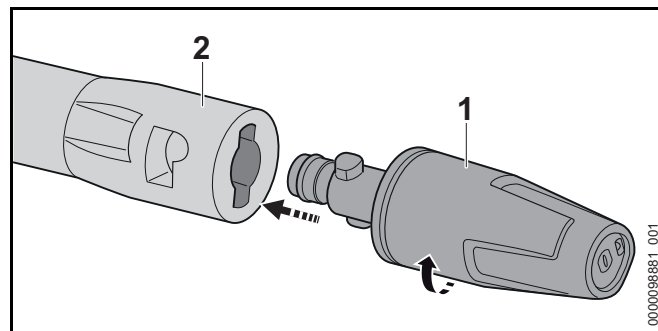
AVERTISSEMENT

Si la fixation de la buse est incorrecte, elle risque d'être projetée de la lance de pulvérisation pendant le fonctionnement et provoquer des blessures. Assurez-vous que la buse est solidement fixée dans l'accouplement rapide.

Le nettoyeur à pression est proposé avec deux buses à pression qui peuvent être raccordées à la lance de pulvérisation.

Pour insérer la buse de pulvérisation :

- ▶ Éteignez le nettoyeur à pression,  10.2.
- ▶ Appuyez sur la gâchette du pistolet de pulvérisation pour relâcher la pression.
- ▶ Verrouillez la gâchette du pistolet de pulvérisation.
- ▶ Retirez complètement le sable et les débris des raccords et accouplements.




- ▶ Fixez la buse haute pression (1) à la lance de pulvérisation (2).
- ▶ Poussez la buse haute pression (1) jusqu'à ce qu'elle entre dans la lance de pulvérisation (2).
- ▶ Une fois inséré, tournez la buse haute pression dans le sens des aiguilles d'une montre jusqu'à ce qu'elle s'enclenche.
- ▶ Si la buse haute pression est difficile à insérer dans la lance de pulvérisation, appliquez une graisse de raccord alimentaire sur la surface d'étanchéité de la lance de pulvérisation.

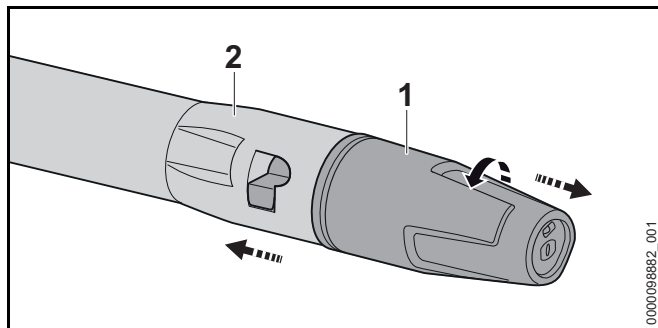
8.4.2 Retrait de la buse de pulvérisation

! AVERTISSEMENT

Pour réduire le risque de blessures graves causées par une pulvérisation non intentionnelle, éteignez le nettoyeur à pression, réduisez la pression du système et verrouillez la gâchette du pistolet de pulvérisation avant d'essayer de régler ou de changer une buse de pulvérisation ou un autre accessoire.

Pour retirer la buse de pulvérisation :

- ▶ Éteignez le nettoyeur à pression,  10.2.
- ▶ Appuyez sur la gâchette du pistolet de pulvérisation pour relâcher la pression.
- ▶ Verrouillez la gâchette du pistolet de pulvérisation.



- ▶ Appuyez la buse haute pression (1) contre la lance de pulvérisation (2) et retirez la buse (1).

9 Raccordement de l'alimentation en eau

9.1 Raccordement du nettoyeur à pression au réseau d'alimentation en eau potable

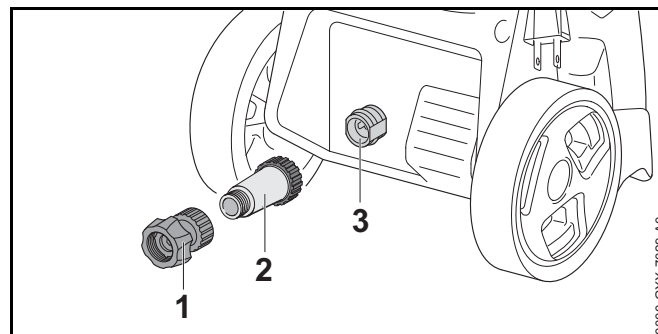
! AVERTISSEMENT

Assurez-vous que le nettoyeur à pression est éteint et débranché de l'alimentation électrique avant de le brancher ou de le débrancher de l'alimentation en eau du réseau.

Raccordement du filtre à eau

Si le nettoyeur à pression doit être utilisé avec de l'eau sablonneuse ou avec de l'eau provenant de citernes, un filtre à eau doit être raccordé en ligne entre le tuyau d'eau et le nettoyeur haute pression. Le filtre à eau filtre le sable et la saleté de l'eau et protège ainsi les composants du nettoyeur à pression contre les dommages.

Pour raccorder le filtre à eau :




- ▶ Dévissez les accouplements (1).
- ▶ Vissez le filtre à eau (2) sur le connecteur (3) et serrez à la main.
- ▶ Vissez l'accouplement (1) sur le filtre à eau (2) et serrez à la main.

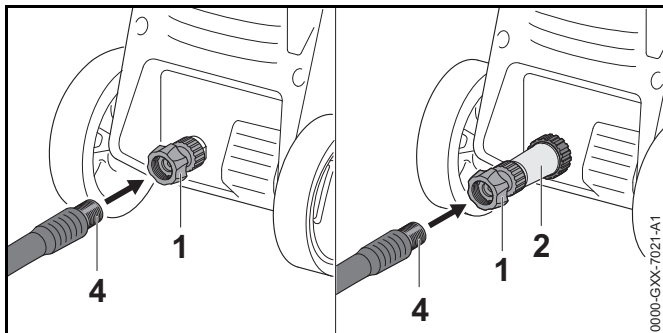
Raccordement du tuyau à eau

L'approvisionnement en eau doit répondre aux exigences suivantes :


- Longueur minimale du tuyau à eau : 30 ft. (10 m)
- Pression d'entrée maximale de l'eau : 145 psi (1 MPa / 10 bar)

Pour raccorder le nettoyeur à pression au réseau d'alimentation en eau potable :

- ▶ Éteignez le nettoyeur à pression,  10.2.
- ▶ Débranchez le nettoyeur à pression de l'alimentation électrique.
- ▶ Retirez complètement le sable et les débris des raccords et accouplements.
- ▶ Raccordez le tuyau à eau à la source d'eau.
- ▶ Ouvrez complètement le robinet pour éliminer le sable ou la saleté du tuyau.
- ▶ Fermez l'arrivée d'eau.



- ▶ STIHL recommande de fixer le filtre à eau (2). Le filtre à eau aide à garder le sable et la saleté hors de la pompe, aidant ainsi à protéger les composants contre les dommages.
- ▶ Vissez l'accouplement (1) sur le nettoyeur à pression ou sur le filtre à eau (2) et serrez à la main.
- ▶ Raccordez le tuyau à eau (4).
- ▶ Si la lance de pulvérisation est fixée au pistolet de pulvérisation : retirez la lance de pulvérisation.


- ▶ Ouvrez l'arrivée d'eau.
- ▶ Appuyez sur la gâchette du pistolet jusqu'à ce qu'un jet d'eau constant et régulier soit délivré par le pistolet.
- ▶ Éteignez le nettoyeur à pression.
- ▶ Verrouillez la gâchette du pistolet de pulvérisation.
- ▶ Connectez la lance de pulvérisation.
- ▶ Insérez la buse,  8.4.1.

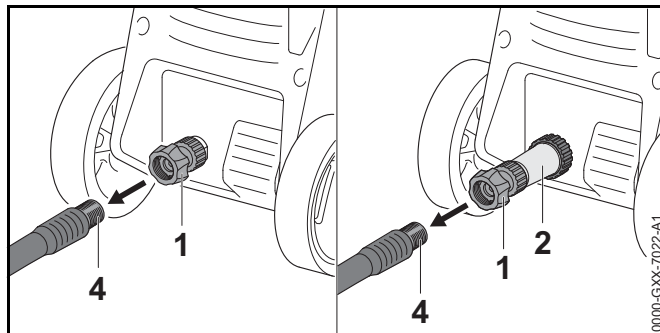
AVIS

Un fonctionnement du nettoyeur à pression sans eau entraînera une surchauffe de la pompe avec risque de dommage permanent. Branchez et ouvrez toujours l'arrivée d'eau vers la pompe avant de démarrer le moteur. Ne faites pas fonctionner le nettoyeur à pression sans eau.

Débrancher le tuyau à eau

Pour débrancher le tuyau à eau :

- ▶ Éteignez le nettoyeur à pression,  10.2.
- ▶ Débranchez le nettoyeur à pression de l'alimentation électrique.
- ▶ Fermez l'arrivée d'eau.
- ▶ Appuyez sur la gâchette du pistolet de pulvérisation pour relâcher la pression.
- ▶ Verrouillez la gâchette du pistolet de pulvérisation.



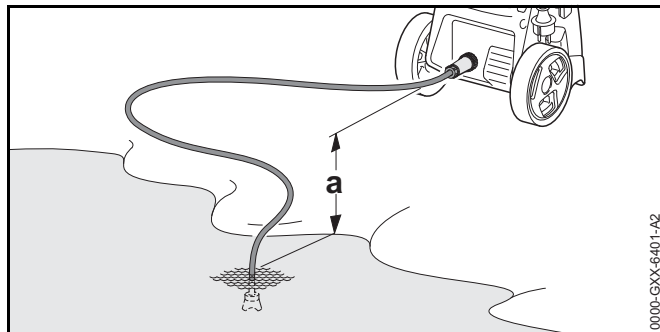
- ▶ Retirez le tuyau d'eau (4) de l'accouplement (1) sur le nettoyeur à pression ou le filtre à eau (2).


9.2 Raccordement du nettoyeur à pression à une autre source d'eau

! AVERTISSEMENT

Assurez-vous que le nettoyeur à pression est éteint et débranché de l'alimentation électrique avant de le brancher ou de le débrancher d'une autre source d'eau.

Le nettoyeur à pression peut aspirer l'eau des citernes et des réservoirs d'eau et des plans d'eau courante ou stagnante.



Pour que l'eau puisse être aspirée, la différence de hauteur entre le nettoyeur à pression et la source d'eau ne doit pas dépasser la hauteur d'aspiration maximale (a),  18.1.

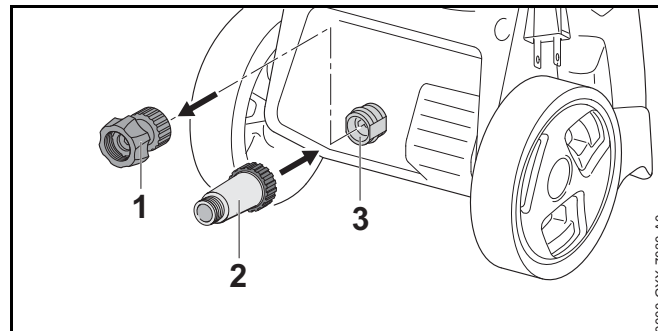
Le kit d'aspiration STIHL approprié doit être utilisé. Le kit d'aspiration comprend un tuyau d'eau avec un accouplement spécial.

Selon le marché, le kit d'aspiration STIHL approprié peut être fourni avec le nettoyeur à pression.

Raccordement du filtre à eau

Si le nettoyeur à pression fonctionne avec de l'eau sablonneuse provenant de bords d'eau, de citernes ou de plans d'eau courante ou stagnante, un filtre à eau doit être raccordé en ligne entre le tuyau d'eau et le nettoyeur à pression.

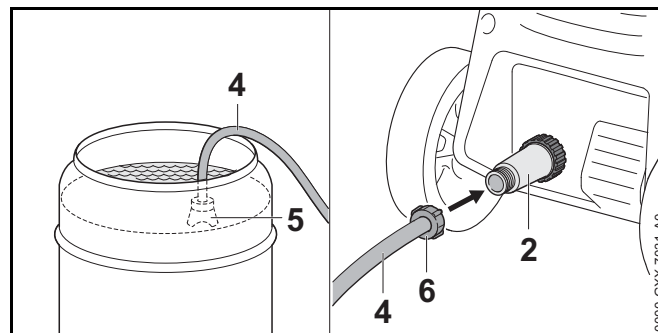
Pour raccorder le filtre à eau :



- ▶ Dévissez les accouplements (1).
- ▶ Vissez le filtre à eau (2) sur le connecteur (3) et serrez à la main.

Raccordement du tuyau à eau

Pour raccorder le nettoyeur à pression à une autre source d'eau :





- ▶ Remplissez le tuyau d'eau (4) avec de l'eau jusqu'à ce qu'il n'y ait plus d'air dans le tuyau d'eau.
- ▶ Vissez le raccord (6) sur le filtre à eau (2) et serrez à la main.
- ▶ Suspendez la ventouse (5) dans la source d'eau afin que la ventouse (5) ne touche pas le fond.
- ▶ Si le pistolet de pulvérisation est fixé au tuyau haute pression : retirez le pistolet de pulvérisation.

- ▶ Maintenez le tuyau haute pression vers le bas.
- ▶ Mettez le nettoyeur à pression en marche et faites-le fonctionner jusqu'à ce qu'un jet d'eau régulier soit fourni par le tuyau haute pression.
- ▶ Éteignez le nettoyeur à pression.
- ▶ Fixez le pistolet de pulvérisation au tuyau haute pression.
- ▶ Appuyez sur la gâchette du pistolet de pulvérisation et maintenez-la enfoncée.
- ▶ Allumez le nettoyeur à pression.

10 Mise en marche et arrêt du nettoyeur à pression

10.1 Mise en marche

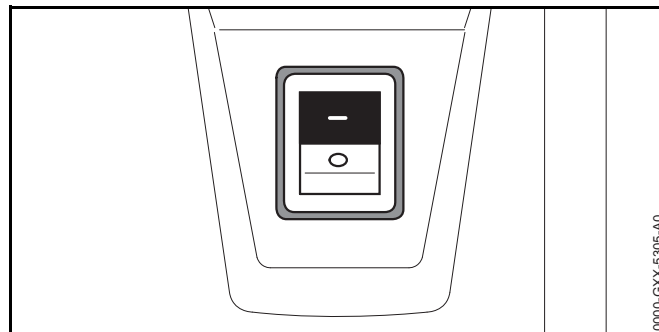
AVERTISSEMENT

N'utilisez jamais votre nettoyeur à pression s'il est endommagé, mal réglé ou mal entretenu ou s'il n'est pas assemblé entièrement et de manière sécurisée ou encore s'il ne fonctionne pas correctement,  5.5. Pour réduire tout risque de blessure, portez toujours des vêtements adaptés et une combinaison de protection, y compris une protection oculaire appropriée, lorsque vous utilisez votre nettoyeur à pression,  5.4

Avant la mise en marche :

- ▶ Assurez-vous d'avoir une position stable et sécurisée.
- ▶ Tenez-vous debout.
- ▶ Tenez et actionnez toujours le nettoyeur à pression d'une main fermement sur le pistolet de pulvérisation et de l'autre main fermement sur la lance de pulvérisation. Tenez toujours le nettoyeur à pression à deux mains de cette manière.

Pour allumer le nettoyeur à pression :



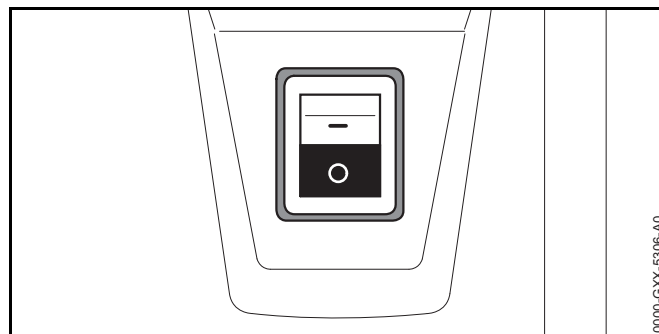
- ▶ Mettez l'interrupteur en position **I**.

AVIS

Lorsque le nettoyeur à pression est allumé, des fluctuations de tension peuvent se produire dans des conditions défavorables du réseau avec une impédance de ligne d'alimentation supérieure à 0,15 Ohm. Les fluctuations de tension peuvent affecter négativement les autres appareils électriques connectés.

10.2 Mise à l'arrêt

Pour éteindre le nettoyeur à pression :



- ▶ Mettez l'interrupteur en position **0**.

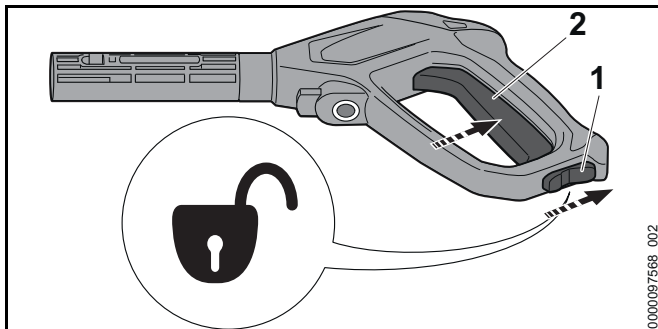
11 Pendant l'utilisation

11.1 Activation et verrouillage de la gâchette du pistolet de pulvérisation

Le nettoyeur à pression est conçu pour être utilisé avec les deux mains.

Activation de la gâchette du pistolet de pulvérisation

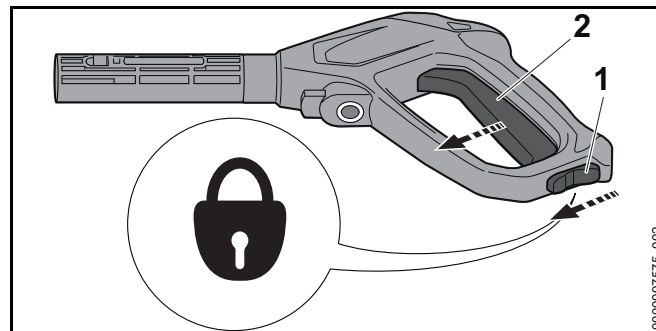
Pour tirer sur la gâchette du pistolet de pulvérisation :



- ▶ Faites glisser le verrou de retenue (1) en position ☞.
- ▶ Appuyez et maintenez la gâchette du pistolet de pulvérisation (2).
La pompe à pression démarre automatiquement et l'eau s'écoule de la buse.

Verrouillage de la gâchette du pistolet de pulvérisation

Pour verrouiller la gâchette du pistolet de pulvérisation :



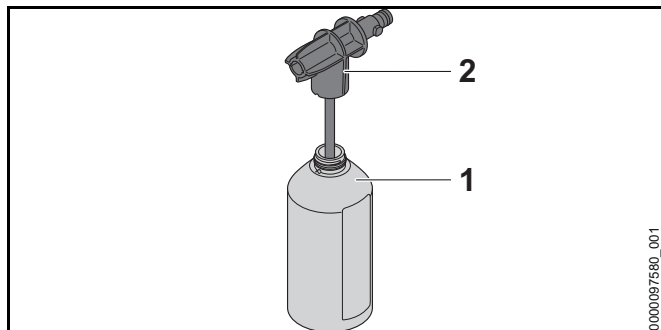
- ▶ Relâchez la gâchette du pistolet de pulvérisation (2).
La pompe haute pression s'arrête automatiquement lorsque vous relâchez la gâchette du pistolet de pulvérisation. L'eau cesse de s'écouler de la buse, mais le nettoyeur à pression reste en marche.
- ▶ Glissez le verrou de retenue (1) en position ☞ pour verrouiller la gâchette du pistolet de pulvérisation.

11.2 Ajout de détergents

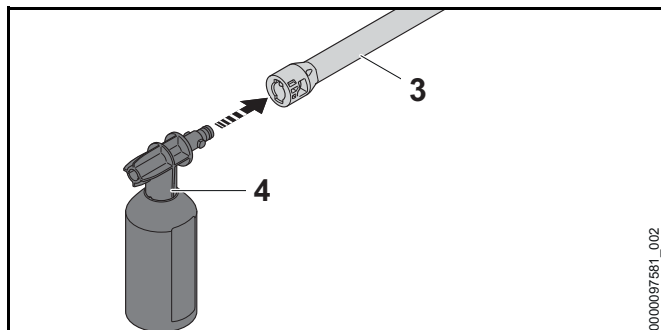
⚠ AVERTISSEMENT

L'utilisation de détergents ou de produits de nettoyage inadaptés peut provoquer des lésions corporelles et des dommages au nettoyeur à pression et/ou à la surface nettoyée. Lisez et suivez toujours les avertissements et les instructions du fabricant du détergent concernant la préparation, la dilution, l'utilisation et l'élimination correctes. Les détergents peuvent améliorer l'effet nettoyant de l'eau.

Utilisez le set de pulvérisation de détergent pour ajouter des détergents :



- ▶ Lisez et suivez toujours les instructions fournies par le fabricant du détergent avant de commencer le travail.
- ▶ STIHL recommande de tremper les surfaces avec de l'eau avant d'appliquer le détergent.
- ▶ Remplissez la bouteille de détergent (1) avec jusqu'à 16,9 oz. (500 ml) de détergent.
- ▶ Vissez la buse de détergent (2) sur la bouteille de détergent et serrez-le fermement à la main.



- ▶ Fixez le set de pulvérisation de détergent (4) à la lance de pulvérisation (3).
- ▶ Pulvérisez le détergent sur la surface à nettoyer.
- ▶ Lorsque vous appliquez du détergent, commencez pas le bas de la surface et travaillez vers le haut. Ne laissez pas sécher le détergent.

Après l'application du détergent :

- ▶ Éteignez le nettoyeur à pression, 10.2.
- ▶ Relâchez la pression du système.
- ▶ Verrouillez la gâchette du pistolet de pulvérisation.
- ▶ Retirez le set de pulvérisation de détergent.
- ▶ Remettez en place la buse à jet hélicoïdal ou la buse à jet rotatif.
- ▶ Pulvérisez la surface jusqu'à ce qu'elle soit propre et que le détergent restant soit lavé.
- ▶ Lorsque vous rincez le détergent, commencez par le haut de la surface et travaillez vers le bas.

11.3 Nettoyage

AVERTISSEMENT

Pour réduire tout risque de blessure, ne travaillez jamais avec le nettoyeur à pression sous la pluie, 5.5. Portez toujours des vêtements adéquats et une combinaison de protection ainsi qu'une protection oculaire appropriée, lorsque vous utilisez votre nettoyeur à pression, 5.4. Tenez les passants à l'écart de la zone de travail, 5.8.4. Travaillez avec prudence et gardez une bonne maîtrise du nettoyeur à pression, 5.8.2.

AVERTISSEMENT

Pour réduire le risque d'injection de liquide et/ou de blessures graves, gardez les mains, les pieds ou toute autre partie de votre corps loin du jet d'eau en tout temps et ne dirigez jamais le jet haute pression vers vous-même ou d'autres personnes, pas même pour nettoyer les vêtements ou les chaussures, 5.8.4. Ne dirigez pas le jet à haute pression sur des animaux.

Selon l'application, les buses suivantes peuvent être utilisées :

- Buse à jet hélicoïdal : La buse à jet hélicoïdal est conçue pour le nettoyage de grandes surfaces.
- Buse à jet rotatif : La buse à jet rotatif est conçue pour éliminer les saletés tenaces.

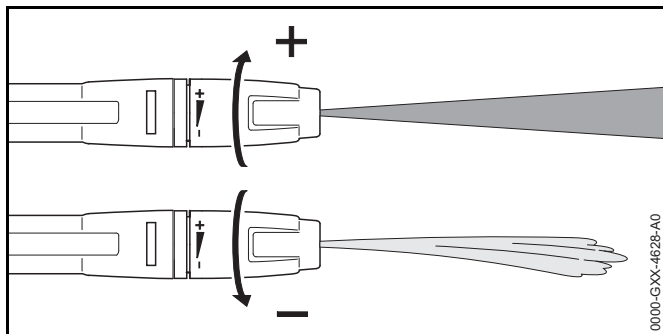
- ▶ Si vous voulez enlever les saletés tenaces, réduisez la distance entre la buse et la surface.
- ▶ Si vous voulez enlever la saleté des surfaces peintes, en bois ou d'autres surfaces potentiellement sensibles, augmentez la distance entre la buse et la surface.

Pour régler la buse à jet hélicoïdal :

⚠ AVERTISSEMENT

Pour réduire le risque de blessures par pulvérisation à haute pression, éteignez toujours le nettoyeur à pression, déchargez toute pression résiduelle dans le système et verrouillez la gâchette du pistolet de pulvérisation avant d'essayer d'insérer, d'ajuster ou d'enlever la buse de pulvérisation.

- ▶ Éteignez le nettoyeur à pression.
- ▶ Relâchez la pression du système.
- ▶ Verrouillez la gâchette du pistolet de pulvérisation.

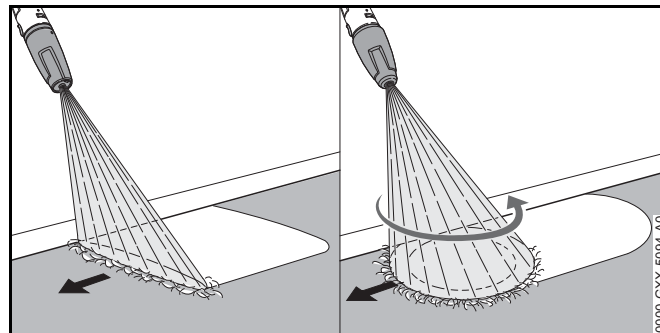


- ▶ Tournez la buse à jet hélicoïdal dans le sens (+) pour augmenter la pression de service.
- ▶ Tournez la buse à jet hélicoïdal dans le sens (-) pour réduire la pression de service.

Pour nettoyer :

- ▶ Avant de commencer le travail, dirigez le jet d'eau vers une zone discrète de la surface et vérifiez que la surface n'est pas endommagée.
- ▶ Travaillez à une distance qui vous permet de nettoyer efficacement la surface sans l'endommager.

- ▶ Réglez la buse à jet hélicoïdal et la distance par rapport à la surface à nettoyer afin de s'assurer que la surface ne sera pas endommagée par le jet.





- ▶ Déplacez l'outil de pulvérisation uniformément le long de la surface à nettoyer.
- ▶ Avancez lentement et de façon contrôlée.

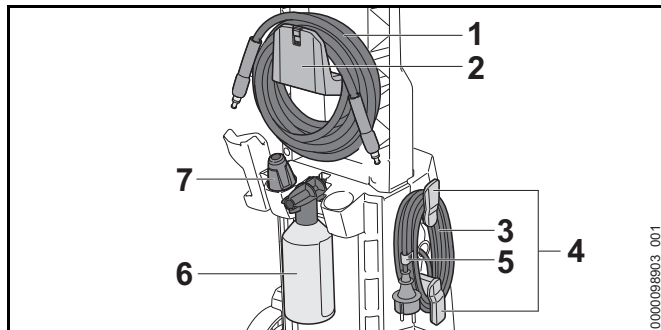
12 Après avoir terminé le travail

12.1 Préparation pour le transport ou l'entreposage

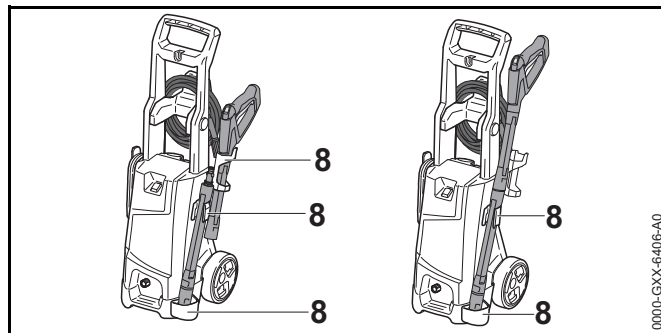
Pour préparer le nettoyeur à pression en vue du transport ou de l'entreposage :

- ▶ Éteignez le nettoyeur à pression,  10.2.
- ▶ Débranchez le nettoyeur à pression de l'alimentation électrique.
- ▶ Débranchez le nettoyeur à pression de l'alimentation d'eau.
- ▶ Appuyez sur la gâchette du pistolet de pulvérisation pour relâcher toute pression restante dans le système.
- ▶ Verrouillez la gâchette du pistolet de pulvérisation.
- ▶ Débranchez le tuyau à eau.
- ▶ Retirez et nettoyez la buse et la lance de pulvérisation.
- ▶ Retirez le pistolet de pulvérisation et laissez le reste de l'eau s'écouler du pistolet de pulvérisation.

- ▶ Si le nettoyeur à pression est exposé à des températures de gel, protégez-le avec de l'antigel ou prenez d'autres mesures décrites ci-dessous,  12.2.
- ▶ Nettoyez le nettoyeur à pression.



- ▶ Enroulez le tuyau haute pression (1) et rangez-le sur le support (2).
- ▶ Enroulez le cordon d'alimentation (3) et suspendez-le aux supports (4).
- ▶ Fixez le cordon d'alimentation avec le clip (5).
- ▶ Insérez le kit de pulvérisation de détergent (6).
- ▶ Insérez la buse (7).






- ▶ Placez l'outil de pulvérisation dans l'un des supports (8).

12.2 Protection du nettoyeur à pression dans des conditions hivernales

Retrait de l'eau du système

Pour retirer l'eau restante du système :

- ▶ Éteignez le nettoyeur à pression,  10.2.
- ▶ Débranchez le nettoyeur à pression de l'alimentation électrique.
- ▶ Fermez l'arrivée d'eau.
- ▶ Relâchez la pression du système.
- ▶ Retirez le tuyau haute pression,  8.2.2.
- ▶ Débranchez le tuyau à eau,  9.
- ▶ Vidangez l'eau du tuyau haute pression et du tuyau d'eau.
- ▶ Branchez le cordon d'alimentation à une prise électrique correctement installée qui correspond à la tension et à la fréquence électrique indiquées sur la plaque signalétique du nettoyeur à pression.
- ▶ Allumez le nettoyeur à pression et laissez la pompe fonctionner pendant 30 secondes jusqu'à ce que le débit d'eau s'arrête. L'eau restante sera éliminée du système.
- ▶ Coupez le nettoyeur à pression et débranchez-le de l'alimentation électrique.

AVIS

Les températures givrantes peuvent endommager les composants du nettoyeur à pression. STIHL recommande d'entreposer le nettoyeur à pression à l'intérieur dans un endroit sec, à l'abri du gel. Relâchez toute la pression du système et assurez-vous que toute l'eau est éliminée du système de pompe et des tuyaux avant le stockage.

Protection du nettoyeur haute pression avec de l'antigel

AVERTISSEMENT

Lorsque vous utilisez de l'antigel pour protéger votre nettoyeur à pression en hiver, respectez tous les avertissements et instructions fournis par le fabricant afin de réduire le risque de blessures graves par ingestion ou contamination de l'environnement.

Si le nettoyeur à pression doit être exposé à des températures de congélation, il doit être protégé par un antigel à base de glycol. L'antigel empêche l'eau à l'intérieur du nettoyeur à pression de geler et d'endommager le nettoyeur haute pression.

Pour protéger du nettoyeur à pression avec de l'antigel :

- ▶ Évacuez l'eau du tuyau haute pression.
- ▶ Débranchez la lance de pulvérisation du pistolet de pulvérisation.
- ▶ Raccordez le tuyau d'eau le plus court possible au nettoyeur à pression. Plus le tuyau d'eau est court, moins il faut d'antigel.
- ▶ Dirigez la lance de pulvérisation vers le bas et attendez que toute l'eau se soit écoulée du système.
- ▶ Versez l'antigel dans un contenant propre.
- ▶ Raccordez un tuyau d'aspiration à l'entrée d'eau de la pompe haute pression et placez l'autre extrémité du tuyau dans le contenant d'antigel.
- ▶ Pressez et maintenez la gâchette du pistolet de pulvérisation.
- ▶ Allumez le nettoyeur à pression.
- ▶ Maintenez la gâchette du pistolet de pulvérisation jusqu'à ce qu'un jet uniforme d'antigel soit délivré par le pistolet de pulvérisation. Gardez le pistolet de pulvérisation dans le contenant et suivez les instructions du fournisseur d'antigel pour éviter tout rejet dans l'environnement.
- ▶ Appuyez plusieurs fois sur la gâchette du pistolet de pulvérisation et relâchez-la.
- ▶ Coupez le nettoyeur à pression et débranchez-le de l'alimentation électrique.
- ▶ Détachez le pistolet de pulvérisation, le tuyau haute pression et le tuyau d'eau et laissez l'antigel s'écouler dans le contenant.
- ▶ Collectez et éliminez l'antigel conformément aux spécifications du fabricant et à toutes les lois, réglementations et ordonnances fédérales, provinciales et locales.

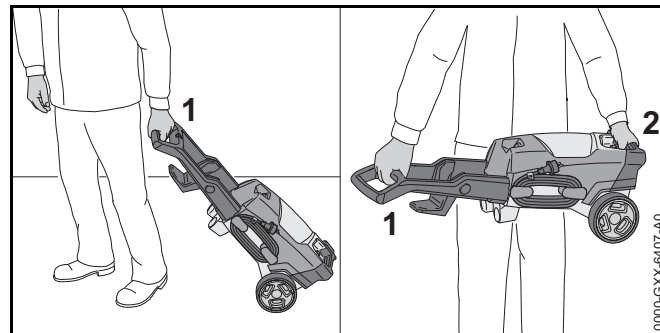
AVIS

Les températures givrantes peuvent endommager les composants du nettoyeur à pression. STIHL recommande d'entreposer le nettoyeur à pression à l'intérieur dans un endroit sec, à l'abri du gel. Relâchez toute la pression du système et assurez-vous que toute l'eau est éliminée du système de pompe et des tuyaux avant le stockage.

13 Transport

13.1 Transport du nettoyeur à pression

Lors du transport du nettoyeur à pression :





- ▶ Tirez le nettoyeur à pression par la poignée (1) d'une main, ou portez le nettoyeur à pression par la barre de poussée (1) et la poignée de transport (2).
- ▶ Lorsque vous transportez le nettoyeur à pression dans un véhicule, assurez-vous que le nettoyeur à pression est debout, couché sur le dos, fixé avec des sangles d'arrimage, des courroies ou un filet et qu'il ne peut pas basculer ou se déplacer.



14 Rangement

14.1 Entreposage du nettoyeur à pression

⚠ AVERTISSEMENT

Entreposez le nettoyeur à pression à l'intérieur dans un endroit sec et protégé, hors de portée des enfants et des autres utilisateurs non autorisés,  5.5. Un entreposage inadéquat peut entraîner une utilisation non autorisée et endommager le nettoyeur à pression,  5.5.

Si vous entreposez le nettoyeur à pression pendant trois mois ou plus :

- ▶ Nettoyez le nettoyeur à pression,  15.1.
- ▶ Entreposez le nettoyeur à pression à l'intérieur dans un endroit sec et protégé, hors de portée des enfants et des autres personnes non autorisées.
- ▶ Si le nettoyeur à pression ne peut pas être entreposé dans une pièce où il est à l'abri du gel, protégez le nettoyeur à pression ou comme indiqué ci-dessus,  12.2.


AVIS

Les températures givrantes peuvent endommager les composants du nettoyeur à pression. STIHL recommande d'entreposer le nettoyeur à pression à l'intérieur dans un endroit sec, à l'abri du gel. Relâchez toute la pression du système et assurez-vous que toute l'eau est éliminée du système de pompe et des tuyaux avant le stockage.

15 Nettoyage

15.1 Nettoyage du nettoyeur à pression

⚠ AVERTISSEMENT

Avant d'effectuer les travaux de nettoyage spécifiés dans le présent chapitre  6, prenez certaines mesures pour réduire le risque de blessures corporelles en cas d'activation involontaire : éteignez le nettoyeur à pression et débranchez

l'appareil de l'alimentation électrique. Relâchez toute la pression du système en appuyant sur la gâchette et verrouillez la gâchette du pistolet de pulvérisation.

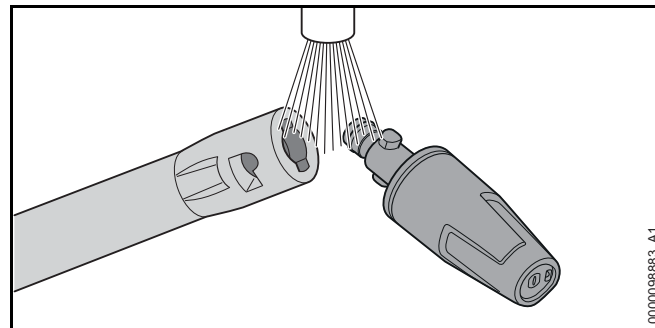
Pour nettoyer le nettoyeur à pression :

- ▶ Nettoyez les composants polymères, les accouplement et les connecteurs du nettoyeur à pression à l'aide d'un chiffon légèrement humide. N'utilisez pas d'abrasifs ou de solvants susceptibles d'endommager les composants polymères du nettoyeur haute pression.
- ▶ N'utilisez pas de nettoyeur à pression ou ne vaporisez pas d'eau ou d'autres liquides pour nettoyer l'appareil.

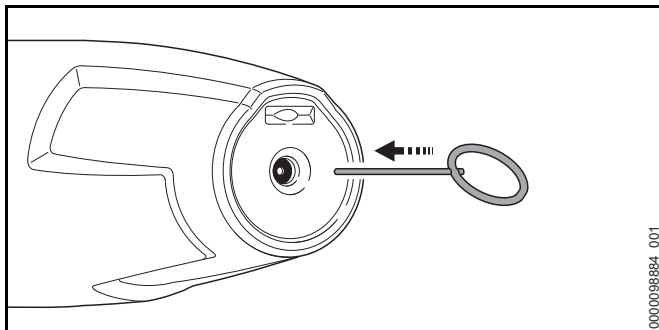
15.2 Nettoyage de la buse et de la lance de pulvérisation

Une buse à haute pression bouchée peut donner lieu à une pression excessive dans la pompe. Nettoyez la buse à haute pression si elle est bouchée.

Pour nettoyer la buse et la lance de pulvérisation :



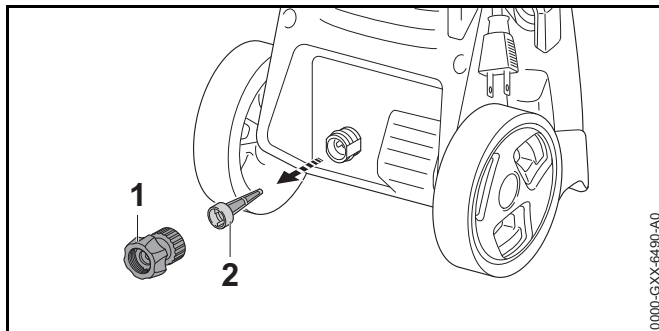
- ▶ Rincez la buse et la lance de pulvérisation sous l'eau courante et séchez-les avec un chiffon.



- ▶ Si la buse est bloquée, utilisez l'aiguille de nettoyage pour dégager l'ouverture.

15.3 Nettoyage de la grille de prise d'eau

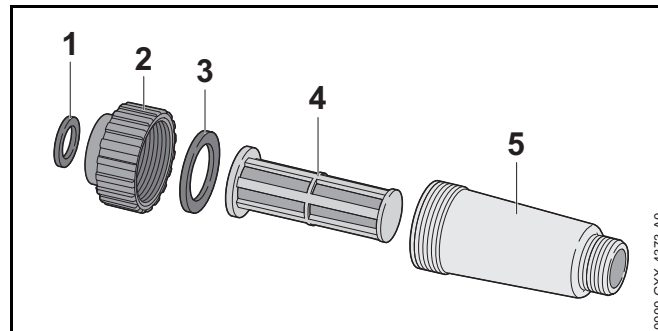
Pour nettoyer la grille de prise d'eau



- ▶ Dévissez les accouplements (1).
- ▶ Retirez la grille de prise d'eau (2).
- ▶ Rincez la grille de prise d'eau sous l'eau chaude courante.
- ▶ Réinsérez la grille de prise d'eau.
- ▶ Vissez l'accouplement et serrez-le à la main.

15.4 Nettoyage du filtre à eau





Pour nettoyer le filtre à eau :



- ▶ Retirez le joint (1) de la fixation (2).
- ▶ Dévissez la fixation du boîtier du filtre (5).
- ▶ Retirez le joint (3) de la fixation.
- ▶ Retirez l'élément filtrant (4) du boîtier du filtre.
- ▶ Rincez les joints, la fixation et le filtre sous l'eau chaude courante.
- ▶ Graisser les joints avec de la graisse sans danger pour les aliments.
- ▶ Remontez le filtre à eau.


16 Inspection et maintenance

16.1 Tableau d'inspection et d'entretien

Les intervalles de maintenance suivants sont des exemples et s'appliquent à des conditions de fonctionnement normales. L'utilisation réelle et votre expérience détermineront la fréquence des inspections et de l'entretien requis.		Avant le travail	Après avoir terminé le travail	Hebdomadaire	Chapitre pertinent Chapitre pertinent
Machine complète	Inspection visuelle	X			
	Nettoyer		X		 15.1
Connecteurs sur le flexible haute pression	Nettoyer		X		
Coupleur sur la lance de pulvérisation et le pistolet de pulvérisation	Nettoyer	X			 15.2
Grille d'admission d'eau à l'entrée de la pompe haute pression	Nettoyer			X	 15.3
Buse à haute pression	Nettoyer		X		 15.2

16.2 Inspection et entretien du nettoyeur à pression

! AVERTISSEMENT

Avant d'effectuer les travaux d'entretien spécifiés dans le présent chapitre  6, prenez certaines mesures pour réduire le risque de blessures corporelles en cas d'activation involontaire : éteignez le nettoyeur à pression et débranchez l'appareil de l'alimentation électrique. Relâchez toute la pression du système et verrouillez la gâchette du pistolet de pulvérisation.

Une maintenance correcte du nettoyeur à pression inclut les activités suivantes :

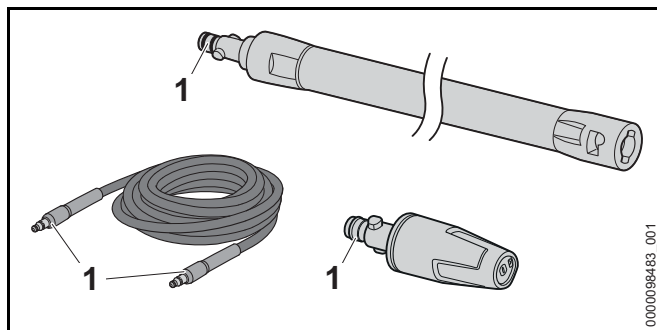
- ▶ Inspecter périodiquement les tuyaux, les accouplements, les raccords, les connecteurs et les joints et faire remplacer un composant usé.
- ▶ Faites remplacer les étiquettes de sécurité usées, manquantes ou endommagées par un distributeur agréé STIHL.

La pompe est pré-remplie d'huile de pompe et ne nécessite pas de remplacement ou d'entretien.

Si vous faites une demande de garantie pour un composant qui n'a pas été réparé ou entretenu correctement, la couverture peut être refusée.

16.3 Lubrification des joints

Pour lubrifier les joints :








- ▶ Graissez les joints (1) avec de la graisse sans danger pour les aliments.



17 Guide de dépannage

17.1 Nettoyeur à pression

Avant le dépannage, coupez le nettoyeur à pression et débranchez-le de l'alimentation électrique. Relâchez toute la pression du système en appuyant sur la gâchette. Verrouillez la gâchette du pistolet.

Situation	Cause possible	Solution
Le nettoyeur haute pression ne démarre pas bien que la gâchette du pistolet de pulvérisation soit actionnée.	Le cordon d'alimentation n'est pas branché à une prise électrique.	<ul style="list-style-type: none"> ▶ Branchez le cordon d'alimentation à une prise électrique correctement installée.
	Le moteur électrique est trop chaud.	<ul style="list-style-type: none"> ▶ Laissez refroidir le nettoyeur à pression à température ambiante pendant environ 5 minutes. ▶ Nettoyez la buse,  15.2.
Le nettoyeur à pression ne démarre pas lorsqu'il est mis en marche. Le moteur électrique ronfle.	La tension secteur est trop basse.	<ul style="list-style-type: none"> ▶ Tirez et maintenez la gâchette du pistolet de pulvérisation et mettez en marche le nettoyeur à pression. ▶ Coupez les autres charges connectées au même circuit électrique.
Le nettoyeur haute pression s'éteint pendant le fonctionnement.	Le cordon d'alimentation n'est pas branché à une prise électrique.	<ul style="list-style-type: none"> ▶ Branchez le cordon d'alimentation à une prise électrique correctement installée.
	Le moteur électrique est trop chaud.	<ul style="list-style-type: none"> ▶ Laissez refroidir le nettoyeur à pression à température ambiante pendant environ 5 minutes. ▶ Nettoyez la buse,  15.2.
La pompe haute pression se met en marche et s'arrête à plusieurs reprises sans appuyer sur la gâchette du pistolet de pulvérisation.	Il y a une fuite dans la pompe haute pression, le tuyau haute pression ou l'outil de pulvérisation.	<ul style="list-style-type: none"> ▶ Faites examiner et réparer le nettoyeur à pression par un distributeur agréé STIHL avant de les utiliser.
La pression de l'eau fluctue ou chute.	Il n'y a pas assez d'eau.	<ul style="list-style-type: none"> ▶ Ouvrez complètement le robinet d'eau. ▶ Assurez-vous qu'une quantité suffisante d'eau est disponible.
	La buse est bloquée.	<ul style="list-style-type: none"> ▶ Nettoyez la buse,  15.2.
	La grille de prise d'eau ou le filtre à eau est bloqué.	<ul style="list-style-type: none"> ▶ Nettoyez la grille de prise d'eau et le filtre à eau,  15.3 et  15.4.

Avant le dépannage, coupez le nettoyeur à pression et débranchez-le de l'alimentation électrique. Relâchez toute la pression du système en appuyant sur la gâchette. Verrouillez la gâchette du pistolet.

Situation	Cause possible	Solution
	La pompe haute pression, le tuyau haute pression ou l'outil de pulvérisation fuit ou est défectueux.	► Demandez à un distributeur agréé STIHL d'inspecter le nettoyeur à pression.
La forme du jet d'eau a changé.	La buse est bloquée.	► Nettoyez la buse,  15.2.
	La buse est usée.	► Insérez une nouvelle buse.
Le détergent n'est pas aspiré.	Le réservoir de détergent est vide.	► Remplissez le réservoir de détergent.
	La buse de kit de pulvérisation de détergent est bloquée.	► Nettoyez la buse de kit de pulvérisation de détergent.
Les raccords du nettoyeur à pression, du tuyau haute pression, du pistolet de pulvérisation ou de la lance de pulvérisation sont rigides.	Les joints des raccords n'ont pas été graissés.	► Graissez les joints.  16.3

18 Spécifications

18.1 STIHL RE 90.0

Pour un usage domestique.

- Poids avec outil de pulvérisation et tuyau haute pression : environ 17,7 lbs (8 kg)

Électriques

- Fusible (caractéristique "C" ou "D" basée sur la norme UL 489) : 15 A
- Tension d'alimentation : 120 V
- Fréquence : 60 Hz
- Courant nominal : 13 A
- Isolation : classe II (double isolation)

Pompe à haute pression

- Pression nominale : 1050 psi (7,2 MPa / 72 bar)
- Pression maximale : 1450 psi (10 MPa / 100 bar)
- Débit d'eau minimum : 1,5 gpm (5,5 l/min)
- Débit d'eau maximum : 1,9 gpm (7,2 l/min)
- Hauteur d'aspiration maximale depuis une cuve : 1,6 ft. (0,5 m)
- Température d'eau maximale en mode pression : 104 °F (40 °C)

Alimentation en eau

- Longueur minimale du tuyau à eau : 30 ft. (10 m)
- Pression minimale : 14,5 psi (0,1 MPa / 1 bar)
- Pression d'entrée maximale de l'eau : 145 psi (1 MPa / 10 bar)
- Température d'eau maximale : 104 °F (40 °C)

Données dépendantes de la pression ont été mesurées à une pression d'entrée de 0,3 MPa (44 psi).

18.2 Symboles sur le nettoyeur à pression

Symbole	Explication
A	Ampère
V	Volt
Hz	Hertz
kW	Kilowatt
t	Température
p	Pression
Q	Débit d'eau
m	Poids



La gâchette du pistolet de pulvérisation est verrouillée.



La gâchette du pistolet de pulvérisation est déverrouillée.



Vidangez le vaporisateur de détergent avant transport ou fixez-le de manière à ce qu'il ne puisse pas basculer et qu'il ne puisse pas bouger.



Marque de certification/liste Intertek



Les produits STIHL ne doivent pas être jetés avec les ordures ménagères, mais uniquement mis au rebut conformément aux lois et réglementations locales, nationales et fédérales et selon les indications figurant dans le présent manuel, 20.



Isolation : Classe II (double isolement)


18.3 Améliorations technologiques

STIHL a pour philosophie l'amélioration constante de tous ses produits. Il en résulte occasionnellement des modifications et des améliorations technologiques. Par conséquent, certains changements, modifications et améliorations peuvent ne pas être couverts dans le présent manuel. Si les caractéristiques de fonctionnement ou

l'aspect de votre appareil différent de celles décrites dans le présent manuel, veuillez contacter le distributeur STIHL dans votre région pour obtenir de l'assistance.

19 Pièces de rechange et équipement

19.1 Pièces de rechange originales STIHL

STIHL recommande d'utiliser des pièces de rechange originales STIHL. Les pièces STIHL authentiques peuvent être identifiées par le numéro de référence STIHL, le logo **STIHL** et, dans certains cas, par le symbole des pièces STIHL . Sur les petites pièces, seul le symbole peut figurer.

20 Élimination

20.1 Mise au rebut de l'outil électrique

Les produits STIHL ne doivent pas être jetés avec les ordures ménagères ou mis au rebut différemment des indications figurant dans le présent manuel.

- ▶ Amenez l'outil électrique, les accessoires et l'emballage à un centre d'élimination approuvé pour le recyclage respectueux de l'environnement.
- ▶ Contactez votre distributeur agréé STIHL pour obtenir les informations les plus récentes sur l'élimination et le recyclage.

0458-002-8221-A

CDN



www.stihl.com



0458-002-8221-A