

STIHL

STIHL BT 131

Instruction Manual
Notice d'emploi



Ⓞ **Instruction Manual**
1 - 26

Ⓣ **Notice d'emploi**
27 - 55

Contents

Guide to Using this Manual	2
Safety Precautions and Working Techniques	2
Assembling the Unit	7
Adjusting the Throttle Cable	8
Fuel	8
Fueling	10
Auger Brake	10
Fitting the Auger	11
Starting / Stopping the Engine	12
Operating Instructions	14
Releasing a Trapped Auger	14
Replacing the Air Filter	15
Engine Management	15
Adjusting the Carburetor	16
Spark Arresting Screen in Muffler	16
Spark Plug	16
Engine Running Behavior	17
Lubricating the Gearbox	18
Storing the Machine	18
Maintenance and Care	19
Main Parts	21
Specifications	22
Maintenance and Repairs	23
Disposal	24
STIHL Limited Emission Control Warranty Statement	24

Dear Customer,

Thank you for choosing a quality engineered STIHL product.

It has been built using modern production techniques and comprehensive quality assurance. Every effort has been made to ensure your satisfaction and trouble-free use of the product.

Please contact your dealer or our sales company if you have any queries concerning this product.

Your



Dr. Nikolas Stihl

STIHL

Guide to Using this Manual

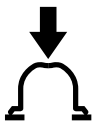
Pictograms

The meanings of the pictograms attached to the machine are explained in this manual.

Depending on the model concerned, the following pictograms may be attached to your machine.



Fuel tank; fuel mixture of gasoline and engine oil



Operate manual fuel pump



Auger brake

Symbols in text



WARNING

Warning where there is a risk of an accident or personal injury or serious damage to property.



NOTICE

Caution where there is a risk of damaging the machine or its individual components.

Engineering improvements

STIHL's philosophy is to continually improve all of its products. For this reason we may modify the design, engineering and appearance of our products periodically.

Therefore, some changes, modifications and improvements may not be covered in this manual.

Safety Precautions and Working Techniques



Special safety precautions must be observed when working with this power tool because of its high torque and the high speed of the auger bit in certain applications, and because the auger bits have sharp edges.



It is important you read and understand the instructions for use before first use and keep it in a safe place for future reference. Non-compliance with the User Manual may cause serious or even fatal injury.

Observe all applicable local safety regulations, e.g. by trade organizations, social insurance institutions, labor safety authorities etc.

If you have never used a power tool before: Have your dealer or other experienced user show you how to operate your machine – or attend a special course to learn how to operate it.

Minors are not allowed to work with the power tool – except adolescents above 16 years of age who are instructed under supervision.

Children, animals and bystanders must not be allowed near the machine.

When not using the machine, it must be laid down in such a way that it does not endanger anyone. Ensure that the machine cannot be used without authorization.

The user is responsible for accidents or risks involving third parties or their property.

Do not lend or rent your power tool without the User Manual. Be sure that anyone using it understands the information contained in this manual.

The use of machines that emit noise may be limited to certain hours of the day as specified by national and/or regional or local regulations.

Anyone operating the machine must be well rested, in good physical health and in good mental condition.

If you have any condition that might be aggravated by strenuous work, check with your doctor before operating a machine.

If you have a pacemaker: The ignition system of your machine produces an electromagnetic field of very low intensity. This field may interfere with some pacemakers. STIHL recommends that persons with pacemakers consult their physician and the pacemaker manufacturer to reduce any health risk.

Anyone who has consumed alcohol or drugs or medicines affecting their ability to react must not operate a power tool.

Use your power tool only for drilling holes in soil, ice and wood – depending on the drilling tool mounted. Select the drill axis so that the lever of the drill brake can be supported on the thigh of the operator at any time during drilling.

It must not be used for any other purposes.

Before drilling, make sure that there are no lines (e. g. for gas, water, electricity) at the drilling sites:

- Obtain information from the local utility companies
- If in doubt, check the existence of lines with detectors or test excavations

Only use augers or accessories which have been approved by STIHL for this machine or which are technically equivalent. If you have any questions in this respect, consult your dealer. Use only high quality parts and accessories. In order to avoid the risk of accidents and damage to the machine.

STIHL recommends the use of original STIHL tools and accessories. They are specifically designed to match the product and meet your performance requirements.

Never attempt to modify your power tool in any way since this may increase the risk of personal injury. STIHL excludes all liability for personal injury and damage to property caused while using unauthorized attachments.

Do not use a high-pressure washer to clean the power tool. The solid jet of water may damage parts of the unit.

Clothing and equipment

Wear proper protective clothing and equipment.



Clothing must be sturdy but allow complete freedom of movement. Wear close-fitting clothes such as a boiler suit, not a loose jacket.

Do not wear clothing which could become trapped in wood, brush or moving parts of the machine. Do not wear a scarf, necktie or jewelry.



Tie up and confine long hair above your shoulders.



Wear sturdy shoes with non-slip soles.



WARNING



To reduce the risk of eye injuries, wear close-fitting safety glasses in accordance with European Standard EN 166. Make sure the safety glasses are a snug fit.

Wear hearing protection, e.g. ear defenders.

Wear a safety hard hat where there is a danger of head injuries from falling objects.



Wear sturdy protective gloves made of a resistant material (e. g. leather).

STIHL can supply a comprehensive range of personal protective equipment.

Transporting the machine

Always stop the engine.

Remove the auger before transporting the power tool long distances. **To reduce the risk of burn injury**, carry the unit by the handle frame with hot parts of the machine (e.g. gearbox) away from your body.

By vehicle: When transporting in a vehicle, properly secure your machine to prevent turnover, damage and fuel spillage.

Refueling



Gasoline is highly flammable – keep away from fire or flame – do not spill any fuel – no smoking.

Always **shut off the engine** before refueling.

Do not fuel a hot engine – fuel may spill and **cause a fire!**

Open the fuel cap carefully to allow any pressure build-up in the tank to release slowly and avoid fuel spillage.

Only refuel the machine in a well ventilated place. If fuel has been spilled, immediately clean the machine – do not allow your clothes to be splashed with fuel. If that happens, change your clothes at once.



After fueling, tighten down the screw-type fuel cap as securely as possible.

This helps reduce the risk of unit vibrations causing an incorrectly tightened fuel cap to loosen or come off and spill quantities of fuel.

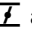

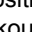


Check for fuel leakage! Never start the engine if fuel has been spilled or is leaking – **Fatal burns may result!**

Before starting

Check that your power tool is properly assembled and in good condition – refer to appropriate chapters in the instructions for use.

- Check the fuel system for leaks, especially the visible parts, e. g., fuel cap, hose connections, manual fuel pump (only in machines with a manual fuel pump). In case of leakage and damage, do not start the engine – **risk of fire!** Have the machine serviced by a dealer before using it
- The stop switch must be easy to push
- Functional drill brake

- Check the choke lever, throttle trigger and throttle trigger lockout for smooth action - throttle trigger must return automatically to idle position. The choke lever must spring back from the  and  positions to the run position  when the throttle trigger lockout and throttle trigger are squeezed
- Check that the spark plug boot is secure – a loose boot may cause arcing that could ignite combustible fumes **and cause a fire!**
- Never attempt to modify the controls or safety devices
- Keep the handles dry and clean – free from oil and dirt – this is important for safe control of the machine

To reduce the risk of personal injury, do not operate your power tool if it is damaged or not properly assembled!

Starting the engine

Start the engine at least 3 meters from the fueling spot, outdoors only.

Place the power tool on level ground, make sure you have secure footing.

Engage the drill brake before starting. Otherwise, the drilling tool may begin to run, causing the user to lose control of the earth auger.

The machine is operated by a single person only – do not allow any person to stay within the working area – nor with starting.

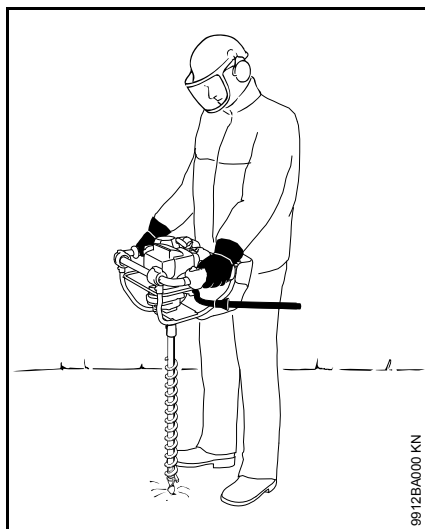
To reduce the risk of injury, avoid contact with the drilling tool.

Do not drop-start the engine – start it as described in the instructions for use.

Check idle speed setting: The drilling tool must not rotate when the engine is idling with the throttle trigger released.

Keep easily combustible materials (e.g., wood chips, bark, dry grass, fuel) away from hot exhaust gases and the hot muffler surface – **risk of fire!**

Holding and guiding the machine



Always hold the unit firmly with both hands on the handles.

Ensure you always have a firm and safe footing – drill brake on left thigh.

Firmly grasp the handles with the thumbs, left hand on control handle.

While working

Make sure you always have good balance and secure footing.

In the event of impending danger or in an emergency, switch off the engine immediately by pressing the stop switch.

Do not allow any other persons in the work area. Keep well away from other people – **risk of accidents!**

Check for correct idling, so that the auger stops turning when the throttle trigger is released.

Check and correct the idle speed setting at regular intervals. If the drilling tool continues to rotate when the engine is idling, have the machine checked by your servicing dealer. STIHL recommends STIHL dealers.

Take special care in slippery conditions – **dampness, snow, ice**, on slopes or uneven ground.

Watch out for obstacles: tree stumps, roots – **risk of tripping or stumbling!**

Be particularly alert and cautious when wearing hearing protection because your ability to hear warnings (shouts, alarms, etc.) is restricted.

Take breaks when you start getting tired or feeling fatigue – **risk of accidents!**

Work calmly and carefully – in daylight conditions and only when visibility is good. Proceed with caution, do not put others in danger.



As soon as the engine is running, the power machine generates toxic exhaust gas. These gases may be odorless and invisible and may contain unburned hydrocarbons and benzene. Never run the engine indoors or in poorly ventilated locations, even if your model is equipped with a catalytic converter.

To reduce the risk of serious or fatal injury from breathing toxic fumes, ensure proper ventilation when working in trenches, hollows or other confined locations. **This reduces the risk of serious or fatal injury from breathing toxic fumes.**

Stop work immediately if you start suffering from nausea, headaches, impaired vision (e.g. your field of vision gets smaller), impaired hearing, dizziness, or impaired concentration – these symptoms may possibly be the result of too-high exhaust gas concentration – **Risk of accidents!**

Operate your power tool so that it produces a minimum of noise and emissions – do not run the engine unnecessarily, accelerate the engine only when working.

To reduce the risk of fire, do not smoke while operating or standing near your power tool. Combustible fuel vapor may escape from the fuel system.

Dust, fumes and smoke produced while working may be hazardous to your health. Wear respiratory protection in case of heavy dust or smoke emission.

If your power tool is subjected to unusually high loads for which it was not designed (e.g. heavy impact or a fall), always check that it is in good condition before continuing work – see also "Before Starting".

Check in particular that the fuel system has no leaks and the safety equipment is fully operative. Never use a power tool that is no longer safe to operate. In case of doubt, contact a dealer.

Do not operate your power tool in the starting throttle position – engine speed cannot be controlled in this position.

To reduce the risk of injury, do not touch the drilling tool and drilling spindle unless the engine is stopped and the drilling tool is at a standstill.



Avoid contact with lines carrying electrical current – **Risk of electrical shock!**

Hold the machine firmly so that sudden jolts can be absorbed – only apply a small amount of pressure when drilling.



Take particular care when working in stony areas or ground with roots.

Cover drilled holes and secure them.

To reduce the risk of injury, shut off the engine and engage the drill brake before changing the drill.

Do not touch machine parts, particularly the muffler – **Risk of burn injuries**.

Always shut off the engine before leaving the unit unattended.

Check drilling tools at regular short intervals during operation or immediately if there is a noticeable change in operating behavior. Replace damaged or dull drilling tools and blades immediately.

Vibrations

Prolonged use of the power tool may result in vibration-induced circulation problems in the hands (whitefinger disease).

No general recommendation can be given for the length of usage because it depends on several factors.

The period of usage is prolonged by:

- Hand protection (wearing warm gloves)
- Work breaks

The period of usage is shortened by:

- Any personal tendency to suffer from poor circulation (symptoms: frequently cold fingers, tingling sensations).
- Low outside temperatures.
- The force with which the handles are held (a tight grip restricts circulation).

Continual and regular users should monitor closely the condition of their hands and fingers. If any of the above symptoms appear (e.g. tingling sensation in fingers), seek medical advice.

Maintenance and Repairs

Service the machine regularly. Do not attempt any maintenance or repair work not described in the instruction manual. Have all other work performed by a servicing dealer.

STIHL recommends that you have servicing and repair work carried out exclusively by an authorized STIHL servicing dealer. STIHL dealers are regularly given the opportunity to attend training courses and are supplied with the necessary technical information.

Only use high-quality replacement parts in order to avoid the risk of accidents and damage to the machine. If you have any questions in this respect, consult a servicing dealer.

STIHL recommends the use of original STIHL replacement parts. They are specifically designed to match your model and meet your performance requirements.

To reduce the risk of injury from unintentional engine startup, **always shut off the engine and disconnect the spark plug boot** before performing any repairs, maintenance or cleaning work. – Exception: Carburetor and idle speed adjustments.

Do not turn the engine over on the starter with the spark plug boot or spark plug removed since there is otherwise a **risk of fire** from uncontained sparking.

To reduce the **risk of fire**, do not service or store your machine near open flames.

Check the fuel filler cap for leaks at regular intervals.

Use only a spark plug of the type approved by STIHL and make sure it is in good condition – see "Specifications".

Inspect the ignition lead (insulation in good condition, secure connection).

Check the condition of the muffler.

To reduce the **risk of fire and damage to hearing**, do not operate your machine if the muffler is damaged or missing. –

Do not touch a hot muffler since **burn injury** will result.

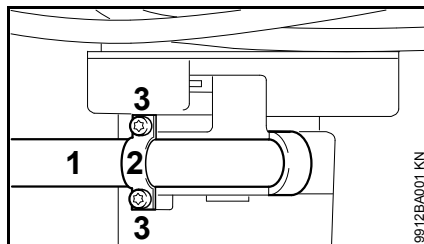
Vibration behavior is influenced by the condition of the AV elements – check the AV elements at regular intervals.

Maintenance, replacement, or repair of the emission control devices and systems may be performed by any nonroad engine repair establishment or individual. However, if you make a warranty claim for a component which has not been serviced or maintained properly, STIHL may deny coverage.

For any maintenance please refer to the maintenance chart and to the warranty statement near the end of the instruction manual.

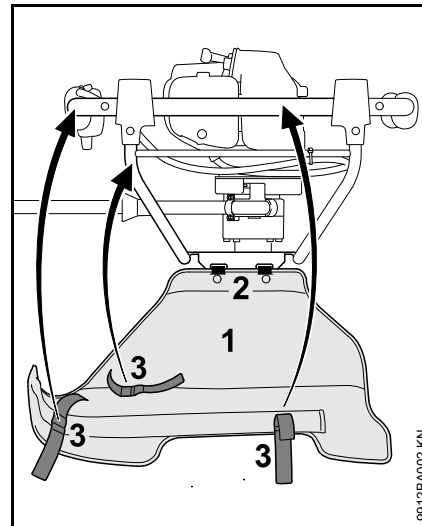
Assembling the Unit

Fitting activating lever for auger brake

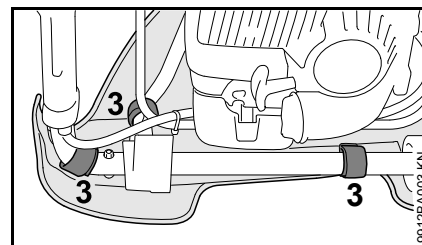


- Insert the activating lever (1) into the clamp
- Place the holder (2) onto the activating lever
- Screw in the fastening screws (3) and tighten

Fit the padding



- Hook the padding (1) with the tabs (2) into the oblong holes in the handle frame
- Fold up the padding

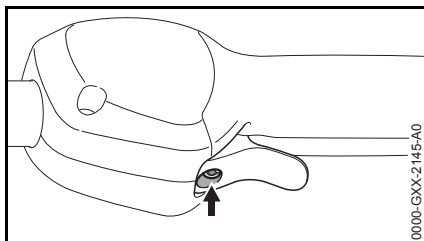


- Secure the padding to the handlebar with the cling strips (3) – do not jam the throttle cable

Adjusting the Throttle Cable

It may be necessary to correct the adjustment of the throttle cable after assembling the machine or after a prolonged period of operation.

Adjust the throttle cable only when the machine is completely and properly assembled.



- Set the throttle trigger to the full throttle position.
- Rotate the screw in the throttle trigger clockwise until you feel initial resistance. Then rotate it another half turn in the same direction.

Fuel

This engine is certified to operate on unleaded gasoline and the STIHL two-stroke engine oil at a mix ratio of 50:1.

Your engine requires a mixture of high-quality gasoline and two-stroke air cooled engine oil.

Use mid-grade unleaded gasoline with a minimum octane rating of 89 ((R+M)/2) and no more than 10% ethanol content.



Fuel with an octane rating below 89 may increase engine temperatures. This, in turn, increases the risk of piston seizure and damage to the engine.

The chemical composition of the fuel is also important. Some fuel additives not only detrimentally affect elastomers (carburetor diaphragms, oil seals, fuel lines, etc.), but magnesium castings and catalytic converters as well. This could cause running problems or damage the engine. For this reason STIHL recommends that you use only quality unleaded gasoline!



Gasoline with an ethanol content of more than 10% can cause running problems and major damage in engines and should not be used.

For further details, see www.STIHLusa.com/ethanol

The ethanol content in gasoline affects engine speed – it may be necessary to readjust the carburetor if you use fuels with various ethanol contents.



To reduce the risk of personal injury from loss of control and/or contact with the running cutting tool, do not use your unit with an incorrect idle adjustment. At correct idle speed, the cutting tool should not move.

If your machine's idle speed is incorrectly adjusted, have your authorized STIHL servicing dealer check your machine and make the proper adjustments and repairs.

The idle speed and maximum speed of the engine change if you switch from a fuel with a certain ethanol content to a fuel with a much higher or lower ethanol content.

This problem can be avoided by always using fuel with the same ethanol content.

To ensure the maximum performance of your STIHL engine, use a high quality 2-cycle engine oil. To help your engine run cleaner and reduce harmful carbon deposits, STIHL recommends using STIHL HP Ultra 2-cycle engine oil or ask your dealer for an equivalent fully synthetic 2-cycle engine oil.

To meet the requirements of EPA and CARB we recommend to use STIHL HP Ultra oil.

STIHL MotoMix

STIHL recommends the use of STIHL MotoMix. STIHL MotoMix has a high octane rating and ensures that you always use the right gasoline/oil mix ratio.

STIHL MotoMix uses STIHL HP Ultra two-stroke engine oil suited for high performance engines.

For further details, see www.STIHLUSA.com/ethanol

If not using MotoMix, use only STIHL two-stroke engine oil or equivalent high-quality two-stroke engine oils that are designed for use in air cooled two-cycle engines.

The use of non-seasonal gasoline blends may increase the potential for pressure to build in the fuel tank during operation. For example, using a winter blend during the summer will increase pressure in the fuel tank. Always use gasoline blends appropriate to the season, altitude and other environmental factors.

Do not use NMMA or TCW rated (two-stroke water cooled) mix oils or other mix oils that state they are for use in both water cooled and air cooled engines (e.g., outboard motors, snowmobiles, chain saws, mopeds, etc.).

WARNING

Take care when handling gasoline. Avoid direct contact with the skin and avoid inhaling fuel vapor. When filling at the pump, first remove the container from your vehicle and place the container on the ground before filling. To

reduce the risk of sparks from static discharge and resulting fire and/or explosion, do not fill fuel containers that are sitting in or on a vehicle or trailer.

The container should be kept tightly closed in order to limit the amount of moisture that gets into the mixture.

The machine's fuel tank should be cleaned as necessary.

Fuel mix ages

If not using MotoMix, only mix sufficient fuel for a few days of work, not to exceed 30 days of storage. Store in approved fuel-containers only. When mixing, pour oil into the container first, and then add gasoline. Close the container and shake it by hand to ensure proper mix of oil and gasoline.

WARNING

Shaking fuel can cause pressure to build in the fuel container. To reduce the risk of fire and severe personal injury or property damage from fuel spraying, allow the fuel container to sit for several minutes before opening. Open the container slowly to release any residual pressures. Never open the fuel container in the vicinity of any ignition source. Read and follow all warnings and instructions that accompany your fuel container.

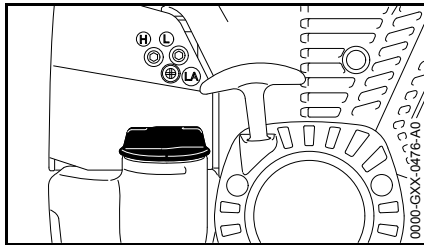
Gasoline	Oil (STIHL 50:1 or equivalent high-quality oils)
US gal.	US fl.oz.
1	2.6
2 1/2	6.4
5	12.8

Dispose of empty mixing-oil containers only at authorized disposal locations.

Fueling

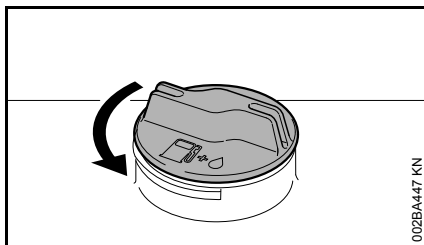


Preparations



- Before fueling, clean the filler cap and the area around it to ensure that no dirt falls into the tank.
- Position the machine so that the tank cap faces up.

Opening the Tank Cap



- Turn the cap counterclockwise until it can be removed from the tank opening.
- Remove the tank cap.

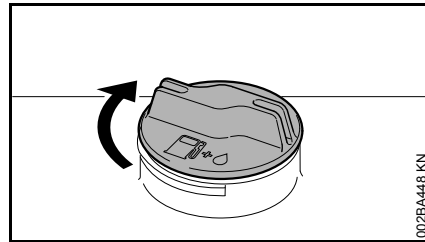
Filling Up with Fuel

Take care not to spill fuel while fueling and do not overfill the tank.

STIHL recommends you use the STIHL filler nozzle for fuel (special accessory).

- Fill up with fuel.

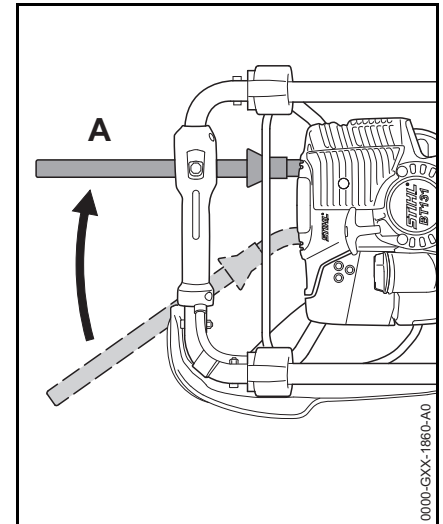
Closing the Tank Cap



- Place the cap in the opening.
- Turn the cap clockwise as far as stop and tighten it down as firmly as possible by hand.

Auger Brake

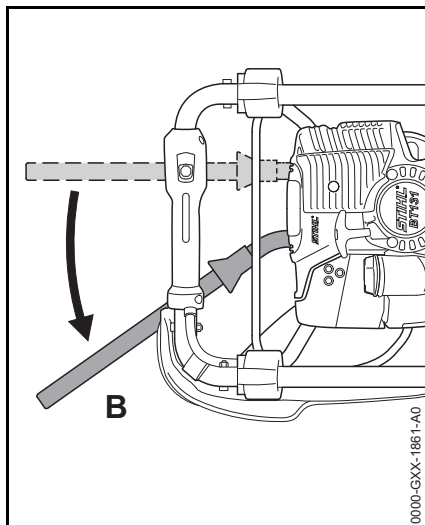
Engaging the Auger Brake



- Move the activating lever to position A .
 - when starting
 - at idling speed
 - to unwind a trapped auger

If the auger snags on an obstacle in the hole (e.g. roots or stones) the machine will begin to turn counterclockwise – the activating lever is pressed against the operator's thigh and thus engages the auger brake.

Disengaging the Auger Brake



- Move the activating lever to position **B**

Checking Operation of Auger Brake

The auger brake is subject to normal wear and tear. Regularly check that it is operating properly before you start work and after releasing a trapped auger.

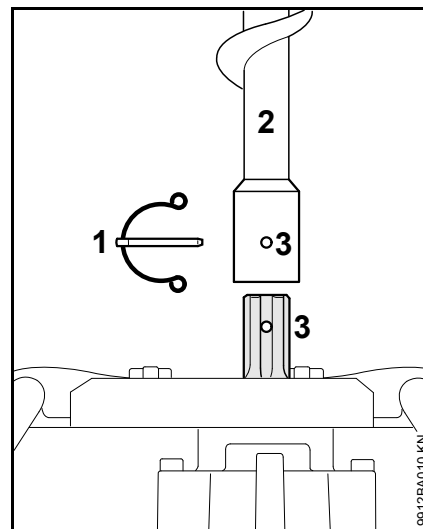
Before starting work and after releasing a trapped auger

- With the engine running at idle speed, engage the auger brake and then open the throttle wide for no more than 3 seconds – the auger must not rotate.

If the auger brake fails, have it repaired immediately by your dealer – STIHL recommends that this work be performed by a STIHL servicing dealer.

Fitting the Auger

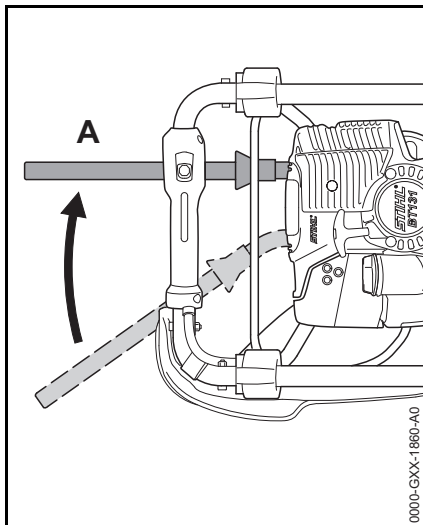
- Shut off the engine and engage the auger brake – see "Auger Brake".
- Put the machine down.



- Pull the retaining pin (1) out of the auger's shank.
- Push the auger (2) onto the drilling spindle so that the holes (3) line up.
- Push the retaining pin into the hole.
- Spring clip on the retaining pin must fit snugly around the auger's shank.

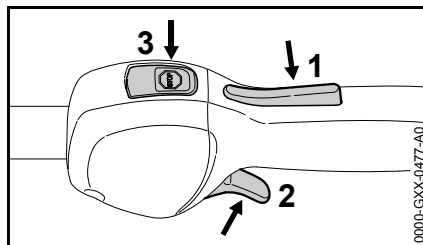
Starting / Stopping the Engine

Engaging the Auger Brake



- Move the activating lever to position **A**. Auger brake is engaged and auger is blocked.

Controls



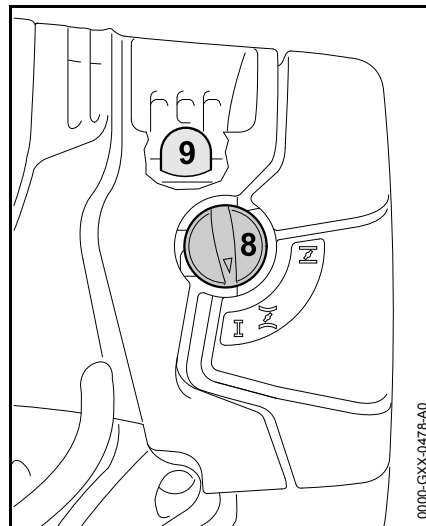
- 1 Throttle trigger lockout
- 2 Throttle trigger

- 3 Stop switch with **Run** and **Stop** positions. Depress the stop switch (☹) to switch off the ignition – see "Function of Stop Switch and Ignition System".

Function of Stop Switch and Ignition System

The stop switch is normally in the Run position, i.e. when it is **not** depressed: The ignition is switched on – the engine is ready to start. Operate the stop switch to switch off the ignition. The ignition is switched on again automatically after the engine stops.

Starting the Engine

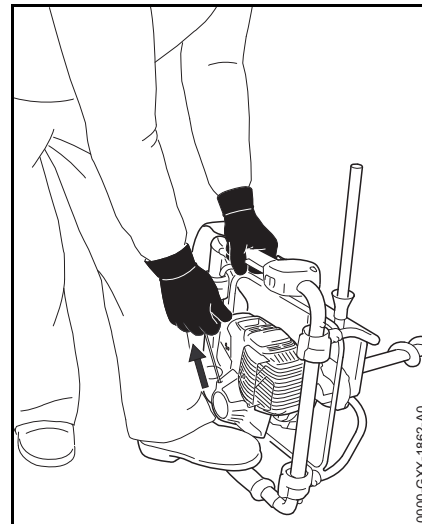


- Press the manual fuel pump bulb (9) at least five times – even if the bulb is already filled with fuel.

- Press home the choke knob (8) and turn it to the required position – it must engage

- I if the engine is cold
- H for warm start – also use this position if the engine has been running but is still cold.

Cranking



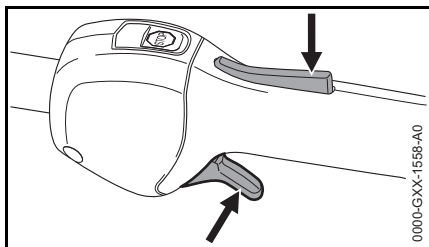
- Place the unit on the ground:
- Check that the auger brake is engaged.
- Make sure you have a safe and secure footing.
- Put your left foot on the handle frame.
- Left hand on the handle frame – do not touch the throttle trigger or lockout lever – your thumb should be under the fan housing.

- Hold the starter grip with your right hand.
- Pull the starter grip slowly until you feel it engage and then give it a brisk strong pull.

**NOTICE**

Do not pull out the starter rope all the way – it **might otherwise break**.

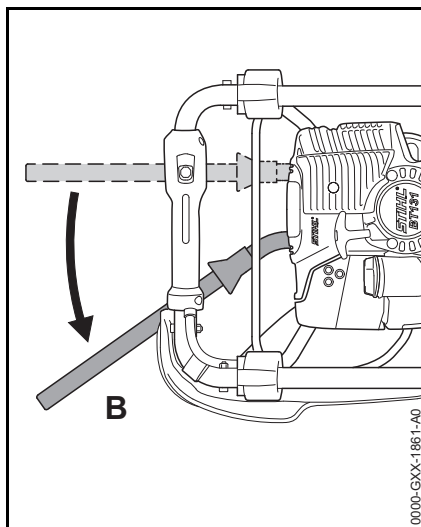
- Do not let the starter grip snap back. Guide it slowly back into the housing so that the starter rope can rewind properly.
- Continue cranking until the engine runs.

As Soon As the Engine Runs

- Depress throttle trigger lockout and immediately blip the throttle trigger – the choke knob moves to the run **I** position.

**NOTICE**

Since the auger brake is still engaged, the engine must be returned to idling speed **immediately** – or the clutch might otherwise be damaged.



- Stand the machine on the tip of the auger.
- Disengage the auger brake by moving the activating lever to position **B**. Your earth auger is now ready for operation.

WARNING

Make sure the carburetor is correctly adjusted. The auger must not rotate when the engine is idling.

Your machine is now ready for operation.

Stopping the Engine

- Depress the momentary contact stop switch – the engine stops – release the stop switch – it springs back to the run position.

Other Hints on Starting**Engine stalls in cold start position **I** or under acceleration.**

- Move the choke knob to **II** and continue cranking until the engine runs.

Engine does not start in warm start position **II**

- Move the choke knob to **I** and continue cranking until the engine runs.

If the engine does not start

- Check that all settings are correct.
- Check that there is fuel in the tank and refuel if necessary.
- Check that the spark plug boot is properly connected.
- Repeat the starting procedure.

Engine is flooded

- Move the choke knob to **I** and continue cranking until the engine runs.

Fuel tank run until completely dry

- After refueling, depress the manual fuel pump bulb at least 5 times – even if the bulb is already filled with fuel.
- Set the choke knob to suit the engine temperature.
- Now start the engine.

Operating Instructions

During Break-In Period

A factory-new machine should not be run at high revs (full throttle off load) for the first three tank fillings. This avoids unnecessary high loads during the break-in period. As all moving parts have to bed in during the break-in period, the frictional resistances in the engine are greater during this period. The engine develops its maximum power after about 5 to 15 tank fillings.

During Operation

After a long period of full throttle operation, allow the engine to run for a short while at idle speed so that engine heat can be dissipated by the flow of cooling air. This helps protect engine-mounted components (ignition, carburetor) from thermal overload.

After Finishing Work

Storing for a short period: Wait for the engine to cool down. To avoid condensation, fill the fuel tank and keep the machine in a dry place, well away from sources of ignition, until you need it again. For longer out-of-service periods – see "Storing the Machine".

Working with shaft extension (special accessory)

Do not fit the shaft extension until the full length of the auger is in the hole.

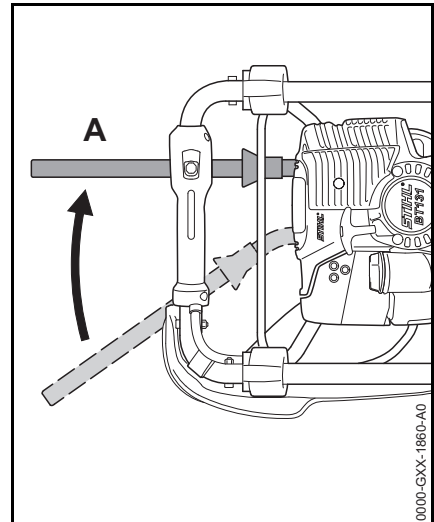
WARNING

Starting a hole with the shaft extension fitted increases the risk of personal injury because the unit is then at chest height and cannot be controlled properly. For the same reason the shaft extension must be removed before the full length of the auger is pulled out of the hole.

Releasing a Trapped Auger

If the auger jams in the drill hole

- Shut off the engine immediately.
- Depress the momentary contact stop switch – the engine stops – release the stop switch – it springs back to the run position.



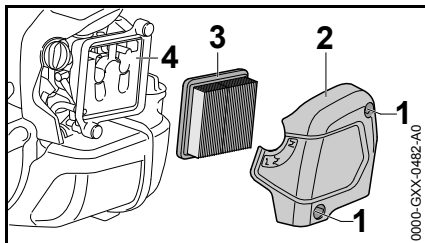
- Engage the auger brake by moving the activating lever to position **A**.
- Rotate the whole machine counterclockwise to unwind the auger from the ground.
- After releasing the trapped auger, check operation of the auger brake – see "Auger Brake".

Replacing the Air Filter

Filters have an average life of more than a year. Do not remove the filter cover or replace the air filter as long as there is no noticeable loss of power.

If there is a noticeable loss of engine power.

- Remove padding from the handle frame.



- Turn the choke knob to **I**.
- Take out the screws (1).
- Remove the filter cover (2).
- Clean away loose dirt from around the filter.
- Remove the filter element (3).
- Replace dirty or damaged filter.
- Replace any damaged parts.

Installing the Filter Element

- Install the filter element in the filter housing and fit the cover.
- Fit the screws and tighten them down firmly.
- Fit the padding – see "Assembling the Unit".

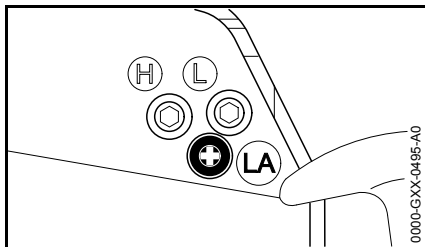
Engine Management

Exhaust emissions are controlled by the design of the engine and components (e.g. carburation, ignition, timing and valve or port timing).

Adjusting the Carburetor

The carburetor has been set at the factory to provide an optimum fuel-air mixture under most operating conditions.

Adjusting Idle Speed



Engine stops while idling

- Warm up the engine for about 3 minutes.
- Turn the idle speed screw (LA) slowly clockwise until the engine runs smoothly – the auger must not rotate.

Auger rotates when engine is idling

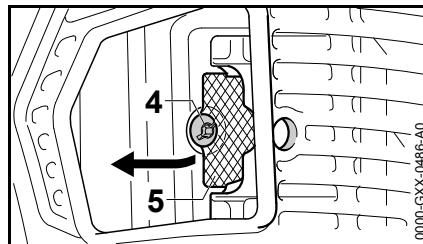
- Turn the idle speed screw (LA) slowly counterclockwise until the auger stops rotating and then turn the screw about another 1/2 to 3/4 turn in the same direction.

WARNING

If the auger continues to rotate when the engine is idling, have your machine checked and repaired by your servicing dealer.

Spark Arresting Screen in Muffler

- If the engine is down on power, check the spark arresting screen in the muffler.
- Wait for the muffler to cool down.

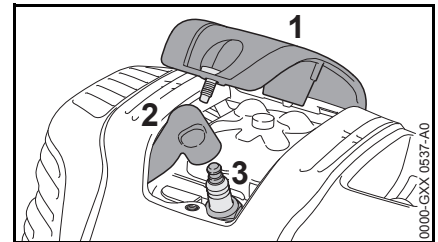


- Take out the screw (4).
- Lift the spark arresting screen (5) and pull it out.
- Clean the spark arresting screen (5). If the screen is damaged or heavily carbonized, install a new one.
- Refit the spark arresting screen (5).
- Insert the screw (4) and tighten it down firmly.

Spark Plug

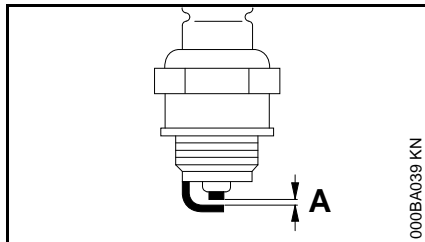
- If the engine is down on power, difficult to start or runs poorly at idle speed, first check the spark plug.
- Fit a new spark plug after about 100 operating hours – or sooner if the electrodes are badly eroded. Install only suppressed spark plugs of the type approved by STIHL – see "Specifications".

Removing the Spark Plug



- Remove the cover (1).
- Pull off the spark plug boot (2).
- Unscrew the spark plug (3).

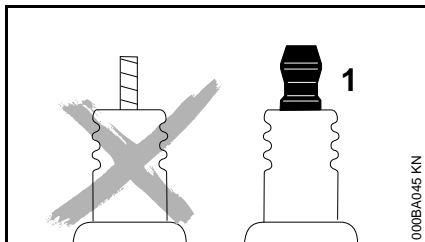
Checking the Spark Plug



- Clean dirty spark plug.
- Check electrode gap (A) and readjust if necessary – see "Specifications".
- Rectify the problems which have caused fouling of the spark plug.

Possible causes are:

- Too much oil in fuel mix.
- Dirty air filter.
- Unfavorable running conditions.



WARNING

Arcing may occur if the adapter nut (1) is loose or missing. Working in an easily combustible or explosive atmosphere may cause a fire or an explosion. This can result result in serious injuries or damage to property.

- Use resistor type spark plugs with a properly tightened adapter nut.

Installing the Spark Plug

- Screw the spark plug (3) into the cylinder.
- Tighten down the spark plug (3) with the combination wrench.
- Press the boot (2) firmly onto the spark plug.
- Fit the cover (1) and screw it down firmly.

Engine Running Behavior

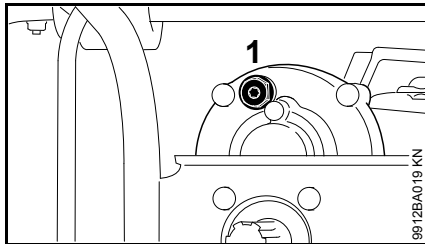
If engine running behavior is still unsatisfactory after the air filter has been serviced and the carburetor and throttle cable have been adjusted correctly, the cause may also be in the muffler.

Have the muffler checked for contamination (coking) by a servicing dealer!

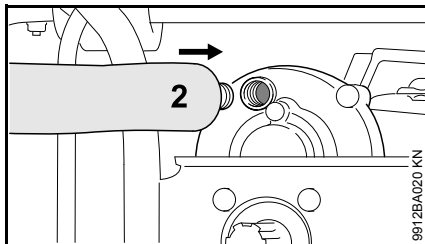
STIHL recommends that maintenance and repair work be carried out only by authorized STIHL dealers.

Lubricating the Gearbox

Check grease level after every 50 hours of operation and re-lubricate if necessary.



- Remove the screw plug (1).



- If no grease can be seen on the inside of the screw plug (1): Screw the tube (2) of STIHL gear lubricant (special accessory) into the filler hole.
- Squeeze about 5 - 10 g (1/5 - 2/5 oz) grease into the gearbox.



NOTICE

Do not completely fill the gearbox with grease.

- Unscrew the tube (2).
- Insert the screw plug (1) and tighten it down firmly.

Storing the Machine

For periods of about 3 months or longer

- Remove the auger.
- Drain and clean the fuel tank in a well ventilated area.
- Dispose of fuel properly in accordance with local environmental requirements.
- Run the engine until the carburetor is dry – this helps prevent the carburetor diaphragms sticking together.
- Thoroughly clean the machine.
- Store the machine in a dry and secure location. Keep out of the reach of children and other unauthorized persons.

Maintenance and Care

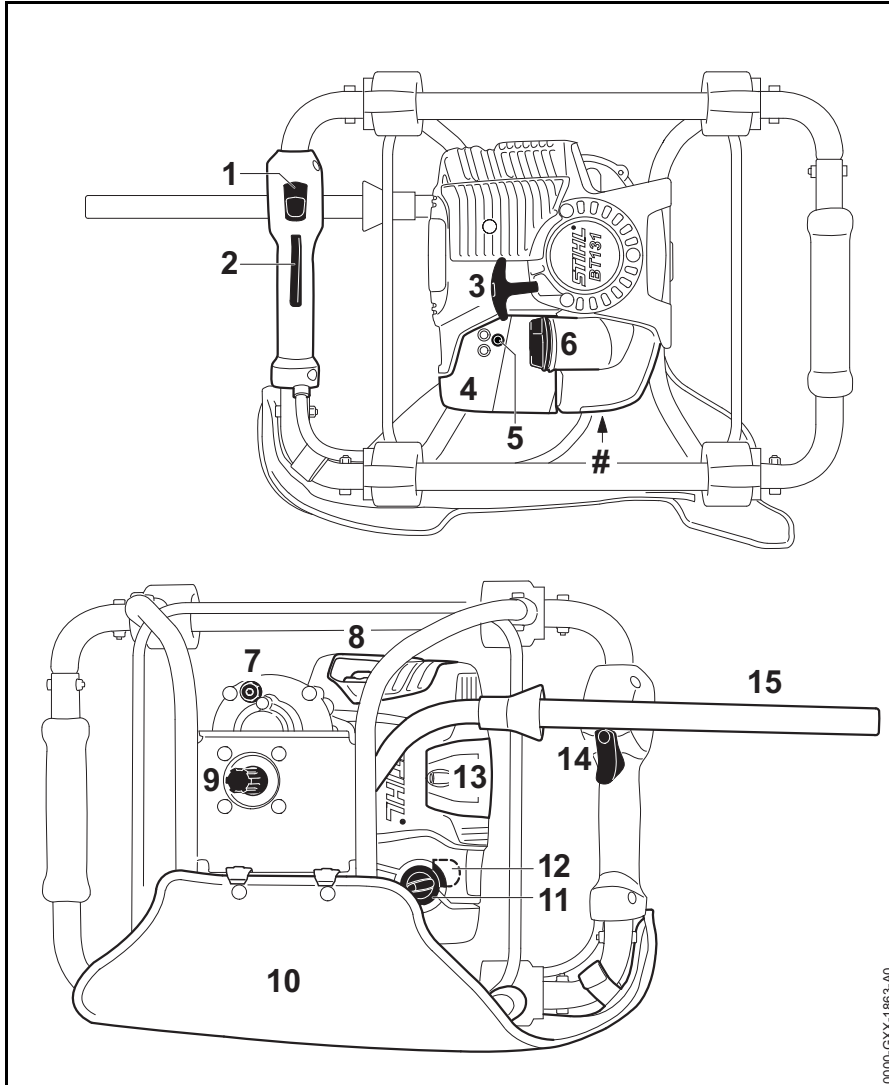
The following intervals apply to normal operating conditions only. If your daily working time is longer or operating conditions are difficult (very dusty work area, etc.), shorten the specified intervals accordingly.		before starting work	after finishing work or daily	after each refueling stop	weekly	monthly	every 12 months	if problem	if damaged	as required
Complete machine	Visual inspection (condition, leaks)	X		X						
	Clean		X							
	Replace any damaged parts	X							X	
Auger brake	Check operation	X		X						
	Have serviced by dealer ¹⁾									X
Control handle	Check operation	X		X						
Air filter	Visual inspection					X		X		
	Replace ²⁾								X	X
Manual fuel pump (if fitted)	Check	X								
	Have repaired by servicing dealer ¹⁾								X	
Pickup body in fuel tank	Have checked by servicing dealer ¹⁾							X		
	Have replaced by servicing dealer ¹⁾						X		X	X
Fuel tank	Clean							X		X
Carburetor	Check idle adjustment – drilling spindle must not rotate	X		X						
	Adjust idle speed									X
Spark plug	Adjust electrode gap							X		
	Replace after every 100 operating hours									
Cooling inlets	Visual inspection		X							
	Clean									X
Cylinder fins	Have cleaned by servicing dealer ¹⁾						X			
Valve clearance	If power is low or cranking effort very high, have valve clearance checked and, if necessary, adjusted by servicing dealer ¹⁾									X

The following intervals apply to normal operating conditions only. If your daily working time is longer or operating conditions are difficult (very dusty work area, etc.), shorten the specified intervals accordingly.		before starting work	after finishing work or daily	after each refueling stop	weekly	monthly	every 12 months	if problem	if damaged	as required
Spark arresting screen in muffler	Check		X					X		
	Clean or replace								X	X
All accessible screws and nuts (not adjusting screws)	Retighten									X
Anti-vibration elements	Check	X						X		X
	Have replaced by servicing dealer ¹⁾								X	
Gearbox lubrication	Check				X					
	Replenish									X
Drilling spindle	Clean		X							
Auger	Check	X								
	Replace								X	X
Safety labels	Replace								X	

¹⁾ STIHL recommends an authorized STIHL servicing dealer.

²⁾ Only if there is a noticeable loss of engine power

Main Parts



- 1 Stop Switch
- 2 Throttle Trigger Lockout
- 3 Starter Grip
- 4 Air Filter Cover
- 5 Carburetor Adjusting Screw
- 6 Fuel Filler Cap
- 7 Screw Plug
- 8 Muffler with Spark Arresting Screen
- 9 Drilling Spindle
- 10 Padding
- 11 Choke Knob
- 12 Manual Fuel Pump
- 13 Spark Plug Cover
- 14 Throttle Trigger
- 15 Auger Brake Activating Lever
- # Serial Number

0000-GXX-1863-A0

Definitions

- 1 Stop Switch**
Switches the engine's ignition off and stops the engine.
- 2 Throttle Trigger Lockout**
Must be depressed before the throttle trigger can be activated.
- 3 Starter Grip**
The grip of the pull starter, for starting the engine.
- 4 Air Filter Cover**
Covers and protects the air filter element.
- 5 Carburetor Adjusting Screw**
For setting idle speed.
- 6 Fuel Filler Cap**
For closing the fuel tank.
- 7 Screw Plug**
Seals filler opening for gearbox grease.
- 8 Muffler with Spark Arresting Screen**
Muffler reduces exhaust noises and diverts exhaust gases away from operator.
Spark arresting screen is designed to reduce the risk of fire.
- 9 Drilling Spindle**
For attaching the chuck or adapter to the power drill.
- 10 Padding**
Helps cushion thigh against handle frame.
- 11 Choke Knob**
Eases engine starting by enriching mixture.

- 12 Manual Fuel Pump**
Provides additional fuel feed for a cold start.
- 13 Spark Plug Cover**
Covers and protects the spark plug.
- 14 Throttle Trigger**
Controls the speed of the engine.
- 15 Auger Brake Activating Lever**
Lever for engaging and disengaging the auger brake.

Specifications

EPA / CEPA

The Emission Compliance Period referred to on the Emissions Compliance Label indicates the number of operating hours for which the engine has been shown to meet Federal emission requirements.

Category

A = 300 hours

B = 125 hours

C = 50 hours

Engine

STIHL single cylinder four-stroke engine with mixture lubrication

Displacement:	36.3 cc
Bore:	43 mm
Stroke:	25 mm
Engine power to ISO 8893:	1.4 kW (1.9 bhp) at 8,500 rpm
Idle speed:	2,800 rpm
Cut-off speed:	9,500 rpm
Valve clearance	
Inlet valve:	0.10 mm
Exhaust valve:	0.10 mm

Ignition System

Electronic magneto ignition

Spark plug (resistor type): NGK CMR 6H
 Electrode gap: 0.5 mm

This spark ignition system meets all requirements of the Canadian Interference-Causing Equipment Standard CAN ICES-2/NMB-2.

Fuel System

All position diaphragm carburetor with integral fuel pump

Fuel tank capacity: 710 cc (0.71 l)

Drilling gear

Two-stage spur gear drive

Gear ratio: 47.5:1
 Max. spindle speed: 200 rpm
 Max. torque at drilling spindle: 81 Nm
 Lubrication: STIHL gear lubricant for brushcutters

Weight

Dry, without drilling tool (auger): 10 kg

Dimensions

Length with handle frame: 400 mm
 Width with handle frame: 530 mm
 Height without drilling tool (auger): 365 mm

Features

Z Spark arrestor equipment


Maintenance and Repairs

Users of this machine may only carry out the maintenance and service work described in this user manual. All other repairs must be carried out by a servicing dealer.

STIHL recommends that you have servicing and repair work carried out exclusively by an authorized STIHL servicing dealer. STIHL dealers are regularly given the opportunity to attend training courses and are supplied with the necessary technical information.

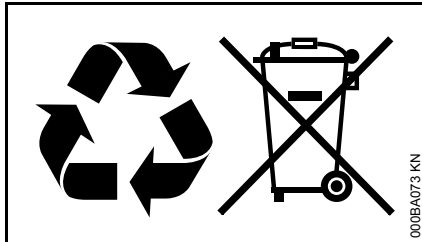
When repairing the machine, only use replacement parts which have been approved by STIHL for this power tool or are technically identical. Only use high-quality replacement parts in order to avoid the risk of accidents and damage to the machine.

STIHL recommends the use of original STIHL replacement parts.

Original STIHL parts can be identified by the STIHL part number, the **STIHL** logo and the STIHL parts symbol  (the symbol may appear alone on small parts).

Disposal

Observe all country-specific waste disposal rules and regulations.



STIHL products must not be thrown in the garbage can. Take the product, accessories and packaging to an approved disposal site for environment-friendly recycling.

Contact your STIHL servicing dealer for the latest information on waste disposal.

STIHL Limited Emission Control Warranty Statement

This statement is given voluntarily, based on the MOU (Memorandum of Understanding) as agreed in April 1999 between Environmental Canada and STIHL Limited

Your Warranty Rights and Obligations

STIHL Limited is pleased to explain the Emission Control System Warranty on your equipment type engine. In Canada new 1999 and later model year small off-road equipment engines must be designed, built and equipped, at the time of sale, to meet the U.S. EPA regulations for small non road engines. The equipment engine must be free from defects in materials and workmanship which cause it to fail to conform with U.S. EPA standards for the first two years of engine use from the date of sale to the ultimate purchaser.

STIHL Limited must warrant the emission control system on your small off-road engine for the period of time listed below provided there has been no abuse, neglect or improper maintenance of your small off-road equipment engine.

Your emissions control system may include parts such as the carburetor or fuel-injection system, the ignition system, and catalytic converter. Also included may be hoses, belts, connectors or other emission-related assemblies.

Where a warrantable condition exists, STIHL Limited will repair your small off-road equipment engine at no cost to you,

including diagnosis (if the diagnostic work is performed at an authorized dealer), parts, and labor.

Manufacturer's Warranty Coverage

In Canada 1999 and later model year small off-road equipment engines are warranted for two years. If any emission-related part on your engine is defective, the part will be repaired or replaced by STIHL Limited free of charge.

Owner's Warranty Responsibilities:

As the small off-road equipment engine owner, you are responsible for the performance of the required maintenance listed in your instruction manual. STIHL Limited recommends that you retain all receipts covering maintenance on your small off-road equipment engine, but STIHL Limited cannot deny warranty solely for the lack of receipts or for your failure to ensure the performance of all scheduled maintenance.

Any replacement part or service that is equivalent in performance and durability may be used in non-warranty maintenance or repairs, and shall not reduce the warranty obligations of the engine manufacturer.

As the small off-road equipment engine owner, you should be aware, however, that STIHL Limited may deny you warranty coverage if your small off-road equipment engine or a part has failed due to abuse, neglect, improper maintenance or unapproved modifications.

You are responsible for presenting your small off-road equipment engine to a STIHL service center as soon as a

problem exists. The warranty repairs will be completed in a reasonable amount of time, not to exceed 30 days.

If you have any questions regarding your warranty rights and responsibilities, please contact a STIHL customer service representative at www.stihl.ca

or you can write to:

STIHL Ltd.,
1515 Sise Road
Box 5666
CA-LONDON ONTARIO; N6A 4L6

Coverage by STIHL Limited

STIHL Limited warrants to the ultimate purchaser and each subsequent purchaser that your small off-road equipment engine will be designed, built and equipped, at the time of sale, to meet all applicable regulations. STIHL Limited also warrants to the initial purchaser and each subsequent purchaser that your engine is free from defects in materials and workmanship which cause the engine to fail to conform with applicable regulations for a period of two years.

Warranty Period

The warranty period will begin on the date the utility equipment engine is purchased by the initial purchaser and you have signed and sent back the warranty card to STIHL Ltd. If any emission-related part on your engine is defective, the part will be replaced by STIHL Limited at no cost to the owner. Any warranted part which is not scheduled for replacement as required maintenance, or which is scheduled only for regular inspection to the effect of "repair or replace as necessary" will be warranted for the warranty period. Any

warranted part which is scheduled for replacement as required maintenance will be warranted for the period of time up to the first scheduled replacement point for that part.

Diagnosis

You, as the owner, shall not be charged for diagnostic labor which leads to the determination that a warranted part is defective. However, if you claim warranty for a component and the machine is tested as non-defective, STIHL Limited will charge you for the cost of the emission test. Mechanical diagnostic work will be performed at an authorized STIHL servicing dealer. Emission test may be performed either at

STIHL Incorporated,
536 Viking Drive, P.O. Box 2015,
Virginia Beach, VA 23452

or at any independent test laboratory.

Warranty Work

STIHL Limited shall remedy warranty defects at any authorized STIHL servicing dealer or warranty station. Any such work shall be free of charge to the owner if it is determined that a warranted part is defective. Any manufacturer-approved or equivalent replacement part may be used for any warranty maintenance or repairs on emission-related parts and must be provided without charge to the owner. STIHL Limited is liable for damages to other engine components caused by the failure of a warranted part still under warranty.

The following list specifically defines the emission-related warranted parts:

- Air Filter
- Carburetor (if applicable)
- Fuel Pump
- Choke (Cold Start Enrichment System) (if applicable)
- Control Linkages
- Intake Manifold
- Magneto or Electronic Ignition System (Ignition Module or Electronic Control Unit)
- Fly Wheel
- Spark Plug
- Injection Valve (if applicable)
- Injection Pump (if applicable)
- Throttle Housing (if applicable)
- Cylinder
- Muffler
- Catalytic Converter (if applicable)
- Fuel Tank
- Fuel Cap
- Fuel Line
- Fuel Line Fittings
- Clamps
- Fasteners

Where to make a Claim for Warranty Service

Bring the product to any authorized STIHL servicing dealer and present the signed warranty card.

Maintenance Requirements

The maintenance instructions in this manual are based on the application of the recommended 2-stroke fuel-oil mixture (see also instruction "Fuel"). Deviations from this recommendation regarding quality and mixing ratio of fuel and oil may require shorter maintenance intervals.

Limitations

This Emission Control Systems Warranty shall not cover any of the following:

1. repair or replacement required because of misuse, neglect or lack of required maintenance
2. repairs improperly performed or replacements not conforming to STIHL Limited specifications that adversely affect performance and/or durability, and alterations or modifications not recommended or approved in writing by STIHL Limited
3. replacement of parts and other services and adjustments necessary for required maintenance at and after the first scheduled replacement point

Table des matières

Indications concernant la présente Notice d'emploi	28
Prescriptions de sécurité et techniques de travail	28
Assemblage	34
Réglage du câble de commande des gaz	35
Carburant	35
Ravitaillement en carburant	37
Frein de mèche	38
Montage de l'outil de forage	39
Mise en route / arrêt du moteur	39
Instructions de service	42
Dégagement d'un outil de forage coincé	42
Remplacement du filtre à air	43
Gestion moteur	44
Réglage du carburateur	44
Grille pare-étincelles dans le silencieux	45
Bougie	45
Fonctionnement du moteur	46
Graissage du réducteur	46
Rangement	47
Instructions pour la maintenance et l'entretien	48
Principales pièces	50
Caractéristiques techniques	51
Instructions pour les réparations	52
Mise au rebut	53
Garantie de la Société STIHL Limited relative au système antipollution	53

Chère cliente, cher client,

nous vous félicitons d'avoir choisi un produit de qualité de la société STIHL.

Ce produit a été fabriqué avec les procédés les plus modernes et les méthodes de surveillance de qualité les plus évoluées. Nous mettons tout en œuvre pour que cette machine vous assure les meilleurs services, de telle sorte que vous puissiez en être parfaitement satisfait.

Pour toute question concernant cette machine, veuillez vous adresser à votre revendeur ou directement à l'importateur de votre pays.



Dr. Nikolas Stihl

STIHL

La présente Notice d'emploi est protégée par des droits d'auteur. Tous droits réservés, en particulier tout droit de copie, de traduction et de traitement avec des systèmes électroniques quelconques.

Indications concernant la présente Notice d'emploi

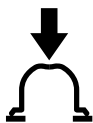
Pictogrammes

Les pictogrammes appliqués sur la machine sont expliqués dans la présente Notice d'emploi.

Suivant la machine et son équipement spécifique, les pictogrammes suivants peuvent y être appliqués.



Réservoir à carburant ; mélange d'essence et d'huile moteur



Actionner la pompe d'amorçage manuelle



Frein de mèche

Repérage des différents types de textes



AVERTISSEMENT

Avertissement contre un risque d'accident et de blessure ainsi que de graves dégâts matériels.



AVIS

Avertissement contre un risque de détérioration de la machine ou de certains composants.

Développement technique

La philosophie de STIHL consiste à poursuivre le développement continu de toutes ses machines et de tous ses dispositifs ; c'est pourquoi nous devons nous réserver tout droit de modification de nos produits, en ce qui concerne la forme, la technique et les équipements.

On ne pourra donc en aucun cas se prévaloir des indications et illustrations de la présente Notice d'emploi à l'appui de revendications quelconques.

Prescriptions de sécurité et techniques de travail



En travaillant avec cette machine, il faut respecter des prescriptions de sécurité particulières, parce qu'elle développe un couple élevé, que l'outil de forage tourne à haute vitesse et que les outils de forage ont des arêtes vives.



Avant la première mise en service, lire attentivement et intégralement la présente Notice d'emploi. La conserver précieusement pour pouvoir la relire lors d'une utilisation ultérieure. Un utilisateur qui ne respecte pas les instructions de la Notice d'emploi risque de causer un accident grave, voire mortel.

Respecter les prescriptions de sécurité nationales spécifiques publiées par ex. par les caisses professionnelles d'assurances mutuelles, caisses de sécurité sociale, services pour la protection du travail et autres organismes compétents.

Une personne qui travaille pour la première fois avec cette machine doit demander au vendeur ou à une autre personne compétente de lui montrer comment l'utiliser en toute sécurité – ou participer à un stage de formation.

Les jeunes encore mineurs ne sont pas autorisés à travailler avec cette machine – une seule exception est permise pour des apprentis de plus de 16 ans travaillant sous surveillance.

Veiller à ce que des spectateurs éventuels, en particulier des enfants, ou des animaux restent à une distance suffisante.

Lorsque la machine n'est pas utilisée, la ranger en veillant à ce qu'elle ne présente aucun danger pour d'autres personnes. Conserver la machine à un endroit adéquat, de telle sorte qu'elle ne puisse pas être utilisée sans autorisation.

L'utilisateur est responsable des blessures qui pourraient être infligées à d'autres personnes, de même que des dégâts matériels causés.

Ne confier la machine qu'à des personnes familiarisées avec ce modèle et sa manipulation – toujours y joindre la Notice d'emploi.

L'utilisation de dispositifs à moteur bruyants peut être soumise à des prescriptions nationales ou locales précisant les créneaux horaires à respecter.

L'utilisateur de la machine doit être reposé, en bonne santé et en bonne condition physique.

Il est conseillé à toute personne qui ne doit pas se fatiguer pour des raisons de santé de consulter son médecin pour savoir si l'utilisation d'un dispositif à moteur ne présente aucun risque.

Uniquement pour les personnes qui portent un stimulateur cardiaque : le système d'allumage de cette machine

engendre un champ électromagnétique de très faible intensité. Une influence sur certains types de stimulateurs cardiaques ne peut pas être totalement exclue. Afin d'écartier tout risque pour la santé, STIHL recommande aux personnes portant un stimulateur cardiaque de consulter leur médecin traitant et le fabricant du stimulateur cardiaque.

Il est interdit de travailler avec la machine après avoir consommé de l'alcool ou de la drogue ou bien après avoir pris des médicaments qui risquent d'affecter la réactivité.

Utiliser la machine – suivant les outils de forage assignés – exclusivement pour percer des trous dans le sol, dans le bois ou dans la glace. Il faut déterminer l'axe de forage adéquat de telle sorte qu'au cours du forage le levier du frein de mèche puisse à tout moment venir en appui contre la cuisse de l'utilisateur.

Il est interdit d'utiliser la machine pour d'autres opérations quelconques.

Avant d'entreprendre des travaux, s'assurer qu'il n'y a pas de conduites ou de câbles (par ex. pour le gaz, l'eau, l'électricité) enterrés dans la zone où l'on veut percer des trous :

- Se procurer toutes les informations nécessaires auprès des entreprises locales d'alimentation en énergie etc.
- En cas de doute, contrôler la présence de câbles ou de conduites à l'aide de détecteurs ou en creusant des tranchées de vérification.

Monter exclusivement des outils de forage ou accessoires autorisés par STIHL pour cette machine ou des pièces similaires du point de vue technique. Pour toute question à ce sujet, s'adresser à un revendeur spécialisé. Utiliser exclusivement des outils ou accessoires de haute qualité. Sinon, des accidents pourraient survenir ou la machine risquerait d'être endommagée.

STIHL recommande d'utiliser des outils et accessoires d'origine STIHL. Les propriétés de ceux-ci sont adaptées de manière optimale au produit et aux exigences de l'utilisateur.

N'apporter aucune modification à cette machine – cela risquerait d'en compromettre la sécurité. STIHL décline toute responsabilité pour des blessures ou des dégâts matériels occasionnés en cas d'utilisation d'équipements rapportés non autorisés.

Pour le nettoyage de cette machine, ne pas utiliser un nettoyeur haute pression. Le puissant jet d'eau risquerait d'endommager certaines pièces de la machine.

Vêtements et équipements

Porter des vêtements et équipements de protection réglementaires.



Les vêtements doivent être appropriés et ne doivent pas être gênants. Porter des vêtements bien ajustés – une combinaison, mais pas une blouse de travail.

Ne pas porter des vêtements qui risqueraient de se prendre dans le bois, les broussailles ou les pièces en mouvement de la machine. Ne pas non plus porter d'écharpe, de cravate ou de bijoux.



Les personnes aux cheveux longs doivent les nouer et les assurer de telle sorte qu'ils soient maintenus au-dessus des épaules.



Porter des chaussures robustes, à semelle crantée antidérapante.

AVERTISSEMENT



Pour réduire le risque de blessure oculaire, porter des lunettes de protection couvrant étroitement les yeux et conformes à la norme EN 166. Veiller à ce que les lunettes de protection soient bien ajustées.

Porter un dispositif antibruit « personnel » – par ex. des capsules protégé-oreilles.

Porter un casque de sécurité en cas de risque de chute d'objets.



Porter des gants de travail robustes en matériau résistant (par ex. en cuir).

STIHL propose une gamme complète d'équipements pour la protection individuelle.

Transport de la machine

Toujours arrêter le moteur.

Pour le transport sur d'assez longues distances, démonter l'outil de forage et porter la machine par le cadre – avec les pièces très chaudes de la machine (par ex. réducteur) orientées dans le sens opposé au corps – **risque de brûlure !**

Pour le transport dans un véhicule : assurer la machine de telle sorte qu'elle ne risque pas de se renverser, d'être endommagée ou de perdre du carburant.

Ravitaillement



L'essence est un carburant extrêmement inflammable – rester à une distance suffisante de toute flamme ou source d'inflammation – ne pas renverser du carburant – ne pas fumer.

Arrêter le moteur avant de refaire le plein.

Ne pas refaire le plein tant que le moteur est très chaud – du carburant peut déborder – **risque d'incendie !**

Ouvrir prudemment le bouchon du réservoir à carburant, afin que la surpression interne s'échappe lentement et que du carburant ne soit pas éjecté.

Faire le plein exclusivement à un endroit bien aéré. Si l'on a renversé du carburant, essuyer immédiatement la machine. Ne pas se renverser du carburant sur les vêtements – le cas échéant, se changer immédiatement.



Après avoir fait le plein, serrer le bouchon le plus fermement possible.

Cela réduit le risque de desserrage du bouchon du réservoir sous l'effet des vibrations du moteur, et de fuite de carburant.





S'assurer qu'il n'y a pas de fuites ! Si l'on constate une fuite de carburant, ne pas mettre le moteur en marche – **danger de mort par suite de brûlures !**

Avant la mise en route du moteur

S'assurer que la machine se trouve en parfait état pour un fonctionnement en toute sécurité – conformément aux indications des chapitres correspondants de la Notice d'emploi :

- Contrôler l'étanchéité du système d'alimentation en carburant, en examinant tout particulièrement les pièces visibles telles que le bouchon du réservoir, les raccords de flexibles, la pompe d'amorçage manuelle (seulement sur les machines munies d'une pompe d'amorçage manuelle). Ne pas démarrer le moteur en cas de manque d'étanchéité ou

d'endommagement – **risque d'incendie !** Avant de remettre la machine en service, la faire contrôler par le revendeur spécialisé.

- Le bouton d'arrêt doit pouvoir être enfoncé facilement.
- Le frein de mèche doit fonctionner correctement.
- Le levier de starter, le blocage de gâchette d'accélérateur et la gâchette d'accélérateur doivent fonctionner facilement – la gâchette d'accélérateur doit revenir automatiquement en position de ralenti, sous l'effet de son ressort. En partant des positions  et  du levier de starter, ce levier doit revenir dans la position de marche normale I, sous l'effet de son ressort, lorsqu'on enfonce en même temps le blocage de gâchette d'accélérateur et la gâchette d'accélérateur.
- Contrôler le serrage du contact de câble d'allumage sur la bougie – un contact desserré peut provoquer un jaillissement d'étincelles risquant d'enflammer le mélange carburé qui aurait pu s'échapper – **risque d'incendie !**
- N'apporter aucune modification aux dispositifs de commande et de sécurité.
- Les poignées doivent être propres et sèches, sans huile ni autres salissures – un point très important pour que l'on puisse manier la machine en toute sécurité.

Il est interdit d'utiliser la machine si elle ne se trouve pas en parfait état de fonctionnement – **risque d'accident !**

Mise en route du moteur

Aller au moins à 3 mètres du lieu où l'on a fait le plein – et ne pas lancer le moteur dans un local fermé.

Il faut impérativement se tenir dans une position stable et sécurisée, sur une aire plane.

Avant la mise en route du moteur, il faut engager le frein de mèche. Sinon l'outil de forage pourrait être entraîné et l'utilisateur risquerait de perdre le contrôle de la tarière.

La machine doit être maniée par une seule personne – ne pas tolérer la présence d'autres personnes dans la zone de travail – pas même à la mise en route du moteur.

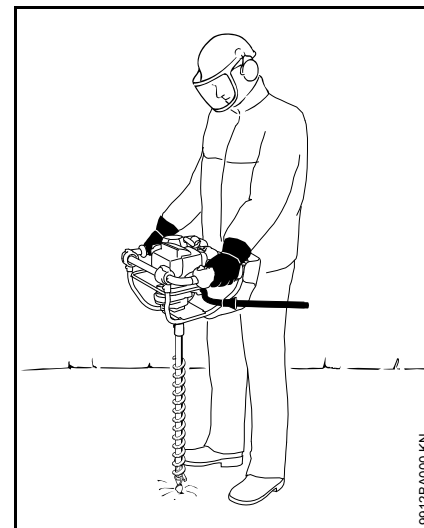
Éviter tout contact avec l'outil de forage – **risque de blessure !**

Ne pas lancer le moteur en tenant la machine à bout de bras – pour la mise en route du moteur, procéder comme décrit dans la Notice d'emploi.

Contrôler le ralenti du moteur : au ralenti – avec gâchette d'accélérateur relâchée – l'outil de forage doit être arrêté.

Écarter toute matière aisément inflammable (par ex. copeaux, morceaux d'écorce, herbe sèche, carburant) du flux des gaz d'échappement et du silencieux très chaud – **risque d'incendie !**

Maintien et guidage de la machine



Toujours tenir fermement la machine par les poignées, à deux mains.

Toujours se tenir dans une position stable et sûre – avec le levier de déclenchement du frein de mèche contre la cuisse gauche.

Entourer fermement les poignées avec les pouces, tenir la poignée de commande de la main gauche.

Pendant le travail

Toujours se tenir dans une position stable et sûre.

En cas d'urgence ou de danger imminent, arrêter immédiatement le moteur – appuyer sur le bouton d'arrêt.

Ne tolérer la présence d'aucune autre personne dans la zone de travail. Garder une distance suffisante par rapport à toute autre personne – **risque d'accident !**

Veiller à ce que le ralenti soit correctement réglé – de telle sorte qu'après le relâchement de la gâchette d'accélérateur l'outil de forage ne soit plus entraîné et s'arrête.

Contrôler régulièrement le réglage du ralenti et le rectifier si nécessaire. Si l'outil de forage tourne au ralenti, malgré un réglage correct, faire réparer la machine par le revendeur spécialisé. STIHL recommande de s'adresser au revendeur spécialisé STIHL.

Faire particulièrement attention sur un sol glissant, mouillé, couvert de neige ou de verglas – de même qu'en travaillant à flanc de coteau ou sur un terrain inégal etc. – **risque de dérapage !**

Faire attention aux obstacles : souches d'arbres, racines – **pour ne pas risquer de trébucher !**

En travaillant avec des protège-oreilles, il faut faire tout particulièrement attention – parce que des bruits signalant un danger (cris, signaux sonores etc.) sont moins bien perceptibles.

Faire des pauses à temps pour ne pas risquer d'atteindre un état de fatigue ou d'épuisement qui pourrait **entraîner un accident !**

Travailler calmement, de manière bien réfléchie – seulement dans de bonnes conditions de visibilité et d'éclairage. Prendre les précautions utiles pour exclure le risque de blesser d'autres personnes.



Dès que le moteur est en marche, il dégage des gaz d'échappement toxiques. Ces gaz peuvent être inodores et invisibles, et renfermer des hydrocarbures et du benzène imbrûlés. Ne jamais travailler avec cette machine dans des locaux fermés ou mal aérés – pas non plus si le moteur est équipé d'un catalyseur.

En travaillant dans des fossés, des dépressions de terrain ou des espaces restreints, toujours veiller à ce que la ventilation soit suffisante. **Danger de mort par intoxication !**

En cas de nausée, de maux de tête, de troubles de la vue (par ex. rétrécissement du champ de vision) ou de l'ouïe, de vertige ou de manque de concentration croissant, arrêter immédiatement le travail – ces symptômes peuvent, entre autres, être causés par une trop forte concentration de gaz d'échappement dans l'air ambiant – **risque d'accident !**

Éviter les émissions de bruits et de gaz d'échappement inutiles. Ne pas laisser le moteur en marche lorsque la machine n'est pas utilisée – accélérer seulement pour travailler.

Ne pas fumer en travaillant ou à proximité de la machine – **risque d'incendie !** Des vapeurs d'essence inflammables peuvent s'échapper du système d'alimentation en carburant.

Les poussières, les vapeurs et les fumées dégagées au cours du travail peuvent nuire à la santé. En cas de fort dégagement de poussière ou de fumée, porter un masque respiratoire.

Si la machine a été soumise à des sollicitations sortant du cadre de l'utilisation normale (par ex. si elle a été soumise à des efforts violents, en cas de choc ou de chute), avant de la remettre en marche, il faut impérativement s'assurer qu'elle se trouve en parfait état de fonctionnement – voir également « Avant la mise en route du moteur ».

Contrôler tout particulièrement l'étanchéité du système de carburant et la fiabilité des dispositifs de sécurité. Il ne faut en aucun cas continuer d'utiliser la machine si la sécurité de son fonctionnement n'est pas garantie. En cas de doute, consulter le revendeur spécialisé.

Ne pas travailler avec la commande d'accélérateur en position de démarrage – dans cette position de la gâchette d'accélérateur, il n'est pas possible de régler le régime du moteur.

Ne jamais toucher l'outil de forage ou la broche de forage avant que le moteur et l'outil de forage soient arrêtés – **risque de blessure !**



Éviter tout contact avec des câbles électriques sous tension – **risque d'électrocution !**

Tenir fermement la machine afin de pouvoir maîtriser les à-coups inattendus – pour le forage, exercer seulement une faible pression d'avance.



Sur les terrains pierreux ou renfermant de nombreuses racines, travailler en faisant particulièrement attention.

Recouvrir et signaler les trous forés.

Pour remplacer l'outil de forage, arrêter le moteur et enclencher le frein de mèche – **risque de blessure !**

Ne pas toucher aux pièces très chaudes de la machine, en particulier au silencieux – **risque de brûlure**.

Avant de quitter la machine : arrêter le moteur.

Vérifier les outils de forage à de courts intervalles réguliers – et immédiatement si le comportement de l'outil change perceptiblement ! Remplacer immédiatement les outils de forage et les couteaux endommagés ou émoussés.

Vibrations

Au bout d'une assez longue durée d'utilisation de la machine, les vibrations peuvent provoquer une perturbation de l'irrigation sanguine des mains (« maladie des doigts blancs »).

Il n'est pas possible de fixer une durée d'utilisation valable d'une manière générale, car l'effet des vibrations dépend de plusieurs facteurs.

Les précautions suivantes permettent de prolonger la durée d'utilisation :

- garder les mains au chaud (porter des gants chauds) ;
- faire des pauses.

Les facteurs suivants raccourcissent la durée d'utilisation :

- tendance personnelle à souffrir d'une mauvaise irrigation sanguine (symptômes : doigts souvent froids, fourmillements) ;
- utilisation à de basses températures ambiantes ;
- effort exercé sur les poignées (une prise très ferme gêne l'irrigation sanguine).

Si l'on utilise régulièrement la machine pendant de longues périodes et que les symptômes indiqués ci-avant (par ex. fourmillements dans les doigts) se manifestent à plusieurs reprises, il est recommandé de se faire ausculter par un médecin.

Maintenance et réparations

La machine doit faire l'objet d'une maintenance régulière. Effectuer exclusivement les opérations de maintenance et les réparations décrites dans la Notice d'emploi. Faire exécuter toutes les autres opérations par un revendeur spécialisé.

STIHL recommande de faire effectuer les opérations de maintenance et les réparations exclusivement chez le revendeur spécialisé STIHL. Les revendeurs spécialisés STIHL participent régulièrement à des stages de perfectionnement et ont à leur disposition les informations techniques requises.

Utiliser exclusivement des pièces de rechange de haute qualité. Sinon, des accidents pourraient survenir et la

machine risquerait d'être endommagée. Pour toute question à ce sujet, s'adresser à un revendeur spécialisé.

STIHL recommande d'utiliser des pièces de rechange d'origine STIHL. Leurs caractéristiques sont optimisées tout spécialement pour cette machine, et pour répondre aux exigences de l'utilisateur.

Pour la réparation, la maintenance et le nettoyage, toujours **arrêter le moteur et débrancher le câble d'allumage de la bougie** – **risque de blessure** en cas de mise en route inopinée du moteur ! – Exception : réglage du carburateur et du ralenti.

Lorsque le câble d'allumage est débranché de la bougie ou que la bougie est dévissée, ne pas faire tourner le moteur avec le lanceur – **risque d'incendie** par suite d'un jaillissement d'étincelles d'allumage à l'extérieur du cylindre !

Ne pas procéder à la maintenance de la machine à proximité d'un feu et ne pas non plus ranger la machine à proximité d'un feu – le carburant présente un **risque d'incendie !**

Contrôler régulièrement l'étanchéité du bouchon du réservoir à carburant.

Utiliser exclusivement une bougie autorisée par STIHL – voir « Caractéristiques techniques » – et dans un état impeccable.

Vérifier le câble d'allumage (isolement dans un état impeccable, bon serrage du raccord).

S'assurer que le silencieux est dans un état impeccable.

Ne pas travailler avec la machine si le silencieux est endommagé ou manque – **risque d'incendie ! – Lésion de l'ouïe !**

Ne pas toucher au silencieux très chaud – **risque de brûlure !**

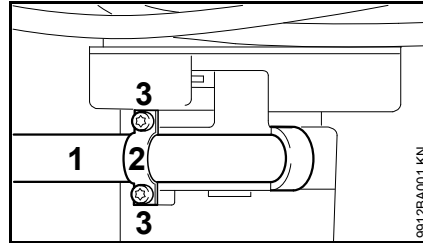
L'état des éléments antivibratoires AV a une influence sur les caractéristiques du point de vue vibrations – c'est pourquoi il faut régulièrement contrôler les éléments AV.

L'entretien, le remplacement ou la réparation des dispositifs et systèmes de contrôle des émissions peuvent être effectués par tout établissement de réparation de moteurs non routiers ou par un particulier. Toutefois, si vous faites une demande de garantie pour un composant qui n'a pas été réparé ou entretenu correctement, STIHL peut refuser la couverture.

Pour tout entretien, veuillez vous référer au tableau d'entretien et à la déclaration de garantie qui se trouvent à la fin du manuel d'instructions.

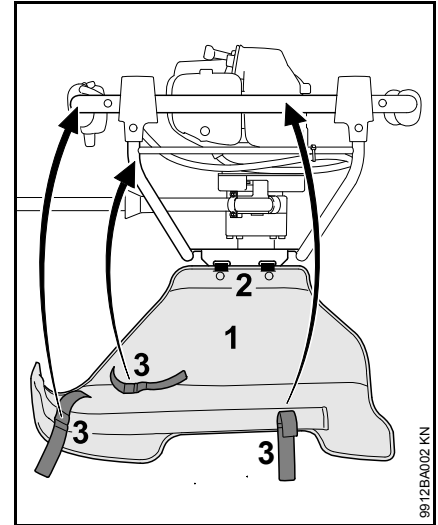
Assemblage

Montage du levier de déclenchement du frein de mèche

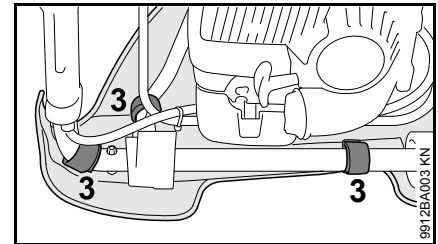


- Mettre le levier de déclenchement (1) dans la pièce de serrage ;
- poser le support (2) sur le levier de déclenchement ;
- visser et serrer les vis de fixation (3).

Montage du coussin d'appui



- Accrocher le coussin d'appui (1) en introduisant les pattes (2) dans les trous oblongs du cadre ;
- basculer le coussin d'appui vers le haut ;

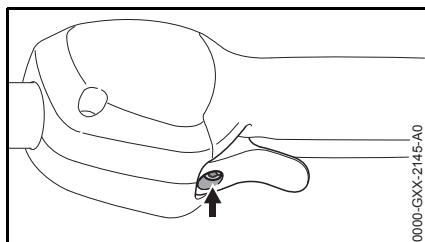


- fixer le coussin d'appui sur le tube des poignées à l'aide des bandes agrippantes (3) – ne pas pincer le câble de commande des gaz.

Réglage du câble de commande des gaz

Après l'assemblage de la machine ou au bout d'une assez longue période d'utilisation de la machine, une correction du réglage du câble de commande des gaz peut s'avérer nécessaire.

Ne procéder au réglage du câble de commande des gaz qu'après l'assemblage intégral de la machine.



- Amener la gâchette d'accélérateur en position pleins gaz.
- Serrer la vis (flèche) située dans la gâchette d'accélérateur dans le sens des aiguilles d'une montre, jusqu'au premier point dur. Ensuite, exécuter encore un demi-tour supplémentaire dans le même sens.

Carburant

Ce moteur est certifié pour fonctionner avec de l'essence sans plomb et l'huile pour moteur à deux temps STIHL à un rapport de mélange de 50:1.

Votre moteur nécessite un mélange d'essence de qualité supérieure et d'huile pour moteur 2 temps à refroidissement par air.

Utilisez de l'essence sans plomb de qualité moyenne avec un indice d'octane minimum de 89 ((R+M)/2) et une teneur en éthanol ne dépassant pas 10 %.



Un carburant dont l'indice d'octane est inférieur à 89 risque d'augmenter la température du moteur. Ceci augmente à son tour le risque de blocage du piston et de dommages au moteur.

La composition chimique du carburant est elle aussi importante. Certains additifs pour carburant entraînent non seulement des dégradations des élastomères (membranes du carburateur, joints à huile, conduites de carburant, etc.), mais aussi des pièces moulées en magnésium et des convertisseurs catalytiques. Il pourrait en résulter des problèmes de fonctionnement et des dommages au moteur. C'est la raison pour laquelle STIHL recommande d'utiliser uniquement une essence sans plomb de bonne qualité !



De l'essence ayant une teneur en éthanol supérieure à 10 % peut donner lieu à des problèmes de fonctionnement et provoquer de sérieux dommages au moteur, il convient donc de ne pas en utiliser.

Pour plus d'informations, veuillez consulter le site www.STIHLusa.com/ethanol

La teneur en éthanol de l'essence influe sur la vitesse du moteur - il peut être nécessaire de réajuster le carburateur si vous utilisez des carburants ayant des teneurs en éthanol différentes.



Pour réduire le risque de blessure corporelle en cas de perte de contrôle et/ou de contact avec l'outil de coupe en marche, n'utilisez pas votre appareil avec un réglage de ralenti incorrect. À une vitesse de ralenti correcte, l'outil de coupe ne doit pas bouger.

Si le régime de ralenti de votre machine est mal réglé, demandez à votre concessionnaire agréé STIHL de vérifier votre machine et d'effectuer les réglages et les réparations nécessaires.

Le régime de ralenti et la vitesse maximale du moteur changent si vous passez d'un carburant ayant une certaine teneur en éthanol à un autre carburant ayant une teneur en éthanol beaucoup plus ou moins élevée.

Ce problème peut être évité en utilisant toujours du carburant ayant la même teneur en éthanol.

Pour assurer la performance maximale de votre moteur STIHL, utilisez une huile moteur 2 temps de haute qualité. Pour aider votre moteur à fonctionner plus proprement et réduire les dépôts de carbone nocifs, STIHL recommande d'utiliser l'huile moteur 2 temps STIHL HP Ultra, ou demandez à votre concessionnaire une huile moteur 2 temps entièrement synthétique équivalente..

Pour répondre aux exigences de l'EPA et de la CARB, nous recommandons d'utiliser l'huile STIHL HP Ultra.

STIHL MotoMix

STIHL recommande l'utilisation de STIHL MotoMix. STIHL MotoMix possède un indice d'octane élevé et vous garantit toujours le rapport de mélange essence/huile correct.

STIHL MotoMix utilise de l'huile pour moteur deux temps STIHL HP Ultra, adaptée aux moteurs à hautes performances.

Pour plus d'informations, veuillez consulter le site www.STIHLusa.com/ethanol

Si vous n'utilisez pas MotoMix, utilisez exclusivement de l'huile pour moteur 2 temps STIHL ou des huiles équivalentes de haute qualité pour moteur 2 temps qui sont conçues pour être utilisées dans les moteurs 2 temps à refroidissement par air.

L'utilisation de mélanges d'essence non saisonniers peut accroître le risque de mise en pression du réservoir à carburant pendant l'utilisation. L'utilisation d'un mélange hiver en été,

par exemple, provoquera une augmentation de la pression dans le réservoir à carburant. Utilisez toujours des mélanges de carburant adaptés à la saison, à l'altitude et aux autres facteurs environnementaux.

N'utilisez pas de mélanges de type NMMA ou TCW (deux temps à refroidissement par eau) ou d'autres mélanges indiqués comme convenant à la fois aux moteurs à refroidissement par eau et par air (par exemple moteurs de hors-bord, motoneiges, tronçonneuses, cyclomoteurs, etc.).

! AVERTISSEMENT

Soyez prudent en manipulant l'essence. Évitez tout contact direct avec la peau et l'inhalation de vapeurs de carburant. Lors du remplissage à la pompe, retirez d'abord le conteneur de votre véhicule et placez-le sur le sol avant de le remplir. Pour réduire le risque d'étincelles dues à une décharge statique et à l'incendie et/ou l'explosion qui en résulte, ne remplissez pas les conteneurs de carburant qui se trouvent dans ou sur un véhicule ou une remorque.

Le conteneur doit être maintenu hermétiquement fermé afin de limiter la quantité d'humidité qui pénètre dans le mélange.

Le réservoir de carburant de la machine doit être nettoyé si nécessaire.

Le mélange de combustibles vieillit

Si vous n'utilisez pas le MotoMix, ne mélangez que suffisamment de carburant pour quelques jours de travail, sans dépasser 30 jours de stockage. Ne

stocker que dans des conteneurs de carburant agréés. Lors du mélange, versez tout d'abord l'huile dans le conteneur et ensuite ajoutez l'essence. Fermez le conteneur et agitez-le à la main afin de garantir un mélange correct d'huile et d'essence.

! AVERTISSEMENT

La pression dans le conteneur à carburant peut augmenter si vous le secouez. Pour réduire le risque d'incendie et de blessures ou de dommages matériels résultant des projections d'essence, laissez reposer le conteneur à carburant pendant plusieurs minutes avant de l'ouvrir. Ouvrez le conteneur lentement pour libérer toute pression résiduelle. N'ouvrez jamais un conteneur à carburant à proximité de sources d'allumage quelconques. Lisez et observez tous les avertissements et les instructions qui accompagnent le conteneur à carburant.

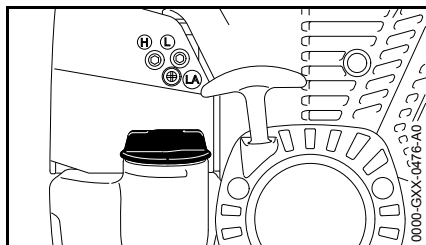
Essence	Huile (STIHL 50:1 ou huiles de qualité équivalente)
US gal.	US fl.oz.
1	2,6
2 1/2	6,4
5	12,8

Les récipients vides ayant contenu du mélange doivent être mis au rebut exclusivement auprès des points de collecte autorisés.

Ravitaillement en carburant

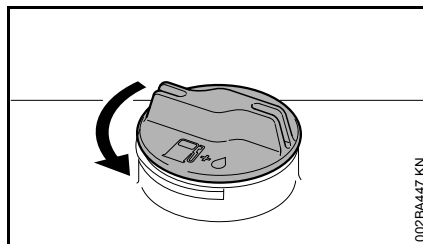


Préparatifs



- Avant de faire le plein, nettoyer le bouchon du réservoir et son voisinage, afin qu'aucune impureté ne risque de pénétrer dans le réservoir.
- Positionner la machine de telle sorte que le bouchon du réservoir soit orienté vers le haut.

Ouverture du bouchon du réservoir



- Tourner le bouchon dans le sens inverse des aiguilles d'une montre jusqu'à ce qu'il puisse être enlevé de l'orifice du réservoir ;
- enlever le bouchon du réservoir.

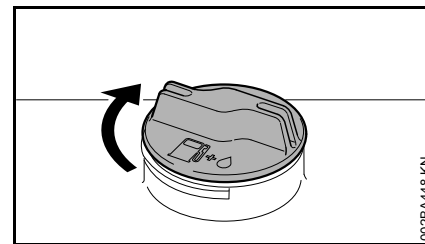
Ravitaillement en carburant

En faisant le plein, ne pas renverser du carburant et ne pas remplir le réservoir jusqu'au bord.

STIHL recommande d'utiliser le système de remplissage STIHL pour carburant (accessoire optionnel).

- Faire le plein de carburant.

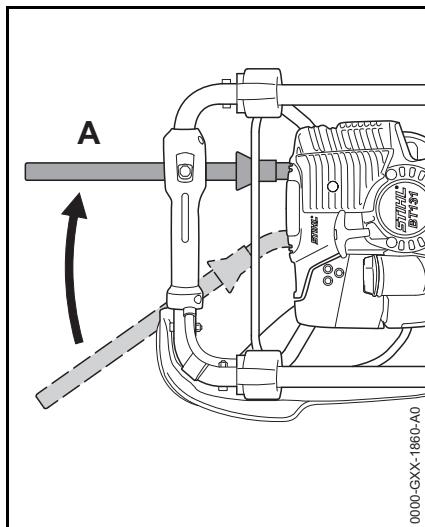
Fermeture du bouchon du réservoir



- Présenter le bouchon sur l'orifice ;
- tourner le bouchon dans le sens des aiguilles d'une montre, jusqu'en butée, puis le serrer le plus fermement possible, à la main.

Frein de mèche

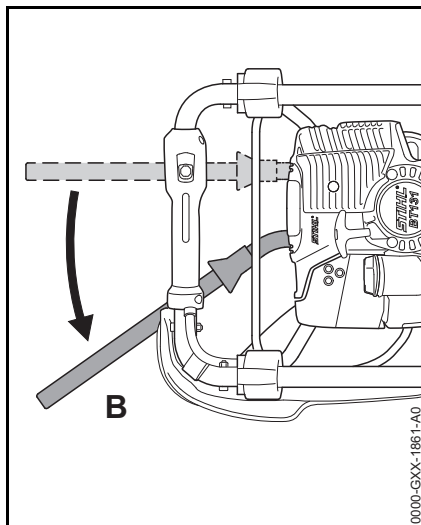
Déclenchement du frein de mèche



- Amener le levier de déclenchement dans la position **A**
- pour la mise en route du moteur,
- au ralenti,
- pour dégager un outil de forage coincé.

Lorsque l'outil de forage accroche dans le trou foré (par ex. entre des racines ou des pierres), la tarière décrit un mouvement dans le sens contraire à celui des aiguilles d'une montre – le levier de déclenchement est poussé contre la cuisse de l'utilisateur et le frein de mèche est déclenché.

Desserrage du frein de mèche



- Amener le levier de déclenchement dans la position **B**.

Contrôle du fonctionnement du frein de mèche

Le frein de mèche est soumis à une usure naturelle. Avant de commencer le travail et après le dégagement d'un outil de forage coincé, il faut régulièrement s'assurer que le frein de mèche est en bon état de fonctionnement.

Chaque fois, avant de commencer le travail et après le dégagement d'un outil de forage coincé,

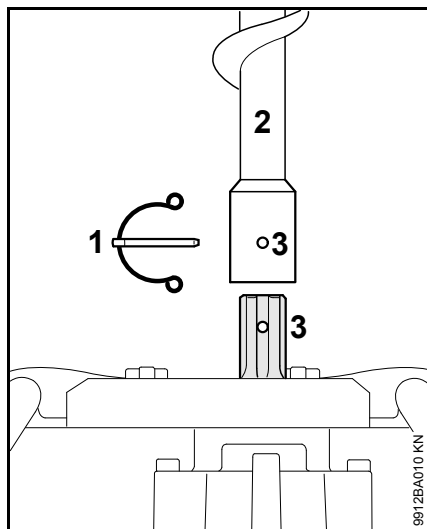
- le moteur tournant au ralenti, déclencher le frein de mèche et accélérer brièvement à fond

(pendant 3 secondes au maximum)
– l'outil de forage ne doit pas être entraîné.

En cas de défaillance du frein de mèche, le faire immédiatement remettre en état par le revendeur spécialisé – STIHL recommande de s'adresser au revendeur spécialité STIHL.

Montage de l'outil de forage

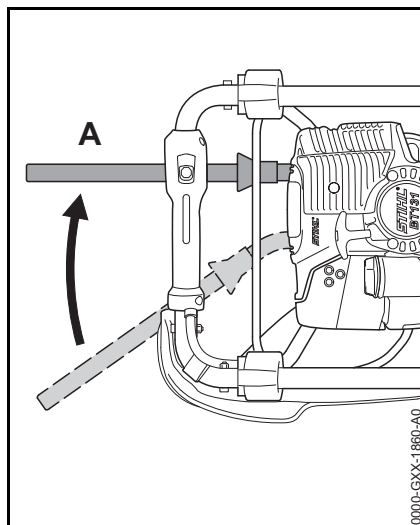
- Arrêter le moteur et déclencher le frein de mèche – voir « Frein de mèche ».
- Poser la tarière.



- Retirer la goupille de sécurité (1) de la tige de la mèche.
- Glisser l'outil de forage (2) sur la broche de forage, jusqu'à ce que les trous (3) coïncident.
- Introduire la goupille de sécurité dans le trou.
- Rabattre l'étrier à ressort de la goupille de sécurité de telle sorte qu'il entoure la tige de la mèche.

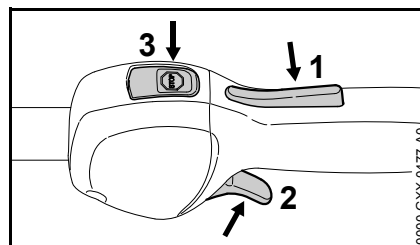
Mise en route / arrêt du moteur

Déclenchement du frein de mèche



- Amener le levier de déclenchement dans la position **A**. Le frein de mèche est engagé et l'outil de forage est bloqué.

Éléments de commande



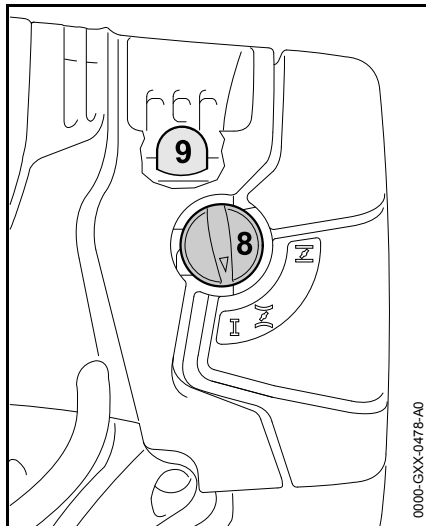
- 1 Blocage de gâchette d'accélérateur

- 2 Gâchette d'accélérateur
3 Bouton d'arrêt – avec les positions pour **marche normale** et **Stop**. Pour couper le contact, il faut enfoncer le bouton d'arrêt (☹) – voir « Fonctionnement du bouton d'arrêt et de l'allumage ».

Fonctionnement du bouton d'arrêt et de l'allumage


Lorsque le bouton d'arrêt n'est pas actionné, il se trouve en position de **marche normale** : le contact d'allumage est mis – le moteur est prêt à démarrer et peut être lancé. Lorsqu'on enfonce le bouton d'arrêt, le contact est coupé. Après l'arrêt du moteur, le contact d'allumage est remis automatiquement.

Mise en route du moteur

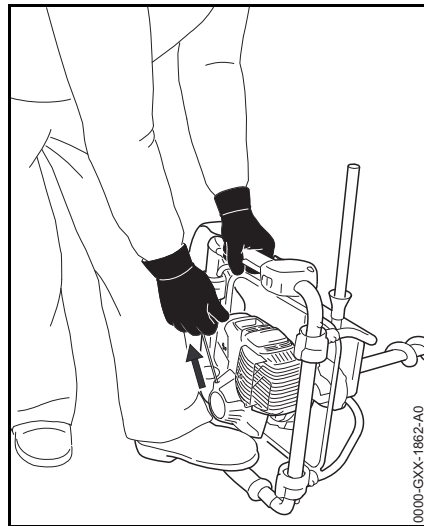


- Enfoncer au moins 5 fois le soufflet de la pompe d'amorçage manuelle (9) – même si le soufflet est rempli de carburant.
- Enfoncer le levier du volet de starter (8) et le tourner jusqu'à ce qu'il s'encliquette dans la position voulue

 si le moteur est froid

 si le moteur est chaud – également si le moteur a déjà tourné mais est encore froid.

Lancement du moteur



- Poser la machine sur le sol, dans une position sûre.
- S'assurer que le frein de mèche est engagé.
- Se tenir dans une position bien stable.
- Poser le pied gauche sur le cadre de poignées.
- Placer la main gauche sur le cadre de poignées – en ne touchant ni à la gâchette d'accélérateur, ni au blocage de gâchette d'accélérateur – en passant le pouce sous le cadre de poignées.

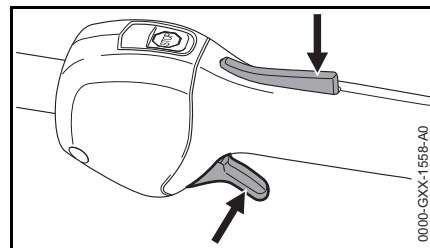
- Avec la main droite, saisir la poignée du lanceur.
- Tirer lentement la poignée du lanceur jusqu'à la première résistance perceptible, puis tirer vigoureusement d'un coup sec.



Ne pas sortir le câble sur toute sa longueur – il risquerait de casser !

- Ne pas lâcher la poignée du lanceur – la guider à la main dans le sens opposé à la traction, de telle sorte que le câble de lancement puisse s'enrouler correctement.
- Lancer le moteur jusqu'à ce qu'il démarre.

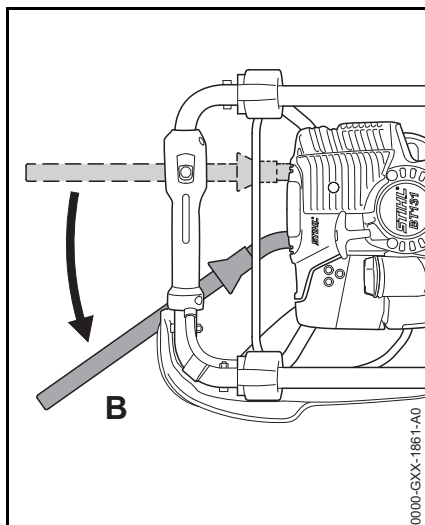
Dès que le moteur tourne



- Enfoncer le blocage de gâchette d'accélérateur et donner immédiatement une brève impulsion sur la gâchette d'accélérateur – le levier du volet de starter revient dans la position de marche normale I.



Le moteur doit être **immédiatement** ramené au ralenti – sinon, le frein de mèche étant bloqué, des dommages pourraient se produire au niveau de l'embrayage.



- Placer la machine de telle sorte qu'elle repose sur la pointe de l'outil de forage.
- Amener le levier de déclenchement dans la position **B** – le frein de mèche est desserré – la tarière est prête à l'utilisation.

! AVERTISSEMENT

Si le carburateur est correctement réglé, l'outil de forage ne doit pas tourner au ralenti !

La machine est prête à l'utilisation.

Arrêt du moteur

- Actionner le bouton d'arrêt – le moteur s'arrête – relâcher le bouton d'arrêt – le bouton d'arrêt revient dans la position initiale, sous l'effet de son ressort.

Indications complémentaires concernant la mise en route du moteur

Si le moteur cale en position de démarrage à froid $\overline{\text{I}}$ ou à l'accélération

- Placer le levier du volet de starter en position $\overline{\text{I}}$ – continuer de lancer le moteur jusqu'à ce qu'il démarre.

Si le moteur ne démarre pas dans la position de démarrage à chaud $\overline{\text{II}}$

- Placer le levier du volet de starter en position $\overline{\text{I}}$ – continuer de lancer le moteur jusqu'à ce qu'il démarre.

Si le moteur ne démarre pas

- Contrôler si tous les éléments de commande sont réglés correctement.
- Contrôler s'il y a du carburant dans le réservoir, refaire le plein si nécessaire.
- Contrôler si le contact du câble d'allumage est fermement emboîté sur la bougie.
- Répéter la procédure de mise en route du moteur.

Si le moteur est noyé

- Placer le levier du volet de starter en position **I** – continuer de lancer le moteur jusqu'à ce qu'il démarre.

Si le moteur est tombé en panne sèche

- Après avoir fait le plein, enfoncer au moins 5 fois le soufflet de la pompe d'amorçage – même si le soufflet est rempli de carburant.
- Placer le levier du volet de starter dans la position requise en fonction de la température du moteur.
- Remettre le moteur en marche.

Instructions de service

Au cours de la première période d'utilisation

Jusqu'à l'épuisement des trois premiers pleins du réservoir, ne pas faire tourner la machine neuve à haut régime, à vide, afin d'éviter une sollicitation supplémentaire au cours du rodage. Durant le rodage, les éléments mobiles doivent s'adapter les uns aux autres – les frictions à l'intérieur du bloc-moteur offrent une résistance assez élevée. Le moteur n'atteint sa puissance maximale qu'au bout d'une période d'utilisation correspondant à la consommation de 5 à 15 pleins du réservoir.

Au cours du travail

Après une assez longue phase de fonctionnement à pleine charge, laisser le moteur tourner au ralenti pendant quelques instants – le plus gros de la chaleur est alors dissipé par le flux d'air de refroidissement, ce qui évite une accumulation de chaleur qui soumettrait les pièces rapportées sur le bloc-moteur (allumage, carburateur) à des sollicitations thermiques extrêmes.

Après le travail

Pour une courte période d'immobilisation : laisser le moteur refroidir. Veiller à ce que le réservoir à carburant soit complètement rempli et, jusqu'à la prochaine utilisation, ranger la machine à un endroit sec, à l'écart de

toute source d'inflammation. Pour une assez longue période d'immobilisation – voir « Rangement ».

Travail avec une tige-rallonge (accessoire optionnel)

Monter la tige-rallonge seulement une fois que la profondeur du trou foré atteint déjà toute la longueur de la mèche.



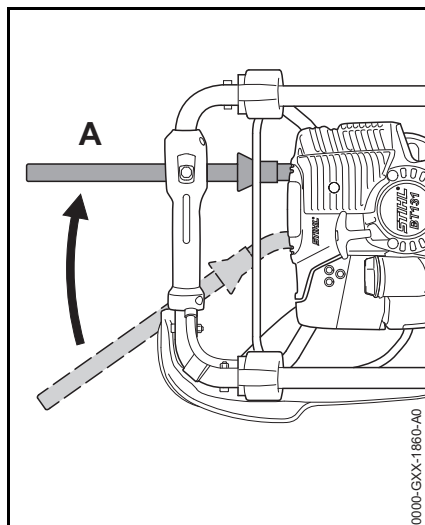
AVERTISSEMENT

Le fait d'entreprendre le forage avec une mèche munie de la tige-rallonge présente pour l'utilisateur des risques d'accident accrus parce que la tarière se trouve alors à la hauteur de la poitrine et qu'elle ne peut plus être tenue et maniée avec la sécurité requise. C'est pourquoi il faut aussi enlever la tige-rallonge avant de ressortir totalement l'outil de forage du trou foré.

Dégagement d'un outil de forage coincé

Si l'outil de forage se coince dans le trou foré

- Arrêter immédiatement le moteur.
- Actionner le bouton d'arrêt – le moteur s'arrête – relâcher le bouton d'arrêt – le bouton d'arrêt revient dans la position initiale, sous l'effet de son ressort.



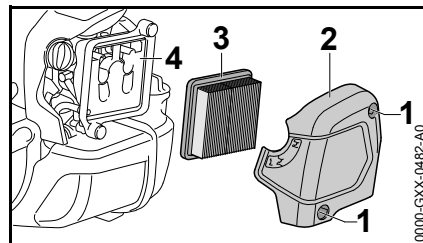
- Amener le levier de déclenchement dans la position **A** – le frein de mèche est déclenché.
- Faire tourner toute la tarière vers la gauche, dans le sens inverse des aiguilles d'une montre, jusqu'à ce que l'outil de forage soit libre.
- Après le dégagement de l'outil de forage coincé, contrôler le fonctionnement du frein de mèche – voir « Frein de mèche ».

Remplacement du filtre à air

En moyenne, les intervalles de maintenance du filtre atteignent plus d'un an. Ne pas démonter le couvercle de filtre et ne pas remplacer le filtre à air tant que l'on ne constate pas de perte de puissance sensible.

Si la puissance du moteur baisse sensiblement

- Démontez le coussin d'appui du cadre.



- Tourner le bouton du volet de starter dans la position **I**.
- Dévisser les vis (1).
- Enlever le couvercle de filtre (2).
- Nettoyer grossièrement le voisinage du filtre.
- Enlever le filtre (3).
- Remplacer le filtre s'il est encrassé ou endommagé.
- Remplacer les pièces endommagées.

Montage du filtre

- Mettre le filtre neuf dans le boîtier de filtre et monter le couvercle de filtre.
- Visser et serrer les vis.
- Monter le coussin d'appui – voir « Assemblage ».

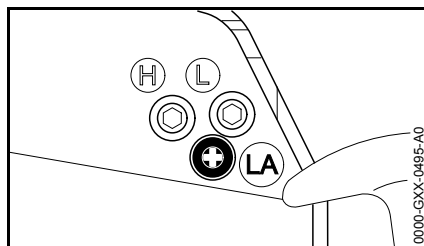
Gestion moteur

La régulation des émissions de nuisances à l'échappement est assurée par la définition des paramètres et la configuration des composants du moteur de base (par ex. carburation, allumage, calage de l'allumage et de la distribution),

Réglage du carburateur

Départ usine, le carburateur de la machine est ajusté de telle sorte que dans toutes les conditions de fonctionnement le moteur soit alimenté avec un mélange carburé de composition optimale.

Réglage du ralenti



Si le moteur cale au ralenti

- Faire chauffer le moteur pendant env. 3 min.
- Tourner lentement la vis de butée de réglage de régime de ralenti (LA) dans le sens des aiguilles d'une montre, jusqu'à ce que le moteur tourne rond – l'outil de forage ne doit pas être entraîné.

Si l'outil de forage est entraîné au ralenti

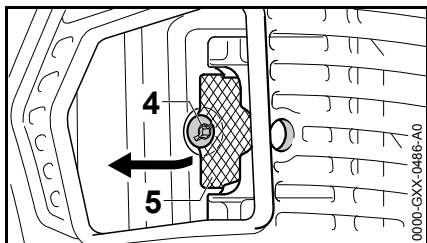
- Tourner lentement la vis de butée de réglage de régime de ralenti (LA) dans le sens inverse des aiguilles d'une montre, jusqu'à ce que l'outil de forage ne tourne plus, puis exécuter encore entre 1/2 tour et 3/4 de tour dans le même sens.

AVERTISSEMENT

Si l'outil de forage ne s'arrête pas au ralenti, malgré le réglage correct, faire réparer la machine par le revendeur spécialisé.

Grille pare-étincelles dans le silencieux

- Si la puissance du moteur baisse, contrôler la grille pare-étincelles du silencieux.
- Laisser le silencieux refroidir.

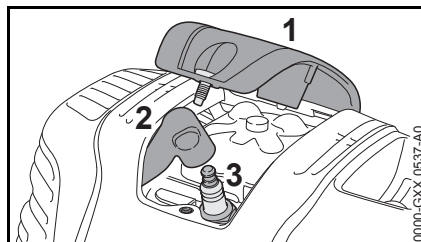


- Dévisser la vis (4).
- Soulever la grille pare-étincelles (5) et l'extraire.
- Si la grille pare-étincelles (5) du silencieux est encrassée, la nettoyer – si elle est endommagée ou fortement calaminée, la remplacer.
- Remonter la grille pare-étincelles (5).
- Visser et serrer la vis (4).

Bougie

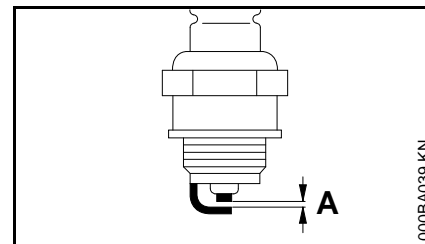
- En cas de manque de puissance du moteur, de difficultés de démarrage ou de perturbations au ralenti, contrôler tout d'abord la bougie ;
- après env. 100 heures de fonctionnement, remplacer la bougie – la remplacer plus tôt si les électrodes sont fortement usées – utiliser exclusivement les bougies antiparasitées autorisées par STIHL – voir « Caractéristiques techniques ».

Démontage de la bougie



- Dévisser le recouvrement (1).
- Enlever le contact de câble d'allumage de la bougie (2).
- Dévisser la bougie (3).

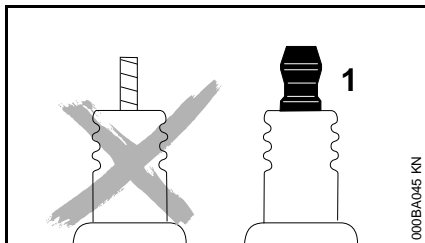
Contrôler la bougie



- Nettoyer la bougie si elle est encrassée ;
- contrôler l'écartement des électrodes (A) et le rectifier si nécessaire – pour la valeur correcte, voir « Caractéristiques techniques » ;
- éliminer les causes de l'encrassement de la bougie.

Causes possibles :

- trop d'huile moteur dans le carburant ;
- filtre à air encrassé ;
- conditions d'utilisation défavorables.



⚠ AVERTISSEMENT

Si l'écrou de connexion (1) manque ou n'est pas fermement serré, un jaillissement d'étincelles peut se produire. Si l'on travaille dans le voisinage de matières inflammables ou présentant des risques d'explosion, cela peut déclencher un incendie ou une explosion. Cela peut causer des dégâts matériels et des personnes risquent d'être grièvement blessées.

- Utiliser des bougies antiparasitées avec écrou de connexion fixe.

Montage de la bougie

- Visser la bougie (3).
- Serrer la bougie (3) avec la clé multiple.
- Emboîter fermement le contact de câble d'allumage (2) sur la bougie.
- Monter le recouvrement (1) et le visser fermement.

Fonctionnement du moteur

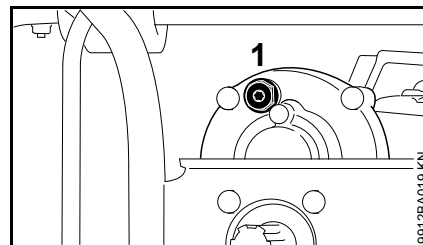
Si, après la maintenance du filtre à air et le réglage correct du carburateur et du câble de commande des gaz, le fonctionnement du moteur n'est pas satisfaisant, ce défaut peut aussi provenir du silencieux d'échappement.

Demander au revendeur spécialisé de contrôler si le silencieux n'est pas encrassé (calaminé) !

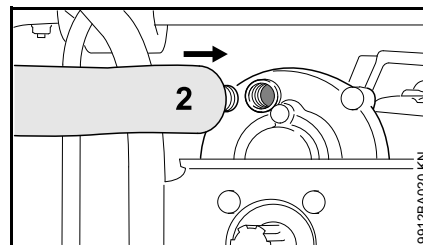
STIHL recommande de faire effectuer les opérations de maintenance et les réparations exclusivement chez le revendeur spécialisé STIHL.

Graissage du réducteur

Contrôler la charge de graisse du réducteur toutes les 50 heures de fonctionnement et, si nécessaire, faire l'appoint de graisse :



- Dévisser le bouchon fileté (1).



- Si aucune graisse n'est visible sur la face intérieure du bouchon fileté (1) : visser le tube (2) de graisse à réducteur STIHL (accessoire optionnel).
- Injecter env. 5 - 10 g (1/5 - 2/5 oz) de graisse du tube (2) dans le réducteur.



Ne pas remplir complètement le réducteur avec de la graisse à réducteur.

- Dévisser le tube (2).
- Visser et serrer le bouchon fileté (1).

Rangement

Pour un arrêt de travail de 3 mois ou plus

- Enlever l'outil de forage.
- Vider et nettoyer le réservoir à carburant à un endroit bien aéré.
- Éliminer le carburant conformément à la législation et aux prescriptions pour la protection de l'environnement.
- Mettre le moteur en marche et le laisser tourner jusqu'à ce que le carburateur soit vide, sinon les membranes du carburateur risqueraient de se coller.
- Nettoyer soigneusement la machine.
- Conserver la machine à un endroit sec et sûr. La ranger de telle sorte qu'elle ne puisse pas être utilisée sans autorisation (par ex. par des enfants).

Instructions pour la maintenance et l'entretien

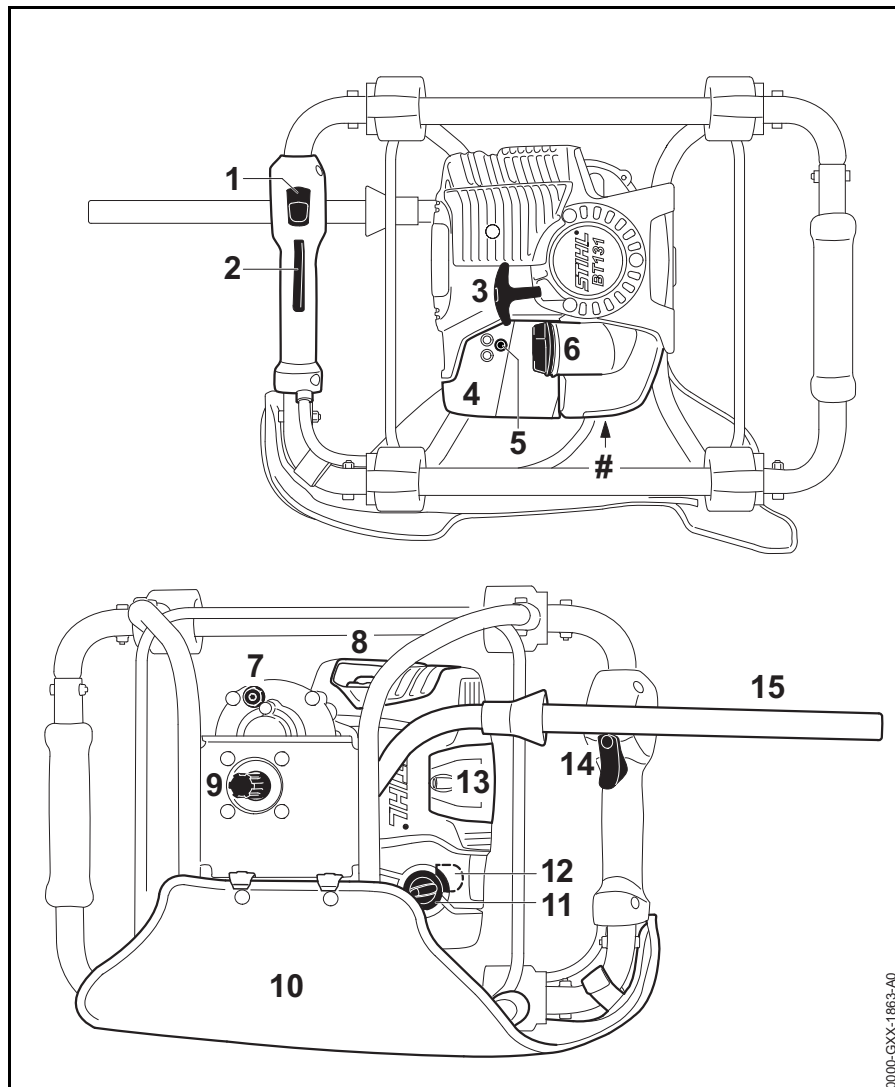
Les indications se rapportent à des conditions d'utilisation normales. Pour des conditions plus difficiles (ambiance très poussiéreuse etc.) et des journées de travail plus longues, il faut réduire, en conséquence, les intervalles indiqués.		avant de commencer le travail	après le travail ou tous les jours	après chaque ravitaillement	une fois par semaine	une fois par mois	une fois par an	en cas de défaut	en cas d'endommagement	au besoin
Machine entière	Contrôle visuel (état, étanchéité)	X		X						
	Nettoyage		X							
	Remplacement des pièces endommagées	X							X	
Frein de mèche	Contrôle du fonctionnement	X		X						
	Maintenance par le revendeur spécialisé ¹⁾									X
Poignée de commande	Contrôle du fonctionnement	X		X						
Filtre à air	Contrôle visuel					X		X		
	Remplacement ²⁾								X	X
Pompe d'amorçage manuelle (si la machine en est équipée)	Contrôle	X								
	Réparation par le revendeur spécialisé ¹⁾								X	
Crépine d'aspiration dans le réservoir à carburant	Contrôle par le revendeur spécialisé ¹⁾							X		
	Remplacement par le revendeur spécialisé ¹⁾						X		X	X
Réservoir à carburant	Nettoyage							X		X
Carburateur	Contrôle du ralenti, la broche de forage ne doit pas être entraînée	X		X						
	Réglage du ralenti									X
Bougie	Réglage de l'écartement des électrodes							X		
	Remplacement toutes les 100 heures de fonctionnement									
Orifices d'aspiration d'air de refroidissement	Contrôle visuel		X							
	Nettoyage									X
Ailettes de refroidissement du cylindre	Nettoyage par le revendeur spécialisé ¹⁾						X			

Les indications se rapportent à des conditions d'utilisation normales. Pour des conditions plus difficiles (ambiance très poussiéreuse etc.) et des journées de travail plus longues, il faut réduire, en conséquence, les intervalles indiqués.		avant de commencer le travail	après le travail ou tous les jours	après chaque ravitaillement	une fois par semaine	une fois par mois	une fois par an	en cas de défaut	en cas d'endommagement	au besoin
Jeu aux soupapes	En cas de manque de puissance ou si l'effort nécessaire au lancement augmente fortement, faire contrôler, et régler si nécessaire, le jeu aux soupapes par le revendeur spécialisé ¹⁾									X
Grille pare-étincelles dans le silencieux	Contrôle		X					X		
	Nettoyage ou remplacement								X	X
Vis et écrous accessibles (sauf vis de réglage)	Resserrage									X
Éléments antivibratoires	Contrôle	X						X		X
	Remplacement par le revendeur spécialisé ¹⁾								X	
Lubrification du réducteur	Contrôle				X					
	Appoint									X
Broche de forage	Nettoyage		X							
Outil de forage	Contrôle	X								
	Remplacement								X	X
Étiquettes de sécurité	Remplacement								X	

¹⁾ STIHL recommande de s'adresser au revendeur spécialisé STIHL

²⁾ Seulement si la puissance du moteur baisse sensiblement

Principales pièces



- 1 Bouton d'arrêt
 - 2 Blocage de gâchette d'accélérateur
 - 3 Poignée de lancement
 - 4 Couvercle du filtre à air
 - 5 Vis de réglage du carburateur
 - 6 Bouchon du réservoir à carburant
 - 7 Bouchon fileté
 - 8 Silencieux avec grille pare-étincelles
 - 9 Broche de forage
 - 10 Coussin d'appui
 - 11 Bouton du volet de starter
 - 12 Pompe d'amorçage manuelle
 - 13 Recouvrement de la bougie
 - 14 Gâchette d'accélérateur
 - 15 Levier de déclenchement du frein de mèche
- # Numéro de série

0000-GXX-1863-A0

Définitions

- 1 Bouton d'arrêt**
Le commutateur coupe le circuit du système d'allumage du moteur et arrête le moteur.
- 2 Blocage de gâchette d'accélérateur**
Il faut l'enfoncer pour pouvoir actionner la gâchette d'accélérateur.
- 3 Poignée de lancement**
La poignée du dispositif de lancement qui sert à la mise en route du moteur.
- 4 Couvercle du filtre à air**
Recouvre et protège le filtre à air.
- 5 Vis de réglage du carburateur**
Pour le réglage du régime de ralenti.
- 6 Bouchon du réservoir à carburant**
Pour fermer le réservoir à carburant.
- 7 Bouchon fileté**
Ferme l'orifice de remplissage de graisse du réducteur.
- 8 Silencieux avec grille pare-étincelles**
Le silencieux atténue les bruits d'échappement et dirige les gaz d'échappement dans le sens opposé à l'utilisateur.
La grille pare-étincelles sert à réduire le risque d'incendie.
- 9 Broche de forage**
Pour la fixation du mandrin de forage ou de l'adaptateur pour mèche.

- 10 Coussin d'appui**
Coussin d'appui du cadre de poignées sur la cuisse de l'utilisateur.
- 11 Bouton du volet de starter**
Facilite le démarrage du moteur par un enrichissement du mélange carburé.
- 12 Pompe d'amorçage manuelle**
Assure une alimentation en carburant supplémentaire pour le démarrage à froid.
- 13 Recouvrement de la bougie**
Recouvre et protège la bougie.
- 14 Gâchette d'accélérateur**
Contrôle le régime du moteur.
- 15 Levier de déclenchement du frein de mèche**
Levier pour le déclenchement et le déblocage du frein de mèche.

Caractéristiques techniques

EPA / CEPA

L'étiquette d'homologation relative aux émissions de nuisances à l'échappement indique le nombre d'heures de fonctionnement durant lequel ce moteur satisfait aux exigences des normes antipollution fédérales.

Catégorie

A = 300 heures

B = 125 heures

C = 50 heures

Moteur

Moteur STIHL monocylindrique à quatre temps lubrifié par le mélange

Cylindrée : 36,3 cm³

Alésage du cylindre : 43 mm

Course du piston : 25 mm

Puissance suivant ISO 8893 : 1,4 kW à 8500 tr/min

Régime de ralenti : 2800 tr/min

Limitation de régime : 9500 tr/min

Jeu aux soupapes

Soupape d'admission : 0,10 mm

Soupape d'échappement : 0,10 mm

Dispositif d'allumage

Volant magnétique à commande électronique

Bougie
(antiparasitée) : NGK CMR 6H

Écartement des
électrodes : 0,5 mm

Ce système d'allumage respecte toutes les exigences du règlement sur le matériel blindé du Canada CAN ICES-2/NMB-2 (dispositions relatives à l'antiparasitage).

Système d'alimentation

Carburateur à membrane toutes positions avec pompe à carburant intégrée

Capacité du réservoir
à carburant : 710 cm³ (0,71 l)

Réducteur de forage

Réducteur à pignons droits, à 2 étages

Démultiplication : 47,5:1

Régime max. de la
broche : 200 tr/min

Couple max. de la bro-
che de forage : 81 Nm

Lubrification : Graisse à
réducteur
STIHL pour
débroussail-
leuses

Poids

Réservoir vide, sans
outil de forage : 10 kg

Dimensions

Longueur avec cadre : 400 mm

Largeur avec cadre : 530 mm

Hauteur, sans outil de
forage : 365 mm

Caractéristiques d'équipement

Z Équipement pare-étincelles


Instructions pour les réparations

L'utilisateur de ce dispositif est autorisé à effectuer uniquement les opérations de maintenance et les réparations décrites dans la présente Notice d'emploi. Les réparations plus poussées ne doivent être effectuées que par le revendeur spécialisé.

STIHL recommande de faire effectuer les opérations de maintenance et les réparations exclusivement chez le revendeur spécialisé STIHL. Les revendeurs spécialisés STIHL participent régulièrement à des stages de perfectionnement et ont à leur disposition les informations techniques requises.

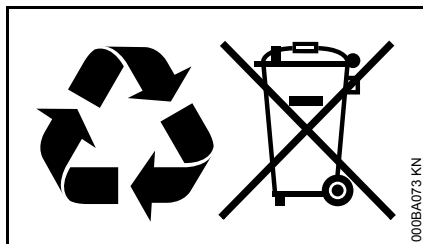
Pour les réparations, monter exclusivement des pièces de rechange autorisées par STIHL pour ce dispositif ou des pièces similaires du point de vue technique. Utiliser exclusivement des pièces de rechange de haute qualité. Sinon, des accidents pourraient survenir et le dispositif risquerait d'être endommagé.

STIHL recommande d'utiliser des pièces de rechange d'origine STIHL.

Les pièces de rechange d'origine STIHL sont reconnaissables à leur référence de pièce de rechange STIHL, au nom **STIHL** et, le cas échéant, au symbole d'identification des pièces de rechange STIHL  (les petites pièces ne portent parfois que ce symbole).

Mise au rebut

Pour l'élimination des déchets, respecter les prescriptions nationales spécifiques.



Les produits STIHL ne doivent pas être jetés à la poubelle. Le produit STIHL, la batterie, les accessoires et leur emballage doivent être mis au recyclage.

Consulter le revendeur spécialisé STIHL pour obtenir les informations d'actualité concernant l'élimination écoresponsable des déchets.

Garantie de la Société STIHL Limited relative au système antipollution

Cette déclaration est fournie volontairement et elle se base sur l'accord conclu en avril 1999 entre l'Office de l'Environnement du Canada et STIHL Limited.

Vos droits et obligations dans le cadre de la garantie

STIHL Limited expose ici la garantie relative au système antipollution du moteur de votre type de moteur. Au Canada, sur le plan construction et équipement, les moteurs neufs de petits dispositifs à moteur non-routiers, du millésime 1999 ou d'un millésime ultérieur, doivent, au moment de la vente, être conformes aux dispositions U.S. EPA pour petits moteurs qui ne sont pas destinés à des véhicules routiers. Le moteur du dispositif doit être exempt de vices de matériaux et de fabrication qui entraîneraient une non-conformité avec les dispositions U.S. EPA au cours des deux premières années de service du moteur, à dater de la vente au consommateur final.

Pour la période ci-dessus, STIHL Limited doit assumer la garantie sur le système antipollution du moteur de votre petit dispositif non-routier, à condition que votre moteur n'ait pas été utilisé de façon inadéquate et que sa maintenance n'ait pas été négligée ou incorrectement effectuée.

Votre système antipollution peut comprendre aussi des pièces telles que le carburateur ou le système d'injection de carburant, l'allumage et le catalyseur. Il peut aussi englober des flexibles,

courroies, raccords et autres composants influant sur les émissions de nuisances.

Dans un cas de garantie, STIHL Limited devra réparer le moteur de votre dispositif non-routier et ce, gratuitement pour vous. La garantie englobe le diagnostic (s'il est exécuté par un revendeur autorisé) ainsi que les pièces et la main-d'œuvre.

Durée de la garantie du fabricant

Au Canada, les moteurs de petits dispositifs à moteur non-routiers, du millésime 1999 ou d'un millésime ultérieur, bénéficient d'une garantie de deux ans. Si une pièce du système antipollution du moteur de votre dispositif s'avère défectueuse, elle est réparée ou remplacée gratuitement par STIHL Limited.

Obligations du propriétaire :

En tant que propriétaire du moteur du petit dispositif à moteur non-routier, vous êtes responsable de l'exécution de la maintenance indispensable prescrite dans la notice d'emploi de votre dispositif. STIHL Limited recommande de conserver toutes les quittances des opérations de maintenance exécutées sur le moteur de votre dispositif non-routier. STIHL Limited ne peut toutefois pas vous refuser une garantie sur votre moteur pour la seule raison que des quittances manqueraient ou que vous auriez négligé d'assurer l'exécution de toutes les opérations de maintenance prévues.

Pour la maintenance ou les réparations qui ne sont pas effectuées sous garantie, il est permis d'employer des pièces de rechange ou des méthodes de

travail assurant une exécution et une longévité équivalant à celles de l'équipement de première monte et ce, sans que cela réduise, pour le fabricant du moteur, l'obligation de fournir une garantie.

En tant que propriétaire du petit dispositif à moteur non-routier, vous devez toutefois savoir que STIHL Limited peut vous refuser la garantie si le moteur ou une partie du moteur de votre dispositif tombe en panne par suite d'une utilisation inadéquate, d'un manque de précaution, d'une maintenance incorrecte ou de modifications non autorisées.

Vous êtes tenu d'amener le moteur de votre petit dispositif à moteur non-routier à un centre de Service Après-Vente STIHL dès qu'un problème survient. Les travaux sous garantie seront exécutés dans un délai raisonnable qui ne devra pas dépasser 30 jours.

Si vous avez des questions concernant vos droits et obligations dans le cadre de la garantie, veuillez consulter un conseiller du Service Après-Vente STIHL (www.stihl.ca)

ou écrire à :

STIHL Ltd.,
1515 Sise Road
Box 5666
CA-LONDON ONTARIO ; N6A 4L6

Étendue de la garantie fournie par STIHL Limited

STIHL Limited garantit à l'acheteur final, et à tout acquéreur ultérieur, que le moteur de votre petit dispositif non-routier satisfait à toutes les prescriptions en vigueur au moment de la vente, sur le plan construction, fabrication et

équipement. STIHL Limited garantit en outre au premier acquéreur et à tous les acquéreurs ultérieurs, pour une période de deux ans, que votre moteur est exempt de tout vice de matériaux et de tout vice de fabrication entraînant une non-conformité avec les prescriptions en vigueur.

Période de garantie

La période de garantie commence le jour où le premier acheteur fait l'acquisition du moteur du dispositif et où vous avez retourné à STIHL Ltd. la carte de garantie portant votre signature. Si une pièce faisant partie du système antipollution de votre dispositif est défectueuse, la pièce est remplacée gratuitement par STIHL Limited. Durant la période de garantie, une garantie est fournie pour toute pièce sous garantie qui ne doit pas être remplacée à l'occasion d'une opération de maintenance prescrite ou pour laquelle « la réparation ou le remplacement, si nécessaire » n'est prévu qu'à l'occasion de l'inspection périodique. Pour toute pièce sous garantie qui doit être remplacée dans le cadre d'une opération de maintenance prescrite, la garantie est fournie pour la période qui précède le premier remplacement prévu.

Diagnostic

Les coûts occasionnés pour le diagnostic ne sont pas facturés au propriétaire, si ce diagnostic confirme qu'une pièce sous garantie est défectueuse. Si, par contre, vous revendiquez un droit à la garantie pour une pièce et qu'une défectuosité n'est pas constatée au diagnostic, STIHL Limited vous facturera les coûts du test

des émissions de nuisances. Le diagnostic de la partie mécanique doit être exécuté par un revendeur spécialisé STIHL. Le test des émissions de nuisances peut être exécuté soit par

STIHL Incorporated,
536 Viking Drive, P.O. Box 2015,
Virginia Beach, VA 23452,

soit par un laboratoire indépendant.

Travaux sous garantie

STIHL Limited doit faire éliminer les défauts sous garantie par un revendeur spécialisé STIHL ou par une station de garantie. Tous les travaux seront effectués sans facturation au propriétaire, si l'on constate qu'une pièce sous garantie est effectivement défectueuse. Toute pièce autorisée par le fabricant ou pièce de rechange équivalente peut être utilisée pour toute opération de maintenance ou réparation sous garantie touchant une pièce du système antipollution et elle doit être mise gratuitement à la disposition du propriétaire, si la pièce en question est encore sous garantie. STIHL Limited assume la responsabilité de dommages causés à d'autres composants du moteur par la pièce encore couverte par la garantie.

La liste suivante précise les pièces couvertes par la garantie antipollution :

- Filtre à air
- Carburateur (le cas échéant)
- Pompe d'amorçage manuelle
- Starter (système d'enrichissement de démarrage à froid) (le cas échéant)
- Tringleries de commande

- Coude d'admission
- Volant magnétique ou allumage électronique (module d'allumage ou boîtier électronique)
- Rotor
- Bougie
- Injecteur (le cas échéant)
- Pompe d'injection (le cas échéant)
- Boîtier de papillon (le cas échéant)
- Cylindre
- Silencieux
- Catalyseur (le cas échéant)
- Réservoir à carburant
- Bouchon du réservoir à carburant
- Conduit de carburant
- Raccords du conduit de carburant
- Colliers
- Pièces de fixation

Pour faire valoir un droit à la garantie

Présenter le dispositif à un revendeur spécialisé STIHL, avec la carte de garantie signée.

Prescriptions de maintenance

Les prescriptions de maintenance qui figurent dans la présente Notice d'emploi présument que l'on utilise le mélange d'essence et d'huile prescrit pour moteur deux-temps (voir aussi chapitre « Carburant »). En cas d'utilisation de carburants et d'huiles d'autre qualité ou d'un taux de mélange différent, il peut être nécessaire de raccourcir les intervalles de maintenance.

Restrictions

Cette garantie sur le système antipollution ne couvre pas :

1. les réparations et remplacements nécessaires par suite d'une utilisation inadéquate ou bien d'une négligence ou de l'omission des opérations de maintenance indispensables ;
2. les réparations exécutées incorrectement ou les remplacements effectués avec des pièces non conformes aux spécifications de STIHL Limited et ayant un effet défavorable sur le rendement et/ou la longévité, et les transformations ou modifications que STIHL Limited n'a ni recommandées, ni autorisées par écrit ;
3. le remplacement de pièces et d'autres prestations de services et réglages qui s'avèrent nécessaires dans le cadre des travaux de maintenance indispensables, à l'échéance du premier remplacement prévu, et par la suite.

0458-529-8221-A

CDN



www.stihl.com



0458-529-8221-A