

FS 40, 50

**STIHL**



2 - 25

Instruction Manual



# Contents

1	Guide to Using this Manual.....	2
2	Safety Precautions and Working Techniques.....	2
3	Approved Combinations of Cutting Attachment, Deflector, Handle and Harness.....	8
4	Mounting the Loop Handle.....	8
5	Mounting the Deflector.....	9
6	Mounting the Cutting Attachment.....	9
7	Fuel.....	11
8	Fueling.....	12
9	Starting / Stopping the Engine.....	13
10	Operating Instructions.....	15
11	Cleaning the Air Filter.....	15
12	Adjusting the Carburetor.....	16
13	Spark Plug.....	16
14	Engine Running Behavior.....	17
15	Storing the Machine.....	17
16	Maintaining the Mowing Head.....	17
17	Maintenance and Care.....	20
18	Minimize Wear and Avoid Damage.....	21
19	Main Parts.....	22
20	Specifications.....	22
21	Maintenance and Repairs.....	23
22	Disposal.....	23
23	EC Declaration of Conformity.....	23
24	UKCA Declaration of Conformity.....	24
25	Addresses.....	25

## 1 Guide to Using this Manual

### 1.1 Pictograms

The meanings of the pictograms attached to the machine are explained in this manual.

Depending on the model concerned, the following pictograms may be attached to your machine.



Fuel tank; fuel mixture of gasoline and engine oil



Operate decompression valve



Manual fuel pump



Operate manual fuel pump



Tube of grease



Intake air: Summer operation



Intake air: Winter operation



Handle heating

### 1.2 Symbols in text

**WARNING**

Warning where there is a risk of an accident or personal injury or serious damage to property.

*NOTICE*

Caution where there is a risk of damaging the machine or its individual components.

### 1.3 Engineering improvements

STIHL's philosophy is to continually improve all of its products. For this reason we may modify the design, engineering and appearance of our products periodically.

Therefore, some changes, modifications and improvements may not be covered in this manual.

## 2 Safety Precautions and Working Techniques



Because the machine is a high-speed fast-cutting power tool, special safety precautions must be observed to reduce the risk of personal injury.



It is important that you read and understand the User Manual before commissioning and keep it in a safe place for future reference. Non-compliance with the User Manual may cause serious or even fatal injury.

Observe all applicable local safety regulations, e.g. by trade organizations, social insurance institutions, labor safety authorities etc.

If you have never used a power tool before: Have your dealer or other experienced user show you how to operate your machine – or attend a special course to learn how to operate it.

Minors should never be allowed to use the machine – except for apprentices over the age of 16 when working under supervision.

Children, animals and onlookers must not be allowed near the machine.

When not using the machine, it must be laid down in such a way that it does not endanger anyone. Ensure that the machine cannot be used without authorization.

The user is responsible for accidents or risks involving third parties or their property.

Lend or rent your power tool only together with this User Manual and only to persons who are familiar with this model and its operation.

The use of noise-emitting power tools may be restricted to certain times by national or local regulations.

Anyone operating the machine must be well rested, in good physical health and in good mental condition. If you have any condition that might be aggravated by strenuous work, check with your doctor before operating a machine.

If you have a pacemaker: The ignition system of your machine produces an electromagnetic field of very low intensity. This field may interfere with some pacemakers. STIHL recommends that persons with pacemakers consult their physician and the pacemaker manufacturer to reduce any health risk.

Anyone who has consumed alcohol or drugs or medicines affecting their ability to react must not operate a power tool.

Depending on the cutting attachment fitted, use your tool only for cutting grass, undergrowth and similar materials.

Other uses are not permitted and may lead to accidents or damage to the machine. Never attempt to modify your power tool in any way since this may result in accidents or damage to the machine.

Only use cutting attachments and accessories that are explicitly approved for this power tool model by STIHL or are technically identical. If you have any questions in this respect, consult your dealer. Use only high-quality parts and accessories. In order to avoid the risk of accidents and damage to the machine.

STIHL recommends the use of genuine STIHL tools and accessories. They are specifically designed to match the product and meet your performance requirements.

The guard provided with your machine may not protect the operator from all foreign objects (gravel, glass, wire etc.) ejected by the revolving

cutting attachment. Ejected objects may also ricochet and strike the operator.

## 2.1 Clothing and equipment

Wear proper protective clothing and equipment.



Clothing must be robust but allow complete freedom of movement. Wear close-fitting clothes such as a boiler suit, not a loose jacket.

Do not wear clothing which could become trapped in wood, brush or moving parts of the machine. Do not wear a scarf, necktie or jewelry. Tie up and confine long hair above your shoulders.



Wear sturdy shoes with non-slip soles.



### WARNING



To reduce the risk of eye injuries, wear close-fitting safety glasses in accordance with European Standard EN 166. Make sure the safety glasses are a snug fit.

Wear face protection and make sure it is a good fit. Face protection alone is not sufficient to protect the eyes.

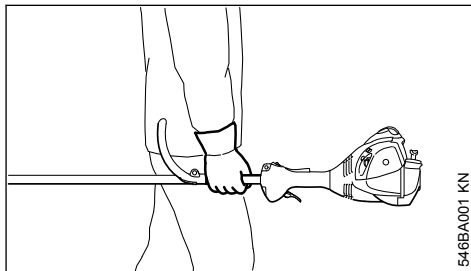
Wear "personal" sound protection, e.g. ear defenders.



Wear sturdy protective gloves made of a resistant material (e.g. leather).

STIHL can supply a comprehensive range of personal protective equipment.

## 2.2 Transporting the machine



Always stop the engine.

Carry the unit properly balanced by the shaft or loop handle.

By vehicle: When transporting in a vehicle, properly secure your machine to prevent turnover, damage and fuel spillage.

## 2.3 Refueling



**Gasoline is highly flammable** – keep away from fire or flame – do not spill any fuel – no smoking.

Always shut off the engine before refueling.

Do not fuel a hot engine – **fuel may spill and cause a fire.**

Open the fuel cap carefully to allow any pressure build-up in the tank to release slowly and avoid fuel spillage.

Only refuel the machine in a well ventilated place. If fuel has been spilled, immediately clean the machine – do not allow your clothes to be splashed with fuel. If that happens, change your clothes at once.





After refueling, close the fuel cap as tightly as possible.

This helps reduce the risk of unit vibrations causing an incorrectly tightened fuel cap to loosen or come off and spill quantities of fuel.

Check for leaks. Do not start the engine if there is a fuel leak – **serious or fatal burns could result!**

## 2.4 Before starting

Check that your power tool is properly assembled and in good condition – refer to appropriate chapters in the User Manual.

- Check the fuel system for leaks, especially the visible parts, e. g., fuel cap, hose connections, manual fuel pump (only in machines with a manual fuel pump). In case of leakage and damage, do not start the engine – **risk of fire!** Have the machine serviced by a dealer before using it
- Use only an approved combination of cutting attachment, deflector, handle and harness. All parts must be assembled properly and securely. To reduce the risk of injury, **never** use metal cutting attachments!
- The stop switch must move easily to **0**.
- Check the choke lever, throttle trigger and throttle trigger lockout for smooth action - throttle trigger must return automatically to idle position. The choke lever must spring back from the  and  positions to the run posi-

tion **I** when the throttle trigger lockout and throttle trigger are squeezed.

- Check that the spark plug boot is secure – a loose boot may cause sparking that could ignite combustible fumes **and cause a fire!**
- Check cutting attachment for correct and secure assembly and good condition
- Check safety devices (e. g., deflector for cutting attachments) for damage and/or wear. Always replace damaged parts. Never operate the unit with a damaged deflector
- Never attempt to modify the controls or safety devices.
- Keep the handles dry and clean – free from oil and dirt – this is important for safe control of the machine
- Adjust the harness and handle(s) to suit your height and reach

**To reduce the risk of personal injury**, do not operate your power tool if it is damaged or not properly assembled!

To prepare for emergencies when using a harness: Practice setting down the machine quickly. To avoid damage, do not throw the machine to the ground when practicing.

## 2.5 Starting the engine

Start the engine at least 3 meters from the fueling spot, outdoors only.

Place the unit on firm ground in an open area. Make sure you have a stable and secure footing. Hold the unit securely. The cutting attachment must be clear of the ground and all other obstructions because it may begin to run when the engine starts.

Your power tool is a one-person unit. **To reduce the risk of injury** from ejected objects, do not allow other persons within a radius of 15 meters of your own position – even when starting.



Avoid contact with the cutting attachment – **risk of injury!**

Do not drop-start the engine – start it as described in the User Manual.



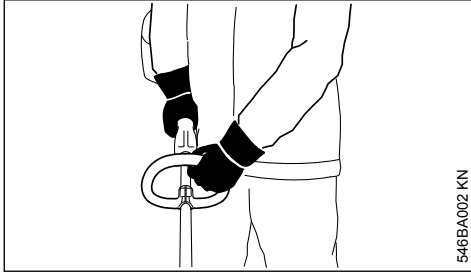
The cutting attachment runs on for a short while after releasing the throttle trigger – **coasting effect!**

Check engine idling: The cutting attachment must remain at a standstill when the engine idles – throttle trigger released.

To **reduce the risk of fire**, keep hot exhaust gases and hot muffler away from easily combustible materials (e.g. wood chips, bark, dry grass, fuel).

## 2.6 Holding and guiding the machine

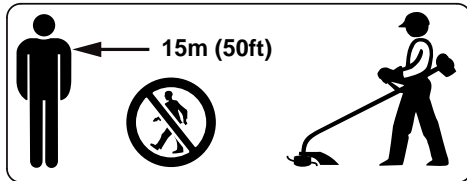
Always hold the unit firmly with both hands on the handles. Make sure you always have a firm and secure footing.



Left hand on loop handle, right hand on control handle, even if you are left-handed.

## 2.7 While working

In the event of impending danger or in an emergency, switch off the engine immediately – move the stop switch in the direction of 0.



There is a risk of accident from ejected objects within a wide area around the working space, so you must ensure that there is no-one within a 15 m radius of the machine. This distance must also be maintained in relation to objects (vehicles, window panes) – **risk of property damage!** Even at distances beyond 15 m, the danger cannot be ruled out.

Check that the engine is properly idling so that the cutting tool will not continue rotating after you release the throttle trigger.

Check and correct the idle speed setting at regular intervals. If the cutting attachment still rotates at idle speed, have your dealer make proper adjustments or repairs. STIHL recommends you have this work done by a STIHL servicing dealer.

Take special care in slippery conditions – **damp, snow, ice**, on slopes or uneven ground.

Watch out for obstacles: tree stumps, roots – **risk of tripping or stumbling!**

Make sure you always have a firm and secure footing.

Only work while standing on the ground, never on a ladder, work platform or other unstable surface.

More care and attention than usual are required when wearing ear protection, as sounds warning you of impending danger (shouts, beeps, etc.) cannot be heard properly.

Take breaks when you start getting tired or feeling fatigue – **risk of accidents!**

Work calmly and carefully – in daylight conditions and only when visibility is good. Proceed with caution, do not put others in danger.



As soon as the engine is running, the power machine generates toxic exhaust gas. As soon as the engine is running, the power machine generates toxic exhaust gas. These gases may be odorless and invisible and may contain unburned hydrocarbons and benzene. Never run the engine indoors or in poorly ventilated locations, even if your model is equipped with a catalytic converter.

To reduce the risk of **serious or fatal injury from breathing toxic fumes**, ensure proper ventilation when working in trenches, hollows or other confined locations.

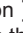
Stop work immediately if you start suffering from nausea, headaches, impaired vision (e.g. your field of vision gets smaller), impaired hearing, dizziness, or impaired concentration – these symptoms may possibly be the result of too-high exhaust gas concentration – **Risk of accidents!**

Operate your power tool so that it produces a minimum of noise and emissions – do not run the engine unnecessarily, accelerate the engine only when working.

To **reduce the risk of fire, do not smoke** while operating or standing near your power tool. Note that combustible fuel vapor may escape from the fuel system.

Dusts, mist and fumes emissions during the work may be hazardous to your health. Wear respiratory protection in case of heavy dust or smoke emission.

If your power tool is subjected to unusually high loads for which it was not designed (e.g. heavy impact or a fall), always check that it is in good condition before continuing work – see also "Before Starting". Check in particular that the fuel system has no leaks and the safety equipment is fully operative. Never use a power tool that is no longer safe to operate. In case of doubt, contact a dealer.

Do not operate your power tool with the choke lever in the warm start position  – the engine speed cannot be controlled in this position.



Never work without protection suitable for the respective machine and cutting tool – **risk of injury** from ejected objects!



Check the work site – rocks, metal objects etc. could get caught up and ejected – potentially beyond a distance of 15 m – **risk of injury!** Such objects can also damage the cutting attachment and other property (e.g. parked vehicles, windows).



Be particularly careful when working on difficult, densely grown terrain.

When mowing in tall scrub, under shrubbery and hedges: Hold the cutting tool at a working height of at least 15 cm – this avoids risks to animals.

Always shut off the engine before leaving the unit unattended.

Check the cutting tool regularly at frequent intervals, and immediately if you notice a change in its behavior:

- Stop the engine, hold the machine securely, allow the cutting attachment to come to a stop
- Check condition and tightness of connections, look out for fine cracks
- Immediately replace defective cutting tools, also in case of minor hairline cracks

Clean grass and plant residue off the cutting attachment mounting at regular intervals – remove any accumulated material from the cutting attachment and deflector.

To **reduce the risk of injury**, shut off the engine before replacing the cutting attachment.

Do not continue using or attempt to repair damaged or cracked cutting attachments by means of welding, straightening or modifying the shape (unbalanced).

Particles or pieces may come off and hit the operator or a bystander at a high speed – **risk of most severe injuries!**

If a rotating cutting attachment touches a rock or another hard object, sparks may be generated which may possibly ignite combustible materials. Also dried-out plants and brushwood are combustible, above all in hot and dry weather. If there is a risk of fire, do not use cutting attachments in the vicinity of combustible materials, dried-out plants or brushwood. It is mandatory that you ask the responsible forestry office about current fire hazards.

### 2.7.1 Using mowing heads

Only use the deflector with a properly mounted blade that ensures the mowing line is restricted to the permissible length.

Always switch off the engine to adjust the mowing line for manually adjustable mowing heads – **risk of injury!**

Misuse with mowing lines that are too long reduces the working speed of the engine. The constant slipping of the clutch causes overheating and damage to important components (e.g. clutch, plastic housing parts) – e.g. due to the cutting attachment rotating during idling – **risk of injury!**

## 2.8 Vibrations

Prolonged use of the power tool may result in vibration-induced circulation problems in the hands (whitefinger disease).

No general recommendation can be given for the length of usage because it depends on several factors.

The period of usage is prolonged by:

- Hand protection (wearing warm gloves)
- Work breaks

The period of usage is shortened by:

- Any personal tendency to suffer from poor circulation (symptoms: frequently cold fingers, tingling sensations).
- Low outside temperatures.
- The force with which the handles are held (a tight grip restricts circulation).

Continual and regular users should monitor closely the condition of their hands and fingers. If any of the above symptoms appear (e.g. tingling sensation in fingers), seek medical advice.

## 2.9 Maintenance and Repairs

Service the machine regularly. Do not attempt any maintenance or repair work not described in

the instruction manual. Have all other work performed by a servicing dealer.

STIHL recommends that you have servicing and repair work carried out exclusively by an authorized STIHL servicing dealer. STIHL dealers are regularly given the opportunity to attend training courses and are supplied with the necessary technical information.

Only use high-quality replacement parts in order to avoid the risk of accidents and damage to the machine. If you have any questions in this respect, consult a servicing dealer.

STIHL recommends the use of genuine STIHL replacement parts. These parts are specifically designed to match your machine model and meet your performance requirements.

To reduce the **risk of injury** from unintentional engine startup, **always shut off the engine and disconnect the spark plug boot** before performing any repairs, maintenance or cleaning work. – Exception: Carburetor and idle speed adjustments.

Do not turn the engine over on the starter with the spark plug boot or spark plug removed since there is otherwise a **risk of fire** from uncontained sparking.

To reduce the **risk of fire**, do not service or store your machine near open flames.

Check the fuel filler cap for leaks at regular intervals.

Use only a spark plug of the type approved by STIHL and make sure it is in good condition – see "Specifications".

Inspect the ignition lead (insulation in good condition, secure connection).

Check the condition of the muffler.

To reduce the **risk of fire and damage to hearing**, do not operate your machine if the muffler is damaged or missing.

Do not touch a hot muffler since **burn injury** will result.

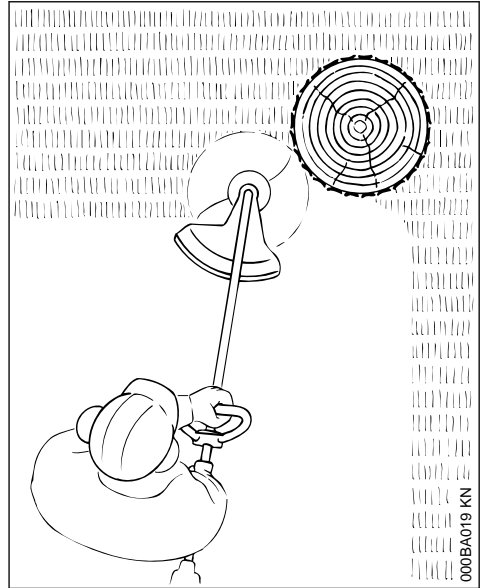
## 2.10 Symbols on Deflectors

An arrow on the deflector shows the correct direction of rotation of the cutting attachments.

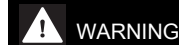


Use deflector in combination with mowing heads only. Do not use metal cutting attachments.

## 2.11 Mowing Head with Nylon Lines



Nylon line achieves a soft cut for edging and trimming around fence posts, trees, etc. – less risk of damaging tree bark.

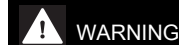


To reduce the **risk of injury**, **never** use steel wire in place of the nylon cutting line.

## 2.12 STIHL Polycut Mowing Head with Plastic Blades

For mowing unobstructed edges of meadows (without posts, fences, trees or similar obstacles).

Make sure to pay attention to the safety warnings, maintenance information and wear marks in the User Manual of the mowing head.

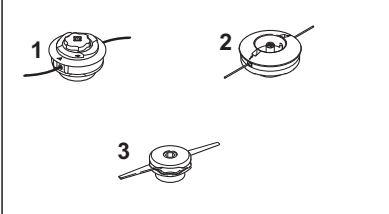
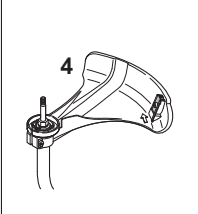

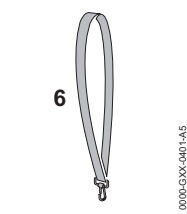


If the wear limit marks are ignored, there is a risk of the cutting tool shattering and flying parts injuring the operator or bystanders.

To reduce the risk of accidents from shattered blades, avoid contact with stones, metal and similar solid objects.

Check PolyCut blades for cracks at regular intervals. If a crack is found in one of the blades, always replace **all** the blades.

### 3 Approved Combinations of Cutting Attachment, Deflector, Handle and Harness

Cutting attachment	Deflector	Handle	Carrying strap
			

#### 3.1 Permissible combinations

Choose the correct combination from the table depending on the cutting tool!



**WARNING**

For safety reasons, no other combinations are permitted – **risk of accidents!**

#### 3.2 Cutting attachments

##### 3.2.1 Mowing heads

- 1 STIHL AutoCut C 6-2
- 2 STIHL DuroCut 5-2
- 3 STIHL PolyCut 6-2

#### 3.3 Deflector

##### 4 Guard with blade for mowing heads

#### 3.4 Handle

##### 5 Loop handle

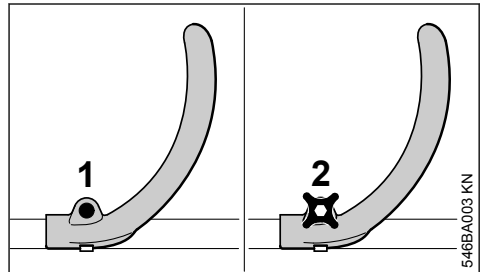
#### 3.5 Carrying strap

##### 6 Shoulder strap can be used

### 4 Mounting the Loop Handle

Your new power tool comes with the loop handle mounted on the drive tube, but it must be turned and lined up to suit your requirements.

#### 4.1 Adjusting the loop handle



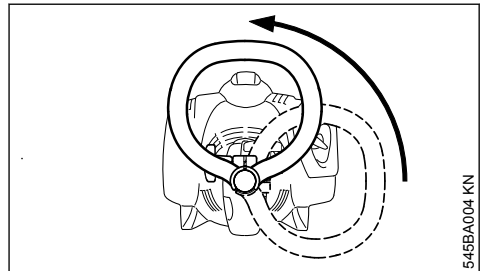
##### 4.1.1 Versions with screw (FS 40)

- ▶ Use a screwdriver or the combination wrench to loosen the screw (1) on the handle.

##### 4.1.2 Versions with star knob (FS 50)

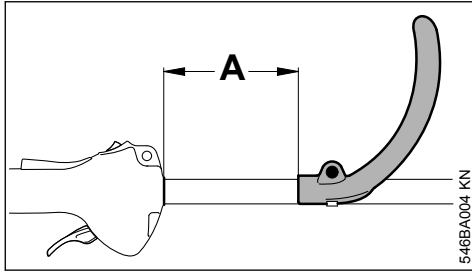
- ▶ Loosen the star knob (2) on the handle.

##### 4.1.3 All versions



- ▶ Turn the handle to the vertical position.



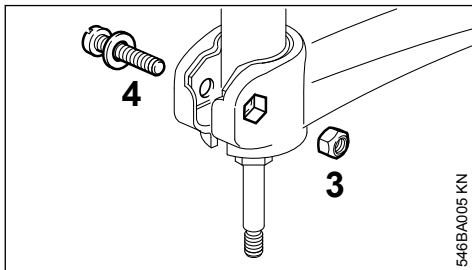
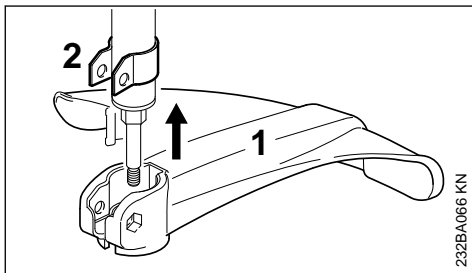


The loop handle can be adjusted to suit the height and reach of the operator and the application by changing distance (A).

Recommended distance (A): about 15 cm

- ▶ Slide the handle to the required position.
- ▶ Tighten down the screw or star knob so that the handle cannot be rotated on the drive tube.

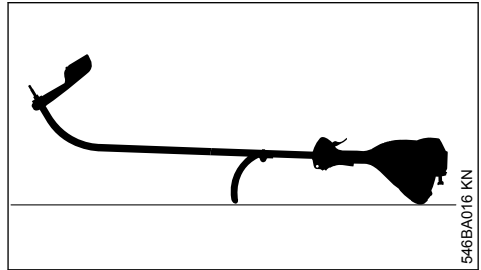
## 5 Mounting the Deflector



- ▶ Push the deflector (1) over the clamp (2) as far as stop.
- ▶ Insert the nut (3) in the hex recess in the deflector – make sure the holes line up.
- ▶ Insert the screw (4) with washer and tighten it down firmly.

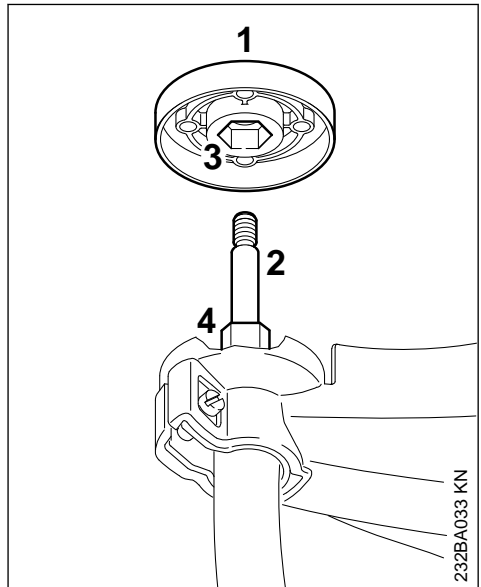
## 6 Mounting the Cutting Attachment

### 6.1 Placing power tool on the ground



- ▶ Switch off the engine.
- ▶ Lay your trimmer on its back with the loop handle and shroud pointing down and the output shaft facing up.

### 6.2 Thrust Plate



The thrust plate (1) is shipped with the DuroCut 5-2 and PolyCut 6-3. It is only required for these mowing heads.

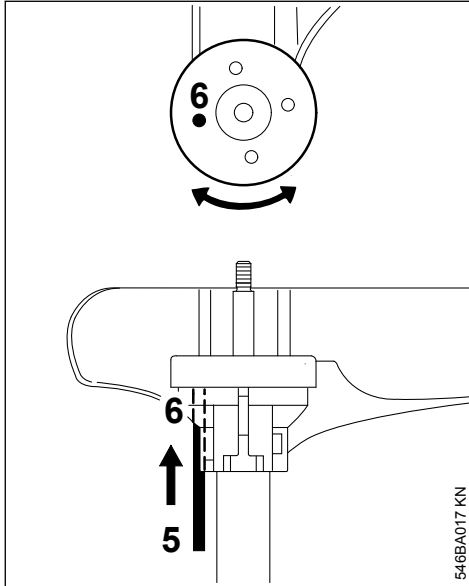
**STIHL AutoCut 5-2 mowing head, STIHL AutoCut C 5-2 mowing head**

- ▶ Pull the thrust plate (1), if fitted, off the shaft (2).

### STIHL PolyCut 5-2 mowing head, STIHL Fix-Cut 6-3 mowing head

- ▶ Slip the thrust plate (1) over the shaft (2) and engage the hex recess (3) on the external hexagon (4).

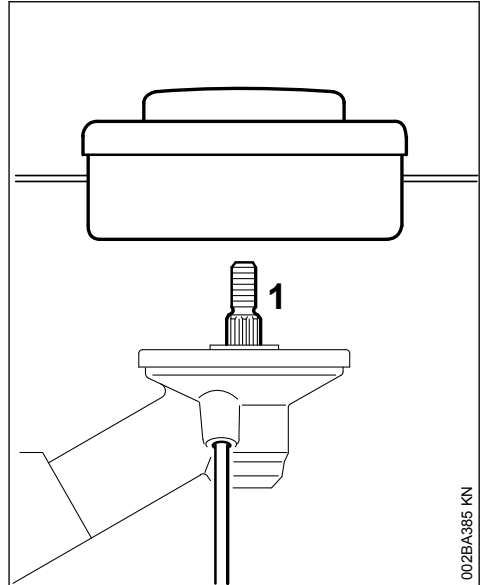
#### 6.3 Blocking the Shaft



- ▶ To block the shaft, insert a suitable tool (5) through the holes (6) in the deflector and thrust plate – turn the thrust plate back and forth if necessary.

#### 6.4 Fitting the mowing head with screw mounting

Keep the supplement sheet for the mowing head in a safe place.



- ▶ Fit the thrust plate
- ▶ Turn the mowing head anticlockwise on the shaft (1) as far as it will go
- ▶ Retain the shaft
- ▶ Tighten the mowing head

#### NOTICE

Remove the tool that was used to block the shaft.

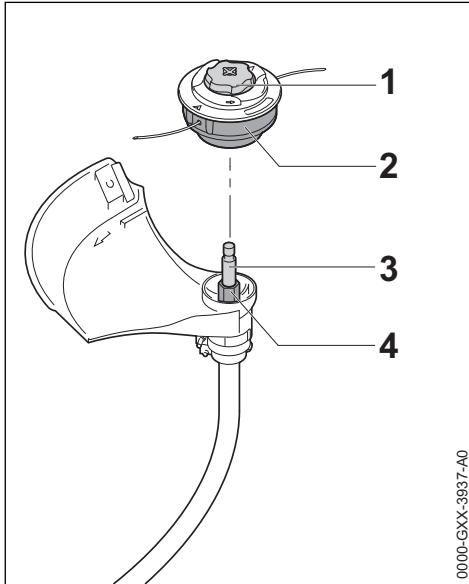
#### 6.5 Removing the Mowing Head

- ▶ Retain the shaft
- ▶ Turn the mowing head clockwise

#### 6.6 Fitting Mowing Head without Screw Mounting

Keep the supplement sheet for the mowing head in a safe place!

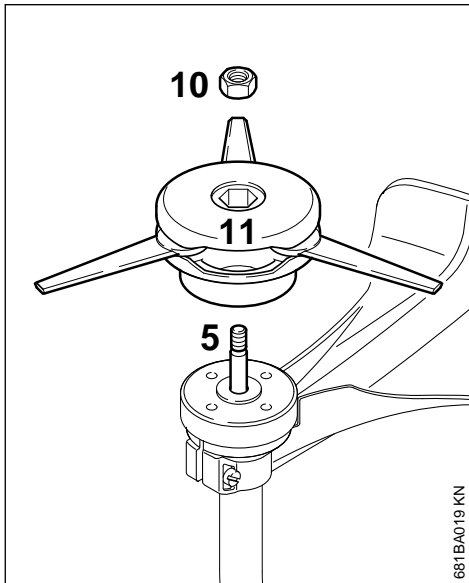
### 6.6.1 STIHL AutoCut C 6-2



0000-GXX-3937-A0

- ▶ Place the mowing head (2) on the shaft (3) while inserting the internal hexagon (2) on the hexagon (4)
- ▶ Hold the mowing head (2) with your hand.
- ▶ Turn cap (1) clockwise and tighten it firmly by hand.

### 6.6.2 STIHL PolyCut 6-2, PolyCut 7-3



681BA019 KN

- ▶ Push thrust plate onto the shaft
- ▶ Insert the nut (10) into the mowing head
- ▶ Turn the mowing head (11) clockwise until it engages the shaft (5)
- ▶ Retaining the Shaft
- ▶ Tighten the mowing head

**!** WARNING

Nuts that move too easily must be replaced.

*NOTICE*

Remove the tool that was used to block the shaft.

## 6.7 Removing the Mowing Head

### 6.7.1 STIHL AutoCut

- ▶ Hold the spool housing steady
- ▶ Unscrew the cap counterclockwise.

### 6.7.2 STIHL PolyCut

- ▶ Retaining the Shaft
- ▶ Turn the mowing head counterclockwise

## 7 Fuel

The engine requires a mixture of gasoline and engine oil.

**!** WARNING

Avoid direct skin contact with fuel and breathing in of gasoline fumes.

### 7.1 STIHL MotoMix

STIHL recommends using STIHL MotoMix. This pre-blended fuel is free of benzene and lead, is distinguished by a high octane rating, and always provides the proper mixing ratio.

STIHL MotoMix uses STIHL HP Ultra two-stroke engine oil for optimum engine life.

MotoMix is not available in all markets.

## 7.2 Mixing fuel

### NOTICE

Unsuitable fuels or a mixing ratio that deviates from the specification can lead to severe engine damage. The engine, seals, fuel lines and fuel tank may be damaged if low-quality gasoline or engine oil is used.

### 7.2.1 Gasoline

Use only **high-quality gasoline** with an octane rating of at least 90 ROC – leaded or unleaded.

Gasoline with an alcohol component exceeding 10% can cause impaired engine performance in engines with manually adjustable carburetors and thus should not be used in these engines.

Engines with M-Tronic deliver full engine performance using gasoline with an alcohol component of up to 27% (E27).

### 7.2.2 Engine oil

If you mix the fuel yourself, use only STIHL two-stroke engine oil or another high-performance engine oil classified as JASO FB, JASO FC, JASO FD, ISO-L-EGB, ISO-L-EGC or ISO-L-EGD.

STIHL specifies STIHL HP Ultra two-stroke engine oil or an equivalent high-performance engine oil in order to maintain emission limits over the machine's service life.

### 7.2.3 Mixing ratio

with STIHL two-stroke engine oil 1:50; 1:50 = 1 part oil + 50 parts gasoline

### 7.2.4 Examples

Quantity of gasoline	STIHL two-stroke engine oil 1:50	
Liters	Liters	(ml)
1	0.02	(20)
5	0.10	(100)
10	0.20	(200)
15	0.30	(300)
20	0.40	(400)
25	0.50	(500)

- Pour oil into an approved safety fuel canister first, then add gasoline and mix thoroughly

## 7.3 Storing fuel mixture

Store in approved safety fuel canisters only in a dry, cool and secure place protected against light and sunlight.

**Fuel mixture deteriorates with age** – mix only as much as needed for a few weeks. Do not store fuel mixture for longer than 30 days. The fuel mixture can become unusable more quickly if exposed to light, sunlight or low or high temperatures.

STIHL MotoMix however can be stored for up to 5 years without any problems.

- Shake the canister containing the fuel mixture thoroughly before refueling



### WARNING

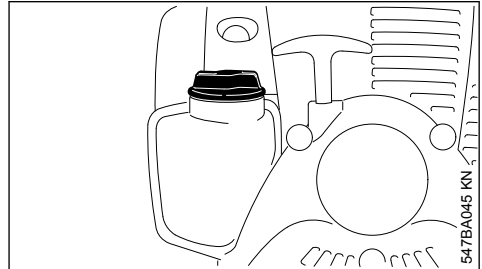
Pressure may have built up in the canister – open it carefully.

- The fuel tank and the canister in which fuel mixture is stored should be cleaned thoroughly from time to time

Residual fuel and the liquid used for cleaning must be disposed of in accordance with regulations and without harming the environment!

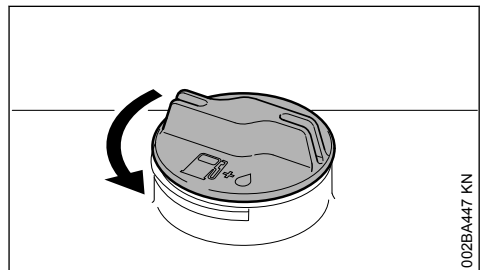
## 8 Fueling

### 8.1 Preparations



- Before fueling, clean the filler cap and the area around it to ensure that no dirt falls into the tank.
- Position the machine so that the filler cap is facing up.

### 8.2 Opening screw-type tank cap

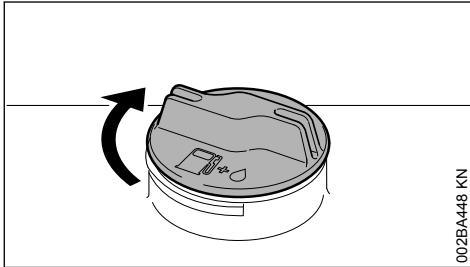


- ▶ Turn the cap counterclockwise until it can be removed from the tank opening.
- ▶ Remove the cap.

### 8.3 Filling up with fuel

Take care not to spill fuel while fueling and do not overfill the tank. STIHL recommends you use the STIHL filler nozzle (special accessory).

### 8.4 Closing screw-type tank cap



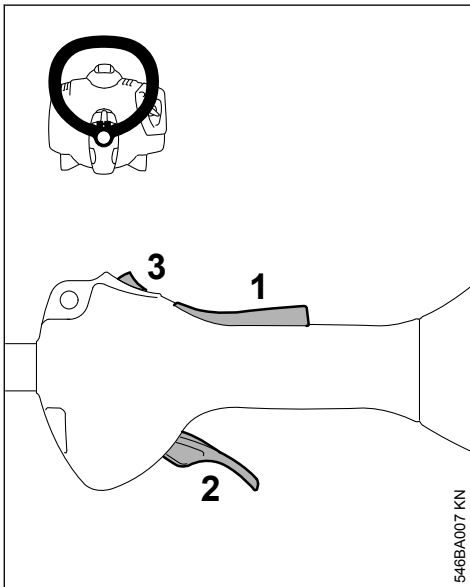
002BA448 KN

- ▶ Place the cap in the opening.
- ▶ Turn the cap clockwise as far as stop and tighten it down as firmly as possible by hand.

## 9 Starting / Stopping the Engine

### 9.1 Controls

#### 9.1.1 Version with loop handle



546BA007 KN

#### 1 Throttle trigger lockout

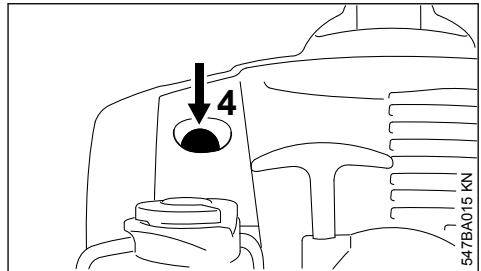
#### 2 Throttle trigger

#### 3 Stop switch with Run and 0 = Stop positions.

#### 9.1.2 Function of stop switch and ignition system

The stop switch is normally in the Run position, i.e. when it is **not** depressed: The ignition is switched on – the engine is ready to start. If the stop switch is moved to the **0** position, the ignition is switched off. The ignition is switched on again automatically after the engine stops.

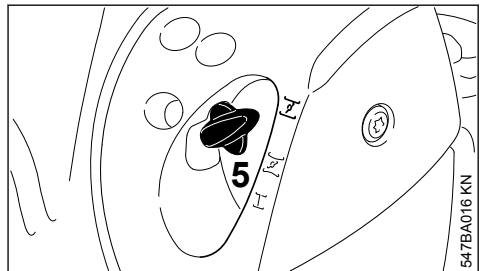
### 9.2 Starting the Engine



547BA015 KN

- ▶ Press the manual fuel pump bulb (4) at least five times – even if the bulb is filled with fuel.

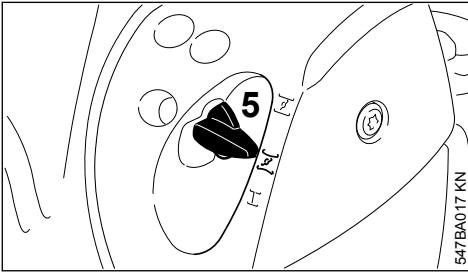
#### 9.2.1 Cold engine (cold start)




547BA016 KN

- ▶ Press in the choke lever (5) and turn it to **I** at the same time.

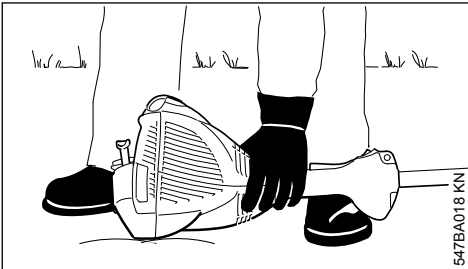
### 9.2.2 Warm engine (warm start)



- ▶ Press in the choke lever (5) and turn it to  at the same time.

Also use this setting if the engine has been running but is still cold.

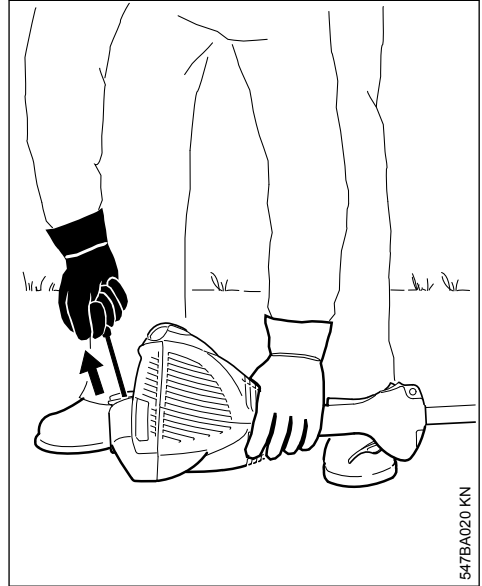
### 9.2.3 Cranking



- ▶ Place the unit on the ground: It must rest securely on the engine support and the deflector. Check that the cutting attachment is not touching the ground or any other obstacles.
- ▶ Make sure you have a safe and secure footing.
- ▶ Hold the unit **firmly** on the ground with your left hand and press down – do not touch the throttle trigger or lockout lever.

#### NOTICE

Do not stand or kneel on the drive tube.



- ▶ Hold the starter grip with your right hand.

#### 9.2.4 Version without ErgoStart

- ▶ Pull the starter grip slowly until you feel it engage and then give it a brisk strong pull.

#### 9.2.5 Version with ErgoStart

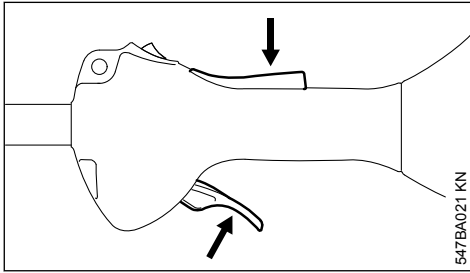
- ▶ Pull the starter grip steadily.

#### NOTICE

Do not pull out the starter rope all the way – it **might otherwise break**.

- ▶ Do not let the starter grip snap back. Guide it slowly back into the housing so that the starter rope can rewind properly.
- ▶ Continue cranking until the engine runs.

### 9.2.6 As soon as the engine runs



547BA021 KN

- ▶ Press down the throttle trigger lockout and open the throttle – the choke lever moves to the run position I. After a cold start, warm up the engine by opening the throttle several times.



#### WARNING

Make sure the carburetor is correctly adjusted. The cutting attachment must not rotate when the engine is idling.

Your machine is now ready for operation.

### 9.3 Stopping the Engine

- ▶ Move the stop switch in the direction of 0 – the engine stops – release the stop switch – it springs back to the run position.

### 9.4 Other Hints on Starting

**Engine stalls in cold start position  $\bar{\text{I}}$  or under acceleration**

- ▶ Move the choke knob to  $\bar{\text{I}}$  and continue cranking until the engine runs.

**Engine does not start in warm start position  $\bar{\text{I}}$**

- ▶ Move the choke knob to  $\bar{\text{I}}$  and continue cranking until the engine runs.

**If the engine does not start**

- ▶ Check that all settings are correct.
- ▶ Check that there is fuel in the tank and refuel if necessary.
- ▶ Check that the spark plug boot is properly connected.
- ▶ Repeat the starting procedure.

**Engine is flooded**

- ▶ Move the choke knob to I and continue cranking until the engine runs.

**Fuel tank run until completely dry**

- ▶ After refueling, press the manual fuel pump bulb at least five times – even if the bulb is filled with fuel.

- ▶ Set the choke lever to suit the engine temperature.
- ▶ Now start the engine.

## 10 Operating Instructions

### 10.1 During break-in period

A factory-new machine should not be run at high revs (full throttle off load) for the first three tank fillings. This avoids unnecessary high loads during the break-in period. As all moving parts have to bed in during the break-in period, the frictional resistances in the engine are greater during this period. The engine develops its maximum power after about 5 to 15 tank fillings.

### 10.2 During Operation

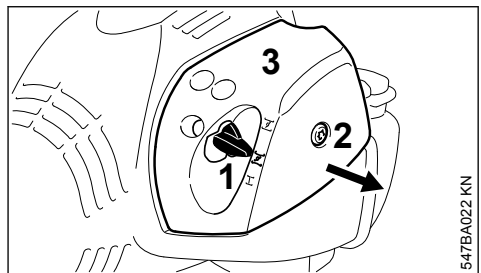
After a long period of full throttle operation, allow the engine to run for a short while at idle speed so that engine heat can be dissipated by the flow of cooling air. This protects engine-mounted components (ignition, carburetor) from thermal overload.

### 10.3 After Finishing Work

Storing for a short period: Wait for the engine to cool down. Empty the fuel tank and keep the machine in a dry place, well away from sources of ignition, until you need it again. For longer out-of-service periods – see "Storing the Machine".

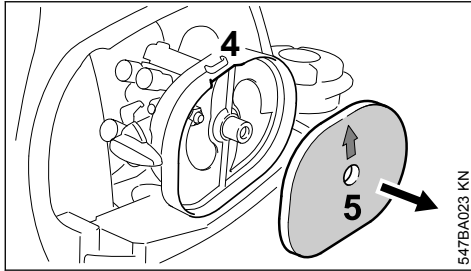
## 11 Cleaning the Air Filter

### 11.1 If there is a noticeable loss of engine power



547BA022 KN

- ▶ Move the choke lever (1) to  $\bar{\text{I}}$ .
- ▶ Turn the screw (2) in the filter cover (3) counterclockwise until the cover is loose.
- ▶ Ease the filter cover (3) over the choke lever and lift it away.
- ▶ Clean away loose dirt from around the filter.



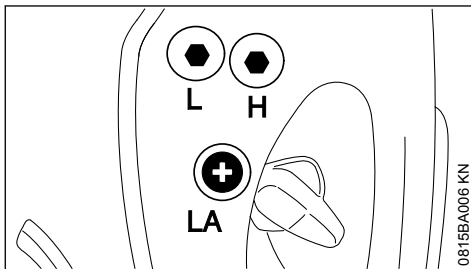
547BA023 KN

- ▶ Reach into the recess (4) in the filter housing and take out the felt filter (5).
- ▶ Fit a new felt filter element (5). As a temporary measure you can knock it out on the palm of your hand or blow it out with compressed air. Do not wash.

**NOTICE**

Replace damaged parts.

- ▶ Fit the felt filter (5) in the filter housing, make sure it is properly seated – the arrow points to the recess.
- ▶ Move the choke lever (1) to  $\overline{\text{Z}}$ .
- ▶ Fit the filter cover in position, making sure the screw is square. Tighten down the screw.

**12 Adjusting the Carburetor**

0816BA006 KN

The carburetor has been set at the factory to provide an optimum fuel-air mixture under most operating conditions.

**12.1 Adjusting Idle Speed****Engine stops while idling**

- ▶ Warm up the engine for about 3 minutes.
- ▶ Turn the idle speed screw (LA) slowly clockwise until the engine runs smoothly – the cutting attachment must not run.

**Cutting attachment runs when engine is idling**

- ▶ Turn the idle speed screw (LA) counterclockwise until the cutting attachment stops moving

and then rotate the screw another 1/2 to 3/4 turn in the same direction.

**! WARNING**

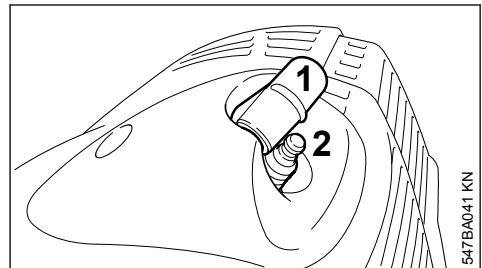
If the cutting attachment continues to run when the engine is idling, have your machine checked and repaired by your servicing dealer.

**13 Spark Plug**

- ▶ If the engine is down on power, difficult to start or runs poorly at idle speed, first check the spark plug.
- ▶ Fit a new spark plug after about 100 operating hours – or sooner if the electrodes are badly eroded. Install only suppressed spark plugs of the type approved by STIHL – see "Specifications".

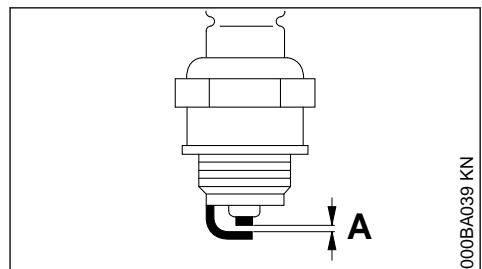
**13.1 Removing the Spark Plug**

- ▶ Shut off the engine.



547BA041 KN

- ▶ Remove the spark plug boot (1).
- ▶ Unscrew the spark plug (2).

**13.2 Checking the Spark Plug**

000BA039 KN

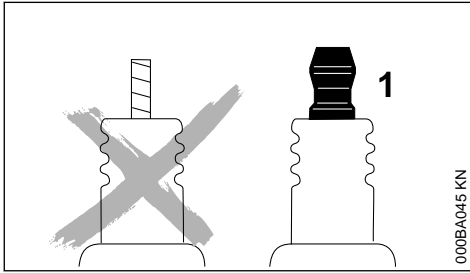
- ▶ Clean dirty spark plug.
- ▶ Check electrode gap (A) and readjust if necessary – see "Specifications".
- ▶ Rectify the problems which have caused fouling of the spark plug.

Possible causes are:

- Too much oil in fuel mix.
- Dirty air filter.



- Unfavorable running conditions.



**! WARNING**

Arcing may occur if the adapter nut (1) is loose or missing. Working in an easily combustible or explosive atmosphere may cause a fire or an explosion. This can result in serious injuries or damage to property.

- ▶ Use resistor type spark plugs with a properly tightened adapter nut.

### 13.3 Installing the Spark Plug

- ▶ Screw the spark plug into the cylinder.
- ▶ Press the boot firmly onto the spark plug.

## 14 Engine Running Behavior

If engine running behavior is unsatisfactory even though the air filter is clean and the carburetor is properly adjusted, the cause may be the muffler.

Have the muffler checked for contamination (carbonization) by your servicing dealer.

STIHL recommends that you have servicing and repair work carried out exclusively by an authorized STIHL servicing dealer.

## 15 Storing the Machine

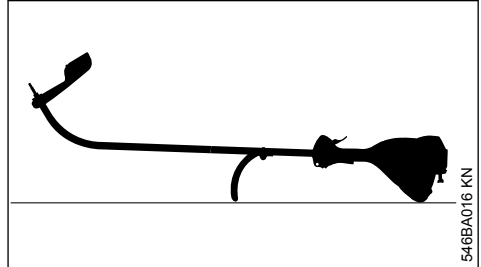
If out of use for periods of about 30 days or longer

- ▶ Drain and clean the fuel tank in a well ventilated area.
- ▶ Dispose of fuel properly in accordance with local environmental requirements.
- ▶ If a manual fuel pump is fitted: Press the manual fuel pump at least 5 times.
- ▶ Start the engine and run it at idling speed until it stops.
- ▶ Remove, clean and inspect the cutting attachment. Coat metal cutting attachments with corrosion inhibitor.
- ▶ Thoroughly clean the machine – pay special attention to the cylinder fins and air filter.

- ▶ Store the machine in a dry and secure location – out of the reach of children and other unauthorized persons.

## 16 Maintaining the Mowing Head

### 16.1 Placing power tool on the ground



- ▶ Switch off the engine.
- ▶ Lay your trimmer on its back with the loop handle and shroud pointing down and the output shaft facing up.

### 16.2 Replacing Nylon Line

Always check the mowing head for signs of wear before replacing the nylon line.

**! WARNING**

If there are signs of serious wear, replace the complete mowing head.

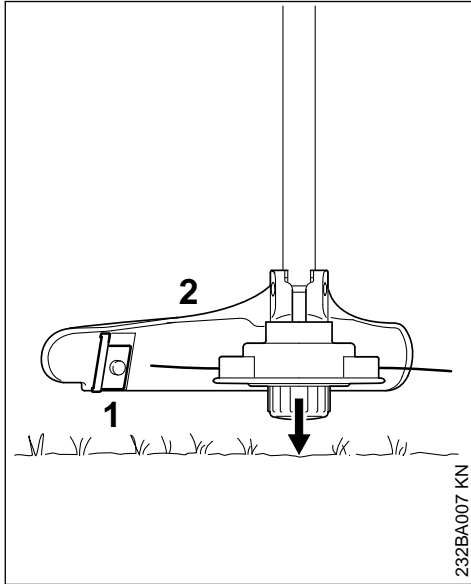
The nylon mowing line is referred to as "nylon line" or "line" in the following.

The mowing head is supplied with illustrated instructions for replacing the nylon line. Keep the instructions for the mowing head in a safe place.

- ▶ If necessary, remove the mowing head.

## 16.3 Adjusting Nylon Line

### 16.3.1 STIHL AutoCut



- ▶ Hold the rotating mowing head above the ground – tap it on the ground once – about 3 cm (1.2 in) of fresh line is advanced.
- ▶ The blade (1) on the deflector (2) trims surplus line to the correct length – avoid tapping the mowing head more than once at a time.

Line feed operates only if **both** lines still have a minimum length of **2.5 cm (1 in)**.

If the line is shorter than 2.5 cm (1 in):

#### WARNING

**To reduce the risk of injury**, always shut off the engine before adjusting the nylon mowing line by hand.

- ▶ Turn the machine over.
- ▶ Press down the cap on the spool as far as stop.
- ▶ Pull the ends of the lines out of the spool.

If the spool is empty, refill with nylon line.

### 16.3.2 All other mowing heads

Refer to the leaflet supplied with the mowing head.

#### WARNING

**To reduce the risk of injury**, always shut off the engine before adjusting the nylon mowing line by hand.

## 16.4 Replacing Nylon Line

### STIHL DuroCut

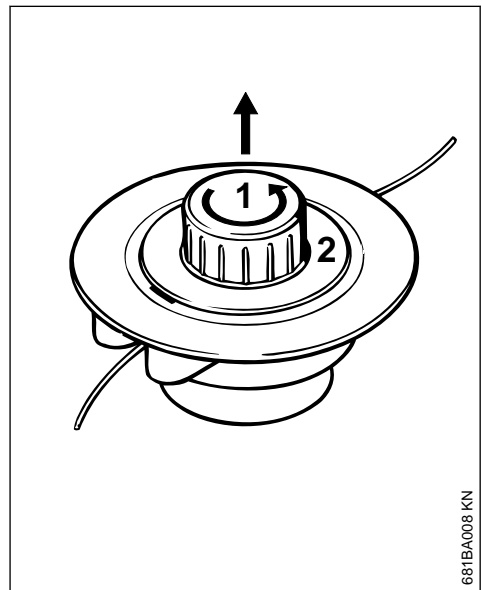
#### WARNING

**To reduce the risk of injury**, always shut off the engine before refilling the mowing head.

- ▶ Fit nylon line in the mowing head as described in the instructions supplied.

## 16.5 STIHL AutoCut 5-2

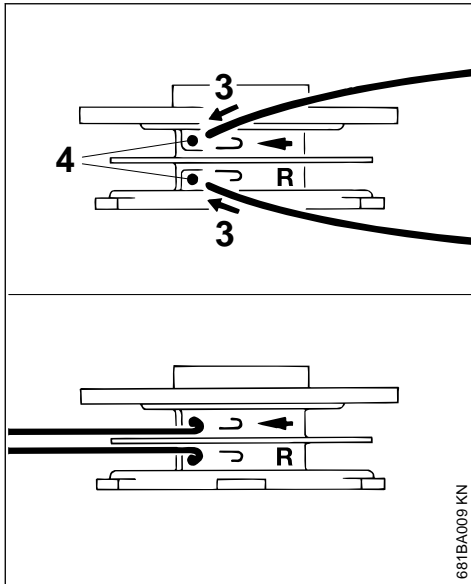
### 16.5.1 Removing remaining nylon line



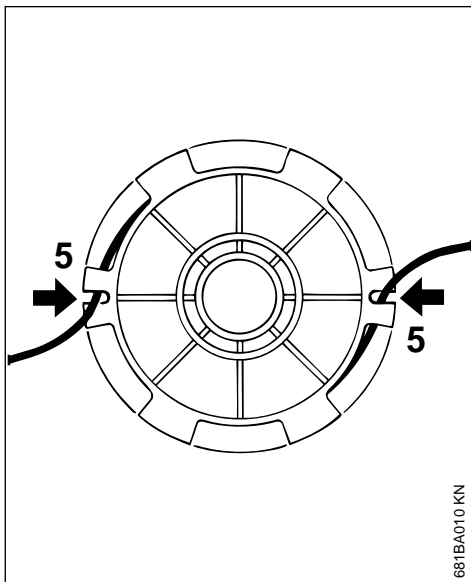
- ▶ Open the mowing head – hold it steady with one hand and turn the cap (1) counterclockwise.
- ▶ Disengage the spool (2), take it out of the mowing head and remove the remaining line.

### 16.5.2 Winding line onto spool

A prewound spool (special accessory) may be used as an alternative to the following procedure.



- ▶ Use green-coded nylon line with a diameter of 2.0 mm (0.08 in).
- ▶ Cut two 3 m (9ft 9in) lengths of nylon line from the reel (special accessory).
- ▶ Insert the ends of each line (3) in the holes (4) in the spool.
- ▶ Bend the ends of the lines over the edge of the holes to form a hook.

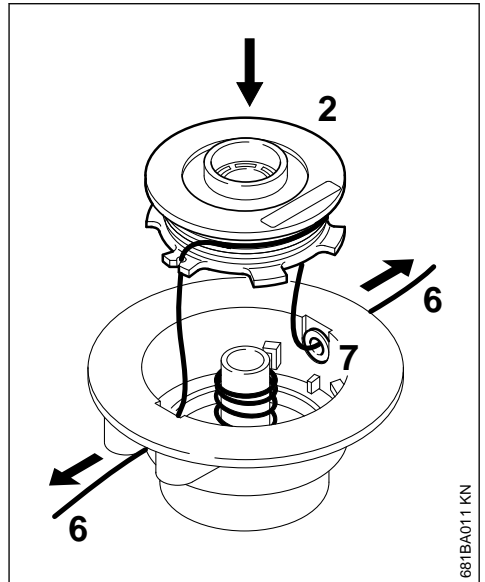


- ▶ Straighten out the nylon lines and wind them tightly on to the spool – one nylon line in each chamber.
- ▶ Engage the ends of the lines in the notches (2).

### 16.5.3 Assembling the mowing head

#### NOTICE

Check that the spring is installed (see "Mounting the Mowing Head").



- ▶ Thread the ends of the lines (6) through the sleeves (7) and push the spool (2) into the head so that it snaps into position.

The nylon lines must disengage from the notches (5) as the spool is pushed into position.

- ▶ Pull out the ends of the lines as far as stop.
- ▶ Mount the mowing head on the machine.

## 16.6 Replacing Cutting Blades

### 16.6.1 STIHL PolyCut


Always check the mowing head for signs of wear before installing new cutting blades.

 **WARNING**

If there are signs of serious wear, replace the complete mowing head.

The thermoplastic cutting blades are referred to as "blades" in the following.

The mowing head is supplied with illustrated instructions for replacing the blades. Keep the instructions for the mowing head in a safe place.

 **WARNING**

**To reduce the risk of injury**, always shut off the engine before installing the blades.

- ▶ Remove the mowing head.
- ▶ Replace blades as shown in the illustrated instructions.
- ▶ Mount the mowing head on the machine.

## 17 Maintenance and Care

The following intervals apply to normal operating conditions only. If your daily working time is longer or operating conditions are difficult (very dusty work area, etc.), shorten the specified intervals accordingly.		before starting work	after finishing work or daily	after each refueling stop	weekly	monthly	every 12 months	if problem	if damaged	as required
Complete machine	Visual inspection (condition, leaks)	X		X						
	Clean		X							
Control handle	Check operation	X		X						
Air filter	Clean							X		X
	Replace								X	
Manual fuel pump (if fitted)	Check	X								
	Have repaired by servicing dealer <sup>1)</sup>								X	
Pickup body (filter) in fuel tank	Check							X		
	Replace						X		X	X
Fuel tank	Clean							X		X
Carburetor	Check idle adjustment – the cutting attachment must not rotate	X		X						
	Readjust idle									X
Spark plug	Readjust electrode gap							X		
	Replace after every 100 operating hours									
Cooling air inlet	Visual inspection		X							
	Clean									X
All accessible screws and nuts (not adjusting screws)	Retighten									X
Cutting attachment	Visual inspection	X		X						
	Replace								X	
	Check tightness	X		X						
Safety labels	Replace							X		

The following intervals apply to normal operating conditions only. If your daily working time is longer or operating conditions are difficult (very dusty work area, etc.), shorten the specified intervals accordingly.	before starting work
	after finishing work or daily
	after each refueling stop
	weekly
	monthly
	every 12 months
	if problem
	if damaged
	as required
1)STIHL recommends an authorized STIHL servicing dealer.	

## 18 Minimize Wear and Avoid Damage

Observing the instructions in this manual helps reduce the risk of unnecessary wear and damage to the power tool.

The power tool must be operated, maintained and stored with the due care and attention described in this owner's manual.

The user is responsible for all damage caused by non-observance of the safety precautions, operating and maintenance instructions in this manual. This includes in particular:

- Alterations or modifications to the product not approved by STIHL.
- Using tools or accessories which are neither approved or suitable for the product or are of a poor quality.
- Using the product for purposes for which it was not designed.
- Using the product for sports or competitive events.
- Consequential damage caused by continuing to use the product with defective components.

### 18.1 Maintenance Work

All the operations described in the "Maintenance Chart" must be performed on a regular basis. If these maintenance operations cannot be performed by the owner, they should be performed by a servicing dealer.

STIHL recommends that you have servicing and repair work carried out exclusively by an authorized STIHL servicing dealer. STIHL dealers are regularly given the opportunity to attend training courses and are supplied with the necessary technical information.

If these maintenance operations are not carried out as specified, the user assumes responsibility for any damage that may occur. Among other parts, this includes:

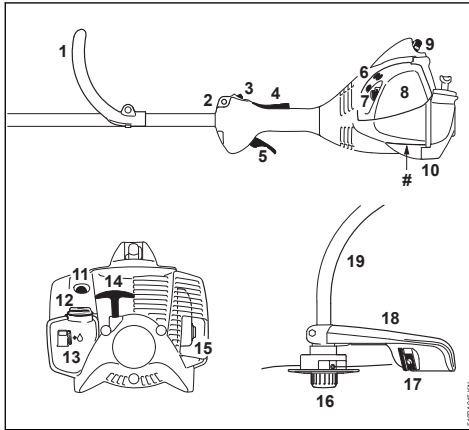
- Damage to the engine due to neglect or deficient maintenance (e.g. air and fuel filters), incorrect carburetor adjustment or inadequate cleaning of cooling air inlets (intake ports, cylinder fins).
- Corrosion and other consequential damage resulting from improper storage.
- Damage to the machine resulting from the use of poor quality replacement parts.

### 18.2 Parts Subject to Wear and Tear

Some parts of the power tool are subject to normal wear and tear even during regular operation in accordance with instructions and, depending on the type and duration of use, have to be replaced in good time. Among other parts, this includes:

- Cutting attachments (all types)
- Mounting hardware for cutting attachments (rider plate, nut, etc.)
- Deflectors for cutting attachments
- Clutch
- Filters (air, fuel)
- Rewind starter
- Spark plug

## 19 Main Parts



- 1 Loop handle
- 2 Carrying ring
- 3 Stop switch
- 4 Throttle trigger lockout
- 5 Throttle trigger
- 6 Carburetor adjusting screws
- 7 Choke lever
- 8 Air filter cover
- 9 Spark plug boot
- 10 Machine support
- 11 Manual fuel pump
- 12 Fuel cap
- 13 Tank
- 14 Starter grip
- 15 Muffler
- 16 Mowing head
- 17 Blade (for mowing line)
- 18 Deflector
- 19 Shaft
- # Serial number

## 20 Specifications

### 20.1 Engine

Single-cylinder two-stroke engine

#### 20.1.1 FS 40, FS 40 C

Displacement:	27.2cm <sup>3</sup>
Cylinder bore:	34 mm
Piston stroke:	30 mm

Engine power in accordance with ISO 8893:	0.7 kW (1.0 hp) at 8500 1/min
Idle speed:	2800 rpm
Cut-off speed (nominal value):	10000 rpm
Max. output shaft speed (cutting attachment):	10600 rpm

#### 20.1.2 FS 50, FS 50 C

Displacement:	27.2cm <sup>3</sup>
Cylinder bore:	34 mm
Piston stroke:	30 mm
Engine power in accordance with ISO 8893:	0.8 kW (1.1 hp) at 8500 1/min
Idle speed:	2800 rpm
Cut-off speed (nominal value):	10000 rpm
Max. output shaft speed (cutting attachment):	10600 rpm

## 20.2 Ignition system

Electronic magneto ignition

Spark plug (suppressed):	NGK CMR 6 H, BOSCH USR 4AC
Electrode gap:	0.5 mm

## 20.3 Fuel system

All-position diaphragm carburetor with integral fuel pump

Fuel tank capacity:	340 cm <sup>3</sup> (0.34 l)
---------------------	------------------------------

## 20.4 Weight

Dry, without cutting attachment and deflector

FS 40:	4.4 kg
FS 40 C with ErgoStart:	4.5 kg
FS 50:	4.4 kg
FS 50: with long shaft:	4.5 kg
FS 50 C with ErgoStart:	4.5 kg
FS 50 C with ErgoStart and long shaft:	4.6 kg

## 20.5 Dimension

without cutting attachment

FS 40:	1450 m
FS 40 C with ErgoStart:	1450 m
FS 50:	1450 m
FS 50: with long shaft:	1650 m
FS 50 C with ErgoStart:	1450 m
FS 50 C with ErgoStart and long shaft:	1650 m

## 20.6 Noise and Vibration Data

Noise and vibration data measurements include idling and rated maximum speed with the same duration of exposure.

For further details on compliance with Vibration Directive 2002/44/EC see

[www.stihl.com/vib](http://www.stihl.com/vib)

### 20.6.1 Sound pressure level $L_p$ to ISO 22868

FS 40, FS 40 C:	94 dB(A)
FS 50, FS 50 C:	93 dB(A)

### 20.6.2 Sound power level $L_{w\text{eq}}$ to ISO 22868

FS 40, FS 40 C:	104 dB(A)
FS 50, FS 50 C:	105 dB(A)

### 20.6.3 Vibration measurement $a_{\text{hv,eq}}$ to ISO 22867

	Handle, left	Handle, right
FS 40, FS 40 C:	7.0 m/s <sup>2</sup>	6.4 m/s <sup>2</sup>
FS 50, FS 50 C:	6.0 m/s <sup>2</sup>	5.7 m/s <sup>2</sup>

The K-factor in accordance with Directive 2006/42/EC is 2.0 dB(A) for the sound pressure level and sound power level; the K-factor in accordance with Directive 2006/42/EC is 2.0 m/s<sup>2</sup> for the vibration level.

## 20.7 REACH

REACH is an EC regulation and stands for the Registration, Evaluation, Authorization and Restriction of Chemical substances.

For information on compliance with the REACH regulation (EC) No. 1907/2006 see

[www.stihl.com/reach](http://www.stihl.com/reach)

## 20.8 Exhaust Emissions

The CO<sub>2</sub> value measured in the EU type approval procedure is specified at

[www.stihl.com/co2](http://www.stihl.com/co2)

in the product-specific technical data.

The measured CO<sub>2</sub> value was determined on a representative engine in accordance with a standardized test procedure under laboratory conditions and does not represent either an explicit or implied guarantee of the performance of a specific engine.

The applicable exhaust emission requirements are fulfilled by the intended usage and maintenance described in this User Manual. The operating license shall be void if the engine is modified in any way.


## 21 Maintenance and Repairs

Users of this machine may only carry out the maintenance and service work described in this user manual. All other repairs must be carried out by a servicing dealer.

STIHL recommends that you have servicing and repair work carried out exclusively by an authorized STIHL servicing dealer. STIHL dealers are regularly given the opportunity to attend training courses and are supplied with the necessary technical information.

When repairing the machine, only use replacement parts which have been approved by STIHL for this power tool or are technically identical. Only use high-quality replacement parts in order to avoid the risk of accidents and damage to the machine.

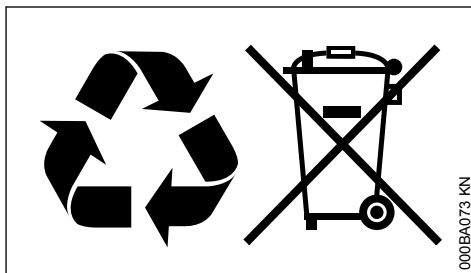
STIHL recommends the use of original STIHL replacement parts.

Original STIHL parts can be identified by the STIHL part number, the **STIHL** logo and the STIHL parts symbol  (the symbol may appear alone on small parts).

## 22 Disposal

Contact the local authorities or your STIHL servicing dealer for information on disposal.

Improper disposal can be harmful to health and pollute the environment.



- ▶ Take STIHL products including packaging to a suitable collection point for recycling in accordance with local regulations.
- ▶ Do not dispose with domestic waste.

## 23 EC Declaration of Conformity

ANDREAS STIHL AG & Co. KG  
Badstr. 115  
D-71336 Waiblingen  
Germany

declares under our sole responsibility that

Designation: Trimmer  
 Make: STIHL  
 Series: FS 40  
 FS 40 C  
 FS 40 C-E  
 FS 50  
 FS 50-L  
 FS 50 C  
 FS 50 C-E  
 FS 50 C-E L  
 Serial identification number: 4144  
 Displacement: 27.2cm<sup>3</sup>

conforms to the relevant provisions of Directives 2011/65/EU, 2006/42/EC, 2014/30/EU and 2000/14/EC and has been developed and manufactured in compliance with the following standards in the versions valid on the date of production:

EN ISO 11806-1, EN 61000-6-1, EN 55012.

The measured and the guaranteed sound power level have been determined in accordance with Directive 2000/14/EC, Annex V, and standard ISO 10884.

#### Measured sound power level

all FS 40: 109 dB(A)  
 all FS 50: 109 dB(A)

#### Guaranteed sound power level

all FS 40: 111 dB(A)  
 all FS 50: 111 dB(A)

Technical documents deposited at:

ANDREAS STIHL AG & Co. KG  
 Produktzulassung

The year of manufacture and serial number are applied to the product.

Waiblingen, 2022-08-01

ANDREAS STIHL AG & Co. KG

pp



Robert Olma, Vice President, Regulatory Affairs & Global Governmental Relations



## 24 UKCA Declaration of Conformity

ANDREAS STIHL AG & Co. KG  
 Badstr. 115  
 D-71336 Waiblingen

Germany

declares under our sole responsibility that

Designation: Trimmer  
 Make: STIHL  
 Series: FS 40  
 FS 40 C  
 FS 40 C-E  
 FS 50  
 FS 50-L  
 FS 50 C  
 FS 50 C-E  
 FS 50 C-E L  
 Serial identification number: 4144  
 Displacement: 27.2cm<sup>3</sup>

conforms to the relevant provisions of UK regulations The Restriction of the Use of Certain Hazardous Substances in Electrical and Electronic Equipment Regulations 2012, Supply of Machinery (Safety) Regulations 2008, Electromagnetic Compatibility Regulations 2016 and Noise Emission in the Environment by Equipment for use Outdoors Regulations 2001 and has been manufactured in compliance with the following standards in the versions valid on the date of production:

EN ISO 11806-1, EN 61000-6-1, EN 55012.

The measured and guaranteed sound power levels were determined in accordance with the UK Noise Emission in the Environment by Equipment for Use Outdoors Regulations 2001, Schedule 8, using the ISO 10884 standard.

#### Measured sound power level

all FS 40: 109 dB(A)  
 all FS 50: 109 dB(A)

#### Guaranteed sound power level

all FS 40: 111 dB(A)  
 all FS 50: 111 dB(A)

Technical documents deposited at:

ANDREAS STIHL AG & Co. KG

The year of manufacture and serial number are applied to the product.

Waiblingen, 2022-08-01

ANDREAS STIHL AG & Co. KG

pp





Robert Olma, Vice President, Regulatory Affairs  
& Global Governmental Relations

**UK  
CA**

**25 Addresses**

[www.stihl.com](http://www.stihl.com)





[www.stihl.com](http://www.stihl.com)



0458-546-0121-F



0458-546-0121-F