

# STIHL

## STIHL FS 40, 50

Instruction Manual  
Notice d'emploi



Ⓞ **Instruction Manual**  
1 - 33

Ⓣ **Notice d'emploi**  
34 - 68

## Contents

Guide to Using this Manual	2
Safety Precautions and Working Techniques	2
Approved Combinations of Cutting Attachment, Deflector, Handle and Harness	9
Mounting the Loop Handle	10
Mounting the Deflector	10
Mounting the Cutting Attachment	11
Fuel	14
Fueling	15
Starting / Stopping the Engine	15
Operating Instructions	17
Cleaning the Air Filter	18
Engine Management	18
Adjusting the Carburetor	19
Spark Plug	19
Engine Running Behavior	20
Storing the Machine	20
Maintaining the Mowing Head	21
Inspections and Maintenance by Dealer	25
Maintenance and Care	26
Main Parts	28
Specifications	29
Maintenance and Repairs	30
Disposal	31
STIHL Limited Emission Control Warranty Statement	31

Dear Customer,

Thank you for choosing a quality engineered STIHL product.

It has been built using modern production techniques and comprehensive quality assurance. Every effort has been made to ensure your satisfaction and trouble-free use of the product.

Please contact your dealer or our sales company if you have any queries concerning this product.

Your



Dr. Nikolas Stihl

# STIHL

FS 40, FS 40 C, FS 50, FS 50 C

This instruction manual is protected by copyright. All rights reserved, especially the rights to reproduce, translate and process with electronic systems.

## Guide to Using this Manual

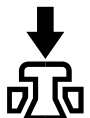
### Pictograms

The meanings of the pictograms attached to the machine are explained in this manual.

Depending on the model concerned, the following pictograms may be attached to your machine.



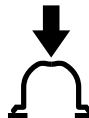
Fuel tank; fuel mixture of gasoline and engine oil



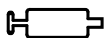
Operate decompression valve



Manual fuel pump



Operate manual fuel pump



Tube of grease



Intake air: Summer operation



Intake air: Winter operation



Handle heating

### Symbols in text



#### WARNING

Warning where there is a risk of an accident or personal injury or serious damage to property.



#### NOTICE

Caution where there is a risk of damaging the machine or its individual components.

### Engineering improvements

STIHL's philosophy is to continually improve all of its products. For this reason we may modify the design, engineering and appearance of our products periodically.

Therefore, some changes, modifications and improvements may not be covered in this manual.

## Safety Precautions and Working Techniques



Some special safety precautions have to be observed when working with this power tool because of the very high speed of the cutting attachment.



It is important that you read the instruction manual before first use and keep it in a safe place for future reference. Non-observance of the instruction manual may result in serious or even fatal injury.

Observe all applicable local safety regulations, standards and ordinances.

If you have not used this type of power tool before: Have your dealer or other experienced user show you how to operate your unit or attend a special course in its operation.

Minors should never be allowed to use a power tool.

Keep bystanders, especially children, and animals away from the work area.

When the power tool is not in use, shut it off so that it does not endanger others. Secure it against unauthorized use.

The user is responsible for avoiding injury to third parties or damage to their property.

Do not lend or rent your power tool without the instruction manual. Be sure that anyone using your power tool understands the information contained in this manual.

The use of noise emitting power tools may be restricted to certain times by national or local regulations.

To operate the power tool you must be rested, in good physical condition and mental health. If you have any condition that might be aggravated by strenuous work, check with your doctor before operating a power tool.

Persons with pacemakers only: The ignition system of your power tool produces an electromagnetic field of a very low intensity. This field may interfere with some pacemakers. STIHL recommends that persons with pacemakers consult their physician and the pacemaker manufacturer to reduce any health risk.

Do not operate the power tool if you are under the influence of any substance (drugs, alcohol) which might impair vision, dexterity or judgment.

Depending on the cutting attachment fitted, use your trimmer only for cutting grass, wild growth and similar materials.

It must not be used for any other purpose because of the increased risk of accidents and damage to the machine. Never attempt to modify your power tool in any way since this may result in accidents or damage to the machine.

Only use cutting attachments and accessories that are explicitly approved for this power tool model by STIHL or are technically identical. If you have any questions in this respect, consult a

servicing dealer. Use only high quality cutting attachments and accessories in order to avoid the risk of accidents and damage to the machine.

STIHL recommends the use of genuine STIHL cutting attachments and accessories. They are specifically designed to match the product and meet your performance requirements.

The deflector on this power tool cannot protect the operator from all objects thrown by the cutting attachment (stones, glass, wire, etc.). Such objects may ricochet and then hit the operator.

### Clothing and Equipment

Wear proper protective clothing and equipment.



Clothing must be sturdy but allow complete freedom of movement. Wear snug-fitting clothing, an overall and jacket combination, do not wear a work coat.

Avoid clothing that could get caught on branches or brush or moving parts of the machine. Do not wear a scarf, necktie or jewelry. Tie up long hair so that it is above shoulder level.



Wear sturdy shoes with non-slip soles.

### **WARNING**



To reduce the risk of eye injuries, wear snug-fitting safety glasses in accordance with European Standard EN 166. Make sure the safety glasses are a good fit.

Wear a face shield and make sure it is a good fit. A face shield alone does not provide adequate eye protection.

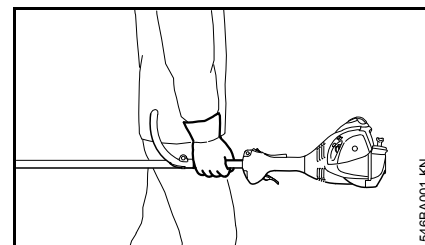
Wear hearing protection, e.g. earplugs or ear muffs.



Wear robust work gloves made of durable material (e.g. leather).

STIHL offers a comprehensive range of personal protective clothing and equipment.

### Transporting the Power Tool



Always turn off the engine.

Carry the unit properly balanced by the drive tube or loop handle.

In vehicles: Properly secure your power tool to prevent turnover, fuel spillage and damage.

## Fueling

---



**Gasoline is an extremely flammable fuel.** Keep clear of naked flames. Do not spill any fuel – do not smoke.

Always shut off the engine before refueling.

Do not fuel a hot engine – **fuel may spill and cause a fire.**

Open the fuel cap carefully to allow any pressure build-up in the tank to release slowly and avoid fuel spillage.

Fuel your power tool only in well-ventilated areas. If you spill fuel, wipe the machine immediately – if fuel gets on your clothing, change immediately.



After fueling, tighten down the fuel tank cap as securely as possible.

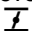
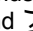
This reduces the risk of unit vibrations causing the fuel cap to loosen or come off and spill quantities of fuel.

**To reduce the risk of serious or fatal burn injuries,** check for fuel leakage. If fuel leakage is found, do not start or run the engine until leak is fixed.

## Before Starting

---

Check that your power tool is properly assembled and in good condition – refer to appropriate chapters in the instruction manual.

- Check the fuel system for leaks, paying special attention to visible parts such as the tank cap, hose connections and the manual fuel pump (on machines so equipped). If there are any leaks or damage, do not start the engine – **risk of fire.** Have your machine repaired by a servicing dealer before using it again.
- Use only an approved combination of cutting attachment, deflector, handle and harness. All parts must be assembled properly and securely. To reduce the risk of injury, **never** use metal cutting attachments.
- The stop switch must move easily to **0**.
- Check smooth action of choke knob, throttle trigger lockout and throttle trigger – the throttle trigger must return automatically to the idle position. The choke lever must spring back from the  and  positions to the run position **I** when the throttle trigger lockout and throttle trigger are squeezed.
- Check that the spark plug boot is secure – a loose boot may cause arcing that could ignite combustible fumes **and cause a fire.**
- Check cutting attachment for correct and secure assembly and good condition.

- Check protective devices (e.g. deflector for cutting attachment) for damage or wear. Always replace damaged parts. Never operate the unit with a damaged deflector.
- Never attempt to modify the controls or safety devices in any way.
- Keep the handles dry and clean – free from oil and dirt – for safe control of the power tool.
- Adjust the harness and handle(s) to suit your height and reach.

**To reduce the risk of accidents,** do not operate your power tool if it is damaged or not properly assembled.

If you use a shoulder strap or full harness: Practice removing and putting down the power tool as you would in an emergency. To avoid damage, do not throw the machine to the ground when practicing.

## Starting the Engine

---

Start the engine at least 3 meters from the fueling spot, outdoors only.

Place the unit on firm ground in an open area. Make sure you have good balance and secure footing. Hold the unit securely. The cutting attachment must be clear of the ground and all other obstructions because it may begin to run when the engine starts.

Your power tool is a one-person unit. **To reduce the risk of injury** from thrown objects, do not allow other persons within a radius of 15 meters of your own position – even when starting.



**To reduce the risk of injury**, avoid contact with the cutting attachment.

Do not drop start the power tool – start the engine as described in the instruction manual.



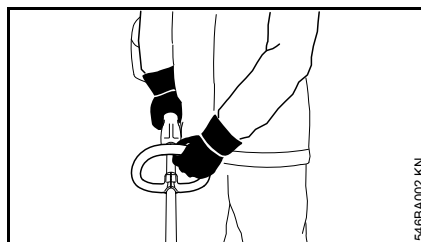
Note that the cutting attachment continues to run for a short period after you let go of the throttle trigger – **flywheel effect**.

Check idle speed setting: The cutting attachment must not rotate when the engine is idling with the throttle trigger released.

**To reduce the risk of fire**, keep hot exhaust gases and hot muffler away from easily combustible materials (e.g. wood chips, bark, dry grass, fuel).

### Holding and Controlling the Unit

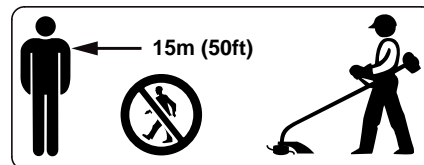
Always hold the power tool firmly with both hands on the handles. Make sure you always have good balance and secure footing.



Left hand on loop handle, right hand on control handle, even if you are left-handed.

### During Operation

In the event of impending danger or in an emergency, switch off the engine immediately – move the stop switch in the direction of 0.



The cutting attachment may catch and fling objects a great distance and cause injury - therefore, do not allow any other persons within a radius of 15 meters of your own position. **To reduce the risk of damage to property**, also maintain this distance from other objects (vehicles, windows). Even maintaining a distance of 15 meters or more cannot exclude the potential danger.

The correct engine idle speed is important to ensure that the cutting attachment stops rotating when you let go of the throttle trigger.

Check and correct the idle speed setting regularly. If the cutting attachment continues to rotate when the engine is idling, have the machine checked by your servicing dealer. STIHL recommends a STIHL servicing dealer.

**Take special care in slippery conditions** (ice, wet ground, snow), on slopes or uneven ground.

Watch out for obstacles: Roots, tree stumps or holes which **could cause you to trip or stumble**.

Make sure you always have good balance and secure footing.

Always stand on the ground while working, never on a ladder, work platform or any other insecure support.

Be particularly alert and cautious when wearing hearing protection because your ability to hear warnings (shouts, alarms, etc.) is restricted.

**To reduce the risk of accidents**, take a break in good time to avoid tiredness or exhaustion.

Work calmly and carefully – in daylight conditions and only when visibility is good. Stay alert so as not to endanger others.



Your power tool produces toxic exhaust fumes as soon as the engine is running. These fumes may be colorless and odorless and contain unburned hydrocarbons and benzol. Never run the engine indoors or in poorly ventilated locations, even if your model is equipped with a catalytic converter.

**To reduce the risk of serious or fatal injury from breathing toxic fumes,** ensure proper ventilation when working in trenches, hollows or other confined locations.


**To reduce the risk of accidents,** stop work immediately in the event of nausea, headache, visual disturbances (e.g. reduced field of vision), problems with hearing, dizziness, deterioration in ability to concentrate. Apart from other possibilities, these symptoms may be caused by an excessively high concentration of exhaust gases in the work area.

Operate your power tool so that it produces a minimum of noise and emissions – do not run the engine unnecessarily, accelerate the engine only when working.

**To reduce the risk of fire, do not smoke** while operating or standing near your power tool. Note that combustible fuel vapor may escape from the fuel system.

The dusts, vapor and smoke produced during operation may be dangerous to health. If the work area is very dusty or smoky, wear a respirator.

If your power tool is subjected to unusually high loads for which it was not designed (e.g. heavy impact or a fall), always check that it is in good condition before continuing work – see also "Before Starting". Check the fuel system in particular for leaks and make sure the safety devices are working properly. Do not continue operating your power tool if it is damaged. In case of doubt, have the unit checked by your servicing dealer.

Do not operate your power tool with the choke lever in the warm start position  – the engine speed cannot be controlled in this position.



**To reduce the risk of injury** from thrown objects, never operate the power tool without the proper deflector for the type of cutting attachment being used.



Inspect the work area: Stones, pieces of metal or other solid objects may be thrown more than 15 meters and **cause personal injury** or damage the cutting attachment and property (e.g. parked vehicles, windows).



Special care must be taken when working in difficult, over-grown terrain.

When cutting high scrub, under bushes and hedges: Keep cutting attachment at a minimum height of 15 cm to avoid harming small animals.

Always shut off the engine before leaving the unit unattended.

Check the cutting attachment at regular short intervals during operation or immediately if there is a noticeable change in cutting behavior:

- Turn off the engine. Hold the unit firmly and wait for the cutting attachment to come to a standstill.
- Check condition and tightness, look for cracks.
- Replace damaged cutting attachments immediately, even if they have only superficial cracks.

Clean grass and plant residue off the cutting attachment mounting at regular intervals – remove any build up of material from the cutting attachment and deflector.

**To reduce the risk of injury,** shut off the engine before replacing the cutting attachment.

Do not continue using or attempt to repair damaged or cracked cutting attachments by welding, straightening or modifying the shape (out of balance).

This may cause parts of the cutting attachment to come off and hit the operator or bystanders at high speed and **result in serious or fatal injuries.**

#### When using mowing heads

Use only the deflector with properly mounted line limiting blade to ensure the mowing lines are automatically trimmed to the approved length.



**To reduce the risk of injury**, always turn off the engine before adjusting the nylon line of manually adjustable mowing heads

Using the unit with over-long nylon cutting lines reduces the engine's operating speed. The clutch then slips continuously and this causes overheating and damage to important components (e.g. clutch, polymer housing components) – **and this can increase the risk of injury** from the cutting attachment rotating while the engine is idling.

### Vibrations

Prolonged use of the power tool may result in vibration-induced circulation problems in the hands (whitefinger disease).

No general recommendation can be given for the length of usage because it depends on several factors.

The period of usage is prolonged by:

- Hand protection (wearing warm gloves)
- Work breaks

The period of usage is shortened by:

- Any personal tendency to suffer from poor circulation (symptoms: frequently cold fingers, tingling sensations).
- Low outside temperatures.
- The force with which the handles are held (a tight grip restricts circulation).

Continual and regular users should monitor closely the condition of their hands and fingers. If any of the above symptoms appear (e.g. tingling sensation in fingers), seek medical advice.

### Maintenance and Repairs

Service the machine regularly. Do not attempt any maintenance or repair work not described in the instruction manual. Have all other work performed by a servicing dealer.

STIHL recommends that you have servicing and repair work carried out exclusively by an authorized STIHL servicing dealer. STIHL dealers are regularly given the opportunity to attend training courses and are supplied with the necessary technical information.

Only use high-quality replacement parts in order to avoid the risk of accidents and damage to the machine. If you have any questions in this respect, consult a servicing dealer.

STIHL recommends the use of genuine STIHL replacement parts. These parts are specifically designed to match your machine model and meet your performance requirements.

To reduce **the risk of injury** from unintentional engine startup, **always shut off the engine and disconnect the spark plug boot** before performing any repairs, maintenance or cleaning work. – Exception: Carburetor and idle speed adjustments.

Do not turn the engine over on the starter with the spark plug boot or spark plug removed since there is otherwise a **risk of fire** from uncontained sparking.

To reduce the **risk of fire**, do not service or store your machine near open flames.

Check the fuel filler cap for leaks at regular intervals.

Use only a spark plug of the type approved by STIHL and make sure it is in good condition – see "Specifications".

Inspect the ignition lead (insulation in good condition, secure connection).

Check the condition of the muffler.

To reduce the **risk of fire and damage to hearing**, do not operate your machine if the muffler is damaged or missing.

Do not touch a hot muffler since **burn injury** will result.

**Maintenance, replacement, or repair of the emission control devices and systems may be performed by any nonroad engine repair establishment or individual. However, if you make a warranty claim for a component which has not been serviced or maintained properly, STIHL may deny coverage.**

For any maintenance please refer to the maintenance chart and to the warranty statement near the end of the instruction manual.

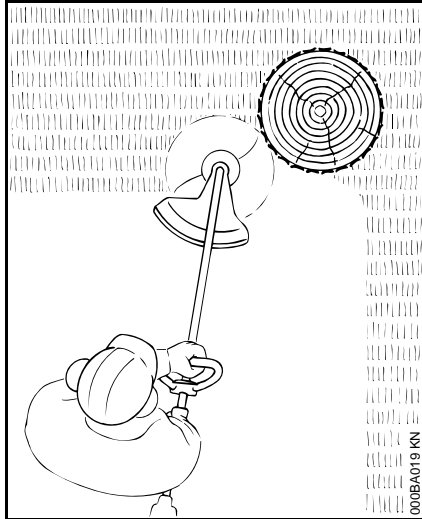
### Symbols on Deflectors

An arrow on the deflector shows the correct direction of rotation of the cutting attachments.



Use deflector in combination with mowing heads only. Do not use metal cutting attachments.

### Mowing Head with Nylon Lines

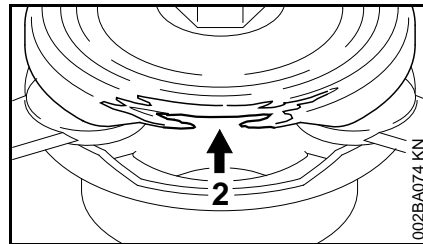
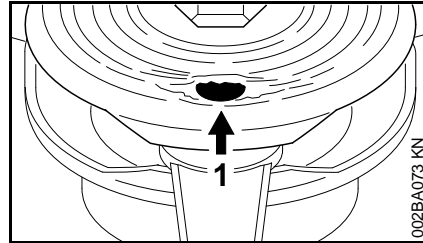


Nylon line achieves a soft cut for edging and trimming around fence posts, trees, etc. – less risk of damaging tree bark.

### WARNING

To reduce the **risk of injury**, **never** use steel wire in place of the nylon cutting line.

### STIHL PolyCut 6-3 Mowing Head with Polymer Blades



For mowing unobstructed edges of meadows (without posts, fences, trees or similar obstacles).

It is important to follow the maintenance instructions for the PolyCut mowing head.

### Check the wear limit marks!

Wear limit marks are integrated in the base of the PolyCut.

Do not continue using the PolyCut 6-3 if one of the circular holes (1; arrow) becomes visible or if the projecting rim (2; arrow) has worn away. Install a new mowing head.

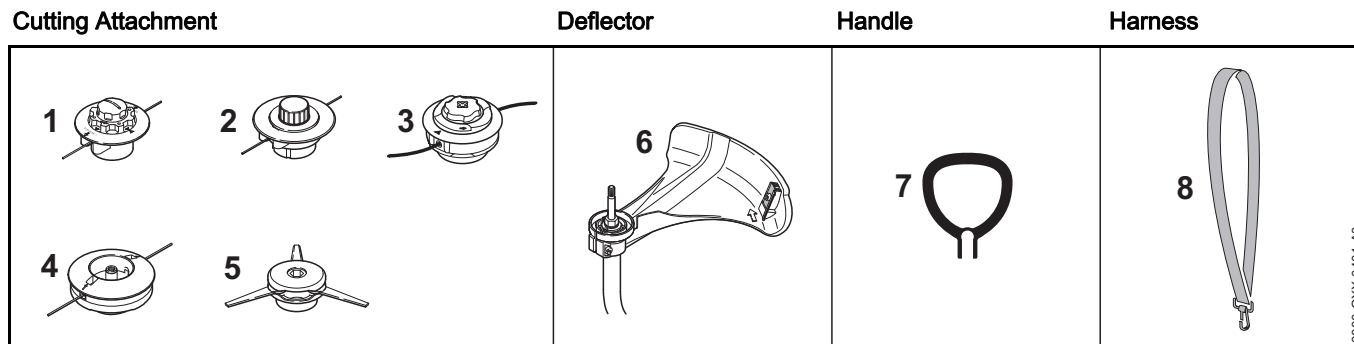
### WARNING

If the wear limit marks are ignored, there is a risk of the cutting tool shattering and flying parts injuring the operator or bystanders.

To reduce the risk of accidents from shattered blades, avoid contact with stones, metal and similar solid objects.

Check PolyCut blades for cracks at regular intervals. If a crack is found in one of the blades, always replace **all** the blades.

## Approved Combinations of Cutting Attachment, Deflector, Handle and Harness



### Approved Combinations

Select correct combination from the table according to the cutting attachment you intend to use.

### **WARNING**

For safety reasons no other combinations are permitted – **risk of accidents.**

### Cutting Attachments

#### Mowing heads

- 1 STIHL AutoCut C 5-2
- 2 STIHL AutoCut 5-2
- 3 STIHL AutoCut C 6-2
- 4 STIHL DuroCut 5-2
- 5 STIHL PolyCut 6-3

### Deflector

- 6 Deflector with blade, for mowing heads

### Handle

- 7 Loop handle

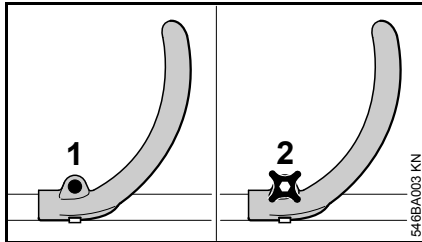
### Harness

- 8 Shoulder strap may be used

## Mounting the Loop Handle

Your new power tool comes with the loop handle mounted on the drive tube, but it must be turned and lined up to suit your requirements.

### Adjusting the loop handle



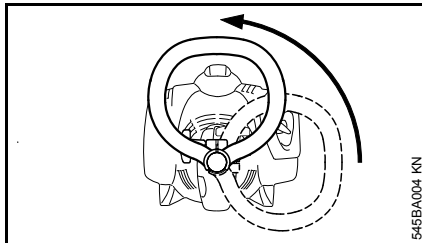
#### Versions with screw (FS 40)

- Use a screwdriver or the combination wrench to loosen the screw (1) on the handle.

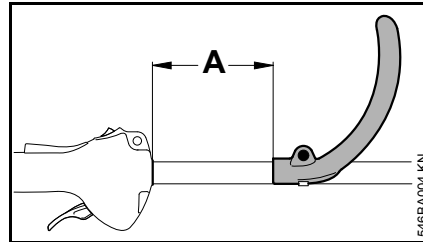
#### Versions with star knob (FS 50)

- Loosen the star knob (2) on the handle.

#### All versions



- Turn the handle to the vertical position.

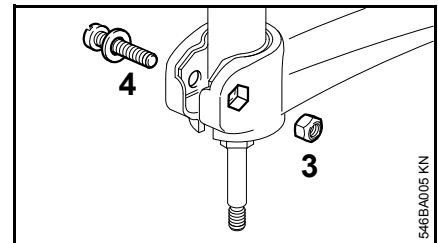
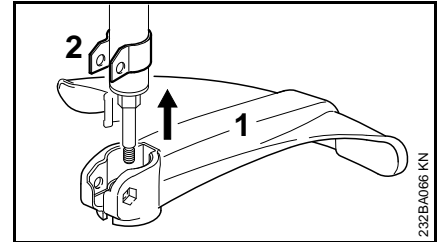


The loop handle can be adjusted to suit the height and reach of the operator and the application by changing distance (A).

Recommended distance (A):  
about 15 cm

- Slide the handle to the required position.
- Tighten down the screw or star knob so that the handle cannot be rotated on the drive tube.

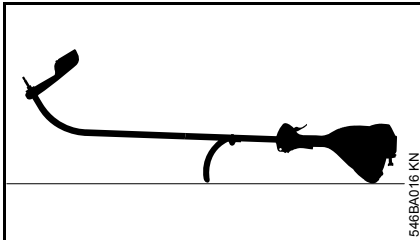
## Mounting the Deflector



- Push the deflector (1) over the clamp (2) as far as stop.
- Insert the nut (3) in the hex recess in the deflector – make sure the holes line up.
- Insert the screw (4) with washer and tighten it down firmly.

## Mounting the Cutting Attachment

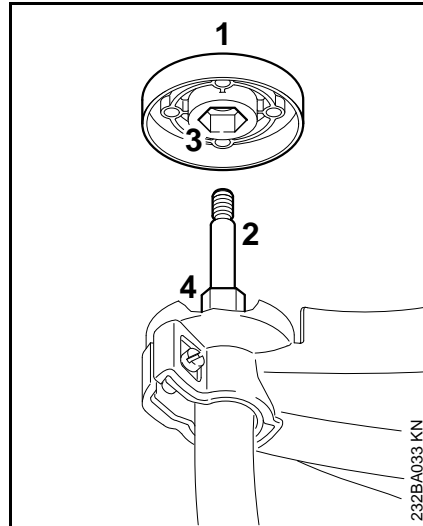
### Placing power tool on the ground



5-46BA016 KN

- Switch off the engine.
- Lay your trimmer on its back with the loop handle and shroud pointing down and the output shaft facing up.

### Thrust Plate



232BA033 KN

The thrust plate (1) is shipped with the DuroCut 5-2 and PolyCut 6-3. It is only required for these mowing heads.

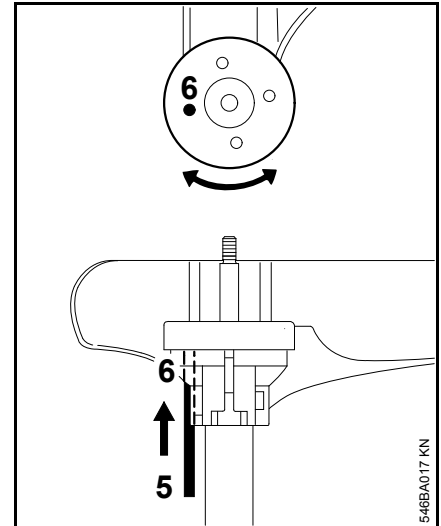
#### STIHL AutoCut 5-2 mowing head, STIHL AutoCut C 5-2 mowing head

- Pull the thrust plate (1), if fitted, off the shaft (2).

#### STIHL PolyCut 5-2 mowing head, STIHL FixCut 6-3 mowing head

- Slip the thrust plate (1) over the shaft (2) and engage the hex recess (3) on the external hexagon (4).

### Blocking the Shaft

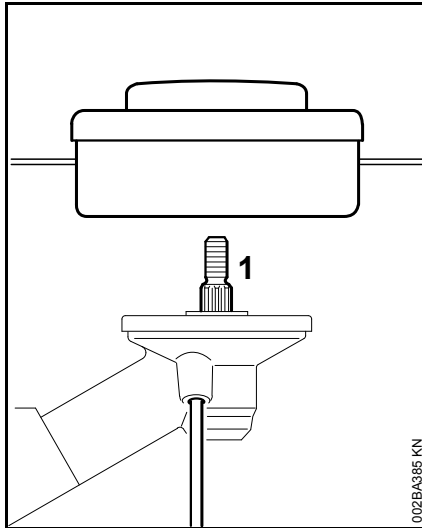


5-46BA017 KN

- To block the shaft, insert a suitable tool (5) through the holes (6) in the deflector and thrust plate – turn the thrust plate back and forth if necessary.

### Fitting the mowing head with screw mounting

Keep the supplement sheet for the mowing head in a safe place.



- Fit the thrust plate
- Turn the mowing head anticlockwise on the shaft (1) as far as it will go
- Retain the shaft
- Tighten the mowing head



**NOTICE**

Remove the tool that was used to block the shaft.

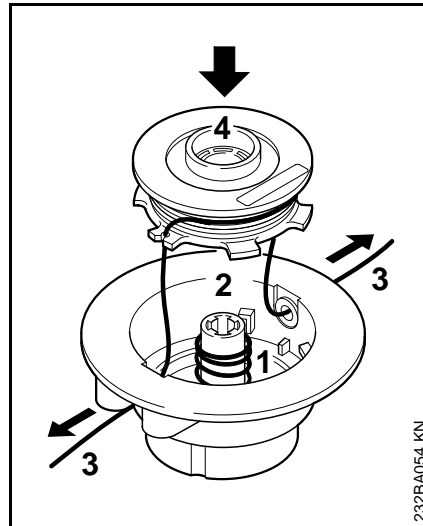
**Removing the Mowing Head**

- Retain the shaft
- Turn the mowing head clockwise

**Fitting Mowing Head without Screw Mounting**

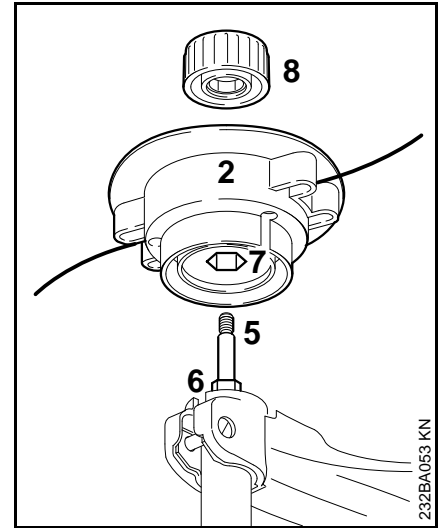
Keep the instruction leaflet for the mowing head in a safe place.

**STIHL AutoCut 5-2**



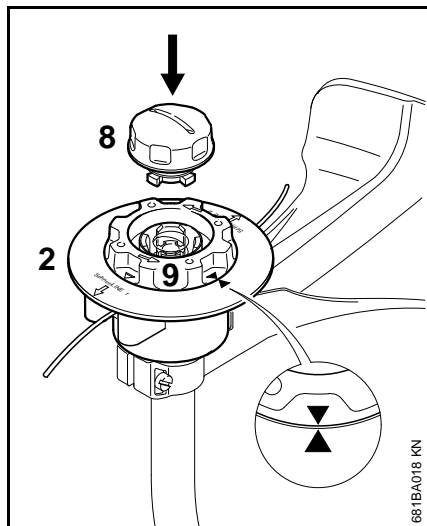
- Fit the spring (1) in the mowing head (2).
- Wind the mowing line (3) on to the spool (4).
- Thread the nylon line through the sleeves and fit the spool in the head.

The individual steps are described in the instruction sheet supplied.



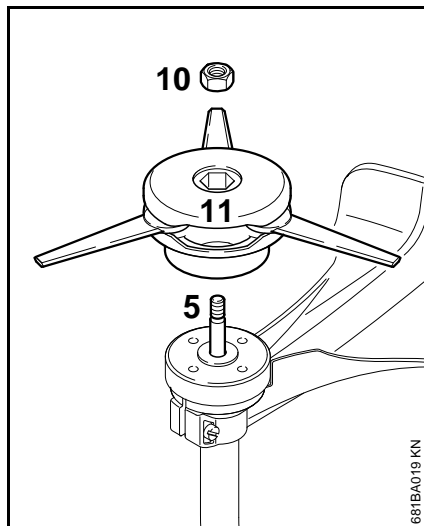
- Slip the mowing head (2) over the shaft (5) and engage hex recess (7) on the external hexagon (6).
- Fit the cap (8) on the mowing head – screw it clockwise on to the shaft as far as stop and tighten it down firmly.

## STIHL AutoCut C 5-2



- Slip the mowing head (2) on to the shaft – as AutoCut 5-2.
- Turn the spool (9) clockwise until the two arrow heads line up – secure the spool in this position.
- Insert the cap (8) in the spool, press it down as far as stop and turn it clockwise at the same time.
- Turn the cap until you feel resistance and then tighten it down firmly by hand.

## STIHL PolyCut 6-3



- Fit the thrust plate on the shaft.
- Insert the nut (10) in the mowing head.
- Screw the mowing head (11) clockwise on to the shaft (5) as far as stop.
- Block the shaft.
- Tighten down the mowing head firmly.

**! WARNING**

If the mounting nut has become too loose, fit a new one.

**⚙ NOTICE**

Remove the tool used to block the shaft.

**Remove the mowing head.**

## STIHL AutoCut

- Hold the mowing head steady.
- Unscrew the cap counterclockwise.

## STIHL PolyCut

- Block the shaft.
- Unscrew the mowing head counterclockwise.

## Fuel

This engine is certified to operate on unleaded gasoline and with the mix ratio 50:1.

Your engine requires a mixture of high-quality premium gasoline and high-quality two-stroke air-cooled engine oil.

Use premium branded unleaded gasoline with a minimum octane rating of 89 (R+M)/2.

Note: Models equipped with a **catalytic converter** require **unleaded** gasoline. A few tankfuls of leaded gasoline can reduce the efficiency of the catalytic converter by more than 50%.

Fuel with a lower octane rating may result in preignition (causing "pinging") which is accompanied by an increase in engine temperature. This, in turn, increases the risk of the piston seizure and damage to the engine.

The chemical composition of the fuel is also important. Some fuel additives not only detrimentally affect elastomers (carburetor diaphragms, oil seals, fuel lines etc.), but magnesium castings as well. This could cause running problems or even damage the engine. For this reason it is essential that you use only high-quality fuels!

Fuels with different percentages of ethanol are being offered. Ethanol can affect the running behaviour of the engine and increase the risk of lean seizure.

Gasoline with an ethanol content of more than 10% can cause running problems and major damage in engines with a manually adjustable carburetor and should not be used in such engines.

Engines equipped with M-Tronic can be run on gasoline with an ethanol content of up to 25% (E25).

Use only STIHL two-stroke engine oil or equivalent high-quality two-stroke air-cooled engine oils for mixing.

We recommend STIHL 50:1 two-stroke engine oil since it is specially formulated for use in STIHL engines.

To ensure the maximum performance of your STIHL engine, use a high quality 2-cycle engine oil. To help your engine run cleaner and reduce harmful carbon deposits, STIHL recommends using STIHL HP Ultra 2-cycle engine oil or ask your dealer for an equivalent fully synthetic 2-cycle engine oil.

To meet the requirements of EPA and CARB we recommend to use STIHL HP Ultra oil.

Do not use BIA or TCW (two-stroke water cooled) mix oils!

Use only **STIHL 50:1 heavy-duty engine oil** or an equivalent quality two-stroke engine oil for the fuel mix in models equipped with a **catalytic converter**.

Take care when handling gasoline. Avoid direct contact with the skin and avoid inhaling fuel vapour.

The canister should be kept tightly closed in order to avoid any moisture getting into the mixture.

The fuel tank and the canister in which fuel mix is stored should be cleaned from time to time.

### Fuel mix ratio

Only mix sufficient fuel for a few days work, not to exceed 30 days of storage. Store in approved safety fuel-canisters only. When mixing, pour oil into the canister first, and then add gasoline.

### Examples

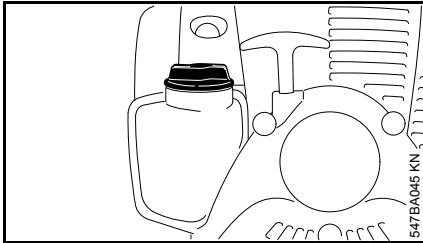
Gasoline	Oil (STIHL 50:1 or equivalent high-quality oils)	
liters	liters	(ml)
1	0.02	(20)
5	0.10	(100)
10	0.20	(200)
15	0.30	(300)
20	0.40	(400)
25	0.50	(500)

Dispose of empty mixing-oil canisters only at authorized disposal locations.



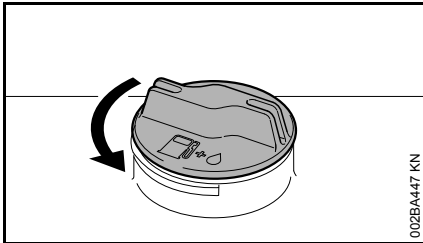
## Fueling

### Preparations



- Before fueling, clean the filler cap and the area around it to ensure that no dirt falls into the tank.
- Position the machine so that the filler cap is facing up.

### Opening screw-type tank cap

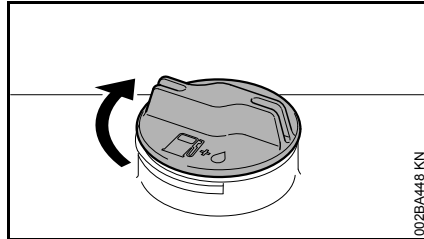


- Turn the cap counterclockwise until it can be removed from the tank opening.
- Remove the cap.

### Filling up with fuel

Take care not to spill fuel while fueling and do not overfill the tank. STIHL recommends you use the STIHL filler nozzle (special accessory).

### Closing screw-type tank cap

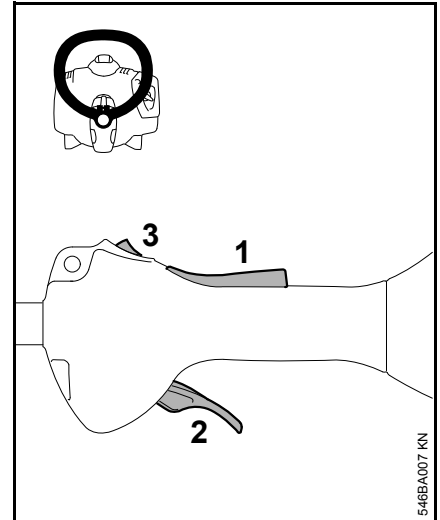


- Place the cap in the opening.
- Turn the cap clockwise as far as stop and tighten it down as firmly as possible by hand.

## Starting / Stopping the Engine

### Controls

#### Version with loop handle

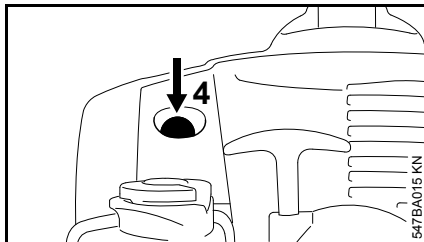


- 1 Throttle trigger lockout
- 2 Throttle trigger
- 3 Stop switch with Run and 0 = Stop positions.

#### Function of stop switch and ignition system

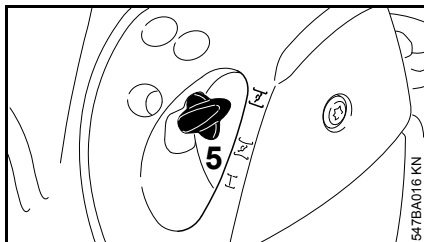
The stop switch is normally in the Run position, i.e. when it is not depressed: The ignition is switched on – the engine is ready to start. If the stop switch is moved to the 0 position, the ignition is switched off. The ignition is switched on again automatically after the engine stops.

## Starting the Engine



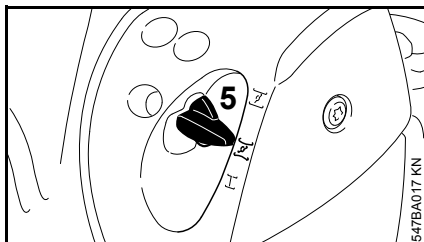
- Press the manual fuel pump bulb (4) at least five times – even if the bulb is filled with fuel.

### Cold engine (cold start)



- Press in the choke lever (5) and turn it to **I** at the same time.

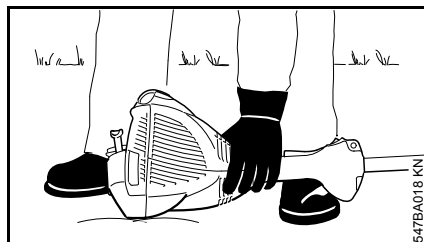
### Warm engine (warm start)



- Press in the choke lever (5) and turn it to **II** at the same time.

Also use this setting if the engine has been running but is still cold.

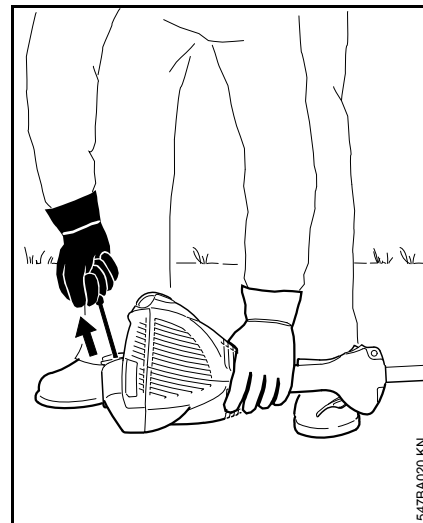
## Cranking



- Place the unit on the ground: It must rest securely on the engine support and the deflector. Check that the cutting attachment is not touching the ground or any other obstacles.
- Make sure you have a safe and secure footing.
- Hold the unit firmly on the ground with your left hand and press down – do not touch the throttle trigger or lockout lever.



Do not stand or kneel on the drive tube.



- Hold the starter grip with your right hand.

### Version without Easy2Start

- Pull the starter grip slowly until you feel it engage and then give it a brisk strong pull.

### Version with Easy2Start

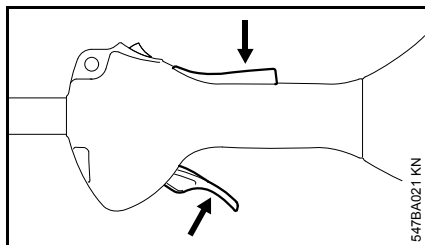
- Pull the starter grip steadily.



Do not pull out the starter rope all the way – it might otherwise break.

- Do not let the starter grip snap back. Guide it slowly back into the housing so that the starter rope can rewind properly.
- Continue cranking until the engine runs.

As soon as the engine runs



- Press down the throttle trigger lockout and open the throttle – the choke lever moves to the run position I. After a cold start, warm up the engine by opening the throttle several times.

### **! WARNING**

Make sure the carburetor is correctly adjusted. The cutting attachment must not rotate when the engine is idling.

Your machine is now ready for operation.

### **Stopping the Engine**

- Move the stop switch in the direction of 0 – the engine stops – release the stop switch – it springs back to the run position.

### **Other Hints on Starting**

**Engine stalls in cold start position  $\overline{\text{I}}$  or under acceleration**

- Move the choke lever to  $\overline{\text{I}}$  and continue cranking until the engine runs.

**Engine does not start in warm start position  $\overline{\text{I}}$**

- Move the choke lever to  $\overline{\text{I}}$  and continue cranking until the engine runs.

**If the engine does not start**

- Check that all settings are correct.
- Check that there is fuel in the tank and refuel if necessary.
- Check that the spark plug boot is properly connected.
- Repeat the starting procedure.

**Engine is flooded**

- Move the choke lever to I and continue cranking until the engine runs.

**Fuel tank run until completely dry**

- After refueling, press the manual fuel pump bulb at least five times – even if the bulb is filled with fuel.
- Set the choke lever to suit the engine temperature.
- Now start the engine.

## **Operating Instructions**

### **During break-in period**

A factory-new machine should not be run at high revs (full throttle off load) for the first three tank fillings. This avoids unnecessary high loads during the break-in period. As all moving parts have to bed in during the break-in period, the frictional resistances in the engine are greater during this period. The engine develops its maximum power after about 5 to 15 tank fillings.

### **During Operation**

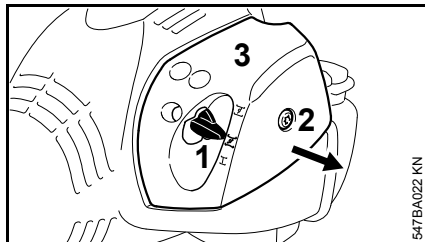
After a long period of full throttle operation, allow the engine to run for a short while at idle speed so that engine heat can be dissipated by the flow of cooling air. This protects engine-mounted components (ignition, carburetor) from thermal overload.

### **After Finishing Work**

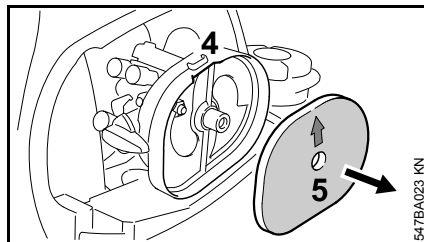
Storing for a short period: Wait for the engine to cool down. Empty the fuel tank and keep the machine in a dry place, well away from sources of ignition, until you need it again. For longer out-of-service periods – see "Storing the Machine".

## Cleaning the Air Filter

If there is a noticeable loss of engine power



- Move the choke lever (1) to  $\overline{\text{E}}$ .
- Turn the screw (2) in the filter cover (3) counterclockwise until the cover is loose.
- Ease the filter cover (3) over the choke lever and lift it away.
- Clean away loose dirt from around the filter.



- Reach into the recess (4) in the filter housing and take out the felt filter (5).
- Fit a new felt filter element (5). As a temporary measure you can knock it out on the palm of your hand or blow it out with compressed air. Do not wash.

### NOTICE

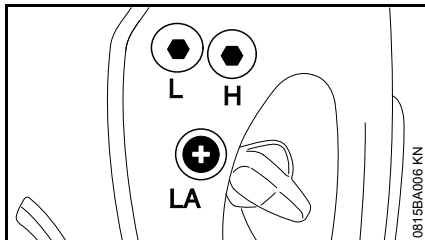
Replace damaged parts.

- Fit the felt filter (5) in the filter housing, make sure it is properly seated – the arrow points to the recess.
- Move the choke lever (1) to  $\overline{\text{E}}$ .
- Fit the filter cover in position, making sure the screw is square. Tighten down the screw.

## Engine Management

Exhaust emissions are controlled by the design of the engine and components (e.g. carburation, ignition, timing and valve or port timing).

## Adjusting the Carburetor



The carburetor has been set at the factory to provide an optimum fuel-air mixture under most operating conditions.

### Adjusting Idle Speed

#### Engine stops while idling

- Warm up the engine for about 3 minutes.
- Turn the idle speed screw (LA) slowly clockwise until the engine runs smoothly – the cutting attachment must not run.

#### Cutting attachment runs when engine is idling

- Turn the idle speed screw (LA) counterclockwise until the cutting attachment stops moving and then rotate the screw another 1/2 to 3/4 turn in the same direction.

### WARNING

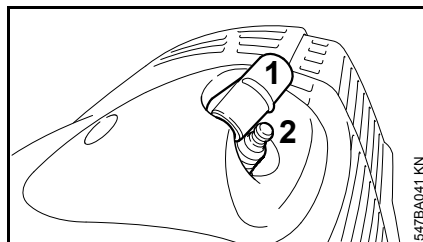
If the cutting attachment continues to run when the engine is idling, have your machine checked and repaired by your servicing dealer.

## Spark Plug

- If the engine is down on power, difficult to start or runs poorly at idle speed, first check the spark plug.
- Fit a new spark plug after about 100 operating hours – or sooner if the electrodes are badly eroded. Install only suppressed spark plugs of the type approved by STIHL – see "Specifications".

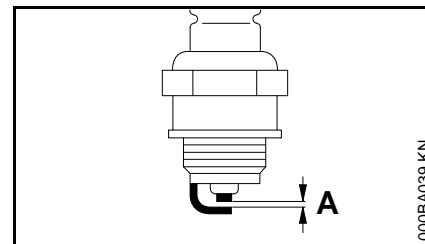
### Removing the Spark Plug

- Shut off the engine.



- Remove the spark plug boot (1).
- Unscrew the spark plug (2).

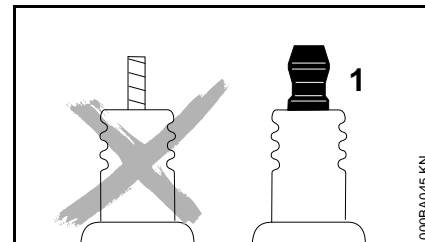
### Checking the Spark Plug



- Clean dirty spark plug.
- Check electrode gap (A) and readjust if necessary – see "Specifications".
- Rectify the problems which have caused fouling of the spark plug.

Possible causes are:

- Too much oil in fuel mix.
- Dirty air filter.
- Unfavorable running conditions.



### WARNING

Arcing may occur if the adapter nut (1) is loose or missing. Working in an easily combustible or explosive atmosphere may cause a fire or an explosion. This can result result in serious injuries or damage to property.

- Use resistor type spark plugs with a properly tightened adapter nut.

### **Installing the Spark Plug**

- Screw the spark plug into the cylinder.
- Press the boot firmly onto the spark plug.

## **Engine Running Behavior**

If engine running behavior is unsatisfactory even though the air filter is clean and the carburetor is properly adjusted, the cause may be the muffler.

Have the muffler checked for contamination (carbonization) by your servicing dealer.

STIHL recommends that you have servicing and repair work carried out exclusively by an authorized STIHL servicing dealer.

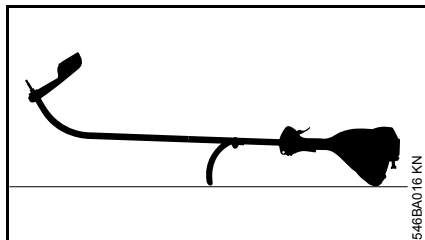
## **Storing the Machine**

For periods of about 3 months or longer

- Drain and clean the fuel tank in a well ventilated area.
- Dispose of fuel properly in accordance with local environmental requirements.
- Run the engine until the carburetor is dry – this helps prevent the carburetor diaphragms sticking together.
- Remove, clean and inspect the cutting attachment. Coat metal cutting attachments with corrosion inhibitor.
- Thoroughly clean the machine – pay special attention to the cylinder fins and air filter.
- Store the machine in a dry and secure location – out of the reach of children and other unauthorized persons.

## Maintaining the Mowing Head

### Placing power tool on the ground



- Switch off the engine.
- Lay your trimmer on its back with the loop handle and shroud pointing down and the output shaft facing up.

### Replacing Nylon Line

Always check the mowing head for signs of wear before replacing the nylon line.

#### **! WARNING**

If there are signs of serious wear, replace the complete mowing head.

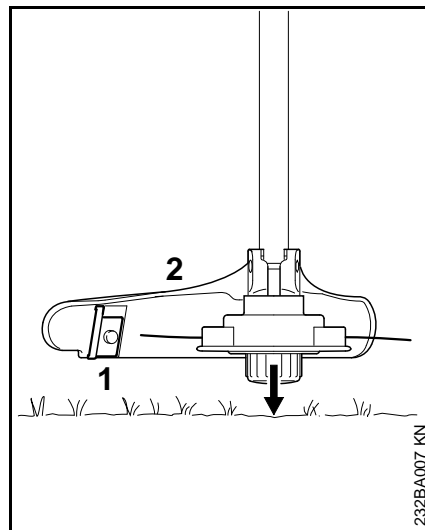
The nylon mowing line is referred to as "nylon line" or "line" in the following.

The mowing head is supplied with illustrated instructions for replacing the nylon line. Keep the instructions for the mowing head in a safe place.

- If necessary, remove the mowing head.

## Adjusting Nylon Line

### STIHL AutoCut



- Hold the rotating mowing head above the ground – tap it on the ground once – about 3 cm (1.2 in) of fresh line is advanced.
- The blade (1) on the deflector (2) trims surplus line to the correct length – avoid tapping the mowing head more than once at a time.

Line feed operates only if **both** lines still have a minimum length of **2.5 cm (1 in)**.

If the line is shorter than 2.5 cm (1 in):

#### **! WARNING**

**To reduce the risk of injury**, always shut off the engine before adjusting the nylon mowing line by hand.

- Turn the machine over.
- Press down the cap on the spool as far as stop.
- Pull the ends of the lines out of the spool.

If the spool is empty, refill with nylon line.

### All other mowing heads

Refer to the leaflet supplied with the mowing head.

#### **! WARNING**

**To reduce the risk of injury**, always shut off the engine before adjusting the nylon mowing line by hand.

### Replacing Nylon Line

#### STIHL DuroCut

#### **! WARNING**

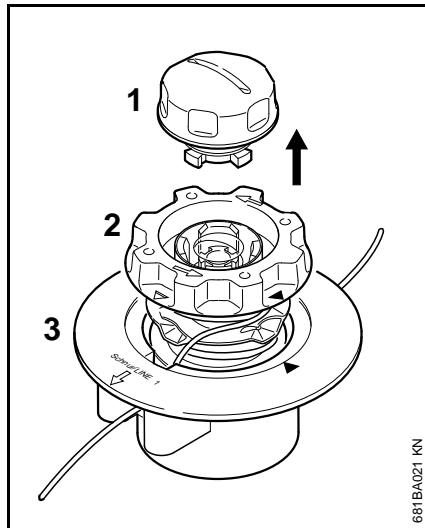
**To reduce the risk of injury**, always shut off the engine before refilling the mowing head.

- Fit nylon line in the mowing head as described in the instructions supplied.

#### STIHL AutoCut C 5-2

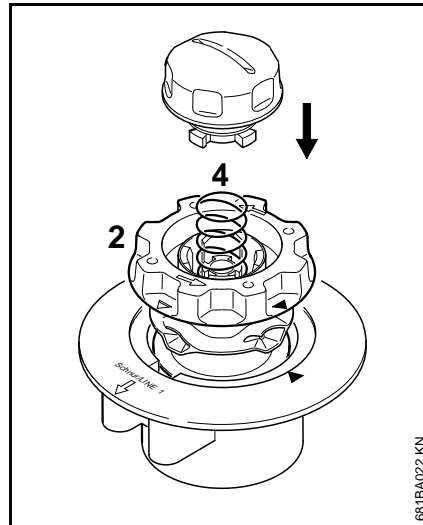
### Disassembling the mowing head and removing remaining nylon line

In normal operation, the supply of nylon line in the head is used up almost completely.



- Hold the mowing head steady and rotate the cap (1) counterclockwise until it can be removed.
- Pull the spool (2) out of the mowing head (3) and remove the remaining line.

### Assembling the mowing head

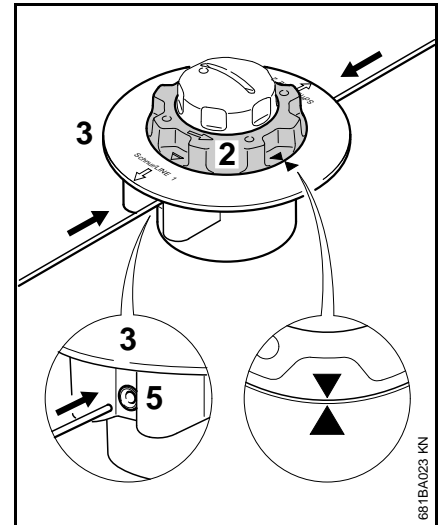


- Fit the empty spool in the mowing head.

If the spring (4) has popped out:

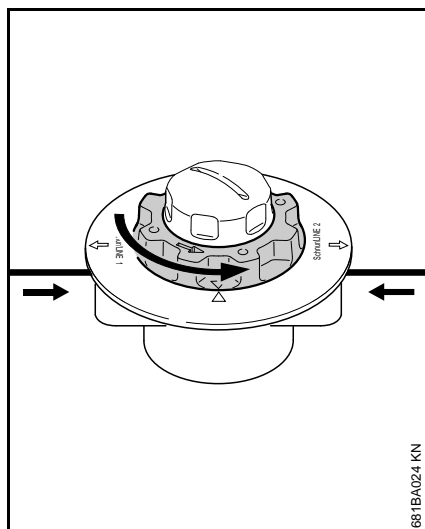
- push it into the spool (2) until it engages in position with an audible click.
- Mount the mowing head – see "Mounting the Mowing Head".

### Winding line onto spool



- Use green-coded nylon line with a diameter of 2 mm (0.08 in).
- Cut two 2 m (6ft 6in) lengths of nylon line from the reel (special accessory).
- Rotate the spool (2) counterclockwise until the two arrow points are in alignment.
- Push the straight end of each line through one of the sleeves (5) in the mowing head (3) until you feel a noticeable resistance – and then continue pushing as far as stop.



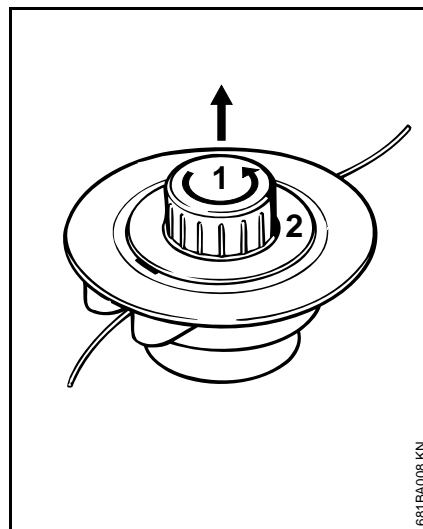


- Hold the mowing head steady.
- Rotate the spool counterclockwise until the shortest line is about 10 cm (4 in).
- If necessary, cut the longer line to a length of about 10 cm (4 in).

The mowing head is now full.

## STIHL AutoCut 5-2

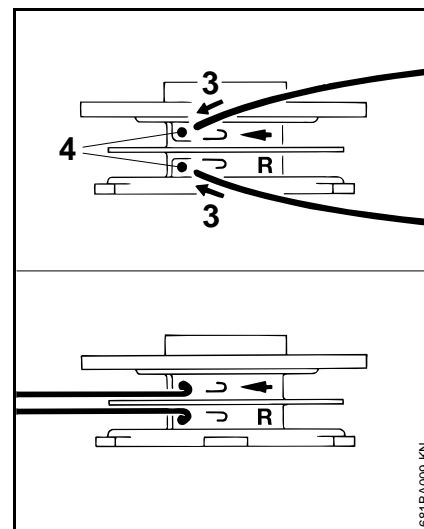
### Removing remaining nylon line



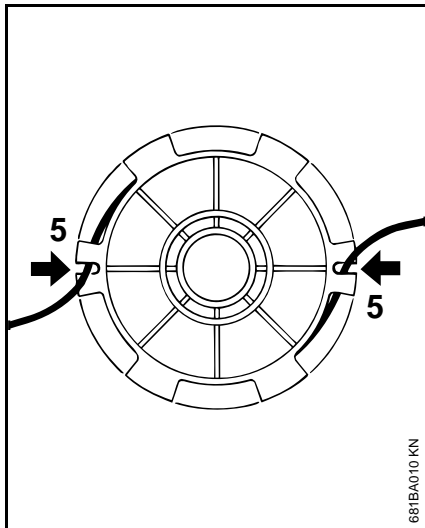
- Open the mowing head – hold it steady with one hand and turn the cap (1) counterclockwise.
- Disengage the spool (2), take it out of the mowing head and remove the remaining line.

### Winding line onto spool

A prewound spool (special accessory) may be used as an alternative to the following procedure.



- Use green-coded nylon line with a diameter of 2.0 mm (0.08 in).
- Cut two 3 m (9ft 9in) lengths of nylon line from the reel (special accessory).
- Insert the ends of each line (3) in the holes (4) in the spool.
- Bend the ends of the lines over the edge of the holes to form a hook.



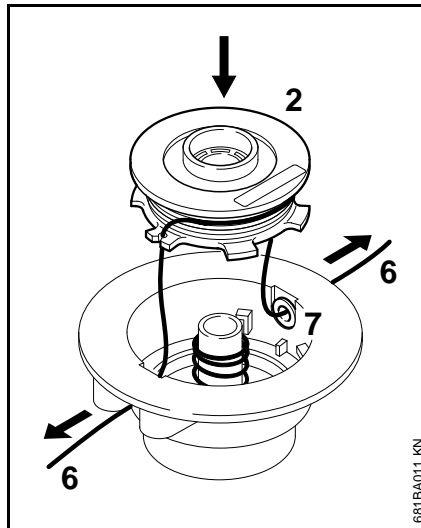
- Straighten out the nylon lines and wind them tightly on to the spool – one nylon line in each chamber.
- Engage the ends of the lines in the notches (2).

#### Assembling the mowing head



#### NOTICE

Check that the spring is installed (see "Mounting the Mowing Head").



- Thread the ends of the lines (6) through the sleeves (7) and push the spool (2) into the head so that it snaps into position.

The nylon lines must disengage from the notches (5) as the spool is pushed into position.

- Pull out the ends of the lines as far as stop.
- Mount the mowing head on the machine.

#### Replacing Cutting Blades

#### STIHL PolyCut

Always check the mowing head for signs of wear before installing new cutting blades.

#### WARNING

If there are signs of serious wear, replace the complete mowing head.

The thermoplastic cutting blades are referred to as "blades" in the following.

The mowing head is supplied with illustrated instructions for replacing the blades. Keep the instructions for the mowing head in a safe place.

#### WARNING

To reduce the risk of injury, always shut off the engine before installing the blades.

- Remove the mowing head.
- Replace blades as shown in the illustrated instructions.
- Mount the mowing head on the machine.

## Inspections and Maintenance by Dealer

### Spark arresting screen in muffler

- If the engine is down on power, check the spark arresting screen in the muffler.

STIHL recommends that you have servicing and repair work carried out exclusively by an authorized STIHL servicing dealer.

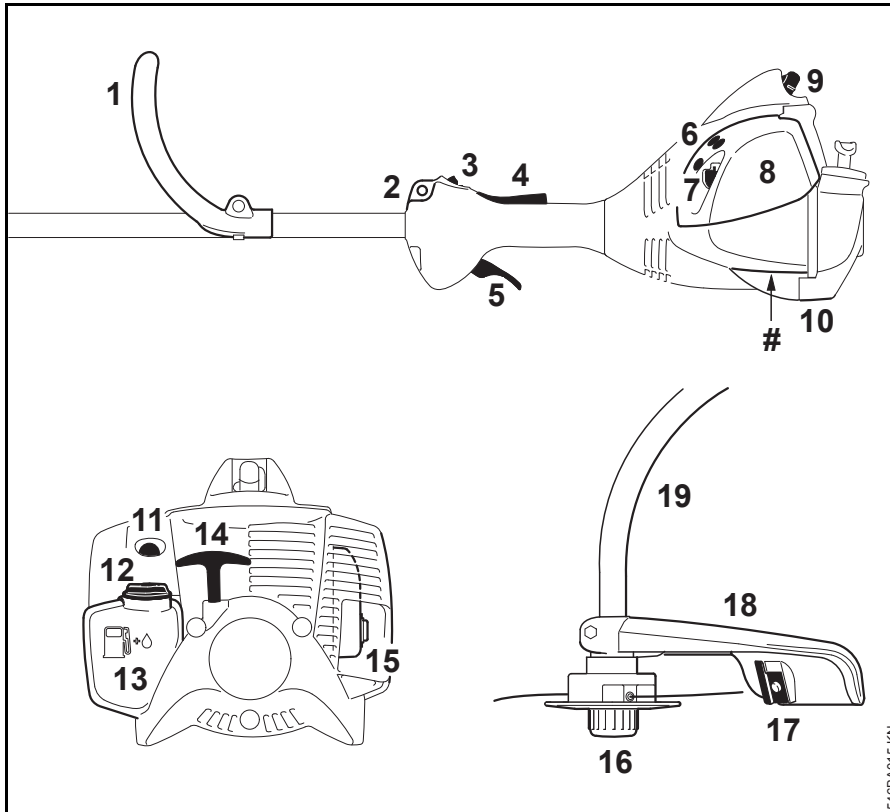
## Maintenance and Care

The following intervals apply to normal operating conditions only. If your daily working time is longer or operating conditions are difficult (very dusty work area, etc.), shorten the specified intervals accordingly.		before starting work	after finishing work or daily	after each refueling stop	weekly	monthly	every 12 months	if problem	if damaged	as required
Complete machine	Visual inspection (condition, leaks)	X		X						
	Clean		X							
Control handle	Check operation	X		X						
Air filter	Clean							X		X
	Replace								X	
Manual fuel pump (if fitted)	Check	X								
	Have repaired by servicing dealer <sup>1)</sup>								X	
Pickup body in fuel tank	Check							X		
	Replace					X			X	X
Fuel tank	Clean							X		X
Carburetor	Check idle adjustment – the cutting attachment must not rotate	X		X						
	Readjust idle									X
Spark plug	Readjust electrode gap							X		
	Replace after every 100 operating hours									
Cooling inlets	Visual inspection		X							
	Clean									X
Spark arresting screen in muffler	Have checked by servicing dealer <sup>1)</sup>							X		
	Have cleaned or replaced by servicing dealer <sup>1)</sup>								X	X
All accessible screws and nuts (not adjusting screws)	Retighten									X

The following intervals apply to normal operating conditions only. If your daily working time is longer or operating conditions are difficult (very dusty work area, etc.), shorten the specified intervals accordingly.		before starting work	after finishing work or daily	after each refueling stop	weekly	monthly	every 12 months	if problem	if damaged	as required
Cutting attachment	Visual inspection	X		X						
	Replace								X	
	Check tightness	X		X						
Safety labels	Replace								X	

1) STIHL recommends an authorized STIHL servicing dealer.

## Main Parts



- 1 Loop Handle
- 2 Carrying Ring
- 3 Stop Switch
- 4 Throttle Trigger Lockout
- 5 Throttle Trigger
- 6 Carburetor Adjusting Screws
- 7 Choke Lever
- 8 Air Filter Cover
- 9 Spark Plug Boot
- 10 Machine Support
- 11 Manual Fuel Pump
- 12 Fuel Filler Cap
- 13 Fuel Tank
- 14 Starter Grip
- 15 Muffler with Spark Arresting Screen
- 16 Mowing Head
- 17 Line Limiting Blade
- 18 Deflector
- 19 Drive Tube
- # Serial Number

546BA015 KN

## Definitions

---

- 1 Loop Handle**  
For easy control of machine during cutting work.
- 2 Carrying Ring**  
Connects the unit to the harness.
- 3 Stop Switch**  
Switches the engine's ignition off and stops the engine.
- 4 Throttle Trigger Lockout**  
Must be depressed before the throttle trigger can be activated.
- 5 Throttle Trigger**  
Controls the speed of the engine.
- 6 Carburetor Adjusting Screws**  
For tuning the carburetor.
- 7 Choke Lever**  
Eases engine starting by enriching mixture.
- 8 Air Filter Cover**  
Covers and protects the air filter element.
- 9 Spark Plug Boot**  
Connects the spark plug with the ignition lead.
- 10 Machine Support**  
For resting machine on the ground.
- 11 Manual Fuel Pump**  
Provides additional fuel feed for a cold start.
- 12 Fuel Filler Cap**  
For closing the fuel tank.
- 13 Fuel Tank**  
For fuel and oil mixture.

- 14 Starter Grip**  
The grip of the pull starter, for starting the engine.
- 15 Muffler with Spark Arresting Screen**  
Muffler reduces exhaust noises and diverts exhaust gases away from operator.  
Spark arresting screen is designed to reduce the risk of fire.
- 16 Mowing Head**  
The cutting attachment, i.e. mowing head, for different purposes.
- 17 Line Limiting Blade**  
Metal blade on the deflector which keeps the line of the mowing head at the proper length.
- 18 Deflector**  
Designed to reduce the risk of injury from foreign objects flung backwards toward the operator by the cutting attachment and from contact with the cutting attachment.
- 19 Drive Tube**  
Encloses and protects the drive shaft between the engine and bearing housing.

## Specifications

### EPA / CEPA

---

The Emission Compliance Period referred to on the Emissions Compliance Label indicates the number of operating hours for which the engine has been shown to meet Federal emission requirements.

Category

A = 300 hours

B = 125 hours

C = 50 hours

### Engine

---

STIHL single cylinder two-stroke engine

#### FS 40, FS 40 C

Displacement:	27.2 cc
Bore:	34 mm
Stroke:	30 mm
Engine power to ISO 8893:	0.7 kW at 8,500 rpm
Idle speed:	2,800 rpm
Cut-off speed (rated):	10,000 rpm
Max. output shaft speed (cutting attachment):	10,600 rpm

#### FS 50, FS 50 C

Displacement:	27.2 cc
Bore:	34 mm
Stroke:	30 mm

Engine power to ISO 8893:	0.8 kW at 8,500 rpm
Idle speed:	2,800 rpm
Cut-off speed (rated):	10,000 rpm
Max. output shaft speed (cutting attachment):	10,600 rpm

### Ignition system

Electronic magneto ignition

Spark plug (resistor type):	NGK CMR 6 H
Electrode gap:	0.5 mm

This spark ignition system meets all requirements of the Canadian Interference-Causing Equipment Standard CAN ICES-2/NMB-2.

### Fuel System

All position diaphragm carburetor with integral fuel pump

Fuel tank capacity:	340 cc (0.34 l)
---------------------	-----------------

### Weight

Dry, without cutting attachment and deflector

FS 40:	4.4 kg
FS 50:	4.4 kg
FS 50 with long shaft:	4.5 kg
FS 40 C with Easy2Start:	4.5 kg
FS 50 C with Easy2Start:	4.5 kg
FS 50 C with Easy2Start and long shaft:	4.6 kg

### Overall length

without cutting attachment

FS 40:	1450 mm
FS 40 C:	1450 mm
FS 50:	1450 mm
FS 50 C:	1450 mm
FS 50 with long shaft:	1650 mm
FS 50 C with long shaft:	1650 mm


## Maintenance and Repairs

Users of this machine may only carry out the maintenance and service work described in this user manual. All other repairs must be carried out by a servicing dealer.

STIHL recommends that you have servicing and repair work carried out exclusively by an authorized STIHL servicing dealer. STIHL dealers are regularly given the opportunity to attend training courses and are supplied with the necessary technical information.

When repairing the machine, only use replacement parts which have been approved by STIHL for this power tool or are technically identical. Only use high-quality replacement parts in order to avoid the risk of accidents and damage to the machine.

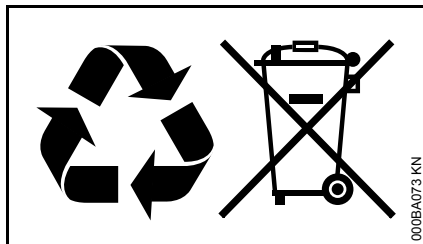
STIHL recommends the use of original STIHL replacement parts.

Original STIHL parts can be identified by the STIHL part number, the **STIHL** logo and the STIHL parts symbol  (the symbol may appear alone on small parts).



## Disposal

Observe all country-specific waste disposal rules and regulations.



STIHL products must not be thrown in the garbage can. Take the product, accessories and packaging to an approved disposal site for environment-friendly recycling.

Contact your STIHL servicing dealer for the latest information on waste disposal.

## STIHL Limited Emission Control Warranty Statement

**This statement is given voluntarily, based on the MOU (Memorandum of Understanding) as agreed in April 1999 between Environmental Canada and STIHL Limited**

### Your Warranty Rights and Obligations

STIHL Limited is pleased to explain the Emission Control System Warranty on your equipment type engine. In Canada new 1999 and later model year small off-road equipment engines must be designed, built and equipped, at the time of sale, to meet the U.S. EPA regulations for small non road engines. The equipment engine must be free from defects in materials and workmanship which cause it to fail to conform with U.S. EPA standards for the first two years of engine use from the date of sale to the ultimate purchaser.

STIHL Limited must warrant the emission control system on your small off-road engine for the period of time listed below provided there has been no abuse, neglect or improper maintenance of your small off-road equipment engine.

Your emissions control system may include parts such as the carburetor or fuel-injection system, the ignition system, and catalytic converter. Also included may be hoses, belts, connectors or other emission-related assemblies.

Where a warrantable condition exists, STIHL Limited will repair your small off-road equipment engine at no cost to you,

including diagnosis (if the diagnostic work is performed at an authorized dealer), parts, and labor.

### Manufacturer's Warranty Coverage

In Canada 1999 and later model year small off-road equipment engines are warranted for two years. If any emission-related part on your engine is defective, the part will be repaired or replaced by STIHL Limited free of charge.

### Owner's Warranty Responsibilities:

As the small off-road equipment engine owner, you are responsible for the performance of the required maintenance listed in your instruction manual. STIHL Limited recommends that you retain all receipts covering maintenance on your small off-road equipment engine, but STIHL Limited cannot deny warranty solely for the lack of receipts or for your failure to ensure the performance of all scheduled maintenance.

Any replacement part or service that is equivalent in performance and durability may be used in non-warranty maintenance or repairs, and shall not reduce the warranty obligations of the engine manufacturer.

As the small off-road equipment engine owner, you should be aware, however, that STIHL Limited may deny you warranty coverage if your small off-road equipment engine or a part has failed due to abuse, neglect, improper maintenance or unapproved modifications.

You are responsible for presenting your small off-road equipment engine to a STIHL service center as soon as a

problem exists. The warranty repairs will be completed in a reasonable amount of time, not to exceed 30 days.

If you have any questions regarding your warranty rights and responsibilities, please contact a STIHL customer service representative at [www.stihl.ca](http://www.stihl.ca)

or you can write to:

STIHL Ltd.,  
1515 Sise Road  
Box 5666  
CA-LONDON ONTARIO; N6A 4L6

### **Coverage by STIHL Limited**

STIHL Limited warrants to the ultimate purchaser and each subsequent purchaser that your small off-road equipment engine will be designed, built and equipped, at the time of sale, to meet all applicable regulations. STIHL Limited also warrants to the initial purchaser and each subsequent purchaser that your engine is free from defects in materials and workmanship which cause the engine to fail to conform with applicable regulations for a period of two years.

### **Warranty Period**

The warranty period will begin on the date the utility equipment engine is purchased by the initial purchaser and you have signed and sent back the warranty card to STIHL Ltd. If any emission-related part on your engine is defective, the part will be replaced by STIHL Limited at no cost to the owner. Any warranted part which is not scheduled for replacement as required maintenance, or which is scheduled only for regular inspection to the effect of "repair or replace as necessary" will be warranted for the warranty period. Any

warranted part which is scheduled for replacement as required maintenance will be warranted for the period of time up to the first scheduled replacement point for that part.

### **Diagnosis**

You, as the owner, shall not be charged for diagnostic labor which leads to the determination that a warranted part is defective. However, if you claim warranty for a component and the machine is tested as non-defective, STIHL Limited will charge you for the cost of the emission test. Mechanical diagnostic work will be performed at an authorized STIHL servicing dealer. Emission test may be performed either at

STIHL Incorporated,  
536 Viking Drive, P.O. Box 2015,  
Virginia Beach, VA 23452

or at any independent test laboratory.

### **Warranty Work**

STIHL Limited shall remedy warranty defects at any authorized STIHL servicing dealer or warranty station. Any such work shall be free of charge to the owner if it is determined that a warranted part is defective. Any manufacturer-approved or equivalent replacement part may be used for any warranty maintenance or repairs on emission-related parts and must be provided without charge to the owner. STIHL Limited is liable for damages to other engine components caused by the failure of a warranted part still under warranty.

The following list specifically defines the emission-related warranted parts:

- Air Filter
- Carburetor (if applicable)
- Fuel Pump
- Choke (Cold Start Enrichment System) (if applicable)
- Control Linkages
- Intake Manifold
- Magneto or Electronic Ignition System (Ignition Module or Electronic Control Unit)
- Fly Wheel
- Spark Plug
- Injection Valve (if applicable)
- Injection Pump (if applicable)
- Throttle Housing (if applicable)
- Cylinder
- Muffler
- Catalytic Converter (if applicable)
- Fuel Tank
- Fuel Cap
- Fuel Line
- Fuel Line Fittings
- Clamps
- Fasteners

### **Where to make a Claim for Warranty Service**

Bring the product to any authorized STIHL servicing dealer and present the signed warranty card.

## **Maintenance Requirements**

The maintenance instructions in this manual are based on the application of the recommended 2-stroke fuel-oil mixture (see also instruction "Fuel"). Deviations from this recommendation regarding quality and mixing ratio of fuel and oil may require shorter maintenance intervals.

## **Limitations**

This Emission Control Systems Warranty shall not cover any of the following:

1. repair or replacement required because of misuse, neglect or lack of required maintenance
2. repairs improperly performed or replacements not conforming to STIHL Limited specifications that adversely affect performance and/or durability, and alterations or modifications not recommended or approved in writing by STIHL Limited
3. replacement of parts and other services and adjustments necessary for required maintenance at and after the first scheduled replacement point

## Table des matières

Indications concernant la présente Notice d'emploi	35
Prescriptions de sécurité et techniques de travail	35
Combinaisons autorisées d'outil de coupe, de capot protecteur, de poignée et de harnais	43
Montage de la poignée circulaire	44
Montage des dispositifs de sécurité	44
Montage de l'outil de coupe	45
Carburant	48
Ravitaillement en carburant	49
Mise en route / arrêt du moteur	50
Instructions de service	52
Nettoyage du filtre à air	53
Gestion moteur	53
Réglage du carburateur	54
Bougie	54
Fonctionnement du moteur	55
Rangement	56
Entretien de la tête faucheuse	56
Contrôle et maintenance par le revendeur spécialisé	60
Instructions pour la maintenance et l'entretien	61
Principales pièces	63
Caractéristiques techniques	64
Instructions pour les réparations	65
Mise au rebut	66
Garantie de la Société STIHL Limited relative au système antipollution	66

Chère cliente, cher client,

nous vous félicitons d'avoir choisi un produit de qualité de la société STIHL.

Ce produit a été fabriqué avec les procédés les plus modernes et les méthodes de surveillance de qualité les plus évoluées. Nous mettons tout en œuvre pour que cette machine vous assure les meilleurs services, de telle sorte que vous puissiez en être parfaitement satisfait.

Pour toute question concernant cette machine, veuillez vous adresser à votre revendeur ou directement à l'importateur de votre pays.



Dr. Nikolas Stihl

# STIHL

La présente Notice d'emploi est protégée par des droits d'auteur. Tous droits réservés, en particulier tout droit de copie, de traduction et de traitement avec des systèmes électroniques quelconques.

## Indications concernant la présente Notice d'emploi

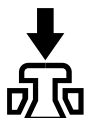
### Pictogrammes

Les pictogrammes appliqués sur la machine sont expliqués dans la présente Notice d'emploi.

Suivant la machine et son équipement spécifique, les pictogrammes suivants peuvent y être appliqués.



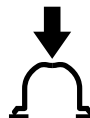
Réservoir à carburant ; mélange d'essence et d'huile moteur



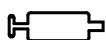
Actionner la soupape de décompression



Pompe d'amorçage manuelle



Actionner la pompe d'amorçage manuelle



Tube de graisse



Canalisation de l'air aspiré : utilisation en été



Canalisation de l'air aspiré : utilisation en hiver



Chauffage de poignées

### Repérage des différents types de textes



#### AVERTISSEMENT

Avertissement contre un risque d'accident et de blessure ainsi que de graves dégâts matériels.



#### AVIS

Avertissement contre un risque de détérioration de la machine ou de certains composants.

### Développement technique

La philosophie de STIHL consiste à poursuivre le développement continu de toutes ses machines et de tous ses dispositifs ; c'est pourquoi nous devons nous réserver tout droit de modification de nos produits, en ce qui concerne la forme, la technique et les équipements.

On ne pourra donc en aucun cas se prévaloir des indications et illustrations de la présente Notice d'emploi à l'appui de revendications quelconques.

## Prescriptions de sécurité et techniques de travail



En travaillant avec cette machine, il faut respecter des prescriptions de sécurité particulières, parce que l'outil de coupe tourne à très haute vitesse.



Avant la première mise en service, lire attentivement et intégralement la présente Notice d'emploi. La conserver précieusement pour pouvoir la relire lors d'une utilisation ultérieure. Un utilisateur qui ne respecte pas les instructions de la Notice d'emploi risque de causer un accident grave, voire mortel.

Respecter les prescriptions de sécurité nationales spécifiques publiées par ex. par les caisses professionnelles d'assurances mutuelles, caisses de sécurité sociale, services pour la protection du travail et autres organismes compétents.

Une personne qui travaille pour la première fois avec cette machine doit demander au vendeur ou à une autre personne compétente de lui montrer comment l'utiliser en toute sécurité – ou participer à un stage de formation.

Les jeunes encore mineurs ne sont pas autorisés à travailler avec cette machine – une seule exception est permise pour des apprentis de plus de 16 ans travaillant sous surveillance.

Veiller à ce que des spectateurs éventuels, en particulier des enfants, ou des animaux restent à une distance suffisante.

Lorsque la machine n'est pas utilisée, la ranger en veillant à ce qu'elle ne présente aucun danger pour d'autres personnes. Conserver la machine à un endroit adéquat, de telle sorte qu'elle ne puisse pas être utilisée sans autorisation.

L'utilisateur est responsable des blessures qui pourraient être infligées à d'autres personnes, de même que des dégâts matériels causés à autrui.

Ne confier la machine qu'à des personnes familiarisées avec ce modèle et sa manipulation – et toujours y joindre la Notice d'emploi.

Le cas échéant, tenir compte des prescriptions nationales et des réglementations locales qui précisent les créneaux horaires à respecter pour le travail avec des dispositifs à moteur bruyants.

L'utilisateur de la machine doit être reposé, en bonne santé et en bonne condition physique. Il est conseillé à toute personne qui ne doit pas se fatiguer pour des raisons de santé de consulter son médecin pour savoir si l'utilisation d'un dispositif à moteur ne présente aucun risque.

Uniquement pour les personnes qui portent un stimulateur cardiaque : le système d'allumage de cette machine engendre un champ électromagnétique de très faible intensité. Une influence sur certains types de stimulateurs cardiaques ne peut pas être totalement exclue. Afin d'écartier tout risque pour la

santé, STIHL recommande aux personnes portant un stimulateur cardiaque de consulter leur médecin traitant et le fabricant du stimulateur cardiaque.

Il est interdit de travailler avec la machine après avoir consommé de l'alcool ou de la drogue ou bien après avoir pris des médicaments qui risquent d'affecter la réactivité.

Utiliser la machine – suivant les outils de coupe assignés – exclusivement pour faucher de l'herbe ou couper des plantes sauvages etc.

L'utilisation de cette machine pour d'autres travaux est interdite et pourrait provoquer des accidents ou endommager la machine. N'apporter aucune modification à ce produit – cela aussi pourrait causer des accidents ou endommager la machine.

Monter exclusivement des outils de coupe ou accessoires autorisés par STIHL pour cette machine, ou des pièces similaires du point de vue technique. Pour toute question à ce sujet, s'adresser à un revendeur spécialisé. Utiliser exclusivement des outils ou accessoires de haute qualité. Sinon, des accidents pourraient survenir ou la machine risquerait d'être endommagée.

STIHL recommande d'utiliser des outils et accessoires d'origine STIHL. Leurs propriétés sont adaptées de manière optimale au produit et aux exigences de l'utilisateur.

Le capot protecteur de la machine ne peut pas protéger l'utilisateur contre tous les objets (pierres, morceaux de

verre ou de fil de fer etc.) projetés par l'outil de coupe. Ces objets peuvent ricocher et toucher l'utilisateur.

## **Vêtements et équipements**

Porter des vêtements et équipements de protection réglementaires.



Les vêtements doivent être appropriés et ne doivent pas être gênants. Porter des vêtements bien ajustés – une combinaison, mais pas une blouse de travail.

Ne pas porter des vêtements qui risqueraient de se prendre dans le bois, les broussailles ou les pièces en mouvement de la machine. Ne pas non plus porter d'écharpe, de cravate ou de bijoux. Les personnes aux cheveux longs doivent les nouer et les assurer de telle sorte qu'ils soient maintenus au-dessus des épaules.



Porter des chaussures robustes, à semelle crantée antidérapante.

## **AVERTISSEMENT**



Pour réduire le risque de blessure oculaire, porter des lunettes de protection couvrant étroitement les yeux et conformes à la norme EN 166. Veiller à ce que les lunettes de protection soient bien ajustées.

Porter une visière pour la protection du visage et veiller à ce qu'elle soit bien ajustée. La visière à elle seule n'est pas une protection suffisante des yeux.

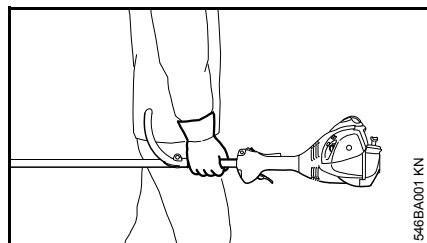
Porter un dispositif antibruit « personnel » – par ex. des capsules protège-oreilles.



Porter des gants de travail robustes en matériau résistant (par ex. en cuir).

STIHL propose une gamme complète d'équipements pour la protection individuelle.

### Transport de la machine



Toujours arrêter le moteur.

Porter la machine par le tube ou la poignée circulaire, de telle sorte qu'elle soit bien équilibrée.

Pour le transport dans un véhicule : assurer la machine de telle sorte qu'elle ne risque pas de se renverser, d'être endommagée ou de perdre du carburant.

### Ravitaillement



**L'essence est un carburant extrêmement inflammable** – rester à une distance suffisante de toute flamme ou source d'inflammation – ne pas renverser du carburant – ne pas fumer.

Arrêter le moteur avant de refaire le plein.

Ne pas refaire le plein tant que le moteur est très chaud – du carburant peut déborder – **risque d'incendie !**

Ouvrir prudemment le bouchon du réservoir à carburant, afin que la surpression interne s'échappe lentement et que du carburant ne soit pas éjecté.

Faire le plein exclusivement à un endroit bien aéré. Si l'on a renversé du carburant, essuyer immédiatement la machine. Ne pas se renverser du carburant sur les vêtements – le cas échéant, se changer immédiatement.





Après le ravitaillement, le bouchon du réservoir doit être serré le plus fermement possible.

Cela réduit le risque de desserrage du bouchon du réservoir sous l'effet des vibrations du moteur, et de fuite de carburant.

S'assurer que la machine ne présente pas de fuite – si l'on constate une fuite de carburant, ne pas mettre le moteur en marche – **danger de mort par suite de brûlures !**

### Avant la mise en route du moteur

S'assurer que la machine se trouve en parfait état pour un fonctionnement en toute sécurité – conformément aux indications des chapitres correspondants de la Notice d'emploi :

- Contrôler l'étanchéité du système d'alimentation en carburant, en examinant tout particulièrement les pièces visibles telles que le bouchon du réservoir, les raccords de flexibles, la pompe d'amorçage manuelle (seulement sur les machines munies d'une pompe d'amorçage manuelle). Ne pas démarrer le moteur en cas de manque d'étanchéité ou d'endommagement – **risque d'incendie !** Avant de remettre la machine en service, la faire contrôler par le revendeur spécialisé.
- Utiliser exclusivement la combinaison autorisée d'outil de coupe, de capot protecteur, de poignée et de harnais ; toutes les pièces doivent être montées impeccablement. Ne pas utiliser d'outils de coupe métalliques – **risque de blessure !**
- Le bouton d'arrêt doit pouvoir être facilement actionné en direction de 0.
- Le levier de starter, le blocage de gâchette d'accélérateur et la gâchette d'accélérateur doivent fonctionner facilement – la gâchette d'accélérateur doit revenir automatiquement en position de ralenti, sous l'effet de son ressort. En partant des positions  et .

du levier de starter, ce levier doit revenir dans la position de marche normale I, sous l'effet de son ressort, lorsqu'on enfonce la gâchette d'accélérateur à fond.

- Contrôler le serrage du contact de câble d'allumage sur la bougie – un contact desserré peut provoquer un jaillissement d'étincelles risquant d'enflammer le mélange carburé qui aurait pu s'échapper – **risque d'incendie !**
- Outil de coupe : monté correctement, bien serré et dans un état impeccable.
- Contrôler si les dispositifs de protection (par ex. le capot protecteur de l'outil de coupe) ne sont pas endommagés ou usés. Remplacer les pièces endommagées. Il est interdit d'utiliser la machine avec un capot protecteur endommagé.
- N'apporter aucune modification aux dispositifs de commande et de sécurité.
- Les poignées doivent être propres et sèches, sans huile ni autres salissures – un point très important pour que l'on puisse manier la machine en toute sécurité.
- Ajuster le harnais et la poignée (les poignées) suivant la taille de l'utilisateur.

Il est interdit d'utiliser la machine si elle ne se trouve pas en parfait état de fonctionnement – **risque d'accident !**

Pour parer à toute éventualité, à l'utilisation d'un harnais : s'entraîner pour savoir se dégager rapidement de la

machine. Lors de cet exercice, ne pas jeter la machine sur le sol, pour ne pas risquer de l'endommager.

### Mise en route du moteur

Aller au moins à 3 mètres du lieu où l'on a fait le plein – et ne pas lancer le moteur dans un local fermé.

Pour lancer le moteur, il faut impérativement se tenir bien d'aplomb, sur une aire stable et plane – l'outil de coupe ne doit entrer en contact ni avec le sol, ni avec un objet quelconque, car il peut déjà être entraîné au démarrage du moteur.

La machine doit être maniée par une seule personne – ne pas tolérer la présence d'autres personnes dans un rayon de 15 m – pas même à la mise en route du moteur – **risque de blessure** par des objets projetés !



Éviter tout contact avec l'outil de coupe – **risque de blessure !**

Ne pas lancer le moteur en tenant la machine à bout de bras – pour la mise en route du moteur, procéder comme décrit dans la Notice d'emploi.



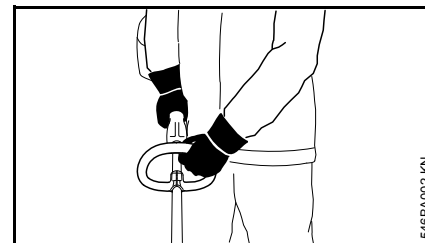
Lorsqu'on relâche la gâchette d'accélérateur, l'outil de coupe tourne encore pendant quelques instants – **par inertie !**

Contrôler le ralenti du moteur : au ralenti – avec gâchette d'accélérateur relâchée – l'outil de coupe doit être arrêté.

Écarter toute matière aisément inflammable (par ex. copeaux, morceaux d'écorce, herbe sèche, carburant) du flux des gaz d'échappement et du silencieux très chauds – **risque d'incendie !**

### Maintien et guidage de la machine

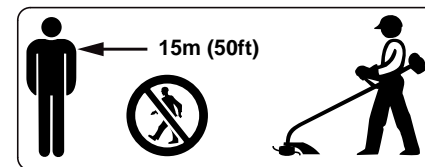
Toujours tenir fermement la machine par les poignées, à deux mains. Toujours se tenir dans une position stable et sûre.



Tenir la poignée circulaire de la main gauche et la poignée de commande de la main droite – ceci est également valable pour les gauchers.

### Pendant le travail

En cas d'urgence ou de danger imminent, arrêter immédiatement le moteur – actionner le bouton d'arrêt en direction de 0.





La machine peut projeter des objets à une grande distance de l'aire de travail. C'est pourquoi, à part l'utilisateur, personne ne doit se trouver dans un rayon de 15 m de la machine en marche. Respecter aussi cette distance par rapport à des véhicules, des vitres etc. – **risque de dégâts matériels !** Même à une distance de plus de 15 m, des objets projetés peuvent encore présenter des risques.

Veiller à ce que le ralenti soit correctement réglé – de telle sorte qu'après le relâchement de la gâchette d'accélérateur l'outil de coupe ne tourne plus.

Contrôler régulièrement et rectifier si nécessaire le réglage du ralenti. Si l'outil de coupe tourne au ralenti, malgré un réglage correct, faire réparer la machine par le revendeur spécialisé. STIHL recommande de s'adresser au revendeur spécialisé STIHL.

Faire particulièrement attention sur un sol glissant – mouillé ou couvert de neige – de même qu'en travaillant à flanc de coteau ou sur un sol inégal etc. – **risque de dérapage !**

Faire attention aux obstacles : souches d'arbres, racines – **pour ne pas risquer de trébucher !**

Toujours se tenir dans une position stable et sûre.

Travailler seulement depuis le sol, ne jamais monter sur un échafaudage instable – jamais sur une échelle ou une nacelle élévatrice.

En travaillant avec des protège-oreilles, il faut faire tout particulièrement attention – parce que des bruits

signalant un danger (cris, signaux sonores etc.) sont moins bien perceptibles.

Faire des pauses à temps pour ne pas risquer d'atteindre un état de fatigue ou d'épuisement qui pourrait **entraîner un accident !**

Travailler calmement, de manière bien réfléchie – seulement dans de bonnes conditions de visibilité et d'éclairage. Prendre les précautions utiles pour exclure le risque de blesser d'autres personnes.



Dès que le moteur est en marche, il dégage des gaz d'échappement toxiques. Ces gaz peuvent être inodores et invisibles, et renfermer des hydrocarbures et du benzène imbrûlés. Ne jamais travailler avec cette machine dans des locaux fermés ou mal aérés – pas non plus si le moteur est équipé d'un catalyseur.

En travaillant dans des fossés, des dépressions de terrain ou des espaces restreints, toujours prendre soin d'assurer une ventilation suffisante – **danger de mort par intoxication !**


En cas de nausée, de maux de tête, de troubles de la vue (par ex. rétrécissement du champ de vision) ou de l'ouïe, de vertige ou de manque de concentration croissant, arrêter immédiatement le travail – ces symptômes peuvent, entre autres, provenir d'une trop forte concentration de gaz d'échappement dans l'air ambiant – **risque d'accident !**

Éviter les émissions de bruits et de gaz d'échappement inutiles. Ne pas laisser le moteur en marche lorsque la machine n'est pas utilisée – accélérer seulement pour travailler.

**Ne pas fumer** en travaillant ou à proximité de la machine – **risque d'incendie !** – des vapeurs d'essence inflammables peuvent s'échapper du système d'alimentation en carburant.

Les poussières, les vapeurs et les fumées dégagées au cours du travail peuvent nuire à la santé. En cas de fort dégagement de poussière ou de fumée, porter un masque respiratoire.

Si la machine a été soumise à des sollicitations sortant du cadre de l'utilisation normale (par ex. si elle a été soumise à des efforts violents, en cas de choc ou de chute), avant de la remettre en marche, il faut impérativement s'assurer qu'elle se trouve en parfait état de fonctionnement – voir également « Avant la mise en route du moteur ». Contrôler tout particulièrement l'étanchéité du système de carburant et la fiabilité des dispositifs de sécurité. Il ne faut en aucun cas continuer d'utiliser la machine si la sécurité de son fonctionnement n'est pas garantie. En cas de doute, consulter le revendeur spécialisé.

Ne pas travailler avec le levier du volet de starter en position de démarrage à chaud  – avec ce réglage, il est impossible de régler le régime du moteur.



Ne jamais travailler sans le capot protecteur qui convient pour la machine et l'outil de coupe utilisé – **risque de blessure par des objets projetés !**



Examiner le terrain : des objets durs – pierres, morceaux de métal ou autres – peuvent être projetés au loin – même à plus de 15 m – **risque de blessure !** – et risquent d'endommager l'outil de coupe ou de causer des dégâts matériels (par ex. sur des véhicules garés, vitres etc.).



Il faut prendre des précautions particulières en travaillant sur des terrains difficiles, à végétation dense.

En fauchant dans les broussailles hautes ou sous les buissons et haies : tenir l'outil de coupe à une hauteur de travail d'au moins 15 cm du sol – pour ne pas mettre en danger les petits animaux cachés.

Avant de quitter la machine : arrêter le moteur.

Vérifier l'outil de coupe à de courts intervalles réguliers – et immédiatement si le comportement de l'outil change :

- Arrêter le moteur, maintenir fermement la machine, attendre que l'outil de coupe s'arrête.
- Contrôler l'état et la bonne fixation – on ne doit constater aucun début de fissuration.
- Des outils de coupe défectueux doivent être remplacés immédiatement, même en cas de fissures capillaires minimes.

Enlever régulièrement l'herbe et les broussailles enchevêtrées dans la prise de l'outil de coupe – en cas d'engorgement, nettoyer la zone de l'outil de coupe ou du capot protecteur.

Pour le remplacement de l'outil de coupe, arrêter le moteur – **risque de blessure !**

Ne pas continuer d'utiliser des outils de coupe endommagés ou présentant un début de fissuration – et ne pas non plus les réparer – par ex. par soudage ou redressage – modification de la forme (balourd).

Des particules ou des éclats pourraient se détacher, être projetés à haute vitesse et toucher l'utilisateur ou une autre personne – **risque de blessures très graves !**

### Utilisation de têtes faucheuses

Utiliser exclusivement un capot protecteur muni d'un couteau monté conformément aux prescriptions, pour rogner les fils de coupe à la longueur autorisée.

Pour réajuster la longueur du fil de coupe sur les têtes faucheuses à sortie de fil manuelle, il faut impérativement arrêter le moteur – **risque de blessure !**

L'utilisation, interdite, avec des fils de coupe trop longs réduit le régime de travail du moteur. L'embrayage patine alors continuellement, ce qui entraîne une surchauffe et la détérioration d'éléments fonctionnels importants (par ex. embrayage, pièces en matière synthétique du carter) – des dommages subséquents, par ex. le fait que l'outil de coupe soit entraîné au ralenti, présentent un **risque de blessure !**

### Vibrations

Au bout d'une assez longue durée d'utilisation de la machine, les vibrations peuvent provoquer une perturbation de l'irrigation sanguine des mains (« maladie des doigts blancs »).

Il n'est pas possible de fixer une durée d'utilisation valable d'une manière générale, car l'effet des vibrations dépend de plusieurs facteurs.

Les précautions suivantes permettent de prolonger la durée d'utilisation :

- garder les mains au chaud (porter des gants chauds) ;
- faire des pauses.

Les facteurs suivants raccourcissent la durée d'utilisation :

- tendance personnelle à souffrir d'une mauvaise irrigation sanguine (symptômes : doigts souvent froids, fourmillements) ;
- utilisation à de basses températures ambiantes ;
- effort exercé sur les poignées (une prise très ferme gêne l'irrigation sanguine).

Si l'on utilise régulièrement la machine pendant de longues périodes et que les symptômes indiqués ci-avant (par ex. fourmillements dans les doigts) se manifestent à plusieurs reprises, il est recommandé de se faire ausculter par un médecin.

### Maintenance et réparations

Le dispositif à moteur doit faire l'objet d'une maintenance régulière. Exécuter exclusivement les opérations de maintenance et les réparations décrites dans la Notice d'emploi. Faire exécuter toutes les autres opérations par un revendeur spécialisé.

STIHL recommande de faire effectuer les opérations de maintenance et les réparations exclusivement chez le revendeur spécialisé STIHL. Les revendeurs spécialisés STIHL participent régulièrement à des stages de perfectionnement et ont à leur disposition les informations techniques requises.

Utiliser exclusivement des pièces de rechange de haute qualité. Sinon, des accidents pourraient survenir et le

dispositif risquerait d'être endommagé. Pour toute question à ce sujet, s'adresser à un revendeur spécialisé.

STIHL recommande d'utiliser des pièces de rechange d'origine STIHL. Leurs caractéristiques sont optimisées tout spécialement pour ce dispositif, compte tenu des exigences de l'utilisateur.

Pour la réparation, la maintenance et le nettoyage, toujours **arrêter le moteur et débrancher le câble d'allumage de la bougie** – **risque de blessure** en cas de mise en route inopinée du moteur ! – Exception : réglage du carburateur et du ralenti.

Lorsque le câble d'allumage est débranché de la bougie ou que la bougie est dévissée, ne pas faire tourner le moteur avec le lanceur – **risque d'incendie** par suite d'un jaillissement d'étincelles d'allumage à l'extérieur du cylindre !

Ne pas procéder à la maintenance du dispositif à moteur à proximité d'un feu et ne pas non plus ranger le dispositif à moteur à proximité d'un feu – le carburant présente un **risque d'incendie** !

Contrôler régulièrement l'étanchéité du bouchon du réservoir à carburant.

Utiliser exclusivement une bougie autorisée par STIHL – voir « Caractéristiques techniques » – et dans un état impeccable.

Vérifier le câble d'allumage (isolement dans un état impeccable, bon serrage du raccord).

S'assurer que le silencieux est dans un état impeccable.

Ne pas travailler avec la machine si le silencieux est endommagé ou manque – **risque d'incendie** ! – **Lésion de l'ouïe** !

Ne pas toucher au silencieux très chaud – **risque de brûlure** !

**L'entretien, le remplacement ou la réparation des dispositifs et systèmes de contrôle des émissions peuvent être effectués par tout établissement de réparation de moteurs non routiers ou par un particulier. Toutefois, si vous faites une demande de garantie pour un composant qui n'a pas été réparé ou entretenu correctement, STIHL peut refuser la couverture.**

Pour tout entretien, veuillez vous référer au tableau d'entretien et à la déclaration de garantie qui se trouvent à la fin du manuel d'instructions.

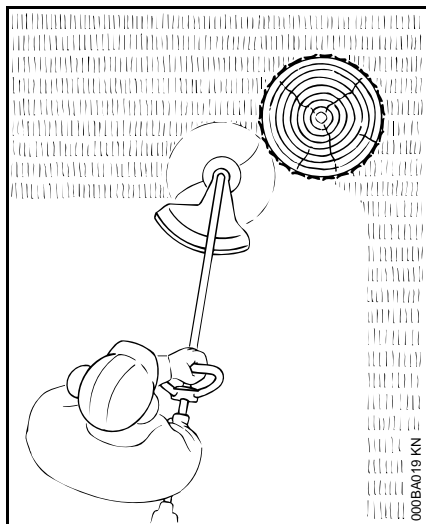
### Symboles appliqués sur les dispositifs de protection

Une flèche sur le capot protecteur pour outils de coupe indique le sens de rotation des outils de coupe.



Utiliser ce capot protecteur exclusivement avec des têtes faucheuses – ne pas l'utiliser avec des outils de coupe métalliques.

## Tête faucheuse avec fil de coupe

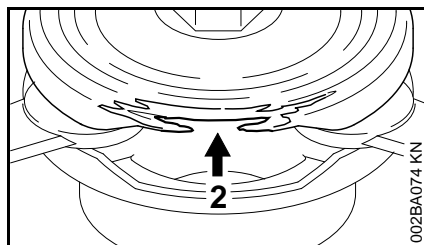
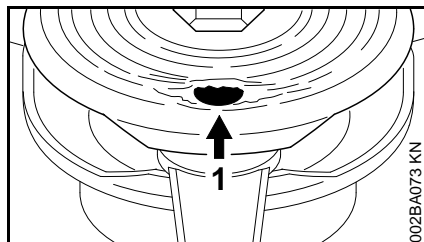


Pour une coupe « en douceur » – pour couper proprement même les bordures irrégulières, autour des arbres et des poteaux – moindre risque d'endommager l'écorce des arbres.

### ! AVERTISSEMENT

Ne pas remplacer le fil de coupe par un fil d'acier – **risque de blessure !**

## Tête faucheuse avec couteaux en matière synthétique – STIHL PolyCut 6-3



Pour faucher les bordures de près dégagées (sans poteaux, clôtures, arbres ou obstacles similaires).

Respecter impérativement les instructions à suivre pour la maintenance de la tête faucheuse PolyCut !

### Faire attention aux témoins d'usure !

Des témoins d'usure sont intégrés à la base de la tête faucheuse PolyCut.

Il ne faut plus utiliser la tête faucheuse PolyCut 6-3 si l'un des trous circulaires (1 ; flèche) commence à apparaître ou si le rebord orienté vers l'intérieur (2 ; flèche) est usé – la remplacer par une tête faucheuse neuve !

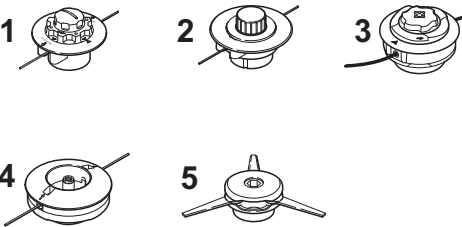
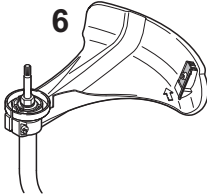


### ! AVERTISSEMENT

Si l'on ne tient pas compte du fait que l'un des témoins d'usure est atteint, l'outil de coupe risque d'éclater et des morceaux projetés risquent de blesser l'utilisateur ou des personnes qui pourraient se trouver à proximité.

Afin de réduire les risques d'accident par suite d'un éclatement des couteaux, éviter tout contact des couteaux avec des pierres, des objets métalliques ou d'autres objets similaires !

Examiner régulièrement les couteaux PolyCut pour détecter à temps tout début de fissuration. Si l'on constate un début de fissuration sur l'un des couteaux, il faut impérativement remplacer **tous** les couteaux de la tête faucheuse PolyCut !

## Combinaisons autorisées d'outil de coupe, de capot protecteur, de poignée et de harnais

Outil de coupe	Capot protecteur	Poignée	Harnais
			

1000-GXX-0401-A3

### Combinaisons autorisées

Suivant l'outil de coupe utilisé, choisir la combinaison correcte indiquée sur le tableau !

### **! AVERTISSEMENT**

Pour des questions de sécurité, d'autres combinaisons sont interdites – **risque d'accident !**

### Outils de coupe

#### Têtes faucheuses

- 1 STIHL AutoCut C 5-2
- 2 STIHL AutoCut 5-2
- 3 STIHL AutoCut C 6-2
- 4 STIHL DuroCut 5-2
- 5 STIHL PolyCut 6-3

### Capot protecteur

- 6 Capot protecteur avec couteau rogneur pour têtes faucheuses

### Poignée

- 7 Poignée circulaire

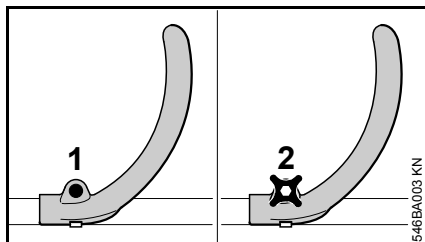
### Harnais

- 8 Harnais simple – peut être utilisé

## Montage de la poignée circulaire

À la livraison du dispositif neuf, la poignée circulaire est déjà montée sur le tube, mais il faut encore la faire pivoter et l'ajuster.

### Ajustage de la poignée circulaire



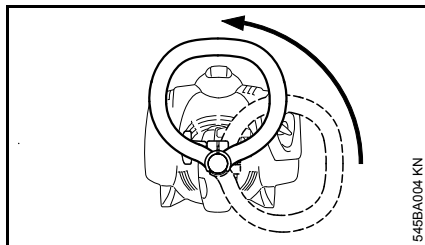
#### Versions avec vis (FS 40)

- Desserrer la vis (1) de la poignée à l'aide d'un tournevis ou de la clé multiple ;

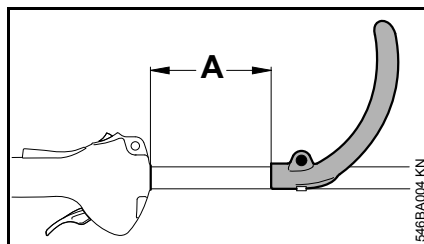
#### Versions avec vis à garrot (FS 50)

- Desserrer la vis à garrot (2) de la poignée ;

#### Toutes les versions



- faire pivoter la poignée sur le tube pour l'orienter vers le haut ;

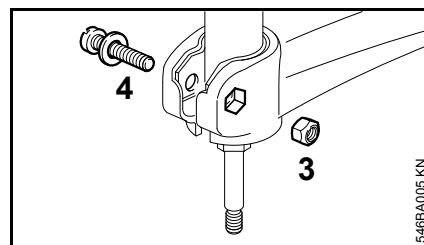
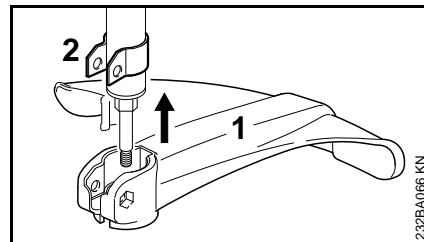


En modifiant la distance A, on peut amener la poignée dans la position la plus commode suivant l'utilisateur et l'utilisation prévue.

Distance recommandée (A) = env. 15 cm.

- glisser la poignée dans la position souhaitée ;
- serrer la vis, ou la vis à garrot, de telle sorte que la poignée ne puisse plus tourner sur le tube.

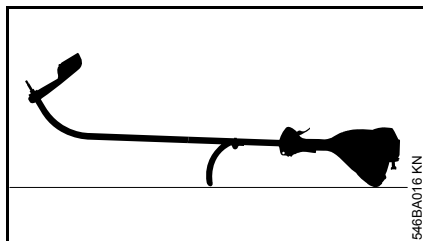
## Montage des dispositifs de sécurité



- Emboîter le capot protecteur (1) sur le support (2), jusqu'en butée ;
- introduire l'écrou (3) dans la prise à six pans creux du capot protecteur – les trous doivent coïncider ;
- visser et serrer la vis (4) munie de la rondelle.

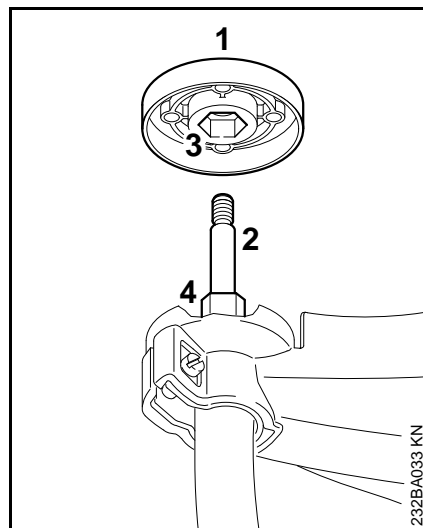
## Montage de l'outil de coupe

### Pose de la machine sur le sol



- Arrêter le moteur ;
- poser la machine de telle sorte que la poignée circulaire et le capot du moteur soient orientés vers le bas et que l'arbre soit orienté vers le haut.

### Disque de pression



Le disque de pression (1) fait partie du jeu de pièces des têtes faucheuses DuroCut 5-2 und PolyCut 6-3. Il est nécessaire seulement si l'on utilise ces têtes faucheuses.

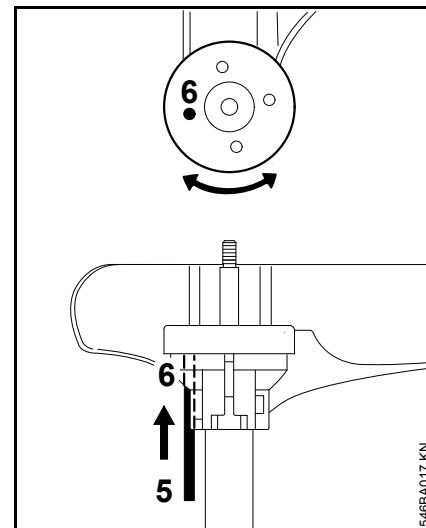
#### Tête faucheuse STIHL AutoCut 5-2, tête faucheuse STIHL AutoCut C 5-2

- Si le disque de pression (1) est monté, l'enlever de l'arbre (2).

#### Tête faucheuse STIHL DuroCut 5-2, Tête faucheuse STIHL PolyCut 6-3

- Glisser le disque de pression (1) sur l'arbre (2) en emboîtant la prise à six pans creux (3) sur le six pans (4).

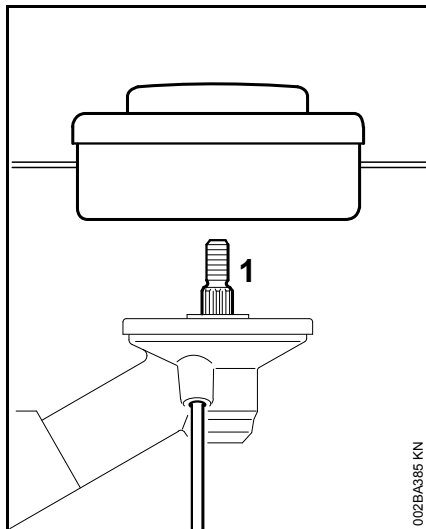
### Blocage de l'arbre



- Pour bloquer l'arbre, introduire l'outil (5) dans les trous (6) du capot protecteur et du disque de pression, en faisant légèrement jouer le disque de pression jusqu'à ce que l'arbre soit bloqué.

### Montage de la tête faucheuse avec prise fileté

Conserver précieusement le folio joint à la tête faucheuse.



- Poser le disque de pression.
- Visser la tête faucheuse sur l'arbre (1) en tournant dans le sens inverse des aiguilles d'une montre, jusqu'en appui.
- Bloquer l'arbre.
- Serrer fermement la tête faucheuse.



Enlever l'outil inséré pour bloquer l'arbre.

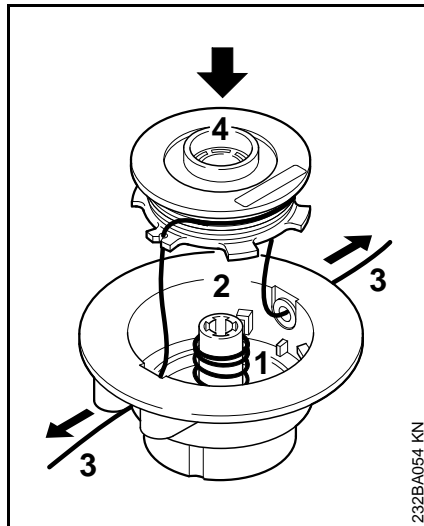
### Démontage de la tête faucheuse

- Bloquer l'arbre.
- Faire tourner la tête faucheuse dans le sens des aiguilles d'une montre.

### Montage de la tête faucheuse sans prise filetée

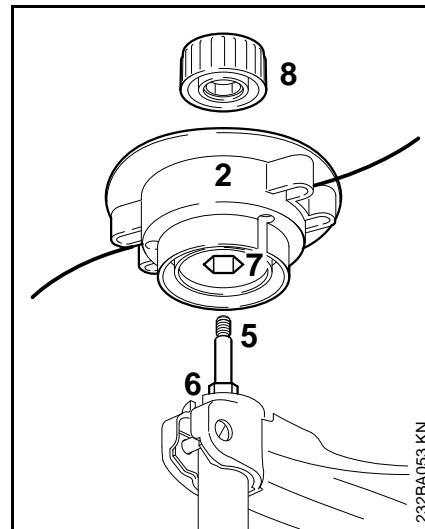
Conserver précieusement le folio joint à la tête faucheuse !

#### STIHL AutoCut 5-2



- Introduire le ressort (1) dans la partie supérieure (2) ;
- enrrouler les fils de coupe (3) sur la bobine (4) ;
- enfiler les fils de coupe à travers les douilles et mettre la bobine dans le boîtier de bobine ;

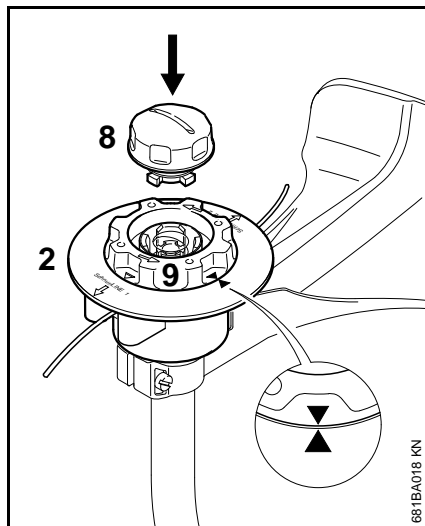
Les différentes opérations sont décrites sur le folio joint à la tête faucheuse !



- glisser la partie supérieure (2) sur l'arbre (5) en emboîtant la prise à six pans creux (7) sur le six pans (6) ;
- mettre le capuchon (8) sur la partie supérieure – le visser à fond sur l'arbre en tournant dans le sens des aiguilles d'une montre et le serrer.

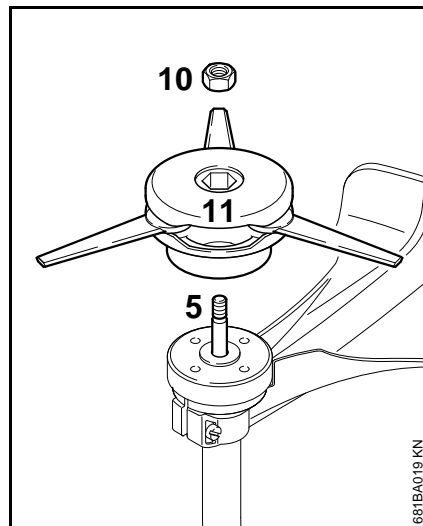


## STIHL AutoCut C 5-2



- Glisser la partie supérieure (2) sur l'arbre, comme pour la tête faucheuse AutoCut 5-2 ;
- tourner la bobine (9) dans le sens des aiguilles d'une montre, seulement jusqu'à ce que les pointes des deux flèches coïncident – immobiliser la bobine dans cette position ;
- introduire le capuchon (8) dans la bobine, l'enfoncer jusqu'en butée en tournant simultanément dans le sens des aiguilles d'une montre ;
- tourner le capuchon jusqu'en butée et le serrer à la main.

## STIHL PolyCut 6-3



- Glisser le disque de pression sur l'arbre ;
- mettre l'écrou (10) dans la tête faucheuse ;
- visser la tête faucheuse (11) sur l'arbre (5) en tournant à fond dans le sens des aiguilles d'une montre ;
- bloquer l'arbre ;
- serrer fermement la tête faucheuse.

 **AVERTISSEMENT**

S'il tourne facilement sur le filetage, l'écrou doit être remplacé.

 **AVIS**

Enlever l'outil inséré pour bloquer l'arbre.

Démontage de la tête faucheuse**STIHL AutoCut**

- Retenir le boîtier de la bobine ;
- tourner le capuchon dans le sens inverse des aiguilles d'une montre.

**STIHL PolyCut**

- Bloquer l'arbre ;
- tourner la tête faucheuse dans le sens inverse des aiguilles d'une montre.

## Carburant

Ce moteur est homologué pour l'utilisation avec de l'essence sans plomb et un taux de mélange de 50:1.

Votre moteur doit être alimenté avec un mélange composé de supercarburant (premium gasoline) de haute qualité et d'huile de haute qualité pour moteur deux-temps refroidi par air.

Utiliser du supercarburant de marque, sans plomb, dont l'indice d'octane atteint au moins 89 (R+M)/2.

Nota : Sur les machines munies d'un **catalyseur**, il faut faire le plein avec de l'essence **sans plomb**. Il suffirait de faire quelques fois le plein avec de l'essence plombée pour que l'efficacité du catalyseur se trouve réduite de plus de 50 %.

Du carburant à indice d'octane inférieur provoque un allumage anticipé (produisant un « cliquetis »), accompagné d'une élévation de la température du moteur. Cette surchauffe, à son tour, augmente le risque de grippage du piston et de détérioration du moteur.

La composition chimique du carburant est également importante. Certains additifs mélangés au carburant ne présentent pas seulement l'inconvénient de détériorer les élastomères (membranes du carburateur, bagues d'étanchéité, conduits de carburant etc.), mais encore les carters en magnésium. Cela peut perturber le fonctionnement ou même endommager le moteur. C'est pour cette raison qu'il

est extrêmement important d'utiliser exclusivement des carburants de haute qualité !

Des carburants à différentes teneurs en éthanol sont proposés. L'éthanol peut dégrader les caractéristiques de fonctionnement du moteur et accroît le risque de grippage par suite d'un appauvrissement excessif du mélange carburé.

De l'essence avec une teneur en éthanol supérieure à 10 % peut causer une dégradation des caractéristiques de fonctionnement et de graves endommagements sur les moteurs munis d'un carburateur à réglage manuel, et c'est pourquoi il n'est pas permis d'utiliser ce carburant sur de tels moteurs.

Les moteurs équipés du système de gestion moteur électronique M-Tronic peuvent fonctionner avec de l'essence contenant jusqu'à 25 % d'éthanol (E25).

Pour la composition du mélange, utiliser exclusivement l'huile STIHL pour moteur deux-temps ou de l'huile de marque de qualité équivalente pour moteur deux-temps refroidi par air.

Nous recommandons l'utilisation de l'huile STIHL 50:1 pour moteur deux-temps, car c'est la seule huile spécialement élaborée pour l'utilisation dans les moteurs STIHL.

Pour que le moteur STIHL atteigne les performances maximales, il faut utiliser de l'huile de haute qualité pour moteur deux-temps. Pour que le moteur fonctionne plus proprement et pour réduire la formation de dépôts de calamine nocifs, STIHL recommande d'utiliser de l'huile STIHL HP Ultra pour

moteur deux-temps ou de demander au revendeur une huile équivalente, entièrement synthétique, pour moteur deux-temps.

Pour satisfaire aux exigences des normes EPA et CARB, il est recommandé d'utiliser de l'huile STIHL HP Ultra.

Ne pas utiliser d'huiles de mélange BIA ou TCW (pour moteurs deux-temps refroidis par eau) !

Pour composer le mélange des modèles à **catalyseur**, utiliser exclusivement de **l'huile moteur hautes performances STIHL 50:1** ou une huile de qualité équivalente pour moteur deux-temps.

Manipuler le carburant avec précaution. Éviter tout contact direct de la peau avec le carburant et ne pas inhaler les vapeurs de carburant.

Le bouchon du bidon doit être toujours bien serré, pour éviter que de l'humidité pénètre dans le mélange.

Il convient de nettoyer de temps en temps le réservoir à carburant et les bidons utilisés pour le stockage du mélange.

### Taux de mélange

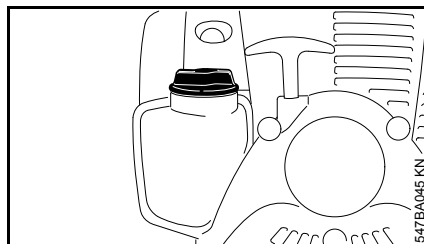
Ne mélanger que la quantité de carburant nécessaire pour quelques journées de travail ; ne pas dépasser une durée de stockage de 30 jours. Conserver le mélange exclusivement dans des bidons de sécurité homologués pour le carburant. Pour la composition du mélange, verser dans le bidon tout d'abord l'huile, puis rajouter l'essence.

**Exemples**

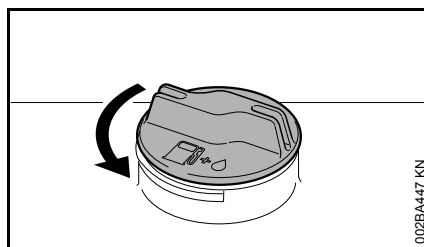
Essence Huile (STIHL 50:1 ou huiles de haute qualité équivalentes)

litres	litres	(ml)
1	0,02	(20)
5	0,10	(100)
10	0,20	(200)
15	0,30	(300)
20	0,40	(400)
25	0,50	(500)

Entreposer les bidons remplis de mélange exclusivement à un endroit autorisé pour le stockage de carburants.

**Ravitaillement en carburant****Préparatifs**

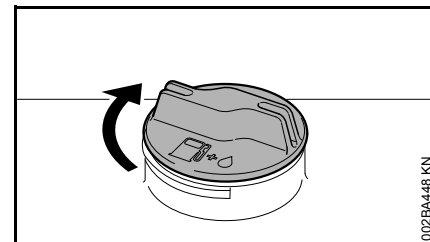
- Avant de faire le plein, nettoyer le bouchon du réservoir et son voisinage, afin qu'aucune impureté ne risque de pénétrer dans le réservoir ;
- positionner la machine de telle sorte que le bouchon du réservoir soit orienté vers le haut.

**Ouverture du bouchon de réservoir à carburant à visser**

- Tourner le bouchon dans le sens inverse des aiguilles d'une montre jusqu'à ce qu'il puisse être enlevé de l'orifice du réservoir ;
- enlever le bouchon du réservoir.

**Ravitaillement en carburant**

En faisant le plein, ne pas renverser du carburant et ne pas remplir le réservoir jusqu'au bord. STIHL recommande d'utiliser le système de remplissage STIHL (accessoire optionnel).

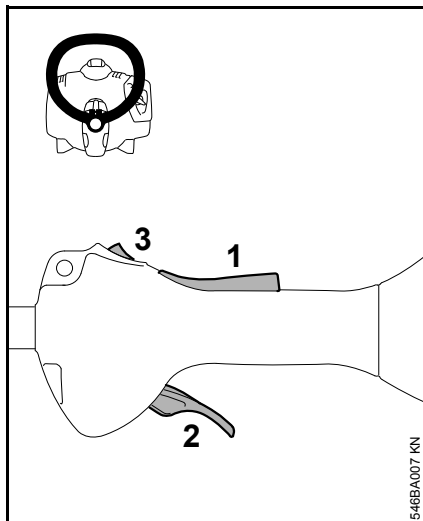
**Fermeture du bouchon de réservoir à carburant à visser**

- Présenter le bouchon sur l'orifice ;
- tourner le bouchon dans le sens des aiguilles d'une montre, jusqu'en butée, puis le serrer le plus fermement possible, à la main.

## Mise en route / arrêt du moteur

### Commandes :

#### Version avec poignée tubulaire



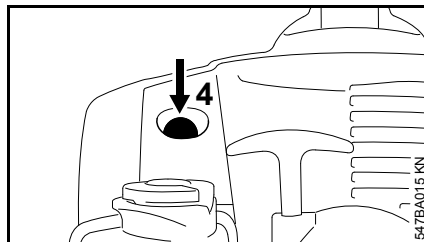
- 1 Verrouillage de la gâchette de l'accélérateur
- 2 Gâchette de l'accélérateur
- 3 Commutateur d'arrêt avec les positions Run et 0 = Stop.

#### Fonction de commutateur d'arrêt et du système d'allumage

Le commutateur d'arrêt est normalement en position "Run", c'est-à-dire lorsqu'il n'est pas enfoncé : Le contact est mis - le moteur est prêt à démarrer. Si le commutateur d'arrêt est

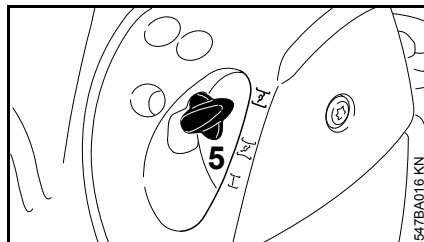
mis sur la position 0, le contact est coupé. Le contact est automatiquement remis en marche après l'arrêt du moteur.

### Démarrage du moteur



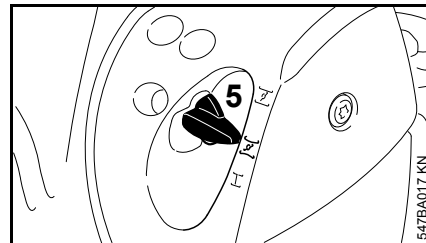
- Appuyez au moins cinq fois sur l'ampoule de la pompe à carburant manuelle (4) - même si l'ampoule est remplie de carburant.

#### Moteur froid (démarrage à froid)



- Appuyez sur le levier de starter (5) et tournez-le  $\curvearrowright$  en même temps.

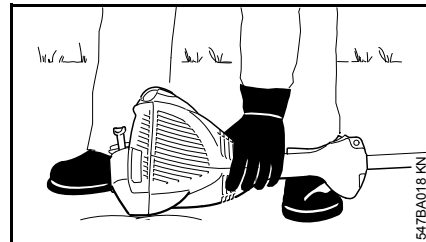
#### Moteur chaud (démarrage à chaud)



- Appuyez sur le levier de starter (5) et tournez-le  $\curvearrowright$  en même temps.

Utilisez également ce réglage si le moteur a fonctionné mais est encore froid.

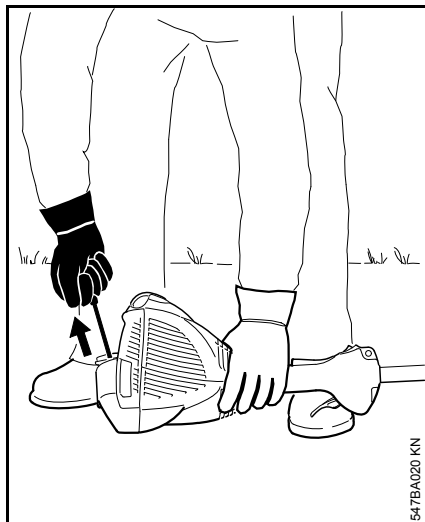
#### Démarrer à la main



- Placez l'unité au sol : Elle doit reposer solidement sur le support du moteur et le capot protecteur. Vérifiez que l'outil de coupe ne touche pas le sol ou tout autre obstacle.
- Assurez-vous d'avoir une position sûre et sécurisée.
- Tenez l'appareil fermement au sol avec votre main gauche et appuyez dessus - ne touchez pas la gâchette de l'accélérateur ni le levier de verrouillage.



Ne vous mettez pas debout ou à genoux sur le tube d'entraînement.



- Tenez la poignée du démarreur avec votre main droite.

#### Version sans Easy2Start

- Tirez lentement sur la poignée du démarreur jusqu'à ce que vous sentiez qu'elle s'enclenche, puis donnez-lui une forte impulsion.

#### Version avec Easy2Start

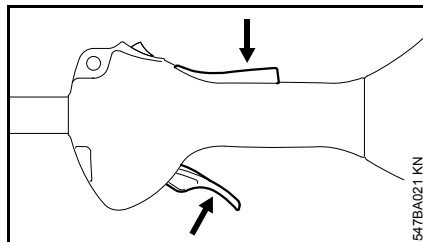
- Tirez fermement sur la poignée du démarreur.



Ne tirez pas sur la corde du démarreur jusqu'au bout - elle pourrait sinon se rompre.

- Ne laissez pas la poignée du démarreur revenir en arrière. Guidez-la lentement dans le carter pour que la corde puisse s'enrouler correctement.
- Continuez à tourner jusqu'à ce que le moteur tourne.

#### Dès que le moteur tourne



- Appuyez sur le verrouillage de la gâchette des gaz et ouvrez la gâchette des gaz - le levier de starter se déplace vers la position de marche I. Après un démarrage à froid, il faut réchauffer le moteur en ouvrant les gaz plusieurs fois.

#### **!** AVERTISSEMENT

Assurez-vous que le carburateur est correctement réglé. L'outil de coupe ne doit pas tourner lorsque le moteur tourne au ralenti.

Votre machine est prête à fonctionner.

#### Arrêt du moteur

- Déplacez le commutateur d'arrêt dans la direction 0 - le moteur s'arrête - relâchez le commutateur d'arrêt - il revient à la position de marche.

#### Autres conseils pour démarrer

##### **Le moteur cale en position de démarrage à froid I ou lors d'une accélération**

- Déplacez le levier de starter vers II et continuez à tourner jusqu'à ce que le moteur tourne.

##### **Le moteur ne démarre pas en position de démarrage à chaud II**

- Déplacez le levier de starter vers I et continuez à tourner jusqu'à ce que le moteur tourne.

##### **Si le moteur ne démarre pas**

- Vérifiez que tous les réglages sont corrects.
- Vérifiez qu'il y a du carburant dans le réservoir et faites le plein si nécessaire.
- Vérifiez que le culot de la bougie d'allumage est bien branché.
- Répétez la procédure de démarrage.

##### **Le moteur est noyé**

- Déplacez le levier de starter vers I et continuez à tourner jusqu'à ce que le moteur tourne.

### **Le réservoir de carburant fonctionne jusqu'à ce qu'il soit complètement sec**

- Après avoir fait le plein, appuyez au moins cinq fois sur l'ampoule de la pompe à carburant manuelle - même si l'ampoule est remplie de carburant.
- Réglez le levier de starter en fonction de la température du moteur.
- Maintenant, démarrez le moteur.

## **Instructions de service**

### **Au cours de la première période d'utilisation**

Jusqu'à épuisement des trois premiers pleins du réservoir, ne pas faire tourner le dispositif à moteur neuf à haut régime, à vide, afin d'éviter une sollicitation supplémentaire au cours du rodage. Durant le rodage, les éléments mobiles doivent s'adapter les uns aux autres – les frictions à l'intérieur du bloc-moteur offrent une résistance assez élevée. Le moteur n'atteint sa puissance maximale qu'au bout d'une période d'utilisation correspondant à la consommation de 5 à 15 pleins du réservoir.

### **Au cours du travail**

Après une assez longue phase de fonctionnement à pleine charge, laisser le moteur tourner au ralenti pendant quelques instants – le plus gros de la chaleur est alors dissipé par le flux d'air de refroidissement, ce qui évite une accumulation de chaleur qui soumettrait les pièces rapportées sur le bloc-moteur (allumage, carburateur) à des sollicitations thermiques extrêmes.

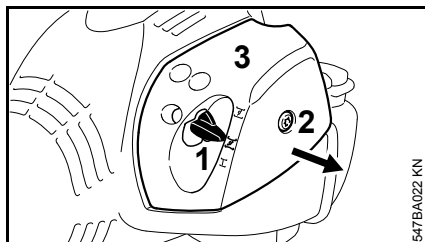
### **Après le travail**

Pour une courte période d'immobilisation : laisser le moteur refroidir. Veiller à ce que le réservoir à carburant soit complètement vide et, jusqu'à la prochaine utilisation, ranger le dispositif à un endroit sec, à l'écart de

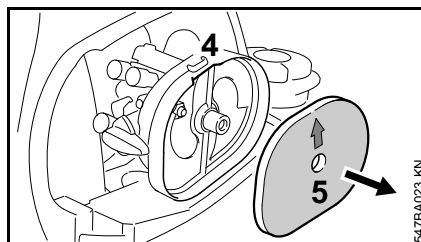
toute source d'inflammation. Pour une assez longue période d'immobilisation – voir « Rangement du dispositif » !

## Nettoyage du filtre à air

Si l'on constate une baisse sensible de la puissance du moteur



- Placer le levier du volet de starter (1) dans la position  $\overline{M}$  ;
- tourner la vis (2) du couvercle de filtre, dans le sens inverse des aiguilles d'une montre, jusqu'à ce que le couvercle soit desserré ;
- enlever le couvercle du filtre (3) en le faisant passer par-dessus le levier du volet de starter ;
- nettoyer grossièrement le voisinage du filtre ;



- engager les doigts dans l'échancrure (4) du boîtier du filtre et sortir le filtre en feutre (5) ;
- remplacer le filtre en feutre (5) – pour un dépannage provisoire, le battre ou le nettoyer à la soufflette – ne pas le laver ;



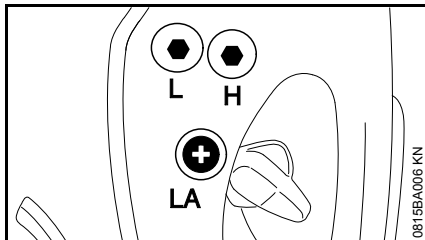
Remplacer les pièces endommagées !

- mettre le filtre en feutre (5) dans le boîtier de filtre, en faisant coïncider les contours – la flèche doit être orientée vers l'échancrure ;
- placer le levier du volet de starter (1) dans la position  $\overline{M}$  ;
- poser le couvercle de filtre (3) – en veillant à ce que la vis (2) ne soit pas gauchie – visser la vis.

## Gestion moteur

La régulation des émissions de nuisances à l'échappement est assurée par la définition des paramètres et la configuration des composants du moteur de base (par ex. carburation, allumage, calage de l'allumage et de la distribution),

## Réglage du carburateur



Départ usine, le carburateur de la machine est ajusté de telle sorte que dans toutes les conditions de fonctionnement le moteur soit alimenté avec un mélange carburé de composition optimale.

### Réglage du ralenti

#### Si le moteur cale au ralenti

- Faire chauffer le moteur pendant env. 3 min ;
- tourner lentement la vis de butée de réglage de régime de ralenti (LA) dans le sens des aiguilles d'une montre, jusqu'à ce que le moteur tourne rond – l'outil de coupe ne doit pas être entraîné.

#### Si l'outil de coupe est entraîné au ralenti

- Tourner la vis de butée de réglage de régime de ralenti (LA) dans le sens inverse des aiguilles d'une montre, jusqu'à ce que l'outil de coupe s'arrête, puis exécuter encore entre 1/2 tour et 3/4 de tour dans le même sens.

## AVERTISSEMENT

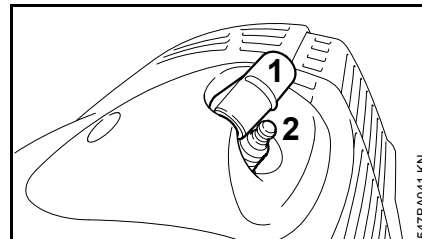
Si l'outil de coupe ne s'arrête pas au ralenti, malgré le réglage correct, faire réparer la machine par le revendeur spécialisé.

## Bougie

- En cas de manque de puissance du moteur, de difficultés de démarrage ou de perturbations au ralenti, contrôler tout d'abord la bougie ;
- après env. 100 heures de fonctionnement, remplacer la bougie – la remplacer plus tôt si les électrodes sont fortement usées – utiliser exclusivement les bougies antiparasitées autorisées par STIHL – voir « Caractéristiques techniques ».

### Démontage de la bougie

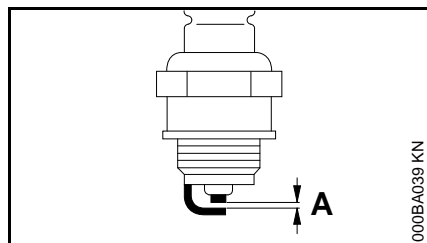
- Arrêter le moteur ;



- enlever le contact de câble d'allumage de la bougie (1) ;
- dévisser la bougie (2).



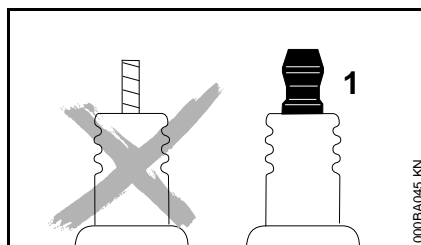
## Contrôler la bougie



- Nettoyer la bougie si elle est encrassée ;
- contrôler l'écartement des électrodes (A) et le rectifier si nécessaire – pour la valeur correcte, voir « Caractéristiques techniques » ;
- éliminer les causes de l'encrassement de la bougie.

Causes possibles :

- trop d'huile moteur dans le carburant ;
- filtre à air encrassé ;
- conditions d'utilisation défavorables.



### **!** AVERTISSEMENT

Si l'écrou de connexion (1) manque ou n'est pas fermement serré, un jaillissement d'étincelles peut se produire. Si l'on travaille dans le voisinage de matières inflammables ou présentant des risques d'explosion, cela peut déclencher un incendie ou une explosion. Cela peut causer des dégâts matériels et des personnes risquent d'être grièvement blessées.

- Utiliser des bougies antiparasitées avec écrou de connexion fixe.

## Montage de la bougie

- Visser la bougie ;
- emboîter le contact de câble d'allumage sur la bougie.

## Fonctionnement du moteur

Si le moteur ne fonctionne pas parfaitement, bien que le filtre à air ait été nettoyé et que le carburateur soit réglé correctement, ce défaut peut aussi provenir du silencieux d'échappement.

Demander au revendeur spécialisé de contrôler si le silencieux n'est pas encrassé (calaminé) !

STIHL recommande de faire effectuer les opérations de maintenance et les réparations exclusivement chez le revendeur spécialisé STIHL.

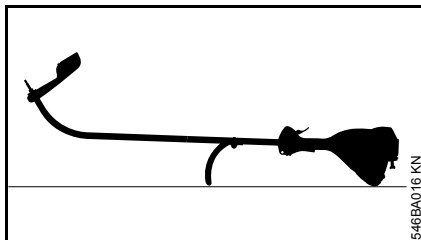
## Rangement

Pour un arrêt de travail de 3 mois ou plus,

- vider et nettoyer le réservoir à carburant à un endroit bien aéré ;
- éliminer le carburant conformément à la législation et aux prescriptions pour la protection de l'environnement ;
- mettre le moteur en marche et le laisser tourner jusqu'à ce que le carburateur soit vide, sinon les membranes du carburateur risqueraient de se coller !
- enlever l'outil de coupe, le nettoyer et le contrôler. Traiter les outils de coupe métalliques avec de l'huile de protection ;
- nettoyer soigneusement la machine, en particulier les ailettes de refroidissement du cylindre et le filtre à air !
- conserver la machine à un endroit sec et sûr – la ranger de telle sorte qu'elle ne puisse pas être utilisée sans autorisation (par ex. par des enfants).

## Entretien de la tête faucheuse

### Pose de la machine sur le sol



- Arrêter le moteur ;
- poser la machine de telle sorte que la poignée circulaire et le capot du moteur soient orientés vers le bas et que l'arbre soit orienté vers le haut.

### Remplacement du fil de coupe

Avant de remplacer le fil de coupe, il faut impérativement vérifier si la tête faucheuse n'est pas usée.



#### AVERTISSEMENT

Si l'on constate des traces d'usure prononcées, il faut remplacer la tête faucheuse complète.

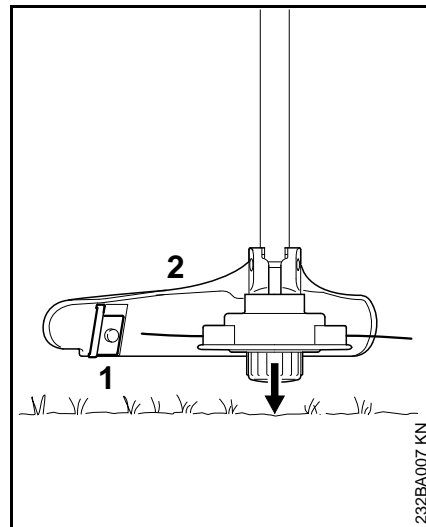
Ci-après, le fil de coupe est simplement appelé « fil ».

La tête faucheuse est livrée avec un folio illustré montrant la procédure à suivre pour le remplacement des fils. C'est pourquoi il faut précieusement conserver ces instructions spécifiques à cette tête faucheuse.

- Au besoin, démonter la tête faucheuse.

### Ajustage du fil de coupe

#### STIHL AutoCut



- Présenter la tête faucheuse en rotation parallèlement à la surface d'herbe – frapper brièvement sur le sol – la bobine débite env. 3 cm (1,2 po) de fil ;
- si les fils deviennent trop longs, ils sont rognés à la longueur optimale par le couteau (1) monté sur le capot protecteur (2) – c'est pourquoi il faut éviter de frapper plusieurs fois de suite sur le sol !

La sortie de fil de coupe n'est toutefois possible que si les extrémités des **deux** fils de coupe atteignent encore une longueur minimale de **2,5 cm (1 po) !**

Si la longueur des fils de coupe est inférieure à 2,5 cm (1 po) :

### **! AVERTISSEMENT**

Pour réajuster manuellement la longueur du fil de coupe, il faut impérativement arrêter le moteur – **risque de blessure !**

- retourner la machine ;
- enfoncer à fond le capuchon de la bobine de fil ;
- tirer sur les extrémités du fil pour les sortir de la bobine.

Si la bobine est vide, la recharger avec un fil de coupe neuf.

### **Sur toutes les autres têtes faucheuses**

Procéder comme décrit sur le folio joint à la tête faucheuse.

### **! AVERTISSEMENT**

Pour réajuster manuellement la longueur du fil de coupe, il faut impérativement arrêter le moteur – **risque de blessure !**

### **Remplacement du fil de coupe**

#### **STIHL DuroCut**

### **! AVERTISSEMENT**

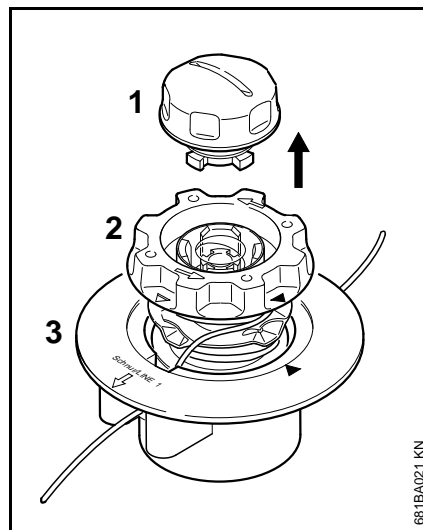
Pour recharger la tête faucheuse à la main, il faut impérativement arrêter le moteur – **risque de blessure !**

- Monter des brins de fil de la longueur requise sur la tête faucheuse, comme décrit sur le folio joint.

#### **STIHL AutoCut C 5-2**

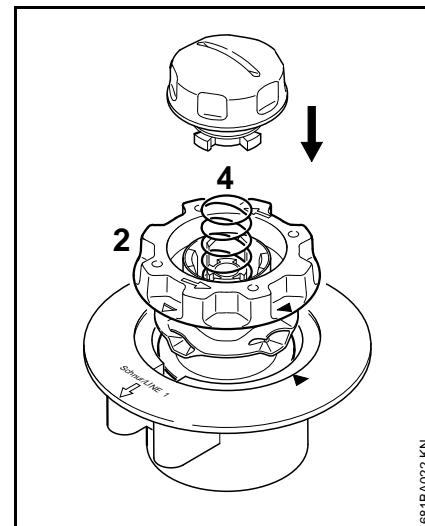
### **Désassemblage de la tête faucheuse et enlèvement des restes de fil**

À l'utilisation normale, le fil est utilisé jusqu'à ce que la bobine soit pratiquement vide.



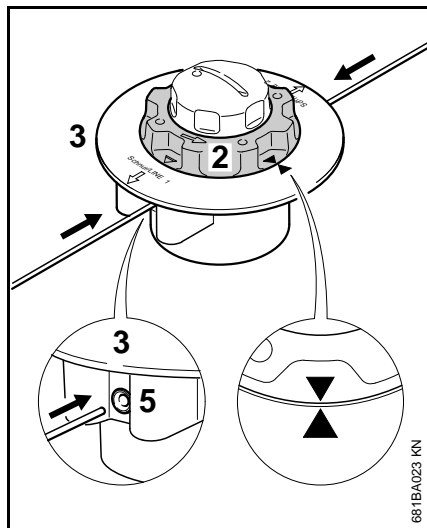
- Retenir la tête faucheuse et faire tourner le capuchon (1) dans le sens inverse des aiguilles d'une montre jusqu'à ce qu'il puisse être enlevé.
- Extraire la bobine (2) de la partie supérieure (3) et enlever les restes de fil.

### **Assemblage de la tête faucheuse**

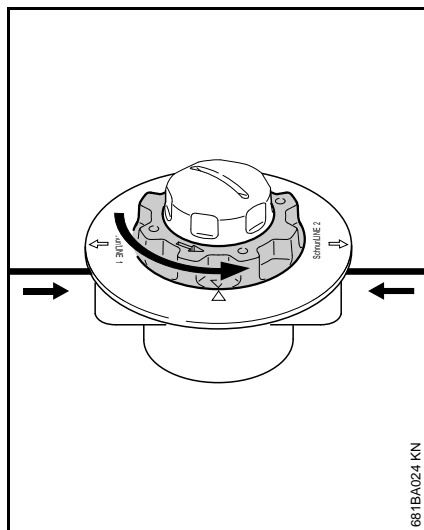


- Introduire la bobine vide dans la partie supérieure.
- Si le ressort (4) s'est échappé :
- Pousser le ressort dans la bobine (2) jusqu'à ce qu'il s'encliquette avec un déclic audible.
  - Monter la tête faucheuse – voir « Montage de la tête faucheuse ».

## Enroulement du fil sur la bobine



- Utiliser un fil de 2,0 mm (0,08 po) de diamètre (couleur verte).
- Débiter du rouleau de fil de rechange deux morceaux de fil ayant chacun une longueur de 2 m (78 po) (accessoire optionnel).
- Tourner la bobine (2) dans le sens inverse des aiguilles d'une montre jusqu'à ce que les pointes des deux flèches coïncident.
- En maintenant les extrémités des deux fils bien droites, passer chacune des extrémités à travers l'une des douilles (5) et la pousser dans la partie supérieure (3) jusqu'à la première résistance perceptible – puis l'enfoncer jusqu'en butée.

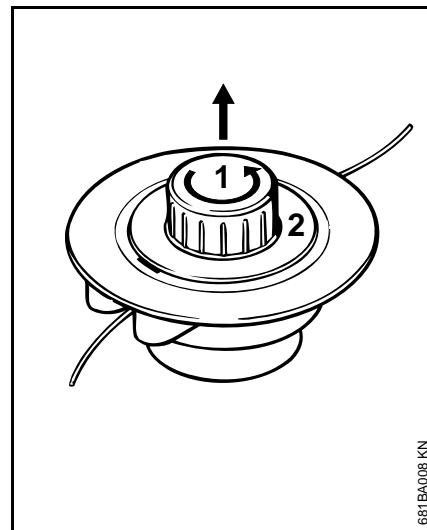


- Retenir la partie supérieure.
- Tourner la bobine dans le sens inverse des aiguilles d'une montre, jusqu'à ce que le fil le plus court dépasse encore de la tête faucheuse sur une longueur d'env. 10 cm (4 po).
- Si nécessaire, raccourcir le fil le plus long à une longueur d'env. 10 cm (4 po).

La tête faucheuse est ainsi rechargée.

## STIHL AutoCut 5-2

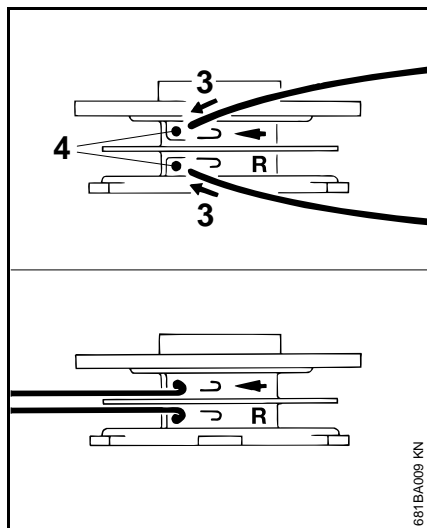
### Enlèvement des restes de fil



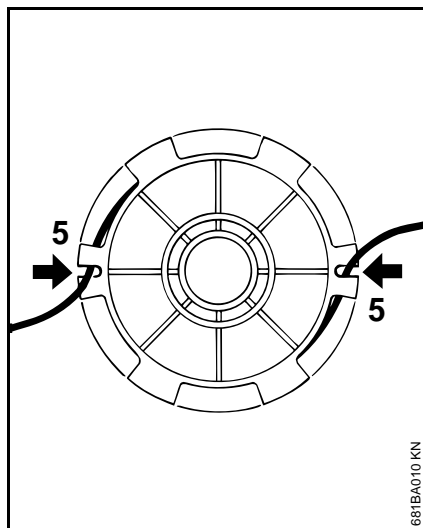
- Ouvrir la tête faucheuse – à cet effet, la retenir d'une main et faire tourner le capuchon (1) dans le sens inverse des aiguilles d'une montre ;
- défaire l'encliquetage de la bobine (2), sortir la bobine de la tête faucheuse et enlever les restes de fil.

### Enroulement du fil sur la bobine

Au lieu d'enrouler des fils neufs sur la bobine vide, on peut aussi utiliser une bobine déjà munie de fils enroulés (accessoire optionnel).



- Utiliser un fil de 2,0 mm (0,08 po) de diamètre (couleur verte) ;
- débiter du rouleau de fil de rechange (accessoire optionnel) deux morceaux de fil ayant chacun une longueur de 3 m (120 po) ;
- introduire une seule extrémité (3) de chacun des deux fils dans les trous (4) de la bobine ;
- rabattre fortement l'extrémité de chaque fil sur le bord de l'orifice, pour former un pli ;

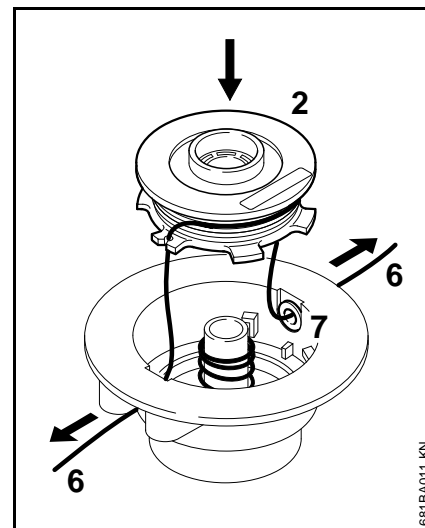


- embobiner régulièrement et fermement les fils – respectivement un fil dans chaque chambre ;
- accrocher les extrémités des fils dans les fentes (2).

#### Assemblage de la tête faucheuse



Avant l'assemblage, s'assurer que le ressort de pression est monté – voir « Montage de la tête faucheuse ».



- Passer les extrémités (6) des fils à travers les œillets (7) et faire encliqueter la bobine (2) dans le boîtier ;

À la mise en place de la bobine dans la tête faucheuse, les fils de coupe doivent se dégager des fentes (5).

- en tirant sur les extrémités des fils, les sortir à fond ;
- remonter la tête faucheuse.

#### Remplacement des couteaux

##### STIHL PolyCut

Avant de remplacer les couteaux de la tête faucheuse, il faut impérativement vérifier si la tête faucheuse n'est pas usée.

## AVERTISSEMENT

Si l'on constate des traces d'usure prononcées, il faut remplacer la tête faucheuse complète.

Ci-après, les couteaux de la tête faucheuse sont simplement appelés « couteaux ».

La tête faucheuse est livrée avec un folio illustré montrant la procédure à suivre pour le remplacement des couteaux. C'est pourquoi il faut précieusement conserver ces instructions spécifiques à cette tête faucheuse.

## AVERTISSEMENT

Pour recharger la tête faucheuse à la main, il faut impérativement arrêter le moteur – **risque de blessure !**

- Démonter la tête faucheuse ;
- remplacer les couteaux comme indiqué sur la notice illustrée ;
- remonter la tête faucheuse.

## Contrôle et maintenance par le revendeur spécialisé

### Grille pare-étincelles dans le silencieux

- Si la puissance du moteur baisse, faire contrôler la grille pare-étincelles du silencieux.

STIHL recommande de faire effectuer les opérations de maintenance et les réparations exclusivement chez le revendeur spécialisé STIHL.

## Instructions pour la maintenance et l'entretien

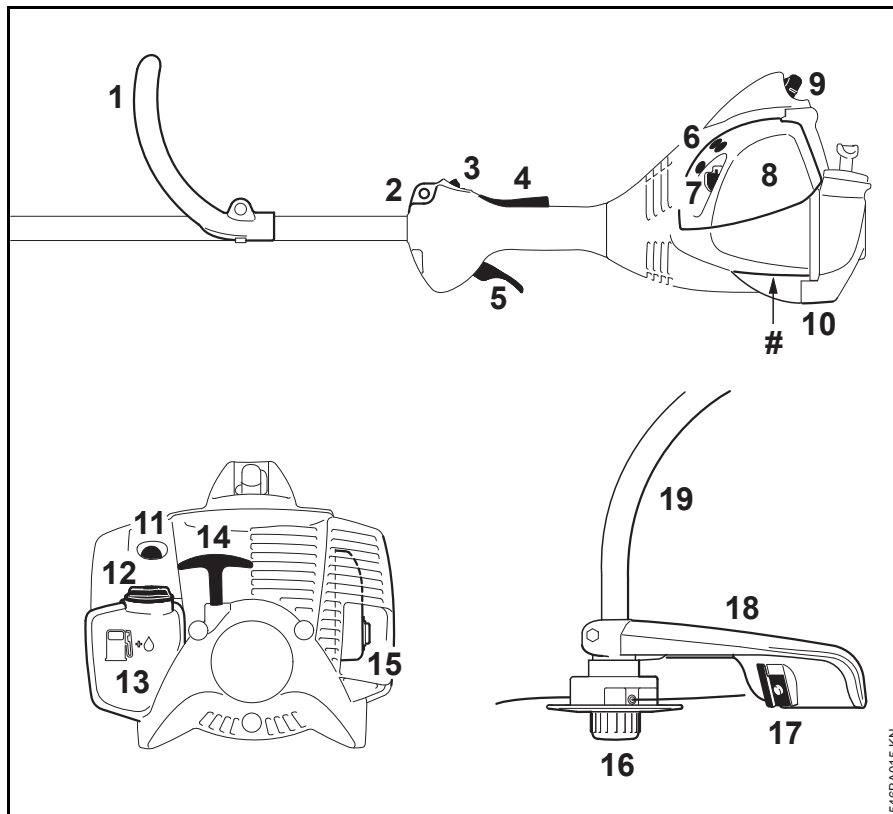
Les indications se rapportent à des conditions d'utilisation normales. Pour des conditions plus difficiles (ambiance très poussiéreuse etc.) et des journées de travail plus longues, il faut réduire, en conséquence, les intervalles indiqués.		avant de commencer le travail	après le travail ou tous les jours	après chaque ravitaillement	une fois par semaine	une fois par mois	une fois par an	en cas de défaut	en cas d'endommagement	au besoin
Machine entière	Contrôle visuel (état, étanchéité)	X		X						
	Nettoyage		X							
Poignée de commande	Contrôle du fonctionnement	X		X						
Filtre à air	Nettoyage							X		X
	Remplacement								X	
Pompe d'amorçage manuelle (si la machine en est équipée)	Contrôle	X								
	Réparation par le revendeur spécialisé <sup>1)</sup>								X	
Crépine d'aspiration dans le réservoir à carburant	Contrôle							X		
	Remplacement						X		X	X
Réservoir à carburant	Nettoyage							X		X
Carburateur	Contrôle du ralenti, l'outil de coupe ne doit pas être entraîné	X		X						
	Correction du ralenti									X
Bougie	Réglage de l'écartement des électrodes							X		
	Remplacement toutes les 100 heures de fonctionnement									
Ouverture d'aspiration d'air de refroidissement	Contrôle visuel		X							
	Nettoyage									X
Grille pare-étincelles dans le silencieux	Contrôle par le revendeur spécialisé <sup>1)</sup>							X		
	Nettoyage ou remplacement par le revendeur spécialisé <sup>1)</sup>								X	X
Vis et écrous accessibles (sauf vis de réglage)	Resserrage									X

Les indications se rapportent à des conditions d'utilisation normales. Pour des conditions plus difficiles (ambiance très poussiéreuse etc.) et des journées de travail plus longues, il faut réduire, en conséquence, les intervalles indiqués.		avant de commencer le travail	après le travail ou tous les jours	après chaque ravitaillement	une fois par semaine	une fois par mois	une fois par an	en cas de défaut	en cas d'endommagement	au besoin
Outil de coupe	Contrôle visuel	X		X						
	Remplacement								X	
	Contrôle du serrage	X		X						
Étiquettes de sécurité	Remplacement								X	

<sup>1)</sup> STIHL recommande de s'adresser au revendeur spécialisé STIHL



## Principales pièces



- 1 Poignée tubulaire
- 2 Anneau de transport
- 3 Commutateur d'arrêt
- 4 Verrouillage de la gâchette de l'accélérateur
- 5 Gâchette de l'accélérateur
- 6 Vis de réglage de carburateur
- 7 Levier de starter
- 8 Couverture du filtre à air
- 9 Coiffe de bougie d'allumage
- 10 Soutien à la machine
- 11 Pompe à essence manuelle
- 12 Bouchon du réservoir à carburant
- 13 Réservoir de carburant
- 14 Poignée du démarreur
- 15 Silencieux avec écran pare-étincelles
- 16 Tête faucheuse
- 17 Couteau rogneur
- 18 Capot protecteur
- 19 Tube d'entraînement
- # Numéro de série du produit

546BA015 KN

## Définitions

---

- 1 Poignée tubulaire**  
Pour un contrôle facile de la machine pendant les travaux de coupe.
- 2 Anneau de transport**  
Connecte l'unité au harnais.
- 3 Commutateur d'arrêt**  
Coupe l'allumage du moteur et arrête le moteur.
- 4 Verrouillage de la gâchette de l'accélérateur**  
Doit être enfoncé avant de pouvoir activer la gâchette des gaz.
- 5 Gâchette de l'accélérateur**  
Commande la vitesse du moteur.
- 6 Vis de réglage de carburateur**  
Pour régler le carburateur.
- 7 Levier de starter**  
Facilite le démarrage du moteur en enrichissant le mélange.
- 8 Couverture du filtre à air**  
Couvre et protège l'élément du filtre à air.
- 9 Coiffe de bougie d'allumage**  
Raccorde la bougie au fil d'allumage.
- 10 Soutien à la machine**  
Pour faire reposer la machine sur le sol.
- 11 Pompe à essence manuelle**  
Fournit une alimentation supplémentaire en carburant pour un démarrage à froid.
- 12 Bouchon du réservoir à carburant**  
Pour fermer le réservoir de carburant.
- 13 Réservoir de carburant**  
Pour le mélange de carburant et d'huile.
- 14 Poignée du démarreur**  
La poignée du démarreur à tirer pour démarrer le moteur.
- 15 Silencieux avec écran pare-étincelles**  
Le silencieux réduit les bruits d'échappement et détourne les gaz d'échappement de l'opérateur. L'écran pare-étincelles est conçu pour réduire le risque d'incendie.
- 16 Tête faucheuse**  
L'outil de coupe, c'est-à-dire la tête faucheuse, pour différents usages.
- 17 Couteau rogneur**  
Lame métallique sur le capot protecteur qui maintient le fil de la tête faucheuse à la bonne longueur.
- 18 Capot protecteur**  
Conçu pour réduire le risque de blessure par des corps étrangers projetés en arrière vers l'opérateur par l'outil de coupe et par contact avec l'outil de coupe.
- 19 Tube d'entraînement**  
Enveloppe et protège l'arbre de transmission entre le moteur et le logement des roulements.

## Caractéristiques techniques

### EPA / CEPA

---

L'étiquette d'homologation relative aux émissions de nuisances à l'échappement indique le nombre d'heures de fonctionnement durant lequel ce moteur satisfait aux exigences des normes antipollution fédérales.

Catégorie

A = 300 heures

B = 125 heures

C = 50 heures

### Moteur

---

Moteur deux-temps, monocylindrique

#### FS 40, FS 40 C

Cylindrée : 27,2 cm<sup>3</sup>

Alésage du cylindre : 34 mm

Course du piston : 30 mm

Puissance suivant ISO 8893 : 0,7 kW à 8500 tr/min

Régime de ralenti : 2800 tr/min

Limitation de régime (valeur nominale) : 10000 tr/min

Régime max. de l'arbre de sortie (prise pour outil de coupe) : 10600 tr/min

#### FS 50, FS 50 C

Cylindrée : 27,2 cm<sup>3</sup>

Alésage du cylindre : 34 mm

Course du piston : 30 mm

Puissance suivant ISO 8893 : 0,8 kW à 8500 tr/min  
 Régime de ralenti : 2800 tr/min  
 Limitation de régime (valeur nominale) : 10000 tr/min  
 Régime max. de l'arbre de sortie (prise pour outil de coupe) : 10600 tr/min

### Dispositif d'allumage

Volant magnétique à commande électronique

Bougie (antiparasitée) : NGK CMR 6 H  
 Écartement des électrodes : 0,5 mm

Ce système d'allumage respecte toutes les exigences du règlement sur le matériel blindé du Canada CAN ICES-2/NMB-2 (dispositions relatives à l'antiparasitage).

### Système d'alimentation

Carburateur à membrane toutes positions avec pompe à carburant intégrée

Capacité du réservoir à carburant : 340 cm<sup>3</sup> (0,34 l)

### Poids

réservoir vide, sans outil de coupe ni capot protecteur

FS 40 : 4,4 kg  
 FS 50 : 4,4 kg  
 FS 50 avec tube long : 4,5 kg

FS 40 C avec Easy2Start : 4,5 kg  
 FS 50 C avec Easy2Start : 4,5 kg  
 FS 50 C avec Easy2Start et tube long : 4,6 kg

### Longueur hors tout

sans outil de coupe  
 FS 40 : 1450 mm  
 FS 40 C : 1450 mm  
 FS 50 : 1450 mm  
 FS 50 C : 1450 mm  
 FS 50 avec tube long : 1650 mm  
 FS 50 C avec tube long : 1650 mm


## Instructions pour les réparations

L'utilisateur de ce dispositif est autorisé à effectuer uniquement les opérations de maintenance et les réparations décrites dans la présente Notice d'emploi. Les réparations plus poussées ne doivent être effectuées que par le revendeur spécialisé.

STIHL recommande de faire effectuer les opérations de maintenance et les réparations exclusivement chez le revendeur spécialisé STIHL. Les revendeurs spécialisés STIHL participent régulièrement à des stages de perfectionnement et ont à leur disposition les informations techniques requises.

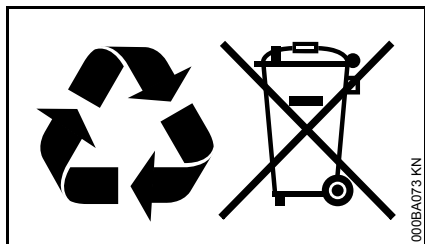
Pour les réparations, monter exclusivement des pièces de rechange autorisées par STIHL pour ce dispositif ou des pièces similaires du point de vue technique. Utiliser exclusivement des pièces de rechange de haute qualité. Sinon, des accidents pourraient survenir et le dispositif risquerait d'être endommagé.

STIHL recommande d'utiliser des pièces de rechange d'origine STIHL.

Les pièces de rechange d'origine STIHL sont reconnaissables à leur référence de pièce de rechange STIHL, au nom **STIHL** et, le cas échéant, au symbole d'identification des pièces de rechange STIHL  (les petites pièces ne portent parfois que ce symbole).

## Mise au rebut

Pour l'élimination des déchets, respecter les prescriptions nationales spécifiques.



Les produits STIHL ne doivent pas être jetés à la poubelle. Le produit STIHL, la batterie, les accessoires et leur emballage doivent être mis au recyclage.

Consulter le revendeur spécialisé STIHL pour obtenir les informations d'actualité concernant l'élimination écoresponsable des déchets.

## Garantie de la Société STIHL Limited relative au système antipollution

**Cette déclaration est fournie volontairement et elle se base sur l'accord conclu en avril 1999 entre l'Office de l'Environnement du Canada et STIHL Limited.**

### Vos droits et obligations dans le cadre de la garantie

STIHL Limited expose ici la garantie relative au système antipollution du moteur de votre type de moteur. Au Canada, sur le plan construction et équipement, les moteurs neufs de petits dispositifs à moteur non-routiers, du millésime 1999 ou d'un millésime ultérieur, doivent, au moment de la vente, être conformes aux dispositions U.S. EPA pour petits moteurs qui ne sont pas destinés à des véhicules routiers. Le moteur du dispositif doit être exempt de vices de matériaux et de fabrication qui entraîneraient une non-conformité avec les dispositions U.S. EPA au cours des deux premières années de service du moteur, à dater de la vente au consommateur final.

Pour la période ci-dessus, STIHL Limited doit assumer la garantie sur le système antipollution du moteur de votre petit dispositif non-routier, à condition que votre moteur n'ait pas été utilisé de façon inadéquate et que sa maintenance n'ait pas été négligée ou incorrectement effectuée.

Votre système antipollution peut comprendre aussi des pièces telles que le carburateur ou le système d'injection de carburant, l'allumage et le catalyseur. Il peut aussi englober des flexibles,

courroies, raccords et autres composants influant sur les émissions de nuisances.

Dans un cas de garantie, STIHL Limited devra réparer le moteur de votre dispositif non-routier et ce, gratuitement pour vous. La garantie englobe le diagnostic (s'il est exécuté par un revendeur autorisé) ainsi que les pièces et la main-d'œuvre.

### Durée de la garantie du fabricant

Au Canada, les moteurs de petits dispositifs à moteur non-routiers, du millésime 1999 ou d'un millésime ultérieur, bénéficient d'une garantie de deux ans. Si une pièce du système antipollution du moteur de votre dispositif s'avère défectueuse, elle est réparée ou remplacée gratuitement par STIHL Limited.

### Obligations du propriétaire :

En tant que propriétaire du moteur du petit dispositif à moteur non-routier, vous êtes responsable de l'exécution de la maintenance indispensable prescrite dans la notice d'emploi de votre dispositif. STIHL Limited recommande de conserver toutes les quittances des opérations de maintenance exécutées sur le moteur de votre dispositif non-routier. STIHL Limited ne peut toutefois pas vous refuser une garantie sur votre moteur pour la seule raison que des quittances manqueraient ou que vous auriez négligé d'assurer l'exécution de toutes les opérations de maintenance prévues.

Pour la maintenance ou les réparations qui ne sont pas effectuées sous garantie, il est permis d'employer des pièces de rechange ou des méthodes de

travail assurant une exécution et une longévité équivalant à celles de l'équipement de première monte et ce, sans que cela réduise, pour le fabricant du moteur, l'obligation de fournir une garantie.

En tant que propriétaire du petit dispositif à moteur non-routier, vous devez toutefois savoir que STIHL Limited peut vous refuser la garantie si le moteur ou une partie du moteur de votre dispositif tombe en panne par suite d'une utilisation inadéquate, d'un manque de précaution, d'une maintenance incorrecte ou de modifications non autorisées.

Vous êtes tenu d'amener le moteur de votre petit dispositif à moteur non-routier à un centre de Service Après-Vente STIHL dès qu'un problème survient. Les travaux sous garantie seront exécutés dans un délai raisonnable qui ne devra pas dépasser 30 jours.

Si vous avez des questions concernant vos droits et obligations dans le cadre de la garantie, veuillez consulter un conseiller du Service Après-Vente STIHL ([www.stihl.ca](http://www.stihl.ca))

ou écrire à :

STIHL Ltd.,  
1515 Sise Road  
Box 5666  
CA-LONDON ONTARIO ; N6A 4L6

### **Étendue de la garantie fournie par STIHL Limited**

STIHL Limited garantit à l'acheteur final, et à tout acquéreur ultérieur, que le moteur de votre petit dispositif non-routier satisfait à toutes les prescriptions en vigueur au moment de la vente, sur le plan construction, fabrication et

équipement. STIHL Limited garantit en outre au premier acquéreur et à tous les acquéreurs ultérieurs, pour une période de deux ans, que votre moteur est exempt de tout vice de matériaux et de tout vice de fabrication entraînant une non-conformité avec les prescriptions en vigueur.

### **Période de garantie**

La période de garantie commence le jour où le premier acheteur fait l'acquisition du moteur du dispositif et où vous avez retourné à STIHL Ltd. la carte de garantie portant votre signature. Si une pièce faisant partie du système antipollution de votre dispositif est défectueuse, la pièce est remplacée gratuitement par STIHL Limited. Durant la période de garantie, une garantie est fournie pour toute pièce sous garantie qui ne doit pas être remplacée à l'occasion d'une opération de maintenance prescrite ou pour laquelle « la réparation ou le remplacement, si nécessaire » n'est prévu qu'à l'occasion de l'inspection périodique. Pour toute pièce sous garantie qui doit être remplacée dans le cadre d'une opération de maintenance prescrite, la garantie est fournie pour la période qui précède le premier remplacement prévu.

### **Diagnostic**

Les coûts occasionnés pour le diagnostic ne sont pas facturés au propriétaire, si ce diagnostic confirme qu'une pièce sous garantie est défectueuse. Si, par contre, vous revendiquez un droit à la garantie pour une pièce et qu'une défectuosité n'est pas constatée au diagnostic, STIHL Limited vous facturera les coûts du test

des émissions de nuisances. Le diagnostic de la partie mécanique doit être exécuté par un revendeur spécialisé STIHL. Le test des émissions de nuisances peut être exécuté soit par

STIHL Incorporated,  
536 Viking Drive, P.O. Box 2015,  
Virginia Beach, VA 23452,

soit par un laboratoire indépendant.

### **Travaux sous garantie**

STIHL Limited doit faire éliminer les défauts sous garantie par un revendeur spécialisé STIHL ou par une station de garantie. Tous les travaux seront effectués sans facturation au propriétaire, si l'on constate qu'une pièce sous garantie est effectivement défectueuse. Toute pièce autorisée par le fabricant ou pièce de rechange équivalente peut être utilisée pour toute opération de maintenance ou réparation sous garantie touchant une pièce du système antipollution et elle doit être mise gratuitement à la disposition du propriétaire, si la pièce en question est encore sous garantie. STIHL Limited assume la responsabilité de dommages causés à d'autres composants du moteur par la pièce encore couverte par la garantie.

La liste suivante précise les pièces couvertes par la garantie antipollution :

- Filtre à air
- Carburateur (le cas échéant)
- Pompe d'amorçage manuelle
- Starter (système d'enrichissement de démarrage à froid) (le cas échéant)
- Tringleries de commande

- Coude d'admission
- Volant magnétique ou allumage électronique (module d'allumage ou boîtier électronique)
- Rotor
- Bougie
- Injecteur (le cas échéant)
- Pompe d'injection (le cas échéant)
- Boîtier de papillon (le cas échéant)
- Cylindre
- Silencieux
- Catalyseur (le cas échéant)
- Réservoir à carburant
- Bouchon du réservoir à carburant
- Conduit de carburant
- Raccords du conduit de carburant
- Colliers
- Pièces de fixation

#### **Pour faire valoir un droit à la garantie**

Présenter le dispositif à un revendeur spécialisé STIHL, avec la carte de garantie signée.

#### **Prescriptions de maintenance**

Les prescriptions de maintenance qui figurent dans la présente Notice d'emploi présument que l'on utilise le mélange d'essence et d'huile prescrit pour moteur deux-temps (voir aussi chapitre « Carburant »). En cas d'utilisation de carburants et d'huiles d'autre qualité ou d'un taux de mélange différent, il peut être nécessaire de raccourcir les intervalles de maintenance.

#### **Restrictions**

Cette garantie sur le système antipollution ne couvre pas :

1. les réparations et remplacements nécessaires par suite d'une utilisation inadéquate ou bien d'une négligence ou de l'omission des opérations de maintenance indispensables ;
2. les réparations exécutées incorrectement ou les remplacements effectués avec des pièces non conformes aux spécifications de STIHL Limited et ayant un effet défavorable sur le rendement et/ou la longévité, et les transformations ou modifications que STIHL Limited n'a ni recommandées, ni autorisées par écrit ;
3. le remplacement de pièces et d'autres prestations de services et réglages qui s'avèrent nécessaires dans le cadre des travaux de maintenance indispensables, à l'échéance du premier remplacement prévu, et par la suite.



0458-546-8221-D

CDN



[www.stihl.com](http://www.stihl.com)



0458-546-8221-D