

STIHL

STIHL HTA 135

Instruction Manual
Notice d'emploi



GB Instruction Manual
1 - 53

F Notice d'emploi
54 - 111

Contents

1	Introduction	3	10.1 Preparing the Pole Pruner for Operation	23
2	Guide to Using this Manual	3	11 Charging the Battery	23
2.1	Signal Words	3	11.1 Setting up the Charger	23
2.2	Symbols in Text	3	11.2 Charging	24
3	Main Parts	4	12 LED Diagnostics and Acoustic Signals	25
3.1	STIHL HTA 135 Pole Pruner and Battery	4	12.1 STIHL AP Battery	25
4	Safety Symbols on the Products	5	12.2 STIHL AR Backpack Battery	26
4.1	Pole Pruner	5	13 STIHL AR Backpack Battery	27
4.2	Battery	6	13.1 Positioning and Adjusting the Connecting Cord	27
5	General Power Tool Safety Warnings	6	13.2 Putting on the Harness	27
5.1	Introduction	6	14 Assembling the Pole Pruner	28
5.2	Work Area Safety	6	14.1 Mounting the Gearbox	28
5.3	Electrical Safety	7	14.2 Mounting the Motor Housing	29
5.4	Personal Safety	7	14.3 Cutting Attachment	29
5.5	Power Tool Use and Care	7	14.4 Mounting the Harness Clip	30
5.6	Battery Tool Use and Care	8	14.5 Mounting the Machine Support	30
5.7	Service	8	14.6 Mounting and Removing the Guide Bar and Chain	30
6	IMPORTANT SAFETY INSTRUCTIONS	9	14.7 Tensioning the Chain	32
6.1	Intended Use	9	14.8 Lubricating the Saw Chain and Guide Bar	32
6.2	Operator	9	15 Inserting and Removing the Battery	34
6.3	Personal Protective Equipment	10	15.1 Inserting the Battery	34
6.4	Pole Pruner	11	15.2 Removing the Battery	34
6.5	Using the Pole Pruner	12	16 Switching the Pole Pruner On and Off	35
7	Kickback and Other Reactive Forces	19	16.1 Switching On	35
7.1	Reactive Forces	19	16.2 Switching Off	35
7.2	Kickback	19	17 Checking the Pole Pruner	36
7.3	Pull-in	20	17.1 Testing the Controls	36
7.4	Pushback	20	17.2 Testing Chain Lubrication	36
8	Battery Safety	20	18 During Operation	37
8.1	Warnings and Instructions	20	18.1 Adjusting the Length of the Drive Tube	37
9	Maintenance, Repair and Storage	22	18.2 Align the Harness Clip	37
9.1	Warnings and Instructions	22	18.3 Putting on and Adjusting the Shoulder Strap	37
10	Before Starting Work	23	18.4 Limbing	38

STIHL

This instruction manual is protected by copyright. All rights reserved, especially the rights to reproduce, translate and process with electronic systems.

19 After Finishing Work	39	29.2 Battery Recycling	53
19.1 Preparing for Transportation or Storage	39		
20 Transporting the Pole Pruner and Battery	39		
20.1 Pole Pruner	39		
20.2 Battery	40		
21 Storing the Pole Pruner and Battery	40		
21.1 Pole Pruner	40		
21.2 Battery	40		
22 Cleaning	41		
22.1 Cleaning the Pole Pruner and Battery	41		
22.2 Cleaning the Guide Bar and Saw Chain	41		
22.3 Cleaning the Air Filter	42		
23 Inspection and Maintenance	42		
23.1 Inspecting and Maintaining the Pole Pruner	42		
23.2 Inspecting and Maintaining the Chain Sprocket	42		
23.3 Inspecting and Maintaining the Guide Bar	43		
23.4 Inspecting, Maintaining and Sharpening the Saw Chain	43		
24 Troubleshooting Guide	47		
24.1 Pole Pruner and Battery	47		
25 Specifications	49		
25.1 STIHL HTA 135	49		
25.2 Chain Sprockets	49		
25.3 Minimum Groove Depth of Guide Bars	49		
25.4 Depth Gauge Setting	49		
25.5 Symbols on the Pole Pruner	49		
25.6 Engineering Improvements	50		
25.7 EMC Compliance Statement for Power Tool and Charger	50		
26 Combinations of Guide Bars and Saw Chains	51		
26.1 STIHL HTA 135	51		
27 Approved Harness Combinations	52		
27.1 Harness Combinations	52		
28 Replacement Parts and Equipment	52		
28.1 Genuine STIHL Replacement Parts	52		
29 Disposal	52		
29.1 Disposal of the Power Tool	52		

1 Introduction

Thank you for your purchase. The information contained in this manual will help you receive maximum performance and satisfaction from your STIHL pole pruner and, if followed, reduce the risk of injury from its use.

SAVE THIS MANUAL!



Because a pole pruner is a high-speed wood-cutting tool with an extended reach, special safety precautions must be observed to reduce the risk of personal injury.



Read this instruction manual thoroughly before use and periodically thereafter. Follow all safety precautions. Careless or improper use of the pole pruner can cause serious or fatal injury.

Observe all applicable federal, state and local safety regulations, standards and ordinances.

Do not lend or rent your pole pruner without this instruction manual. Allow only persons who have the proper training and fully understand the information in this manual to operate the pole pruner.

For further information, or if you do not understand any of the instructions in this manual, please go to www.stihl.ca or contact your authorized STIHL servicing dealer.

2 Guide to Using this Manual

2.1 Signal Words

This manual contains safety information that requires your special attention. Such information is introduced with the following symbols and signal words:



DANGER

Indicates a hazardous situation which, if not avoided, will result in death or serious injury.



WARNING

Indicates a hazardous situation which, if not avoided, could result in death or serious injury.

NOTICE

Indicates a risk of property damage, including damage to the machine or its individual components.

2.2 Symbols in Text

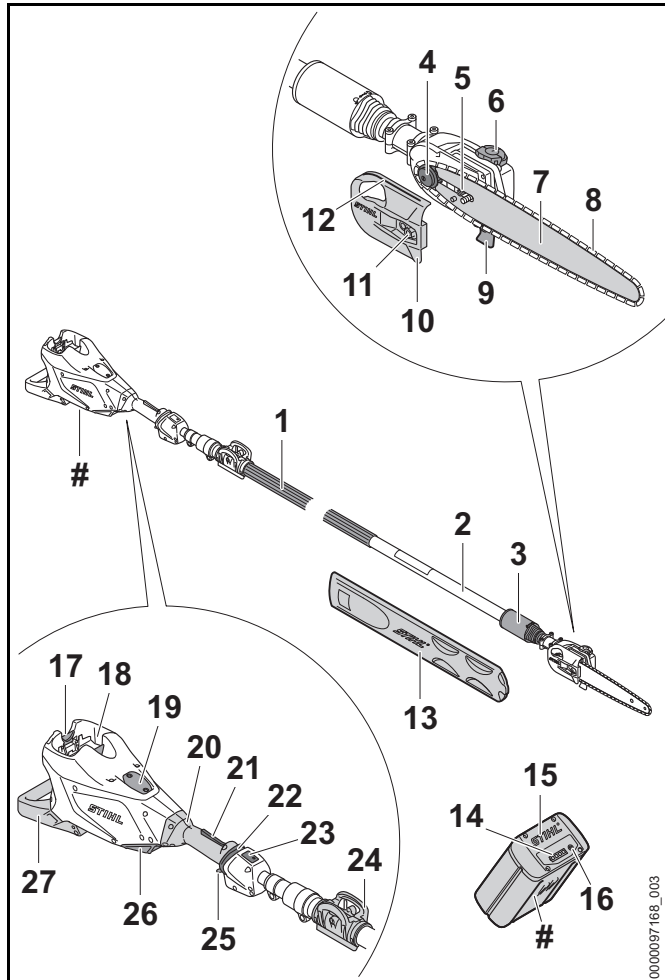
The following symbol is included to assist you with the use of the manual:



Refers to a designated chapter or sub-chapter in this instruction manual.

3 Main Parts

3.1 STIHL HTA 135 Pole Pruner and Battery



1 Front Handle

Handle for the operator's front hand.

2 Drive Tube

Pole pruner shaft.

3 Clamping Nut

For adjusting the length of the drive tube.

4 Chain Sprocket

Drives the saw chain.

5 Side Chain Tensioner

Permits precise adjustment of saw chain tension.

6 Oil Filler Cap

For closing the oil tank.

7 Guide Bar

Supports and guides the saw chain.

8 Saw Chain

Toothed cutting tool consisting of cutters, tie straps and drive links.

9 Hook

Helps hold the pole pruner steady against the branch during cutting.

10 Chain Sprocket Cover

Covers the chain sprocket.

11 Nut

Tightens the chain sprocket cover.

12 Limbing Sight

Helps the operator position the bar and chain for the cut.

13 Chain Scabbard

Covers the guide bar and saw chain to reduce the risk of injury from inadvertent contact during transportation and storage.

14 Battery LEDs

Indicate the battery's state of charge and display error messages regarding potential malfunctions in the battery or power tool.

15 Battery

Supplies electrical power to the motor.

16 Push Button

Activates the battery's LEDs.

17 Locking Levers

Secure the battery in the battery compartment.

18 Battery Compartment

Holds the battery.

19 Mounting Recess Cover¹

Covers the mounting area for a Smart Connector 2 A.

20 Control Handle

Handle for the operator's rear hand.

21 Trigger Switch Lockout

Must be depressed to allow activation of the trigger switch.

22 Retaining Latch

For switching the pole pruner on.

23 LED

Indicate the unit's power level.

24 Harness Clip

For connecting a harness to the pole pruner.

25 Trigger Switch

Activates the saw chain when depressed.

26 Air Filter

Filters the air drawn into the motor.

27 Machine Support

For resting the pole pruner on the ground.

Rating Plate

Contains electrical information and the product's serial number.

¹ Remove the mounting recess cover only to install a Smart Connector 2 A. Store it safely for later reinstallation. Always use the power tool with the mounting recess cover in place or with the Smart Connector 2 A mounted.

4 Safety Symbols on the Products

4.1 Pole Pruner

The following safety symbols are found on the pole pruner.



To reduce the risk of injury, follow the specified safety precautions.



Read and follow all safety precautions in the instruction manual. Improper use can lead to serious or fatal personal injury or property damage.



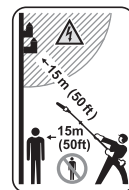
To reduce the risk of eye and head injury, always wear proper eye protection and an approved protective helmet, 6.3.



Wear sturdy boots with non-slip soles. Steel-toed safety boots are recommended, 6.3.



Always wear non-slip, heavy-duty work gloves (e.g. made of leather or other wear resistant material) when handling the machine or saw chain, 6.3.



To reduce the risk of personal injury, keep bystanders at least 50 ft. (15 m) away and maintain a clearance of at least 50 ft. (15 m) between the pole pruner (including any branches it is contacting) and any electrical line carrying live current, 6.5.4.



To reduce the risk of injury or property damage from unintended activation, remove the battery any time the pole pruner is not in use, 6.4.

4.2 Battery

The following safety symbols are found on the AR series backpack battery and the AP series battery:



To reduce the risk of injury, follow the specified safety precautions.



Read and follow all safety precautions in the battery's instruction manual and the manual for the STIHL tool powered by this battery. Improper use can lead to serious or fatal personal injury or property damage.



To reduce the risk of personal injury or property damage from fire, explosion or burns, including chemical burns, do not disassemble, crush, drop, damage or heat above 212 °F (100 °C). Never expose to fire or incinerate, 8.1.



To reduce the risk of personal injury or property damage from fire, use and store only within an ambient temperature range of 14 °F to 122 °F (- 10 °C to 50 °C), 8.1.

AR 900, 1000, 2000, 3000 Backpack Batteries



To reduce the risk of personal injury or property damage from a short circuit, fire or explosion, keep dry. Protect from rain, water, liquids and damp conditions. Never immerse in water or other liquids, 8.1.

AR L Backpack Batteries



To reduce the risk of personal injury or property damage from a short circuit, fire or explosion, keep dry. Never immerse in water or other liquids, 8.1.

AP Series Batteries



To reduce the risk of personal injury or property damage from a short circuit, fire or explosion, keep dry. Never immerse in water or other liquids, 8.1.

Batteries sold separately.

5 General Power Tool Safety Warnings

5.1 Introduction

This chapter contains the prescribed general safety warnings and instructions for handheld, motor-operated electric power tools. Additional important warnings and instructions are provided in subsequent chapters of this manual.

WARNING

- **Read all safety warnings and all instructions.** Failure to follow the warnings and instructions may result in electric shock, fire and/or serious injury.
- **Save all warnings and instructions for future reference.**

The term “power tool” in the warnings refers to your mains-operated (corded) power tool or battery-operated (cordless) power tool.

5.2 Work Area Safety

- a) **Keep work area clean and well lit.** Cluttered or dark areas invite accidents.
- b) **Do not operate power tools in explosive atmospheres, such as in the presence of flammable liquids, gases or dust.** Power tools create sparks which may ignite the dust or fumes.
- c) **Keep children and bystanders away while operating a power tool.** Distractions can cause you to lose control.

5.3 Electrical Safety

- a) **Power tool plugs must match the outlet. Never modify the plug in any way. Do not use any adapter plugs with earthed (grounded) power tools.** Unmodified plugs and matching outlets will reduce the risk of electric shock.
- b) **Avoid body contact with earthed or grounded surfaces, such as pipes, radiators, ranges and refrigerators.** There is an increased risk of electric shock if your body is earthed or grounded.
- c) **Do not expose power tools to rain or wet conditions.** Water entering a power tool will increase the risk of electric shock.
- d) **Do not abuse the cord. Never use the cord for carrying, pulling or unplugging the power tool. Keep cord away from heat, oil, sharp edges or moving parts.** Damaged or entangled cords increase the risk of electric shock.
- e) **When operating a power tool outdoors, use an extension cord suitable for outdoor use.** Use of a cord suitable for outdoor use reduces the risk of electric shock.
- f) **If operating a power tool in a damp location is unavoidable, use a residual current device (RCD) or ground fault circuit interruptor (GFCI) protected supply.** Use of an RCD or GFCI reduces the risk of electric shock.

5.4 Personal Safety

- a) **Stay alert, watch what you are doing and use common sense when operating a power tool. Do not use a power tool while you are tired or under the influence of drugs, alcohol or medication.** A moment of inattention while operating power tools may result in serious personal injury.
- b) **Use personal protective equipment. Always wear eye protection.** Protective equipment such as dust mask, non-skid safety shoes, hard hat, or hearing protection used for appropriate conditions will reduce personal injuries.

- c) **Prevent unintentional starting. Ensure the switch is in the off-position before connecting to power source and/or battery pack, picking up or carrying the tool.** Carrying power tools with your finger on the switch or energizing power tools that have the switch on invites accidents.
- d) **Remove any adjusting key or wrench before turning the power tool on.** A wrench or a key left attached to a rotating part of the power tool may result in personal injury.
- e) **Do not overreach. Keep proper footing and balance at all times.** This enables better control of the power tool in unexpected situations.
- f) **Dress properly. Do not wear loose clothing or jewellery. Keep your hair and clothing away from moving parts.** Loose clothes, jewellery or long hair can be caught in moving parts.
- g) **If devices are provided for the connection of dust extraction and collection facilities, ensure these are connected and properly used.** Use of dust collection can reduce dust-related hazards.
- h) **Do not let familiarity gained from frequent use of tools allow you to become complacent and ignore tool safety principles.** A careless action can cause severe injury within a fraction of a second.

5.5 Power Tool Use and Care

- a) **Do not force the power tool. Use the correct power tool for your application.** The correct power tool will do the job better and safer at the rate for which it was designed.
- b) **Do not use the power tool if the switch does not turn it on and off.** Any power tool that cannot be controlled with the switch is dangerous and must be repaired.
- c) **Disconnect the plug from the power source and/or remove the battery pack, if detachable, from the power tool before making any adjustments, changing accessories, or storing power tools.** Such preventive safety measures reduce the risk of starting the power tool accidentally.
- d) **Store idle power tools out of the reach of children and do not allow persons unfamiliar with the power tool or these instructions to operate the power tool.** Power tools are dangerous in the hands of untrained users.

- e) **Maintain power tools and accessories. Check for misalignment or binding of moving parts, breakage of parts and any other condition that may affect the power tool's operation. If damaged, have the power tool repaired before use.** Many accidents are caused by poorly maintained power tools.
- f) **Keep cutting tools sharp and clean.** Properly maintained cutting tools with sharp cutting edges are less likely to bind and are easier to control.
- g) **Use the power tool, accessories and tool bits etc. in accordance with these instructions, taking into account the working conditions and the work to be performed.** Use of the power tool for operations different from those intended could result in a hazardous situation.
- h) **Keep handles and grasping surfaces dry, clean and free from oil and grease.** Slippery handles and grasping surfaces do not allow for safe handling and control of the tool in unexpected situations.

5.6 Battery Tool Use and Care

- a) **Recharge only with the charger specified by the manufacturer.** A charger that is suitable for one type of battery pack may create a risk of fire when used with another battery pack.
- b) **Use power tools only with specifically designated battery packs.** Use of any other battery packs may create a risk of injury and fire.
- c) **When battery pack is not in use, keep it away from other metal objects, like paper clips, coins, keys, nails, screws or other small metal objects that can make a connection from one terminal to another.** Shorting the battery terminals together may cause burns or a fire.
- d) **Under abusive conditions, liquid may be ejected from the battery; avoid contact. If contact accidentally occurs, flush with water. If liquid contacts eyes, additionally seek medical help.** Liquid ejected from the battery may cause irritation or burns.

- e) **Do not use a battery pack or tool that is damaged or modified.** Damaged or modified batteries may exhibit unpredictable behaviour resulting in fire/explosion or risk of injury.
- f) **Do not expose a battery pack or tool to fire or excessive temperature.** Exposure to fire or temperatures above 130 °C / 265 °F may cause explosion.
- g) **Follow all charging instructions and do not charge the battery pack or tool outside the temperature range specified in the instructions.** Charging improperly or at temperatures outside the specified range may damage the battery and increase the risk of fire.

5.7 Service

- a) **Have your power tool serviced by a qualified repair person using only identical replacement parts.** This will ensure that the safety of the power tool is maintained.
- b) **Never service damaged battery packs.** Service of battery packs should only be performed by the manufacturer or authorized service provider.

6 IMPORTANT SAFETY INSTRUCTIONS

6.1 Intended Use

⚠ WARNING

- This pole pruner is designed for limbing only. It is not designed for prying or shoveling away limbs, roots or other objects. Use of the pole pruner for operations different than intended could result in serious injury or death.
 - Cut wood only. For example, do not use the pole pruner for cutting metal, plastic or masonry.
- Before starting any limbing operation, ensure that all necessary cuts can be completed using the charge remaining in the STIHL AP or AR series battery. If you are unsure:
 - Have multiple charged batteries available for use;
 - Select a more powerful pole pruner;
 - Select a more powerful battery; or
 - Consult a reputable tree service professional.
- Read and follow the operating and use instructions in this manual for approved applications and recommended working techniques.
- Improper use could result in personal injury or property damage, including damage to the pole pruner.
 - Use the pole pruner and battery only as described in this manual.
 - Never attempt to modify or override the pole pruner's controls or safety devices in any way.
 - Never use a pole pruner that has been modified or altered from its original design.
 - Be sure to read and follow the warnings and instructions for your battery and charger before charging or starting work.

- This power tool may be powered by a STIHL AP series battery. Alternatively, it may be powered by a STIHL AR series backpack battery in combination with an AP Adapter.

Batteries, chargers and other accessories are sold separately.

6.2 Operator

⚠ WARNING

- Working with the pole pruner can be strenuous. The operator must be in good physical condition and mental health. To reduce the risk of personal injury from fatigue and loss of control:
 - Check with your doctor before using the pole pruner if you have any health condition that may be aggravated by strenuous work.
 - Do not operate the pole pruner while under the influence of any substance (drug, alcohol or medication, etc.) that might impair vision, balance, dexterity or judgment.
 - Be alert. Do not operate the pole pruner when you are tired. Take a break if you become tired.
 - Do not permit minors to use the pole pruner.
 - Bystanders, especially children, and animals should not be allowed in the area where the pole pruner is in use.
- Prolonged use of a pole pruner (or other power tools) exposing the operator to vibration may produce white finger disease (Raynaud's phenomenon) or carpal tunnel syndrome. These conditions reduce the hand's ability to feel and regulate temperature. They produce numbness and burning sensations and may also cause nerve and circulation damage as well as tissue necrosis.
- All factors which contribute to white finger disease are not known. Cold weather, smoking and diseases or physical conditions that affect blood vessels and blood transport,

as well as high vibration levels and long periods of exposure to vibration, are mentioned as factors in the development of white finger disease.

- To reduce the risk of white finger disease and carpal tunnel syndrome:
 - Wear gloves while working and keep your hands warm.
 - Keep the pole pruner well maintained. An improperly maintained pole pruner or one with loose components will tend to have higher vibration levels.
 - Keep the saw chain sharp. A dull chain will increase cutting time, and pressing a dull chain through wood will increase the vibration transmitted to your hands.
 - Maintain a firm grip at all times, but do not squeeze the handles with constant, excessive pressure. Take frequent breaks.
- These precautions do not guarantee that you will not sustain white finger disease or carpal tunnel syndrome.
 - Closely monitor the condition of your hands and fingers if you are a regular operator.
 - Seek medical advice immediately if any of the above symptoms appear.
- According to STIHL's current knowledge, the electric motor of this pole pruner should not interfere with a pacemaker.
 - However, persons with a pacemaker or other implanted medical device should consult their physician and device manufacturer before operating this pole pruner.

6.3 Personal Protective Equipment

⚠ WARNING

- To reduce the risk of personal injury:
 - Always wear proper clothing and protective apparel, including proper eye protection.
- Loss of control and severe cut injuries may result if hair, clothing or apparel make contact with the moving saw chain or otherwise become entangled in the components of the pole pruner. To reduce the risk of severe personal injury:



- Wear sturdy and snug-fitting clothing that also allows complete freedom of movement.
- Wear overalls or long pants made of heavy material to help protect your legs. Do not wear shorts.
- Avoid loose-fitting jackets, scarves, neckties, flared or cuffed pants, jewelry and any other apparel that could be caught on branches, brush or the moving chain.
- Secure hair above shoulder level before starting work.

- To reduce the risk of eye injury:



- Always wear goggles or close-fitting protective glasses with adequate top and side protection that are impact-rated and marked as complying with CSA Z94.
 - To reduce the risk of injury to your face, STIHL recommends that you also wear a face shield or face screen over your goggles or protective glasses.
- To reduce the risk of head injury from falling branches or other objects encountered during work:
 - Wear an approved protective helmet.
 - Good footing is very important. To help maintain a secure footing and reduce the risk of injury while working:



- Wear sturdy boots with non-slip soles. Steel-toed safety boots are recommended. Do not wear sandals, flip-flops, open-toed or similar footwear.

- To improve your grip and help protect your hands:



- Always wear heavy-duty non-slip work gloves made of leather or another wear-resistant material when handling the pole pruner or its chain.

6.4 Pole Pruner

⚠ WARNING

- To reduce the risk of electric shock:
 - Do not immerse the pole pruner in water or other fluids.
 - Store the pole pruner indoors.
- The saw chain has many sharp cutters. Contacting the cutters may result in serious laceration injuries, even if the chain is not moving. To reduce the risk of such injuries:
 - Keep hands, feet and other parts of your body away from the chain.
 - Wear heavy-duty work gloves when handling the pole pruner or its chain.
 - Never touch a moving chain with your hand or any other part of your body.
 - Cover the guide bar with a chain scabbard before transporting or storing the pole pruner to reduce the risk of injury from inadvertent contact.

- Reactive forces, including kickback, can be dangerous.
 - Pay special attention to the section of this instruction manual on "Kickback and Other Reactive Forces," 7.
- This battery-powered pole pruner is intended only for limbing. Use for other purposes may increase the risk of personal injury and property damage.
 - Cut wood only.
 - Read and follow the operating instructions in this manual for approved applications, 18.4.
- To reduce the risk of personal injury to the operator and bystanders:







- Always release the trigger switch and remove the battery before assembling, transporting, adjusting, inspecting, cleaning, servicing, maintaining or storing the pole pruner, and any other time it is not in use.
- Although certain unauthorized attachments may fit your STIHL pole pruner, their use may be extremely dangerous. Only attachments supplied by STIHL or expressly approved by STIHL for use with this specific model are recommended.
 - Use only attachments supplied or expressly approved by STIHL.
 - Never modify this pole pruner in any way.
 - Never attempt to modify or override the pole pruner's controls or safety devices in any way.
 - Never use a pole pruner that has been modified or altered from its original design.
- If the pole pruner is dropped or subjected to similar heavy impacts:
 - Check that it is undamaged, in good condition and functioning properly before continuing work.
 - Check that the controls and safety devices are working properly, 17.1.
 - Check the LEDs for error messages, 12.


- Check that the battery has not been damaged. Never use or charge a malfunctioning, damaged, cracked, leaking or deformed battery.
- Never work with a damaged or malfunctioning pole pruner or battery. In case of doubt, have the pole pruner and battery checked by your authorized STIHL servicing dealer.
- If the pole pruner or battery is damaged, not working properly, has been left outdoors or dropped into water or other liquid, its components may no longer function properly and safety devices may be inoperative. To reduce the risk of personal injury and property damage:
 - Take the pole pruner and battery to your authorized STIHL servicing dealer to be checked before further operation.
- Genuine STIHL replacement parts are specifically designed to match your pole pruner and meet safety and performance requirements. Use of parts that are not authorized or approved by STIHL may cause serious or fatal injury or property damage.
 - STIHL recommends that only identical STIHL replacement parts be used.

6.5 Using the Pole Pruner


6.5.1 Before Operation

WARNING

- Misuse or unauthorized use may result in personal injury and property damage.
 - Use the pole pruner only as described in this instruction manual.
- For proper assembly of the bar and chain:
 - Read and follow the instructions on mounting the guide bar and chain,  14.6.
- The chain, guide bar and sprocket must match each other in gauge and pitch. Before mounting or replacing:
 - Read the information on guide bar and chain combinations,  26.
 - Read and follow the instructions on kickback and other reactive forces,  7.
 - Select the shortest bar that will meet your cutting needs. Longer bars add weight and may be more difficult to control.
- Proper tension of the chain is extremely important to maximize cutting performance and reduce the risk of personal injury from chain breakage, derailment or reactive forces:
 - Never cut with a loose chain. If the chain becomes loose while cutting, switch off the motor and remove the battery from the pole pruner before tightening the chain. Never attempt to adjust the chain while the battery is inserted.
 - Read and follow the chain tensioning instructions,  14.7.
 - Always make sure the chain sprocket cover is tightened securely after tensioning the chain in order to secure the bar. Never start the pole pruner with a loose or missing chain sprocket cover.
 - Check chain tension once more after tightening the chain sprocket cover.

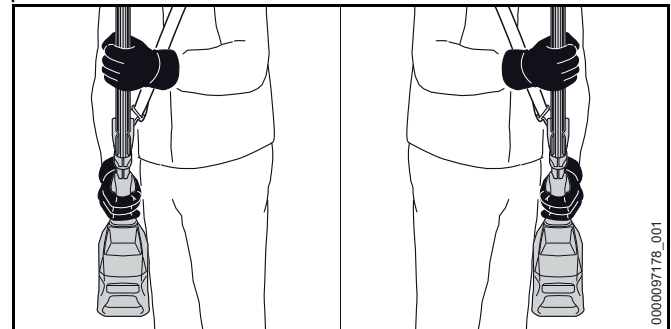
- Check chain tension periodically thereafter at regular intervals (only after removing the battery).
- Using a pole pruner that is modified, damaged, improperly adjusted or maintained, or not completely and securely assembled can lead to a malfunction and increase the risk of serious personal injury or death.
 - Never operate a pole pruner that is modified, damaged, improperly maintained or not completely and securely assembled.
 - Always check your pole pruner for proper condition and operation before starting work, particularly the retaining latch, Ergo-Lever, trigger switch and cutting attachment.
 - Ensure that the retaining latch, Ergo-Lever and trigger switch move freely and spring back into place when released. The trigger switch must not engage until the retaining latch is unlocked.
 - Never attempt to modify or override the controls or safety devices in any way.
 - If your pole pruner or any part is damaged or does not function properly, take it to your authorized STIHL servicing dealer. Do not use the pole pruner until the problem has been corrected.
- Before inserting the battery:
 - Check the contacts in the battery compartment for corrosion or other foreign matter. Keep clean.
 - Never insert or use a malfunctioning, damaged, cracked, leaking or deformed battery.
 - Read and follow the instructions on switching on the pole pruner,  16.1.
- To help reduce the risk of serious personal injury or death from unintentional starting:
 - Release the trigger switch and trigger switch lockout before inserting the battery.
 - Release the trigger switch before removing the battery.

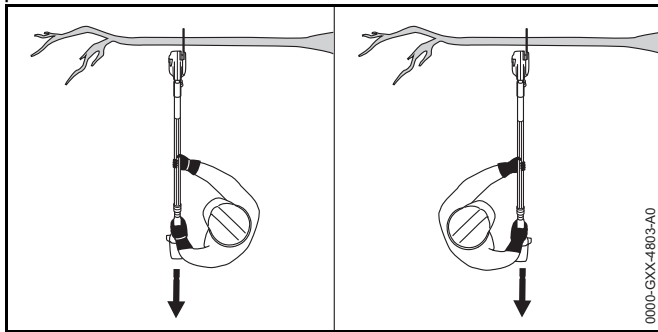




- Remove the battery before assembling, transporting, adjusting, inspecting, cleaning, servicing, maintaining or storing the pole pruner, and any time it is not in use.
 - Never leave the pole pruner unattended when the battery is inserted.
 - Never store the battery in the pole pruner.
- Before switching on your pole pruner, take the following steps to reduce the risk of personal injury from loss of control or inadvertent contact with the chain:
 - Be sure that the guide bar and chain are clear of you and all other obstructions and objects, including the ground.
 - Never attempt to switch on the pole pruner when the guide bar is in a cut or kerf. Doing so could lead to reactive forces and injury.
 - Read and follow the instructions on switching on the pole pruner,  16.1.

6.5.2 Holding and Controlling the Pole Pruner

WARNING





- To maintain a firm grip and properly control your pole pruner:
 - Keep the handles clean and dry at all times. Keep them free of moisture, pitch, oil, grease and resin.
- To reduce the risk of serious or fatal injuries to the operator or bystanders from loss of control:
 - Always hold the pole pruner firmly with both hands on the defined gripping surfaces during work.
 - Wrap your fingers tightly around the handles, keeping the handles cradled between your thumb and forefinger (see illustrations).
 - Position the pole pruner in such a way that all parts of your body are clear of the cutting attachment whenever the battery is inserted. Stand to the left or right of the cut while limbing, outside of the cutting plane (see illustration).
 - Avoid contacting any object with the upper quadrant of the tip of the guide bar. It may cause kickback to occur.
 - Always hold the pole pruner firmly with both hands when you are working.
 - Read and follow all warnings and instructions in the chapter Kickback and Other Reactive Forces,  7.
- One-handed operation makes it difficult to oppose and absorb reactive forces (pushback, pull-in, kickback) without losing control of the pole pruner. It also makes it difficult to prevent the bar and chain from bouncing along a limb. To reduce the risk of serious or fatal injury to the operator or bystanders from loss of control:
 - Never attempt to operate the pole pruner with one hand.
- To reduce the risk of serious or fatal cut injuries to the operator or bystanders from loss of control, keep proper footing and balance at all times:
 - Never work on a ladder, roof, in a tree or while standing on any other insecure support.
 - Take special care in overgrown or wet terrain and always watch for hidden obstacles such as tree stumps, roots, rocks, holes and ditches to avoid stumbling or falling.
 - Be extremely cautious when working on slopes or uneven ground.
 - For better footing, always clear away fallen branches, scrub and cuttings and other material, objects or vegetation that can increase the danger of slipping, tripping or falling.
 - Use extreme caution when cutting small-size brush, branches and saplings because slender material may catch the chain and spring toward you or pull you off balance.
 - Do not overreach. Keep proper footing and balance at all times.
 - Never switch on the pole pruner when the guide bar is in a cut or kerf. Doing so could lead to reactive forces and injury. Instead, remove the guide bar from the cut and re-enter at full speed, taking care to avoid contacting any object with the tip of the guide bar.
 - For a pole pruner with an adjustable shaft, expand the shaft only as far as necessary for the intended application, but never cut directly overhead. Ensure that the pole pruner is positioned no more than 60° from the horizontal plane,  6.5.4.

- Working above shoulder height can be tiring. To reduce the risk of injury from fatigue:
 - Never hold the machine with your rear hand on the control handle above shoulder height.
 - Take frequent breaks.
- The hook is designed to provide greater control of the pole pruner while cutting. If you work without the hook, the pole pruner may pull you forward suddenly. This could cause loss of control or, if the tip of the guide bar strikes an object, kickback.
 - Always work with the hook to maintain better control of the pole pruner.
- Applying pressure to the pole pruner when reaching the end of a cut may cause the bar and rotating chain to accelerate out of the kerf, go out of control and strike some other object. To reduce the risk of injury:
 - Use caution when approaching the end of a cut.
 - Never put pressure on the pole pruner when reaching the end of a cut.
- To reduce the risk of injury to bystanders and unauthorized users:
 - Never leave the pole pruner unattended when the battery is inserted.
 - Switch off the pole pruner and remove the battery during work breaks and any other time the pole pruner is not in use.
- Sparks generated from the operation of the pole pruner may be capable of igniting combustible gases, liquids, vapors, dusts or other combustible materials and substances. To reduce the risk of fire and explosion:
 - Never operate the pole pruner in a location where combustible gases, liquids, vapors, dusts or other combustible materials and substances are present.
 - Read and follow recommendations issued by government authorities (e.g., CCOHS) for identifying and avoiding the hazards of combustible gases, liquids, vapors, dusts or other combustible materials and substances.
- If a rotating chain strikes a rock or other hard object, sparks may be created, which can ignite flammable materials under certain circumstances. Flammable materials can include dry vegetation and brush, particularly when weather conditions are hot and dry.
 - When there is a risk of fire or wildfire, do not use your pole pruner around flammable materials or around dry vegetation or brush.
 - Contact your local fire authorities or the Canadian Forest Service if you have any question about whether vegetation and weather conditions are suitable for the use of a pole pruner.

6.5.3 Working Conditions

WARNING

- Operate your pole pruner only under good visibility during favorable daylight conditions.
 - Postpone the work if the weather is windy, foggy, rainy or inclement.
 - Never cut near power lines.
- Your pole pruner is a one-person machine.
 - Do not allow other persons in the general work area.
 - Bystanders, especially children, and animals should not be allowed in the area where it is in use.
 - Switch off the motor immediately if you are approached.

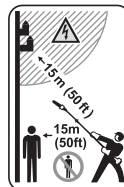
- Using this pole pruner and sharpening its chain can generate dust, oil mist and other substances containing chemicals known to cause respiratory problems, cancer, birth defects and other reproductive harm.
 - Consult governmental agencies such as ECCC, CCOHS and PHAC and other authoritative sources on hazardous materials if you are unfamiliar with the risks associated with the particular substances you are cutting or with which you are working.
- Inhalation of certain dusts, especially organic dusts such as mold or pollen, can cause susceptible persons to have an allergic or asthmatic reaction. Substantial or repeated inhalation of dust or other airborne contaminants, especially those with a smaller particle size, may cause respiratory or other illnesses. This includes wood dust, especially from hardwoods, but also from some softwoods such as Western Red Cedar.
 - Control dust (such as saw dust) and mists (such as oil mist from chain lubrication) at the source where possible.
 - Always work with a properly sharpened chain, which produces wood chips rather than fine dust.
 - To the extent possible, operate the pole pruner so that the wind or operating process directs any dust, mist or other particulate matter raised by the pole pruner away from the operator.
 - When respirable dust or other particulate matter cannot be kept at or near background levels, always wear a respirator that is approved by PHAC and rated for worksite-specific conditions. Follow the recommendations of governmental authorities (e.g., CCOHS/PHAC) and occupational and trade associations.
- If the vegetation being cut or the surrounding ground is coated with a chemical substance, such as pesticide or herbicide:
 - Read and follow the instructions and warnings that accompanied the substance coating the vegetation or surrounding ground.
- Breathing asbestos dust is dangerous and can cause severe or fatal illness, respiratory illness or cancer, including mesothelioma. The use and disposal of asbestos-containing products is strictly regulated by CCOHS and the ECCC.
 - Do not use your pole pruner to cut or disturb asbestos or asbestos-containing products.
 - Stop work immediately and contact the relevant state and local authorities and/or ECCC, your employer or local CCOHS representative if you have reason to believe that you might be disturbing asbestos.
- Repeated contact with waste oil can cause skin cancer and its use is harmful to the environment.
 - Do not use waste oil to lubricate the bar and chain of your STIHL pole pruner.

6.5.4 Operating Instructions

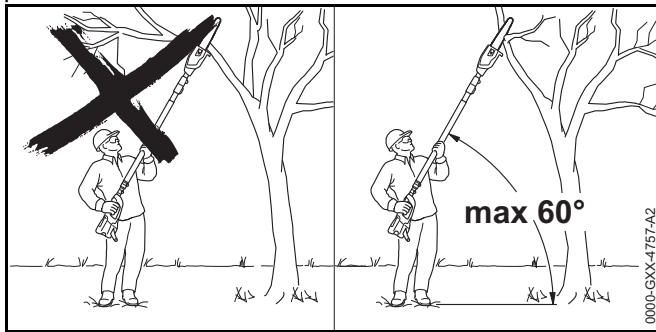
▲ WARNING

- To reduce the risk of severe personal injuries from unintentional starting:
 - Never touch a chain with your hand or any part of your body when the battery is inserted, even when the chain is not rotating.
- To reduce the risk of cut injuries:
 - Keep hands and feet away from the saw chain.
 - Never touch a moving chain with your hand or any other part of your body.
 - Always pull the unit out of the cut with the chain running to reduce the possibility of pinching the cutting attachment.

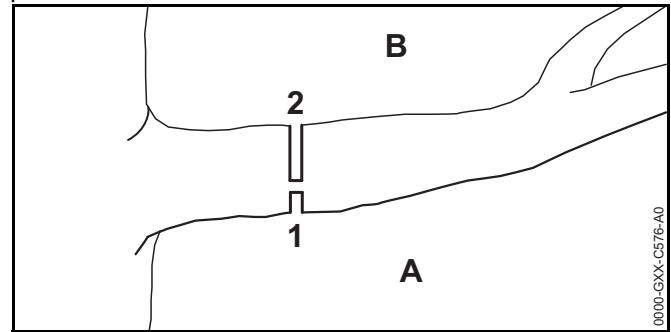
- If the chain becomes clogged, always switch off the motor, remove the battery and make sure the chain has stopped before cleaning.
- If a pinch occurs that traps the bar/chain, switch off the motor and remove the battery before attempting to remove the bar.
- Don't put pressure on the pole pruner when reaching the end of a cut. The pressure may cause the bar and rotating chain to pop out of the cut or kerf, go out of control and strike some other object.
- The chain continues to move for a short period after the trigger switch is fully released.
 - Wait for the chain to stop before walking with the pole pruner or putting it down.
- In the event of an emergency:
 - Switch off the motor immediately and remove the battery.
- Contacting foreign objects while sawing might cause the chain to break or be thrown, or cause the pole pruner to propel dangerous debris or kick back in the direction of the operator. To reduce the risk of severe or fatal personal injury caused by contact with foreign objects:
 - Inspect the branch before cutting.
 - Remove any foreign objects to ensure that the wood is free of materials such as nails, spikes, cables, or wires.
 - Before starting a cut, ensure that it can be completed without contacting surrounding objects or structures such as fencing or stonework.
- The power tool has a large range. To reduce the risk of personal or even fatal injury to bystanders from falling objects or inadvertent contact with the cutting attachment:



- Always keep bystanders at least 50 ft. (15 m) away when the power tool is in use.
- Do not allow other persons in the general work area.
- Check the chain and guide bar at regular short intervals during operation, or immediately if there is a change in cutting behavior:
 - Switch off the motor and remove the battery.
 - Check the condition and tension of the chain. Look for damage to the chain or guide bar.
 - If the chain cannot be properly tensioned, or if other components of the pole pruner are worn or damaged, stop work immediately and take your pole pruner to an authorized STIHL servicing dealer for inspection, repair or maintenance.
- If a tree is rotted, it could snap and fall toward the operator while being cut. To reduce the risk of injury from falling debris, take the following steps before starting work:
 - Observe the general condition of the tree. Inspect for decay or rot in the trunk and branches. Look for dead branches that could vibrate loose and fall on the operator.
 - To prevent a larger branch from splitting, make a shallow relief cut at the bottom of the branch before making a finishing cut from the top. This procedure will help reduce damage to the tree and also help make the fall of the limb more predictable.



- To reduce the risk of severe or even fatal injury from falling objects:
 - Never cut directly overhead. Hold the pole pruner no more than 60° from the horizontal plane (see illustration).
 - Never stand underneath the limb being cut.
 - Watch for falling limbs. Objects may fall in unexpected directions.
 - Establish an escape route away from where the limbs may fall.
 - As soon as the limbed branch starts to fall, step away and keep a sufficient distance away.
 - Keep the work area clear and free of obstacles and fallen limbs. Place all tools and equipment out of your immediate work area and escape route.
- There is an increased danger of pinching the pole pruner when cutting branches under tension. The tension in wood can also release suddenly and with great force, propelling the limb or pole pruner into the operator, causing injury or loss of control.



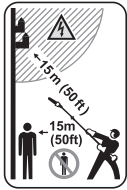
- To reduce the risk of severe or fatal personal injury from loss of control when cutting wood under tension:
 - Always start with a relieving cut (1) at the compression side (A) of the branch, and then make a cross-cut (2) at the tension side (B).
 - If a pinch occurs that traps the bar/chain, switch off the motor, remove the battery and remove the pole pruner from the branch, exercising caution that the limb does not suddenly snap or release.

⚠ DANGER

- Electricity can jump from one point to another by means of arcing. Higher voltage increases the distance electricity can arc. Electricity can also move through branches, especially if they are wet. To reduce the risk of electrocution:



- Never operate this pole pruner in the vicinity of any wires or cables that may be carrying electric current. Look carefully for concealed wires before starting work.
- Never cut near power lines.
- Hold the power tool only at the designated gripping surfaces, but do not rely on them for protection against electric shock. This pruner is not insulated.



- Maintain a clearance of at least 50 ft. (15 m) between the pole pruner (including any branches it is contacting) and any electrical line carrying live current.
- Before working with less clearance, contact your electric utility and make sure the current is turned off.

7 Kickback and Other Reactive Forces

7.1 Reactive Forces

⚠ WARNING

- Reactive forces may occur any time the chain is rotating. Reactive forces can cause serious or fatal personal injury.
- The powerful forces used to cut wood can be reversed and work against the operator. If the rotating saw chain is suddenly and significantly slowed or stopped by contact with any solid object such as a branch, or is pinched, the reactive forces may occur instantly.
- These reactive forces may result in loss of control, which, in turn, may cause serious or fatal injury.
 - An understanding of the causes of these reactive forces may help you avoid the element of surprise and loss of control. Surprise contributes to accidents.
- Because of the design of the pole pruner, the reactive forces experienced when working with it are generally not as severe as those encountered with a chain saw.
 - Nevertheless, always maintain a proper grip and good footing to control the pole pruner when you experience such forces.

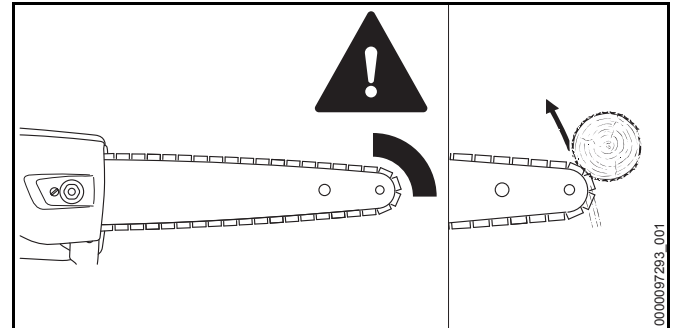
The most common reactive forces are:

- Kickback

- Pull-in
- Pushback

7.2 Kickback

7.2.1 Kickback



⚠ WARNING

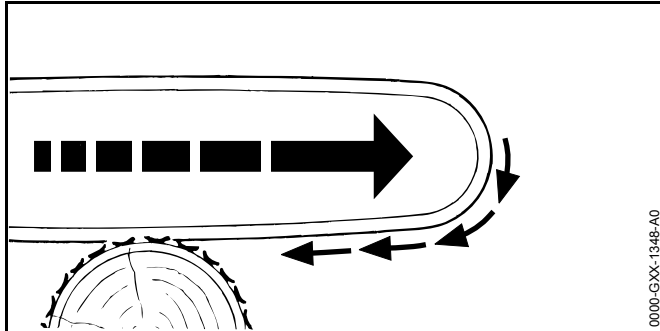
- Kickback may occur when the moving chain near the upper quadrant of the bar nose contacts a solid object or is pinched.
- When this occurs, the energy driving the chain can create a force that moves the pole pruner in a direction opposite to the chain movement at the point where the chain is slowed or stopped. This may cause the bar to move upward.

7.2.2 To Avoid Kickback

The best protection from personal injury that may result from kickback is to avoid kickback situations:

- 1) Be aware of the location of the guide bar nose at all times.
- 2) Never let the nose of the guide bar contact any object. Do not cut limbs with the nose of the guide bar. Be especially careful near wire fences and when cutting small, tough limbs, which may easily catch the chain.
- 3) Cut only one limb at a time.

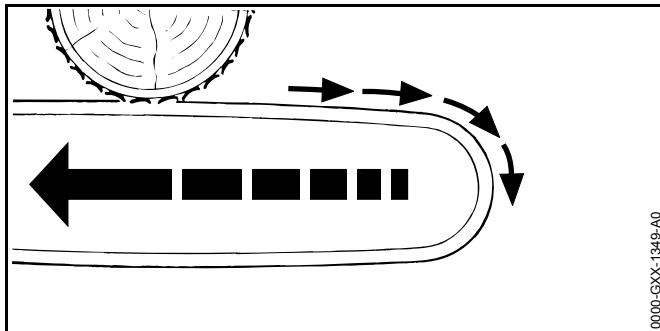
7.3 Pull-in



⚠ WARNING

- Pull-in occurs when the chain on the bottom of the bar is suddenly stopped or significantly slowed when it is pinched, caught or encounters a foreign object in the wood. The reaction of the chain pulls the pole pruner forward.
- Pull-in usually occurs when the chain is not rotating at full speed before it contacts the wood.
- To reduce the risk of pull-in:
 - Be alert to forces or situations that may cause material to pinch the chain at the bottom of the bar.
 - Always start a cut with the chain rotating at full speed.

7.4 Pushback



⚠ WARNING

- Pushback occurs when the chain on the top of the bar is suddenly stopped or significantly slowed when it is pinched, caught or encounters a foreign object in the wood. The reaction of the chain may drive the pole pruner rapidly straight back toward the operator.
- Pushback usually occurs when the top of the bar is used for cutting.
- To reduce the risk of pushback:
 - Be alert to forces or situations that may cause material to pinch or bind the top of the bar.
 - Do not cut more than one limb at a time.
 - Do not twist the bar when withdrawing it from an underbuck cut because the chain can pinch or bind.

8 Battery Safety

8.1 Warnings and Instructions

⚠ WARNING

- Read and follow the safety precautions on the battery and all warnings and instructions that accompany it.

- Use of unauthorized batteries can damage the power tool and result in fire, explosion and personal injury and property damage.
 - Use only genuine STIHL AR or AP series batteries with this power tool.
- Use of STIHL AR or AP series batteries for any purpose other than powering STIHL products could be extremely dangerous.
 - Use STIHL AR and AP series batteries only to power compatible STIHL products.
- Use of unauthorized chargers can damage the battery and result in fire, explosion and personal injury and property damage.
 - Charge STIHL AP series batteries only with genuine STIHL AL 101, AL 300 or AL 500 series chargers.
 - Charge STIHL AR series backpack batteries only with genuine STIHL AL 300 or AL 500 series chargers.
- The battery contains safety features and devices which, if damaged, may allow the battery to generate heat, rupture, leak, ignite or explode.



- Never heat the battery above 212 °F (100 °C).
- Never incinerate or place the battery on or near fires, stoves or other high-temperature locations.
- Never use or charge a malfunctioning, damaged, cracked, leaking or deformed battery.
- Never open, disassemble, crush, drop, subject to heavy impact or otherwise damage the battery.
- Never expose the battery to microwaves or high pressures.
- Never insert objects into the battery's cooling slots.
- Extreme temperatures may cause the battery to generate heat, rupture, leak, ignite or explode, resulting in severe or fatal personal injury and property damage. Exposure to temperatures outside the recommended temperature range may also reduce battery life and performance.



- Use and store the battery only within an ambient temperature range of 14 °F to 122 °F (-10 °C to 50 °C).
- Never store the battery in direct sunlight or inside a vehicle in hot weather.
- To reduce the risk of personal injury and property damage in the event the battery emits smoke, an unusual smell or feels unusually hot while using, charging or storing:
 - Immediately discontinue using or charging the battery. Contact the authorities in the event of fire or explosion.
- To reduce the risk of a short circuit, which could lead to electric shock, fire and explosion:



- Keep STIHL AR 900, 1000, 2000, 3000 backpack batteries dry. Protect from rain, water and other liquids. Attach the rain cover to a STIHL AR 1000, 2000, 3000 battery before starting work in rain or in very damp conditions.
- If a STIHL AP or AR L battery has been exposed to rain during work, remove it from the product and allow it to dry indoors. Make sure it is completely dry before charging or using.
- Never immerse any STIHL battery in water or other liquids.



- Never bridge the battery terminals with wires or other metallic objects.
- Keep a battery that is not in use away from metal objects (e.g., paper clips, nails, coins, keys).
- Never transport or store the battery in a metal container.
- Store the battery indoors in a dry room.
- Never store the battery in damp or corrosive environments or in conditions that could lead to corrosion of its metal components.
- Protect the battery from exposure to corrosive agents such as garden chemicals and de-icing salts.

- Protect the battery from exposure to conductive liquids such as salt water.
- Do not attempt to repair, open or disassemble the battery. There are no user-serviceable parts inside.
- Leaking battery fluid is potentially harmful and can cause skin and eye irritation, chemical burns and other serious personal injury.
 - Avoid contact with skin and eyes.
 - Use an inert absorbent such as sand on spilled battery fluid.
 - In the event of accidental contact, immediately rinse the contact area thoroughly with mild soap and water.
 - If fluid gets into your eye(s): do not rub. Rinse water over the open eye(s) for at least 15 minutes and seek medical attention.
- A battery fire can be dangerous. To reduce the risk of severe personal injury and property damage in the event of fire:
 - Evacuate the area. Fire can spread rapidly. Stay clear of any vapors generated and maintain a safe distance.
 - Contact the fire department.
 - Although water can be used to put out a battery fire, use of a multi-purpose dry chemical fire extinguisher is preferable.
 - Consult the fire department regarding proper disposal of a burned battery.

9 Maintenance, Repair and Storage

9.1 Warnings and Instructions

WARNING

- There are no user-authorized repairs for the battery or pole pruner. To reduce the risk of fire, electric shock or other personal injury and property damage:
 - Users may carry out only the cleaning and maintenance operations described in this manual.
 - Strictly follow the cleaning and maintenance instructions in the appropriate sections of this instruction manual.
 - STIHL recommends that all repair work be performed by authorized STIHL servicing dealers.

- Unintentional starting may result in personal injury or property damage. To reduce the risk of personal injury and property damage from unintentional starting:



- Remove the battery before inspecting the pole pruner or carrying out any cleaning, maintenance or repair work, before storing, and any other time it is not in use.
- The bar and chain are the only user-serviceable parts of the pole pruner. Proper maintenance will help maintain cutting performance and reduce the risk of personal injury caused by chain derailment and reactive forces.
 - Wear gloves when handling the saw chain.
 - Keep the chain, guide bar and sprocket clean.
 - Replace the chain and guide bar when they become worn or damaged.
 - Keep the chain sharp and at proper tension.
 - Tighten all nuts, bolts and screws after each use.
- Return the pole pruner immediately for maintenance whenever there is a change in its operating characteristics.

10 Before Starting Work

- Use of parts that are not authorized or approved by STIHL may cause serious or fatal injury or property damage.
 - STIHL recommends that only identical STIHL replacement parts be used for repair or maintenance.
- To reduce the risk of short circuit and fire:
 - Keep the battery guides free of foreign matter. Clean as necessary with a dry cloth or soft, dry brush.
- Improper storage can result in unauthorized use, damage to the pole pruner and battery, and an increased risk of fire, electric shock and other personal injury or property damage.
 - Remove the battery from the pole pruner before storing.
 - Never store the pole pruner or charger with the battery inserted.
 - Store the pole pruner and battery indoors in a dry, secure place that cannot be accessed by children or other unauthorized users.
 - Never store the battery in the pole pruner, in the charger, in a metal container or in a container with metal objects (e.g., paper clips, nails, coins, keys).




NOTICE







Always release tension on the chain after finishing work. The chain contracts as it cools down. If it is not slackened, it can damage the drive shaft and bearings. Properly re-tension the chain before using the pole pruner again.

10 Before Starting Work

10.1 Preparing the Pole Pruner for Operation

Before starting work:

- ▶ Fully charge the battery,  11.
- ▶ Assembling the Pole Pruner,  14.
- ▶ Mount the guide bar and saw chain,  14.6.

- ▶ Tension the chain,  14.7.
- ▶ Fill the chain oil tank,  14.8.2.
- ▶ Check the controls for proper function and condition,  17.1.
- ▶ Check the chain oil flow rate,  17.2.
- ▶ Adjust the length of the drive tube,  18.1.
- ▶ Put on and adjust the shoulder strap,  18.3.

11 Charging the Battery

11.1 Setting up the Charger

WARNING

Read and follow the safety precautions on the battery and charger and all warnings and instructions that accompany those products. To reduce the risk of short circuit, which could lead to electric shock, fire and explosion, make sure the charger and its components are dry and not damaged; operate the charger indoors at an appropriate ambient temperature.

WARNING

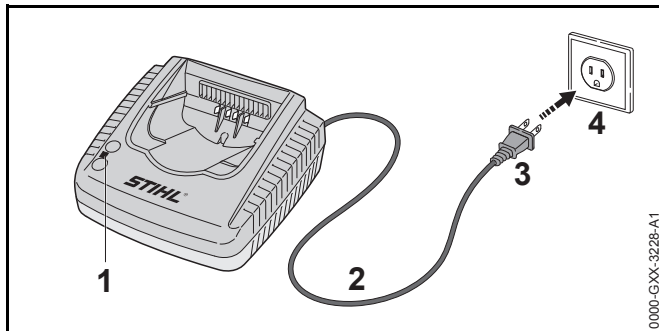
A typical household electric circuit is between 15 and 20 amps. A single STIHL AL 500 charger draws approximately 4.8 amps. A single AL 300 charger draws approximately 4.4 amps. To reduce the risk of fire from overloading an electrical circuit:

- ▶ Ensure the electrical system is rated to withstand the expected electrical draw before charging your battery.
- ▶ Charge multiple batteries one at a time or on separate circuits, unless you know your circuit can handle the total expected draw from multiple chargers.

WARNING

Since the charger heats up during the charging process, do not operate the charger on a combustible surface or in a location where combustible gases, liquids, vapors, dusts or other materials and substances are present.

To set up the charger:



- ▶ Insert the plug (3) into a properly installed electrical outlet (4) matching the voltage and electrical frequency stated on the charger's rating plate.

The charger runs a self-test immediately after it is plugged in. The charger LED (1) will glow green for about 1 second, then it will glow red briefly before going out. Once the LED goes out, the self-test is complete and the charger is ready to charge the battery.

- ▶ Position the power supply cord (2) so that it will not be stepped on, tripped over, come in contact with sharp objects or moving parts or otherwise be subjected to damage or stress.

11.2 Charging

! WARNING

STIHL batteries contain safety features and devices which, if damaged, may allow the battery to generate heat, rupture, leak, ignite or explode. Never charge a malfunctioning, damaged, cracked, leaking or deformed battery, or use a charger that has been damaged. Never insert a wet battery or battery adapter. Never use a wet charger. Follow all product-specific warnings and instructions accompanying your battery and charger.

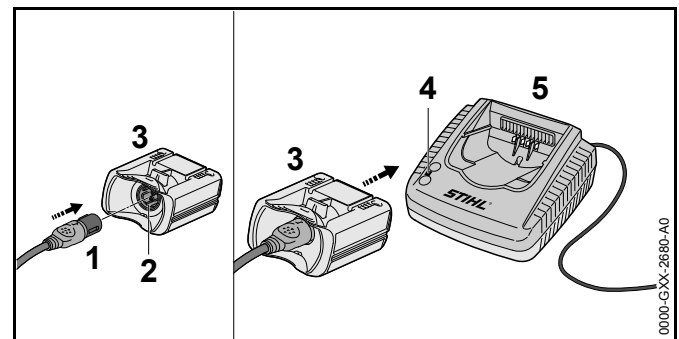
A battery is not fully charged when it ships from the factory. STIHL recommends that you fully charge the battery before using it the first time.

Operate the charger only indoors, in dry rooms and within an ambient temperature range of 41 °F to 104 °F (5 °C to 40 °C).

The battery heats up during operation of the power tool. If a hot battery is connected to the charger, it may be necessary for it to cool down before charging starts. The charging process begins only after the battery has cooled down sufficiently.

Charging time depends on a number of factors, including battery condition and the ambient temperature. For a complete list of approximate charging times, see www.stihl.com/charging-times.

To charge an AR battery:

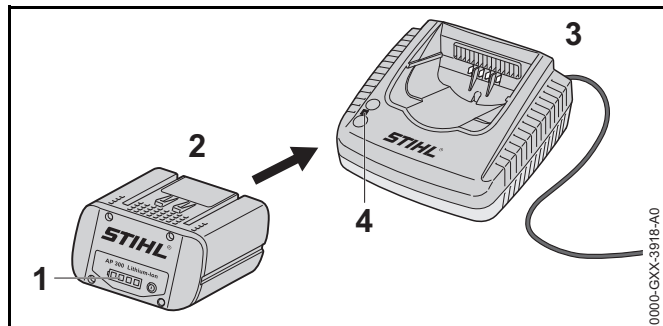


- ▶ Push the plug of the connecting cord (1) into the socket (2) of the AP Adapter (3) until it stops.
- ▶ Push the AP Adapter into the charger (5) until it stops. The LED on the **charger** (4) glows green when the battery is charging.

The LEDs on the **AR battery** glow green and show the state of charge.

When the LEDs on the battery turn off, the charging process is complete and the charger will shut itself off. The AP Adapter can be removed from the charger.

- ▶ Disconnect the power supply cord from the electrical outlet when the charger is not in use for extended periods of time.
- ▶ Charge STIHL AR backpack batteries only with genuine STIHL AL 300 or AL 500 series chargers.

To charge an AP battery:

- ▶ Push the battery (2) into the charger (3) until it stops. The LED on the **charger** glows green when the battery is charging.

The LEDs (1) on the **AP battery** glow green and show the state of charge.

When the LEDs on the battery go out, the charging process is complete and the charger will shut itself off. The AP battery can be removed from the charger.

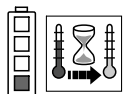
- ▶ Disconnect the power supply cord from the electrical outlet when the charger is not in use.
- ▶ Charge STIHL AP series batteries only with genuine STIHL AL 101, AL 300 or AL 500 series chargers.

12 LED Diagnostics and Acoustic Signals

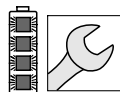
12.1 STIHL AP Battery

12.1.1 Battery Status

Four LEDs show the status of the battery. These LEDs can glow or flash green or red.



If one LED glows red continuously: the battery is either too hot or too cold. Allow the battery to warm up or cool down gradually at an ambient temperature of about 50 °F to 68 °F (10 °C to 20 °C).



If all 4 LEDs flash red: the battery has a malfunction and must be replaced. Do not attempt to charge, use or store the battery.

12.1.2 Power Tool Status

The same LEDs on the battery will indicate the status of the power tool.

If three LEDs glow red continuously: the power tool motor is too hot. Allow the motor to cool down.

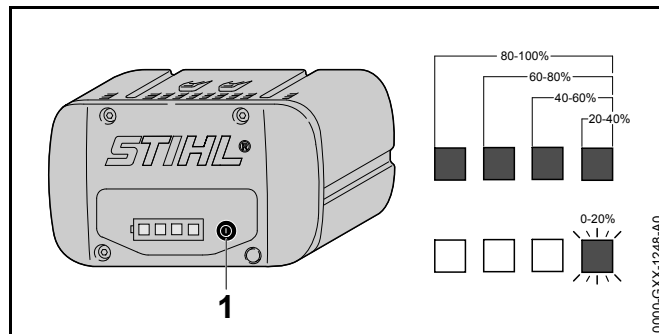
If three LEDs flash red when you activate the trigger switch: the power tool has an electrical malfunction. Do not operate the power tool. Have it checked by an authorized STIHL servicing dealer before use or storage.

For troubleshooting information, 24.

12.1.3 Charge Status

The LEDs on the battery also show the battery's state of charge.

To determine the battery's state of charge:



- ▶ Press the button (1) on the battery. The LEDs on the battery will glow or flash green for about 5 seconds and indicate the state of charge (see illustration).

For example:

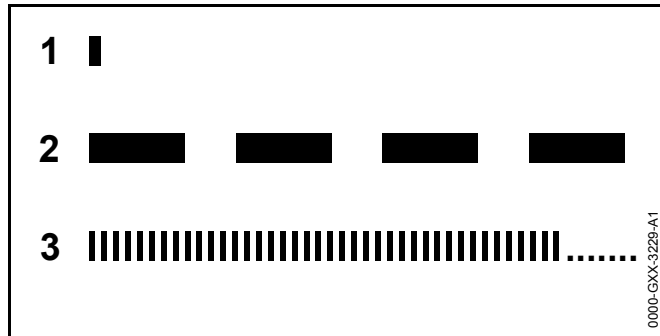
If four green LEDs glow continuously: full charge.

If one green LED is flashing: less than 20 % charge.

12.2 STIHL AR Backpack Battery

12.2.1 Battery Status

Six LEDs and an acoustic signal indicate the status of the battery.



1 A short beep

The acoustic signal works as it should.

2 Four or six (AR L) long beeps

The battery's charge is low. Recharge the battery.

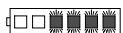
3 Rapid succession of short beeps

There is a malfunction in the battery. The signal stops automatically after a few seconds. Do not attempt to charge, use or store the battery. Replace the battery.

These LEDs can glow or flash green or red.



If one LED glows red continuously: the battery is either too hot or too cold. Allow the battery to warm up or cool down gradually at an ambient temperature of about 50 °F to 68 °F (10 °C to 20 °C).



If the four right side LEDs flash red and a rapid succession of several short beeps is emitted: the battery has a malfunction and must be replaced. Do not attempt to charge, use or store the battery.



- Be aware that your ability to hear the acoustic signal may be reduced when wearing hearing protection.

12.2.2 Power Tool Status

When the battery is connected to the power tool, the same LEDs on the battery will indicate the status of the power tool.

If three LEDs glow red continuously: the power tool motor is too hot. Allow the motor to cool down.

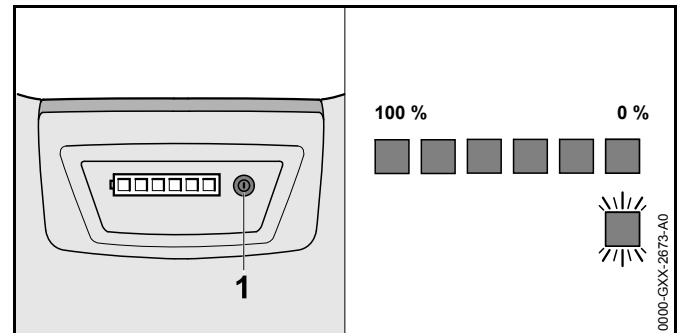
If three LEDs flash red when you activate the trigger switch: the power tool has an electrical malfunction. Do not operate the power tool. Have it checked by an authorized STIHL servicing dealer before use or storage.

For troubleshooting information, 24.

12.2.3 Charge Status

The LEDs and acoustic signals on the battery also indicate the battery's state of charge.

To determine the battery's state of charge:



- Press the button (1) on the backpack battery.

A single short beep will be emitted. The LEDs on the battery will glow or flash green for about 5 seconds and indicate the state of charge (see illustration).

For example:

If six green LEDs glow continuously: full charge.

If one green LED is flashing and four long beeps are emitted: less than 20 % charge.

13 STIHL AR Backpack Battery

13.1 Positioning and Adjusting the Connecting Cord

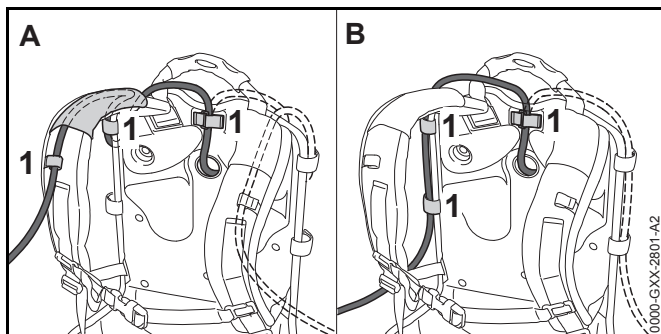
⚠ WARNING

To reduce the risk of injury from tripping or losing control of the power tool, always secure the connecting cord through the backpack guides and with the hook and eye fasteners as described below. Position and secure the connecting cord so that it will not interfere with proper working technique or your ability to maintain control of the power tool.

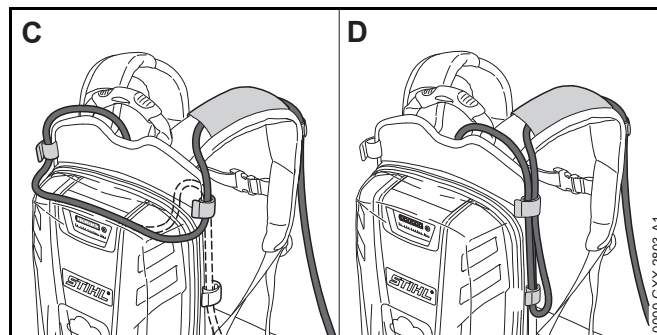
⚠ WARNING

Manage the cord to prevent it from contacting the cutting/working attachment or catching on objects, which could cause you to lose balance or control of the power tool, resulting in serious personal injury and property damage.

The connecting cord can be secured in different positions and adjusted to suit the height and reach of the operator.



The connecting cord can run through the guide on the shoulder strap (Illustration A), or along the back plate (Illustration B). Secure the connecting cord to the backpack frame with the hook and eye fasteners (1). Always secure the connecting cord using the guide or hook and eye fasteners on the side of the body on which the power tool is held and controlled. Do not allow the connecting cord to swing across your body or hang at your side.



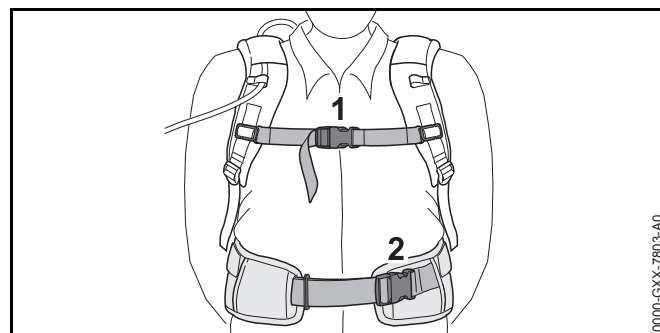
The length of the connecting cord can be adjusted by making a loop around the top (Illustration C) or on the side (Illustration D) of the backpack battery with the hook and eye fasteners.

13.2 Putting on the Harness

⚠ WARNING

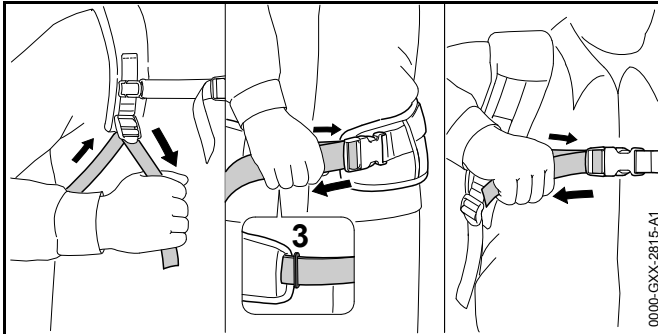
To reduce the risk of personal injury, the operator must be able to remove the backpack battery quickly in the event of an emergency. In an emergency, open and remove the waist belt and chest strap quickly before dropping the battery to the ground.

To ensure a proper fit:



- ▶ Put the backpack battery on your back.
- ▶ Fasten and adjust the waist belt (2) so that it rests comfortably but securely on your hips.

- ▶ Fasten the chest strap (1) and adjust it so that it fits comfortably but securely across your chest.



- ▶ Adjust the harness straps so that the back padding fits firmly and securely against your back.
- ▶ Thread the end of the waist belt through the loop (3).
- ▶ To remove the harness, open the quick-release fasteners on the waist belt and chest strap and loosen the harness straps by lifting the sliding adjusters.

To help reduce the risk of injury in the event of an emergency, practice quickly opening the fasteners on the waist belt and chest strap, loosening the shoulder straps and removing the battery.

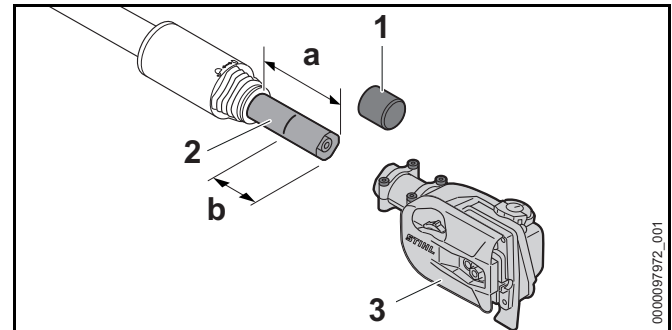
NOTICE

To avoid damage, ease the battery to the ground when practicing. Do not allow the battery to drop to the ground and do not throw it.

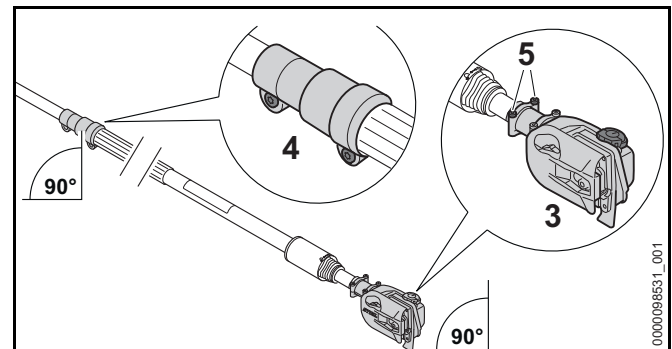
14 Assembling the Pole Pruner

14.1 Mounting the Gearbox

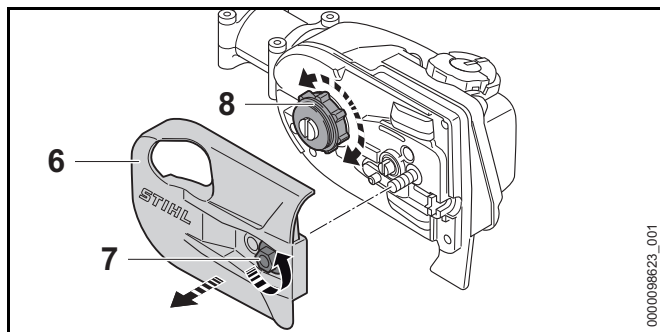
- ▶ Switch off the pole pruner, 16.2.
- ▶ Remove the battery, 15.2.



- ▶ Remove the cap (1) from the square end of the drive tube (2).
- ▶ Adjust the length of the drive tube to $a = 3.9$ in. (10 cm), 18.1.
- ▶ Mark the drive tube at $b = 2.4$ in. (6 cm).
- ▶ Push the gearbox onto the drive tube up to the mark b.



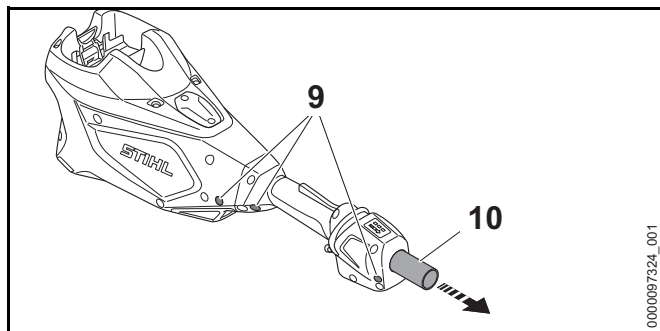
- ▶ Align the clamping sleeve (4) and gearbox (3) as shown. Make sure the clamping sleeve screws are on the underside of the drive tube and the oil cap on the gearbox is facing up.
- ▶ Tighten the screws (5).



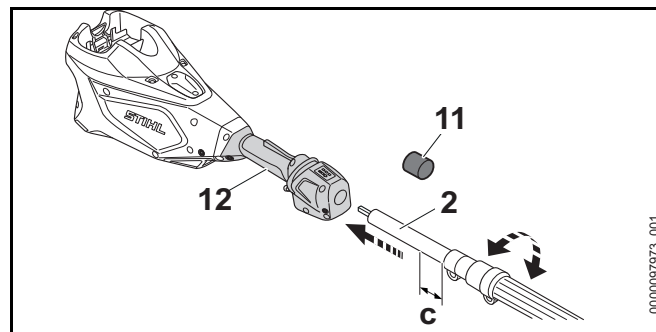
- ▶ If the gearbox cannot be pushed onto the drive tube up to mark b:
 - ▶ Remove the chain sprocket cover (6) by turning the nut (7) counterclockwise.
 - ▶ Turn the chain sprocket (8) until you can push the gearbox to mark b on the drive tube.
 - ▶ Replace the chain sprocket cover and secure the nut after mounting your bar and chain, 14.6.1.

14.2 Mounting the Motor Housing

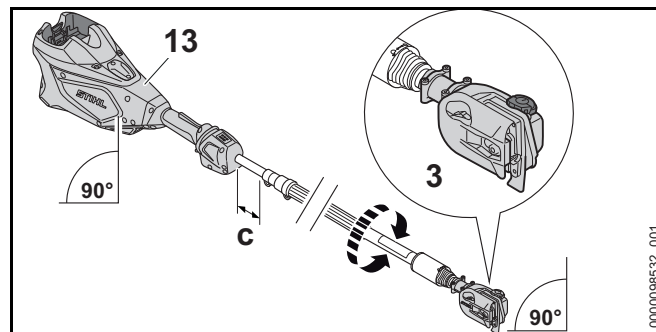
- ▶ Switch off the pole pruner, 16.2.
- ▶ Remove the battery, 15.2.



- ▶ Loosen the screws (9).
- ▶ Remove the protective tubing (10).



- ▶ Remove the cap (11) from the round end of the drive tube (2).
- ▶ Rotate the drive tube until it can be inserted into the opening in the control handle (12). This may require rotating the drive shaft back and forth until the two align.
- ▶ Push it in direction of the control handle until $c = 0.8$ in. (2 cm).



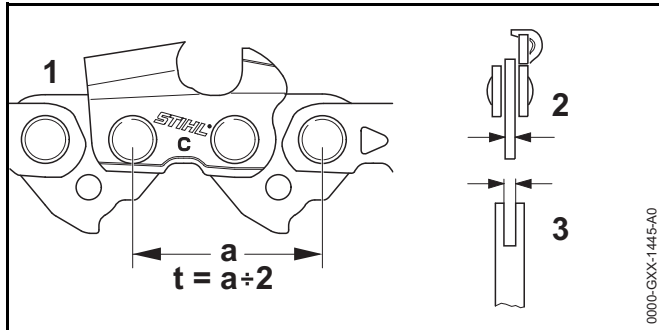
- ▶ Align the motor housing (13) and gearbox (3) as shown. Make sure the battery opening and oil cap are facing up.
- ▶ Tighten the screws (9).

14.3 Cutting Attachment

WARNING

If non-matching components are used, the cutting attachment will be damaged beyond repair after a short period of operation, and the chain could de-rail, resulting in serious or fatal personal injury.

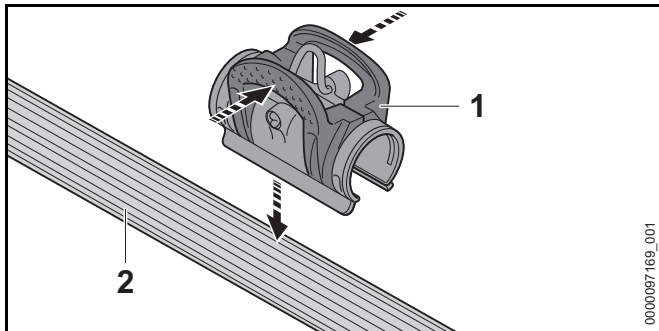
A cutting attachment consists of the chain, guide bar and chain sprocket.



- The pitch (t) of the chain (1), must match the pitch of the chain sprocket.
- The drive link gauge (2) of the chain must match the groove width of the guide bar (3).

14.4 Mounting the Harness Clip

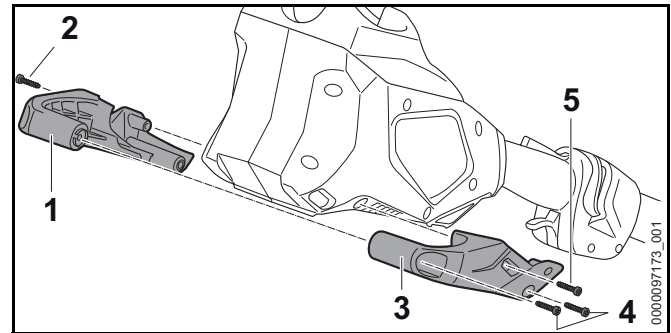
- ▶ Switch off the pole pruner, 16.2.
- ▶ Remove the battery, 15.2.



- ▶ Press the harness clip (1) together and place it on the front handle (2).

14.5 Mounting the Machine Support

- ▶ Switch off the pole pruner, 16.2.
- ▶ Remove the battery, 15.2.



- ▶ Position the left half of the machine support (1) against the side of the motor housing.
- ▶ Insert screw (2).
- ▶ Position the right half of the machine support (3) against the side of the motor housing.
- ▶ Insert screw (5).
- ▶ Insert and tighten screws (4).
- ▶ Tighten screws (2) and (5).

14.6 Mounting and Removing the Guide Bar and Chain

14.6.1 Mounting the Guide Bar and Chain



WARNING

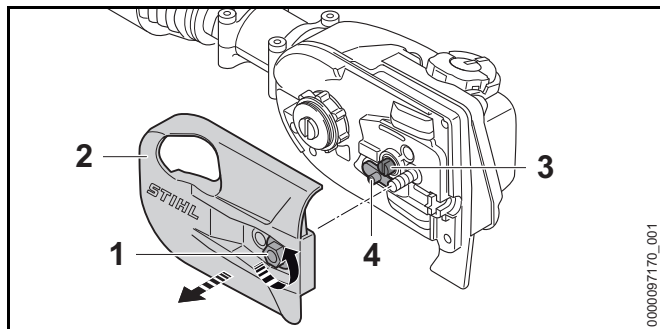
Make sure the battery is removed before starting assembly. Never operate your pole pruner without a properly mounted guide bar and chain, 6.5. Use only guide bar and chain combinations expressly recommended or approved by STIHL, 6.4.

WARNING

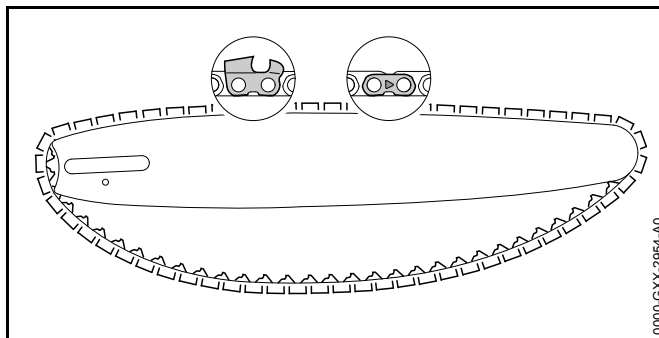
The chain has many sharp cutters. If they contact your flesh, they will cut you, even if the chain is not moving, 6.4. Always wear heavy-duty work gloves when mounting or otherwise handling the chain, 6.3.

To mount the guide bar and chain:

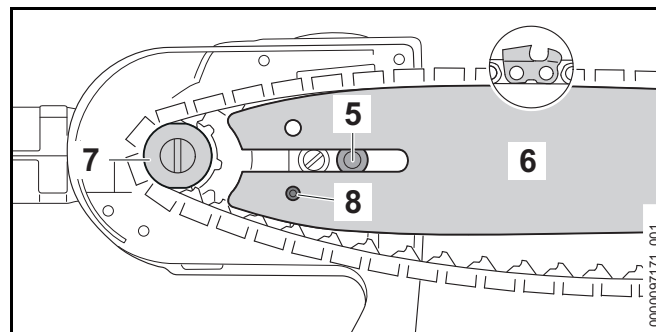
- ▶ Switch off the pole pruner,  16.2.
- ▶ Remove the battery,  15.2.



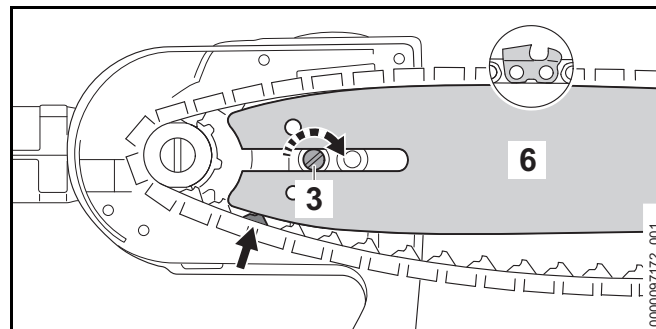
- ▶ Turn the nut (1) counterclockwise until the chain sprocket cover (2) can be removed.
- ▶ Remove the chain sprocket cover.
- ▶ Turn the side chain tensioner (3) counter-clockwise until the tensioning gear (4) sits flush against the housing.



- ▶ Position the chain in the groove of the guide bar, starting at the tip.
- ▶ Make sure that the cutters in the groove on the top side of the guide bar face the tip of the bar. STIHL chains are manufactured with arrows on the tie straps to help the operator determine the proper direction of the chain. Arrows on the tie straps on the top of the bar must point toward the bar tip.



- ▶ Point the guide bar tip away from the chain sprocket (7).
- ▶ Place the chain around the chain sprocket.
- ▶ Slide the guide bar (6) over the collar screw (5). The head of the collar screw must protrude into the oblong hole.
- ▶ Fit the pin of the tensioning gear in the hole (8) of the guide bar.



- ▶ Direct the drive links into the groove of the guide bar (6, arrow) while turning the side chain tensioner (3) clockwise until it stops. The guide bar and chain must be firmly and securely mounted on the pole pruner.
- ▶ Fit the sprocket cover on the pole pruner so that it is flush with the housing.
- ▶ Turn the nut clockwise until the chain sprocket cover is firmly attached to the pole pruner.

14.6.2 Removing the Guide Bar and Chain

- ▶ Unscrew the nut securing the chain sprocket cover.


- ▶ Remove the chain sprocket cover.
- ▶ Turn the side chain tensioner counterclockwise until it stops and the chain is loose.
- ▶ Remove the guide bar and chain.

NOTICE



The top and bottom of the guide bar are symmetrical, and the bar may be mounted with the printing facing up or down. Flipping the guide bar each time the chain is sharpened or changed will help reduce uneven wear and improve its service life.

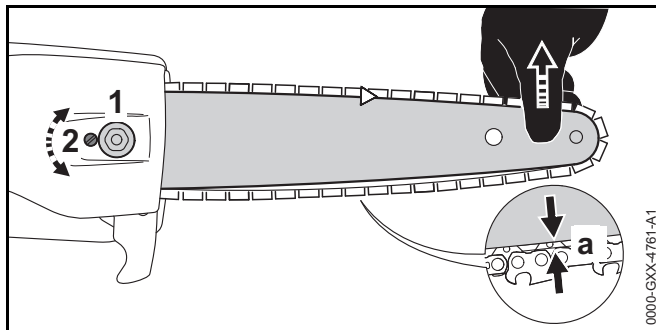
14.7 Tensioning the Chain

⚠ WARNING

To reduce the risk of severe personal injury from chain derailment, check chain tension frequently,  6.5. At operating temperatures, the chain stretches and sags. New chain tends to stretch more than used chain. Tension the chain so that the drive links cannot come out of the groove on the underside of the guide bar.

To properly tension the chain:

- ▶ Switch off the pole pruner,  16.2.
- ▶ Remove the battery,  15.2.



- ▶ Loosen the nut (1).
- ▶ Lift the guide bar tip.

- ▶ Turn the side chain tensioner (2) clockwise to tighten the chain.
The chain is properly adjusted when the distance between the underside of the guide bar and the chain (a) is between 0.04 in. (1 mm) and 0.08 in. (2 mm) and can still be pulled easily along the bar by hand. Always wear gloves when handling the chain.
- ▶ If the chain cannot be moved along the guide bar, it is too tight.
 - Reduce the tension by turning the side chain tensioner counterclockwise until the chain can move freely along the guide bar.
 - Ensure that the drive links remain in the groove and that the distance between the underside of the guide bar and the chain (a) is between 0.04 in. (1 mm) and 0.08 in. (2 mm).
- ▶ Once the chain is properly tensioned, lift the guide bar tip and tighten the nut to secure the chain sprocket cover.
- ▶ Finally, ensure that the distance between the underside of the guide bar and the chain (a) is between 0.04 in. (1 mm) and 0.08 in. (2 mm).

NOTICE

Always release tension on the chain after finishing work. The chain contracts as it cools down. If it is not slackened, it can damage the drive shaft and bearings. Properly re-tension the chain before using the pole pruner again.

14.8 Lubricating the Saw Chain and Guide Bar

14.8.1 Bar and Chain Lubricant

⚠ WARNING

Never operate your pole pruner without bar and chain lubrication. If the chain runs dry, the cutting attachment will be damaged beyond repair within a very short time. A damaged chain may break, resulting in severe or fatal personal injury. Always check chain lubrication and the oil level in the tank before starting work and periodically during work.

⚠ WARNING

Never use waste oil to lubricate your saw chain and guide bar. Repeated contact with waste oil can cause skin cancer. Moreover, waste oil is environmentally harmful.

Bar and chain oil lubricates and cools the rotating saw chain. The service life of the chain and guide bar depends on the quality of the lubricant. It is therefore essential to use only a specially formulated chain lubricant.

- ▶ For automatic and reliable lubrication of the chain and guide bar, use only an environmentally compatible quality chain and bar lubricant. STIHL recommends using rapidly biodegradable STIHL BioPlus.

NOTICE

Biodegradable chain oil must be resistant to aging, since it will otherwise quickly turn to resin. This results in hard deposits that are difficult to remove, especially in the area of the chain drive and chain. It may even cause the oil pump to seize.



NOTICE

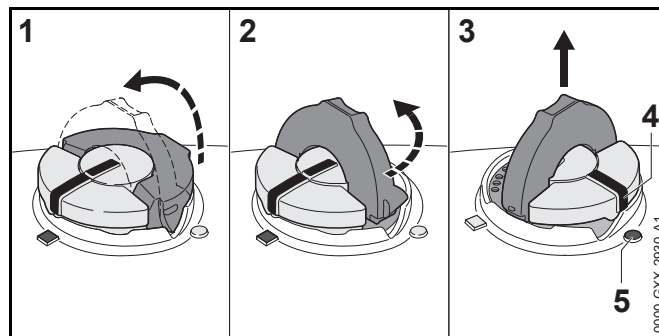
Waste oil does not have the necessary lubricating properties and is unsuitable for chain lubrication.

14.8.2 Filling the Chain Oil Tank

Opening and Filling the Chain Oil Tank

To fill the chain oil tank:

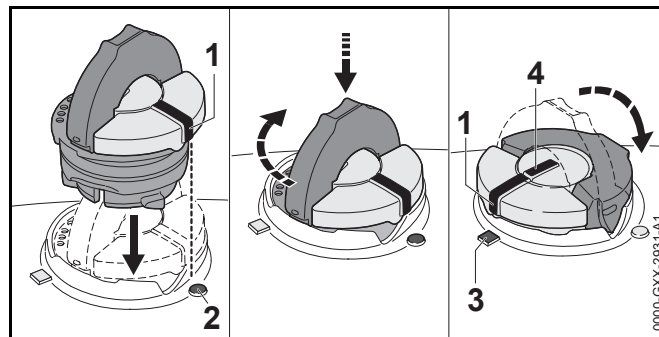
- ▶ Switch off the pole pruner,  16.2.
- ▶ Remove the battery,  15.2.
- ▶ Position the pole pruner on a level surface with the oil filler cap facing upwards.
- ▶ Clean the area around the oil filler cap with a slightly dampened cloth.



- ▶ Flip up the grip and press the cap down firmly (1).
- ▶ Turn the cap slowly counter-clockwise (2) to the open position (3). In the open position, the exterior positioning mark (4) on the cap will line up with the symbol (5) on the chain oil tank housing
- ▶ Remove the cap and fill the tank with bar and chain oil.
- ▶ Take care not to spill bar and chain oil while refilling the tank.
- ▶ Do not overfill the tank. Leave approximately 0.5 in. (13 mm) of air space.

Closing

To close the tank:





- ▶ Raise the grip on the top of the cap until it is upright at a 90° angle. Insert the cap in the chain oil tank opening with the exterior positioning mark (1) lined up with the open symbol (2) on the chain oil tank housing.

- ▶ Using the grip, press the cap down firmly while turning it clockwise to the closed position (approximately 1/4 turn). In the closed position, the interior (4) and exterior (1) positioning marks will align with the closed symbol (3) on the chain oil tank housing.
- ▶ Fold the grip flush with the top of the cap and check for tightness.
- ▶ If the grip does not lie completely flush with the cap or the detent on the grip does not fit in the corresponding recess in the tank opening, or if the cap is loose, the cap is not properly seated and you must repeat the above steps.


15 Inserting and Removing the Battery

15.1 Inserting the Battery

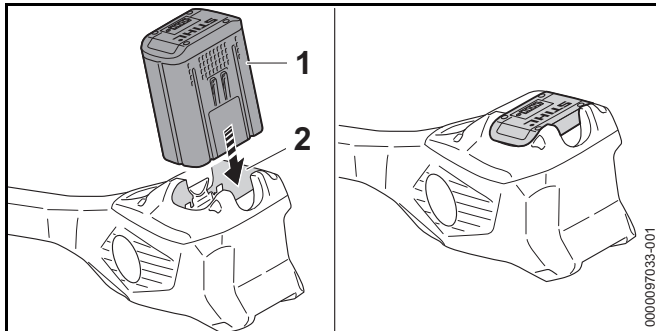
! WARNING

Never use a malfunctioning, damaged, cracked, leaking or deformed battery,  8. Use and store the battery only within an ambient temperature range of 14 °F to 122 °F (- 10 °C to 50 °C),  8.

! WARNING


To reduce the risk of unintended activation, never store the battery in the pole pruner,  9.1.

To insert the battery:



- ▶ Place the pole pruner on a level surface.

- ▶ Insert the battery (1) into the battery compartment (2) until it stops.
The battery is properly inserted when you hear an audible click. In this position, there is electrical contact between the battery and the pole pruner.

Since a new battery is not fully charged, STIHL recommends that you fully charge the battery before using it the first time,  11.

15.2 Removing the Battery

! WARNING

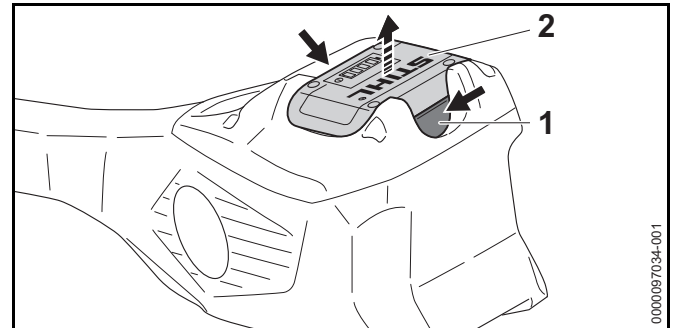
To reduce the risk of severe personal injury from unintended activation, always remove the battery before assembling, transporting, adjusting, cleaning, servicing, maintaining or storing the pole pruner, and any other time it is not in use.

! WARNING

Use care when ejecting the battery to prevent it from falling and causing personal injury or property damage.

To remove the battery:

- ▶ Release the trigger switch.
- ▶ Place the pole pruner on a level surface.



- ▶ Compress the locking levers (1) to eject the battery (2) from the battery compartment.



NOTICE

Avoid exposing the battery to excessive heat or prolonged periods of direct sunlight. Use or storage outside the recommended ambient temperature range can reduce the performance and/or service life of the battery.

16 Switching the Pole Pruner On and Off

16.1 Switching On

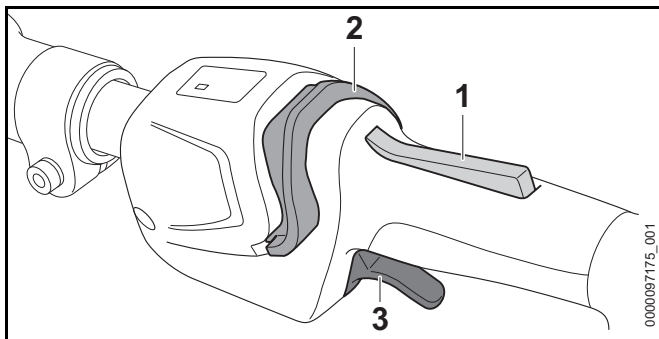
! WARNING

Never operate your pole pruner if it is modified, damaged, improperly adjusted or maintained, not completely and securely assembled or not functioning properly,  6.4. To reduce the risk of personal injury, always wear proper clothing and protective apparel, including proper eye protection, when operating your pole pruner,  6.3.

Before switching on:

- ▶ Make sure other persons are out of the general work area.
- ▶ Make sure you have a secure and firm footing.
- ▶ Stand upright.
- ▶ Always hold and operate the pole pruner with one hand firmly on the control handle and with the other hand firmly on the front handle.

To switch the pole pruner on:



- ▶ Depress and hold the trigger switch lockout (1).
- ▶ While holding the trigger switch lockout, push the retaining latch (2) forward with your thumb and release it. The LED glows.
- ▶ Squeeze the trigger switch (3) with your index finger. The saw chain will start rotating.

You can also unlock the trigger switch by pushing the retaining latch forward and depressing the trigger switch lockout within 5 seconds (as long as the LED is flashing). Squeeze the trigger switch with your index finger to start the saw chain.

The motor will not switch on unless the trigger switch lockout is depressed, the retaining latch has been pushed forward and the trigger switch has been pressed.

If the trigger switch and the trigger switch lockout are released, the LED will remain flashing for approximately 5 seconds. As long as the LED is flashing, the pole pruner can again be switched on without pushing the retaining latch forward.

The further the trigger switch is squeezed, the faster the saw chain will rotate.

16.2 Switching Off

! WARNING

The saw chain will continue to rotate for a short while after the trigger switch is released. To avoid serious or fatal injury, avoid contact with the moving saw chain. To reduce the risk of personal injury from unintended activation or unauthorized use, switch off the motor, ensure the chain has stopped and remove the battery before transporting the pole pruner or putting it down.

To switch the pole pruner off:

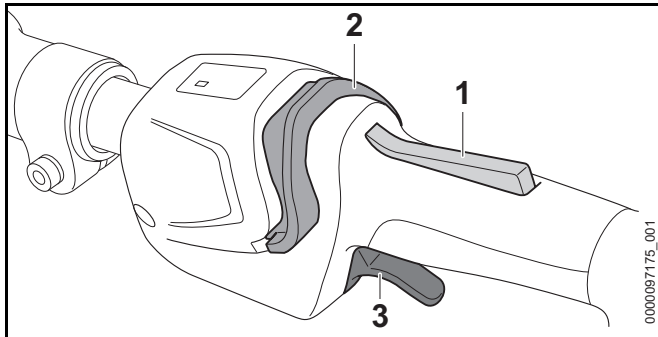
- ▶ Release the trigger switch and trigger switch lockout so that the trigger switch springs back to the locked position. In the locked position, activation of the trigger switch is blocked by the trigger switch lockout. Activation of the pole pruner is also electronically blocked by the retaining latch once the LED stop flashing (after approximately 1 second).

The saw chain will continue to move for a short time after the trigger switch is released. Take care to avoid contact after releasing the trigger switch and when setting down the pole pruner.

17 Checking the Pole Pruner

17.1 Testing the Controls

Before starting work, confirm that the trigger switch lockout (1), retaining latch (2) and trigger switch (3) are undamaged and functioning properly.



Trigger Switch Lockout (1), Retaining Latch (2) and Trigger Switch (3)

⚠ WARNING

To reduce the risk of serious or fatal injuries, keep hands, feet and other parts of the body away from the chain. Do not touch the saw chain while the battery is inserted. Never touch moving chain with your hand or any part of your body, 6.5.2. Keep bystanders at least 50 ft. (15 m) out of the area while testing the controls.

To test the controls:

- ▶ Remove the battery.
- ▶ Attempt to depress the trigger switch.
If the trigger switch can be depressed without first unlocking the retaining latch, take the pole pruner to an authorized STIHL servicing dealer to be repaired before use.
- ▶ Press down on the trigger switch lockout and push the retaining latch forward. Make sure they move freely and spring back into place when released.
- ▶ Insert the battery.
- ▶ Hold the pole pruner firmly with one hand on the control handle and with the other hand firmly on the front handle. Depress and hold the trigger switch lockout, push the retaining latch forward with your thumb and squeeze the trigger switch with your index finger.
The pole pruner should switch on. If it does not, take the pole pruner to an authorized STIHL servicing dealer to be repaired before use.
- ▶ Release the trigger switch.
The pole pruner should switch off.

If the pole pruner does not switch off after you release the trigger switch, remove the battery and take the pole pruner to an authorized STIHL servicing dealer to be repaired before use.


17.2 Testing Chain Lubrication

⚠ WARNING

Never operate your pole pruner without bar and chain lubrication. If the chain runs dry, the cutting attachment will be damaged beyond repair within a very short time. A damaged chain may break, resulting in severe or fatal personal injury. Always check chain lubrication and the oil level in the tank before starting work and periodically during work.

To confirm that the chain oil is flowing properly:

- ▶ Insert the battery, 15.1.
- ▶ Point the guide bar toward a bright surface.

- ▶ Switch on the pole pruner,  16.1.
The chain should throw off a small amount of oil.
If the chain oil cannot be seen, check the oil level and refill the tank as necessary.
- ▶ Test the chain lubrication again.
- ▶ If chain lubrication oil is still not visible, the lubrication mechanism is not functioning. Take the pole pruner to an authorized STIHL servicing dealer to be repaired before use.

18 During Operation



18.1 Adjusting the Length of the Drive Tube

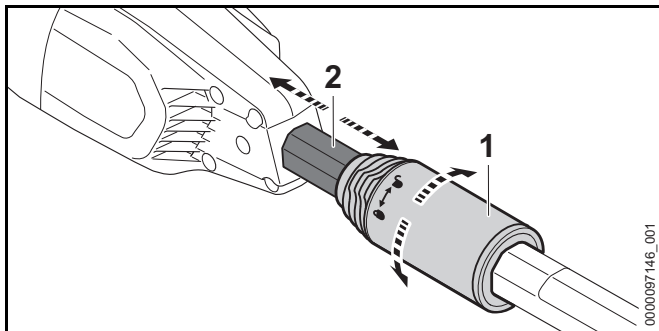
WARNING



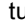
To reduce the risk of injury from loss of control, ensure that the drive tube is properly adjusted and engaged in the locked position before starting work.

The length of the drive tube can be adjusted to suit the height and reach of the operator.



To adjust the length of the drive tube:

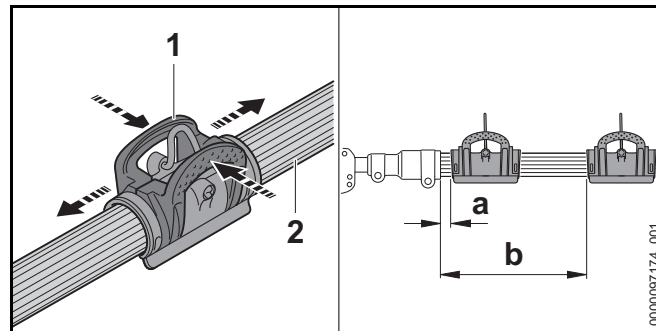
- ▶ Switch off the pole pruner,  16.2.
- ▶ Remove the battery,  15.2.
- ▶ Hold the drive tube firmly.



- ▶ Unlock the drive tube (2) by turning the clamping nut (1) a half turn in the direction .
- ▶ Adjust the drive tube length by sliding it into the desired position.
- ▶ Lock the drive tube by turning the clamping nut in the direction  and tightening it.
- ▶ Confirm that the drive tube is fixed in place.
- ▶ If the drive tube still can be moved: Lock the drive tube by turning the clamping nut in the direction  and tightening it until the drive tube is fixed in place.

18.2 Align the Harness Clip



- ▶ Switch off the pole pruner,  16.2.
- ▶ Remove the battery,  15.2.

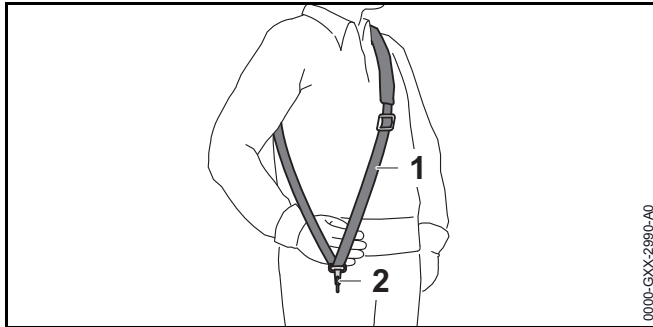


- ▶ Press the harness clip (1) together and move it on the grip hose (2) to achieve the following dimensions:
 - If the drive tube is fully retracted: a = 6 in. (15 cm).
 - If the drive tube is fully extended: b = 20 in. (50 cm).

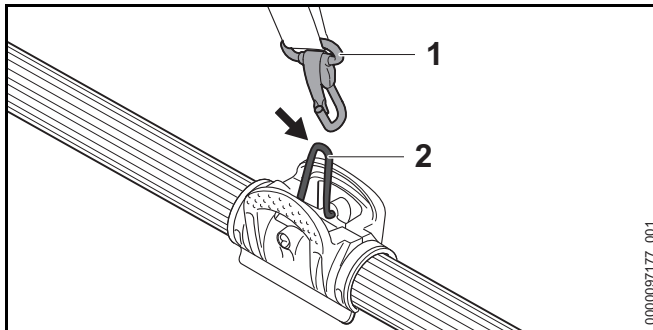
18.3 Putting on and Adjusting the Shoulder Strap

To fit and adjust the harness:

- ▶ Switch off the pole pruner,  16.2.
- ▶ Remove the battery,  15.2.
- ▶ Put the shoulder strap over your shoulder.



- ▶ Adjust the length of the shoulder strap (1) so that the carabiner (2) is about a hand's width below the top of your hip.



- ▶ Attach the carabiner (1) to the harness clip (2) on the pole pruner.

18.4 Limbing

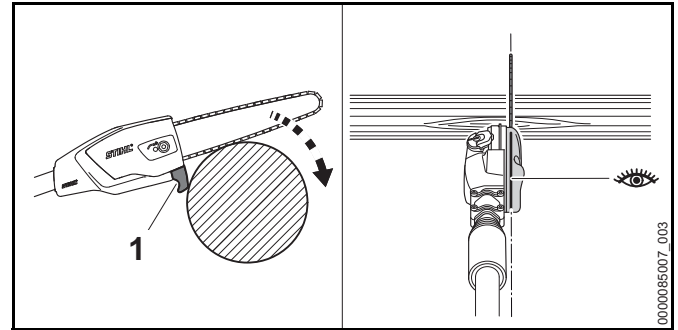
! WARNING

To reduce the risk of severe or even fatal injury from falling objects:

- ▶ Do not cut vertically above your body. Hold the pole pruner at an angle of not more than 60° from the horizontal level. Objects may fall in unexpected directions. Do not stand directly underneath the limb being cut, 6.5.4.
- ▶ Watch for falling limbs. As soon as the limbed branch starts to fall, step aside and keep a sufficient distance away, 6.5.4.

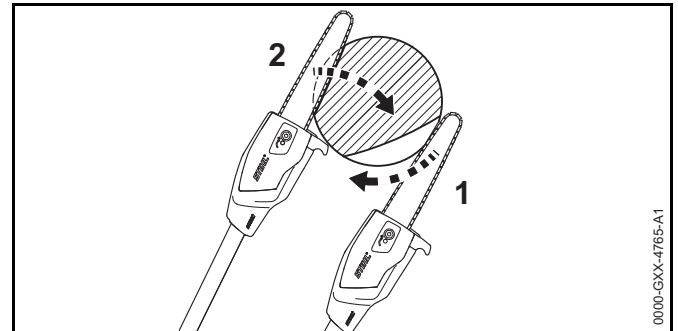
- ▶ To allow branches to free fall, always cut the lower branches first.

Cross-cut



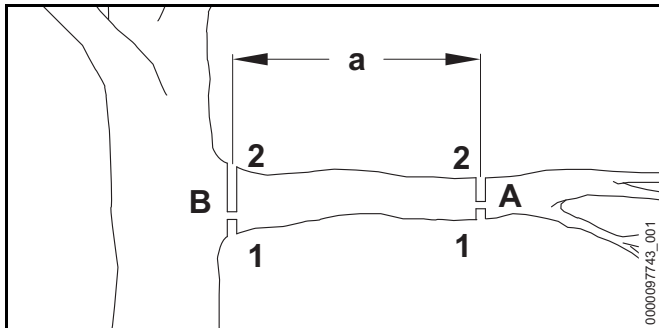
- ▶ Position the hook (1) against the branch. The limbing sight helps the operator position the bar and chain for the cut.
- ▶ Cut the branch at full throttle with the bottom side of the guide bar, keeping the tip of the bar free of other limbs, the ground and any leafy materials.

Relieving Cut



- ▶ If the limb is under tension: Make a relieving cut (1) on the underside and then perform the cross-cut (2) from the tension side.

Cutting thick branches



- ▶ Shorten the branch by performing a relieving cut (1) and then a cross-cut (2) at cutting point (A) at a distance $a = 8$ in. (20 cm) from where the flush-cut will be made (B).
- ▶ Carry out the flush-cut, starting with a relieving cut (1) and finishing with a cross-cut (2) at cutting point (B).

19 After Finishing Work

19.1 Preparing for Transportation or Storage

! WARNING

To reduce the risk of personal injury from unintended activation or unauthorized use, switch off the pole pruner and remove the battery before transporting the pole pruner or putting it down. To reduce the risk of injuries from the sharp cutters on the chain, always cover the guide bar with the chain scabbard before transporting or storing the pole pruner.

To prepare the pole pruner for transportation or storage:

- ▶ Switch off the pole pruner, 16.2.
- ▶ Remove the battery, 15.2.
- ▶ Adjust the drive tube to its shortest length, 18.1
- ▶ Loosen the chain.

- ▶ Slide a chain scabbard over the guide bar so that it covers the entire guide bar.
- ▶ If the battery or pole pruner became wet during operation, allow them to dry separately and completely before charging or storing.
- ▶ Before using the pole pruner, remember to re-tension the chain.

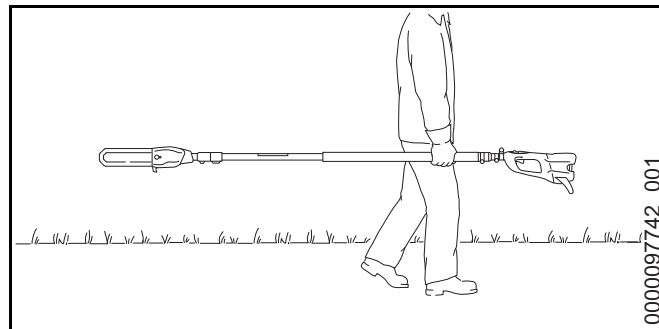
NOTICE

The chain contracts as it cools down. Failing to loosen the chain after finishing work can damage the drive shaft and bearings.

20 Transporting the Pole Pruner and Battery

20.1 Pole Pruner

When transporting the pole pruner:




- ▶ Slide a chain scabbard over the guide bar so that it covers the entire guide bar.
- ▶ When transporting the pole pruner by hand, hold the drive tube in a manner that balances the pole pruner horizontally. Keep the cutting attachment behind you.
- ▶ When transporting the pole pruner in a vehicle, cover the guide bar with a chain scabbard. Secure and position the pole pruner to prevent turnover, impact and damage.

Your pole pruner comes standard with a chain scabbard that matches the cutting attachment. If you use guide bars of different lengths on the pole pruner, the length of the chain scabbard must be matched to the guide bar to reduce the risk of injury. It should cover the full length of the guide bar.

20.2 Battery

WARNING

To reduce the risk of a short circuit, which could lead to electric shock, fire and explosion, never transport the battery in a metal container or near metal objects (e.g., paper clips, nails, coins, keys),  8.1.

When transporting the battery:

- ▶ Place the battery in a non-metal container or carton and secure it against impact or damage. Never transport the battery in a metal or other container that is capable of conducting electricity, or near metal objects (e.g., paper clips, nails, coins, keys).
- ▶ If you are transporting the battery in a vehicle, secure it and its container to prevent turnover, impact and damage.

STIHL batteries comply with the requirements set forth in UN-Manual of Tests and Criteria, Part III, Subsection 38.3.

Commercial air, vessel and ground transportation of lithium ion cells and batteries is regulated. The battery is classified as a UN 3480, Class 9, packaging group II product. Shipping it, either as a complete tool or the battery, requires compliance with all applicable shipping regulations. Check with the ground, vessel, air cargo or passenger airline to determine if transport is prohibited or subject to restrictions or exemptions prior to shipping or travel.



Normally, no further conditions have to be met by the user in order to transport STIHL batteries by road to the power tool's operating site. Check and comply with any special regulations that may apply to your situation.

For further information please go to www.stihl.ca.



21 Storing the Pole Pruner and Battery

21.1 Pole Pruner

WARNING



Store the pole pruner indoors in a dry, secure place that cannot be accessed by children or other unauthorized users,  6.4. Never store the battery in the pole pruner or charger. Improper storage can result in unauthorized use and damage to the pole pruner,  6.4.

When storing the pole pruner for thirty days or longer:

- ▶ Remove any wood chips or debris from the battery compartment.
- ▶ Remove the chain and guide bar.
- ▶ Clean and spray the guide bar with a resin solvent, such as STIHL Resin Remover and Lubricant.
- ▶ Clean the pole pruner,  22.1.
- ▶ Fill up the chain oil tank,  14.8.2.
- ▶ Store the pole pruner indoors in a dry and secure location, out of the reach of children and other unauthorized persons.



21.2 Battery

WARNING

To reduce the risk of a short circuit, which could lead to electric shock, fire and explosion, never store the battery in a metal container or near metal objects,  8. If the battery is damp or wet, allow it to dry thoroughly before storing,  8.

WARNING

Extreme temperatures can damage the battery and may also cause the battery to generate heat, rupture, leak, ignite or explode, resulting in severe or fatal personal injury or property damage. Use and store the battery only within an

ambient temperature range of 14 °F to 122 °F (- 10 °C to 50 °C),  8. Never store the battery in direct sunlight or inside a vehicle in hot weather,  8.


To properly store the battery:

- ▶ Remove the battery from the pole pruner or charger.
- ▶ Make sure the battery is dry and store it indoors in a dry and secure location.
- ▶ Keep it out of the reach of children and other unauthorized persons.
- ▶ Protect the battery against dampness and corrosive agents such as garden chemicals and de-icing salts.
- ▶ Protect the battery from exposure to conductive liquids such as salt water.
- ▶ For maximum battery life, store the battery at an ambient temperature between 50 °F and 68 °F (10 °C and 20 °C) with a charge between 40 % and 60 % (2 green LEDs).
- ▶ Do not leave spare batteries unused. Use them in rotation.

22 Cleaning

22.1 Cleaning the Pole Pruner and Battery

WARNING

To reduce the risk of personal injury from unintended activation, remove the battery before carrying out any cleaning work,  9. Users of this pole pruner should carry out only the cleaning described in this manual.


To clean the pole pruner and battery:

- ▶ Clean the pole pruner's polymer components with a slightly dampened cloth. Do not use detergents or solvents. They may damage the polymer components.
- ▶ Remove the sprocket cover and clean the area around the chain sprocket with a slightly dampened cloth or resin solvent, such as STIHL Resin Remover & Lubricant.
- ▶ Do not use a pressure washer to clean the pole pruner or otherwise spray it with water or other liquids.


- ▶ Keep the battery housing and guides free from foreign matter and clean as necessary with a soft brush or soft, dry cloth.

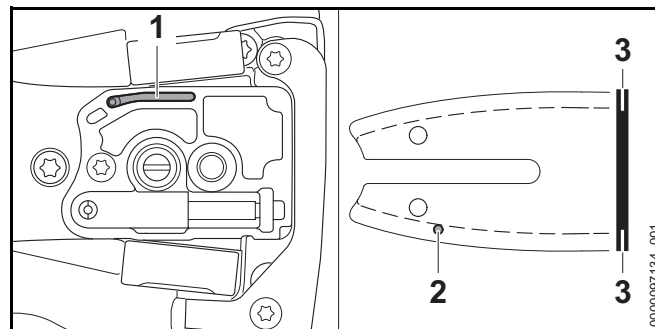
22.2 Cleaning the Guide Bar and Saw Chain

WARNING

To reduce the risk of personal injury from unintended activation, remove the battery before carrying out any cleaning work,  9. Users of this pole pruner should carry out only the cleaning described in this manual. To help prevent injuries, always wear heavy-duty work gloves when handling the chain.

To properly clean the guide bar and chain:



- ▶ Remove the guide bar and the chain,  14.6.2.

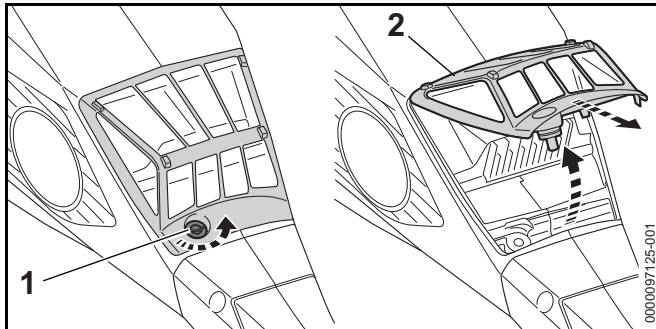


- ▶ Clean the oil outlet duct (1), oil inlet bore (2) and groove (3) with a brush, a slightly dampened cloth or resin solvent, such as STIHL Resin Remover & Lubricant. Do not use detergents.
- ▶ Clean the chain with a brush, a slightly dampened cloth or resin solvent. Do not use detergents.
- ▶ Do not use a pressure washer to clean the guide bar or chain or otherwise spray them with water or other liquids.

22.3 Cleaning the Air Filter

To clean the air filter:

- ▶ Switch off the power tool,  16.2.
- ▶ Remove the battery,  15.2.




- ▶ Clean the area around the air filter (2) with a damp cloth or soft brush.
- ▶ Turn the screw (1) counterclockwise until the air filter can be removed.
- ▶ Remove the air filter by lifting it up and pulling it off.
- ▶ Rinse away coarse dirt from the outside of the air filter under running water. Never spray the air filter with a pressure washer.
- ▶ If the air filter is damaged, replace it.
- ▶ Allow the air filter to air dry.
- ▶ After the air filter has dried thoroughly, push it into place by hand.
- ▶ Tighten the screw.

23 Inspection and Maintenance

23.1 Inspecting and Maintaining the Pole Pruner

WARNING

To reduce the risk of personal injury from unintended activation, remove the battery before inspecting the pole pruner or carrying out any maintenance,  9. Carry out only the maintenance operations described in this manual. There are no user-authorized repairs. STIHL recommends that repair work be performed by authorized STIHL servicing dealers.

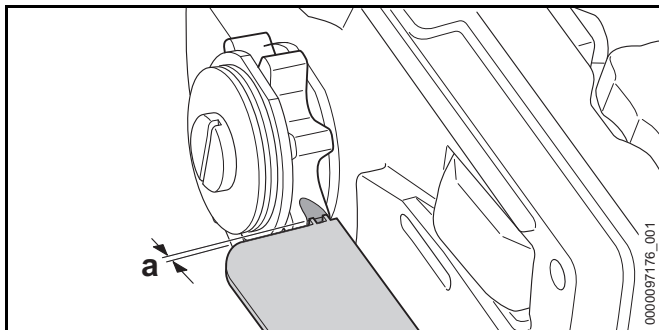
Proper maintenance of the pole pruner includes the following activities:

- ▶ Cleaning the air filter every 50 hours of operation.
- ▶ Inspecting the chain sprocket periodically and having a worn chain sprocket replaced by an authorized STIHL servicing dealer.
- ▶ Inspecting the guide bar for proper groove depth and spread and replacing the guide bar if it shows signs of excessive wear or damage.
- ▶ Periodically sharpening the chain, maintaining the depth limiting guides at the appropriate height and replacing the saw chain when indicated by the relevant wear marks or when the chain is damaged or shows signs of excessive wear.
- ▶ Having worn, missing or damaged safety labels replaced by an authorized STIHL servicing dealer.

If you make a warranty claim for a component which has not been serviced or maintained properly, coverage may be denied.

23.2 Inspecting and Maintaining the Chain Sprocket

- ▶ Switch off the pole pruner and remove the battery.
- ▶ Remove the chain sprocket cover, saw chain and guide bar.



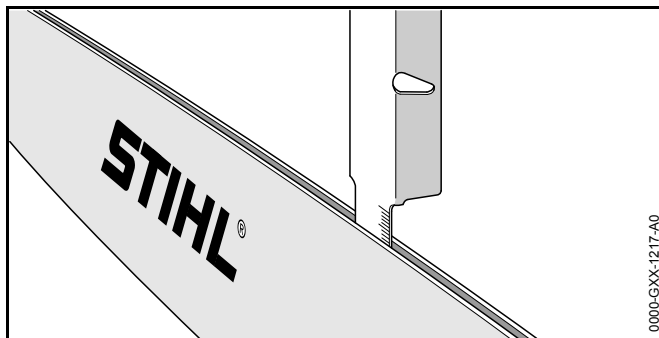
- ▶ Check the chain sprocket cover for wear marks.
- ▶ If the wear marks are deeper than $a = 0.020$ in. (0.5 mm), have the chain sprocket replaced.

STIHL recommends using genuine STIHL chain sprockets.

Alternating between two chains helps reduce wear to the chain sprocket.

23.3 Inspecting and Maintaining the Guide Bar

- ▶ Switch off the pole pruner and remove the battery.
- ▶ Remove the guide bar and saw chain, 14.6.2.

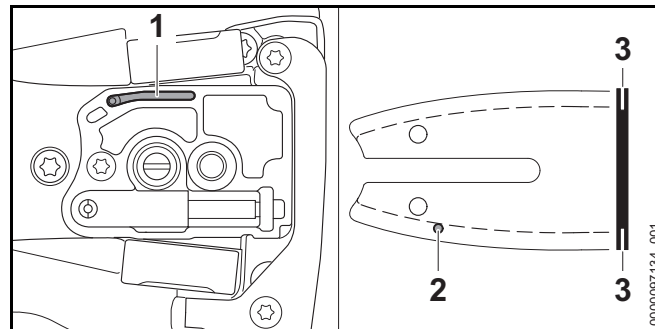


- ▶ Measure the depth of the guide bar groove in the area with the greatest wear using the measuring tool on the file gauge (special accessory, not included).
- ▶ Replace the guide bar if the measured depth is less than the required minimum depths stated in 25.3.

- ▶ Check the spread of the guide bar groove with the measuring tool on the file gauge.
- ▶ Replace the guide bar if the groove is narrowed, spread or shows other signs of substantial wear or damage.

To maintain the guide bar:

- ▶ Flip the guide bar after each sharpening and each time the chain is changed. This will help reduce uneven wear. There is no "top" or "bottom" of the bar. It may be used in either orientation, even though the printing on the bar may be upside down.



- ▶ Clean the oil outlet duct (1), oil inlet bore (2) and groove (3) with a brush, a slightly dampened cloth or resin solvent, such as STIHL Resin Remover & Lubricant. Do not use detergents.
- ▶ Periodically remove any metal burrs that develop along the guide bar with a flat file or a STIHL guide bar dressing tool.
- ▶ Replace the guide bar if the burrs cannot be filed or if the guide bar becomes damaged.

23.4 Inspecting, Maintaining and Sharpening the Saw Chain

WARNING

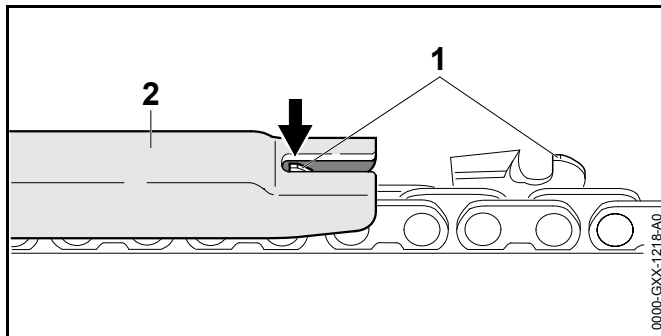
An improperly sharpened chain can increase the risk of kickback and other reactive forces, resulting in severe personal injury or death. For example, depth gauges that are too low or cutters that are filed incorrectly can increase the

kickback tendency of the pole pruner and can increase kickback forces, making it more difficult to control the pole pruner. Always review and follow the sharpening angles and dimensions recommended by STIHL when checking or sharpening the chain.

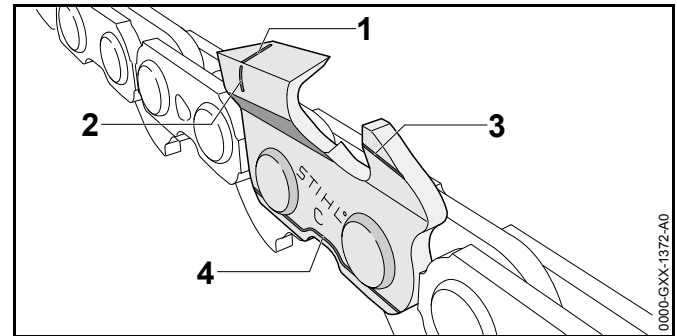
⚠ WARNING

Never use a dull or damaged chain. This leads to increased physical strain, increased vibration load, unsatisfactory cutting results and increased wear. If the chips from cutting are fine, more like saw dust than wood chips, the chain likely is dull.

- ▶ Switch off the pole pruner and remove the battery.



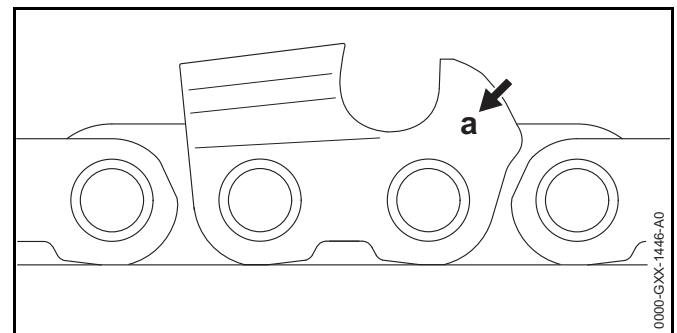
- ▶ Check the height of the depth gauge (1) with a STIHL file gauge (2) matching the pitch of the chain.
- ▶ If the depth gauge protrudes higher than the file gauge, file the depth gauge to the appropriate height.
- ▶ Work carefully. Filing the depth gauges too low will increase reactive forces. If the depth gauges have been filed too low, have the chain sharpened or replaced by an authorized STIHL dealer.



STIHL chain is manufactured with wear marks to help the operator identify excessive wear. The wear marks depicted above (1 - 4) must remain visible.

- ▶ Replace the chain if any wear marks are no longer visible.
- ▶ Check the 30° sharpening angle of the cutters with a STIHL file gauge matching the pitch of the chain.
- ▶ If the sharpening angle is incorrect, file the cutters to a 30° angle.
- ▶ If you are unable to achieve the proper angle, or suspect you have not achieved the proper angle, have the chain sharpened by an authorized STIHL servicing dealer.

An improperly filed chain can be very dangerous. It can increase the potential for reactive forces, including kickback, and also increase the magnitude of those reactive forces.



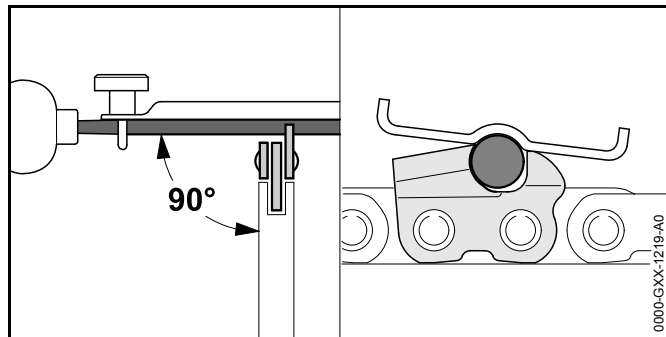
The chain pitch marking (a) is embossed in the area of the depth gauge of each cutter.

The markings mean the following:

Marking (a)	Saw Chain Pitch
1	1/4"
2	.325"
3	3/8"
4	.404"
6	3/8" PICCO
7	1/4" PICCO

To sharpen the chain:

- ▶ Switch off the pole pruner and remove the battery.
- ▶ Select a chain file with a diameter matching the pitch of the chain.
Other files are unsuitable and can result in improperly filed chain, which can increase the potential and force of kickback and other reactive forces.
- ▶ Clamp the guide bar if necessary to make filing easier.
- ▶ Use a file holder.
File holders have markings that indicate the proper sharpening angle.
- ▶ File all the cutters with an identical angle. Two or three strokes of the file are usually sufficient for simple resharpener. Remove a little material with each stroke. Sharpening at varying or inconsistent angles or heights can be very dangerous and may result in rough or uneven running of the chain and increased wear, even to the point of chain breakage. It also can increase the tendency and force of kickback and other reactive forces.



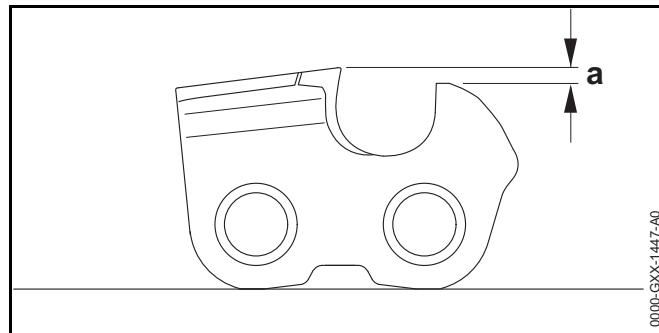
- ▶ Guide the file horizontally at a right angle to the side surface of the guide bar in accordance with the specified angle.
- ▶ File only from the inside of the cutter outward.
- ▶ Lift the file on the backstroke. The file only sharpens on the forward stroke.
- ▶ Do not file tie straps or drive links.
- ▶ Periodically rotate the file in order to avoid uneven wear.
- ▶ To remove a file burr from the cutter tooth, run the cutter across a piece of hardwood.
- ▶ Check the sharpening angle with a file gauge.

All cutters must be of equal length and filed down to the length of the shortest cutter. Otherwise, the tendency and force of kickback and other reactive forces will increase.

STIHL recommends having your chain sharpened by an authorized STIHL servicing dealer to reduce the risk of severe or fatal injury from an improperly sharpened chain.


⚠ WARNING

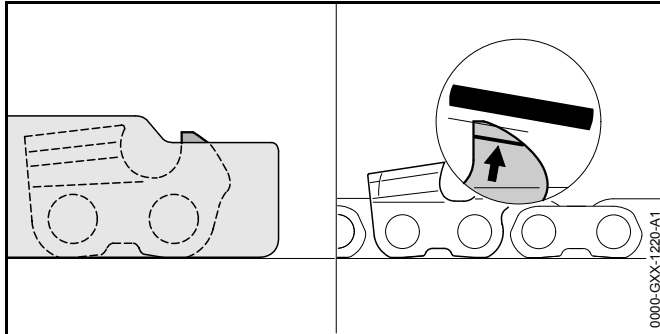
Depth gauges that are too low increase the potential and force of kickback and other reactive forces, which can increase the risk of serious personal injury. Always maintain the proper distance between the depth gauge and the top of the cutter (a).



The depth gauge determines the depth to which the cutter penetrates the wood and thus the chip thickness.

A depth gauge that is too low will increase the kickback tendency of the pole pruner and can increase kickback forces.

A depth gauge that is too high will prevent the cutter from entering the workpiece and will lead to poor cutting performance. Always keep the required distance between depth gauge and cutting edge (a),  25.4.










To properly lower the depth gauge:

- ▶ Lay the appropriate file gauge for the chain pitch on the chain and press it against the cutter to be checked. If the depth gauge protrudes past the file gauge, the depth gauge must be filed down.
- ▶ File the depth gauge so that it is flush with the top of the file gauge.
- ▶ Afterwards, remove the file gauge and file the leading edge of the depth gauge parallel to the service mark. When doing this, be careful not to further lower the highest point of the depth gauge.
- ▶ Lay the file gauge on the chain to check the height of the file gauge. The highest point of the depth gauge must be flush with the top of the file gauge.
- ▶ After sharpening, clean the chain thoroughly, removing any filings or grinding dust.
- ▶ Oil the chain thoroughly.




24 Troubleshooting Guide

24.1 Pole Pruner and Battery

Always remove the battery before carrying out any inspection, cleaning or maintenance.

Condition	LEDs on Battery	Possible Cause	Remedy
Pole pruner does not start when switched on.		No electrical contact between pole pruner and battery.	<ul style="list-style-type: none"> ▶ Remove the battery,  15.2. ▶ Visually check the electrical contacts in the battery compartment and on the battery. ▶ Reinsert the battery,  15.1.
	1 LED flashes green. STIHL AR only: Additionally, four long beeps are emitted.	Battery has low charge.	<ul style="list-style-type: none"> ▶ Charge the battery,  11.
	1 LED glows red.	Battery too hot / too cold.	<ul style="list-style-type: none"> ▶ Allow the battery to warm up or cool down gradually at ambient temperatures of about 50 °F to 68 °F (10 °C to 20 °C).
	4 LEDs flash red. STIHL AR only: Additionally, a rapid succession of short beeps is emitted.	Malfunction in battery.	<ul style="list-style-type: none"> ▶ Remove the battery and reinsert it,  15. ▶ Switch on the pole pruner,  16.1. ▶ If the LEDs continue to flash, do not attempt to use. The battery has a malfunction and must be replaced.
	3 LEDs glow red.	Pole pruner too hot.	<ul style="list-style-type: none"> ▶ Allow the pole pruner to cool down.
	3 LEDs flash red.	Malfunction in pole pruner.	<ul style="list-style-type: none"> ▶ Remove the battery and reinsert it,  15 ▶ Switch on the pole pruner,  16.1. ▶ If the LEDs still flash, do not attempt to use. The pole pruner has a malfunction and must be checked by a servicing dealer.

Always remove the battery before carrying out any inspection, cleaning or maintenance.

Condition	LEDs on Battery	Possible Cause	Remedy
Pole pruner cuts out during operation.	1 LED glows red.	Battery too hot / too cold.	<ul style="list-style-type: none"> ▶ Remove the battery,  15.2. ▶ Allow the pole pruner and battery to cool down gradually at ambient temperatures of about 50 °F to 68 °F (10 °C to 20 °C).
	3 LEDs glow red.	Pole pruner too hot.	
Run-time is too short.		Battery not fully charged.	▶ Charge the battery,  11.
		Useful life of battery has been reached or exceeded.	▶ Have the battery checked by an authorized STIHL servicing dealer.
During sawing, the wood smokes or smells burnt.		The chain is dull or improperly sharpened.	▶ Properly sharpen the chain,  23.4.
		Working technique is improper or the pole pruner is being mis-used.	▶ Obtain instruction on proper working technique.
		Insufficient bar and chain oil.	▶ Have the chain lubrication mechanism checked by an authorized STIHL servicing dealer.
Battery is not being charged even though LED on charger glows green.	1 LED glows red.	Battery too hot / too cold.	<ul style="list-style-type: none"> ▶ Allow the battery to warm up or cool down gradually at ambient temperatures of about 50 °F to 68 °F (10 °C to 20 °C). ▶ Operate the charger only in enclosed, dry rooms at ambient temperatures of 41 °F to 104 °F (5 °C to 40 °C).

25 Specifications

25.1 STIHL HTA 135

- Approved battery types:
 - STIHL AP series
 - STIHL AR series
- Weight without battery: 14.6 lbs. (6.6 kg)
- Maximum oil tank volume: 3.6 oz. (0.22 l)

For technical information regarding the STIHL AP and AR series batteries, see the product information accompanying your battery.

For technical information regarding the STIHL AL 101, 300 and 500 series chargers, see the product information accompanying your charger.

Batteries, chargers and other accessories sold separately. Contact your authorized STIHL servicing dealer for pricing and availability.

25.2 Chain Sprockets

The following chain sprockets are available for this model pole pruner:

- 7-tooth for 3/8" PICCO pitch

25.3 Minimum Groove Depth of Guide Bars

The minimum groove depth of a guide bar depends on the pitch of the guide bar.

- Minimum groove depth for 3/8" PICCO pitch guide bars: 0.197 in. (5 mm)

25.4 Depth Gauge Setting

The depth gauge setting of a saw chain depends on the pitch of the chain.

- Depth gauge setting for 3/8" PICCO pitch chains: 0.026 in. (0.65 mm)

25.5 Symbols on the Pole Pruner

Symbol	Explanation
V	Volt
Hz	Hertz
A	Ampere
Ah	Ampere hour
W	Watt
Wh	Watt hour
AC	Alternating current
IPX4	Protecting against spraying or splashing water from all directions.



Power symbol on the retaining latch.



Engage the clamping nut



Disengage the clamping nut



Chain oil tank



Direction of saw chain rotation



Turn clockwise to tension the saw chain



STIHL products must not be disposed of in the household trash, but only in accordance with local, state and federal laws and regulations and as provided in this manual, 29.



Direct current



Number of cells and stored energy according to cell manufacturer's specification. Usable energy will be less.



The RBRC seal indicates that STIHL has prepaid for battery recycling.



Read the manual

25.6 Engineering Improvements

STIHL's philosophy is to continually improve all of its products. As a result, engineering changes and improvements are made from time to time. Therefore, some changes, modifications and improvements may not be covered in this manual. If the operating characteristics or the appearance of your machine differs from those described in this manual, please contact your STIHL dealer or the STIHL distributor in your area for assistance.

25.7 EMC Compliance Statement for Power Tool and Charger

This Class B digital apparatus complies with Canadian ICES-003.

26 Combinations of Guide Bars and Saw Chains

26.1 STIHL HTA 135

Pitch	Drive link gauge/Groove width	Length	Guide bar	Number of teeth of sprocket nose	Drive link count	Saw chain
3/8" P	0.043 in. (1.1 mm)	10 in. (25 cm)	Rollomatic E / Light 04	7	39	61 PMM3 (Type 3610)

The listed guide bars are green-labeled reduced kickback STIHL guide bars. The listed chains are green-labeled low kickback STIHL chains

Since new bar/chain combinations may be developed after publication of this manual, ask your authorized STIHL servicing dealer for the latest STIHL recommendations.

27 Approved Harness Combinations

27.1 Harness Combinations

WARNING

The operator must be able to remove the harness quickly in the event of an emergency. To reduce the risk of injury in an emergency:

- ▶ Practice removing and putting down the power tool as you would in an emergency. To avoid damage, do not throw the power tool to the ground when practicing.
- ▶ Use only one of the allowed harness options. Do not combine different harnesses or other harness combinations when using your power tool.

The following harnesses are available for your pole pruner:



Shoulder Strap



Full Harness



STIHL Battery Belt with STIHL AP Battery Bag with Connecting Cord in combination with the Shoulder Strap



STIHL Battery Belt with STIHL AP Battery Bag with Connecting Cord in combination with the Shoulder Harness and Hip Pad



STIHL AR Backpack Battery in combination with Hip Pad




STIHL Battery Backpack in combination with Hip Pad



RTS Harness

28 Replacement Parts and Equipment

28.1 Genuine STIHL Replacement Parts

STIHL recommends the use of genuine STIHL replacement parts. Genuine STIHL parts can be identified by the STIHL part number, the **STIHL** logo and, in some cases, by the STIHL parts symbol . The symbol may appear alone on small parts.

29 Disposal

29.1 Disposal of the Power Tool

STIHL products must not be thrown in household trash or disposed of except as outlined in this manual.

- ▶ Take the power tool, accessories and packaging to an approved disposal site for environmentally friendly recycling.
- ▶ Contact your authorized STIHL servicing dealer for the latest information on disposal and recycling.

29.2 Battery Recycling

WARNING

Handle discharged/depleted batteries carefully. Even if believed to be discharged, lithium ion batteries may never totally discharge and still may deliver a dangerous short circuit current. If damaged or exposed to extreme temperatures, they may leak, generate heat, catch fire or explode.

- ▶ Observe all federal, state and local disposal rules and regulations.
- ▶ Contact your authorized STIHL servicing dealer for the latest information on waste disposal.
- ▶ Recycle depleted batteries promptly.
- ▶ Keep batteries away from children. Do not disassemble and do not dispose of in fire.



STIHL is committed to the development of products that are environmentally responsible. This commitment does not stop when the product leaves the authorized STIHL servicing dealer. STIHL has partnered with the RBRC (Rechargeable Battery Recycling Corporation) to promote the collection and recycling of spent STIHL lithium ion batteries in the United States and Canada.

The RBRC seal indicates that STIHL has prepaid for battery recycling. RBRC has a toll free phone number (1-800-822-8837) that connects you to information on battery recycling locations and information on battery disposal bans or restrictions in your area. You can also return your spent battery to any authorized STIHL servicing dealer for recycling free of charge.

Table des matières

1	Préface	56	9.1	Avertissements et instructions	77
2	Indications concernant la présente Notice d'emploi	56	10	Avant d'entreprendre le travail	78
2.1	Mots de signalement	56	10.1	Préparation de la perche élagueuse en vue de l'utilisation	78
2.2	Symboles employés dans le texte	56	11	Recharge de la batterie	78
3	Principales pièces	57	11.1	Mise en place du chargeur	78
3.1	Perche élagueuse et batterie STIHL HTA 135	57	11.2	Charge	79
4	Symboles de sécurité sur les produits	58	12	DEL de diagnostic et signaux sonores	80
4.1	Perche élagueuse	58	12.1	Batterie STIHL AP	80
4.2	Batterie	59	12.2	Batterie en sac à dos STIHL AR	81
5	Indications générales de sécurité pour outils électroportatifs	59	13	Batterie en sac à dos STIHL AR	82
5.1	Introduction	59	13.1	Positionnement et réglage du cordon de raccordement	82
5.2	Sécurité de la zone de travail	60	13.2	Enfiler le harnais	83
5.3	Sécurité électrique	60	14	Assemblage de la perche élagueuse	84
5.4	Sécurité personnelle	60	14.1	Montage de la boîte de transmission	84
5.5	Utilisation et entretien des outils électriques	61	14.2	Montage du carter du moteur	85
5.6	Utilisation et entretien des outils à batterie	61	14.3	Outil de coupe	86
5.7	Entretien	62	14.4	Montage du clip d'harnais	86
6	CONSIGNES DE SÉCURITÉ IMPORTANTES	62	14.5	Montage du soutien à la machine	86
6.1	Utilisation prévue	62	14.6	Montage et démontage du guide-chaîne et de la chaîne	87
6.2	Opérateur	63	14.7	Tendre la chaîne	88
6.3	Équipement de protection individuelle	64	14.8	Lubrification de la chaîne coupante et du guide-chaîne	89
6.4	Perche élagueuse	64	15	Insertion et retrait de la batterie	90
6.5	Utilisation de la perche élagueuse	66	15.1	Insertion de la batterie	90
7	Rebond et autres forces réactives	73	15.2	Retrait de la batterie	91
7.1	Forces de réaction	73	16	Activation et désactivation de la perche élagueuses	91
7.2	Rebond	73	16.1	Mise en marche	91
7.3	Accrochage	74	16.2	Mise à l'arrêt	92
7.4	Refoulement	74	17	Vérification de la perche élagueuse	93
8	Sécurité de la batterie	75	17.1	Vérification des commandes	93
8.1	Avertissements et instructions	75			
9	Maintenance, réparation et rangement	77			



La présente Notice d'emploi est protégée par des droits d'auteur. Tous droits réservés, en particulier tout droit de copie, de traduction et de traitement avec des systèmes électroniques quelconques.

17.2 Test de la lubrification de la chaîne	93	25.7 Déclaration de conformité de l'appareil et du chargeur avec la directive CEM (sur la compatibilité électromagnétique)	108
18 Pendant l'utilisation	94	26 Combinaisons de guide-chaînes et de chaînes coupantes	109
18.1 Ajustement de la longueur du tube d'entraînement	94	26.1 STIHL HTA 135	109
18.2 Aligner le clip d'harnais	94	27 Combinaisons de harnais approuvées	110
18.3 Mise en place et réglage des bretelles	95	27.1 Combinaisons de harnais	110
18.4 Ébranchage	95	28 Pièces de rechange et équipement	110
19 Après avoir terminé le travail	96	28.1 Pièces de rechange originales STIHL	110
19.1 Préparation pour le transport ou l'entreposage	96	29 Élimination	110
20 Transport de la perche élagueuse	97	29.1 Mise au rebut de l'outil électrique	110
20.1 Perche élagueuse	97	29.2 Recyclage de la batterie	111
20.2 Batterie	97		
21 Entreposage de la perche élagueuse	98		
21.1 Perche élagueuse	98		
21.2 Batterie	98		
22 Nettoyage	98		
22.1 Nettoyage de la perche élagueuse et de la batterie	98		
22.2 Nettoyage du guide-chaîne et de la chaîne coupante	99		
22.3 Nettoyage du filtre à air	99		
23 Inspection et maintenance	100		
23.1 Contrôle et maintien de la perche élagueuse	100		
23.2 Contrôle et maintien du pignon à chaîne	100		
23.3 Contrôle et maintien du guide-chaîne	101		
23.4 Inspection, maintenance et affûtage de la chaîne coupante	101		
24 Guide de dépannage	105		
24.1 Perche élagueuse et batterie	105		
25 Spécifications	107		
25.1 STIHL HTA 135	107		
25.2 Pignons	107		
25.3 Profondeur de rainure minimale des guide-chaînes	107		
25.4 Réglage de la jauge de profondeur	107		
25.5 Symboles sur la perche élagueuse	107		
25.6 Améliorations technologiques	108		

1 Préface

Merci beaucoup pour votre achat. Les informations contenues dans ce manuel vous aideront à obtenir une performance et une satisfaction maximales avec votre perche élagueuse STIHL et, si elles sont respectées, réduiront le risque de blessure lors de l'utilisation.

CONSERVEZ CE MANUEL!



Étant donné qu'une perche élagueuse est un outil de coupe du bois à grande vitesse et à grande portée, des précautions particulières doivent être prises pour réduire le risque de blessure.



Lisez attentivement ce mode d'emploi avant l'utilisation et à intervalles réguliers par la suite. Respectez toutes les consignes de sécurité. Une utilisation imprudente ou incorrecte de la perche élagueuse peut entraîner des blessures graves ou mortelles.

Respectez toutes les réglementations, normes et ordonnances de sécurité applicables au niveau fédéral, étatique et local.

Ne prêtez ni ne louez votre perche élagueuse sans ce manuel. N'autorisez que les personnes qui comprennent parfaitement les informations contenues dans ce manuel à faire fonctionner la perche élagueuse.

Pour de plus amples informations ou si vous ne comprenez pas les instructions de ce manuel, veuillez consulter www.stihl.ca ou contactez votre distributeur agréé STIHL.

2 Indications concernant la présente Notice d'emploi

2.1 Mots de signalement

Ce manuel contient des informations de sécurité qui requièrent une attention particulière de votre part. Ces informations sont introduites par les symboles et les mots de signalement suivants :

DANGER

Indique une situation dangereuse qui, si elle n'est pas évitée, entraînera la mort ou des blessures graves.

AVERTISSEMENT

Indique une situation dangereuse qui, si elle n'est pas évitée, pourrait entraîner la mort ou des blessures graves.

AVIS

Indique un risque de dommages matériels, y compris des dommages à la machine ou à ses composants individuels.

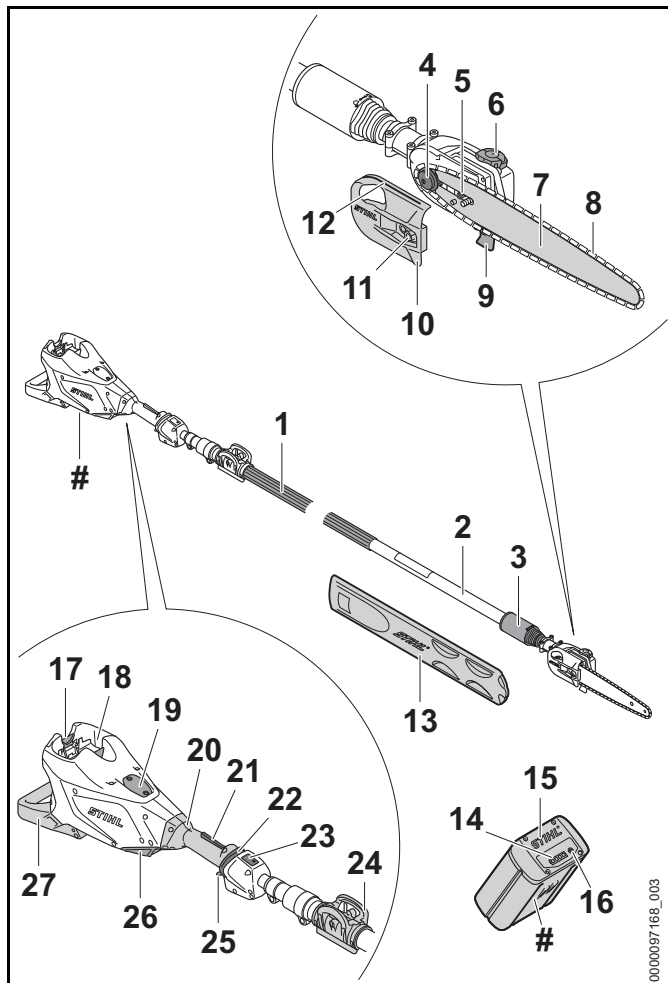
2.2 Symboles employés dans le texte

Le symbole suivant est inséré dans le texte pour vous faciliter l'utilisation de la présente Notice :

Ce symbole renvoie au chapitre ou sous-chapitre indiqué, de la présente Notice d'emploi.

3 Principales pièces

3.1 Perche élagueuse et batterie STIHL HTA 135



1 Poignée avant

Poignée pour la main avant de l'opérateur.

2 Tube d'entraînement

Arbre de la perche élagueuse.

3 Écrou de serrage

Pour ajuster la longueur du tube d'entraînement.

4 Pignon à chaîne

Entraîne la chaîne coupante.

5 Tendeur de chaîne latéral

Permet un réglage précis de la tension de la chaîne.

6 Bouchon du réservoir à huile

Pour fermer le réservoir d'huile.

7 Guide-chaîne

Supporte et guide la chaîne coupante.

8 Chaîne coupante

Outil de coupe denté composé de gouges, de liens d'attache et de maillons-guides.

9 Crochet

Aide à maintenir la perche élagueuse stable contre la branche pendant la coupe.

10 Couvercle de pignon

Recouvre le pignon.

11 Écrou

Serre le couvercle du pignon.

12 Vue d'ébranchage

Aide l'opérateur à positionner le guide et la chaîne pour la coupe.

13 Fourreau de chaîne

Couvre le guide-chaîne et la chaîne de la tronçonneuse pour réduire le risque de blessure par contact accidentel pendant le transport et le stockage.

14 DEL sur la batterie

Indiquent l'état de charge de la batterie et signalent des messages d'erreur concernant d'éventuels dysfonctionnements au niveau de la batterie ou de l'outil électrique.

15 Batterie

Fournit l'énergie électrique au moteur.

16 Bouton poussoir

Active les DEL de la batterie.

17 Leviers de verrouillage

Bloquent la batterie dans son logement.

18 Compartiment de la batterie

Accueille la batterie.

19 Couverture de cavité pour le montage¹

Couvre la zone de montage d'un Smart Connector 2 A.

20 Poignée de commande

Poignée pour la main arrière de l'opérateur.

21 Bouton de blocage de la gâchette

Doit être enfoncé pour permettre une activation de la gâchette.

22 Verrou de retenue

Pour mettre la perche élagueuse en marche.

23 DEL

Indique le niveau de puissance de l'appareil.

24 Clip d'harnais

Pour le raccordement d'un harnais à la perche élagueuse.

25 Gâchette

Active la chaîne coupante lorsqu'elle est enfoncée.

26 Filtre à air

Filtre l'air acheminé dans le moteur.

27 Soutien à la machine

Pour faire reposer la perche élagueuse sur le sol.

Plaque signalétique

Comporte des caractéristiques électriques ainsi que le numéro de série du produit.

¹ Retirez la couverture de cavité pour le montage uniquement pour installer un Smart Connector 2 A. Rangez-le en lieu sûr pour une réinstallation ultérieure. Utilisez toujours l'outil électrique avec la couverture de cavité pour le montage en place ou avec le Smart Connector 2 A monté.

4 Symboles de sécurité sur les produits

4.1 Perche élagueuse

Les symboles de sécurité suivants se trouvent sur la perche élagueuse.




Pour réduire le risque de blessure, respectez les consignes de sécurité spécifiées.




Lisez et observez toutes les consignes de sécurité dans le manuel d'utilisation. Une utilisation incorrecte peut causer des blessures graves, voire mortelles, ou des dommages matériels.




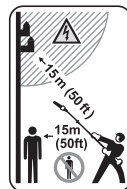
Pour réduire tout risque de blessure aux yeux et à la tête, portez toujours une protection oculaire appropriée et un casque homologué,  6.3.




Portez des bottes robustes équipées de semelles antidérapantes. Les bottes de sécurité à embout d'acier sont recommandées,  6.3.



Portez toujours des gants de travail robustes antidérapants (par exemple en cuir ou en un autre matériau résistant à l'usure) lors de la manipulation de la machine ou la chaîne coupante,  6.3.



Pour réduire le risque de blessure, gardez les spectateurs à une distance d'au moins 50 ft. (15 m) et maintenir un dégagement d'au moins 50 ft. (15 m) entre la perche élagueuse (y compris les branches avec lesquelles il est en contact) et toute ligne électrique transportant du courant sous tension,  6.5.4.



Pour réduire le risque de blessures ou de dommages matériels dus à une activation involontaire, retirez la batterie chaque fois que vous n'utilisez pas la perche élagueuse, 6.4.

4.2 Batterie

Les symboles de sécurité suivants se trouvent sur la batterie en sac à dos série AR et sur la batterie série AP :



Pour réduire le risque de blessure, respectez les consignes de sécurité spécifiées.



Lisez et observez toutes les consignes de sécurité dans le présent manuel de la batterie et dans le manuel de l'outil électrique STIHL alimenté par cette batterie. Une utilisation incorrecte peut causer des blessures graves, voire mortelles, ou des dommages matériels.



Pour réduire le risque de blessures ou de dommages matériels résultant d'un incendie, d'une explosion ou de brûlures, y compris les brûlures chimiques, ne démontez pas la batterie, ne la broyez pas, ne l'endommagez pas et ne la chauffez pas à plus de 212 °F (100 °C). Ne l'exposez jamais au feu et ne l'incinerez pas, 8.1.



Pour réduire le risque de blessures ou de dommages matériels résultant d'un incendie, l'utilisez et stockez uniquement dans une plage de températures ambiantes de 14 °F à 122 °F (-10 °C à 50 °C), 8.1.

Batteries dorsales AR 900, 1000, 2000, 3000



Pour réduire tout risque de blessures ou de dommages matériels résultant d'un court-circuit, d'un incendie ou d'une explosion, gardez-la au sec. Protégez-la contre la pluie, l'eau, les liquides et les conditions humides. Ne l'immergez jamais dans l'eau ou d'autres liquides, 8.1.

Batteries dorsales AR L



Pour réduire tout risque de blessures ou de dommages matériels résultant d'un court-circuit, d'un incendie ou d'une explosion, gardez-la au sec. Ne l'immergez jamais dans l'eau ou d'autres liquides, 8.1.

Batteries série AP



Pour réduire tout risque de blessures ou de dommages matériels résultant d'un court-circuit, d'un incendie ou d'une explosion, gardez-la au sec. Ne l'immergez jamais dans l'eau ou d'autres liquides, 8.1.

Batteries vendues séparément.

5 Indications générales de sécurité pour outils électroportatifs

5.1 Introduction

Ce chapitre contient les avertissements et instructions de sécurité généraux prescrits pour les outils électriques portatifs à moteur. Des avertissements et instructions importants supplémentaires se trouvent dans les chapitres suivants du présent manuel.

⚠ AVERTISSEMENT

- **Lisez tous les avertissements et toutes les instructions de sécurité.** Le non-respect des avertissements et instructions peut entraîner une électrocution, un incendie et/ou des blessures graves.
- **Conserver tous les avertissements et instructions pour consultation ultérieure.**

Dans les avertissements, l'expression « outil électrique » désigne votre outil électrique alimenté par le secteur (cordon) ou sur batterie (sans fil).

5.2 Sécurité de la zone de travail

- a) **Gardez la zone de travail propre et bien éclairée.** Les zones mal rangées ou sombres sont propices aux accidents.
- b) **N'utilisez pas les outils électriques dans des atmosphères explosibles, comme en présence de liquides, de gaz ou de poussières inflammables.** Les outils électriques créent des étincelles qui peuvent enflammer les poussières ou les vapeurs.
- c) **Éloignez les enfants et les spectateurs lorsque vous utilisez un outil électrique.** Les distractions peuvent vous faire perdre le contrôle.

5.3 Sécurité électrique

- a) **Les fiches des outils électriques doivent correspondre à la prise murale. N'apportez jamais aucune modification à la fiche. N'utilisez pas de fiches d'adaptation avec les outils électriques reliés à la terre.** Les fiches non modifiées et les prises adaptées réduiront le risque d'électrocution.
- b) **Évitez tout contact corporel avec des surfaces mises à la terre telles que les tuyaux, les radiateurs, les cuisinières et les réfrigérateurs.** Il existe un risque accru d'électrocution si votre corps est relié à la terre.
- c) **N'exposez pas les outils électriques à la pluie ou à l'humidité.** L'eau qui pénètre dans un outil électrique augmentera le risque d'électrocution.
- d) **Ne maltraitez pas le cordon d'alimentation. N'utilisez jamais le cordon d'alimentation pour transporter, tirer ou débrancher l'outil électrique. Gardez le cordon d'alimentation loin de la chaleur, de l'huile, des bords tranchants ou des pièces mobiles.** Le risque d'électrocution augmente avec les cordons d'alimentation endommagés ou emmêlés.
- e) **Lorsque vous utilisez un outil électrique à l'extérieur, utilisez un câble prolongateur adapté à un usage extérieur.** L'utilisation d'un cordon d'alimentation adapté à un usage extérieur réduira le risque d'électrocution.

- f) **Si l'utilisation d'un outil électrique dans un endroit humide est inévitable, utilisez un dispositif à courant résiduel (RCD) ou un disjoncteur de protection contre les défauts à la terre (GFCI).** L'utilisation d'un disjoncteur RCD ou GFCI réduit le risque de choc électrique.

5.4 Sécurité personnelle

- a) **Restez vigilant, regardez ce que vous faites et faites preuve de bon sens lorsque vous utilisez un outil électrique. N'utilisez pas un outil électrique si vous êtes fatigué ou sous l'influence de drogues, d'alcool ou de médicaments.** Lorsque vous utilisez un outil électrique, un moment d'inattention peut entraîner des blessures graves.
- b) **Utilisez un équipement de protection individuelle. Portez toujours une protection oculaire.** Les équipements de protection tels que les masques à poussière, des chaussures de sécurité antidérapantes, un casque ou une protection auditive utilisés pour les conditions appropriées, réduiront les blessures personnelles.
- c) **Évitez tout démarrage intempestif. Assurez-vous que l'interrupteur est en position arrêt avant de brancher l'appareil à une source d'alimentation et/ou à la batterie, ou encore de saisir ou de transporter l'outil.** Le transport des outils électrique avec le doigt sur l'interrupteur ou la mise sous tension des outils électriques alors que l'interrupteur se trouve en position de marche est propice aux accidents.
- d) **Retirez toute clé de réglage ou pince de serrage avant d'allumer l'outil électrique.** Une clé ou une pince attachée à une partie rotative de l'outil électrique peut entraîner des blessures graves.
- e) **Ne vous penchez pas trop. Gardez une bonne tenue sur pieds et un bon équilibre à tout moment.** Cela permet un meilleur contrôle de l'outil électrique dans des situations inattendues.
- f) **Portez des vêtements adéquats. Ne portez pas des vêtements amples ni des bijoux. Gardez vos cheveux et vos vêtements loin des pièces en mouvement.** Les vêtements amples, les bijoux ou les cheveux longs peuvent être happés par les pièces mobiles.

- g) **S'il existe des dispositifs servant au raccordement à des installations d'aspiration et de collecte des poussières, assurez-vous qu'ils sont bien branchés et utilisés correctement.** L'utilisation d'un dispositif collecteur de poussière peut réduire les risques causés par les poussières.
- h) **Ne laissez pas la familiarité acquise par une utilisation fréquente des outils vous amener à commettre des négligences et à ignorer les principes de sécurité de l'outil.** Une action imprudente peut causer des blessures graves en une fraction de seconde.

5.5 Utilisation et entretien des outils électriques

- a) **Ne forcez pas l'outil électrique. Utilisez l'outil électrique approprié pour votre application.** Un outil électrique adapté accomplira la tâche correctement et en toute sécurité au rythme pour lequel il a été conçu.
- b) **N'utilisez pas l'outil électrique s'il est impossible de le mettre en marche et de l'arrêter avec l'interrupteur.** Tout outil électrique qui ne peut pas être commandé avec l'interrupteur est dangereux et doit être réparé.
- c) **Débranchez la fiche de la source d'alimentation et/ou retirez, si possible, le bloc de batterie de l'outil électrique avant d'effectuer de quelconques réglages, de changer d'accessoire ou de ranger les outils électriques.** Ces mesures de sécurité préventives réduisent le risque de démarrage accidentel de l'outil électrique.
- d) **Rangez les outils électriques inutilisés hors de portée des enfants et ne laissez pas des personnes non familiarisées avec l'outil électrique ou ces instructions utiliser l'outil électrique.** Les outils électriques sont dangereux dans les mains des utilisateurs novices.
- e) **Entretenez soigneusement les outils électriques et les accessoires. Vérifiez l'absence de défauts d'alignement ou de grippage des parties mobiles, de ruptures de pièces et tout autre état qui pourrait affecter le fonctionnement de l'outil électrique. S'il est endommagé, faites réparer votre outil électrique avant de l'utiliser.** De nombreux accidents sont causés par des outils électriques mal entretenus.

- f) **Gardez vos outils de coupe affûtés et propres.** Des outils de coupe soigneusement entretenus avec des tranchants aiguisés sont moins susceptibles de se coincer et plus faciles à contrôler.
- g) **Utilisez les outils électriques, les accessoires et les embouts, etc. conformément aux présentes instructions, en tenant compte des conditions de travail et du travail à effectuer.** L'utilisation de l'outil électrique pour des opérations qui sont différentes de celles pour lesquelles il a été conçu pourrait donner lieu à une situation dangereuse.
- h) **Gardez les poignées et les surfaces de préhension sèches, propres et exemptes d'huile et de graisse.** Les poignées et surfaces de préhension glissantes ne permettent pas une manipulation en toute sécurité et le contrôle de l'outil dans des situations inattendues.

5.6 Utilisation et entretien des outils à batterie

- a) **Rechargez uniquement avec le chargeur spécifié par le fabricant.** Un chargeur qui convient à un type de bloc de batteries peut donner lieu à un risque d'incendie lorsqu'il est utilisé avec un autre bloc de batteries.
- b) **Utilisez les outils électriques uniquement avec les blocs de batteries spécifiquement conçus à cet effet.** L'utilisation de tout autre bloc de batteries peut entraîner un risque de blessure et d'incendie.
- c) **Lorsque le bloc de batteries n'est pas en cours d'utilisation, tenez-le éloigné des autres objets métalliques, comme les trombones, pièces de monnaie, clés, clous, vis ou autres petits objets métalliques qui peuvent établir une connexion entre les bornes.** Un court-circuit des bornes de batterie peut provoquer des brûlures ou un incendie.
- d) **Dans certaines circonstances, un usage abusif peut provoquer des projections de liquide de la batterie. Évitez tout contact avec celui-ci. En cas de contact accidentel, rincez avec de l'eau. Si le liquide entre en contact avec les yeux, consultez un médecin.** Le liquide s'échappant de la batterie peut provoquer des irritations ou des brûlures.

- e) **N'utilisez pas un bloc de batteries ou un outil qui a été endommagé ou modifié.** Les batteries endommagées ou modifiées peuvent présenter un comportement imprévisible pouvant entraîner un incendie / une explosion ou un risque de blessure.
- f) **N'exposez pas un bloc de batteries ou un outil au feu ou à une température excessive.** L'exposition au feu ou à des températures supérieures à 130 °C / 265 °F peut provoquer une explosion.
- g) **Respectez toutes les instructions de charge et ne chargez pas le bloc de batteries ou l'outil en-dehors de la plage de températures spécifiée dans les instructions.** Une charge inadaptée ou à des températures hors de la plage spécifiée peut endommager la batterie et augmenter le risque d'incendie.

5.7 Entretien

- a) **Faites réparer votre outil électrique par un réparateur qualifié qui utilise uniquement des pièces de rechange identiques.** La sécurité d'utilisation de l'outil électrique pourra ainsi être maintenue avec certitude.
- b) **Ne réparez jamais les blocs de batteries endommagés.** Seul le fabricant ou fournisseur de service agréé est autorisé à réparer les blocs de batteries.

6 CONSIGNES DE SÉCURITÉ IMPORTANTES

6.1 Utilisation prévue

⚠ AVERTISSEMENT

- Cette perche élagueuse est conçue pour l'ébranchage uniquement. Il n'est pas conçu pour fouiller ou pelleter des branches, des racines ou d'autres objets. L'utilisation de

la perche élagueuse pour des opérations différentes de celles pour lesquelles elle a été conçue peut entraîner de graves blessures et même la mort.

- Coupez uniquement du bois. N'utilisez pas, par exemple, la perche élagueuse pour couper du métal, du plastique ou des éléments de maçonnerie.
- Avant de commencer une opération d'ébranchage, assurez-vous que toutes les coupes nécessaires peuvent être effectuées en utilisant la charge restante dans la batterie STIHL série AP ou AR. Si vous n'êtes pas sûr :
 - Ayez plusieurs batteries chargées à portée de main ;
 - Choisissez une perche élagueuse plus puissante ;
 - Choisissez une batterie plus puissante ; ou
 - Consultez un professionnel du service des arbres digne de confiance.
- Lisez et observez les instructions d'utilisation du présent manuel pour les applications approuvées et les techniques de travail recommandées.
- Un usage incorrect risque d'entraîner des lésions corporelles ou des dommages matériels, y compris des dommages à la perche élagueuse.
 - Utilisez la perche élagueuse et la batterie uniquement de la manière décrite dans le présent manuel.
 - N'essayez jamais de modifier ou de neutraliser d'une manière quelconque les dispositifs de commande et de sécurité de la perche élagueuse.
 - N'utilisez jamais une perche élagueuse qui a été modifiée ou transformée par rapport à sa conception originale.
 - Assurez-vous de lire et de suivre les avertissements et les instructions de votre batterie et de votre chargeur avant de charger ou de commencer à travailler.
- Cet outil électrique peut être alimenté par une batterie STIHL série AP. Il peut également être alimenté par une batterie à dos STIHL série AR en combinaison avec un adaptateur AP.

Les batteries, chargeurs et autres accessoires sont vendus séparément.

6.2 Opérateur

▲ AVERTISSEMENT

- Travailler avec la perche élagueuse peut être épuisant. L'opérateur doit être en bonne santé physique et mentale. Réduction du risque de blessure corporelle due à la fatigue et à la perte de contrôle :
 - Avant d'utiliser la perche élagueuse, demandez à votre médecin si votre état de santé pourrait être aggravé par un travail pénible.
 - Ne faites pas fonctionner la perche élagueuse sous l'influence de toute substance (drogues, alcool ou médicaments, etc.) qui pourrait altérer la vision, l'équilibre, la dextérité ou le jugement.
 - Restez vigilants. Ne faites pas fonctionner la perche élagueuse si vous êtes fatigué. Faites une pause si vous êtes fatigué.
 - Ne permettez pas aux mineurs d'utiliser la perche élagueuse.
 - Les spectateurs, en particulier les enfants, et les animaux ne doivent pas être autorisés dans la zone où la perche élagueuse est utilisée.
- L'utilisation prolongée d'une perche élagueuse (ou d'autres outils électriques) exposant l'opérateur à des vibrations peut provoquer une maladie des doigts blancs (phénomène de Raynaud) ou le syndrome du canal carpien. Ces conditions réduisent la capacité de la main à ressentir et à réguler la température. Elles produisent un engourdissement et des sensations de brûlure et peuvent également causer des dommages nerveux et circulatoire ainsi qu'une nécrose des tissus.
- Tous les facteurs qui contribuent à la maladie des doigts morts ne sont pas connus. Le temps froid, le fait de fumer et des maladies ou conditions physiques qui affectent les vaisseaux sanguins et le transport du sang, ainsi que des niveaux de vibration élevés et de longues périodes d'exposition aux vibrations, sont mentionnés comme des facteurs favorisant le développement de la maladie des doigts morts.
- Pour réduire le risque de maladie des doigts morts et de syndrome du canal carpien :
 - Portez des gants pendant le travail et gardez vos mains au chaud.
 - Veillez à ce que la perche élagueuse soit bien entretenue. Une perche élagueuse mal entretenue ou dont les composants sont mal fixés aura tendance à avoir des niveaux de vibration plus élevés.
 - Gardez la chaîne bien affûtée. Une chaîne émoussée prolongera le temps de coupe et l'enfoncement d'une chaîne émoussée à travers le bois augmentera les vibrations transmises aux mains.
 - Assurez un maintien ferme à tout moment, mais ne comprimez pas les poignées avec une pression constante et excessive. Faites des pauses fréquentes.
- Ces précautions ne garantissent pas que vous ne souffrirez pas de la maladie des doigts morts ou du syndrome du canal carpien.
 - Surveillez de près l'état de vos mains et de vos doigts si vous êtes un opérateur régulier.
 - Consultez immédiatement un médecin si l'un des symptômes ci-dessus apparaît.
- Selon l'état actuel des connaissances de STIHL, le moteur électrique de la perche élagueuse ne doit pas interférer avec un pacemaker.
 - Toutefois, les personnes portant un stimulateur cardiaque ou un autre dispositif médical implanté doivent consulter leur médecin et le fabricant du dispositif avant d'utiliser cette perche élagueuse.

6.3 Équipement de protection individuelle

⚠ AVERTISSEMENT

- Pour réduire les risques de lésion corporelle :
 - Portez toujours des vêtements adéquats et une combinaison de protection ainsi qu'une protection oculaire appropriée.
- Le contact des cheveux, des vêtements ou de la combinaison avec la chaîne coupante en mouvement ou le fait qu'ils soient happés par d'autres composants de la perche élagueuse peut entraîner une perte de contrôle et de graves coupures. Pour réduire les risques de lésion corporelle grave :



- Portez des vêtements robustes et bien ajustés qui offrent également une totale liberté de mouvement.
- Portez des salopettes ou des pantalons en matériau lourd pour protéger vos jambes. Ne portez pas de shorts.

- Évitez les vestes amples, les foulards, les cravates, les pantalons à pattes d'éléphant ou à revers, les bijoux et les autres accessoires qui pourraient rester accrochés aux branches, aux buissons ou à la chaîne coupante en mouvement.
- Attachez les cheveux au-dessus des épaules avant de commencer le travail.

- Pour réduire les risques de lésion oculaire :



- Portez toujours des lunettes protectrices ou des lunettes de sécurité étanches avec protection supérieure et latérale adéquate qui sont résistantes aux chocs et marquées comme étant conformes à la norme CSA Z94.
- Pour réduire le risque de blessure au visage, le STIHL recommande de porter également un écran facial ou un masque facial par-dessus vos lunettes de protection.

- Pour réduire le risque de blessure à la tête par des chutes de branches ou d'autres objets pendant le travail :
 - Portez un casque de protection homologué.
- Une bonne tenue sur pieds est très importante. Pour aider à garder une bonne tenue sur pieds et réduire le risque de blessures en travaillant :



- Portez des bottes robustes équipées de semelles antidérapantes. Les bottes de sécurité à embout d'acier sont recommandées. Ne portez pas de sandales, de tongs, de chaussures à bout ouvert ou similaire.

- Pour améliorer votre préhension et aider à protéger vos mains :







- Portez toujours des gants de travail robustes antidérapants en cuir ou en un autre matériau résistant à l'usure lors de la manipulation de la perche élagueuse.

6.4 Perche élagueuse

⚠ AVERTISSEMENT

- Pour réduire le risque d'électrocution :
 - N'immergez pas la perche élagueuse dans l'eau ou d'autres liquides.
 - Rangez la perche élagueuse dans la maison.
- La chaîne coupante comporte de nombreuses gouges tranchantes. Un contact avec les gouges peut causer de graves coupures, même si la chaîne coupante est immobile. Pour réduire les risques de telles blessures :
 - Gardez les mains, les pieds et les autres parties du corps à distance de la chaîne coupante.
 - Portez des gants de travail robustes lors de la manipulation de la perche élagueuse ou de sa chaîne coupante.
 - Ne touchez jamais une chaîne en mouvement avec votre main ou toute autre partie de votre corps.





- Couvrez le guide-chaîne avec un fourreau à chaîne avant de transporter ou de stocker la perche élagueuse pour réduire le risque de blessure par contact accidentel.
- Les forces de réaction, y compris le rebond, peuvent être dangereuses.
 - Accordez une attention particulière à la section du présent manuel intitulée « Rebond et autres forces réactives »,  7.
- Cette perche élagueuse à batterie est destinée uniquement au débranchage. Une utilisation à d'autres fins peut augmenter le risque de lésions corporelles et de dommages matériels.
 - Coupez uniquement du bois.
 - Lisez et observez les instructions d'utilisation du présent manuel pour les applications approuvées,  18.4.
- Pour réduire le risque de blessure à l'utilisateur et aux spectateurs pendant l'utilisation :
 - Relâchez toujours la gâchette et retirez la batterie avant tout assemblage, transport, réglage, inspection, nettoyage, réparation, entretien ou avant d'entreposer la perche élagueuse et à tout moment lorsqu'il n'est pas utilisé.
- Même si certains accessoires non autorisés s'adaptent sur votre perche élagueuse STIHL, leur utilisation peut être extrêmement dangereuse. Seuls sont recommandés les accessoires fournis par STIHL ou expressément autorisés par STIHL pour une utilisation avec ce modèle spécifique.
 - Utilisez uniquement les accessoires livrés ou expressément autorisés par STIHL.
 - N'apportez jamais aucune modification à cette perche élagueuse, quelle qu'elle soit.
 - N'essayez jamais de modifier ou de neutraliser d'une manière quelconque les dispositifs de commande et de sécurité de la perche élagueuse.
- N'utilisez jamais une perche élagueuse qui a été modifiée ou transformée par rapport à sa conception originale.
- Si la perche élagueuse tombe ou est soumise à des impacts aussi forts :
 - Vérifiez qu'il n'est pas endommagé et qu'il fonctionne normalement avant de poursuivre le travail.
 - Vérifiez que les commandes et les dispositifs de sécurité fonctionnent correctement,  17.1.
 - Vérifiez les éventuels messages d'erreur des DEL,  12.
 - Vérifiez que la batterie n'a pas été endommagée. N'utilisez et ne chargez jamais une batterie défectueuse, endommagée, fissurée, fuyante ou déformée.
 - Ne travaillez jamais avec une perche élagueuse ou une batterie endommagée ou dont le fonctionnement est incorrect. En cas de doute, faites contrôler la perche élagueuse et la batterie par votre distributeur agréé STIHL.
- Si la perche élagueuse ou la batterie sont endommagés, ne fonctionnent pas correctement, ont été laissés à l'extérieur ou sont tombés dans l'eau ou d'autres liquides, leurs composants peuvent ne plus fonctionner correctement et les dispositifs de sécurité peuvent être inopérants. Pour réduire les risques de lésion corporelle et de dommages matériels :
 - Faites vérifier la perche élagueuse et la batterie par votre distributeur agréé STIHL avant toute autre opération.
- Les pièces de rechange STIHL authentiques sont conçues spécifiquement pour correspondre à votre perche élagueuse et répondent aux exigences de sécurité et de performances. L'utilisation de pièces qui ne sont pas autorisées ou homologuées par STIHL peut causer des blessures graves ou la mort ou des dommages matériels.
 - STIHL recommande d'utiliser exclusivement des pièces de rechange STIHL identiques.






6.5 Utilisation de la perche élagueuse

6.5.1 Avant l'utilisation

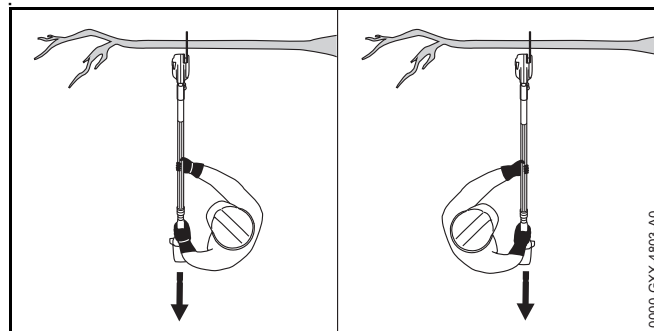
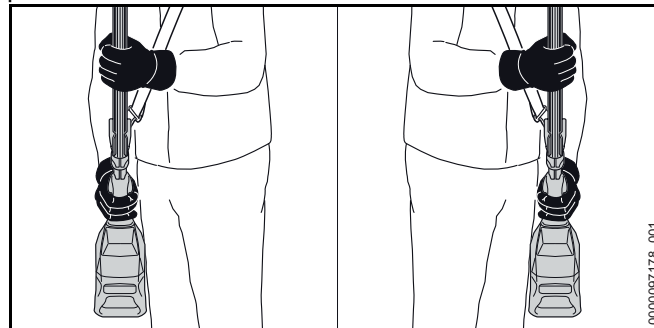
⚠ AVERTISSEMENT

- Une utilisation incorrecte ou non autorisée peut causer des lésions corporelles ou des dommages matériels.
 - N'utilisez la perche élagueuse que de la manière décrite dans ce mode d'emploi.
- Pour un assemblage correct de la chaîne et de son guide :
 - Lisez et observez les instructions relatives au montage du guide-chaîne et de la chaîne,  14.6.
- La chaîne, le guide-chaîne et le pignon doivent coïncider entre eux au niveau du calibre et du pas. Avant un montage ou un remplacement :
 - Lisez les informations relatives aux combinaisons de guide-chaîne et de chaîne,  26.
 - Lisez et observez les instructions relatives au rebond et aux autres forces réactives,  7.
 - Sélectionnez le guide-chaîne le plus court qui répondra à vos besoins de coupe. Les guide-chaînes plus longs ajoutent du poids et peuvent être plus difficiles à contrôler.
- Une tension correcte de la chaîne est extrêmement importante pour maximiser les performances de coupe et réduire le risque de blessure résultant d'une rupture de la chaîne, d'un déraillement ou des forces réactives :
 - Ne coupez jamais avec une chaîne détendue. Si la chaîne se détend pendant la coupe, arrêtez le moteur, serrez le frein de chaîne et retirez la batterie de la perche élagueuse avant de tendre la chaîne. Ne tentez jamais de régler la chaîne alors que la batterie est en place.
 - Lisez et observez les instructions relatives à la tension de la chaîne,  14.7.
 - Assurez-vous toujours que le couvercle du pignon est bien serré après avoir tendu la chaîne coupante afin de fixer le guide-chaîne. Ne démarrez jamais la perche élagueuse avec le couvercle du pignon à chaîne desserré ou manquant.
- Vérifiez une nouvelle fois la tension de la chaîne après avoir serré le couvercle de pignon.
- Contrôlez ensuite la tension de la chaîne à intervalles réguliers (mais seulement après avoir retiré la batterie).
- L'utilisation d'une perche élagueuse modifiée, endommagée, mal réglée ou mal entretenue ou qui n'est pas assemblée entièrement et de manière sûr peut entraîner un dysfonctionnement et accroître le risque de blessures graves ou de mort.
 - Ne faites jamais fonctionner une perche élagueuse qui a été modifiée, endommagée, mal entretenue ou qui n'a pas été installée complètement et en toute sécurité.
 - Vérifiez toujours si votre perche élagueuse est en bon état et fonctionne bien avant de commencer le travail, notamment le verrou de retenue, la gâchette et les lames de coupe.
 - Assurez-vous que le verrou de retenue, le levier Ergo et la gâchette bougent librement et retournent toujours en position d'arrêt en les relâchant. La gâchette ne doit pas venir en prise tant que le verrou de retenue est débloqué.
 - N'essayez jamais de modifier ou de neutraliser d'une manière quelconque les dispositifs de commande et de sécurité.
 - Si votre perche élagueuse ou une partie de celui-ci est endommagée ou ne fonctionne pas correctement, amenez-le à votre distributeur agréé STIHL. N'utilisez pas la perche élagueuse avant d'avoir corrigé le problème.
- Avant d'insérer la batterie :
 - Vérifiez que les contacts dans le logement de la batterie ne présentent aucune trace de corrosion ni d'autres corps étrangers et tenez-les propre. Gardez-la propre.
 - N'insérez ni n'utilisez jamais une batterie défectueuse, endommagée, fissurée, fuyante ou déformée.



- Lisez et observez les instructions relatives à la mise en marche de la perche élagueuse,  16.1.
 - Pour contribuer à réduire les risques de blessure grave ou mortelle résultant d'un démarrage involontaire :
 - Relâchez la gâchette et le bouton de blocage de la gâchette avant d'insérer la batterie.
 - Relâchez la gâchette avant de retirer la batterie.
- 
- Retirez la batterie avant tout assemblage, transport, réglage, inspection, nettoyage, réparation, entretien ou avant d'entreposer la perche élagueuse et à tout moment lorsqu'il n'est pas utilisé.
- Ne laissez jamais la perche élagueuse sans surveillance lorsque la batterie est insérée.
 - Ne stockez jamais la batterie dans la perche élagueuse.
- Avant de mettre votre perche élagueuse en marche, prenez les mesures suivantes pour réduire le risque de blessures, de perte de contrôle ou de contact accidentel avec la chaîne :
 - Assurez-vous que le guide-chaîne et la chaîne sont éloignées de vous-même ainsi que de tous les autres obstacles et objets, y compris le sol.
 - N'essayez jamais d'allumer la perche élagueuse lorsque guide-chaîne se trouve dans une coupe ou une entaille. Cela pourrait conduire à des forces de réaction et des blessures.
 - Lisez et observez les instructions relatives à la mise en marche de la perche élagueuse,  16.1.

6.5.2 Maintenir et contrôler la perche élagueuse

▲ AVERTISSEMENT



- Pour garder une prise ferme et pour contrôler correctement votre perche élagueuse :
 - Gardez les poignées propres et sèches à tout moment. Gardez-les exemptes d'humidité, de poix, d'huile, de graisse et de résine.
- Pour réduire le risque de blessures graves ou mortelles à l'opérateur et aux spectateurs suite à une perte de contrôle :
 - Pendant le travail, tenez toujours fermement la perche élagueuse avec les deux mains sur les surfaces de préhension définies.
 - Enroulez étroitement vos doigts autour des poignées, en gardant les poignées prises en tenaille entre le pouce et l'index (voir l'illustrations).

- Positionnez la perche élagueuse de manière à ce que toutes les parties de votre corps soient dégagées de l'outil de coupe lorsque la batterie est insérée. Tenez-vous à gauche ou à droite de la coupe en ébranchant, en dehors du plan de coupe (voir illustration).
- Évitez tout contact d'un objet quelconque avec le quadrant supérieur de la pointe du guide-chaîne. Un rebond risquerait de se produire.
- Tenez toujours la perche élagueuse fermement avec les deux mains lorsque vous travaillez.
- Lisez et observez les avertissements et les instructions figurant dans le chapitre Rebond et autres forces réactives,  7.
- L'utilisation d'une seule main rend difficile l'opposition et l'absorption de forces réactives (recul, rétraction, rebond) sans perdre le contrôle de la perche élagueuse. Il est également difficile d'empêcher le guide et la chaîne de rebondir le long d'une branche. Pour réduire le risque de blessures graves ou mortelles à l'opérateur et aux spectateurs suite à une perte de contrôle :
 - N'essayez jamais d'utiliser la perche élagueuse d'une seule main.
- Pour réduire le risque de coupures graves ou mortelles à l'opérateur et aux spectateurs suite à une perte de contrôle, gardez une bonne tenue sur pieds et un bon équilibre à tout moment :
 - Ne travaillez jamais sur une échelle, sur un toit, dans un arbre ou en vous tenant debout sur tout autre support instable.
 - Soyez particulièrement attentif aux obstacles humides ou cachés, tels que des souches d'arbres, les racines, les rochers, les trous et les fossés pour éviter de trébucher ou de chuter si le terrain est envahi par la végétation.
 - Soyez extrêmement prudent lorsque vous travaillez sur des pentes ou un sol irrégulier.
- Pour une meilleure tenue sur pieds, écartere toujours les branches tombées au sol, les broussailles, les chutes et autres matériels, objets ou végétations qui augmentent le risque de glissade, de trébuchement ou de chute.
- Soyez extrêmement prudent lorsque vous coupez des buissons de petite taille, des branches et des gaules, car le matériau mince peut être capturé dans la chaîne et être projeté dans votre direction ou vous déséquilibrer.
- Ne vous penchez pas trop. Gardez une bonne tenue sur pieds et un bon équilibre à tout moment.
- N'essayez jamais de démarrer la perche élagueuse lorsque le guide-chaîne se trouve dans une coupe ou un trait de scie. Cela pourrait conduire à des forces de réaction et des blessures. Au lieu de cela, retirez le guide-chaîne de la coupe puis pénétrez-y de nouveau à pleine vitesse en veillant à éviter tout contact de la pointe du guide-chaîne avec un objet quelconque.
- Pour une perche élagueuse avec une tige réglable, n'élargissez la tige que dans la mesure nécessaire pour l'application prévue, mais ne coupez jamais directement au-dessus de la tête. Veiller à ce que la perche élagueuse ne soit pas positionnée à plus de 60° du plan horizontal,  6.5.4.
- Travailler au-dessus de la hauteur des épaules peut être fatigant. Pour réduire le risque de blessures dues à la fatigue :
 - Ne tenez jamais la machine avec la main arrière sur la poignée de commande au-dessus de la hauteur des épaules.
 - Faites des pauses fréquentes.
- Le crochet est conçu pour permettre un meilleur contrôle de la perche élagueuse pendant la coupe. Si vous travaillez sans le crochet, la perche élagueuse peut vous

tirer vers l'avant de façon soudaine. La conséquence pourrait être une perte de contrôle ou un rebond si la pointe du guide-chaîne frappe un objet.

- Travaillez toujours avec le crochet pour garder un meilleur contrôle de la perche élagueuse.
- L'application d'une pression sur la perche élagueuse en fin de coupe peut provoquer une accélération du guide et de la chaîne en rotation hors du trait de scie, une perte de contrôle et un choc contre un autre objet. Pour réduire les risques de lésion :
 - Soyez prudent en approchant de la fin d'une coupe.
 - N'exercez jamais de pression sur la perche élagueuse lorsque vous atteignez la fin d'une coupe.

6.5.3 Conditions de travail

▲ AVERTISSEMENT

- N'utilisez votre perche élagueuse que lorsque la visibilité est bonne et que les conditions diurnes sont favorables.
 - Reportez le travail si le temps est venteux, brumeux, pluvieux ou peu clément.
 - Ne coupez jamais près de lignes électriques.
- Votre perche élagueuse est une machine à une personne.
 - Ne permettez pas à d'autres personnes de se tenir dans la zone de travail générale.
 - Les spectateurs, en particulier les enfants, et les animaux ne doivent pas être autorisés dans la zone où il est utilisé.
 - Arrêtez immédiatement le moteur si quelqu'un s'approche de vous.
- Pour réduire le risque de blessure pour les passants et les utilisateurs non autorisés :
 - Ne laissez jamais la perche élagueuse sans surveillance lorsque la batterie est insérée.
 - Éteignez la perche élagueuse et retirez la batterie pendant les pauses et chaque fois que la perche élagueuse n'est pas utilisée.
- Les étincelles générées par le fonctionnement de la perche élagueuse peuvent enflammer des gaz, des liquides, des vapeurs, des poussières ou d'autres matériaux et substances combustibles. Pour réduire les risques d'incendie et d'explosion :
 - Ne faites jamais fonctionner la perche élagueuse dans un endroit où il y a des gaz, des liquides, des vapeurs, des poussières ou d'autres matières et substances combustibles inflammables.
 - Lisez et suivez les recommandations émises par les agences gouvernementales (par exemple le CCOHS) pour identifier et éviter les dangers des gaz, liquides, vapeurs, poussières ou autres matériaux et substances combustibles.
- Des étincelles peuvent se produire si une chaîne en rotation heurte une roche ou un autre objet dur, lesquelles peuvent enflammer des matériaux inflammables dans certaines circonstances. Les matériaux inflammables peuvent inclure une végétation et des buissons secs, en particulier lorsque les conditions météorologiques sont chaudes et sèches.
 - Lorsqu'il y a un risque d'incendie ou de feu de forêt, n'utilisez pas votre perche élagueuse autour de matériaux inflammables ou autour de végétation sèche ou de broussailles.
 - Contactez les autorités locales chargées de la lutte contre les incendies ou le Service canadien des forêts si vous avez des questions sur l'adéquation de la végétation et des conditions météorologiques pour l'utilisation d'une perche élagueuse.
- L'utilisation de cette perche élagueuse et l'affûtage de sa chaîne peuvent générer de la poussière, des brouillards d'huile et d'autres substances contenant des produits chimiques connus pour provoquer des problèmes respiratoires, des cancers, des anomalies congénitales et d'autres atteintes à la reproduction.
 - Consultez les organismes gouvernementaux tels que les ECCC, le CCOHS et PHAC ainsi que d'autres sources faisant autorité en matière de

substances dangereuses si vous ne connaissez pas les risques associés aux substances particulières que vous coupez ou avec lesquelles vous travaillez.

- L'inhalation de certaines poussières, en particulier les poussières organiques telles que les moisissures ou le pollen, peut provoquer une réaction allergique ou asthmatique chez les personnes sensibles. L'inhalation importante ou répétée de poussières ou d'autres polluants atmosphériques, en particulier ceux dont la taille des particules est plus petite, peut provoquer des maladies respiratoires ou autres. Cela inclut la poussière de bois, notamment en provenance de feuillus, mais aussi de certains résineux tels que le cèdre rouge de l'ouest.
 - Contrôlez autant que possible la poussière (comme la sciure) et les brouillards (comme le brouillard d'huile de lubrification de la chaîne) à la source.
 - Travaillez toujours avec une chaîne bien affûtée, qui produit des copeaux de bois plutôt que des poussières fines.
 - Faites fonctionner la perche élagueuse autant que possible de manière à ce que le vent ou le processus de fonctionnement détourne de l'opérateur toute poussière, brouillard ou autres particules projetées par la perche élagueuse.
 - Si la poussière respirable ou d'autres particules fines de poussière ne peuvent pas être maintenues au niveau ou à proximité des niveaux de fond, portez toujours un équipement respiratoire approuvé par PHAC et conçu pour les conditions de travail. Suivez les recommandations des organismes gouvernementaux (par exemple, le CCOHS/PHAC) et des associations professionnelles et commerciales.

- Si la végétation coupée ou la terre environnante est recouverte d'une substance chimique comme un pesticide ou un herbicide :
 - Lisez et observez les instructions et les avertissements accompagnant la substance qui recouvre la végétation ou la terre environnante.
- L'inhalation de poussière d'amiante est dangereuse et peut causer des maladies graves, voire mortelles, des maladies respiratoires ou le cancer, y compris le mésothéliome. L'utilisation et l'élimination des produits contenant de l'amiante sont strictement réglementées par le CCOHS et le ECCC.
 - N'utilisez pas votre perche élagueuse pour couper ou déranger l'amiante ou les produits contenant de l'amiante.
 - Arrêtez immédiatement de travailler et contactez les autorités nationales et locales compétentes et/ou ECCC, votre employeur ou le représentant local du CCHST si vous avez des raisons de penser que l'amiante peut être une nuisance.
- Un contact répété avec de l'huile usée peut causer le cancer de la peau et son utilisation est nocive pour l'environnement.
 - N'utilisez pas d'huile usagée pour lubrifier le guide et la chaîne de votre perche élagueuse STIHL.

6.5.4 Instructions d'utilisation

AVERTISSEMENT

- To reduce the risk of serious injury due to unintentional starting :
 - Ne touchez jamais une chaîne avec votre main ou une partie de votre corps lorsque la batterie est insérée, même si la chaîne ne tourne pas.
- Pour réduire le risque de blessures par coupe :
 - Gardez les mains et les pieds à distance de la chaîne coupante.
 - Ne touchez jamais une chaîne en mouvement avec votre main ou toute autre partie de votre corps.

- Tirez toujours l'appareil hors de la coupe avec la chaîne en marche pour réduire la possibilité de pincer l'outil de coupe.
 - Si la chaîne est bouchée, arrêtez toujours le moteur, retirez la batterie et assurez-vous que la chaîne s'est arrêtée avant de la nettoyer.
 - Si un pincement se produit qui emprisonne le guide/chaîne, arrêtez le moteur et retirez la batterie avant d'essayer de retirer la guide.
 - N'exercez pas de pression sur la perche élagueuse lorsque vous arrivez au bout d'une coupe. La pression peut faire sortir le guide et la chaîne en rotation de la coupure ou du trait de scie, devenir incontrôlable et heurter un autre objet.
- La chaîne continue de se déplacer pendant une courte période après avoir complètement relâché la gâchette de commande.
 - Attendez que la chaîne s'immobilise avant de vous déplacer avec la perche élagueuse ou de le déposer.
 - En cas d'urgence :
 - Arrêtez immédiatement le moteur et retirez la batterie.
 - Un contact avec des corps étrangers pendant la coupe peut provoquer une rupture ou une éjection de la chaîne, ou encore amener la perche élagueuse à projeter des débris dangereux ou rebondir dans la direction de l'opérateur. Pour réduire les risques de blessures graves ou mortelles résultant d'un contact avec des corps étrangers :
 - Examinez la branche avant de couper.
 - Enlevez tous les corps étrangers pour garantir que le bois est exempt de matériaux tels que des clous, des pointes, des câbles ou des fils.
 - Avant de commencer une coupe, assurez-vous qu'elle peut être menée à bien sans entrer en contact avec des objets ou des structures environnantes telles qu'une clôture ou un ouvrage en pierre.

- L'outil à moteur a une grande portée. Réduire le risque de blessure personnelle, voire mortelle, pour les passants en cas de chute d'objets ou de contact accidentel avec l'outil de coupe

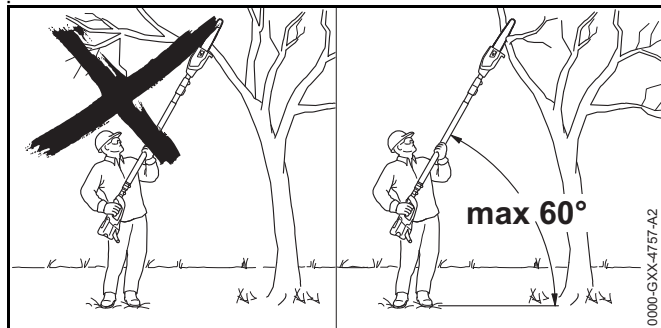


- Gardez toujours les spectateurs à au moins 50 ft. (15 m) lorsque l'outil électrique est utilisé.

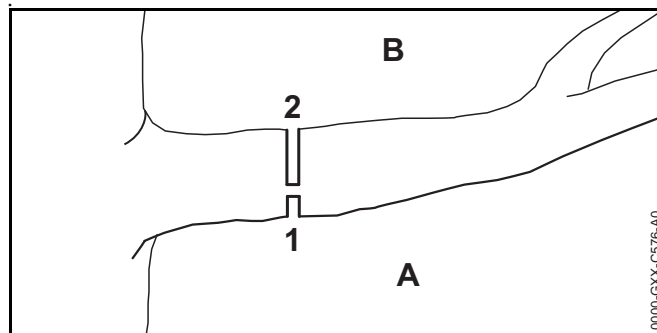
- Ne permettez pas à d'autres personnes de se tenir dans la zone de travail générale.

- Vérifiez régulièrement la chaîne et le guide-chaîne à de courts intervalles pendant l'utilisation, ou immédiatement si vous constatez un changement dans le comportement de coupe :
 - Arrêtez le moteur et retirez la batterie.
 - Vérifiez l'état et la tension de la chaîne. Vérifiez l'absence de dommages sur la chaîne ou le guide-chaîne.
 - S'il est impossible de tendre correctement la chaîne, ou si d'autres composants de la perche élagueuse sont usés ou endommagés, arrêtez immédiatement le travail et amenez votre perche élagueuse à un distributeur agréé STIHL pour examen, réparation ou maintenance.
- Si un arbre est pourri, il peut se briser et tomber vers l'opérateur pendant qu'il est coupé. Pour réduire le risque de blessures dues à la chute de débris, prenez les mesures suivantes avant de commencer à travailler :
 - Observez l'état général de l'arbre. Inspectez le tronc et les branches à la recherche de pourriture. Cherchez les branches mortes qui pourraient se détacher en vibrant et tomber sur l'opérateur.
 - Pour éviter qu'une grosse branche ne se fende, faites une coupe de secours peu profonde au bas de la branche avant de faire une coupe de finition par le haut. Cette procédure permettra de réduire les

dommages causés à l'arbre et contribuera également à rendre la chute de la branche plus prévisible.



- Pour réduire le risque de blessures graves, voire mortelles, dues à la chute d'objets :
 - Ne coupez jamais directement au-dessus de la tête. Ne tenez pas la perche élagueuse à plus de 60° du plan horizontal (voir illustration).
 - Ne vous tenez jamais sous la branche qui est coupée.
 - Surveillez les chutes de branches. Les objets peuvent tomber dans des directions inattendues.
 - Établir une voie d'évacuation loin de l'endroit où les branches peuvent tomber.
 - Dès que la branche coupée commence à tomber, éloignez-vous et gardez une distance suffisante.
 - Maintenez la zone de travail dégagée et exempte d'obstacles et de branches tombées. Placez tous les outils et équipements en dehors de votre zone de travail immédiate et de votre voie d'évacuation.
- Il y a un risque accru de pincement de la perche élagueuse lors de la coupe de branches sous tension. La tension du bois peut également se relâcher soudainement et avec une grande force, propulsant la branche ou la perche élagueuse dans l'opérateur, provoquant une blessure ou une perte de contrôle.



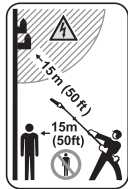
- Pour réduire le risque de blessures corporelles graves ou mortelles dues à la perte de contrôle lors de la coupe de bois sous tension :
 - Commencez toujours par une coupe de soulagement (1) sur le côté compression (A) de la branche, puis faites une coupe transversale (2) sur le côté tension (B).
 - S'il se produit un pincement qui emprisonne la barre/chaîne, arrêtez le moteur, retirez la batterie et retirez la perche élagueuse de la branche, en veillant à ce que la branche ne se casse pas ou ne se relâche pas soudainement.

⚠ DANGER

- L'électricité peut sauter d'un point à un autre en formant un arc électrique. Une tension plus élevée augmente la distance à laquelle l'électricité peut sauter par-dessus. L'électricité peut également circuler dans les branches, surtout si elles sont humides. Pour réduire le risque d'électrocution :



- N'utilisez jamais cette peche élagueuse à proximité de fils ou de câbles qui pourraient être sous tension. Recherchez soigneusement les fils cachés avant de commencer à travailler.
- Ne coupez jamais près de lignes électriques.
- Tenez l'outil électrique uniquement au niveau des surfaces de préhension désignées, mais ne comptez pas sur elles pour vous protéger contre les chocs électriques. Cette perche élagueuse n'est pas isolée.



- Maintenez une distance d'au moins 50 ft (15 m) entre le perchoir (y compris les branches avec lesquelles il est en contact) et toute ligne électrique transportant du courant sous tension.
- Avant de travailler avec une distance moindre, contactez votre compagnie d'électricité et assurez-vous que le courant est coupé.

un objet solide comme une bille ou une branche ou si elle est coincée, des forces réactives peuvent se produire instantanément.

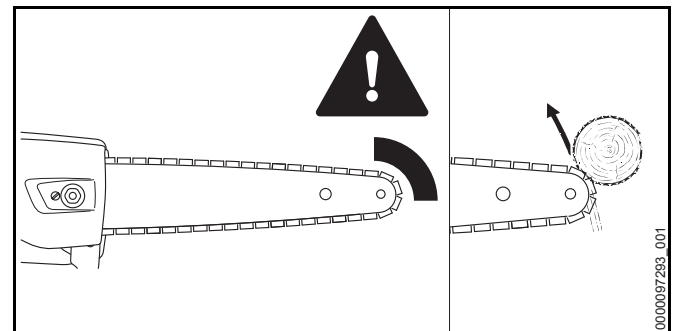
- Ces forces réactives peuvent entraîner une perte de contrôle qui, à son tour, peut causer des blessures graves ou mortelles.
 - Une compréhension des causes de ces forces réactives peut vous aider à éviter l'élément de surprise et la perte de contrôle. La surprise favorise les accidents.
- En raison de la conception de la perche élagueuse, les forces de réaction ressenties lors de son utilisation ne sont généralement pas aussi sévères que celles rencontrées avec une tronçonneuse.
 - Néanmoins, gardez toujours une bonne prise et un bon pied pour contrôler la perche élagueuse lorsque vous subissez de telles forces.

Les forces réactives les plus courantes sont :

- Force de rebond
- Accrochage
- Refoulement

7.2 Rebond

7.2.1 Force de rebond



7 Rebond et autres forces réactives

7.1 Forces de réaction

▲ AVERTISSEMENT

- Les forces réactives peuvent survenir à tout moment lorsque la chaîne tourne. Les forces réactives peuvent causer des blessures graves ou mortelles.
- Les puissantes forces utilisées pour couper du bois peuvent être inversées et agir contre l'opérateur. Si la chaîne coupante en rotation est soudainement et considérablement ralentie ou arrêtée par le contact avec

⚠ AVERTISSEMENT

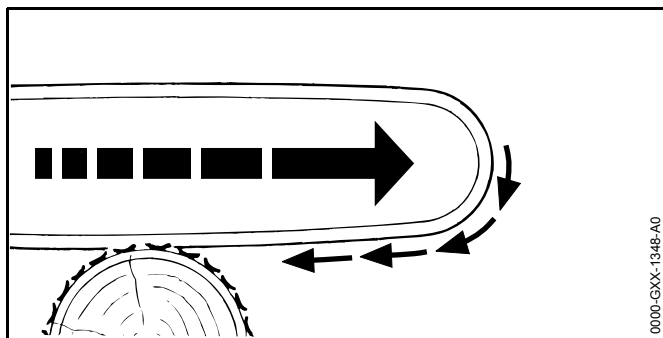
- Le rebond peut se produire lorsque le nez de la chaîne en mouvement près du quadrant supérieur du guide-chaîne entre en contact avec un objet solide ou est coincé.
- Lorsque cela se produit, l'énergie qui entraîne la chaîne peut créer une force qui déplace l'élagueur dans une direction opposée au mouvement de la chaîne au point où celle-ci est ralentie ou arrêtée. Cela peut entraîner un déplacement du guide vers le haut.

7.2.2 Pour éviter le rebond

La meilleure protection contre les lésions corporelles pouvant résulter d'un rebond consiste à éviter les situations de rebond :

- 1) Soyez à tout moment conscient de l'endroit où se trouve le nez du guide-chaîne.
- 2) Ne laissez jamais le nez du guide-chaîne entrer en contact avec un objet quelconque. Ne pas couper les branches avec le nez guide-chaîne. Faites particulièrement attention près des clôtures métalliques et lorsque vous coupez de petites branches dures, qui peuvent facilement attraper la chaîne.
- 3) Ne coupez qu'une seule branche à la fois.

7.3 Accrochage

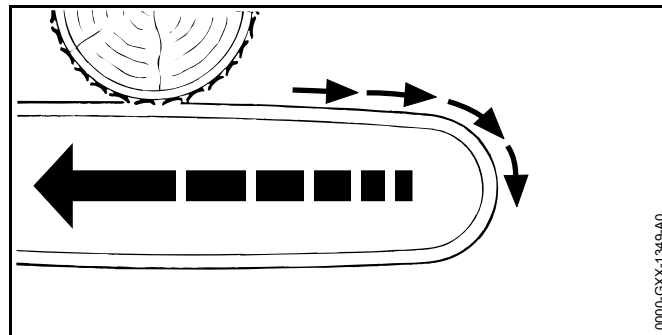


0000-GXX-1348-A0

⚠ AVERTISSEMENT

- L'accrochage se produit lorsque la chaîne sur le dessous du guide-chaîne est brusquement arrêtée ou considérablement ralentie lorsqu'elle se coince, est capturée ou rencontre un corps étranger dans le bois. La réaction de la chaîne tire la perche élagueuse vers l'avant.
- L'accrochage se produit généralement lorsque la chaîne ne tourne pas à pleine vitesse avant d'entrer en contact avec le bois.
- Pour réduire les risques d'accrochage :
 - Soyez attentifs aux forces ou aux situations qui peuvent faire en sorte que le matériau pince la chaîne au bas du guide.
 - Commencez toujours une coupe avec la chaîne tournant à pleine vitesse.

7.4 Refoulement



0000-GXX-1349-A0

⚠ AVERTISSEMENT

- Le refoulement se produit lorsque la chaîne sur le dessus du guide-chaîne est brusquement arrêtée ou considérablement ralentie lorsqu'elle se coince, est capturée ou rencontre un corps étranger dans le bois. La réaction de la chaîne peut pousser la perche élagueuse à revenir rapidement vers l'opérateur.
- Le refoulement se produit généralement lorsque le dessus du guide-chaîne est utilisé pour la découpe.

- Pour réduire les risques de refoulement :
 - Soyez attentifs aux forces ou aux situations qui peuvent faire en sorte que le matériau pince ou lie le haut du guide.
 - Ne coupez pas plus d'une branche à la fois.
 - Ne tordez pas le guide lorsque vous la retirez d'une coupe de sous-bouclier car la chaîne peut pincer ou lier.

8 Sécurité de la batterie

8.1 Avertissements et instructions

AVERTISSEMENT

- Lisez et observez les consignes de sécurité sur la batterie ainsi que les avertissements et les instructions qui accompagnent ce produit.

- L'utilisation de batteries non autorisées peut endommager l'outil électrique et provoquer un incendie, une explosion ainsi que des blessures corporelles et des dommages matériels.
 - Utilisez uniquement des batteries STIHL séries AR ou AP authentiques avec cet outil électrique.
- L'utilisation de batteries STIHL séries AR ou AP à des fins autres que l'alimentation des produits STIHL pourrait être extrêmement dangereuse.
 - Utilisez les batteries STIHL séries AR et AP uniquement pour l'alimentation des produits STIHL compatibles.
- L'utilisation de chargeurs non autorisés peut endommager la batterie et provoquer un incendie, une explosion ainsi que des blessures corporelles et des dommages matériels.
 - Chargez uniquement les batteries STIHL série AP avec des chargeurs originaux de la série STIHL AL 101, AL 300 ou AL 500.
 - Chargez uniquement les batteries dorsales STIHL série AR avec des chargeurs originaux de la série STIHL AL 300 ou AL 500.
- La batterie contient des caractéristiques de sécurité et des dispositifs qui, s'ils sont endommagés, peuvent amener la batterie à produire de la chaleur, se rompre, fuite, prendre feu ou exploser.



- Ne chauffez jamais la batterie au-dessus de 212 °F (100 °C).
- N'incinerez jamais la batterie ni ne la placez sur ou à proximité de flammes, de cuisinières ou d'autres endroits où la température est élevée.
- N'utilisez et ne chargez jamais une batterie défectueuse, endommagée, fissurée, fuyante ou déformée.
- Ne jamais ouvrir la batterie, la démonter, l'écraser, la faire chuter, lui faire subir des chocs importants ou l'endommager d'une autre manière.

- N'exposez jamais la batterie à des microondes ou des hautes pressions.
- N'insérez jamais aucun objet dans les fentes de refroidissement de la batterie.
- Des températures extrêmes peuvent amener la batterie à produire de la chaleur, se rompre, fuir, prendre feu ou exploser, entraînant des blessures graves ou mortelles et des dommages matériels. L'exposition à des températures en dehors de la plage de températures recommandée peut également réduire la durée de vie et les performances de la batterie.



- Utilisez et stockez la batterie uniquement dans une plage de températures ambiantes de 14 °F à 122 °F (-10 °C à 50 °C).
- N'entreposez jamais la batterie en plein soleil ou à l'intérieur d'un véhicule par temps chaud.

- Pour réduire le risque de blessures et de dommages matériels dans le cas où la batterie émet de la fumée, une odeur inhabituelle ou est anormalement chaude pendant l'utilisation, la charge ou l'entreposage :

- Cessez immédiatement d'utiliser ou de charger la batterie. Contactez les autorités en cas d'incendie ou d'explosion.

- Pour réduire tout risque de court-circuit, ce qui pourrait entraîner une décharge électrique, un incendie ou une explosion :



- Gardez les batteries dorsales STIHL AR 900, 1000, 2000, 3000 sec. Protégez-les de la pluie, de l'eau et des autres liquides. Fixez la housse imperméable à la batterie série STIHL AR 1000, 2000, 3000 avant de commencer à travailler sous la pluie ou sous des conditions très humides.



- Si une batterie STIHL AP ou AR L a été exposée à la pluie pendant le travail, retirez-la du produit et laissez-la sécher à l'intérieur. Assurez-vous qu'elle est complètement sèche avant de charger ou d'utiliser.
- N'immergez jamais une batterie STIHL dans l'eau ou d'autres liquides.
- Ne court-circuitiez jamais les bornes de la batterie avec des fils ou d'autres objets métalliques.
- Tenez une batterie qui n'est pas utilisée à l'écart des objets métalliques (trombones, clous, pièces de monnaie, clés).
- Ne transportez ou n'entreposez jamais la batterie dans une boîte métallique.
- Entreposez la batterie à l'intérieur dans un local sec.
- N'entreposez jamais la batterie dans des environnements humides ou corrosifs, ni dans des conditions qui pourraient provoquer la corrosion de ses composants métalliques.
- Protéger la batterie contre une exposition à des agents corrosifs tels que les produits chimiques de jardins et des sels de déneigement.
- Protégez la batterie contre une exposition à des liquides conducteurs tels que l'eau salée.
- N'essayez pas de réparer, d'ouvrir ou de démonter la batterie. Aucune pièce réparable par l'utilisateur ne s'y trouve.
- Une fuite de liquide de la batterie est potentiellement dangereuse et peut provoquer une irritation de la peau et des yeux, des brûlures chimiques et d'autres blessures graves.
 - Évitez tout contact avec la peau et les yeux.
 - Utilisez un absorbant inerte tel que du sable sur le liquide de batterie renversé.
 - En cas de contact accidentel, rincez immédiatement la surface de contact avec de l'eau et du savon doux.

- Si le liquide pénètre dans vos yeux : ne frottez pas. Rincez les yeux ouverts à l'eau pendant au moins 15 minutes et consultez un médecin.
- L'incendie d'une batterie peut être dangereux. Pour réduire les risques de blessure grave et de dommages matériels en cas d'incendie :
 - Évacuez la zone. Le feu peut se propager rapidement. Tenez-vous à l'écart des vapeurs éventuellement générées et gardez une distance sûre.
 - Contactez les pompiers.
 - Bien qu'il soit possible d'utiliser de l'eau pour éteindre un feu de batterie, l'utilisation d'un extincteur chimique sec multi-usages est préférable.
 - Consultez les pompiers concernant une mise au rebut appropriée d'une batterie brûlée.

9 Maintenance, réparation et rangement

9.1 Avertissements et instructions

▲ AVERTISSEMENT

- Il n'existe aucune réparation de la perche élagueuse, de la batterie ou du chargeur que l'utilisateur est autorisé à effectuer lui-même. Pour réduire les risques d'incendie, d'électrocution ou d'autres lésions corporelles et dommages matériels :
 - Les utilisateurs peuvent effectuer uniquement les opérations de nettoyage et de maintenance décrites dans le présent manuel.
 - Respectez scrupuleusement les instructions de nettoyage et de maintenance dans la section appropriée du présent manuel d'utilisation.
 - STIHL recommande de faire effectuer toutes les opérations de réparation par un distributeur agréé STIHL.

- Un démarrage involontaire peut causer des lésions corporelles ou des dommages matériels. Pour réduire les risques de lésion corporelle et de dommages matériels résultant d'un démarrage involontaire :



- Retirez la batterie avant l'inspection de la perche élagueuse ou avant de procéder à toute opération de nettoyage, de maintenance ou de réparation, avant d'entreposer la perche élagueuse et à tout moment lorsqu'il n'est pas utilisé.
- Le guide et la chaîne sont les seules pièces de la perche élagueuse qui peuvent être entretenues par l'utilisateur. Une maintenance correcte contribuera à conserver les performances de coupe et à réduire le risque de blessure causé par un déraillement en chaîne et des forces réactives.
 - Portez des gants lorsque vous manipulez la chaîne coupante.
 - Gardez la chaîne, le guide-chaîne et le pignon propres.
 - Remplacez la chaîne et le guide-chaîne lorsqu'ils sont usés ou endommagés.
 - Gardez la chaîne bien affûtée et à une tension correcte.
 - Serrez tous les écrous, les boulons et les écrous après chaque utilisation.
- Renvoyez immédiatement la perche élagueuse à la maintenance en cas de modification de ses caractéristiques de fonctionnement.

- L'utilisation de pièces qui ne sont pas autorisées ou homologuées par STIHL peut causer des blessures graves ou la mort ou des dommages matériels.
 - STIHL recommande d'utiliser exclusivement des pièces de rechange STIHL identiques pour la réparation ou la maintenance.
- Pour réduire les risques de court-circuit et d'incendie :
 - Gardez les guides de la batterie exempts de corps étrangers. Nettoyez suivant le besoin avec un chiffon sec ou un pinceau doux et sec.
- Un mauvais stockage peut entraîner une utilisation non autorisée, des dommages à la perche élagueuse et un risque accru d'incendie, de choc électrique et d'autres blessures ou dommages matériels.
 - Retirez la batterie de la perche élagueuse avant de l'entreposer.
 - N'entreposez jamais la perche élagueuse ou le chargeur avec la batterie insérée.
 - Conservez la perche élagueuse dans un endroit sec et sûr, inaccessible aux enfants ou à d'autres utilisateurs non autorisés.
 - N'entreposez jamais la batterie dans la perche élagueuse, dans le chargeur, dans un récipient métallique ou dans un récipient avec des objets métalliques (par exemple trombones, clous, pièces de monnaie, clés).










AVIS

Relâchez toujours la tension de la chaîne après avoir terminé le travail. La chaîne se contracte lorsqu'elle refroidit. Si elle n'est pas détendue, elle peut endommager l'arbre d'entraînement et les roulements. Retendez correctement la chaîne avant d'utiliser à nouveau la perche élagueuse.

10 Avant d'entreprendre le travail

10.1 Préparation de la perche élagueuse en vue de l'utilisation

Avant le travail

- ▶ Chargez complètement la batterie,  11.
- ▶ Assemblage de la perche élagueuse,  14.
- ▶ Monter le guide-chaîne et la chaîne coupante,  14.6.
- ▶ Tendez la chaîne,  14.7.
- ▶ Remplissez le réservoir à huile de chaîne,  14.8.2.
- ▶ Vérifiez le bon fonctionnement et le bon état des commandes,  17.1.
- ▶ Vérifiez le débit de l'huile de chaîne,  17.2.
- ▶ Ajustez la longueur du système d'entraînement,  18.1.
- ▶ Mettez en place et réglez des bretelles,  18.3.

11 Recharge de la batterie

11.1 Mise en place du chargeur

AVERTISSEMENT

Lisez et observez les consignes de sécurité sur la batterie et le chargeur ainsi que les avertissements et les instructions qui accompagnent ces produits. Pour réduire le risque de court-circuit, qui pourrait entraîner un choc électrique, un incendie et une explosion, assurez-vous que le chargeur et ses composants sont secs et non endommagés ; faites fonctionner le chargeur à l'intérieur à une température ambiante appropriée.

⚠ AVERTISSEMENT

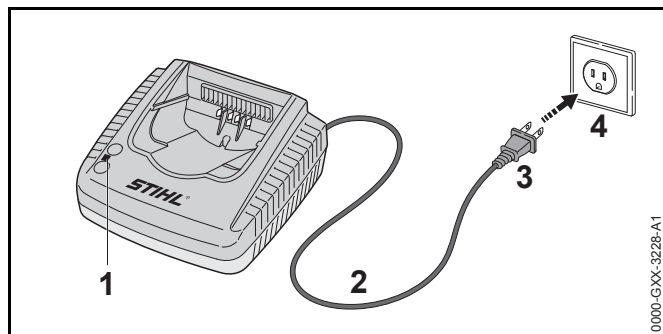
Habituellement, le circuit électrique d'une maison est de 15 à 20 ampères. Un seul chargeur STIHL AL 500 consomme environ 4,8 ampères. Un seul chargeur STIHL AL 300 consomme environ 4,4 ampères. Pour réduire le risque d'incendie dû à la surcharge d'un circuit électrique :

- ▶ Avant de charger votre batterie, assurez-vous que le système électrique est capable de supporter la consommation électrique prévue.
- ▶ Chargez plusieurs batteries une à la fois ou sur des circuits séparés, à moins que vous ne sachiez que votre circuit peut gérer la consommation totale attendue de plusieurs chargeurs.

⚠ AVERTISSEMENT

Comme le chargeur chauffe pendant le processus de chargement, ne le faites pas fonctionner sur une surface combustible ou dans un endroit où se trouvent des gaz, des liquides, des vapeurs, des poussières ou d'autres matériaux et substances combustibles.

Pour installer le chargeur :



- ▶ Insérez la fiche (3) dans une prise électrique (4) correctement installée et correspondant à la tension et à la fréquence électrique indiquées sur la plaque signalétique du chargeur.

Le chargeur effectue un autotest immédiatement après avoir été branché. La DEL de chargeur (1) s'allume en vert pendant environ 1 seconde, puis elle s'allume brièvement en rouge avant de s'éteindre. Une fois la DEL éteinte, l'autotest est terminé et le chargeur est prêt à charger la batterie.

- ▶ Positionnez le cordon d'alimentation (2) de manière à ce qu'il ne puisse pas être piétiné, trébuché, entrer en contact avec des objets pointus ou des pièces mobiles ou être soumis à des dommages ou à des contraintes.

11.2 Charge

⚠ AVERTISSEMENT

Les batteries STIHL contiennent des caractéristiques et des dispositifs de sécurité qui, s'ils sont endommagés, peuvent amener la batterie à produire de la chaleur, se rompre, fuir, prendre feu ou exploser. Ne chargez jamais une batterie défectueuse, endommagée, fissurée, fuyante ou déformée et n'utilisez jamais un chargeur qui a été endommagé. N'insérez jamais une batterie humide ou un adaptateur humide. N'utilisez jamais un chargeur humide. Respectez toutes les mises en garde et instructions spécifiques au produit accompagnant votre batterie et votre chargeur.

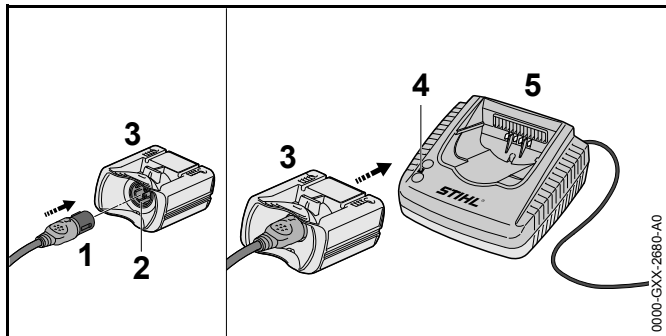
Une batterie n'est pas complètement chargée lorsqu'elle est expédiée de l'usine. STIHL vous recommande de charger complètement la batterie avant de l'utiliser la première fois.

Utilisez le chargeur uniquement à l'intérieur, dans des locaux secs, dans une plage de températures ambiantes de 41 °F à 104 °F (5 °C à 40 °C).

La batterie chauffe pendant le fonctionnement de l'outil électrique. Si vous raccordez une batterie chaude au chargeur, il sera peut-être nécessaire de la laisser refroidir avant que la charge commence. Le processus de charge commence seulement une fois que la batterie a suffisamment refroidi.

Le temps de charge dépend de plusieurs facteurs, notamment l'état de la batterie et de la température ambiante. Pour une liste complète des temps de charge approximatifs, voir www.stihl.com/charging-times.

Pour charger une batterie AR :



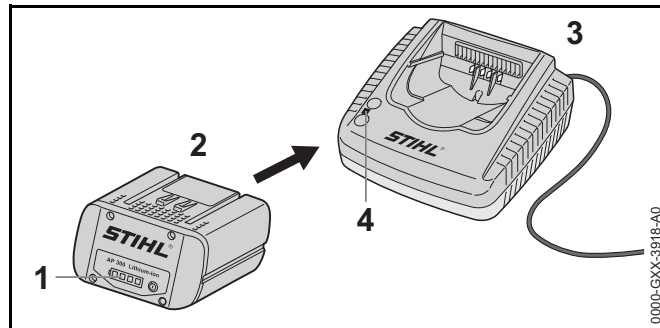
- ▶ Enfoncez la fiche du cordon de raccordement (1) dans la prise (2) de l'adaptateur AP (3) jusqu'en butée.
- ▶ Enfoncez l'adaptateur AP dans le chargeur (5) jusqu'en butée.
Lorsque la batterie est chargée, la DEL sur le **chargeur** (4) s'allume en vert.

Les DEL sur la **batterie AR** s'allument en vert et indiquent l'état de charge.

Lorsque les DEL sur la batterie s'éteignent, le processus de charge est terminé et le chargeur s'arrête de lui-même. L'adaptateur AP peut être retiré du chargeur.

- ▶ Débranchez le cordon d'alimentation de la prise électrique lorsque le chargeur n'est pas utilisé pendant de longues périodes.
- ▶ Chargez uniquement les batteries en sac à dos STIHL AR avec des chargeurs originaux de la série STIHL AL 300 ou AL 500.

Pour charger une batterie AP :



- ▶ Enfoncez la batterie (2) dans le chargeur (3) jusqu'en butée.
Lorsque la batterie est en charge, la DEL sur le **chargeur** s'allume en vert.

Les DEL (1) de la **batterie AP** s'allument en vert et indiquent l'état de charge.

Lorsque les DEL sur la batterie s'éteignent, le processus de charge est terminé et le chargeur s'arrête de lui-même. La batterie AP peut être retirée du chargeur.

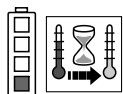
- ▶ Débranchez le cordon d'alimentation de la prise électrique lorsque le chargeur n'est pas utilisé.
- ▶ Chargez uniquement les batteries série STIHL série AP avec des chargeurs originaux de la série STIHL AL 101, AL 300 ou AL 500.

12 DEL de diagnostic et signaux sonores

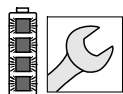
12.1 Batterie STIHL AP

12.1.1 État de la batterie

L'état de la batterie est indiqué par quatre DEL. Ces DEL peuvent être allumées ou clignoter en vert ou en rouge.



Si une DEL qui reste continuellement allumée en rouge : la batterie est trop chaude ou trop froide. Laissez la batterie se réchauffer ou refroidir progressivement à une température ambiante d'environ 50 °F à 68 °F (10 °C à 20 °C).



Si les quatre DEL clignotent en rouge : La batterie est défectueuse et doit être remplacée. N'essayez pas de charger, d'utiliser ou d'entreposer la batterie.

12.1.2 État de l'outil électrique

Les mêmes DEL sur la batterie indiqueront l'état de l'outil électrique.

Si trois DEL restent continuellement allumées en rouge : l'outil électrique est trop chaud. Laissez refroidir le moteur.

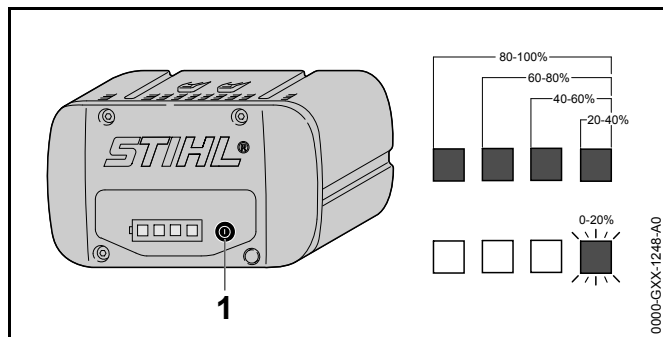
Si trois DEL clignotent lorsque vous actionnez la gâchette : l'outil électrique présente un dysfonctionnement électrique. N'utilisez pas l'outil électrique. Faites-la vérifier par un distributeur agréé STIHL avant de l'utiliser ou de l'entreposer.

Pour les informations de dépannage, 24.

12.1.3 État de charge

Les DEL sur la batterie indiquent également l'état de charge de cette dernière.

Pour déterminer l'état de charge de la batterie :



- Appuyez sur le bouton (1) sur la batterie. Les DEL sur la batterie s'allumeront ou clignoteront en vert pendant 5 secondes environ et indiqueront ainsi l'état de charge (voir l'illustration).

Par exemple :

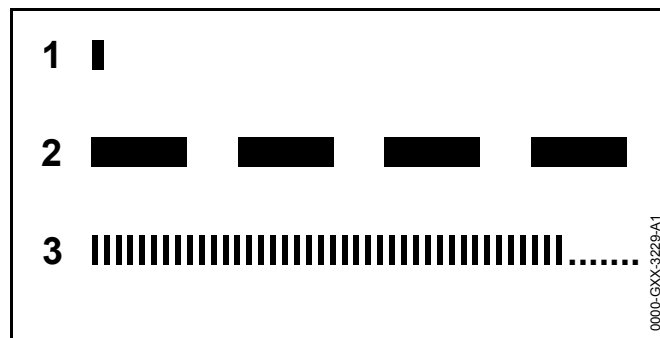
Si quatre DEL vertes s'allument en continu : pleine charge.

Si une DEL verte clignote : il reste moins de 20 % de charge.

12.2 Batterie en sac à dos STIHL AR

12.2.1 État de la batterie

L'état de la batterie est indiqué par six DEL et un signal sonore.



1 Un bip court

Le signal acoustique fonctionne comme il se doit.

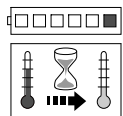
2 Quatre ou six (AR L) bips longs

La charge de la batterie est faible. Rechargez la batterie.

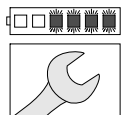
3 Succession rapide de bips courts

Il y a un dysfonctionnement de la batterie. Le signal s'arrête automatiquement après quelques secondes. N'essayez pas de charger, d'utiliser ou d'entreposer la batterie. Remplacez la batterie.

Ces DEL peuvent être allumées ou clignoter en vert ou en rouge.



Si une DEL qui reste continuellement allumée en rouge : la batterie est trop chaude ou trop froide. Laissez la batterie se réchauffer ou refroidir progressivement à une température ambiante d'environ 50 °F à 68 °F (10 °C à 20 °C).



Si les quatre DEL latérales clignotent en rouge et qu'une succession rapide de plusieurs bips sonores courts est émise : la batterie est défectueuse et doit être remplacée. N'essayez pas de charger, d'utiliser ou d'entreposer la batterie.

- Gardez à l'esprit que votre capacité à entendre le signal sonore peut être réduite lorsque vous portez une protection auditive.

12.2.2 État de l'outil électrique

Lorsque la batterie est raccordée à l'outil électrique, les mêmes DEL sur la batterie indiqueront l'état de l'outil électrique.

Si trois DEL restent continuellement allumées en rouge : l'outil électrique est trop chaud. Laissez refroidir le moteur.

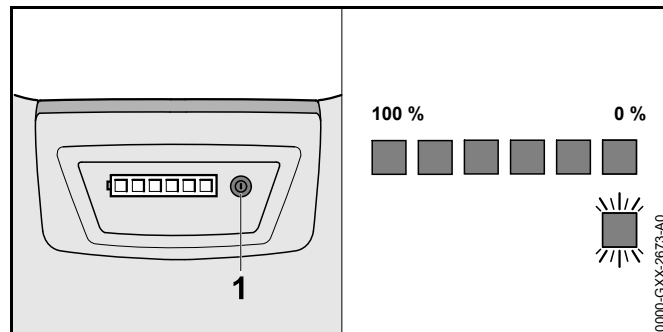
Si trois DEL clignotent lorsque vous actionnez la gâchette : l'outil électrique présente un dysfonctionnement électrique. N'utilisez pas l'outil électrique. Faites-la vérifier par un distributeur agréé STIHL avant de l'utiliser ou de l'entreposer.

Pour les informations de dépannage, 24.

12.2.3 État de charge

Les DEL et les signaux sonores sur la batterie indiquent également l'état de charge de celle-ci.

Pour déterminer l'état de charge de la batterie :



- Appuyez sur le bouton (1) sur la batterie en sac à dos.

Un bip sonore court unique sera émis. Les DEL sur la batterie s'allumeront ou clignoteront en vert pendant 5 secondes environ et indiqueront ainsi l'état de charge (voir l'illustration).

Par exemple :

Si six DEL vertes s'allument en continu : pleine charge.

Si une DEL verte clignote et quatre bips longs sont émis : il reste moins de 20 % de charge.

13 Batterie en sac à dos STIHL AR

13.1 Positionnement et réglage du cordon de raccordement

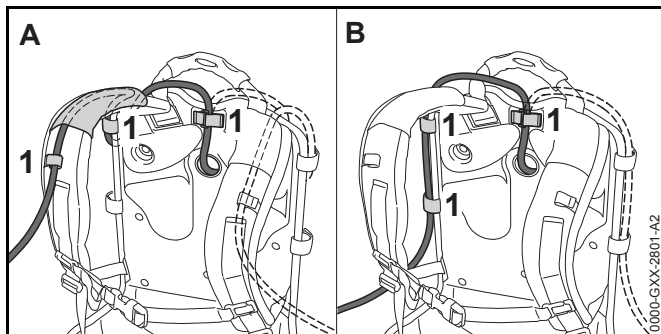
AVERTISSEMENT

Pour réduire le risque de blessures par trébuchement ou perte de contrôle de l'outil électrique, fixez toujours le cordon de raccordement à l'aide des guides du sac à dos et des attaches à crochet et à œillet comme décrit ci-dessous. Positionnez et fixez le cordon de raccordement de façon à ce qu'il n'interfère pas avec la bonne technique de travail ou votre capacité à garder le contrôle de l'outil électrique.

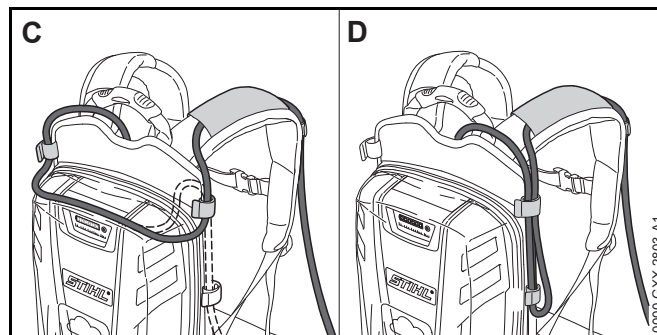
⚠ AVERTISSEMENT

Arrangez le cordon de raccordement de manière appropriée pour l'empêcher d'entrer en contact avec l'outil de coupe/de travail ou d'être saisi par d'autres objets, ce qui risquerait de vous faire perdre l'équilibre ou le contrôle de votre outil électrique, avec pour conséquence des blessures graves et de sérieux dommages matériels.

Le cordon de raccordement peut être fixé dans différentes positions et réglé pour s'adapter à la hauteur et la portée de l'opérateur.



Le cordon de raccordement peut être posé à travers le guide sur la sangle d'épaule (illustration A) ou le long de la plaque arrière (illustration B). Fixez le cordon de raccordement au cadre du sac à dos avec les fixations à velcro (1). Fixez toujours le cordon de raccordement à l'aide du guide ou des fermetures à crochet et à œillet sur le côté du corps sur lequel l'outil électrique est maintenu et contrôlé. Ne laissez pas le cordon de raccordement osciller le long de votre corps ni pendre sur votre côté.



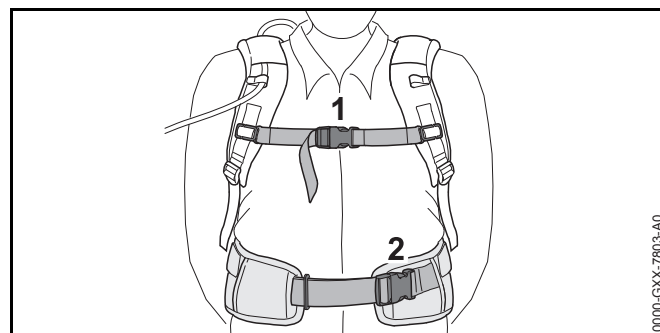
Vous pouvez ajuster la longueur du cordon de raccordement en faisant une boucle autour du sommet (illustration C) ou du côté (illustration D) de la batterie dorsale avec les fermetures à crochet et à œillet.

13.2 Enfiler le harnais

⚠ AVERTISSEMENT

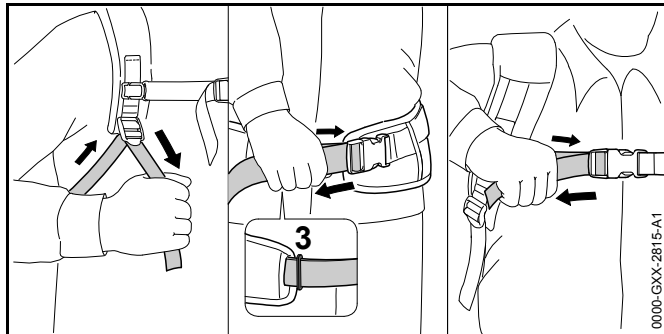
Pour réduire le risque de blessure, l'opérateur doit être en mesure de retirer la batterie en sac à dos rapidement en cas d'urgence. En situation d'urgence, ouvrez et retirez rapidement la ceinture et la sangle de poitrine avant de laisser chuter la batterie au sol.

Pour garantir un ajustement adéquat :



- ▶ Mettez la batterie dorsale sur votre dos.
- ▶ Serrez et réglez la ceinture (2) de manière à ce qu'elle repose confortablement mais fermement sur vos hanches.

- ▶ Attachez la sangle pectorale (1) et réglez-la de manière à ce qu'elle s'adapte confortablement mais solidement à votre poitrine.



- ▶ Réglez les sangles du harnais de manière à ce que le rembourrage dorsal repose fermement et de manière stable sur votre dos.
- ▶ Enfilez l'extrémité de la ceinture à travers la boucle (3).
- ▶ Pour retirer le harnais, ouvrez les attaches à fermeture rapide sur la ceinture et la sangle de poitrine, puis desserrez les sangles du harnais en soulevant les éléments de réglage coulissants.

Pour contribuer à réduire le risque de blessure en situation d'urgence, entraînez-vous à ouvrir rapidement les attaches sur la ceinture et la sangle de poitrine, à desserrer les bretelles et à retirer la batterie.

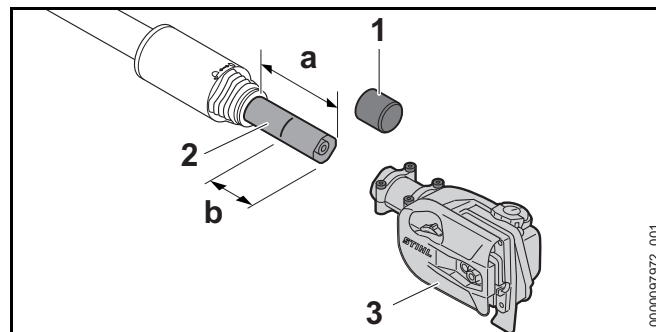
AVIS

Pour éviter tout dommage, déposez la batterie sur le sol en douceur lorsque vous vous entraînez. Ne laissez pas la batterie chuter au sol et ne la jetez pas.

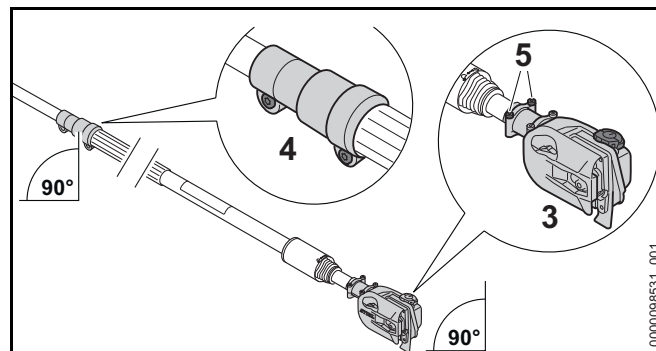
14 Assemblage de la perche élagueuse

14.1 Montage de la boîte de transmission

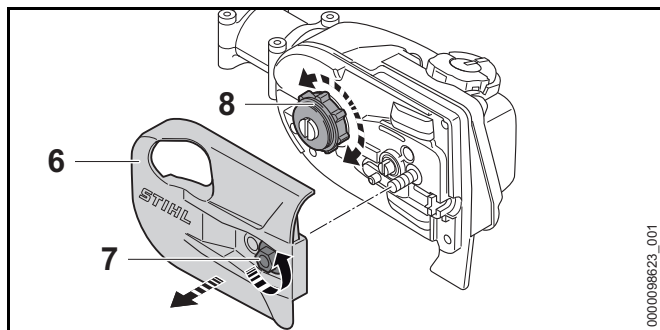
- ▶ Coupez la perche élagueuse, 16.2.
- ▶ Retirez la batterie, 15.2.



- ▶ Retirez le bouchon (1) de l'extrémité carrée du tube d'entraînement (2).
- ▶ Ajustez la longueur du tube d'entraînement à $a = 3,9$ in. (10 cm), 18.1.
- ▶ Marquez le tube d'entraînement à $b = 2,4$ in. (6 cm).
- ▶ Poussez la boîte de transmission sur le tube d'entraînement jusqu'à la marque b.



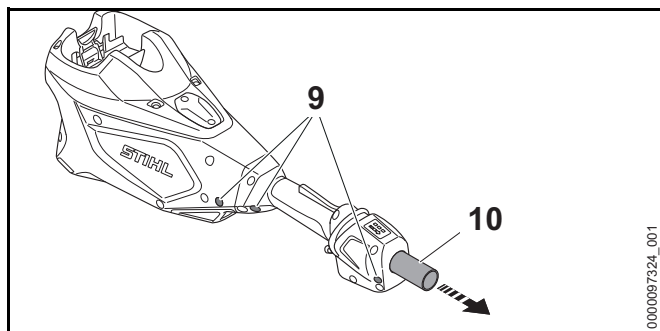
- ▶ Alignez la douille de serrage (4) et la boîte de transmission (3) comme indiqué. Assurez-vous que les vis de la douille de serrage se trouvent sur la face inférieure du tube d'entraînement et que le bouchon d'huile de la boîte de transmission est tourné vers le haut.
- ▶ Serrez les vis (5).



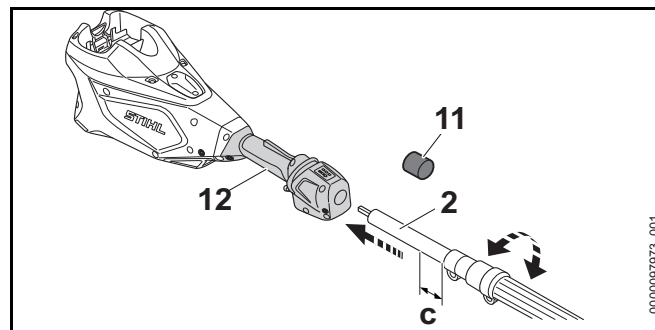
- ▶ Si la boîte de transmission ne peut pas être poussée sur le tube d'entraînement jusqu'à la marque b :
- ▶ Retirez le couvercle du pignon à chaîne (6) en tournant l'écrou (7) dans le sens inverse des aiguilles d'une montre.
- ▶ Tournez le pignon à chaîne (8) jusqu'à ce que vous puissiez pousser la boîte de transmission jusqu'à la marque b sur le tube d'entraînement.
- ▶ Remplacez le couvercle du pignon à chaîne et fixez l'écrou après avoir monté votre guide et votre chaîne, 14.6.1.

14.2 Montage du carter du moteur

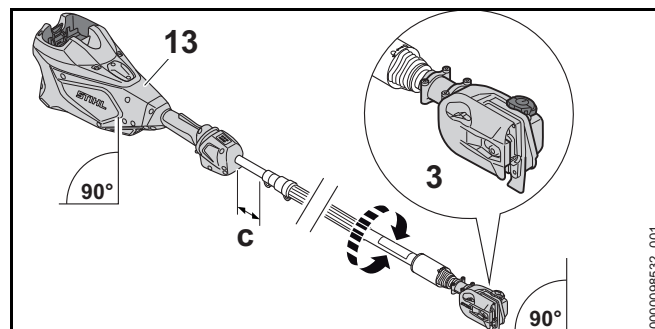
- ▶ Coupez la perche élagueuse, 16.2.
- ▶ Retirez la batterie, 15.2.



- ▶ Desserrez les vis (9).
- ▶ Retirez le tube de protection (10).



- ▶ Retirez le bouchon (11) de l'extrémité ronde du tube d'entraînement (2).
- ▶ Faites tourner le tube d'entraînement jusqu'à ce qu'il puisse être inséré dans l'ouverture de la poignée de commande (12). Cela peut nécessiter de faire tourner l'arbre d'entraînement d'avant en arrière jusqu'à ce que les deux s'alignent.
- ▶ Poussez-le en direction de la poignée de commande jusqu'à ce que $c = 0,8 \text{ in. (2 cm)}$.



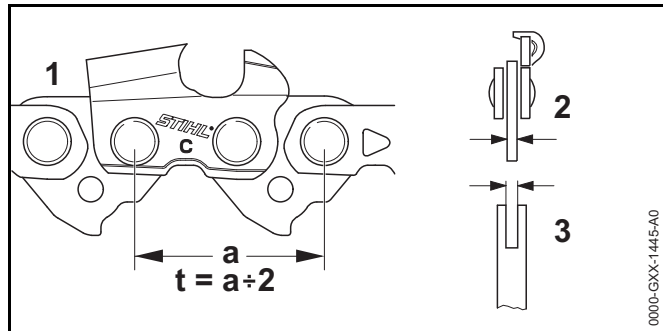
- ▶ Alignez le carter du moteur (13) et la boîte de transmission (3) comme indiqué. Assurez-vous que l'ouverture de la batterie et le bouchon d'huile sont tournés vers le haut.
- ▶ Serrez les vis (9).

14.3 Outil de coupe

⚠ AVERTISSEMENT

Si les composants utilisés ne sont pas assortis, l'outil de coupe sera endommagé de manière irréversible après une courte période de fonctionnement, et la chaîne pourrait dérailler, entraînant des blessures graves ou mortelles.

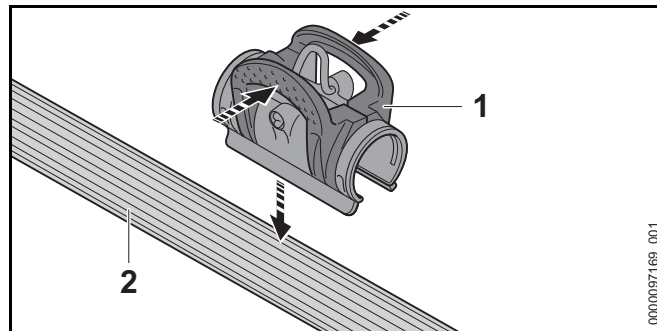
Un outil de coupe se compose de la chaîne, du guide-chaîne et du pignon.



- Le pas (t) de la chaîne (1) doit correspondre au pas du pignon.
- Le calibre des maillons-guides (2) de la chaîne doit correspondre à la largeur de la rainure du guide-chaîne (3).

14.4 Montage du clip d'harnais

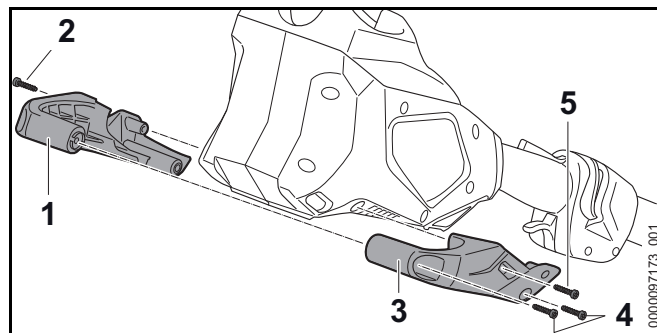
- ▶ Coupez la perche élagueuse, 16.2.
- ▶ Retirez la batterie, 15.2.



- ▶ Pressez le clip d'harnais (1) et placez-le sur la poignée avant (2).

14.5 Montage du soutien à la machine

- ▶ Coupez la perche élagueuse, 16.2.
- ▶ Retirez la batterie, 15.2.





- ▶ Positionnez la moitié gauche du soutien à la machine (1) contre le côté du carter du moteur.
- ▶ Insérez la vis (2).
- ▶ Positionnez la moitié droite du soutien à la machine (3) contre le côté du carter du moteur.
- ▶ Insérez la vis (5).
- ▶ Insérez et serrez les vis (4).
- ▶ Serrez les vis (2) et (5).



14.6 Montage et démontage du guide-chaîne et de la chaîne

14.6.1 Montage du guide-chaîne et la chaîne



⚠ AVERTISSEMENT

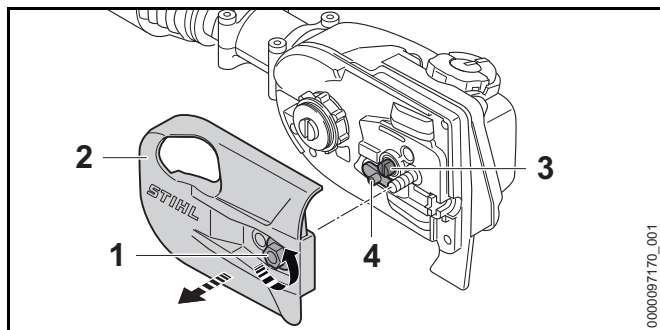
Assurez-vous que la batterie est retirée avant de commencer le montage. Ne faites jamais fonctionner votre perche élagueuse sans un guide-chaîne et une chaîne correctement montés,  6.5. Utilisez uniquement les combinaisons de guide-chaîne et de chaîne expressément recommandées ou approuvées par STIHL,  6.4.

⚠ AVERTISSEMENT

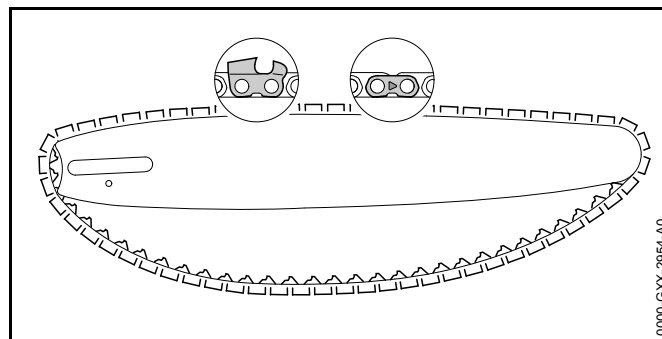
La chaîne comporte de nombreuses gouges tranchantes. Si elles entrent en contact avec votre chair, elles vous couperont même si la chaîne est immobile,  6.4. Portez toujours des gants de travail robustes lors du montage ou de toute autre manipulation de la chaîne,  6.3.

Pour monter le guide-chaîne et la chaîne :

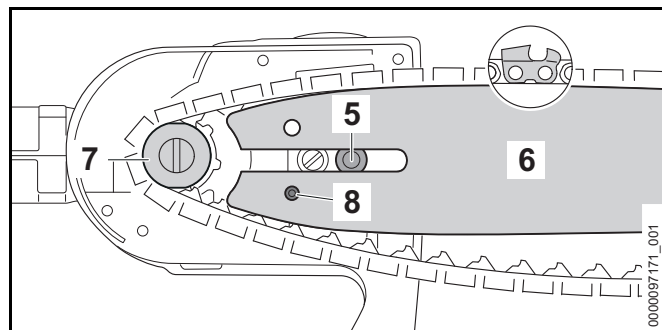
- ▶ Coupez la perche élagueuse,  16.2.
- ▶ Retirez la batterie,  15.2.



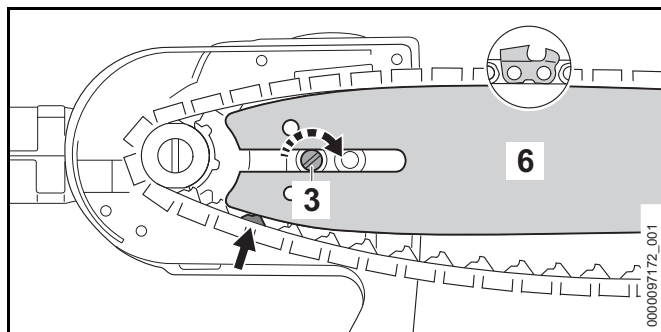
- ▶ Tournez l'écrou (1) dans le sens inverse des aiguilles d'une montre jusqu'à ce que le couvercle du pignon à chaîne (2) puisse être retiré.
- ▶ Retirez le couvercle du pignon à chaîne.
- ▶ Tournez le tendeur de chaîne latéral (3) en sens inverse des aiguilles d'une montre jusqu'à ce que la roue dentée de tension (4) repose à fleur contre le boîtier.



- ▶ Positionnez la chaîne dans la rainure du guide-chaîne, en commençant par la pointe.
- ▶ Veillez à ce que les gouges dans la rainure située sur la face supérieure du guide-chaîne soient orientées vers la pointe du guide. Les chaînes STIHL sont fabriquées avec des flèches sur les attaches pour aider l'opérateur à déterminer le bon sens de la chaîne. Les flèches sur les liens d'attache sur le dessus du guide-chaîne doivent pointer vers la pointe du guide-chaîne.



- ▶ Dirigez la pointe du guide-chaîne à l'écart du pignon à chaîne (7).
- ▶ Placez la chaîne autour du pignon à chaîne.
- ▶ Faites glisser le guide-chaîne (6) sur la vis à collerette (5). La tête de la vis à collerette doit faire saillie dans le trou oblong.
- ▶ Introduisez la goupille du tendeur dans le trou (8) du guide-chaîne.



- ▶ Dirigez les maillons-guides dans la rainure du guide-chaîne (6, flèche) tout en faisant tourner le tendeur de chaîne (3) dans le sens des aiguilles d'une montre jusqu'en butée. Le guide-chaîne et la chaîne doivent être fermement et solidement fixées sur la perche élagueuse.
- ▶ Placez le couvercle du pignon sur la perche élagueuse de manière à ce qu'il soit à fleur du boîtier.
- ▶ Tournez l'écrou dans le sens des aiguilles d'une montre jusqu'à ce que le couvercle du pignon à chaîne soit fermement fixé à la perche élagueuse.

14.6.2 Dépose du guide-chaîne et de la chaîne

- ▶ Dévissez l'écrou qui sécurise le couvercle du pignon à chaîne.
- ▶ Retirez le couvercle du pignon à chaîne.
- ▶ Tournez le tendeur de chaîne en sens inverse des aiguilles d'une montre jusqu'à ce qu'il s'arrête et que la chaîne soit détendue.
- ▶ Retirez le guide-chaîne et la chaîne.

AVIS

Le haut et le bas du guide-chaîne sont symétriques, et le guide peut être monté avec la face imprimée vers le haut ou vers le bas. En retournant le guide-chaîne à chaque fois que la chaîne est aiguisée ou remplacée, vous contribuerez à réduire l'usure inégale et à améliorer sa durée de vie.

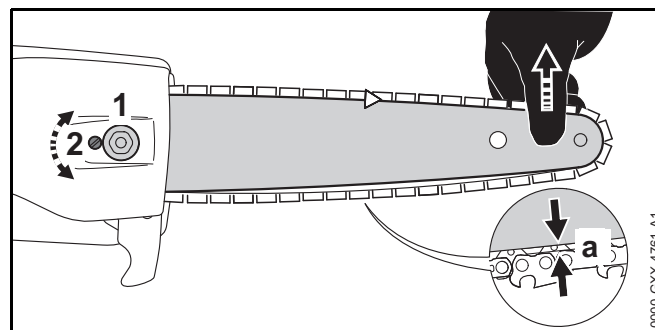
14.7 Tendre la chaîne

⚠ AVERTISSEMENT

Vérifiez régulièrement la tension de la chaîne pour réduire les risques de blessure grave résultant d'un déraillement de la chaîne, 6.5. Aux températures de fonctionnement, la chaîne s'étire et s'affaisse. Une chaîne neuve a tendance à s'étirer plus qu'une chaîne ayant déjà servi. Tendez la chaîne de telle sorte que les maillons-guides ne puissent pas sortir de la rainure sur le dessous du guide-chaîne.

Pour bien tendre la chaîne :

- ▶ Coupez la perche élagueuse, 16.2.
- ▶ Retirez la batterie, 15.2.



- ▶ Desserrez l'écrou (1).
- ▶ Levez la pointe du guide-chaîne.
- ▶ Tournez le tendeur de chaîne latéral (2) dans le sens des aiguilles d'une montre pour tendre la chaîne. La chaîne est correctement réglée lorsque la distance entre le dessous du guide-chaîne et la chaîne (a) est dans une plage de 0,04 in. (1 mm) et 0,08 in. (2 mm) et peut encore être tiré facilement à la main le long du guide-chaîne. Portez toujours des gants lorsque vous manipulez la chaîne.
- ▶ Si la chaîne ne peut pas être déplacée le long guide-chaîne, elle est trop serrée.

- Réduisez la tension en tournant le tendeur de chaîne latéral en sens inverse des aiguilles d'une montre jusqu'à ce que la chaîne puisse défiler librement le long du guide-chaîne.
- Assurez-vous que les maillons d'entraînement restent dans la rainure et que la distance entre le dessous du guide-chaîne et la chaîne (a) est dans une plage de 0,04 in. (1 mm) et 0,08 in. (2 mm).
- ▶ Une fois que la chaîne est correctement tendue, soulevez la pointe du guide-chaîne et serrez l'écrou pour fixer le couvercle du pignon à chaîne.
- ▶ Enfin, assurez-vous que la distance a entre le dessous du guide-chaîne et la chaîne (a) est dans une plage de 0,04 in. (1 mm) et 0,08 in. (2 mm).

AVIS

Relâchez toujours la tension de la chaîne après avoir terminé le travail. La chaîne se contracte lorsqu'elle refroidit. Si elle n'est pas détendue, elle peut endommager l'arbre d'entraînement et les roulements. Retendez correctement la chaîne avant d'utiliser à nouveau la perche élagueuse.

14.8 Lubrification de la chaîne coupante et du guide-chaîne

14.8.1 Lubrifiant de guide-chaîne et de chaîne

AVERTISSEMENT

Ne faites jamais fonctionner votre perche élagueuse sans lubrification du guide et de la chaîne. Si la chaîne tourne à sec, l'outil de coupe subira des dommages irréparables dans un délai très court. Une chaîne endommagée peut se briser, ce qui entraîne des blessures graves, voire mortelles. Vérifiez toujours la lubrification de chaîne et le niveau d'huile dans le réservoir avant de commencer le travail et périodiquement en cours de travail.

AVERTISSEMENT

N'utilisez jamais d'huile usagée pour lubrifier votre chaîne coupante et votre guide-chaîne. Un contact répété avec de l'huile usagée peut provoquer un cancer de la peau. De plus, l'huile usagée est nocive pour l'environnement.

L'huile de lubrification du guide et de la chaîne lubrifie et refroidit la chaîne coupante en rotation. La durée de vie de la chaîne et du guide-chaîne dépend de la qualité du lubrifiant. Il est donc essentiel d'utiliser uniquement un lubrifiant de chaîne spécialement formulé à cet effet.

- ▶ Pour une lubrification automatique et fiable de la chaîne et du guide-chaîne, utilisez uniquement un lubrifiant pour chaîne et guide de qualité et respectueux de l'environnement. STIHL recommande l'utilisation de STIHL BioPlus, un produit rapidement biodégradable.

AVIS

L'huile de chaîne biodégradable doit être résistante au vieillissement, sinon elle se transformera rapidement en résine. Cela se traduit par des dépôts durs qui sont difficiles à enlever, surtout dans les zones de l'entraînement de la chaîne et de la chaîne elle-même. Cela peut même provoquer un grippage de la pompe à huile.



AVIS

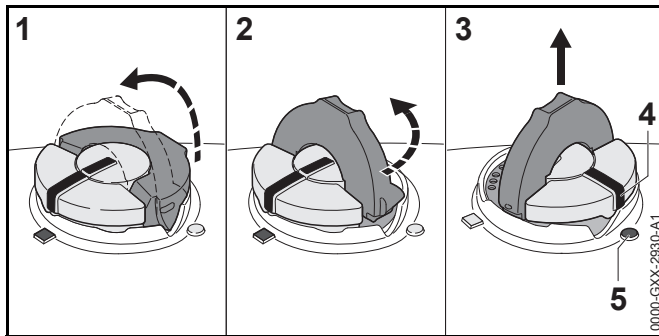
L'huile usagée en possède pas les propriétés lubrifiantes nécessaires et n'est pas adaptée pour la lubrification de la chaîne.

14.8.2 Remplissage du réservoir à huile de chaîne

Ouverture et remplissage du réservoir à huile de chaîne

Pour remplir le réservoir à huile de chaîne :

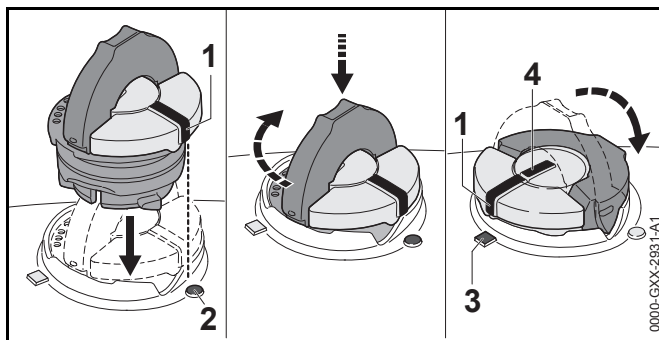
- ▶ Coupez la perche élagueuse,  16.2.
- ▶ Retirez la batterie,  15.2.
- ▶ Positionner la perche élagueuse sur une surface plane avec le bouchon de remplissage d'huile vers le haut.
- ▶ Nettoyez la zone entourant le bouchon de remplissage d'huile avec un chiffon légèrement humide.



- ▶ Relevez l'étrier et enfoncez fermement le bouchon (1).
- ▶ Tournez lentement le bouchon en sens inverse des aiguilles d'une montre (2) jusqu'à la position ouverte (3). En position ouverte, le repère de positionnement extérieur (4) sur le bouchon sera aligné avec le symbole (5) sur le corps du réservoir à huile de chaîne
- ▶ Retirez le bouchon et remplissez le réservoir avec de l'huile de guide-chaîne et de chaîne.
- ▶ Faites attention à ne pas renverser de l'huile de guide et de chaîne pendant le remplissage du réservoir.
- ▶ Ne remplissez pas trop le réservoir. Laissez environ 0,5 in. (13 mm) volume d'air.

Fermeture

Pour fermer le réservoir :



- ▶ Levez l'étrier qui se trouve sur le bouchon en position verticale à un angle de 90°. Insérez le bouchon dans l'ouverture du réservoir à huile de chaîne avec le repère de positionnement extérieur (1) aligné sur le symbole d'ouverture (2) sur le corps du réservoir à huile de chaîne.
- ▶ Enfoncez fermement le bouchon à l'aide de l'étrier tout en le tournant dans le sens des aiguilles d'une montre jusqu'en position fermée (environ 1/4 de tour). En position fermée, les repères de positionnement intérieur (4) et extérieur (1) seront alignés avec le symbole de fermeture (3) sur le corps du réservoir à huile de chaîne.
- ▶ Pliez l'étrier à fleur du dessus du bouchon et vérifiez l'étanchéité.
- ▶ Répétez les étapes ci-dessus si l'étrier ne repose pas complètement à fleur avec le bouchon ou si le cliquet sur l'étrier ne s'adapte pas dans l'encoche correspondante de l'ouverture du réservoir, ou encore si le bouchon ne repose pas parfaitement.

15 Insertion et retrait de la batterie

15.1 Insertion de la batterie

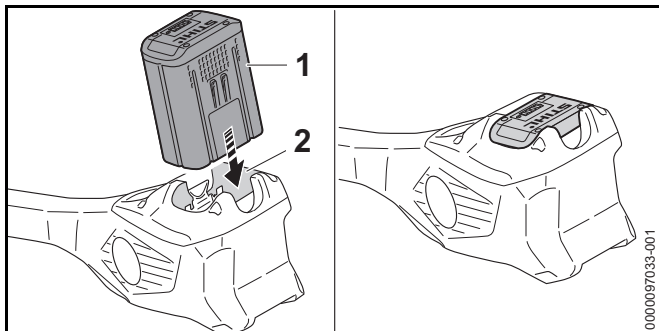
⚠ AVERTISSEMENT

N'utilisez jamais une batterie défectueuse, endommagée, fissurée, fuyante ou déformée, 8. Utilisez et stockez la batterie uniquement dans une plage de températures ambiantes de 14 °F à 122 °F (- 10 °C à 50 °C), 8.

⚠ AVERTISSEMENT

Pour réduire tout risque d'activation involontaire, n'entreposez jamais la batterie dans la perche élagueuse, 9.1.

Pour insérer la batterie :



- ▶ Placez la perche élagueuse sur une surface plane.
- ▶ Insérez la batterie (1) dans son compartiment (2) jusqu'en butée.
La batterie est correctement insérée lorsque vous entendez un clic audible. Dans cette position, il existe un contact électrique entre la batterie et la perche élagueuse.

Comme une batterie neuve n'est pas entièrement chargée, STIHL recommande de charger complètement la batterie avant de l'utiliser pour la première fois, 11.

15.2 Retrait de la batterie

AVERTISSEMENT

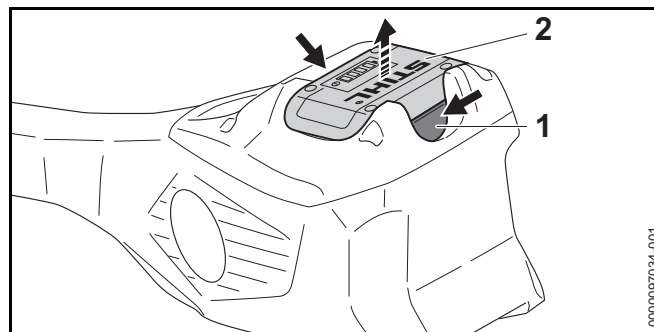
Pour réduire tout risque de blessure grave résultant d'une activation involontaire, retirez toujours la batterie avant tout assemblage, transport, réglage, nettoyage, réparation, entretien ou avant d'entreposer la perche élagueuse et à tout moment lorsqu'il n'est pas utilisé.

AVERTISSEMENT

Soyez prudent en éjectant la batterie pour éviter qu'elle ne chute et provoque des lésions corporelles ou des dommages matériels.

Pour retirer la batterie :

- ▶ Relâchez la gâchette.
- ▶ Placez la perche élagueuse sur une surface plane.



- ▶ Comprimez les leviers de verrouillage (1) pour éjecter la batterie (2) de son logement.

AVIS

Évitez d'exposer la batterie à une chaleur excessive ou les périodes prolongées d'exposition directe au soleil. L'utilisation ou l'entreposage hors de la plage de températures ambiante recommandée peut réduire les performances et/ou la durée de vie de la batterie.

16 Activation et désactivation de la perche élagueuse

16.1 Mise en marche

AVERTISSEMENT

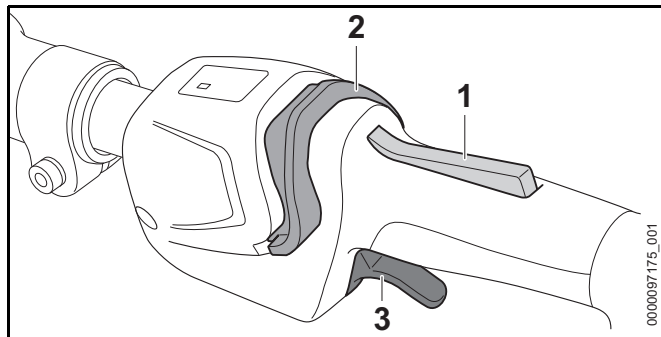
N'utilisez jamais votre perche élagueuse s'il est modifié, endommagé, mal réglé ou mal entretenu ou s'il n'est pas assemblé entièrement ou de manière sécurisée ou encore s'il ne fonctionne pas correctement, 6.4. Pour réduire tout risque de blessure, portez toujours des vêtements adaptés et une combinaison de protection, y compris une protection oculaire appropriée, lorsque vous utilisez votre perche élagueuse, 6.3.

Avant la mise en marche :

- ▶ Assurez-vous que les autres personnes ne se trouvent pas dans la zone de travail générale.
- ▶ Assurez-vous d'avoir une position stable et sécurisée.

- ▶ Tenez-vous droit.
- ▶ Tenez et actionnez toujours la perche élagueuse avec une main fermement sur la poignée de commande et l'autre main fermement sur la poignée tubulaire ou la poignée avant.

Pour mettre la perche élagueuse en marche :



- ▶ Appuyez et maintenez le bouton de blocage de la gâchette (1).
- ▶ Tout en maintenant le bouton de blocage de la gâchette, poussez le verrou de retenue (2) vers l'avant avec le pouce et relâchez-le. DEL s'allume.
- ▶ Tout en maintenant le bouton de blocage de la gâchette et le contrôle de présence de l'opérateur, enfoncez la gâchette (3) avec votre index. La chaîne coupante commence à tourner.

Vous pouvez également déverrouiller l'interrupteur à gâchette en poussant le loquet de retenue vers l'avant et en appuyant sur le verrouillage de l'interrupteur à gâchette dans les 5 secondes (tant que la DEL clignote). Appuyez sur l'interrupteur à gâchette avec votre index pour démarrer la chaîne de la tronçonneuse.

Le moteur ne se met en marche que si le bouton de blocage de la gâchette est enfoncé, si le verrou de retenue a été poussé vers l'avant et si la gâchette a été enfoncée.

Si le bouton de déclenchement et le bouton de blocage de la gâchette sont relâchés, les DEL resteront clignotantes pendant environ 5 secondes. Tant que la DEL clignote, la perche élagueuse peut à nouveau être mis en marche sans avoir à pousser le verrou de retenue vers l'avant.

Plus le bouton de déclenchement est serré, plus la chaîne coupante fera tourner.

16.2 Mise à l'arrêt

⚠ AVERTISSEMENT

La chaîne coupante continuera de se tourner pendant une courte période après avoir relâché la gâchette. Pour éviter des blessures graves ou mortelles, évitez tout contact avec la chaîne coupante en mouvement. Pour réduire le risque de blessures corporelles dues à une activation involontaire ou à une utilisation non autorisée, éteignez le moteur, assurez-vous que les lames de coupe se sont arrêtées et retirez la batterie avant de transporter la perche élagueuse ou de le poser.

Pour éteindre la perche élagueuse :

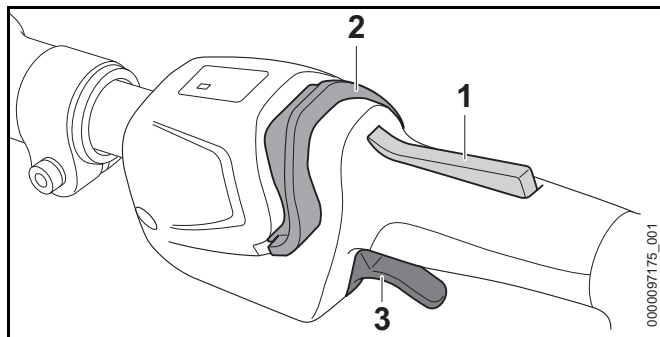
- ▶ Relâchez la gâchette et le bouton de blocage de la gâchette pour que la gâchette soit rappelée en position verrouillée. En position verrouillée, l'activation de la gâchette est bloquée par le bouton de blocage de la gâchette. L'activation de la perche élagueuse est également bloquée électroniquement par le verrou de retenue une fois que la DEL cesse de clignoter (après environ 1 seconde).

La chaîne coupante continuera à se déplacer pendant une courte période après le relâchement de la gâchette. Veillez à éviter tout contact après avoir relâché la gâchette et lors du réglage de la perche élagueuse.

17 Vérification de la perche élagueuse


17.1 Vérification des commandes

Avant de commencer le travail, vérifiez que le bouton de blocage de la gâchette (1), le verrou de retenue (2) et la gâchette (3) ne sont pas endommagés et fonctionnent correctement.



Bouton de blocage de la gâchette (1), verrou de retenue (2) et gâchette (3)

⚠ AVERTISSEMENT

Pour réduire le risque de coupures graves ou mortelles à l'opérateur tenez les mains, les pieds et les autres parties du corps éloignés de la chaîne. Ne touchez par la chaîne coupante lorsque la batterie est insérée. Ne touchez jamais une chaîne en mouvement avec votre main ou toute partie de votre corps,  6.5.2. Gardez les spectateurs à au moins 50 t. (15 m) hors de la zone lorsque vous vérifiez les commandes.

Pour vérifier les commandes :

- ▶ Retirez la batterie.
- ▶ Essayez d'enfoncer la gâchette. S'il est possible d'appuyer sur la gâchette sans déverrouiller au préalable le verrou de retenue en le poussant vers l'avant, apportez la perche élagueuse à un distributeur agréé STIHL pour le faire réparer avant de l'utiliser.
- ▶ Appuyez sur le bouton de blocage de la gâchette et poussez le verrou de retenue vers l'avant. Assurez-vous qu'ils bougent librement et qu'ils se remettent en place lorsqu'il sont relâchés.
- ▶ Insérez la batterie.
- ▶ Tenez la perche élagueuse fermement d'une main sur la poignée de commande et de l'autre main sur la poignée avant ou la poignée tubulaire. Appuyez et maintenez enfoncé le bouton de blocage de la gâchette, poussez le verrou de retenue vers l'avant avec le pouce et pressez la gâchette avec l'index. La perche élagueuse devrait démarrer. Si ce n'est pas le cas, apportez la perche élagueuse chez un distributeur agréé STIHL pour le faire réparer avant de l'utiliser.
- ▶ Relâchez la gâchette. La perche élagueuse doit s'éteindre.



Si la perche élagueuse ne s'éteint pas après que vous avez relâché la gâchette, retirez la batterie et apportez la perche élagueuse à un distributeur agréé STIHL pour le faire réparer avant de l'utiliser.

17.2 Test de la lubrification de la chaîne

⚠ AVERTISSEMENT

Ne faites jamais fonctionner votre perche élagueuse sans lubrification du guide et de la chaîne. Si la chaîne tourne à sec, l'outil de coupe subira des dommages irréparables dans un délai très court. Une chaîne endommagée peut se briser, ce qui entraîne des blessures graves, voire mortelles. Vérifiez toujours la lubrification de chaîne et le niveau d'huile dans le réservoir avant de commencer le travail et périodiquement en cours de travail.

Pour vérifier que l'huile de la chaîne circule bien :

- ▶ Insérez la batterie,  15.1.
- ▶ Pointez le guide-chaîne vers une surface brillante.
- ▶ Allumez la perche élagueuse,  16.1.
La chaîne devrait projeter un peu d'huile.

Si l'huile de lubrification de la chaîne n'est pas visible, vérifiez le niveau et ajoutez de l'huile dans le réservoir si nécessaire.

- ▶ Effectuez un nouveau test de la lubrification de la chaîne.
- ▶ Si l'huile de lubrification de la chaîne n'est toujours pas visible, le mécanisme de lubrification ne fonctionne pas. Faites réparer la perche élagueuse par un distributeur agréé STIHL avant de l'utiliser de nouveau.

18 Pendant l'utilisation



18.1 Ajustement de la longueur du tube d'entraînement

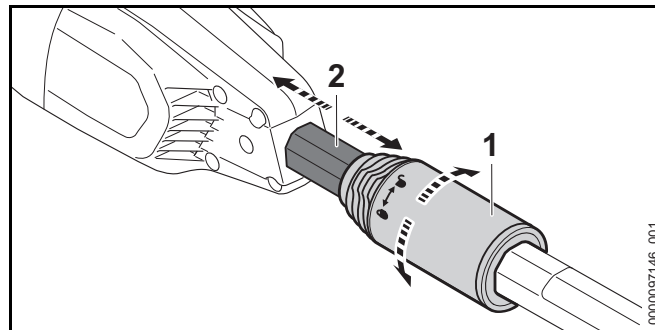
AVERTISSEMENT




Pour réduire le risque de blessures dues à une perte de contrôle, assurez-vous que le tube d'entraînement est correctement réglé et engagé en position verrouillée avant de commencer à travailler.

La longueur du système d'entraînement peut se régler en fonction de la hauteur et la portée des bras de l'utilisateur.



Pour ajuster la longueur du système d'entraînement :

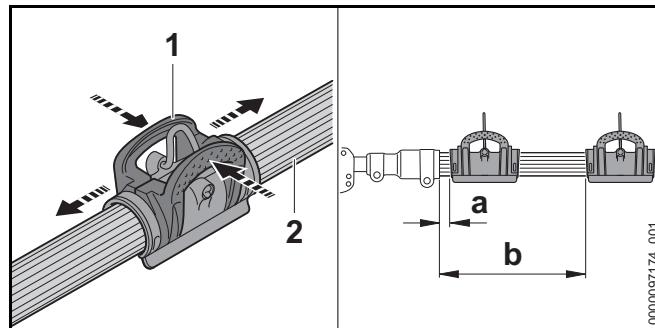
- ▶ Coupez la perche élagueuse,  16.2.
- ▶ Retirez la batterie,  15.2.
- ▶ Tenez le système d'entraînement fermement.



- ▶ Déverrouillez le tube d'entraînement (2) en tournant l'écrou de serrage (1) d'un demi-tour dans la direction .
- ▶ Ajustez la longueur du tube d'entraînement en le faisant glisser dans la position souhaitée.
- ▶ Verrouillez le tube d'entraînement en tournant l'écrou de serrage dans la direction  et en le serrant.
- ▶ Confirmez que le tube d'entraînement est fixé en place.
- ▶ Si le tube d'entraînement peut encore être déplacé : Bloquez le tube d'entraînement en tournant l'écrou de serrage dans la direction  et en le serrant jusqu'à ce que le tube d'entraînement soit fixé en place.

18.2 Aligner le clip d'harnais

- ▶ Coupez la perche élagueuse,  16.2.
- ▶ Retirez la batterie,  15.2.





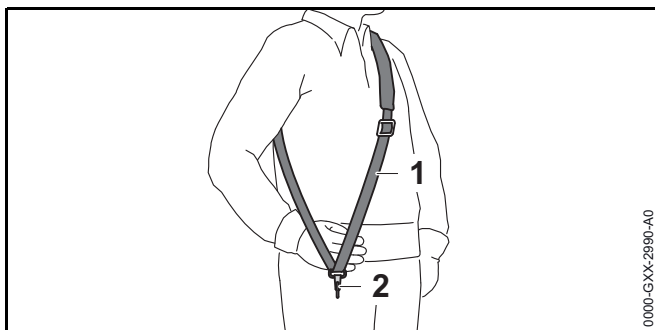
- ▶ Pressez le clip d'harnais (1) et déplacez-le sur le tuyau de la poignée (2) pour obtenir les dimensions suivantes :

- Si le tube d'entraînement est complètement rétracté : a = 6 in. (15 cm).
- Si le tube d'entraînement est complètement sorti : b = 20 in. (50 cm).

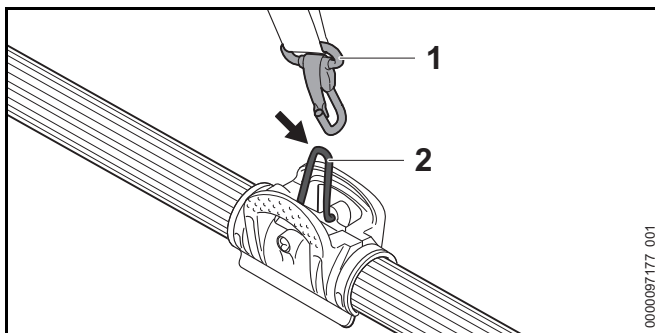
18.3 Mise en place et réglage des bretelles

Pour adapter et ajuster le harnais

- ▶ Coupez la perche élagueuse,  16.2.
- ▶ Retirez la batterie,  15.2.
- ▶ Mettez les bretelles sur votre épaule.



- ▶ Ajustez la longueur des bretelles (1) de sorte que le mousqueton (2) se trouve à environ la largeur d'une main sous le haut de votre hanche.





- ▶ Fixez le mousqueton (1) au clip d'harnais (2) de la perche élagueuse.

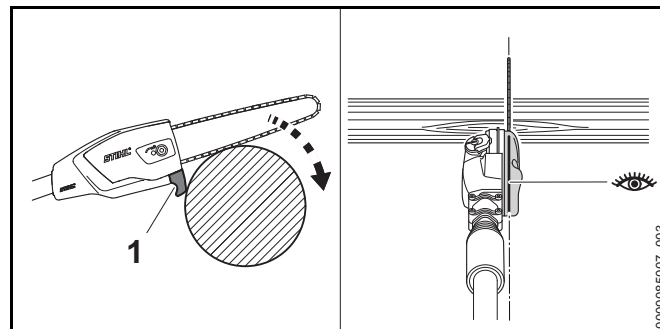
18.4 Ébranchage

AVERTISSEMENT

Pour réduire le risque de blessures graves, voire mortelles, dues à la chute d'objets :

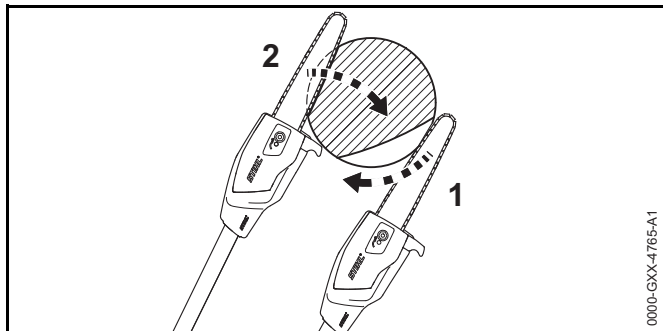
- ▶ Ne coupez pas verticalement au-dessus de votre corps. Tenez l'élagueur à un angle ne dépassant pas 60° par rapport au niveau horizontal. Les objets peuvent tomber dans des directions inattendues. Ne vous tenez pas directement sous la branche qui est coupée  6.5.4.
- ▶ Surveillez les chutes de branches. Dès que la branche coupée commence à tomber, écartez-vous et gardez une distance suffisante,  6.5.4.
- ▶ Pour permettre aux branches de tomber librement, coupez toujours les branches inférieures en premier.

Coupe transversale



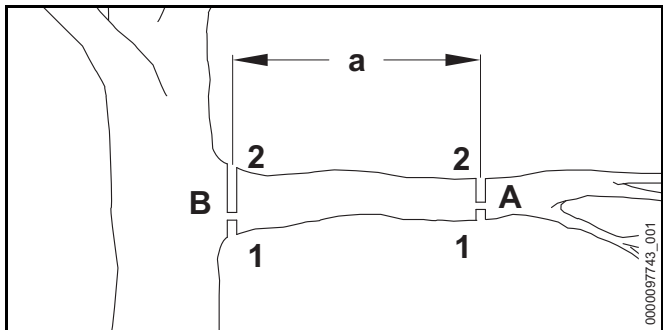
- ▶ Positionner le crochet (1) contre la branche. La ligne d'ébranchage aide l'opérateur à positionner le guide et la chaîne pour la coupe.
- ▶ Coupez la branche à plein régime avec le côté inférieur du guide, en gardant l'extrémité du guide libre de tout autre branche, du sol et de tout matériau feuillu.

Coupe de soulagement



- ▶ Si la branche est sous tension : Faites une coupe de soulagement (1) sur la face inférieure, puis effectuez la coupe transversale (2) du côté de la tension.

Couper des branches épaisses



- ▶ Raccourcissez la branche en effectuant une coupe de soulagement (1) puis une coupe transversale (2) au point de coupe (A) à une distance $a = 8$ in. (20 cm) à partir de l'endroit où la coupe à ras sera faite (B).
- ▶ Effectuez la coupe à ras, en commençant par une coupe de soulagement (1) et en terminant par une coupe transversale (2) au point de coupe (B).

19 Après avoir terminé le travail

19.1 Préparation pour le transport ou l'entreposage

⚠ AVERTISSEMENT

Pour réduire le risque de blessure corporelle due à une activation involontaire ou à une utilisation non autorisée, éteignez la perche élagueuse et retirez la batterie avant de transporter ou de poser la perche élagueuse. Pour réduire le risque de blessures causées par les gouges tranchants de la chaîne, recouvrez toujours le guide-chaîne avec le fourreau de chaîne avant de transporter ou de stocker la perche élagueuse.

Pour préparer la perche élagueuse en vue du transport ou du stockage :

- ▶ Coupez la perche élagueuse, 16.2.
- ▶ Retirez la batterie, 15.2.
- ▶ Ajustez le tube d'entraînement à sa longueur la plus courte, 18.1
- ▶ Détendez la chaîne.
- ▶ Glissez un fourreau de détente de la chaîne sur le guide-chaîne de sorte qu'il recouvre entièrement le guide-chaîne.
- ▶ Si la perche élagueuse ou la batterie devient humide pendant le fonctionnement, laissez-les sécher complètement et séparément avant la charge ou l'entreposage.
- ▶ Avant d'utiliser la perche élagueuse, n'oubliez pas de retendre la chaîne.

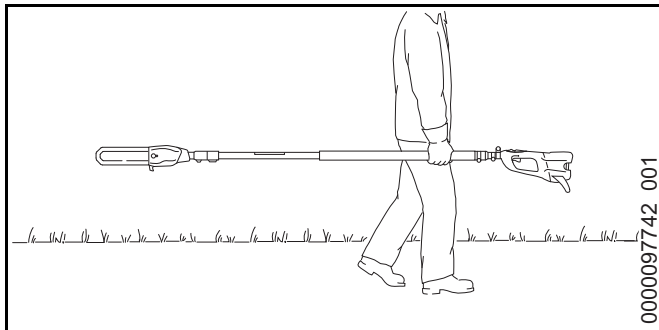
AVIS

La chaîne se contracte lorsqu'elle refroidit. Si vous ne détendez pas la chaîne après la fin des travaux, l'arbre d'entraînement et les roulements risquent d'être endommagés.

20 Transport de la perche élagueuse

20.1 Perche élagueuse

Lors du transport de la perche élagueuse :




- ▶ Glissez un fourreau de détendez la chaîne sur le guide-chaîne de sorte qu'il recouvre entièrement le guide-chaîne.
- ▶ Lorsque vous transportez la perche élagueuse à la main, tenez le tube d'entraînement de manière à équilibrer la perche élagueuse horizontalement. Gardez l'outil de coupe derrière vous.
- ▶ Lorsque vous transportez la perche élagueuse dans un véhicule, couvrez le guide-chaîne avec un fourreau de chaîne. Bloquez et placez la perche élagueuse de manière à éviter qu'il se renverse, subisse un choc ou des dommages.

Votre perche élagueuse est livré avec un fourreau de chaîne qui correspond à l'outil de coupe. Si vous utilisez des guides de différentes longueurs sur la perche élagueuse, la longueur du fourreau de chaîne doit être adaptée au guide pour réduire le risque de blessure. Il devrait couvrir toute la longueur du guide-chaîne.

20.2 Batterie

⚠ AVERTISSEMENT

Pour réduire le risque de court-circuit, qui pourrait entraîner un choc électrique, un incendie ou une explosion, ne transportez jamais la batterie dans un récipient métallique ou à proximité d'objets métalliques (par exemple, trombones, clous, pièces de monnaie, clés),  8.1.

Lors du transport de la batterie :

- ▶ Placez la batterie dans un récipient ou un carton non métallique et protégez-la contre les chocs et les dommages. Ne transportez jamais la batterie dans un conteneur métallique ou autre conteneur pouvant conduire l'électricité, ou à proximité d'objets métalliques (par exemple, trombones, clous, pièces de monnaie, clés).
- ▶ Si vous transportez la batterie dans un véhicule, sécurisez-la ainsi que son conteneur pour éviter tout retournement, impact et dommage.

Les batteries STIHL sont conformes aux exigences énoncées dans le Manuel d'essais et de critères de l'ONU, partie III, sous-section 38.3.

Le transport commercial aérien, maritime et terrestre des piles et batteries au lithium-ion est réglementé. La batterie est classée comme un produit ONU 3480, classe 9, groupe d'emballage II. L'expédition, que ce soit en tant qu'outil complet ou en tant que batterie, nécessite le respect de toutes les réglementations d'expédition applicables. Vérifiez auprès de la compagnie aérienne au sol, du navire, du fret aérien ou des passagers pour déterminer si le transport est interdit ou soumis à des restrictions ou des exemptions avant l'expédition ou le voyage.



Normalement, aucune autre condition ne doit être remplie par l'utilisateur pour transporter les batteries STIHL par route jusqu'au site d'utilisation de l'outil électrique. Vérifiez et respectez toutes les réglementations spéciales qui peuvent s'appliquer à votre situation.

Pour plus d'informations, veuillez visiter www.stihl.ca.



21 Entreposage de la perche élagueuse

21.1 Perche élagueuse

AVERTISSEMENT



Conservez la perche élagueuse dans un endroit sec et sûr, inaccessible aux enfants ou à d'autres utilisateurs non autorisés,  6.4. Ne stockez jamais la batterie dans la perche élagueuse ou le chargeur. Un mauvais stockage peut entraîner une utilisation non autorisée et endommager la perche élagueuse,  6.4.

Lorsque vous stockez la perche élagueuse pendant trente jours ou plus :



- ▶ Retirez les copeaux de bois ou les débris du logement de la batterie.
- ▶ Retirez la chaîne et le guide-chaîne.
- ▶ Pulvérisez un solvant de résine, tel que STIHL Resin Remover & Lubricant, sur le guide-chaîne pour le nettoyer.
- ▶ Nettoyez la perche élagueuse,  22.1.
- ▶ Remplissez le réservoir à huile de chaîne,  14.8.2.
- ▶ Rangez la perche élagueuse à l'intérieur dans un endroit sec et sûr, hors de portée des enfants et des autres personnes non autorisées.

21.2 Batterie

AVERTISSEMENT

Pour réduire tout risque de court-circuit, ce qui pourrait entraîner une décharge électrique, un incendie ou une explosion, n'entrez jamais la batterie dans un récipient en métal ou à proximité d'objets métalliques,  8. Si la batterie est humide ou mouillée, laissez-la sécher entièrement avant l'entreposage,  8.

AVERTISSEMENT

Des températures extrêmes peuvent endommager la batterie et peuvent également amener la batterie à produire de la chaleur, se rompre, fuir, prendre feu ou exploser, entraînant des blessures graves ou mortelles ou des dommages matériels. Utilisez et stockez la batterie uniquement dans une plage de températures ambiantes de 14 °F à 122 °F (- 10 °C à 50 °C),  8. N'entrez jamais la batterie en plein soleil ou à l'intérieur d'un véhicule par temps chaud,  8.


Entreposage correct de la batterie :

- ▶ Retirez la batterie de la scie de la perche élagueuse ou du chargeur.
- ▶ Assurez-vous que la batterie est sèche et entreposez-la à l'intérieur dans un endroit sec et protégé.
- ▶ Tenez-le hors de portée des enfants et des personnes non autorisées.
- ▶ Protégez la batterie contre l'humidité et les agents corrosifs tels que les produits chimiques de jardins et des sels de déneigement.
- ▶ Protégez la batterie contre une exposition à des liquides conducteurs tels que l'eau salée.
- ▶ Pour une durée de vie maximale de la batterie, entreposez la batterie à une température ambiante comprise entre 50 °F et 68 °F (10 °C et 20 °C) avec une charge comprise entre 40 % et 60 % (2 DEL vertes).
- ▶ Ne laissez pas les batteries de rechange inutilisées. Utilisez-les en alternance.

22 Nettoyage

22.1 Nettoyage de la perche élagueuse et de la batterie

AVERTISSEMENT

Pour réduire tout risque de blessure résultant d'une activation involontaire, retirez la batterie avant d'effectuer toute opération de nettoyage,  9. Il convient que les


utilisateurs de cette perche élagueuse effectuent uniquement les opérations de nettoyage décrites dans le présent manuel.

Pour nettoyer la perche élagueuse et la batterie :

- ▶ Nettoyez la perche élagueuse avec un chiffon légèrement humide. N'utilisez pas de détergents ou de solvants. Ils peuvent endommager les composants en polymère.
- ▶ Retirez le couvercle de pignon et nettoyez la zone autour du pignon avec un chiffon légèrement humide ou un solvant de résine, tel que STIHL Resin Remover & Lubricant.
- ▶ N'utilisez pas de nettoyeur à pression ou ne vaporisez pas d'eau ou d'autres liquides pour nettoyer la perche élagueuse.
- ▶ Gardez le boîtier et les guides de la batterie exempts de corps étrangers et nettoyez si nécessaire avec un pinceau doux ou un chiffon doux et sec.

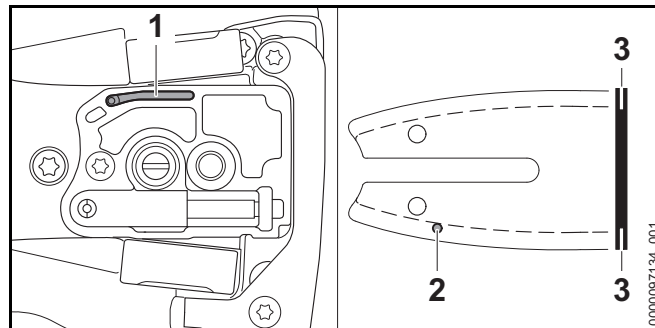
22.2 Nettoyage du guide-chaîne et de la chaîne coupante

AVERTISSEMENT

Pour réduire tout risque de blessure résultant d'une activation involontaire, retirez la batterie avant d'effectuer toute opération de nettoyage,  9. Il convient que les utilisateurs de cette perche élagueuse effectuent uniquement les opérations de nettoyage décrites dans le présent manuel. Pour éviter les blessures, portez toujours des gants de travail résistants lorsque vous manipulez la chaîne.

Pour un nettoyage correct du guide-chaîne et de la chaîne :



- ▶ Retirez le guide-chaîne et la chaîne,  14.6.2.

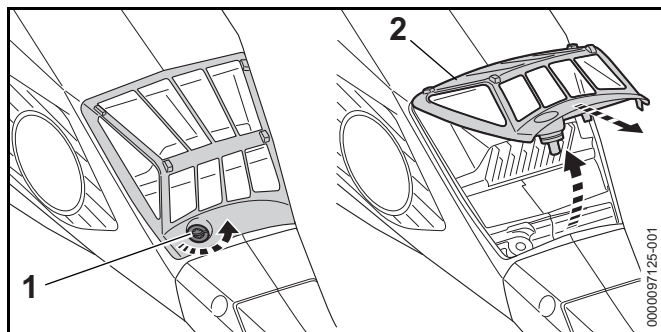


- ▶ Nettoyez la conduite de sortie d'huile (1), l'orifice d'entrée d'huile (2) et la rainure (3) avec un pinceau, un chiffon légèrement humide ou un solvant de résine, tel que STIHL Resin Remover & Lubricant. N'utilisez pas de détergents.
- ▶ Nettoyez la chaîne avec un pinceau, un chiffon légèrement humide ou un solvant de résine. N'utilisez pas de détergents.
- ▶ N'utilisez pas de nettoyeur haute pression pour nettoyer le guide-chaîne ou la chaîne et ne pulvérisez pas d'eau ou d'autres liquides sur eux.

22.3 Nettoyage du filtre à air

Pour nettoyer le filtre à air :

- ▶ Éteignez l'outil électrique,  16.2.
- ▶ Retirez la batterie,  15.2.




- ▶ Nettoyez la zone autour du filtre à air (2) avec un chiffon humide ou un pinceau doux.
- ▶ Tournez la vis (1) dans le sens inverse des aiguilles d'une montre jusqu'à ce que le filtre à air puisse être retiré.
- ▶ Retirez le filtre à air en le soulevant et en le retirant.
- ▶ Rincez l'extérieur du filtre à air à l'eau courante pour éliminer les saletés grossières. Ne pulvérisez jamais le filtre à air avec un nettoyeur haute pression.
- ▶ Si le filtre à air est endommagé, remplacez-le.
- ▶ Laissez sécher le filtre à air.
- ▶ Une fois que le filtre à air est parfaitement sec, remontez-le à la main.
- ▶ Serrez les vis.

23 Inspection et maintenance

23.1 Contrôle et maintien de la perche élagueuse

⚠ AVERTISSEMENT

Pour réduire tout risque de blessure résultant d'une activation involontaire, retirez la batterie avant d'inspecter la perche élagueuse ou d'effectuer toute opération de maintenance,  9. Effectuez uniquement les opérations de maintenance décrites dans le présent manuel. Aucune réparation ne peut être effectuée par l'utilisateur. STIHL recommande de faire effectuer les opérations de réparation par un distributeur agréé STIHL.

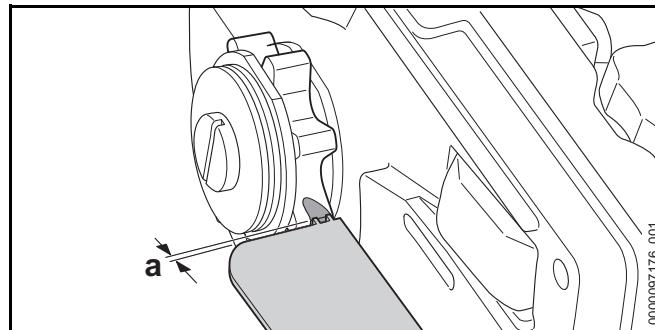
Le bon entretien de la perche élagueuse comprend les activités suivantes :

- ▶ Nettoyage du filtre à air toutes les 50 heures de fonctionnement.
- ▶ Inspection périodique du pignon et remplacement de celui-ci si nécessaire par un distributeur agréé STIHL.
- ▶ Inspection du guide-chaîne pour vérifier la profondeur et l'écartement de la rainure, et remplacement du guide-chaîne s'il présente des signes d'usure excessive ou des dommages.
- ▶ Affûtage périodique de la chaîne, maintien des guides de limitation de profondeur à la hauteur appropriée et remplacement de la chaîne coupante lorsque les repères d'usure correspondants l'indiquent ou lorsque la chaîne est endommagée ou présente des signes d'usure excessive.
- ▶ Si les étiquettes de sécurité sont usées, manquantes ou endommagées, elles ont été enlevées par un distributeur agréé par STIHL.

Si vous faites une demande de garantie pour un composant qui n'a pas été correctement entretenu ou réparé, la couverture peut être refusée.

23.2 Contrôle et maintien du pignon à chaîne

- ▶ Arrêtez immédiatement la perche élagueuse et retirez la batterie.
- ▶ Retirez le couvercle de pignon à chaîne, la chaîne coupante et le guide-chaîne.




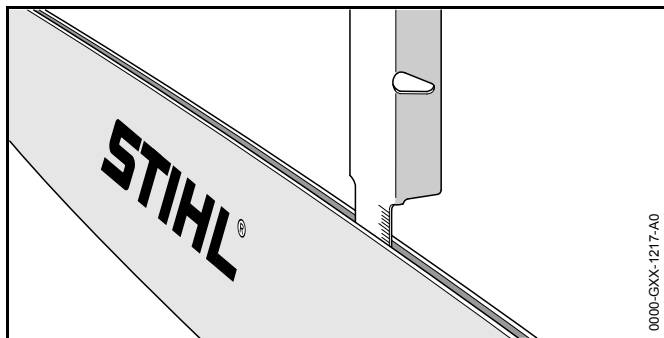
- ▶ Vérifiez si le couvercle de pignon présente des traces d'usure.
- ▶ Si les traces d'usure sont plus profondes que $a = 0,020$ in. (0,5 mm), faites remplacer le pignon à chaîne.


STIHL recommande d'utiliser des pignons STIHL authentiques.

L'alternance entre deux chaînes permet de réduire l'usure du pignon.

23.3 Contrôle et maintien du guide-chaîne

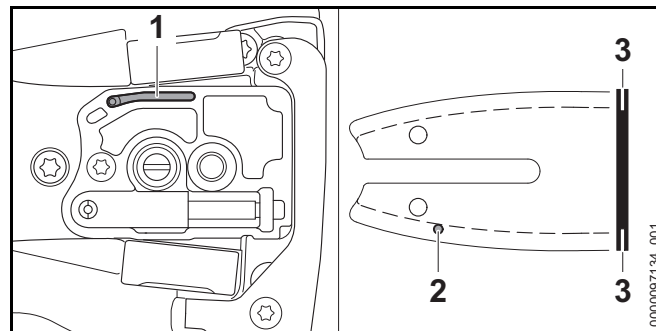
- ▶ Arrêtez immédiatement la perche élagueuse et retirez la batterie.
- ▶ Retirez le guide-chaîne et la chaîne,  14.6.2.



- ▶ Mesurez la profondeur de la rainure du guide-chaîne dans la zone qui présente l'usure la plus importante en utilisant l'outil de mesure sur la jauge à lime (accessoire spécial, non inclus).
- ▶ Remplacez le guide-chaîne si la profondeur mesurée est inférieure aux profondeurs minimales requises indiquées dans  25.3.
- ▶ Vérifiez l'écartement de la rainure du guide-chaîne avec l'outil de mesure sur la jauge à lime.
- ▶ Remplacez le guide-chaîne si la rainure a rétréci, s'écarte ou présente d'autres signes d'usure importante ou des dommages.

Pour la maintenance du guide-chaîne :

- ▶ Retournez le guide-chaîne après chaque affûtage et à chaque fois que la chaîne est remplacée. Cela contribuera à réduire une usure inégale. Il n'y a pas de "haut" ou de "bas" du guide. Il peut être utilisé dans l'une ou l'autre orientation, même si l'impression sur le guide peut être à l'envers.



- ▶ Nettoyez la conduite de sortie d'huile (1), l'orifice d'entrée d'huile (2) et la rainure (3) avec un pinceau, un chiffon légèrement humide ou un solvant de résine, tel que STIHL Resin Remover & Lubricant. N'utilisez pas de détergents.
- ▶ Éliminez régulièrement les éventuelles bavures métalliques qui se développent le long du guide-chaîne avec une lime plate ou un outil de dressage pour guide-chaîne STIHL.
- ▶ Remplacez le guide-chaîne s'il est impossible de limer les bavures ou si le guide-chaîne est endommagé.

23.4 Inspection, maintenance et affûtage de la chaîne coupante

AVERTISSEMENT

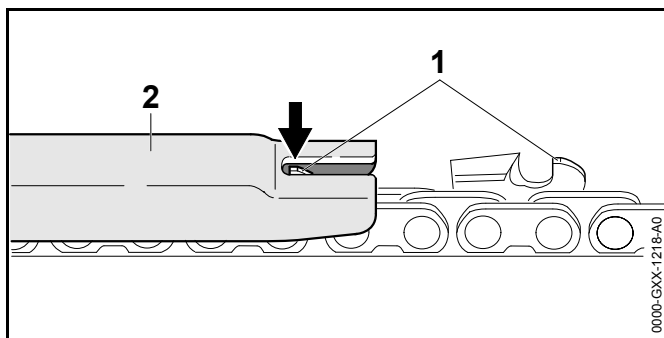
Une chaîne mal affûtée peut accroître le risque de rebond et d'autres forces réactives, pouvant entraîner des blessures graves ou la mort. Par exemple, des jauges de profondeur trop basses ou des gouges mal limées peuvent accroître la tendance au rebond de la perche élagueuse et augmenter les forces de rebond, ce qui rend le contrôle de la perche

élagueuse plus difficile. Lorsque vous contrôlez ou affûtez la chaîne, revoyez et respectez toujours les angles d'affûtage et les dimensions recommandés par STIHL.

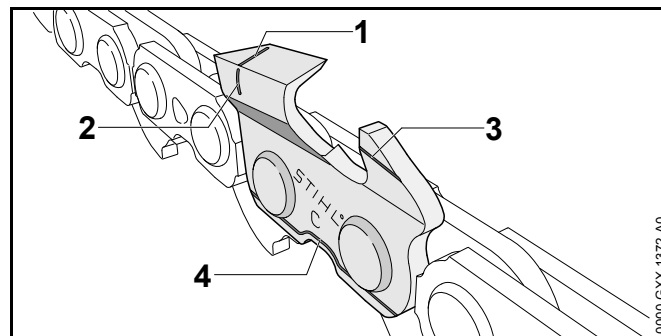
! AVERTISSEMENT

N'utilisez jamais une chaîne émoussée ou endommagée. Cela conduit à un effort physique accru, une charge de vibration accrue, des résultats de coupe insatisfaisants et une usure accrue. Si les copeaux résultant de la coupe sont fins et ressemblent plus à de la sciure qu'à des copeaux de bois, la chaîne est probable émoussée.

- ▶ Arrêtez immédiatement la perche élagueuse et retirez la batterie.



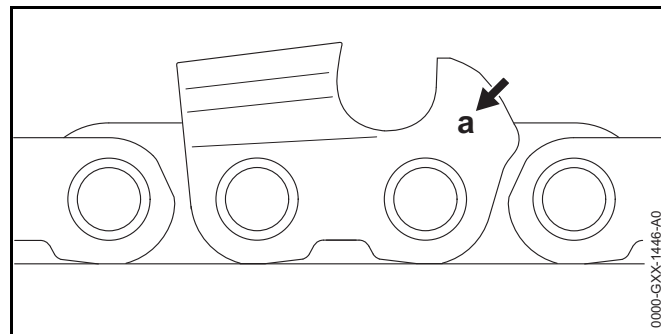
- ▶ Vérifiez la hauteur de la jauge de profondeur (1) avec une jauge à lime STIHL (2) correspondant au pas de la chaîne.
- ▶ Si la jauge de profondeur fait saillie au-dessus de la jauge à lime, limez la jauge de profondeur à la hauteur appropriée.
- ▶ Travaillez avec prudence. Limer les jauges de profondeur à un niveau trop bas augmentera les forces de réaction. Si les jauges de profondeur ont été limées trop bas, faites affûter ou remplacer la chaîne par un concessionnaire STIHL agréé.



La chaîne STIHL est fabriquée avec des repères d'usure pour aider l'opérateur à identifier une usure excessive. Les repères d'usure décrits ci-dessus (1 - 4) doivent rester visibles.

- ▶ Remplacez la chaîne si des repères d'usure ne sont plus visibles.
- ▶ Vérifiez l'angle d'affûtage des gouges de 30° avec une jauge à lime STIHL correspondant au pas de la chaîne.
- ▶ Si l'angle d'affûtage est incorrect, limez les gouges à un angle de 30°.
- ▶ S'il est impossible d'obtenir l'angle correct ou si vous pensez ne pas l'avoir atteint, faites affûter votre chaîne par un distributeur agréé STIHL.

Une chaîne mal limée peut être très dangereuse. Cela peut accroître le potentiel de forces réactives, y compris le rebond, et aussi augmenter l'amplitude de ces forces réactives.



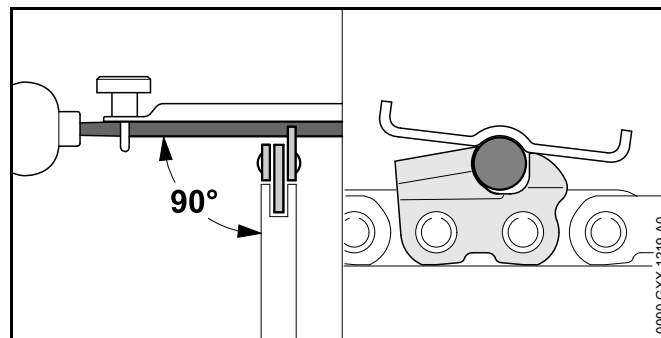
Le marquage du pas de la chaîne (a) est gravé dans la zone de la jauge de profondeur de chaque gouge.

Les marquages ont la signification suivante :

Marquage (a)	Pas de chaîne coupante
1	1/4"
2	.325"
3	3/8"
4	.404"
6	3/8" PICCO
7	1/4" PICCO

Pour affûter la chaîne :

- ▶ Arrêtez immédiatement la perche élagueuse et retirez la batterie.
- ▶ Sélectionnez une lime pour chaîne dont le diamètre correspond au pas de la chaîne.
Les autres limes ne sont pas adaptées et peuvent donner lieu à une chaîne mal limée, ce qui peut augmenter le potentiel et la force de rebond et d'autres forces réactives.
- ▶ Si nécessaire, serrez le guide-chaîne pour faciliter le limage.
- ▶ Utilisez un porte-lime.
Les porte-limes comportent des marquages qui indiquent l'angle d'affûtage correct.
- ▶ Limez toutes les gouges avec un angle identique. Deux ou trois coups de lime sont généralement suffisants pour un réaffûtage simple. Enlevez un peu de matière à chaque coup.
Un affûtage à des angles ou des hauteurs variables ou non constants peut être très dangereux et peut entraîner un défilement ou irrégulier de la chaîne et une usure accrue, même jusqu'au point de rupture de la chaîne. Cela accroît également la tendance au rebond et sa force ainsi qu'à d'autres forces réactives.



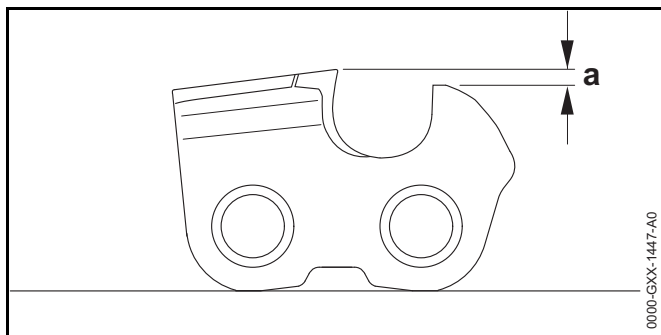
- ▶ Guidez la lime horizontalement à angle droit de la surface latérale du guide-chaîne conformément à l'angle spécifié.
- ▶ Limez uniquement de l'intérieur de la gouge vers l'extérieur.
- ▶ Levez la lime lors du retour. La lime affûte uniquement lors de la course vers l'avant.
- ▶ Ne limez pas les liens d'attache ou les maillons-guides.
- ▶ Retournez périodiquement la lime pour éviter une usure inégale.
- ▶ Pour supprimer une bavure de limage de la dent de la gouge, faites passer la gouge à travers un morceau de bois dur.
- ▶ Vérifiez l'angle d'affûtage avec une jauge à lime.

Toutes les gouges doivent être de longueur égale et limées jusqu'à la longueur de la gouge la plus courte. Le cas contraire, la tendance au rebond et sa force ainsi qu'à d'autres forces réactives sera accrues.

STIHL recommande de faire affûter votre chaîne par un distributeur agréé STIHL afin de réduire le risque de blessures graves ou mortelles résultant d'une chaîne mal affûtée.

⚠ AVERTISSEMENT

Des jauges de profondeur qui sont trop basses augmentent le potentiel et la force de rebond d'autres forces réactives, ce qui accroît le risque de blessures graves. Maintenez toujours la bonne distance entre la jauge de profondeur et le sommet de la gouge (a).

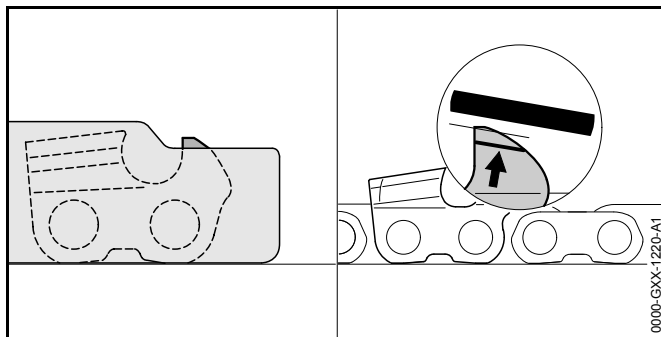


La jauge de profondeur détermine la profondeur à laquelle la gouge pénètre dans le bois et ainsi l'épaisseur des copeaux.

Une jauge de profondeur trop basse augmente la tendance au rebond de la perche élagueuse et peut augmenter les forces de rebond.

Une jauge de profondeur qui est trop haute empêchera la gouge d'entrer dans la pièce et entraînera de mauvaises performances de coupe. Maintenez toujours la distance requise entre la jauge de profondeur et le tranchant (a),

25.4.










Pour abaisser correctement la jauge de profondeur :

- ▶ Posez la jauge à lime appropriée pour le pas de la chaîne sur la chaîne et pressez-la contre la gouge à vérifier. Si la jauge de profondeur dépasse la jauge de limage, la jauge de profondeur doit être limée.
- ▶ Limez la jauge de profondeur de sorte qu'elle soit à fleur du dessus de la jauge à lime.
- ▶ Ensuite, retirez la jauge à lime et limez le bord d'attaque de la jauge de profondeur parallèle au repère d'entretien. Veillez ici à ne pas abaisser encore plus le point le plus haut de la jauge de profondeur.
- ▶ Placez la jauge à lime sur la chaîne pour vérifier la hauteur de la jauge. Le point le plus haut de la jauge de profondeur doit être à fleur du dessus de la jauge à lime.
- ▶ Après l'affûtage, nettoyez soigneusement la chaîne en éliminant toutes les poussières de limage ou de meulage.
- ▶ Huilez soigneusement la chaîne.




24 Guide de dépannage

24.1 Perche élagueuse et batterie

Retirez toujours la batterie avant d'effectuer une quelconque opération d'inspection, de nettoyage ou de maintenance.

Situation	DEL sur la batterie	Cause possible	Solution
La perche élagueuse ne démarre pas à la mise en marche.		Absence de contact électrique entre la perche élagueuse et la batterie.	<ul style="list-style-type: none"> ▶ Retirez la batterie,  15.2. ▶ Contrôlez visuellement les contacts électriques dans le logement de la batterie et sur la batterie elle-même. ▶ Insérez de nouveau la batterie,  15.1.
	1 DEL clignote en vert. STIHL AR seulement : En outre, quatre longs bips sont émis.	La charge de la batterie est insuffisante.	<ul style="list-style-type: none"> ▶ Chargez la batterie,  11.
	1 DEL s'allume en rouge.	Batterie trop chaude / trop froide.	<ul style="list-style-type: none"> ▶ Laissez la batterie se réchauffer ou se refroidir progressivement à des températures ambiantes d'environ 50 °F à 68 °F (10 °C à 20 °C).
	4 DEL clignent en rouge. STIHL AR uniquement: En outre, une succession rapide de bips courts est émise.	Défaillance de la batterie.	<ul style="list-style-type: none"> ▶ Retirez la batterie et réinsérez-la,  15. ▶ Allumez la perche élagueuse,  16.1. ▶ Si les DEL continuent de clignoter, n'essayez pas d'utiliser. La batterie est défectueuse et doit être remplacée.
	3 DEL s'allument en rouge.	Perche élagueuse trop chaude.	<ul style="list-style-type: none"> ▶ Laissez refroidir la perche élagueuse.
	3 DEL clignent en rouge.	Défaillance de la perche élagueuse.	<ul style="list-style-type: none"> ▶ Retirez la batterie et réinsérez-la,  15 ▶ Allumez la perche élagueuse,  16.1. ▶ Si les DEL clignent toujours, n'essayez pas d'utiliser. La perche élagueuse est défectueuse et doit être contrôlée par un distributeur agréé.

Retirez toujours la batterie avant d'effectuer une quelconque opération d'inspection, de nettoyage ou de maintenance.

Situation	DEL sur la batterie	Cause possible	Solution
La perche élagueuse s'arrête pendant le fonctionnement.	1 DEL s'allume en rouge.	Batterie trop chaude / trop froide.	<ul style="list-style-type: none"> ▶ Retirez la batterie,  15.2. ▶ Laissez la perche élagueuse se réchauffer ou se refroidir progressivement à des températures ambiantes d'environ 50 °F à 68 °F (10 °C à 20 °C).
	3 DEL s'allument en rouge.	Perche élagueuse trop chaude.	
Le temps de fonctionnement est trop court.		La batterie n'est pas entièrement chargée.	▶ Chargez la batterie,  11.
		La durée de vie utile de la batterie est atteinte ou dépassée.	▶ Faites vérifier la batterie par un distributeur agréé STIHL.
Le bois fume ou sent le brûlé pendant la coupe.		La chaîne est émoussée ou mal affûtée.	▶ Affûtez correctement la chaîne,  23.4.
		La technique de travail est inadaptée ou la perche élagueuse est mal employée.	▶ Obtenez des instructions relatives à la technique de travail correcte.
		Manque d'huile de guide-chaîne et de chaîne.	▶ Faites vérifier le mécanisme de lubrification de la chaîne par un distributeur agréé STIHL.
La batterie ne se charge pas, même si DEL sur le chargeur s'allume en vert.	1 DEL s'allume en rouge.	Batterie trop chaude / trop froide.	<ul style="list-style-type: none"> ▶ Laissez la batterie se réchauffer ou se refroidir progressivement à des températures ambiantes d'environ 50 °F à 68 °F (10 °C à 20 °C). ▶ N'utilisez le chargeur que dans des pièces fermées et sèches, à des températures ambiantes de 41 à 104 °F (5 à 40 °C).

25 Spécifications

25.1 STIHL HTA 135

- Types de batterie homologués :
 - STIHL série AP
 - STIHL série AR
- Poids sans la batterie : 14,6 lbs. (6,6 kg)
- Volume maximal du réservoir de l'huile : 3,6 oz. (0,22 l)

Pour des informations techniques concernant les batteries STIHL série AP et AR, consultez les informations sur le produit qui accompagnent votre batterie.

Pour des informations techniques concernant les chargeurs STIHL AL 101, 300 et 500, consultez les informations produit fournies avec votre chargeur.

Les batteries, chargeurs et autres accessoires vendus séparément. Contactez votre distributeur agréé STIHL agréé pour connaître les prix et la disponibilité.

25.2 Pignons

Les pignons suivants sont disponibles pour ce modèle de perche élagueuse :

- 7 dents pour pas 3/8" PICCO

25.3 Profondeur de rainure minimale des guide-chaînes

La profondeur de rainure minimale d'un guide-chaîne dépend du pas de ce dernier.

- Profondeur minimale de la rainure pour les guide-chaînes à pas de 3/8" PICCO : 0,197 in. (5 mm)

25.4 Réglage de la jauge de profondeur

Le réglage de la jauge de profondeur dépend du pas de la chaîne.

- Réglage de la jauge de profondeur pour les chaînes à pas de 3/8" PICCO : 0,026 in. (0,65 mm)

25.5 Symboles sur la perche élagueuse

Symbole	Explication
V	Volt
Hz	Hertz
A	Ampère
Ah	Ampère-heure
W	Watt
Wh	Watt-heure
AC	Courant alternatif
IPX4	Protection contre la pulvérisation ou les éclaboussures d'eau provenant de toutes les directions.



Symbole de puissance sur le verrou de retenue.



Engagez l'écrou de serrage



Débloquez l'écrou de serrage



Réservoir à huile de chaîne




Sens de rotation de la chaîne coupante



Tournez dans le sens des aiguilles d'une montre pour tendre la chaîne coupante



Les produits STIHL ne doivent pas être jetés avec les ordures ménagères, mais uniquement mis au rebut conformément aux lois et réglementations locales, nationales et fédérales et selon les indications figurant dans le présent manuel,  29.

 Courant continu



Nombre de cellules et énergie stockée selon les spécifications du fabricant des cellules. L'énergie utilisable sera moindre.



Le scellé de la RBRC indique que le recyclage de la batterie a été prépayé par STIHL.



Lisez le manuel

25.6 Améliorations technologiques

STIHL a pour philosophie l'amélioration constante de tous ses produits. Il en résulte occasionnellement des modifications et des améliorations technologiques. Par conséquent, certains changements, modifications et améliorations peuvent ne pas être couverts dans le présent manuel. Si les caractéristiques de fonctionnement ou l'aspect de votre appareil diffèrent de celles décrites dans le présent manuel, veuillez contacter le distributeur STIHL dans votre région pour obtenir de l'assistance.

25.7 Déclaration de conformité de l'appareil et du chargeur avec la directive CEM (sur la compatibilité électromagnétique)

Cet appareil numérique de classe B répond à toutes les exigences de la réglementation canadienne ICES-003.

26 Combinaisons de guide-chaînes et de chaînes coupantes

26.1 STIHL HTA 135

Pas	Calibre de maillon d'entraînement/largeur de rainure	Longueur	Guide-chaîne	Nombre de dents sur le nez du pignon	Maillon-guide nombre	Chaîne coupante
3/8" P	0,043 in. (1,1 mm)	10 in. (25 cm)	Rollomatic E / Light 04	7	39	61 PMM3 (Type 3610)

Les guides-chaîne énumérés sont des guides-chaîne STIHL à rebond réduit marquées en vert. Les chaînes coupantes mentionnées sont des chaînes STIHL à faible rebond à étiquette verte:

Du fait que de nouvelles combinaisons guide/chaîne peuvent être développées après la publication du présent manuel, adressez-vous à votre revendeur agréé STIHL pour les dernières recommandations de STIHL.

27 Combinaisons de harnais approuvées

27.1 Combinaisons de harnais

AVERTISSEMENT

L'opérateur doit être capable d'enlever le harnais rapidement en cas d'urgence. Pour réduire le risque de blessure en cas d'urgence :

- ▶ Entraînez-vous à retirer et à poser l'outil électrique comme vous le feriez en cas d'urgence. Pour éviter tout dommage, ne jetez pas l'outil électrique au sol lors du travail.
- ▶ N'utilisez qu'une seule des options de harnais autorisées. Ne combinez pas différents harnais ou d'autres combinaisons de harnais lorsque vous utilisez votre outil électrique.

Les harnais suivants sont disponibles pour votre perche élagueuse :



Bretelles



Harnais complet



Ceinture à batterie STIHL avec sac à batterie STIHL AP avec cordon de connexion en combinaison avec bretelles



Ceinture à batterie STIHL avec sac à batterie STIHL AP avec cordon de connexion en combinaison avec harnais d'épaule et protège-hanche



Batterie en sac à dos STIHL AR en combinaison avec protège-hanche




Sac à dos pour batterie STIHL en combinaison avec protège-hanche



Harnais RTS

28 Pièces de rechange et équipement

28.1 Pièces de rechange originales STIHL

STIHL recommande d'utiliser des pièces de rechange originales STIHL. Les pièces STIHL authentiques peuvent être identifiées par le numéro de référence STIHL, le logo **STIHL** et, dans certains cas, par le symbole des pièces STIHL . Sur les petites pièces, seul le symbole peut figurer.

29 Élimination

29.1 Mise au rebut de l'outil électrique

Les produits STIHL ne doivent pas être jetés avec les ordures ménagères ou mis au rebut différemment des indications figurant dans le présent manuel.

- ▶ Amenez l'outil électrique, les accessoires et l'emballage à un centre d'élimination approuvé pour le recyclage respectueux de l'environnement.
- ▶ Contactez votre distributeur agréé STIHL pour obtenir les informations les plus récentes sur l'élimination et le recyclage.

29.2 Recyclage de la batterie

AVERTISSEMENT

Manipulez les batteries déchargées/épuisées avec précaution. Même lorsqu'elles sont supposées déchargées, les batteries au lithium-ion ne peuvent jamais se décharger totalement et peuvent encore délivrer un courant de court-circuit dangereux. Si elles sont endommagées ou exposées à des températures extrêmes, elles peuvent fuir, génèrent de la chaleur, s'enflammer ou exploser.

- ▶ Respectez toutes les réglementations fédérales, nationales et locales en matière de mise au rebut.
- ▶ Contactez votre distributeur agréé STIHL pour obtenir les informations les plus récentes sur l'élimination des déchets.
- ▶ Recyclez rapidement les batteries épuisées.
- ▶ Tenez les batteries hors de portée des enfants. Ne les démontez pas et ne les jetez pas au feu.



STIHL est engagée dans le développement de produits qui sont écologiquement responsables. Cet engagement ne s'arrête pas lorsque le produit quitte le distributeur agréé STIHL. STIHL a établi un partenariat avec la RBRC (Rechargeable Battery Recycling Corporation) pour promouvoir la collecte et le recyclage des batteries usagées STIHL au lithium-ion aux États-Unis et au Canada.

Le scellé de la RBRC indique que le recyclage de la batterie a été prépayé par STIHL. Le RBRC dispose d'un numéro d'appel gratuit (1-800-822-8837) qui vous permet d'obtenir des informations sur les centres de recyclage des batteries et ainsi que des informations sur les interdictions ou les restrictions relatives à la mise au rebut de la batterie dans votre région. Vous pouvez également retourner gratuitement votre batterie usagée à n'importe quel distributeur agréé STIHL pour recyclage.

0458-698-8221-A

CDN



www.stihl.com



0458-698-8221-A