

# STIHL

## STIHL RMA 460.0 V

Instruction Manual  
Notice d'emploi



**GB** Instruction Manual  
**1 - 41**

**F** Notice d'emploi  
**42 - 86**

# Contents

<b>1</b>	<b>Introduction</b>	<b>2</b>	11.2 Mounting and Removing the Grass Bag	21
<b>2</b>	<b>Guide to Using this Manual</b>	<b>2</b>	11.3 Inserting and Removing the Mulch Insert	21
2.1	Signal Words	2	11.4 Mounting and Removing the Side Discharge Guide	22
2.2	Symbols in Text	3	<b>12 Adjusting the Lawn Mower</b>	<b>23</b>
<b>3</b>	<b>Main Parts</b>	<b>3</b>	12.1 Unfolding and Adjusting the Handle	23
3.1	Lawn Mower and Battery	3	12.2 Folding the Handle	23
<b>4</b>	<b>Safety Symbols on the Products</b>	<b>4</b>	<b>13 Inserting and Removing the Fuse Key</b>	<b>24</b>
4.1	Lawn Mower	4	13.1 Inserting the Fuse Key	24
4.2	Battery	5	13.2 Removing the Fuse Key	25
<b>5</b>	<b>IMPORTANT SAFETY INSTRUCTIONS</b>	<b>5</b>	<b>14 Inserting and Removing the Battery</b>	<b>25</b>
5.1	General Safety Warnings and Instructions	5	14.1 Inserting the Battery	25
5.2	General Safety Warnings and Instructions for Battery-Powered Products	6	14.2 Removing the Battery	26
5.3	Intended Use	7	<b>15 Switching the Lawn Mower On and Off</b>	<b>26</b>
5.4	Operator	8	15.1 Switching On	26
5.5	Personal Protective Equipment	8	15.2 Switching Off	27
5.6	Lawn Mower	9	<b>16 Activating and Deactivating Drive System</b>	<b>27</b>
5.7	Using the Lawn Mower	10	16.1 Activating Drive System	27
<b>6</b>	<b>Battery Safety</b>	<b>15</b>	16.2 Deactivating Drive System	27
6.1	Warnings and Instructions	15	<b>17 Checking the Lawn Mower</b>	<b>28</b>
<b>7</b>	<b>Maintenance, Repair and Storage</b>	<b>17</b>	17.1 Testing the Controls	28
7.1	Warnings and Instructions	17	<b>18 During Operation</b>	<b>28</b>
<b>8</b>	<b>Before Starting Work</b>	<b>17</b>	18.1 Adjusting the Cutting Height	28
8.1	Preparing the Lawn Mower for Operation	17	18.2 Activating ECO Mode	28
<b>9</b>	<b>Charging the Battery</b>	<b>18</b>	18.3 Mowing and Mulching	29
9.1	Setting up the Charger	18	<b>19 After Finishing Work</b>	<b>30</b>
9.2	Charging	19	19.1 Preparing for Transportation or Storage	30
9.3	Mounting the Charger on a Wall	19	<b>20 Transporting the Lawn Mower and Battery</b>	<b>30</b>
<b>10</b>	<b>LED Diagnostics</b>	<b>20</b>	20.1 Lawn Mower	30
10.1	LEDs on the Battery	20	20.2 Battery	31
<b>11</b>	<b>Assembling the Lawn Mower</b>	<b>20</b>	<b>21 Storing the Lawn Mower and Battery</b>	<b>31</b>
11.1	Mounting the Handle	20	21.1 Lawn Mower	31
			21.2 Battery	31

# STIHL

This instruction manual is protected by copyright. All rights reserved, especially the rights to reproduce, translate and process with electronic systems.

<b>22</b>	<b>Cleaning</b> .....	<b>32</b>
22.1	Cleaning the Lawn Mower and Battery .....	32
<b>23</b>	<b>Inspection and Maintenance</b> .....	<b>33</b>
23.1	Inspecting and Maintaining the Lawn Mower .....	33
23.2	Inspecting the Mowing Blade .....	33
23.3	Sharpening and Balancing the Mowing Blade .....	34
23.4	Replacing the Mowing Blade .....	34
<b>24</b>	<b>Troubleshooting Guide</b> .....	<b>36</b>
24.1	Lawn Mower and Battery .....	36
<b>25</b>	<b>Specifications</b> .....	<b>38</b>
25.1	Lawn Mower STIHL RMA 460.0 V .....	38
25.2	STIHL AK Series Battery .....	38
25.3	Ambient Temperature Limits .....	38
25.4	Ambient Temperature Recommendations .....	38
25.5	Symbols on the Lawn Mower and Battery .....	39
25.6	Engineering Improvements .....	39
25.7	FCC 15 Compliance Statement and ISED Declarations .....	39
<b>26</b>	<b>Replacement Parts and Equipment</b> .....	<b>41</b>
26.1	Genuine STIHL Replacement Parts .....	41
<b>27</b>	<b>Disposal</b> .....	<b>41</b>
27.1	Disposal of the Power Tool .....	41
27.2	Battery Recycling .....	41
<b>28</b>	<b>Addresses</b> .....	<b>41</b>
28.1	STIHL Limited .....	41

## 1 Introduction

Thank you for your purchase. The information contained in this manual will help you receive maximum performance and satisfaction from your STIHL lawn mower and, if followed, reduce the risk of injury from its use.

### SAVE THIS MANUAL!



Because a lawn mower is a high-speed cutting tool and is battery-powered, special safety precautions must be observed to reduce the risk of personal injury.



Read this instruction manual thoroughly before use and periodically thereafter. Follow all safety precautions. Careless or improper use of the lawn mower can cause serious or fatal injury.

Do not lend or rent your lawn mower without this instruction manual. Allow only persons who have the proper training and fully understand the information in this manual to operate the lawn mower.

For further information, or if you do not understand any of the instructions in this manual, please go to [www.stihl.ca](http://www.stihl.ca) or contact your authorized STIHL servicing dealer.

## 2 Guide to Using this Manual

### 2.1 Signal Words

This manual contains safety information that requires your special attention. Such information is introduced with the following symbols and signal words:



#### **DANGER**

Indicates a hazardous situation which, if not avoided, will result in death or serious injury.

### **⚠ WARNING**


Indicates a hazardous situation which, if not avoided, could result in death or serious injury.

### **NOTICE**

Indicates a risk of property damage, including damage to the machine or its individual components.

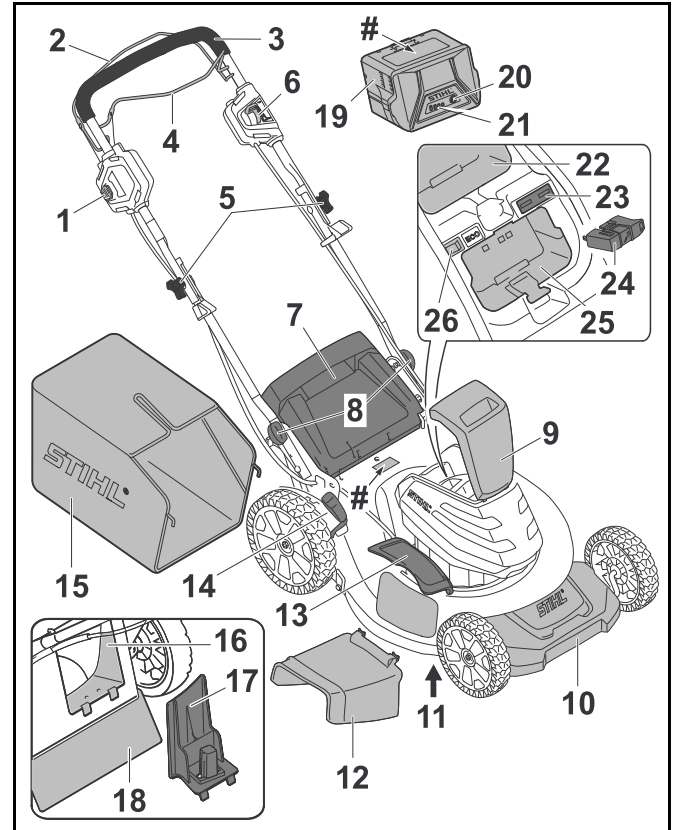
## 2.2 Symbols in Text

The following symbol is included to assist you with the use of the manual:

 Refers to a designated chapter or sub-chapter in this instruction manual.

## 3 Main Parts

### 3.1 Lawn Mower and Battery



#### 1 Switch Lever Lockout

Prevents activation of the switch lever until depressed.

#### 2 Switch Lever

Switches the mower blade on and off.

#### 3 Handle

For controlling the lawn mower.

- 4 Self-Propel Lever**  
Activates drive system.
- 5 Knob**  
Enables upper handle to be folded down.
- 6 Speed Lever**  
Controls the drive speed.
- 7 Rear Discharge Cover**  
Helps prevent the ejection of cuttings during mowing.
- 8 Handle Knob**  
Enables lower and upper handle to be folded down.
- 9 Battery Compartment Cover**  
Covers and protects battery compartment, spare battery storage compartment, ECO-switch, battery and fuse key.
- 10 Cover**  
Designed for transporting the unit and covering the housing.
- 11 Mowing Blade**  
Metal blade for cutting and mulching grass.
- 12 Side Discharge Guide**  
Guide cuttings towards the ground during mowing.
- 13 Side Discharge Cover**  
Helps prevent the ejection of cuttings during mowing.
- 14 Cutting Height Adjustment Lever**  
Used to set the height of the mowing blade.
- 15 Grass Bag**  
Collects cuttings during mowing.
- 16 Rear Discharge Chute**  
Ejects cuttings into the grass bag during mowing.
- 17 Mulch Insert**  
Prevents the ejection of cuttings to the rear discharge chute.
- 18 Trailing Shield**  
Designed to reduce the risk of injury from thrown objects and/or blade contact.
- 19 Battery**  
Supplies electrical power to the motor.
- 20 Push Button**  
Activates the battery's LEDs.
- 21 Battery LEDs**  
Indicate the battery's state of charge and display error messages regarding potential malfunctions in the battery or power tool.
- 22 Spare Battery Compartment**  
Holds the spare battery.
- 23 Fuse Key Socket**  
Socket for connecting the fuse key to the lawn mower.
- 24 Fuse Key**  
Interrupts the circuit between the battery and motor.
- 25 Battery Compartment**  
Holds the battery.
- 26 ECO-Switch**  
Turns the ECO-mode on or off.
- # Rating Plate**  
Contains electrical information and the product's serial number.

## 4 Safety Symbols on the Products

### 4.1 Lawn Mower

The following safety symbols are found on the lawn mower:



To reduce the risk of injury, follow the specified safety precautions.



Read and follow all safety precautions in the instruction manual. Improper use can lead to serious or fatal personal injury or property damage.



To reduce the risk of eye injury, always wear proper eye protection, 5.5.



To reduce the risk of personal injury or property damage from a short circuit, fire or explosion, keep the lawn mower dry. Protect it from rain, water, liquids and damp conditions. Never immerse the lawn mower in water or other liquids, 5.6.



To reduce the risk of laceration injuries, keep hands, feet and other body parts away from the mowing blade. Never put hands or feet under the lawn mower, particularly during operation. Never attempt to clear clippings or debris from the mowing blade or discharge chutes without first switching off the mower and removing the fuse key and battery, 5.7.4.



**DANGER - Keep Hands and Feet Away.**

To reduce the risk of injury, keep hands and feet away from rotating parts. Do not operate unless discharge covers or grass bag are securely in place. If damaged, replace discharge covers immediately, 5.7.4.



The rotating mowing blade may throw or fling foreign objects directly or by ricochet. To reduce the risk of personal injury from thrown objects, inspect the mowing area and remove stones, pieces of metal, glass, wire and other objects that could be thrown by the mowing blade, 5.7.4.



To reduce the risk of personal injury from thrown objects, keep bystanders at least 50 ft. (15 m) away, 5.7.4.



To reduce the risk of injury from loss of control, mow parallel to the slope, never up or down. Take particular care when changing direction on slopes, 5.7.4.



To reduce the risk of injury or property damage from unintended activation, remove the battery any time the lawn mower is not in use, 5.7.

## 4.2 Battery

The following safety symbols are found on the AK series battery:



To reduce the risk of injury, follow the specified safety precautions.



Read and follow all safety precautions in the battery's instruction manual and the manual for the STIHL tool powered by this battery. Improper use can lead to serious or fatal personal injury or property damage.



To reduce the risk of personal injury or property damage from fire, explosion or burns, including chemical burns, do not disassemble, crush, drop, damage or heat above 212 °F (100 °C). Never expose to fire or incinerate, 6.1.



To reduce the risk of personal injury or property damage from a short circuit, fire or explosion, keep dry. Protect from rain, water, liquids and damp conditions. Never immerse in water or other liquids, 6.1.

Batteries sold separately.

## 5 IMPORTANT SAFETY INSTRUCTIONS

### 5.1 General Safety Warnings and Instructions

This section contains the prescribed general safety warnings and instructions for electric lawn mowers. Additional important warnings and instructions are provided in subsequent sections of this manual.

## **⚠ WARNING**

When using electric lawn mowers, basic safety precautions should always be followed to reduce the risk of fire, electric shock and personal injury, including the following:

### **READ ALL INSTRUCTIONS BEFORE USING THE LAWN MOWER!**

- 1) Avoid Dangerous Environment – Don't use lawn mowers in damp or wet locations.
- 2) Don't Use In Rain.
- 3) Keep Children Away – All bystanders should be kept at a distance from work area.
- 4) Dress Properly – Do not wear loose clothing or jewelry. They can be caught in moving parts. Substantial footwear is recommended. Never wear sandals, tennis shoes, flip flops or similar footwear or go barefoot. Wear heavy-duty work gloves (e.g. made of leather or other wear-resistant material) when transporting the mower or carrying out work on the mower blade.
- 5) Use Protective Glasses – Always use an approved face or dust mask if operation is dusty.
- 6) Use the Right Appliance – Do not use the lawn mower for any job except that for which it is intended.
- 7) Do Not Force the Lawn Mower – It will do the job better and more safely at the rate for which it was designed.
- 8) Do Not Overreach – Keep proper footing and balance at all times.
- 9) Stay Alert – Watch what you are doing. Use common sense. Do not operate the lawn mower when you are tired.
- 10) Disconnect the Lawn Mower – Disconnect the lawn mower from the power supply by removing the fuse key and battery when not in use, before servicing, when changing accessories such as blades, and the like.
- 11) Store Lawn Mower Indoors – When not in use, lawn mower should be stored indoors in a dry and locked place – out of reach of children.

12) Maintain the Lawn Mower With Care – Keep cutting edges sharp and clean for optimal performance and to reduce the risk of injury. Follow instructions for lubricating and changing accessories. Inspect lawn mower periodically and, if damaged, have it repaired by an authorized service facility.

13) Keep handles dry, clean and free from oil and grease.

14) Keep guards in place and in working order.

15) Keep blades sharp.

16) Keep hands and feet away from cutting area.

17) Objects struck by lawn mower blade can cause severe injuries to persons. The lawn should always be carefully examined and cleared of all objects prior to each mowing.

18) If lawn mower strikes a foreign object, follow these steps:

- Stop lawn mower. Release switch lever.
- Remove fuse key and battery.
- Inspect for damage.
- Have any damage repaired by an authorized service facility before restarting and operating the lawn mower.

19) Use identical replacement blades only.

### **SAVE THESE INSTRUCTIONS**

## **5.2 General Safety Warnings and Instructions for Battery-Powered Products**

This section contains the prescribed general safety warnings and instructions for battery-powered products contained in UL 2595.

## **⚠ WARNING**

Read all safety warnings and instructions. Failure to follow the warnings and instructions may result in electric shock, fire, explosion and/or serious injury or property damage.



- 1) Prevent unintentional starting. Ensure the switch lever is in the off-position before inserting the battery.
- 2) Remove the fuse key and battery before picking up or carrying the mower and before making any adjustments, changing accessories or storing. Such preventive safety measures reduce the risk of starting the mower accidentally.
- 3) Recharge only with the charger specified by STIHL. A charger that is suitable for one type of battery may create a risk of fire when used with another battery.
- 4) Use the mower only with the specifically designated batteries. Use of any other battery may create a risk of fire or explosion and personal injury or property damage.
- 5) When the battery is not in use, keep it away from other metal objects, like paper clips, coins, keys, nails or other small metal objects that can make a connection from one terminal to another. Do not store it in a metal container. Shorting the battery terminals together may cause burns or a fire or explosion.
- 6) Under abusive conditions, liquid may be ejected from the battery; avoid contact. If contact accidentally occurs, flush with water. If liquid contacts eyes, additionally seek medical help. Liquid ejected from the battery may cause irritation, chemical burns or respiratory illness from inhalation
- 7) Do not use a battery or mower that is damaged or modified. Damaged or modified batteries may exhibit unpredictable behaviour resulting in fire, explosion and risk of injury or property damage.
- 8) Do not expose a battery or the mower to fire or excessive temperature. Exposure to fire or temperatures above 212° F (100° C) may cause fire and explosion.
- 9) Follow all charging instructions and do not charge the battery outside of the ambient temperature range specified. Charging improperly or outside the specified range may damage the battery and increase the risk of fire.
- 10) Have servicing performed by a qualified repair person using only identical replacement parts.

## SAVE THESE INSTRUCTIONS

### 5.3 Intended Use

## WARNING

- This lawn mower is intended for manual lawn mowing. Use of the lawn mower for operations different than intended could result in serious injury or death.
  - Use this lawn mower only for mowing dry grass. Do not mow wet grass.
- Improper use could result in personal injury or property damage, including damage to the lawn mower.
  - Use the lawn mower and battery only as described in this manual.
  - Never attempt to modify or override the lawn mower's controls or safety devices in any way.
  - Never use a lawn mower that has been modified or altered from its original design.
  - Be sure to read and follow the warnings and instructions for your battery and charger before charging or starting work.
- This power tool may be powered only by a STIHL AK series battery.
- The STIHL AK series battery is designed for use only with compatible STIHL power tools.

Batteries, chargers and other accessories are sold separately.

## 5.4 Operator

### WARNING

- Working with the lawn mower can be strenuous. The operator must be in good physical condition and mental health. To reduce the risk of personal injury from fatigue and loss of control:
  - Check with your doctor before using the lawn mower if you have any health condition that may be aggravated by strenuous work.
  - Do not operate the lawn mower while under the influence of any substance (drug, alcohol or medication, etc.) that might impair vision, balance, dexterity or judgment.
  - Be alert. Do not operate the lawn mower when you are tired. Take a break if you become tired.
  - Do not permit minors to use the lawn mower.
  - Bystanders, especially children, and animals should not be allowed in the area where the lawn mower is in use.
- According to STIHL's current knowledge, the electric motor of this lawn mower should not interfere with a pacemaker.
  - However, persons with a pacemaker or other implanted medical device should consult their physician and device manufacturer before operating this lawn mower.

## 5.5 Personal Protective Equipment

### WARNING

- Loss of control and severe cut injuries may result if hair, clothing or apparel make contact with the moving mowing blade or otherwise become entangled in the components of the lawn mower. To reduce the risk of severe personal injury:



- Wear sturdy and snug-fitting clothing that also allows complete freedom of movement.
- Wear overalls or long pants made of heavy material to help protect your legs. Do not wear shorts.
- Avoid loose-fitting jackets, scarves, neckties, flared or cuffed pants, jewelry and any other apparel that could be caught on branches, brush or the moving parts of the mower.
- Secure hair above shoulder level before starting work.

- To reduce the risk of eye injury:



- Always wear goggles or close-fitting protective glasses with adequate side protection that are impact-rated and marked as complying with CSA Z94.

- Good footing is very important. To help maintain a secure footing and reduce the risk of injury while working:



- Wear substantial footwear with non-slip soles. Do not wear sandals, flip-flops, open-toed or similar footwear or go barefoot.

- To improve your grip and help protect your hands:



- Always wear heavy-duty non-slip work gloves made of leather or another wear-resistant material when handling the lawn mower or its mowing blade

## 5.6 Lawn Mower

### **⚠** WARNING

- If the moving mowing blade contacts you, it will result in serious laceration injuries. To reduce the risk of such injuries:
  - Keep hands, feet and other parts of your body away from the mowing blade.
  - Never touch the moving mowing blade with your hand or any other part of your body.

- To reduce the risk of electric shock:



- Do not expose the lawn mower to rain, water or excessive moisture.
- Never immerse the lawn mower in water or other liquids.
- Do not leave the mower outdoors in the rain.
- Store the lawn mower indoors.

- If the moving mowing blade contacts you, it will result in serious laceration injuries. To reduce the risk of such injuries:
  - Keep hands, feet and other parts of your body away from the mowing blade.
  - Never touch the moving mowing blade with your hand or any other part of your body.


- To reduce the risk of personal injury to the operator and bystanders:



- Always release the switch lever, remove the fuse key and battery before assembling, transporting, adjusting, inspecting, cleaning, servicing, maintaining or storing the lawn mower, and any other time it is not in use.

- Although certain unauthorized accessories or attachments may fit STIHL lawn mowers, their use may increase the risk of personal injury. Only accessories and

attachments supplied by STIHL or expressly approved by STIHL for use with this specific lawn mower model are recommended.

- Use only attachments supplied or expressly approved by STIHL.
  - Never modify this lawn mower or its software in any way.
  - Never attempt to modify or override the lawn mower's controls or safety devices in any way.
  - The switch and safety devices installed in the lawn mower must not be removed or bypassed. In particular, never secure the switch lever to the handle (e.g., by tying it.)
  - Never use a lawn mower that has been modified or altered from its original design.
- If the lawn mower is dropped or subjected to similar heavy impacts:
    - Check that it is undamaged, in good condition and functioning properly before continuing work.
    - Check that the controls and safety devices are working properly.
    - Check the LEDs for error messages,  10.1.2.
    - Check that the battery has not been damaged. Never use or charge a malfunctioning, damaged, cracked, leaking or deformed battery.
    - Never work with a damaged or malfunctioning lawn mower or battery. In case of doubt, have the lawn mower and battery checked by your authorized STIHL servicing dealer.
  - If the lawn mower or battery is damaged, not working properly, has been left outdoors and exposed to rain or damp conditions, or dropped into water or other liquid, its

components may no longer function properly and safety devices may be inoperative. To reduce the risk of personal injury and property damage:


- Take the lawn mower and battery to your authorized STIHL servicing dealer to be checked before further operation.
- Genuine STIHL replacement parts are specifically designed to match your lawn mower and meet safety and performance requirements. Use of parts that are not authorized or approved by STIHL may cause serious or fatal injury or property damage.
  - STIHL recommends that only identical STIHL replacement parts be used.

## 5.7 Using the Lawn Mower

### 5.7.1 Before Operation

#### **⚠ WARNING**

- Misuse or unauthorized use may result in personal injury and property damage.
  - Use the lawn mower only as described in this instruction manual.
- Minors should never be allowed to use this power tool. Bystanders, especially children, and animals should not be allowed in the area where it is in use. Accidents can occur if the operator is not alert to the presence of children. Children are often attracted to the machine and mowing activities. Never assume that children will remain where you last saw them. Keep children under the watchful eye of a responsible adult other than the operator. Use extra care when approaching blind corners, shrubs, trees or other objects that may block your view of a child.

- Using a lawn mower that is modified, damaged, improperly adjusted or maintained, or not completely and securely assembled can lead to a malfunction and increase the risk of serious personal injury or death.
  - Never operate a lawn mower that is modified, damaged, improperly maintained or not completely and securely assembled.
  - Always check your lawn mower for proper condition and operation before starting work, particularly the switch lever, switch lever lockout and make a visual inspection of the mowing blade.
  - Ensure that the switch lever and switch lever lockout move freely and always spring back to the locked position when released. The switch lever must not engage until the switch lever lockout is depressed.
  - Never attempt to modify or override the controls or safety devices in any way.
  - If your lawn mower or any part is damaged or does not function properly, take it to your authorized STIHL servicing dealer. Do not use the lawn mower until the problem has been corrected.
- Never use your mower with a damaged grass bag.
  - Inspect the grass bag frequently and replace with an authorized replacement if there are signs of wear or deterioration.
- Before inserting the battery:
  - Check the contacts in the battery compartment for corrosion or other foreign matter and keep clean.
  - Never insert or use a malfunctioning, damaged, cracked, leaking or deformed battery.
  - Read and follow the instructions on switching on the lawn mower,  15.1.
- To help reduce the risk of serious personal injury or death from unintentional starting:
  - Be sure the switch lever and switch lever lockout are in the off position when inserting the battery.
  - Avoid contacting the switch lever and switch lever lockout when grasping the handle of the lawn mower.

- Release the switch lever and switch lever lockout before removing the battery.



- Remove the fuse key and battery before assembling, transporting, adjusting, inspecting, cleaning, servicing, maintaining or storing the lawn mower, and any time it is not in use.
- Never leave the lawn mower unattended when the battery is inserted.
- Never store the battery in the lawn mower.
- Before switching on your lawn mower, take the following steps to reduce the risk of personal injury from thrown objects, loss of control or inadvertent contact with the mowing blade:
  - Be sure that the mowing blade is clear of you and all other obstructions and objects, including the ground.
  - Read and follow the instructions on switching on the lawn mower, 15.1.

## DANGER

- To reduce risk of electrocution:



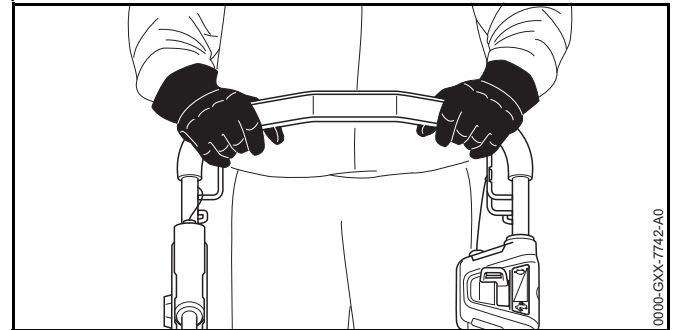
- Never operate this lawn mower in the vicinity of any wires or cables that may be carrying electric current.
- Do not rely on the lawn mower's insulation against electric shock.

### 5.7.2 Holding and Controlling the Lawn Mower

## WARNING

- To maintain a firm grip and properly control your lawn mower:
  - Operate the mower at walking pace at all times - never run.
  - Keep the handles clean and dry at all times. Keep them free of moisture, pitch, oil, grease and resin.

- Operating the lawn mower with one hand may lead to loss of control and is extremely dangerous. To reduce the risk of serious or fatal injury to the operator or bystanders from loss of control:
  - Never attempt to operate the lawn mower with one hand.



- To reduce the risk of serious or fatal injuries to the operator or bystanders from loss of control:
  - Always hold the lawn mower firmly with both hands when you are working.
  - Wrap your fingers tightly around the handle, keeping the handle, switch and self-propel lever cradled between your thumb and forefinger (see illustration).
  - Activate the self-propel feature after switching on the lawn mower.
  - Do not use the mower for transporting persons or objects.
  - Do not attach objects to the handle.
- To reduce the risk of serious or fatal injuries to the operator or bystanders from contact with the mowing blade:



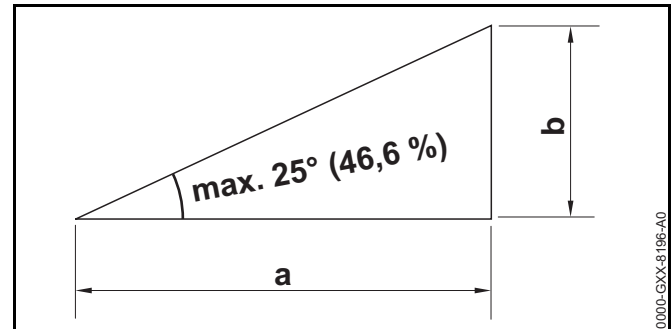
- Keep hands, feet and other body parts away from the mowing blade.
- Never touch a moving mowing blade with your hand or any other part of your body.



- Never attempt to clear clippings or debris from the mowing blade or discharge chutes without first switching off the lawn mower and removing the fuse key and battery.
- Do not touch the mowing blade while the battery and fuse key are inserted in the lawn mower.
- To reduce the risk of serious or fatal cut injuries to the operator or bystanders from loss of control, keep proper footing and balance at all times:
  - Never work with the lawn mower in the rain or in wet or very damp conditions.
  - Make sure you have good balance and a secure footing at all times.
  - Take special care in overgrown terrain and always watch for hidden obstacles such as tree stumps, roots, rocks, holes and ditches to avoid stumbling or falling.
  - Be extremely cautious when working on slopes or uneven ground.
  - For better footing, always clear away fallen branches, scrub, cuttings and other material, objects or vegetation that can increase the danger of slipping, tripping or falling.
  - Do not overreach.
- To reduce the risk of serious injuries to the operator or bystanders from loss of control:



- Do not mow near drop offs, ditches or embankments. You could lose your footing and balance.
- Be extremely cautious when working on slopes or uneven ground. Do not operate the lawn mower on excessively steep slopes. Slopes are a major factor related to slip and fall accidents, which in turn can result in severe injury.
- Operate this lawn mower only on slopes with gradients of up to 25°.
- Mow parallel to the slope, never up or down. Take particular care when changing direction on slopes.
- Do not pull the mower backwards unless absolutely necessary. Always look down and behind before and while mowing backwards.



25° slope gradient represents a vertical gradient of  $b = 18.3$  in. (46.6 cm) at  $a = 39.4$  in. (100 cm) horizontal length.

### 5.7.3 Working Conditions

## **▲ WARNING**

- Operate your lawn mower only under good visibility during favorable daylight conditions.
  - Postpone the work if the weather is windy, foggy, rainy or inclement.
  - Never operate the mower in wet grass. Do not mow wet grass.
  - Do not operate the mower when there is a risk of lightning strike.
- Your lawn mower is a one-person machine.
  - Bystanders, especially children, and animals should not be allowed in the area where it is in use.
  - Switch it off immediately if you are approached.
- To reduce the risk of injury to bystanders and unauthorized users:
  - Never leave the lawn mower unattended when the fuse key and battery are inserted.
  - Switch off the lawn mower and remove the fuse key and battery during work breaks and any other time the lawn mower is not in use.
- The drive motor is not waterproof.
  - Never work with the lawn mower in the rain or in wet or very damp locations.
- Sparks generated from operation of the lawn mower, may be capable of igniting combustible gases, liquids, vapors, dusts or other combustible materials and substances. To reduce the risk of fire and explosion:
  - Never operate the lawn mower in a location where combustible gases, liquids, vapors, dusts or other combustible materials and substances are present.
  - Read and follow recommendations issued by government authorities (e.g., CCOHS) for identifying and avoiding the hazards of combustible gases, liquids, vapors, dusts or other combustible materials and substances.
- If a rotating metal blade strikes a rock or other hard object, sparks may be created, which can ignite flammable materials under certain circumstances. Flammable materials can include dry vegetation and brush, particularly when weather conditions are hot and dry.
  - When there is a risk of fire or wildfire, do not use the lawn mower around flammable materials or around dry vegetation or brush.
  - Contact your local fire authorities or the Canadian Forest Service if you have any question about whether vegetation and weather conditions are suitable for the use of a metal blade.
- Use of this lawn mower can generate dust and other substances containing chemicals known to cause respiratory problems, cancer, birth defects and other reproductive harm.
  - Consult governmental agencies such as ECCC, CCOHS and PHAC and other authoritative sources on hazardous materials if you are unfamiliar with the risks associated with the particular substances you are cutting or with which you are working.
- Inhalation of certain dusts, especially organic dusts such as mold or pollen, can cause susceptible persons to have an allergic or asthmatic reaction. Substantial or repeated inhalation of dust or other airborne contaminants, especially those with a smaller particle size, may cause respiratory or other illnesses.
  - Control dust at the source where possible.
  - To the extent possible, operate the lawn mower so that the wind or operating process directs any dust, mist or other particulate matter raised by the lawn mower away from the operator.
  - When respirable dust or other particulate matter cannot be kept at or near background levels, always wear a respirator that is approved by PHAC and rated for worksite-specific conditions. Follow the recommendations of governmental authorities (e.g., CCOHS/PHAC/MSHA) and occupational and trade associations.

- If the vegetation being cut or the surrounding ground is coated with a chemical substance, such as a pesticide, fertilizer or herbicide:
  - Read and follow the instructions and warnings that accompanied the substance coating the vegetation or surrounding ground.

#### 5.7.4 Operating Instructions

### ⚠ WARNING

- In the event of an emergency, switch off the motor immediately and remove the fuse key and battery.
- The mowing blade continues to rotate for a short period after the switch lever is fully released. This is known as the "flywheel effect." To reduce the risk of serious personal injury from contact with the mowing blade:
  - Wait for the mowing blade to stop before lifting or carrying the lawn mower.
- The mower deck of your lawn mower will not protect the operator from all foreign objects (gravel, glass, wire, etc.) thrown back by the rotating cutting blade. Thrown objects may also ricochet and strike the operator, bystanders or property.
  - Avoid discharging material against a wall or obstruction.
- The rotating mowing blade may fling foreign objects directly or by ricochet a great distance. Thrown objects, including broken mowing blades, may cause serious or fatal injury to the operator or bystanders. To reduce the risk of severe personal injury:



- Inspect the work area. Remove stones, glass, rocks, pieces of metal or other objects that could be thrown by the mowing blade, damage the mowing blade or cause personal injury or damage to property (e.g., parked vehicles, windows).



- Always wear proper eye protection and keep bystanders at least 50 ft. (15 m) away from the work area. Any persons who must enter the restricted area must also wear proper eye protection.
- Stay behind the handle when the motor is running or the cutting blade is turning.
- To reduce the risk of damage to property, also maintain this distance from such objects as vehicles and windows.
- Maintaining a minimum distance of 50 ft. (15 m) cannot eliminate the potential risk of personal injury and property damage from thrown objects.
- Switch off the motor immediately if you are approached while working with the lawn mower.
- Never direct discharged material toward anyone.
- Never operate the lawn mower without the grass bag or rear discharge cover in place and working. Make sure all safety devices are in place before starting work.
- Never operate the mower without the side discharge cover closed or the side discharge guide in place.
- To reduce the risk of severe personal injuries from unintentional starting:



- Do not put hands or feet near or under the machine. Keep clear of the discharge opening at all times.



- Never touch the mowing blade with your hand, feet or any other part of your body while the fuse key and battery are inserted, even if the mowing blade is not moving. Keep bystanders at least 50 ft. (15 m) away.





- If the mowing blade or discharge chutes become dirty, clogged or stuck, always switch off the motor, make sure the mowing blade has stopped and remove the fuse key and battery before inspecting the mowing blade. Clean dirt, grass, weeds and other material from the mowing blade and discharge chutes at regular intervals, but only after removing the fuse key and battery.
- To reduce the risk of thermal overload to the motor and damage to the mower:
  - Do not switch on the mower in high grass.
  - Do not overload your lawn mower during operation with very tall or thick grass to a point where the motor slows down. If the motor sounds distressed or begins to slow due to the height of the grass or amount of grass being cut, raise the mowing blade or slow down.
  - Do not switch on and off the mower frequently within a short period.
- A damaged or loose mowing blade may vibrate, crack, break or come off the lawn mower, which may result in serious or fatal injury.
  - Before starting work, examine the blade. If the blade is damaged or cracked, replace it immediately. If the blade edge is dull or nicked, have it sharpened and balanced or replace it.
  - If the mowing blade loosens after being properly tightened, stop work immediately and have the lawn mower repaired by your authorized STIHL iMow servicing dealer.
  - Never use a lawn mower with a loose or damaged mowing blade.

## DANGER

- To reduce risk of electrocution:



- Never operate this lawn mower in the vicinity of any wires or cables that may be carrying electric current.
- Do not rely on the lawn mower's insulation against electric shock.



## 6 Battery Safety

### 6.1 Warnings and Instructions

#### WARNING

- Use of unauthorized batteries can damage the lawn mower and result in fire, explosion and personal injury and property damage.
  - Use only genuine STIHL AK series batteries.
- Use of STIHL AK series batteries for any purpose other than powering STIHL power tools could be extremely dangerous.
  - Use STIHL AK series batteries only to power compatible STIHL power tools.
- Use of unauthorized chargers can damage the battery and result in fire, explosion and personal injury and property damage.
  - Use only genuine STIHL AL 101, AL 301 or AL 500 series chargers to charge STIHL AK series batteries.
- The battery contains safety features and devices which, if damaged, may allow the battery to generate heat, rupture, leak, ignite or explode.
  - Never heat the battery above 212 °F (100 °C).
  - Never incinerate or place the battery on or near fires, stoves or other high-temperature locations.
- Never use or charge a malfunctioning, damaged, cracked, leaking or deformed battery.



- Never open, disassemble, crush, drop, subject to heavy impact or otherwise damage the battery.
  - Never expose the battery to microwaves or high pressures.
  - Never insert objects into the battery's cooling slots.
  - Extreme temperatures may cause the battery to generate heat, rupture, leak, ignite or explode, resulting in severe or fatal personal injury and property damage.
    - Never charge, use or store the battery outside the specified ambient temperature limits,  25.3.
  - To reduce the risk of personal injury and property damage in the event the battery emits smoke, has an unusual smell or feels unusually hot while using, charging or storing:
    - Immediately discontinue using or charging the battery. Contact the authorities in the event of fire or explosion.
  - To reduce the risk of a short circuit, which could lead to electric shock, fire and explosion:
    - Keep the battery dry. Protect it from rain, water, liquids and damp conditions.
    - Never immerse the battery in water or other liquids.
- 
- Never bridge the battery terminals with wires or other metallic objects.
  - Keep a battery that is not in use away from small metal objects capable of conducting electricity (e.g., paper clips, nails, coins, keys).
  - Store the battery indoors in a dry room.
  - Never store the battery in damp or corrosive environments or in conditions that could lead to corrosion of its metal components.
  - Never store the battery in the lawn mower.
  - When storing the battery, maintain a charge of 40 % to 60 % (2 green LEDs).
  - If storing the battery in the charger, disconnect the charger from the outlet.
- Protect the battery from exposure to corrosive agents such as garden chemicals and de-icing salts.
  - Protect the battery from exposure to conductive liquids such as salt water.
  - Do not attempt to repair, open or disassemble the battery. There are no user-serviceable parts inside.
- Leaking battery fluid is potentially harmful and can cause skin and eye irritation, chemical burns and other serious personal injury.
  - Avoid contact with skin and eyes.
  - Use an inert absorbent such as sand on spilled battery fluid.
  - In the event of accidental contact, immediately rinse the contact area thoroughly with mild soap and water.
  - If fluid gets into your eye(s): Do not rub. Rinse water over the open eye(s) for at least 15 minutes and seek medical attention.
- A battery fire can be dangerous. To reduce the risk of severe personal injury and property damage in the event of fire:
  - Evacuate the area. Fire can spread rapidly. Stay clear of any vapors generated and maintain a safe distance.
  - Contact the fire department.
  - Although water can be used to put out a battery fire, use of a multi-purpose dry chemical fire extinguisher is preferable.
  - Consult the fire department regarding proper disposal of a burned battery.
- Dropping the battery could result in personal injury or property damage. To prevent the battery from falling during removal:
  - Place the lawn mower on a level surface.
  - Use care when ejecting the battery.

## 7 Maintenance, Repair and Storage

### 7.1 Warnings and Instructions

#### **⚠** WARNING

- There are no user-authorized repairs for the battery or lawn mower. To reduce the risk of fire, electric shock or other personal injury and property damage:
  - Users may carry out only the cleaning and maintenance operations described in this manual.
  - Strictly follow the cleaning and maintenance instructions in the appropriate sections of this instruction manual.
  - Never attempt to repair a damaged or broken mowing blade. This may cause broken parts to come off and result in serious or fatal injuries.
  - Wear non-slip, heavy-duty work gloves when handling mowing blades.
  - STIHL recommends that all repair work be performed by authorized STIHL servicing dealers.
  - Maintain and replace warning and instruction labels as necessary.
- Unintentional starting may result in personal injury or property damage. To reduce the risk of personal injury and property damage from unintentional starting:
  - Remove the fuse key and battery before inspecting the lawn mower or carrying out any cleaning, maintenance or repair work, before storing, and any other time it is not in use.
- The mowing blade is the only user-serviceable part on the lawn mower.
  - Wear heavy-duty, non-slip work gloves made of leather or another wear resistant material when handling the mowing blade.
  - Replace the mowing blade when it becomes worn or damaged.




- Tighten all nuts, bolts and screws after replacing the mowing blade.
- Use of parts that are not authorized or approved by STIHL may cause serious or fatal injury or property damage.
  - STIHL recommends that only identical STIHL replacement parts be used for repair or maintenance.
- Improper storage can result in unauthorized use, damage to the lawn mower and an increased risk of fire, electric shock and other personal injury or property damage.
  - Remove the fuse key and battery from the lawn mower before storing.
  - Never store the lawn mower with the fuse key or battery inserted.
  - When storing the battery, maintain a charge of 40 % to 60 % (2 green LEDs).
  - If storing the battery in the charger, disconnect the charger from the outlet.
  - Store the lawn mower indoors in a dry, secure place that cannot be accessed by children or other unauthorized users.
  - Never store the battery in the lawn mower or in a container with small metal objects capable of conducting electricity (e.g., paper clips, nails, coins, keys).

## 8 Before Starting Work




### 8.1 Preparing the Lawn Mower for Operation

Before starting work:




- ▶ Remove packaging material and transport locks.
- ▶ Fully charge the battery, 9.2.
- ▶ Mount the handle, 11.1.
- ▶ Unfold and adjust the handle, 12.1.
- ▶ Adjust the cutting height, 18.1.

- ▶ Check the controls for proper function and condition,  17.1.




#### For mowing and collecting the grass cuttings in the grass bag:

- ▶ Remove the side discharge guide,  11.4.2.
- ▶ Remove the mulch insert,  11.3.2.
- ▶ Attach the grass bag,  11.2.1.

#### For mowing and discharging the grass cuttings sideways:

- ▶ Remove the mulch insert,  11.3.2.
- ▶ Remove the grass bag,  11.2.2.
- ▶ Attach the side discharge guide,  11.4.1.


#### For mulching:

- ▶ Remove the side discharge guide,  11.4.2.
- ▶ Remove the grass bag,  11.2.2.
- ▶ Mount the mulch insert,  11.3.1.

## 9 Charging the Battery

### 9.1 Setting up the Charger

#### WARNING

Read and follow the safety precautions on the battery and charger and the warnings and instructions in this manual,  6, and the battery and charger's manual. To reduce the risk of short circuit, which could lead to electric shock, fire and explosion, make sure the charger and its components are dry and not damaged; operate the charger indoors at an appropriate ambient temperature.

#### WARNING

A typical household electrical circuit is between 15 and 20 amps. A single STIHL AL 500 charger draws approximately 4.8 amps. A single AL 301 draws

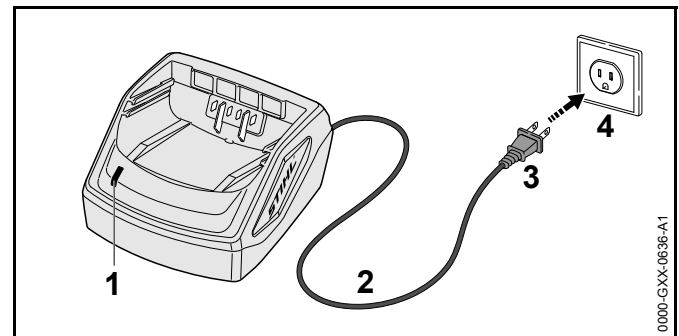
approximately 4.4 amps and an AL 101 approximately 1.3 amps. To reduce the risk of fire from overloading an electrical circuit:

- ▶ Ensure the electrical system is rated to withstand the expected electrical draw before charging your battery.
- ▶ Charge multiple batteries one at a time or on separate circuits, unless you know your circuit can handle the total expected draw from multiple chargers.

#### WARNING

Since the battery and charger heat up during the charging process, do not operate the charger on a combustible surface or in a location where combustible gases, liquids, vapors, dusts or other materials and substances are present.

To set up the charger:




- ▶ Insert the plug (3) into a properly installed electrical outlet (4) matching the voltage and electrical frequency stated on the charger's rating plate.

The charger runs a self-test immediately after it is plugged in. The charger LED (1) will glow green for about 1 second, then it will glow red briefly before going out. Once the LED goes out, the self-test is complete and the charger is ready to charge the battery.

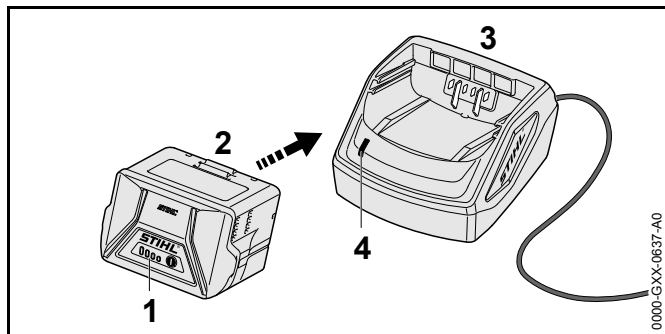
- ▶ Position the power supply cord (2) so that it will not be stepped on, tripped over, come in contact with sharp objects or moving parts or otherwise be subjected to damage or stress.

## 9.2 Charging

### **!** WARNING

STIHL batteries contain safety features and devices which, if damaged, may allow the battery to generate heat, rupture, leak, ignite or explode. Never charge a malfunctioning, damaged, cracked, leaking or deformed battery. For indoor use only. Keep the charger dry. Protect it from rain, water, liquids and damp conditions. Never insert a wet battery. Never use a wet charger,  6.

To charge the battery:




- ▶ Push the battery (2) into the charger (3) until it stops. The LED on the charger (4) glows green when the battery is charging.

The LEDs (1) on the battery glow green and show the state of charge.

When the LEDs on the battery turn off, the charging process is complete and the charger will shut itself off. The battery can be removed from the charger.

- ▶ Disconnect the power supply cord from the electrical outlet when the charger is not in use for extended periods of time.

A battery is not fully charged when it ships from the factory. STIHL recommends that you fully charge the battery before using it the first time.

Operate the charger indoors in a dry room. For optimum performance, observe the recommended ambient temperature ranges,  25.4.

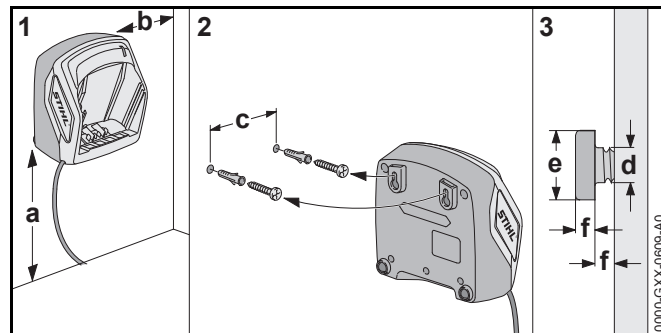
The battery heats up during operation of the lawn mower. If a hot battery is inserted into the charger, it may be necessary for it to cool down before charging starts. The charging process begins only after the battery has cooled down sufficiently.

Charging time depends on a number of factors, including battery condition and the ambient temperature. For a complete list of approximate charging times, see [www.stihl.com/charging-times](http://www.stihl.com/charging-times).

## 9.3 Mounting the Charger on a Wall

Before mounting, ensure that no electrical cables, pipes or other service lines run in the wall behind the charger.

To mount the wall charger:



- ▶ Mount the charger indoors in a dry room near an electrical outlet.
- ▶ Sink the screws into a wall stud. Use appropriate screw-in wall anchors or other similar mounting devices if an appropriate wall stud is not available.
- ▶ Align the charger as shown above. Mount to a wall with the following dimensions:
  - a = minimum 18 in. (450 mm)
  - b = minimum 3.9 in. (100 mm)
  - c (for AL 101) = 3.0 in. (75 mm)
  - c (for AL 301) = 3.9 in. (100 mm)
  - c (for AL 500) = 4.7 in. (120 mm)
  - d = 0.2 in. (4.5 mm)

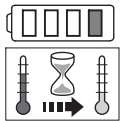
- e = 0.4 in. (9 mm)
- f = 0.1 in. (2.5 mm)

## 10 LED Diagnostics

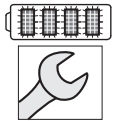
### 10.1 LEDs on the Battery

#### 10.1.1 Battery Status

Four LEDs show the status of the battery. These LEDs can glow or flash green or red.



**If one LED glows red continuously:** the battery is either too hot or too cold. Allow the battery to warm up or cool down gradually at an ambient temperature of about 50 °F to 68 °F (10 °C to 20 °C).



**If all 4 LEDs flash red:** the battery has a malfunction and must be replaced. Do not attempt to charge, use or store the battery.

#### 10.1.2 Lawn Mower Status

When the battery is inserted in the lawn mower, the same LEDs on the battery will indicate the status of the lawn mower.

**If three LEDs glow red continuously:** the lawn mower motor is too hot. Allow the motor to cool down.

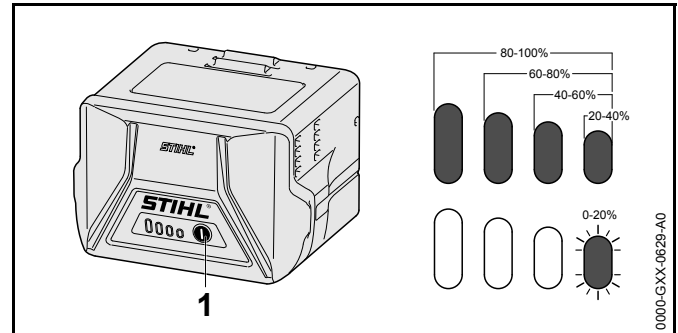
**If three LEDs flash red when you activate the trigger switch:** the lawn mower has an electrical malfunction. Do not operate the lawn mower. Have it checked by an authorized STIHL servicing dealer before use or storage.

For troubleshooting information, 24.

#### 10.1.3 Charge Status

The LEDs on the battery also show the battery's state of charge.

To determine the battery's state of charge:



- ▶ Press the button (1) on the battery. The LEDs on the battery will glow or flash green for about 5 seconds and indicate the state of charge (see illustration).

**For example:**

**If four green LEDs glow continuously:** full charge.

**If one green LED is flashing:** less than 20 % charge.

## 11 Assembling the Lawn Mower

### 11.1 Mounting the Handle

#### WARNING

Make sure the fuse key and battery are removed before starting assembly.




#### WARNING

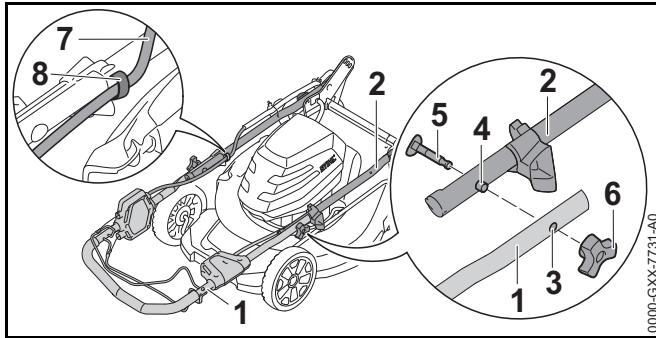
To reduce the risk of injury from loss of control, ensure that the handle is properly and securely mounted before starting work. The lower handle and upper handle can be folded down after rotating the handle knobs. Check that the star knobs are firmly tightened. Hold the handle at the highest point with one hand and rotate the handle knobs. Use caution and avoid pinching fingers between the parts.

## **⚠ WARNING**

To reduce the risk of pinching fingers between the parts, hold the handle at the highest point with one hand when loosening the star knobs.

To mount the handle:

- ▶ Switch off the lawn mower,  15.2.
- ▶ Remove the fuse key and battery,  13.2 and  14.2.
- ▶ Position the lawn mower on a level surface.




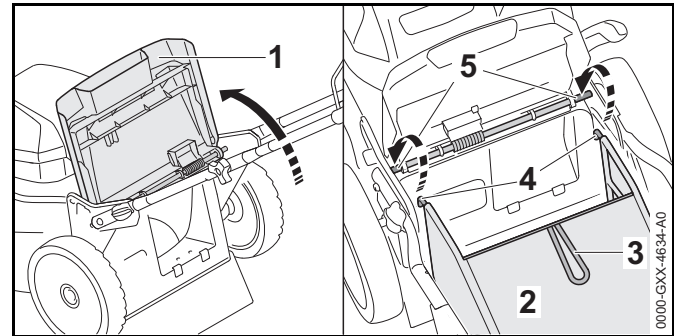
- ▶ Align the upper part (1) and lower part (2) of the handle so that the pin (4) engages into the bore (3) on both sides.
- ▶ Insert the screw (5) and align it so that the screw head is flush with the lower part of the handle on both sides.
- ▶ Screw on the star knob nut (6).
- ▶ Press the cable (7) into the holder (8) on both sides.

## 11.2 Mounting and Removing the Grass Bag

### 11.2.1 Mounting the Grass Bag

To mount the grass bag:


- ▶ Switch off the lawn mower and wait for the cutting blade to come to a complete stop,  15.2.
- ▶ Position the lawn mower on a level surface.
- ▶ If the side discharge cover is still mounted, remove it.
- ▶ If the mulch insert plug is still mounted, remove it.



- ▶ Open the rear discharge cover (1) and hold it in position.
- ▶ Hold grass bag (2) by its handle (3) and engage the hooks (4) on the rod (5).
- ▶ Close the rear discharge cover.

### 11.2.2 Removing the Grass Bag




To remove the grass bag:

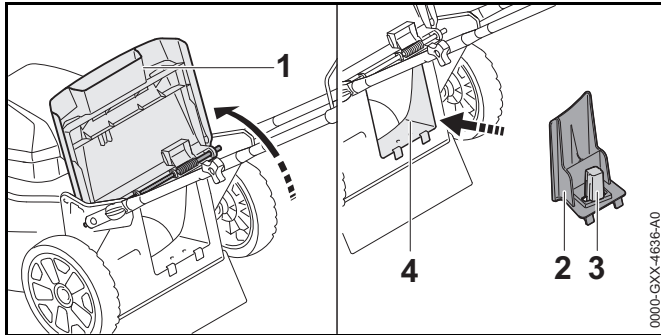
- ▶ Switch off the lawn mower and wait for the cutting blade to come to a complete stop,  15.2.
- ▶ Position the lawn mower on a level surface.
- ▶ Open the rear discharge cover and hold it in position.
- ▶ Hold grass bag by its handle and unhook it upwards.
- ▶ Close the rear discharge cover.

## 11.3 Inserting and Removing the Mulch Insert

### 11.3.1 Installing the Mulch Insert

To install the mulch insert:

- ▶ Switch off the lawn mower,  15.2.
- ▶ Remove the fuse key and battery,  13.2 and  14.2.
- ▶ Position the lawn mower on a level surface.



- ▶ Open the rear discharge cover (1) and hold it in position.
- ▶ Hold the mulch insert (2) by the handle (3) and fit it securely in the rear discharge chute (4).
- ▶ Close the rear discharge cover.

### 11.3.2 Removing the Mulch Insert

To remove the mulch insert:

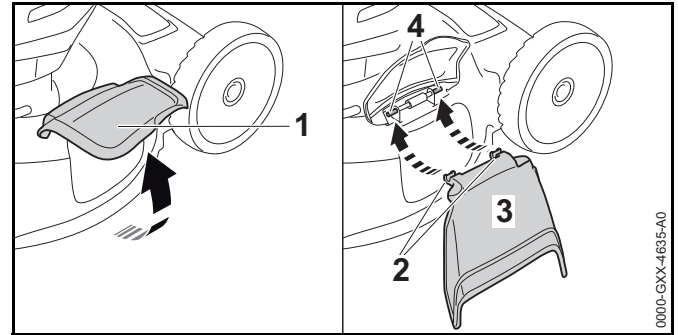
- ▶ Switch off the lawn mower, 15.2.
- ▶ Remove the fuse key and battery, 13.2 and 14.2.
- ▶ Position the lawn mower on a level surface.
- ▶ Open the rear discharge cover and hold it in position.
- ▶ Grip the mulch insert by the handle and take it out of the rear discharge chute.
- ▶ Close the rear discharge cover.

## 11.4 Mounting and Removing the Side Discharge Guide

### 11.4.1 Installing the Side Discharge Guide

To install the side discharge guide:

- ▶ Switch off the lawn mower, 15.2.
- ▶ Remove the fuse key and battery, 13.2 and 14.2.
- ▶ Position the lawn mower on a level surface.



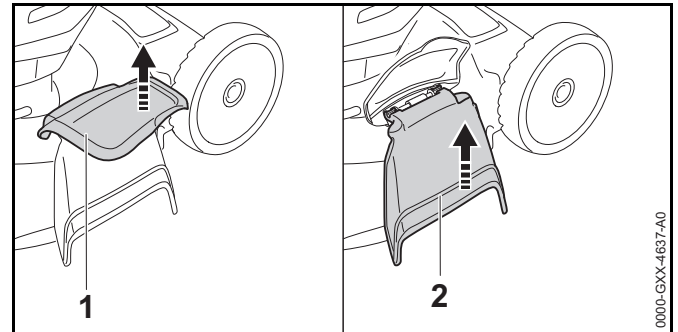
- ▶ Open the side discharge cover (1) and hold it in position.
- ▶ Line up the recesses (2) in the side discharge guide (3) below the pins (4).
- ▶ Close the side discharge cover.

The mulch insert must be mounted when the side discharge guide is installed.

### 11.4.2 Removing the Side Discharge Guide

To remove the side discharge guide:

- ▶ Switch off the lawn mower, 15.2.
- ▶ Remove the fuse key and battery, 13.2 and 14.2.
- ▶ Position the lawn mower on a level surface.



- ▶ Open the side discharge cover (1) and hold it in position.
- ▶ Unhook the side discharge guide (2) upwards.
- ▶ Close the side discharge cover.






## 12 Adjusting the Lawn Mower

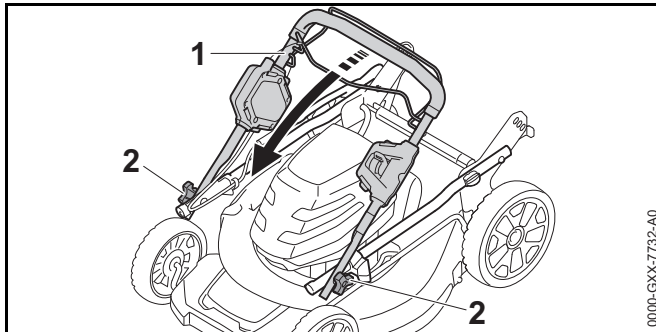
### 12.1 Unfolding and Adjusting the Handle

#### **!** WARNING

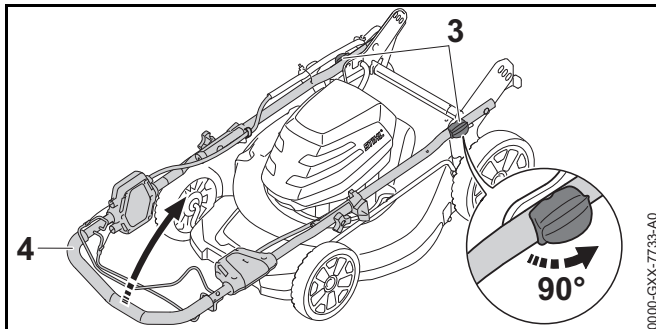
Be sure not to pinch, kink or stress the control cables when folding or unfolding the handle. Damaging the cable could impact the activation and operation of the lawn mower and result in an unsafe operating condition.

To unfold the handle:

- ▶ Switch off the lawn mower,  15.2.
- ▶ Remove the fuse key and battery,  13.2 and  14.2.
- ▶ Position the lawn mower on a level surface.



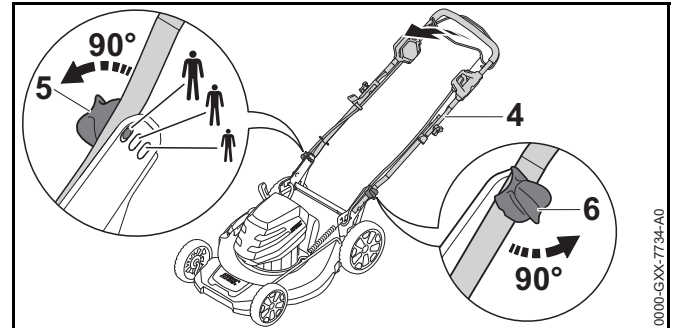
- ▶ Unfold the upper part of the handlebar (1).
- ▶ Tighten down the knobs (2).



- ▶ Rotate the handle knobs (3) 90°.
- ▶ Fully unfold the handle (4).

The handle can be adjusted to suit the height and reach of the operator.

To adjust the handle:






- ▶ Align the handle (4) so that the bolts of the levers (5 and 6) are in alignment with the desired position.
- ▶ Turn both handle knobs 90°. The bolts of both handle knobs engage in the holes at the same position.

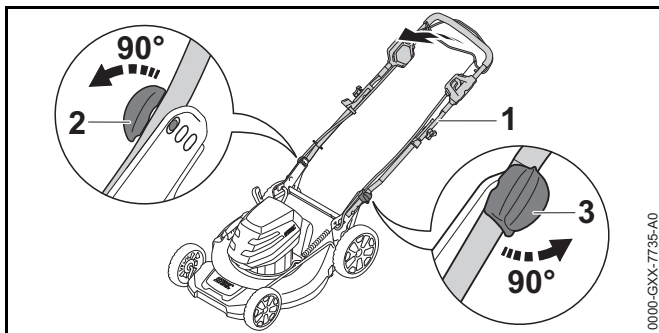
### 12.2 Folding the Handle

#### **!** WARNING

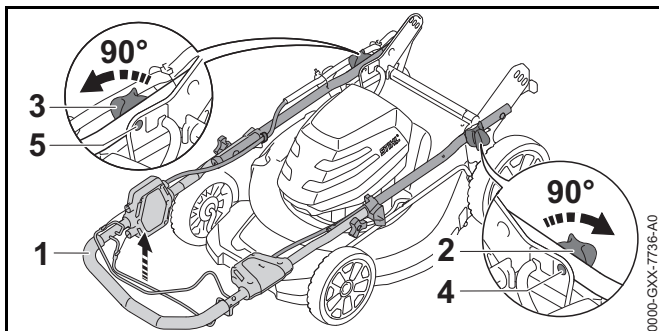
Be sure not to pinch, kink or stress the control cables when folding or unfolding the handle. Damaging the cable could impact the activation and operation of the lawn mower and result in an unsafe operating condition.

To fold the handle:

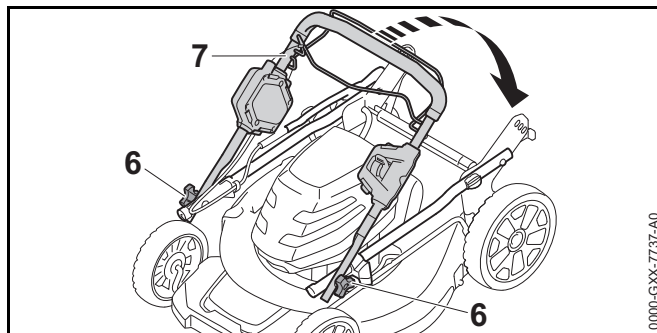
- ▶ Switch off the lawn mower,  15.2.
- ▶ Remove the fuse key and battery,  13.2 and  14.2.
- ▶ Position the lawn mower on a level surface.



- ▶ Hold the handle (1) and turn both handle knobs (2) 90° one after the other.
- ▶ Fold the handle. Make sure not to pinch any cable when folding the handle.



- ▶ Turn both handle knobs (2) 90°.
- ▶ Press the handle (1) upwards until the bolts (4 and 5) of the handle knobs (2 and 3) engage and the handle is securely fixed.



- ▶ Loosen the knobs (6).
- ▶ Fold the upper part (7) of the handle. Make sure not to pinch any cable when pinching the upper part of the handle.

#### NOTICE

Be sure not to pinch, kink or stress the control cables when folding or unfolding the handle. Damaging the cable could impact the activation and operation of the lawn mower.

## 13 Inserting and Removing the Fuse Key

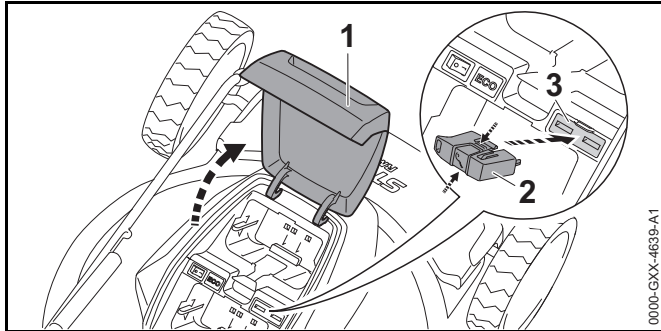
### 13.1 Inserting the Fuse Key

#### ⚠ WARNING

To reduce the risk of severe personal injury from unintended activation, never store the fuse key in the lawn mower. The motor can be started only when the fuse key is inserted.

To insert the fuse key:

- ▶ Place the lawn mower on a level surface.



- ▶ Lift the battery compartment cover (1) and hold it.
- ▶ Squeeze the fuse key (2) and insert the fuse key into the fuse key socket (3) with even, steady pressure until it stops. Inserting the fuse key enables the flow of electrical power from the battery to the motor.
- ▶ Close the battery compartment cover.

### 13.2 Removing the Fuse Key

#### **! WARNING**

To reduce the risk of severe personal injury from unintended activation, always remove the fuse key and battery before assembling, transporting, adjusting, cleaning, servicing, maintaining or storing the lawn mower and any other time it is not in use.

To remove the fuse key:

- ▶ Switch off the lawn mower, 15.2.
- ▶ Place the lawn mower on a level surface.
- ▶ Lift the battery compartment cover and hold it.
- ▶ Remove the fuse key with even, steady pressure.
- ▶ Close the battery compartment cover.
- ▶ Store the fuse key away from the lawn mower in a safe place that is inaccessible to children and other unauthorized users.

## 14 Inserting and Removing the Battery

### 14.1 Inserting the Battery

#### **! WARNING**

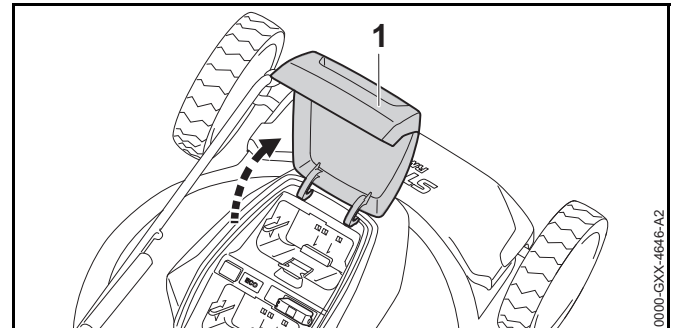
Never use a malfunctioning, damaged, cracked, leaking or deformed battery, 6.1. Never charge, use or store the battery outside the specified ambient temperature limits, 25.3.

#### **! WARNING**

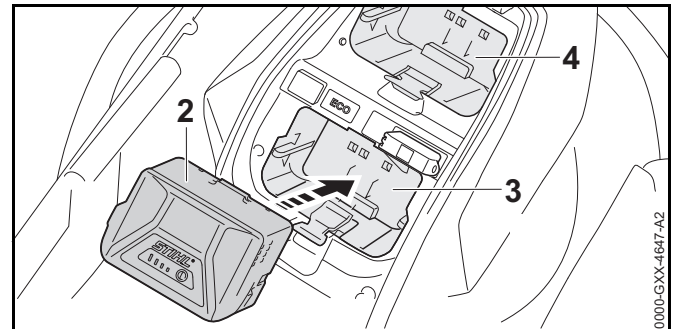
To reduce the risk of unintended activation, never store the battery in the lawn mower, 21.2.

To insert the battery:

- ▶ Place the lawn mower on a level surface.




- ▶ Lift the battery compartment cover (1) and hold it.



- ▶ Insert the battery (2) into the battery compartment (3) until it stops.

The battery is properly inserted when you hear an audible click and the battery is flush with the top of the battery housing. In this position, there is electrical contact between the battery and the lawn mower.

- ▶ If a spare battery is to be carried, insert the spare battery into the spare battery compartment (4).
- ▶ Close the battery compartment cover.

Since a new battery is not fully charged, STIHL recommends that you fully charge the battery before using it the first time,  9.2.

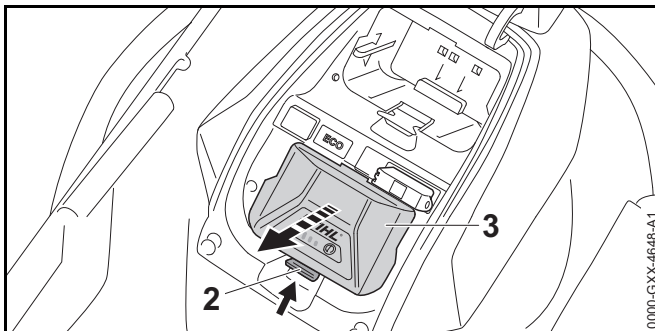
## 14.2 Removing the Battery

### WARNING

To reduce the risk of severe personal injury from unintended activation, always remove the fuse key and battery before assembling, transporting, adjusting, cleaning, servicing, maintaining or storing the lawn mower, and any other time it is not in use.

To remove the battery:

- ▶ Place the lawn mower on a level surface.
- ▶ Lift the battery compartment cover and hold it.



- ▶ Press down on the locking lever (2) to eject the battery (3) from the battery compartment.
- ▶ Close the battery compartment cover.


### NOTICE

Avoid exposing the battery to excessive heat or prolonged periods of direct sunlight. Use or storage outside the recommended ambient temperature range can reduce the performance of the battery.




## 15 Switching the Lawn Mower On and Off

### 15.1 Switching On

#### WARNING

To reduce the risk of serious or fatal injuries to the operator or bystanders, keep hands, feet and other parts of the body away from the mowing blade,  5.7.2. Do not touch the mowing blade while the fuse key or battery is inserted.

#### WARNING

Never operate your lawn mower if it is damaged, improperly adjusted or maintained, not completely and securely assembled or not functioning properly,  5.6. To reduce the risk of personal injury, always wear proper clothing and protective apparel, including proper eye protection,  5.5. To reduce the risk of serious or fatal injury from loss of control, always hold the lawn mower with both hands when you are working,  5.7.2.

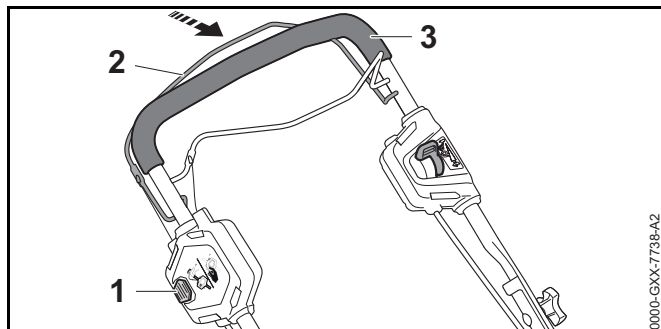
### NOTICE

To reduce the risk of thermal overload to the motor and damage to the mower, do not switch on the mower in high grass.

Before switching on:

- ▶ Make sure you have a secure and firm footing.
- ▶ Stand upright.
- ▶ Always hold and operate the lawn mower with two hands.

To switch the lawn mower on:



- ▶ Press in the switch lever lockout (1) with your right hand and hold it there.
- ▶ Pull the switch lever (2) towards the handle (3) with your left hand and hold it. The mowing blade will start moving.
- ▶ Release the switch lever lockout.

The motor will not switch on unless the switch lever lockout is pressed and the switch lever is pulled at the same time.

## 15.2 Switching Off

### **⚠ WARNING**

The mowing blade will continue to move for a short while after the switch lever is released. To avoid serious or fatal injury, avoid contact with the moving mowing blade. To reduce the risk of personal injury from unintended activation or unauthorized use, switch off the motor, ensure the mowing blade has stopped and remove the fuse key and battery before transporting the unit.

To switch the lawn mower off:

- ▶ Release the switch lever.

The mowing blade will continue to move for a short time after the switch lever is released. Take care to avoid contact after releasing the switch lever and when setting down the lawn mower.

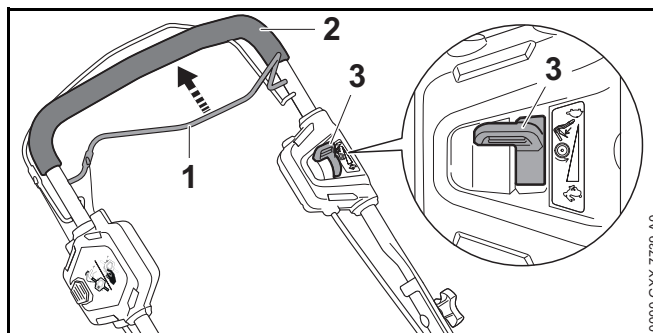
## 16 Activating and Deactivating Drive System

### 16.1 Activating Drive System

Self-propel speed of the lawn mower can be continuously adjusted from 0.6 mph to 2.8 mph (1 km/h to 4.5 km/h).

If the speed lever is set to the position, the lawnmower moves at the highest speed. If the speed lever is set to the position, the lawnmower moves at the lowest speed.

To activate drive system:



- ▶ Pull the self-propel lever (1) completely in the direction of the handle (2) and hold it. The lawn mower will start moving forward.
- ▶ Set the speed lever (3) to the slowest setting and then adjust the self-propel speed to reach the desired pace.

Generally, battery life will be shorter when operating continuously at the higher speed levels.

### 16.2 Deactivating Drive System

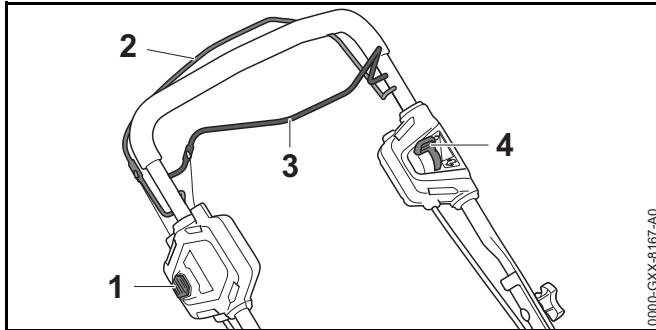
To deactivate drive system:

- ▶ Release the self-propel lever.
- ▶ Wait until the mower stops moving.

## 17 Checking the Lawn Mower

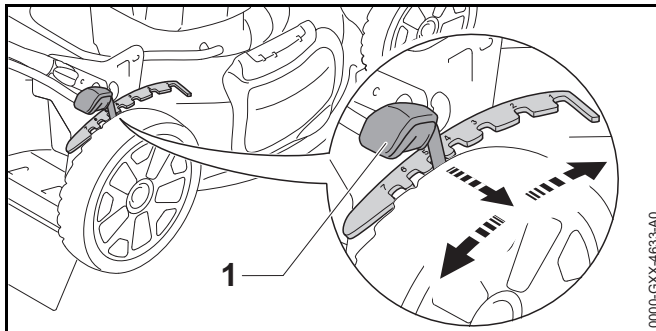
### 17.1 Testing the Controls

Before starting work, confirm that the switch lever lockout (1), switch lever (3), self-propel lever (2) and speed lever (4) are undamaged and functioning properly.



## 18 During Operation

### 18.1 Adjusting the Cutting Height



To adjust the cutting height:

- ▶ Pull the cutting height adjustment lever (1) out of the recess and set it to the selected position. A marking indicates the selected cutting height.

8 different cutting heights can be selected:

- Position 1: 0.98 in. (25 mm)
- Position 2: 1.34 in. (34 mm)
- Position 3: 1.73 in. (44 mm)
- Position 4: 2.13 in. (54 mm)
- Position 5: 2.52 in. (64 mm)
- Position 6: 3.0 in. (76 mm)
- Position 7: 3.46 in. (88 mm)
- Position 8: 3.94 in. (100 mm)

#### **NOTICE**

To reduce the risk of damaging the lawn mower, never attempt to lift, carry or transport the lawn mower by the cutting height adjustment lever.

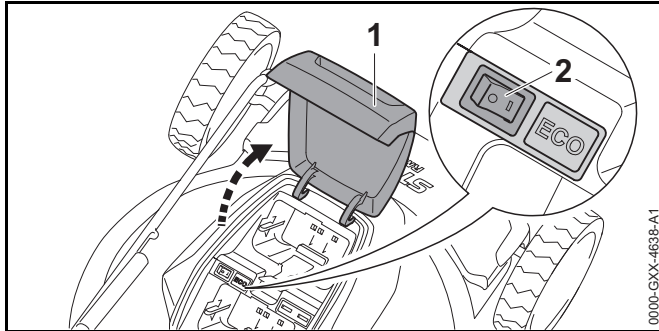
#### **NOTICE**

To avoid overloading the motor, avoid setting the cutting height too low in tall grass. If the motor speed begins to slow, raise the cutting height.

### 18.2 Activating ECO Mode

When the ECO mode is selected, the mower operates at a lower RPM for situations requiring less power. This increases energy efficiency and battery runtime.

To activate ECO mode:



- ▶ Lift the battery compartment cover (1) and hold it.
- ▶ Set the ECO switch (2) to position I.
- ▶ Close the battery compartment cover.

To deactivate ECO mode:

- ▶ Lift the battery compartment cover and hold it.
- ▶ Set the ECO switch to position 0.
- ▶ Close the battery compartment cover.

### 18.3 Mowing and Mulching

#### **⚠ WARNING**

Always wear proper clothing and protective apparel, including proper eye protection, when operating your lawn mower, [§ 5.5](#). Keep bystanders at least 50 ft. (15 m) away from the work area, [§ 5.7.4](#). Work carefully and maintain proper control of the lawn mower, [§ 5.7.2](#).

#### **⚠ WARNING**

To reduce the risk of serious or fatal injuries to the operator or bystanders, keep hands, feet and other parts of the body away from the mowing blade, [§ 5.7.2](#). Do not touch the mowing blade while the fuse key and battery are inserted. Never touch the moving mowing blade with your hand or any part of your body, [§ 5.7.4](#).



- ▶ If using the drive system, drive the lawn mower forward in a controlled manner, keeping two hands on the unit at all times.
- ▶ If not using the drive system, push the lawn mower forward slowly, keeping two hands on the unit at all times.

For optimum performance, observe the recommended ambient temperature ranges, [§ 25.4](#).

Observe all applicable laws, regulations, standards and ordinances.

#### **Mulching**

In the mulching mode, the grass clippings are recirculated in the air-stream, re-cut several times into small particles and then blown back onto the lawn. The fine particles remain on the lawn surface where they decompose quickly and serve

as a natural fertilizer. Frequent mulching contributes to a beautiful, dense lawn. One third of the grass height should be cut in this process.

For effective mulching, STIHL recommends the following

- Reducing the mowing speed,
- Varying mowing direction and overlap the cuts,
- Mowing very high grass in gradual stages.





## 19 After Finishing Work

### 19.1 Preparing for Transportation or Storage

#### **!** WARNING

To reduce the risk of personal injury from unintended activation or unauthorized use, switch off the motor, ensure the mowing blade has stopped and remove the fuse key and battery before transporting the lawn mower.

To prepare the lawn mower for transportation or storage:

- ▶ Switch off the lawn mower,  15.2.
- ▶ Remove the fuse key and battery,  13.2 and  14.2.
- ▶ If the battery or lawn mower became damp or wet during operation, allow them to dry separately and completely before charging or storing,  25.4.



## 20 Transporting the Lawn Mower and Battery

### 20.1 Lawn Mower

#### **!** WARNING

To reduce the risk of personal injury from unintended activation, never lift or carry the lawn mower by hand with the fuse key and battery inserted.

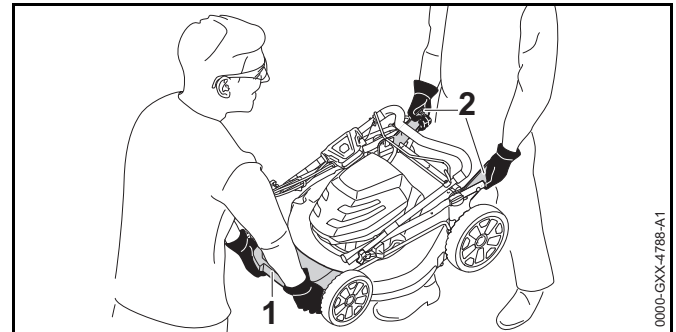
#### **!** WARNING

To reduce the risk of injury from loss of control and blade contact, never carry or transport your lawn mower with the mowing blade moving,  5.7.4. Ensure the mowing blade has stopped before lifting or carrying the lawn mower,  5.7.4.

To transport the lawn mower:

- ▶ Push the lawn mower forward slowly and in a controlled manner or drive the lawn mower using the drive system.
- ▶ When transporting the lawn mower in a vehicle, secure and position the lawn mower to prevent turnover, impact and damage. Use ropes or straps to secure the handles.

When transporting the lawn mower by hand:




- ▶ Use two persons.
- ▶ Hold the cover with both hands (1).
- ▶ Hold the left bracket (2) with the left hand and the right bracket with the right hand.
- ▶ Always wear heavy-duty non-slip work gloves made of leather or another wear-resistant material.



## 20.2 Battery

### WARNING

To reduce the risk of a short circuit, which could lead to electric shock, fire and explosion, never transport the battery with small metal objects capable of conducting electricity (e.g., paper clips, nails, coins, keys),  6.

When transporting the battery:

- ▶ Secure the battery in a container against impact or damage. Never transport the battery with small metal objects capable of conducting electricity (e.g., paper clips, nails, coins, keys).
- ▶ If you are transporting the battery in a vehicle, secure it and its container to prevent turnover, impact and damage.

STIHL batteries comply with the requirements set forth in UN-Manual of Tests and Criteria, Part III, Subsection 38.3.

Commercial air, vessel and ground transportation of lithium ion cells and batteries is regulated. The battery is classified as a UN 3480, Class 9, packaging group II product. Shipping it, either as a complete tool or the battery, requires compliance with all applicable shipping regulations. Check with the ground, vessel, air cargo or passenger airline to determine if transport is prohibited or subject to restrictions or exemptions prior to shipping or travel.



Normally, no further conditions have to be met by the user in order to transport STIHL batteries by road to the power tool's operating site. Check and comply with any special regulations that may apply to your situation.

For further information please go to [www.stihl.ca](http://www.stihl.ca).


## 21 Storing the Lawn Mower and Battery

### 21.1 Lawn Mower

#### WARNING



Store the lawn mower indoors in a dry, secure place that cannot be accessed by children or other unauthorized users,  5.7.4. Never store the fuse key or battery in the lawn mower. Improper storage can result in unauthorized use and damage to the lawn mower,  5.7.4.

When storing the lawn mower for thirty days or longer:


- ▶ Clean the lawn mower,  22.
- ▶ Store the lawn mower indoors in a dry and secure location, out of the reach of children and other unauthorized persons.

### 21.2 Battery

#### WARNING

To reduce the risk of a short circuit, which could lead to electric shock, fire and explosion, never store the battery with small metal objects capable of conducting electricity (e.g., paper clips, nails, coins, keys),  6.1. If the battery is damp or wet, allow it to dry thoroughly before storing,  6.1.

#### WARNING

Extreme temperatures can damage the battery and may also cause the battery to generate heat, rupture, leak, ignite or explode, resulting in severe or fatal personal injury or property damage. Never charge, use or store the battery outside the specified ambient temperature limits,  25.3.

To properly store the battery:

- ▶ Remove the battery from the lawn mower.
- ▶ When storing the battery, maintain a charge of 40 % to 60 % (2 green LEDs).
- ▶ If storing the battery in the charger, disconnect the charger from the outlet.

- ▶ Make sure the battery is dry and store it indoors in a dry and secure location.
- ▶ Keep it out of the reach of children and other unauthorized persons.
- ▶ Protect the battery against dampness and corrosive agents such as garden chemicals and de-icing salts.
- ▶ Protect the battery from exposure to conductive liquids such as salt water.
- ▶ For maximum battery life, store the battery at an ambient temperature between 50 °F and 68 °F (10 °C and 20 °C) with a charge between 40 % and 60 % (2 green LEDs).
- ▶ Do not leave spare batteries unused. Use them in rotation.

### NOTICE


A battery that is not stored properly may experience deep discharge, which can result in permanent damage. To avoid deep discharge:

- ▶ Remove the battery from the lawn mower after finishing work.
- ▶ For maximum battery life, store the battery with a charge between 40 % and 60 % (2 green LEDs).
- ▶ If storing the battery in the charger, disconnect the charger from the outlet.
- ▶ For maximum battery life, store the battery at an ambient temperature between 50 °F and 68 °F (10 °C and 20 °C).

## 22 Cleaning

### 22.1 Cleaning the Lawn Mower and Battery

#### ! WARNING

To reduce the risk of personal injury from unintended activation, remove the fuse key and battery before carrying out any cleaning work,  5.7.4. Users of this lawn mower should carry out only the cleaning described in this manual.



#### ! WARNING

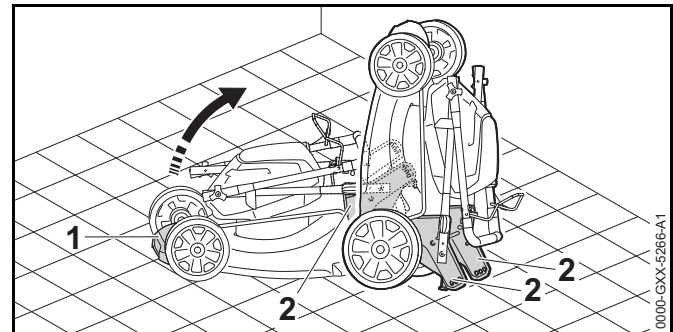
To help prevent injuries, always wear heavy-duty work gloves when handling the mowing blade.

#### NOTICE

Place the lawn mower on a firm and level surface before standing it on end. The lawn mower can topple over while cleaning. To reduce the risk of injury while cleaning, never work directly in front of or behind the unit. Always stand to one side.

To clean the lawn mower and battery:

- ▶ Place the lawn mower on a flat surface.
- ▶ Set the cutting height to position 4,  18.1.
- ▶ Fold down the handle,  12.2.



- ▶ Grip front cover (1) with one hand and the bracket (2) with the other hand.
- ▶ Stand the mower on end with the brackets (2) touching the floor.
- ▶ Clean the lawn mower's polymer components with a slightly dampened cloth. Do not use detergents or solvents. They may damage the polymer components.
- ▶ Clean the mower deck and any openings with a soft brush or a damp cloth.
- ▶ Clean the area around the mowing blade and the mowing blade itself with a wooden stick, soft brush or a damp cloth.

- ▶ Do not use a pressure washer to clean the lawn mower or otherwise spray it with water or other liquids.
- ▶ Keep the battery housing and guides free from foreign matter and clean as necessary with a soft brush or soft, dry cloth.


**NOTICE**

Never spray the lawn mower with water. Spraying it with a stream of water could result in damage to the electronics and other systems.

## 23 Inspection and Maintenance

### 23.1 Inspecting and Maintaining the Lawn Mower

**! WARNING**

To reduce the risk of personal injury from unintended activation, remove the fuse key and battery before inspecting the lawn mower or carrying out any maintenance,  7. Carry out only the maintenance operations described in this manual. There are no user-authorized repairs. STIHL recommends that repair work be performed by authorized STIHL servicing dealers.

Proper maintenance of the lawn mower includes the following activities:

- ▶ Inspecting the mowing blade periodically and replacing it or having it replaced by an authorized STIHL servicing dealer.
- ▶ Periodically sharpening the mowing blade or having it sharpened and balanced by an authorized STIHL servicing dealer.
- ▶ Having worn, missing or damaged safety labels replaced by an authorized STIHL servicing dealer.


If you make a warranty claim for a component which has not been serviced or maintained properly, coverage may be denied.

### 23.2 Inspecting the Mowing Blade






**! WARNING**

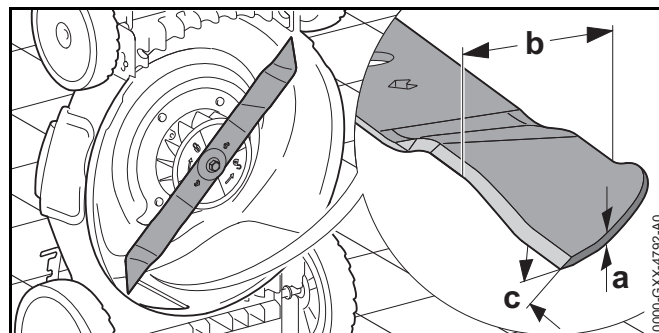
Never use a dull or damaged mowing blade. Working with a dull blade leads to increased vibration, unsatisfactory cutting results and increased wear, in particular if you use the lawn mower on sandy ground or use it frequently under dry conditions. A damaged mowing blade may vibrate, crack, break or come off the lawn mower, which may result in serious or fatal injury or property damage. Make sure the mowing blade is sharp and in good condition before starting work.

**! WARNING**

The mowing blade has sharp edges. If it contacts your flesh, it may cut you, even if it is not moving. Always wear heavy-duty work gloves when inspecting or otherwise handling the mowing blade,  5.5.

To inspect the mowing blade:

- ▶ Switch off the lawn mower,  15.2.
- ▶ Remove the fuse key and battery,  13.2 and  14.2.
- ▶ Place the lawn mower on a flat surface.
- ▶ Set the cutting height to position 4,  18.1.
- ▶ Fold down the handle,  12.2.
- ▶ Stand the mower on end.



- ▶ Use a caliper to check the blade thickness. Blade thickness must be at least  $a = 0.05$  in. (2.0 mm) at its narrowest point.

- ▶ Use a caliper to check the blade width. Blade width must be at least  $b = 1$  in. (45 mm) at its narrowest point.
- ▶ Replace the mowing blade if the measured blade thickness and width are outside the permissible limits.
- ▶ Check the sharpening angle. Sharpen the mowing blade, if the sharpening angle is not  $c = 30^\circ$ .

### 23.3 Sharpening and Balancing the Mowing Blade


#### **⚠ WARNING**

Never use a dull or damaged mowing blade. Working with a dull blade leads to increased physical strain, increased vibration load, unsatisfactory cutting results and increased wear, which can result in loss of control and injury to the operator or bystanders. A damaged mowing blade may vibrate, crack, break or come off the lawn mower, which may result in serious or fatal injury or property damage. Make sure the mowing blade is sharp and in good condition before starting work.


#### **⚠ WARNING**

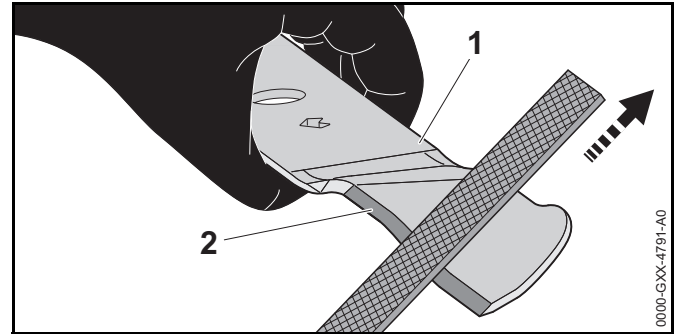
An improperly balanced mowing blade can increase the risk severe personal injury or death. STIHL recommends having your mowing blade sharpened and balanced by an authorized STIHL servicing dealer to reduce the risk of severe or fatal injury.

#### **⚠ WARNING**

The mowing blade has sharp edges. If it contacts your flesh, it may cut you, even if it is not moving. Always wear heavy-duty work gloves when sharpening or otherwise handling the mowing blade,  5.5.

To sharpen the mowing blade:

- ▶ Remove the mowing blade,  23.4.



- ▶ Use a flat file to sharpen a dull mowing blade (1). In case of more serious wear or nicks, resharpen with a grinder or have it sharpened by an authorized STIHL servicing dealer.
- ▶ Guide the file horizontally at a right angle to the side surface (2) in accordance with the specified  $30^\circ$  angle.
- ▶ Lift the file on the backstroke. The file only sharpens on the forward stroke.
- ▶ Turn the mowing blade and sharpen the other side accordingly.

To balance the mowing blade:


- ▶ After resharpening about 5 times, check the mowing blade for out-of-balance on a STIHL balancer (special accessory) or have it checked and rebalanced by an authorized STIHL servicing dealer as necessary.

### 23.4 Replacing the Mowing Blade



#### **⚠ WARNING**

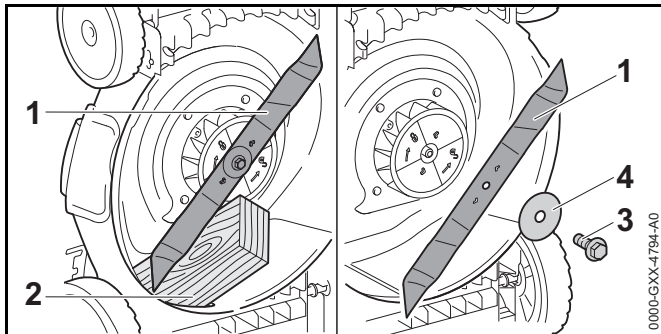
A cracked, damaged or worn out mowing blade may shatter at high speeds and cause serious or fatal injury. To reduce risk of injury from broken parts, check condition of the mowing blade before mounting at regular short intervals thereafter. Do not mount a worn, broken or damaged mowing blade.

## **⚠ WARNING**

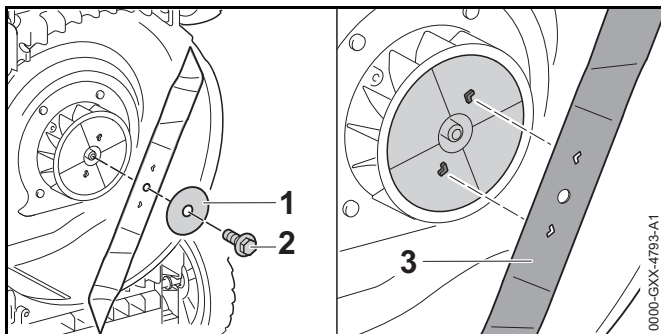
The mowing blade has sharp edges. If it contacts your flesh, it may cut you, even if it is not moving. Always wear heavy-duty work gloves when mounting or otherwise handling the mowing blade,  5.5.

To replace the mowing blade:

- ▶ Set the cutting height to position 4,  18.1.
- ▶ Fold down the handle,  12.2.
- ▶ Stand the mower on end.

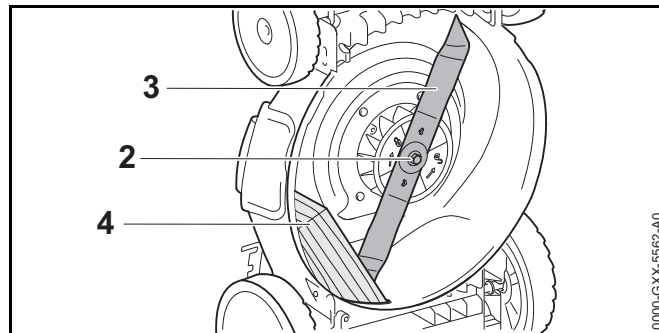


- ▶ Use a piece of wood (2) to block the mowing blade (1).
- ▶ Remove the screw (3).
- ▶ Remove the mowing blade including the washer (4).



- ▶ Fit the washer (1) on the screw (2).
- ▶ Coat the screw with Loctite 243 or Loctite 242.

- ▶ Fit the new mowing blade (3) as depicted above. The retainers must fit into the holes in the mowing blade.












- ▶ Screw in the screw (2) together with the washer.
- ▶ Use a piece of wood (4) to block the mowing blade (3).
- ▶ Firmly tighten down the screw.








## 24 Troubleshooting Guide

### 24.1 Lawn Mower and Battery

Always remove the fuse key and battery before carrying out any inspection, cleaning or maintenance.

Condition	LEDs on Battery	Possible Cause	Remedy
Lawn mower does not start when switched on.		No electrical contact between lawn mower and battery.	<ul style="list-style-type: none"> <li>▶ Remove the battery,  14.2.</li> <li>▶ Visually check the electrical contacts in the battery compartment and on the battery.</li> <li>▶ Reinsert the battery,  14.1.</li> </ul>
	1 LED flashes green.	Battery has low charge.	<ul style="list-style-type: none"> <li>▶ Charge the battery,  9.2.</li> </ul>
	1 LED glows red.	Battery too hot / too cold.	<ul style="list-style-type: none"> <li>▶ Allow the battery to warm up or cool down gradually at ambient temperatures of about 50 °F to 68 °F (10 °C to 20 °C).</li> </ul>
	4 LEDs flash red.	Malfunction in battery.	<ul style="list-style-type: none"> <li>▶ Remove the battery and reinsert it,  14.</li> <li>▶ Switch on the lawn mower,  15.1.</li> <li>▶ If the LEDs continue to flash, do not attempt to use. The battery has a malfunction and must be replaced.</li> </ul>
	3 LEDs glow red.	lawn mower too hot.	<ul style="list-style-type: none"> <li>▶ Allow the lawn mower to cool down.</li> </ul>
	3 LEDs flash red.	Malfunction in lawn mower.	<ul style="list-style-type: none"> <li>▶ Remove the battery and reinsert it,  14</li> <li>▶ Switch on the lawn mower,  15.1.</li> <li>▶ If the LEDs still flash, do not attempt to use. The lawn mower has a malfunction and must be checked by a servicing dealer.</li> </ul>
		Mowing blade is blocked.	<ul style="list-style-type: none"> <li>▶ Increase the cutting height,  18.1.</li> <li>▶ Clean the lawn mower,  22.1.</li> <li>▶ Switch on the lawn mower in lower grass.</li> </ul>

**Always remove the fuse key and battery before carrying out any inspection, cleaning or maintenance.**

Condition	LEDs on Battery	Possible Cause	Remedy
Lawn mower cuts out during operation.	1 LED glows red.	Battery too hot / too cold.	<ul style="list-style-type: none"> <li>▶ Remove the battery,  14.2.</li> <li>▶ Allow the lawn mower and battery to cool down gradually at ambient temperatures of about 50 °F to 68 °F (10 °C to 20 °C).</li> <li>▶ Increase the cutting height,  18.1.</li> <li>▶ Reduce drive system speed,  16.1.</li> <li>▶ Push the mower forward more slowly.</li> </ul>
	3 LEDs glow red.	Lawn mower too hot.	
		Mowing blade is blocked.	
Drive system cannot be activated.		Malfunction in lawn mower.	<ul style="list-style-type: none"> <li>▶ Remove the battery and reinsert it,  14</li> <li>▶ Try to activate self-propel again,  16.1.</li> <li>▶ If self-propel still does not work, do not attempt to use. The lawn mower has a malfunction and must be checked by a servicing dealer.</li> </ul>
Runtime is too short.		Battery not fully charged.	▶ Charge the battery,  9.2.
		Useful life of battery has been reached or exceeded.	▶ Have the battery checked by an authorized STIHL servicing dealer.
Battery is not being charged even though LED on charger glows green.	1 LED glows red.	Battery too hot / too cold.	<ul style="list-style-type: none"> <li>▶ Allow the battery to warm up or cool down gradually at ambient temperatures of about 50 °F to 68 °F (10 °C to 20 °C).</li> <li>▶ Operate the charger indoors in a dry room. For optimum performance, observe the recommended ambient temperature ranges,  25.4.</li> </ul>

## 25 Specifications

### 25.1 Lawn Mower STIHL RMA 460.0 V

- Approved battery types: STIHL AK series
- Weight without battery: 61.7 lbs. (28 kg)
- Maximum grass bag capacity: 15.85 US gals (60 l)
- Cutting width: 18.1 in. (46 cm)
- Mowing blade speed: 3200 rpm
- Mowing blade speed in ECO mode: 2800 rpm
- Self-propel speed: from 0.6 mph to 2.8 mph (1 km/h to 4.5 km/h).

For technical information regarding the STIHL AK series batteries, see the product information accompanying your battery.

For technical information regarding the STIHL AL 101, 301 and 500 series chargers, see the product information accompanying your charger.

Batteries, chargers and other accessories sold separately. Contact your authorized STIHL servicing dealer for pricing and availability.

### 25.2 STIHL AK Series Battery

Approved charger type: STIHL AL 101, AL 301 or AL 500 series.

- Battery technology: Lithium-Ion
- Voltage: 36 V
- Rated capacity in Ah<sup>1</sup>: See rating plate
- Stored energy in Wh<sup>2</sup>: See rating plate
- Weight in kg: See rating plate

<sup>1</sup> Rated capacity calculated pursuant to IEC 61960. Usable energy available to the operator will be less.

<sup>2</sup> The battery is marked with its stored energy as provided by the cell manufacturer. Usable energy available to the operator will be less.

For a complete list of approximate charging times, see [www.stihl.com/charging-times](http://www.stihl.com/charging-times).

For a complete list of approximate battery runtimes, see [www.stihl.com/battery-life](http://www.stihl.com/battery-life).

### 25.3 Ambient Temperature Limits

#### WARNING

Extreme temperatures can damage the battery and may also cause it to generate heat, rupture, leak, ignite or explode, resulting in severe or fatal personal injury or property damage. Never charge, use or store the battery outside the ambient temperature limits specified below.

- ▶ Do not charge the battery below - 4 °F (- 20 °C) or above 122 °F (50 °C).
- ▶ Do not use the lawn mower, battery or charger below - 4 °F (- 20 °C) or above 122 °F (50 °C).
- ▶ Do not store the lawn mower, battery or charger below - 4 °F (- 20 °C) or above 158 °F (70 °C).

### 25.4 Ambient Temperature Recommendations

For optimum performance, observe the following ambient temperature ranges for the lawn mower, battery and charger:

- Charging: 41 °F to 104 °F (5 °C to 40 °C)
- Use: 14 °F to 104 °F (- 10 °C to 40 °C)
- Storage: - 4 °F to 122 °F (- 20 °C to 50 °C)

Charging, using or storing the battery outside the recommended ambient temperature ranges may reduce performance.

If the battery became damp or wet during operation, allow it to dry at least 48 hours at temperatures between 59 °F (15 °C) and 122 °F (50 °C) and relative humidity below 70 % before charging or storing. Higher humidity can extend the drying time.



## 25.5 Symbols on the Lawn Mower and Battery

Symbol	Explanation
V	Volt
Hz	Hertz
A	Ampere
Ah	Ampere hour
W	Watt
Wh	Watt hour
DC	Direct current



Fuse key



Fuse key socket



Switch for ECO mode



Weight of the lawn mower



Highest self-propel speed level




Lowest self-propel speed level



Noise emission level



STIHL products must not be disposed of in the household trash, but only in accordance with local, state and federal laws and regulations and as provided in this manual,  27.



The RBRC seal indicates that STIHL has prepaid for battery recycling.

--- Direct current



Number of cells and stored energy according to cell manufacturer's specification. Usable energy will be less.

## 25.6 Engineering Improvements

STIHL's philosophy is to continually improve all of its products. As a result, engineering changes and improvements are made from time to time. Therefore, some changes, modifications and improvements may not be covered in this manual. If the operating characteristics or the appearance of your machine differs from those described in this manual, please contact your STIHL dealer or the STIHL distributor in your area for assistance.

## 25.7 FCC 15 Compliance Statement and ISED Declarations

This device complies with part 15 of the FCC Rules and to RSS of Industry Canada.

Operation is subject to the following two conditions:

- this device may not cause harmful interference.
- this device must accept any interference received, including interference that may cause undesired operation.

Note: This equipment has been tested and found to comply with the limits for a Class B digital device, pursuant to part 15 of the FCC Rules. These limits are designed to provide reasonable protection against harmful interference in a residential installation. This equipment generates, uses and can radiate radio frequency energy and, if not installed and used in accordance with the instructions, may cause harmful interference to radio communications. However, there is no guarantee that interference will not occur in a particular installation.

If this equipment does cause harmful interference to radio or television reception, which can be determined by turning the equipment off and on, the user is encouraged to try to

correct the interference by one or more of the following measures:


- reorient or relocate the receiving antenna,
- increase the separation between the equipment and receiver,
- connect the equipment into an outlet on a circuit different from that to which the receiver is connected,
- consult an authorized STIHL servicing dealer or an experienced radio/TV technician for help.

Do not change or modify this product in any way unless specifically allowed in this manual, since this could void your authority to operate it.

This Class B digital apparatus complies with Canadian ICES-003.

## 26 Replacement Parts and Equipment

### 26.1 Genuine STIHL Replacement Parts

STIHL recommends the use of genuine STIHL replacement parts. Genuine STIHL parts can be identified by the STIHL part number, the **STIHL** logo and, in some cases, by the STIHL parts symbol . The symbol may appear alone on small parts.

## 27 Disposal

### 27.1 Disposal of the Power Tool

STIHL products must not be thrown in household trash or disposed of except as outlined in this manual.

- ▶ Take the power tool, accessories and packaging to an approved disposal site for environmentally friendly recycling.
- ▶ Contact your authorized STIHL servicing dealer for the latest information on disposal and recycling.

### 27.2 Battery Recycling

#### **WARNING**

Handle discharged/depleted batteries carefully. Even if believed to be discharged, lithium ion batteries may never totally discharge and still may deliver a dangerous short circuit current. If damaged or exposed to extreme temperatures, they may leak, generate heat, catch fire or explode.

- ▶ Observe all federal, state and local disposal rules and regulations.
- ▶ Contact your authorized STIHL servicing dealer for the latest information on waste disposal.
- ▶ Recycle depleted batteries promptly.
- ▶ Keep batteries away from children. Do not disassemble and do not dispose of in fire.



STIHL is committed to the development of products that are environmentally responsible. This commitment does not stop when the product leaves the authorized STIHL servicing dealer. STIHL has partnered with the RBRC (Rechargeable Battery Recycling Corporation) to promote the collection and recycling of spent STIHL lithium ion batteries in the United States and Canada.

The RBRC seal indicates that STIHL has prepaid for battery recycling. RBRC has a toll free phone number (1-800-822-8837) that connects you to information on battery recycling locations and information on battery disposal bans or restrictions in your area. You can also return your spent battery to any authorized STIHL servicing dealer for recycling free of charge.

## 28 Addresses

### 28.1 STIHL Limited

STIHL Limited  
1515 Sise Road  
London, ON. N6A 4L6  
CANADA

## Table des matières

<b>1</b>	<b>Préface</b>	<b>43</b>	<b>11</b>	<b>Assemblage de la tondeuse à gazon</b>	<b>64</b>
<b>2</b>	<b>Indications concernant la présente Notice d'emploi</b>	<b>43</b>	11.1	Montage de la poignée	64
2.1	Mots de signalement	43	11.2	Montage et retrait du sac à herbe	64
2.2	Symboles employés dans le texte	44	11.3	Insertion et retrait de l'élément de paillage	65
<b>3</b>	<b>Principales pièces</b>	<b>44</b>	11.4	Montage et retrait du guide de décharge latéral	65
3.1	Tondeuse et batterie	44	<b>12</b>	<b>Réglage de la tondeuse à gazon</b>	<b>66</b>
<b>4</b>	<b>Symboles de sécurité sur les produits</b>	<b>45</b>	12.1	Déplier et ajuster la poignée	66
4.1	Tondeuse à gazon	45	12.2	Pliage de la poignée	67
4.2	Batterie	46	<b>13</b>	<b>Insertion et retrait de la clé de fusible</b>	<b>68</b>
<b>5</b>	<b>CONSIGNES DE SÉCURITÉ IMPORTANTES</b>	<b>47</b>	13.1	Insertion de la clé de fusible	68
5.1	Avertissements et instructions de sécurité générales	47	13.2	Retrait de la clé de fusible	68
5.2	Avertissements et consignes d'ordre général sur la sécurité des produits à batterie	48	<b>14</b>	<b>Insertion et retrait de la batterie</b>	<b>69</b>
5.3	Utilisation prévue	49	14.1	Mise en place de la batterie	69
5.4	Utilisateur	49	14.2	Dépose de la batterie	69
5.5	Équipement de protection individuelle	49	<b>15</b>	<b>Mise en marche et arrêt de la tondeuse à gazon</b>	<b>70</b>
5.6	Tondeuse	50	15.1	Mise en marche	70
5.7	Utilisation de la tondeuse à gazon	51	15.2	Mise à l'arrêt	71
<b>6</b>	<b>Sécurité de la batterie</b>	<b>58</b>	<b>16</b>	<b>Activation et désactivation du système d'entraînement</b>	<b>71</b>
6.1	Avertissements et consignes	58	16.1	Activation du système d'entraînement	71
<b>7</b>	<b>Maintenance, réparation et rangement</b>	<b>60</b>	16.2	Désactivation du système d'entraînement	71
7.1	Avertissements et instructions	60	<b>17</b>	<b>Vérification de la tondeuse à gazon</b>	<b>71</b>
<b>8</b>	<b>Avant d'entreprendre le travail</b>	<b>61</b>	17.1	Vérification des commandes	71
8.1	Préparation de la tondeuse	61	<b>18</b>	<b>Pendant l'utilisation</b>	<b>72</b>
<b>9</b>	<b>Recharge de la batterie</b>	<b>61</b>	18.1	Réglage de la hauteur de coupe	72
9.1	Mise en place du chargeur	61	18.2	Activation du mode ECO	72
9.2	Recharge	62	18.3	Tonte et mulching	73
9.3	Montage du chargeur sur un mur	63	<b>19</b>	<b>Après avoir terminé le travail</b>	<b>74</b>
<b>10</b>	<b>Diagnostic à l'aide des DEL</b>	<b>63</b>	19.1	Préparation au transport ou au remisage	74
10.1	DEL sur la batterie	63	<b>20</b>	<b>Transport de la tondeuse à gazon et de la batterie</b>	<b>74</b>
			20.1	Tondeuse	74
			20.2	Batterie	75

La présente Notice d'emploi est protégée par des droits d'auteur. Tous droits réservés, en particulier tout droit de copie, de traduction et de traitement avec des systèmes électroniques quelconques.

<b>21 Stockage de la tondeuse à gazon et de la batterie</b> . . .	<b>75</b>
21.1 Tondeuse . . . . .	75
21.2 Batterie . . . . .	75
<b>22 Nettoyage</b> . . . . .	<b>76</b>
22.1 Nettoyage de la tondeuse et de la batterie . . . . .	76
<b>23 Inspection et maintenance</b> . . . . .	<b>77</b>
23.1 Inspection et entretien de la tondeuse à gazon . . . . .	77
23.2 Inspection de la lame de tonte . . . . .	77
23.3 Aiguisage et équilibrage de la lame de tonte . . . . .	78
23.4 Remplacement de la lame de tonte . . . . .	79
<b>24 Guide de dépannage</b> . . . . .	<b>81</b>
24.1 Tondeuse et batterie . . . . .	81
<b>25 Spécifications</b> . . . . .	<b>83</b>
25.1 Tondeuse STIHL RMA 460.0 V . . . . .	83
25.2 Batterie STIHL série AK . . . . .	83
25.3 Limites de température ambiante . . . . .	83
25.4 Recommandations concernant la température ambiante . . . . .	83
25.5 Symboles sur la tondeuse à gazon et la batterie . . . . .	84
25.6 Améliorations technologiques . . . . .	84
25.7 Déclaration de conformité FCC 15 et déclarations ISED . . . . .	84
<b>26 Pièces de rechange et équipement</b> . . . . .	<b>86</b>
26.1 Pièces de rechange originales STIHL . . . . .	86
<b>27 Élimination</b> . . . . .	<b>86</b>
27.1 Mise au rebut de l'outil électrique . . . . .	86
27.2 Recyclage de la batterie . . . . .	86
<b>28 Adresses</b> . . . . .	<b>86</b>
28.1 STIHL Limited . . . . .	86

## 1 Préface

Merci pour votre achat. Les informations de ce manuel contribuent à optimiser les performances de la tondeuse STIHL et à augmenter la satisfaction du client. De plus, la bonne observation des instructions réduit le risque de blessure.

### CONSERVEZ CE MANUEL !



Une tondeuse à gazon est un outil de coupe à grande vitesse de rotation, alimentée par batterie. Il convient donc d'observer les mesures de sécurité spécifiques afin de réduire le risque de blessures.



Lisez attentivement le présent manuel d'utilisation avant d'utiliser la tondeuse et consultez-le régulièrement par la suite. Observez toutes les mesures de sécurité. Une utilisation négligente ou inappropriée de la tondeuse peut entraîner des blessures graves, voire mortelles.

Remettez systématiquement ce manuel d'utilisation lorsque vous louez ou prêtez votre tondeuse. Confiez uniquement la tondeuse à des personnes ayant reçu une formation suffisante et ayant compris les informations contenues dans le présent manuel d'utilisation.

Si vous avez besoin d'informations complémentaires ou si vous ne comprenez pas certaines instructions de ce manuel, consultez le site web [www.stihl.ca](http://www.stihl.ca) ou adressez-vous à un revendeur STIHL agréé.

## 2 Indications concernant la présente Notice d'emploi

### 2.1 Mots de signalement

Ce manuel contient des informations de sécurité qui requièrent une attention particulière de votre part. Ces informations sont introduites par les symboles et les mots de signalement suivants :

**⚠ DANGER**

Indique une situation dangereuse qui, si elle n'est pas évitée, entraînera la mort ou des blessures graves.

**⚠ AVERTISSEMENT**


Indique une situation dangereuse qui, si elle n'est pas évitée, pourrait entraîner la mort ou des blessures graves.

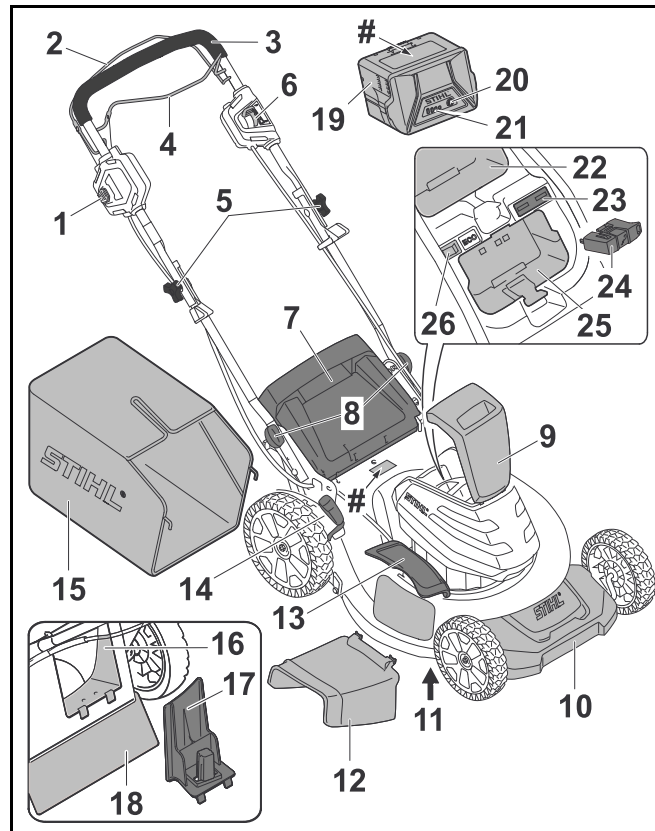
**AVIS**

Indique un risque de dommages matériels, y compris des dommages à la machine ou à ses composants individuels.

**2.2 Symboles employés dans le texte**

Le symbole suivant est inséré dans le texte pour vous faciliter l'utilisation de la présente Notice :

 Ce symbole renvoie au chapitre ou sous-chapitre indiqué, de la présente Notice d'emploi.

**3 Principales pièces****3.1 Tondeuse et batterie****1 Verrouillage d'arceau de commande**

Empêche l'activation de l'arceau de commande tant qu'il n'est pas enfoncé.

**2 Arceau de commande**

Active et désactive la lame de la tondeuse.

**3 Guidon**

Pour contrôler la tondeuse.

- 4 Levier d'entraînement**  
Active le système d'entraînement.
- 5 Molette**  
Permet de plier la partie supérieure du guidon.
- 6 Levier de vitesse**  
Commande la vitesse d'entraînement.
- 7 Cache d'éjection arrière**  
Permet d'empêcher l'herbe coupée d'être éjectée pendant la tonte.
- 8 Bouton du guidon**  
Permet de plier les parties inférieure et supérieure du guidon.
- 9 Cache du compartiment batterie**  
Recouvre et protège le compartiment batterie, le compartiment de rangement de la batterie de rechange, l'interrupteur ECO, la batterie et la clé de sécurité.
- 10 Capot**  
Conçu pour transporter l'unité et couvrir le carter.
- 11 Lame de coupe**  
Lame métallique servant à couper l'herbe et à effectuer le mulching.
- 12 Canal d'éjection latérale**  
Guide l'herbe coupée vers le sol pendant la tonte.
- 13 Cache d'éjection latérale**  
Permet d'empêcher l'herbe coupée d'être éjectée pendant la tonte.
- 14 Levier de réglage de la hauteur de coupe**  
Sert à régler la hauteur de la lame de coupe.
- 15 Bac de ramassage**  
Collecte l'herbe coupée pendant la tonte.
- 16 Canal d'éjection arrière**  
Dirige l'herbe coupée dans le bac de ramassage pendant la tonte.
- 17 Obturateur mulching**  
Empêche l'herbe coupée d'être éjectée vers le canal d'éjection arrière.
- 18 Bouclier de protection**  
Conçu pour réduire le risque de blessures dues à la projection d'objets et/ou à un contact avec la lame.
- 19 Batterie**  
Alimente le moteur en électricité.
- 20 Bouton-poussoir**  
Active les voyants sur la batterie.
- 21 Voyants de la batterie**  
Indiquent l'état de charge de la batterie et affichent les messages d'erreur concernant les éventuels dysfonctionnements de la batterie ou de l'outil électrique.
- 22 Compartiment pour batterie de rechange**  
Contient la batterie de rechange.
- 23 Logement de la clé de sécurité**  
Logement permettant de connecter la clé de sécurité à la tondeuse.
- 24 Clé de sécurité**  
Coupe le circuit entre la batterie et le moteur.
- 25 Compartiment batterie**  
Contient la batterie.
- 26 Interrupteur ECO**  
Active ou désactive le mode ECO.
- # Plaque signalétique**  
Comprend les informations électriques et le numéro de série du produit.

## 4 Symboles de sécurité sur les produits

### 4.1 Tondeuse à gazon

Les symboles de sécurité suivants se trouvent sur la tondeuse à gazon :



Pour réduire le risque de blessure, respectez les consignes de sécurité spécifiées.



Lisez et observez toutes les consignes de sécurité dans le manuel d'utilisation. Une utilisation incorrecte peut causer des blessures graves, voire mortelles, ou des dommages matériels.



Pour réduire tout risque de blessure aux yeux, portez toujours une protection oculaire appropriée, 5.5.



Pour réduire tout risque de blessures ou de dommages matériels résultant d'un court-circuit, d'un incendie ou d'une explosion, gardez la tondeuse à gazon au sec. Protégez-le contre la pluie, l'eau, les liquides et les conditions humides. N'immergez jamais la tondeuse à gazon dans l'eau ou d'autres liquides, 5.6.



Pour réduire tout risque de coupures, gardez les mains, les pieds et les autres parties du corps à distance de la lame de tonte. Ne mettez jamais les mains ou les pieds sous la tondeuse à gazon, notamment pendant qu'elle est en fonctionnement. N'essayez jamais d'enlever des débris ou des débris de la lame de tonte ou des goulottes d'évacuation sans d'abord éteindre la tondeuse et retirer la clé de fusible et la batterie, 5.7.4.



**DANGER** - Gardez les mains et les pieds à l'écart.

Pour réduire les risques de blessures, éloignez les mains et les pieds des pièces en rotation. Ne pas faire fonctionner si les couvercles de décharge ou le sac à herbe ne sont pas bien en place. En cas d'endommagement, remplacez immédiatement les couvercles de décharge, 5.7.4.



La lame de tonte en rotation risque de projeter ou de lancer des objets étrangers directement ou par ricochet. Pour réduire le risque de blessures par des objets projetés, inspectez la zone de tonte et enlevez les pierres, pièces métalliques, bouts de verre, fils et autres objets qui pourraient être projetés par la lame de tonte, 5.7.4.



Pour réduire le risque de blessures corporelles causées par des objets projetés, gardez les spectateurs à une distance d'au moins 50 ft. (15 m) des objets projetés, 5.7.4.



Pour réduire le risque de blessure en cas de perte de contrôle, tondez parallèlement à la pente, jamais vers le haut ou vers le bas. Soyez particulièrement prudent lorsque vous changez de direction dans les pentes, 5.7.4.



Pour réduire tout risque de blessure ou de dommage matériel résultant d'une activation involontaire, retirez la batterie à chaque fois que la tondeuse à gazon n'est pas utilisée, 5.7.

## 4.2 Batterie

Les symboles de sécurité suivants se trouvent sur la batterie de la série AK :




Pour réduire le risque de blessures, respecter les consignes de sécurité indiquées.




Lire et respecter toutes les précautions de sécurité figurant dans le manuel d'utilisation de la batterie et le manuel de l'outil STIHL alimenté par cette batterie. Une utilisation inadéquate peut provoquer des blessures graves ou mortelles, ou des dommages matériels.





Afin de réduire les risques de blessures ou de dommages matériels dus à un incendie, une explosion ou des brûlures, y compris des brûlures chimiques, ne pas démonter, écraser, laisser tomber, endommager ou chauffer la batterie à plus de 100 °C (212 °F). Ne jamais l'exposer au feu ni l'incinérer,  6.1.



Afin de réduire le risque de blessures ou de dommages matériels dus à un court-circuit, un incendie ou une explosion, garder la batterie au sec. La protéger de la pluie, de l'eau, des liquides et des conditions humides. Ne jamais l'immerger dans l'eau ou d'autres liquides,  6.1.

Batteries vendues séparément.

## 5 CONSIGNES DE SÉCURITÉ IMPORTANTES

### 5.1 Avertissements et instructions de sécurité générales

Ce chapitre contient les consignes et instructions de sécurité générales réglementaires pour les tondeuses à gazon électriques. Des avertissements et instructions importants supplémentaires se trouvent dans les sections suivantes du présent manuel.

## AVERTISSEMENT

Lorsque vous utilisez une tondeuse à gazon électrique, il convient de toujours respecter les consignes de sécurité fondamentales afin de réduire le risque d'incendie, d'électrocution et de blessures, ainsi que ce qui suit :

### LISEZ TOUTES LES INSTRUCTIONS AVANT D'UTILISER LA TONDEUSE À GAZON !

- 1) Évitez les environnements dangereux – N'utilisez pas la tondeuse à gazon dans des endroits humides ou mouillés.
- 2) Ne pas utiliser sous la pluie.

- 3) Gardez les enfants à l'écart – Tous les spectateurs doivent se tenir à distance de la zone de travail.
- 4) Habillez-vous de manière appropriée – Ne portez pas de vêtements amples ni de bijoux. Ils peuvent être happés par des éléments en mouvement. Il est recommandé de porter des chaussures épaisses. Ne portez jamais de sandales, de chaussures de tennis, de tongs ou de chaussures similaires et ne marchez jamais pieds nus. Portez des gants de travail robustes (par ex. en cuir ou autre matériau résistant à l'usure) lors du transport de la tondeuse ou des travaux sur la lame de tonte.
- 5) Utilisez des lunettes de protection – Utilisez toujours une visière ou un masque anti-poussière dans un environnement de travail poussiéreux.
- 6) Utilisez le bon appareil - N'utilisez la tondeuse à gazon que pour les travaux auxquels elle est destinée.
- 7) Ne forcez pas la tondeuse à gazon - Elle fera le travail mieux et de façon plus sécuritaire au rythme pour lequel elle a été conçue.
- 8) Ne vous penchez pas outre mesure - Gardez une bonne tenue sur pieds et un bon équilibre à tout moment.
- 9) Restez vigilant – Faites attention à ce que vous faites. Faites preuve de bon sens. N'utilisez pas la tondeuse à gazon lorsque vous êtes fatigué.
- 10) Débranchez la tondeuse à gazon - Débranchez la tondeuse à gazon de l'alimentation électrique en retirant la clé de fusible et la batterie lorsqu'elle n'est pas utilisée, avant l'entretien, lors du remplacement des accessoires tels que les lames, etc.
- 11) Entrez la tondeuse à gazon à l'intérieur - Lorsqu'elle n'est pas utilisée, la tondeuse à gazon doit être entreposée à l'intérieur dans un endroit sec et verrouillé, hors de portée des enfants.
- 12) Entretenez la tondeuse à gazon avec soin - Gardez les bords tranchants propres et tranchants pour une performance optimale et pour réduire les risques de blessures. Suivez les instructions pour la lubrification et le changement d'accessoires. Inspectez périodiquement la tondeuse à gazon et, si elle est endommagée, faites-la réparer par un atelier de réparation agréé.

- 13) Gardez les poignées sèches, propres et exemptes d'huile et de graisse.
- 14) Gardez les protections en place et en bon état de fonctionnement.
- 15) Gardez les couteaux affûtés.
- 16) Gardez les mains et les pieds à distance de la zone de coupe.
- 17) Les objets heurtés par la lame de la tondeuse à gazon peuvent causer de graves blessures aux personnes. La pelouse doit toujours être soigneusement examinée et débarrassée de tout objet avant chaque tonte.
- 18) Si la tondeuse à gazon heurte un corps étranger, procédez comme suit :
  - Arrêtez la tondeuse à gazon. Relâchez le levier de commande
  - Retirez la clé de fusible et la batterie.
  - Vérifiez s'il n'y a pas de dommages.
  - Faites réparer les dommages par un atelier agréé avant de remettre la tondeuse à gazon en marche et de la faire fonctionner.
- 19) N'utilisez que des lames de rechange identiques.

## CONSERVEZ CES INSTRUCTIONS.

### 5.2 Avertissements et consignes d'ordre général sur la sécurité des produits à batterie

La présente rubrique comprend les avertissements et consignes d'ordre général sur la sécurité des produits à batterie figurant dans la norme UL 2595.

## AVERTISSEMENT

Lire l'ensemble des avertissements et consignes sur la sécurité. Le non-respect des avertissements et consignes peut entraîner un choc électrique, un incendie, une explosion et/ou de graves blessures ou d'importants dommages matériels.

- 1) Éviter tout démarrage involontaire. S'assurer que l'arceau de commande est en position d'arrêt avant d'insérer la batterie.
- 2) Déposer la clé de sécurité et la batterie avant de soulever ou de transporter la tondeuse et avant de procéder à des réglages, de changer des accessoires ou de la ranger. Ces mesures préventives de sécurité réduisent le risque de démarrage accidentel de la tondeuse.
- 3) Recharger la batterie uniquement à l'aide du chargeur spécifié par STIHL. Un chargeur compatible pour un type de batterie peut créer un risque d'incendie s'il est utilisé avec une autre batterie.
- 4) Utiliser la tondeuse uniquement avec les batteries prévues à cet effet. L'utilisation de toute autre batterie peut créer un risque d'incendie ou d'explosion ainsi que des blessures ou des dommages matériels.
- 5) Lorsque la batterie n'est pas utilisée, la tenir éloignée d'autres objets métalliques tels que des trombones, des pièces de monnaie, des clés, des clous ou tout autre petits objets métalliques qui peuvent établir une connexion d'une borne à une autre. Ne pas la ranger dans un conteneur en métal. Un court-circuitage des bornes de la batterie peut provoquer des brûlures, un incendie ou une explosion.
- 6) Dans des conditions d'utilisation abusives, du liquide peut être éjecté de la batterie ; éviter tout contact. En cas de contact accidentel, rincer à l'eau. Si du liquide entre en contact avec les yeux, consulter en outre un médecin. Le liquide éjecté de la batterie peut causer des irritations, des brûlures chimiques ou une maladie respiratoire suite à l'inhalation.
- 7) Ne pas utiliser une batterie ou une tondeuse endommagée ou modifiée. Une batterie endommagée ou modifiée peut avoir un comportement imprévisible, entraînant un incendie, une explosion et un risque de blessures ou de dommages matériels.
- 8) Ne pas exposer une batterie ou la tondeuse à un incendie ou à une température excessive. Une exposition à un incendie ou à des températures supérieures à 100° C (212° F) peut provoquer un incendie et une explosion.

- 9) Suivre toutes les consignes de recharge et ne pas charger la batterie à une température ambiante hors de la plage indiquée. Une recharge incorrecte ou en dehors de la plage indiquée peut endommager la batterie et augmenter le risque d'incendie.
- 10) Confier la maintenance à un réparateur qualifié utilisant uniquement des pièces de rechange identiques.

## CONSERVER CES INSTRUCTIONS

### 5.3 Utilisation prévue

## ⚠ AVERTISSEMENT

- Cette tondeuse est conçue pour la tonte manuelle de la pelouse. L'utilisation de la tondeuse pour des opérations autres que celles prévues pourrait entraîner des blessures graves ou la mort.
  - Utiliser cette tondeuse uniquement pour tondre de l'herbe sèche. Ne pas tondre si l'herbe est mouillée.
- Une utilisation incorrecte pourrait provoquer des blessures ou des dommages matériels, dont des dommages sur la tondeuse.
  - N'utiliser la tondeuse et la batterie que de la manière décrite dans le présent manuel.
  - Ne pas tenter de modifier ou de contourner des éléments de commande ou dispositifs de sécurité de la tondeuse de quelque manière que ce soit.
  - Ne jamais utiliser une tondeuse qui a été modifiée ou changée par rapport à sa conception d'origine.
  - Veiller à lire et respecter les avertissements et les consignes concernant votre batterie et votre chargeur avant d'effectuer une recharge ou de commencer à travailler.
- Cet outil électrique ne peut être alimenté que par une batterie STIHL de la série AK.
- La batterie STIHL de la série AK est conçue uniquement pour une utilisation avec des outils électriques STIHL compatibles.

Les batteries, chargeurs et autres accessoires sont vendus séparément.

### 5.4 Utilisateur

## ⚠ AVERTISSEMENT

- Le travail avec la tondeuse peut être fatigant. L'opérateur doit être en bonne condition physique et mentale. Pour réduire tout risque de blessure résultant de la fatigue ou d'une perte de contrôle :
  - Consultez votre médecin avant d'utiliser la tondeuse à gazon si vous avez un problème de santé qui peut être aggravé par un travail pénible.
  - N'utilisez pas la tondeuse à gazon pendant que vous êtes sous l'influence d'une substance quelconque (drogue, alcool, médicaments, etc.) qui peut altérer la vision, l'équilibre, la dextérité ou le jugement.
  - Soyez vigilant. N'utilisez pas la tondeuse à gazon lorsque vous êtes fatigué. Faites une pause lorsque vous vous sentez fatigué.
  - N'autorisez pas les mineurs à utiliser la tondeuse à gazon.
  - Il convient que les spectateurs, notamment les enfants et les animaux, ne soient pas autorisés dans la zone d'utilisation de la tondeuse à gazon.
- D'après les connaissances actuelles de STIHL, le moteur électrique de cette tondeuse à gazon ne devrait pas provoquer d'interférences avec un stimulateur cardiaque.
  - Il convient cependant que les porteurs de stimulateur cardiaque ou d'un autre dispositif médical implanté consultent leur médecin et le fabricant du dispositif avant d'utiliser cette tondeuse à gazon.

### 5.5 Équipement de protection individuelle

## ⚠ AVERTISSEMENT

- La perte de contrôle et les blessures graves par coupure peuvent survenir si les cheveux, les vêtements ou la combinaison entrent en contact avec la lame de tonte de

la tondeuse en mouvement ou s'emmêlent dans les composants de la tondeuse à gazon. Pour réduire les risques de lésion corporelle grave :



- Portez des vêtements robustes et bien ajustés qui offrent également une totale liberté de mouvement.
- Portez des salopettes ou des pantalons en matériau lourd pour protéger vos jambes. Ne portez pas de shorts.

- Évitez les vestes amples, les foulards, les cravates, les pantalons à pattes d'éléphant ou à revers, les bijoux et les autres accessoires qui pourraient rester accrochés aux branches, aux buissons ou les pièces de la tondeuse à gazon en mouvement.

- Attachez les cheveux au-dessus des épaules avant de commencer le travail.

- Pour réduire les risques de lésion oculaire :



- Portez toujours des lunettes protectrices ou des lunettes de sécurité étanches avec protection latérale adéquate qui sont résistantes aux chocs et marqués comme étant conforme à la norme CSA Z94.

- Une bonne tenue sur pieds est très importante. Pour aider à garder une bonne tenue sur pieds et réduire le risque de blessures en travaillant :



- Portez des chaussures conséquentes équipées de semelles antidérapantes. Ne portez pas de sandales, de tongs, de chaussures à bout ouvert ou similaire et n'allez pas pieds nus.

- Pour améliorer votre préhension et aider à protéger vos mains :



- Portez toujours des gants de travail robustes en cuir antidérapants ou en un autre matériau résistant à l'usure lors de la manipulation de la tondeuse à gazon ou de sa lame de tonte.

## 5.6 Tondeuse

### ⚠ AVERTISSEMENT

- Tout contact avec la lame de coupe en mouvement entraînera de graves blessures par lacérations. Pour réduire le risque de telles blessures :
  - Tenir les mains, les pieds et les autres parties du corps éloignés de la lame de coupe.
  - Ne jamais toucher la lame de coupe en mouvement avec la main ou toute autre partie du corps.

- Pour réduire le risque de choc électrique :



- Ne pas exposer la tondeuse à la pluie, à l'eau ou à une humidité excessive.
- Ne jamais immerger la tondeuse dans l'eau ou d'autres liquides.
- Ne pas laisser la tondeuse à l'extérieur sous la pluie.
- Ranger la tondeuse à l'intérieur.

- Tout contact avec la lame de coupe en mouvement entraînera de graves blessures par lacérations. Pour réduire le risque de telles blessures :
  - Tenir les mains, les pieds et les autres parties du corps éloignés de la lame de coupe.
  - Ne jamais toucher la lame de coupe en mouvement avec la main ou toute autre partie du corps.


- Pour réduire le risque de blessures de l'utilisateur et des personnes alentour :



- Toujours déverrouiller l'arceau de commande, déposer la clé de sécurité et la batterie avant de monter, de transporter, de régler, d'inspecter, de nettoyer, d'entretenir ou d'entreposer la tondeuse, et chaque fois qu'elle n'est pas utilisée.

- Bien que certains accessoires ou équipements non homologués puissent s'adapter sur les tondeuses STIHL, leur utilisation peut augmenter le risque de blessures. Seuls les accessoires et équipements fournis par STIHL

ou expressément autorisés par STIHL pour une utilisation avec ce modèle spécifique de tondeuse sont recommandés.

- Utiliser exclusivement des équipements fournis ou expressément autorisés par STIHL.
  - Ne jamais modifier cette tondeuse ou son logiciel de quelque manière que ce soit.
  - Ne pas tenter de modifier ou de contourner des éléments de commande ou dispositifs de sécurité de la tondeuse de quelque manière que ce soit.
  - L'interrupteur et les dispositifs de sécurité montés dans la tondeuse ne doivent pas être retirés ou contournés. En particulier, ne jamais fixer l'arceau de commande à la poignée (p. ex. en l'attachant).
  - Ne jamais utiliser une tondeuse qui a été modifiée ou changée par rapport à sa conception d'origine.
- Si l'on fait tomber la tondeuse ou si elle est soumise à des chocs violents similaires :
- Vérifier qu'il n'est pas endommagé, qu'il est en bon état et fonctionne correctement avant de reprendre la tonte.
  - Vérifier le bon fonctionnement des éléments de commande et des dispositifs de sécurité.
  - Vérifier si les voyants indiquent des messages d'erreur,  10.1.2.
  - Vérifier que la batterie n'est pas endommagée. Ne jamais utiliser, ni recharger une batterie défectueuse, endommagée, fissurée, déformée ou présentant des fuites.
  - Ne jamais utiliser une tondeuse ou une batterie endommagée ou présentant un dysfonctionnement. En cas de doute, faire contrôler la tondeuse et la batterie par un revendeur réparateur STIHL agréé.
- Si la tondeuse ou la batterie est endommagée, ne fonctionne pas correctement, a été laissée dehors et exposée à la pluie ou à des conditions humides ou a été immergée dans de l'eau ou d'autres liquides, il se peut

que ses composants ne fonctionnent plus correctement et les dispositifs de sécurité soient inopérants. Pour réduire le risque de blessures et de dommages matériels :


- Confier la tondeuse et la batterie à un revendeur réparateur STIHL agréé pour le faire contrôler avant toute utilisation.
- Les pièces de rechange STIHL d'origine sont conçues spécifiquement pour votre tondeuse et répondent aux exigences de sécurité et de performance. L'utilisation de pièces non autorisées ou non homologuées par STIHL peut provoquer des blessures graves ou mortelles ou des dommages matériels.
- STIHL recommande d'utiliser uniquement des pièces de remplacement STIHL identiques.

## 5.7 Utilisation de la tondeuse à gazon

### 5.7.1 Avant utilisation

## AVERTISSEMENT


- Une utilisation inappropriée ou non autorisée peut entraîner des blessures et des dommages matériels.
  - Utiliser exclusivement la tondeuse conformément à la description de ce manuel d'utilisation.
- Les mineurs ne doivent pas être autorisés à utiliser cet outil électrique. Les personnes se trouvant à proximité, en particulier les enfants, et les animaux, doivent être éloignés de la zone de travail. Si l'utilisateur n'est pas conscient de la présence d'enfants, des accidents peuvent se produire. Les enfants sont souvent fascinés par les machines et les travaux de tonte. Ne jamais supposer qu'un enfant se trouve encore à l'endroit où il a été vu pour la dernière fois. Les enfants doivent être surveillés par un adulte responsable, autre que l'utilisateur. Faire preuve d'une prudence particulière à l'approche d'angles morts, d'arbustes, d'arbres ou d'autres objets susceptibles de masquer la vue d'un enfant.

- L'utilisation d'une tondeuse modifiée, défectueuse, mal réglée ou entretenue, ou qui n'est pas complètement et solidement montée, peut entraîner un dysfonctionnement et augmenter le risque de blessures graves, voire mortelles.
  - Ne jamais utiliser une tondeuse qui a été modifiée, endommagée, mal entretenue ou qui n'a pas été complètement et solidement montée.
  - Avant de tondre, toujours vérifier que la tondeuse est en parfait état et qu'elle fonctionne correctement. Cela vaut surtout pour le levier de commande et son dispositif de blocage. Effectuer un contrôle visuel de la lame de coupe.
  - S'assurer que le levier de commande et son dispositif de blocage peuvent bouger librement et qu'ils reviennent en position de verrouillage lorsqu'ils sont relâchés. Le levier de commande ne doit pas être actionné tant que son dispositif de blocage n'a pas été activé.
  - Ne pas sursolliciter ni modifier les éléments de commande et les dispositifs de sécurité.
  - Si la tondeuse ou l'un de ses composants est défectueux ou ne fonctionne pas correctement, il doit être vérifié par un revendeur STIHL agréé. Ne réutiliser la tondeuse que lorsque le problème a été résolu.
- Ne jamais utiliser la tondeuse avec un bac de ramassage endommagé.
  - Inspecter régulièrement le bac de ramassage et le remplacer par une pièce de rechange homologuée s'il présente des signes d'usure ou de vieillissement.
- Avant la mise en place de la batterie :
  - Vérifier l'absence de corrosion et de corps étrangers sur les contacts du compartiment batterie et les maintenir propres.
  - Les batteries présentant des dysfonctionnements ou des dommages, fissurées, non étanches ou déformées, ne doivent pas être utilisées ni rechargées.
- Lire et observer toutes les instructions de mise en marche de la tondeuse,  15.1.
- Procéder comme suit pour réduire le risque de blessures graves, voire mortelles, dues à un démarrage involontaire :
  - S'assurer que le levier de commande et son dispositif de blocage sont en position OFF avant d'insérer la batterie.
  - Ne pas toucher le levier de commande ni son dispositif de blocage en saisissant la poignée de la tondeuse.
  - Relâcher le levier de commande et son dispositif de blocage avant de retirer la batterie.



- Retirer la clé de sécurité et la batterie avant d'assembler, de transporter, de régler, d'inspecter, de nettoyer, d'entretenir, de réparer ou de ranger la tondeuse ou lorsqu'elle n'est pas utilisée.

- Ne jamais laisser la tondeuse sans surveillance lorsque la batterie est en place.
- Ne jamais stocker la batterie dans la tondeuse.

- Avant de mettre la tondeuse en marche, réduire avec les étapes suivantes le risque de blessures dues à des objets projetés vers le haut, à une perte de contrôle ou à un contact accidentel avec la lame de coupe :
  - La lame de coupe doit être suffisamment éloignée de l'utilisateur et des autres obstacles et objets (y compris du sol).
  - Lire et observer toutes les instructions de mise en marche de la tondeuse,  15.1.

## DANGER

- Les mesures suivantes réduisent le risque d'électrocution :

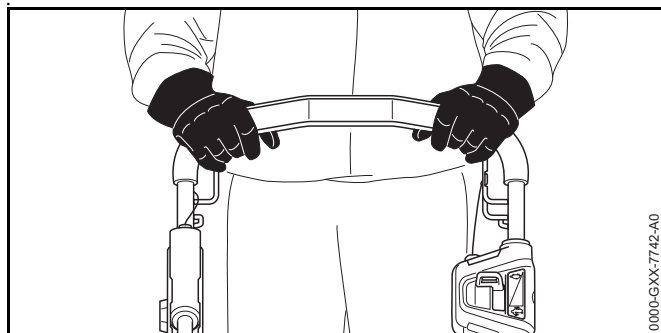


- Ne pas utiliser cette tondeuse à proximité de câbles qui peuvent être conducteurs d'électricité.
- L'isolement de la tondeuse ne protège pas contre les électrocutions dans toutes les situations.

### 5.7.2 Tenue et contrôle de la tondeuse

## ⚠ AVERTISSEMENT

- Pour maintenir fermement et contrôler correctement votre tondeuse :
  - Utiliser la tondeuse en marchant à tout moment. Ne jamais courir.
  - Maintenir guidons et poignées propres et secs en toutes circonstances. Veiller à ce qu'ils soient exempts d'humidité, de poix, d'huile, de graisse et de résine.
- L'utilisation de la tondeuse avec une seule main peuvent entraîner une perte de contrôle et est extrêmement dangereuse. Pour réduire le risque de blessures graves ou mortelles sur l'utilisateur ou des personnes alentour suite à une perte de contrôle :
  - Ne jamais essayer d'utiliser la tondeuse d'une main.



0000-GXX-7742-A0

- Pour réduire le risque de blessures graves ou mortelles sur l'utilisateur ou des personnes alentour suite à une perte de contrôle :
  - Toujours tenir la tondeuse fermement des deux mains pendant l'utilisation.
  - Placer les doigts fermement autour du guidon, en gardant le guidon, l'interrupteur et le levier d'entraînement au creux de votre pouce et de votre index (voir la figure).
  - Activer la fonction d'entraînement après avoir mis en marche la tondeuse.
  - Ne pas utiliser la tondeuse pour transporter des personnes ou des objets.
  - Ne pas attacher d'objets au guidon.
- Pour réduire le risque de blessures graves ou mortelles sur l'utilisateur ou des personnes alentour dues à un contact avec la lame de coupe :
  - Tenir les mains, les pieds et les autres parties du corps éloignés de la lame de coupe.



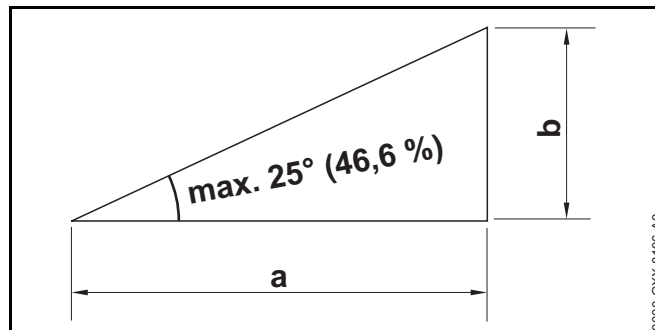
- Ne jamais toucher la lame de coupe en mouvement avec la main ou toute autre partie du corps.
- Ne jamais essayer d'éliminer l'herbe coupée ou des débris de la lame de coupe ou des canaux d'éjection sans arrêter tout d'abord la tondeuse et retirer la clé de sécurité et la batterie.
- Ne pas toucher la lame de coupe alors que la batterie et la clé de sécurité sont insérées dans la tondeuse.



- Pour réduire le risque de blessures graves ou mortelles par coupure de l'utilisateur ou de personnes alentour du fait d'une perte de contrôle, veiller à garder une position stable et un bon équilibre à tout moment :
  - Ne jamais utiliser la tondeuse par temps de pluie, sur un sol mouillé ou dans des conditions très humides.
  - Veiller à avoir un bon équilibre et une position stable à tout moment.
  - Faire particulièrement attention sur les terrains broussailleux et toujours tenir compte des obstacles cachés tels que des souches d'arbre, des racines, des pierres, des terriers, des creux ou des fossés, pour éviter de trébucher ou de tomber.
  - Faire preuve d'une extrême prudence lors de la tonte dans des pentes ou sur un sol irrégulier.
  - Pour une position plus stable, éliminer systématiquement les branches tombées, les broussailles, les copeaux et autres matières, objets ou végétation qui peut augmenter le risque de glisser, trébucher ou tomber.
  - Ne pas trop se pencher.
- Pour réduire le risque de blessures graves sur l'utilisateur ou des personnes alentour suite à une perte de contrôle :



- Ne pas tondre près de ravins, de fossés ou de talus. Il existe un risque de trébuchement.
- Faire preuve d'une extrême prudence lors de la tonte dans des pentes ou sur un sol irrégulier. Ne pas utiliser la tondeuse sur des pentes très raides. Les pentes représentent un risque important d'accidents dus à une glissade ou une chute, qui peuvent à leur tour provoquer de graves blessures.
- Utiliser cette tondeuse uniquement dans des pentes d'une déclivité maximale de 25°.
- Tondre parallèlement à la pente, jamais en descente ou en montée. Faire particulièrement attention lors des changements de direction sur une pente.
- Ne pas tirer la tondeuse en arrière sauf en cas d'absolue nécessité. Toujours regarder vers le bas et derrière soi avant et pendant la tonte en marche arrière.



Une pente d'une déclivité de 25° équivaut à une inclinaison verticale de  $b = 46,6$  cm (18,3 in.) sur une longueur horizontale de  $a = 100$  cm (39,4 in.).



### 5.7.3 Conditions de travail

## **▲ AVERTISSEMENT**

- N'utilisez votre tondeuse à gazon que dans de bonnes conditions de visibilité à la lumière du jour.
  - Reportez le travail si le temps est venteux, brumeux, pluvieux ou peu clément.
  - N'utilisez jamais la tondeuse dans de l'herbe mouillée. Ne tondez pas l'herbe mouillée.
  - N'utilisez pas la tondeuse s'il y a un risque de foudre.
- Votre tondeuse à gazon est une machine pour une seule personne.
  - Les spectateurs, en particulier les enfants, et les animaux ne devraient pas être autorisés dans la zone où il est utilisé.
  - Arrêtez-la immédiatement si quelqu'un s'approche de vous.
- Pour réduire le risque de blessure aux spectateurs et utilisateurs non autorisés :
  - Ne laissez jamais la tondeuse à gazon sans surveillance lorsque la clé de fusible et la batterie sont insérées.
  - Éteignez la tondeuse à gazon et retirez la clé de fusible et la batterie pendant les pauses de travail et à tout autre moment où la tondeuse à gazon n'est pas utilisée.
- Le moteur d'entraînement n'est pas étanche.
  - Ne travaillez jamais avec la tondeuse sous la pluie ou dans des endroits humides ou très humides.
- Les étincelles générées par le fonctionnement de la tondeuse à gazon peuvent enflammer des gaz combustibles, liquides, vapeurs, poussières inflammables ou d'autres matériels et substances combustibles. Pour réduire les risques d'incendie et d'explosion :
  - N'utilisez jamais la tondeuse à gazon dans un endroit où se trouvent des gaz, liquides, vapeurs, poussières inflammables ou autres matières et substances combustibles.
  - Lisez et observez les recommandations émises par les autorités gouvernementales (par exemple le CCHST) pour identifier et éviter les risques liés aux gaz, liquides, vapeurs, poussières inflammables ou autres matières et substances combustibles.
- Des étincelles peuvent se produire si un couteau métallique en rotation heurte une roche ou un autre objet dur, lesquelles peuvent enflammer des matériaux inflammables dans certaines circonstances. Les matériaux inflammables peuvent inclure une végétation et des buissons secs, en particulier lorsque les conditions météorologiques sont chaudes et sèches.
  - En cas de risque d'incendie ou de feu de forêt, n'utilisez pas la tondeuse à gazon autour de matériaux inflammables ou autour de végétation sèche ou de broussailles.
  - Contactez le centre local des pompiers ou le Service canadien des forêts pour savoir si la végétation et les conditions météorologiques sont appropriées pour l'utilisation d'une lame métallique.
- L'utilisation de cette tondeuse à gazon peut générer de la poussière et d'autres substances contenant des produits chimiques connus pour causer des problèmes respiratoires, le cancer, des malformations congénitales et d'autres problèmes de reproduction.
  - Consulter les organismes gouvernementaux tels que l'ECCC, le CCHST et l'ASPC et d'autres sources faisant autorité sur les matières

dangereuses si vous n'êtes pas familiarisé avec les risques associés aux substances particulières que vous coupez ou avec lesquelles vous travaillez.

- L'inhalation de certaines poussières, en particulier des poussières organiques telles que les moisissures ou le pollen, peut provoquer une réaction allergique ou asthmatique chez les personnes sensibles. Une inhalation importante ou répétée de la poussière ou d'autres contaminants aérosols, notamment ceux ayant une taille de particules plus petites, peut causer des maladies respiratoires ou autres.
  - Contrôlez autant que possible la poussière à la source.
  - Dans la mesure du possible, utilisez la tondeuse à gazon de sorte que le vent ou le fonctionnement dirige la poussière, le brouillard ou les autres particules soulevés par la tondeuse à gazon loin de l'opérateur.
  - Lorsqu'il est impossible de maintenir les poussières respirables ou d'autres matières particulières à des niveaux de fond ou proches de ceux-ci, portez toujours un appareil respiratoire homologué par l'ASPC et adapté aux conditions spécifiques du lieu de travail. Suivez les recommandations des autorités gouvernementales (par exemple CCHST/ASPC/MSHA) et des associations professionnelles et commerciales.
- Si la végétation coupée ou la terre environnante est recouverte d'une substance chimique comme un pesticide, un engrais ou un herbicide :
  - Lisez et observez les instructions et les avertissements accompagnant la substance qui recouvre la végétation ou la terre environnante.

#### 5.7.4 Instructions d'utilisation

### **▲ AVERTISSEMENT**

- En cas d'urgence, arrêtez immédiatement le moteur et retirez la clé de fusible et la batterie.

- La lame de tonte continue à tourner pendant une courte période après avoir relâché complètement le levier de commande. Ceci est connu sous l'appellation « effet de volant d'inertie ». Pour réduire le risque de blessure grave résultant d'un contact avec la lame de tonte :
  - Attendez que la lame de tonte s'arrête avant de soulever ou de transporter la tondeuse à gazon.
- Le plateau de coupe de votre tondeuse à gazon ne protège pas l'opérateur contre tous les corps étrangers (gravier, verre, fil de fer, etc.) projetés en arrière par la lame de tonte rotative. Les objets projetés peuvent également ricocher et frapper l'opérateur, les passants ou la propriété.
  - Évitez de décharger de matériau contre un mur ou un obstacle.
- La lame de tonte rotative peut projeter des corps étrangers directement ou par ricochet sur une grande distance. Des objets projetés, y compris des lames de coupe cassées, peuvent provoquer des blessures graves, voire mortelles pour l'utilisateur ou les spectateurs. Pour réduire les risques de lésion corporelle grave :
  - Vérifiez la zone de travail. Enlevez les pierres, le verre, les roches, les morceaux de métal ou d'autres objets qui pourraient être projetés par la lame de tonte, endommager la lame de tonte ou causer des blessures corporelles ou des dommages matériels (p. ex. véhicules stationnés, fenêtres).



- Portez toujours une protection oculaire appropriée et gardez les spectateurs à une distance minimale de 50 ft. (15 m) de la zone de travail. Toute personne qui entre dans la zone de travail doit également porter une protection oculaire appropriée.
- Restez derrière la poignée lorsque le moteur tourne ou que la lame de tonte tourne.

- Pour réduire le risque d'endommager des biens matériels, gardez toujours la distance indiquée ci-dessus avec des objets tels que des véhicules ou des fenêtres.
- Le maintien d'une distance minimale de 50 ft. (15 m) ne permet pas d'éliminer totalement le risque potentiel de blessure et de dommage matériel provoqué par la projection d'objets.
- Arrêtez le moteur immédiatement si quelqu'un s'approche de vous alors que vous travaillez avec la tondeuse à gazon.
- Ne dirigez jamais de matériau déversé vers qui que ce soit.
- N'utilisez jamais la tondeuse à gazon sans que le sac à herbe ou le couvercle de décharge arrière ne soit en place et en état de marche. Assurez-vous que tous les dispositifs de sécurité sont en place avant de commencer le travail.
- N'utilisez jamais la tondeuse sans le couvercle de décharge latéral fermé ou le guide de décharge latéral en place.
- Pour réduire les risques de blessures graves résultant d'un démarrage involontaire :



- Ne placez pas les mains ou les pieds à proximité ou sous la machine. Restez toujours à l'écart de l'ouverture de décharge.



- Ne touchez jamais la lame de tonte avec votre main, vos pieds ou toute autre partie de votre corps lorsque la clé de fusible et la batterie sont en place, même si la lame de tonte ne bouge pas. Les autres personnes doivent se tenir à au moins 50 ft. (15 m) de distance.



- Si la lame de tonte ou les conduites de décharge sont sales, bouchées ou coincées, arrêtez toujours le moteur, assurez-vous que la lame de tonte est à l'arrêt et retirez la clé de fusible et la batterie avant de procéder à l'inspection de la lame de tonte. Nettoyez régulièrement la lame de tonte et les conduites de décharge des saletés, de l'herbe, des mauvaises herbes et des autres matériaux, mais seulement après avoir retiré la clé de fusible et la batterie.
- Pour réduire le risque de surcharge thermique du moteur et d'endommagement de la tondeuse :
  - N'allumez pas la tondeuse dans les hautes herbes.
  - Ne surchargez pas votre tondeuse à gazon pendant l'utilisation dans une herbe très haute ou très épaisse jusqu'à un point où le moteur ralentit. Si le moteur émet un son irrégulier ou commencer à ralentir en raison de la hauteur de l'herbe ou du volume coupé, levez la lame de tonte ou ralentissez.
  - N'allumez et n'éteignez pas fréquemment la tondeuse pendant une courte période.
- Une lame de tonte endommagée ou desserrée risque de vibrer, de se fissurer, de casser ou de se détacher de la tondeuse à gazon et entraîner des blessures graves voire mortelles.
  - Avant de commencer le travail, examinez la lame. Si la lame est endommagée ou fissurée, remplacez-la immédiatement. Si le bord de la lame est émoussé ou entaillé, l'aiguiser et l'équilibrer ou le remplacer.
  - Si la lame de tonte se desserre après avoir été correctement serrée, arrêtez immédiatement le travail et faites contrôler la tondeuse à gazon par votre distributeur agréé STIHL iMow.
  - N'utilisez jamais une tondeuse à gazon dont la lame est desserrée ou endommagée.

## DANGER

- Pour réduire le risque d'électrocution :



- N'utilisez jamais la tondeuse à gazon à proximité de fils ou de câbles qui pourraient être sous tension.
- Ne vous fiez pas à l'isolation de la tondeuse à gazon contre les chocs électriques.



- Ne pas chauffer une batterie à plus de 100 °C (212 °F).
- Ne jamais incinérer ni placer la batterie sur ou près d'un feu, d'une cuisinière ou d'autres endroits à hautes températures.

## 6 Sécurité de la batterie

### 6.1 Avertissements et consignes

#### **⚠** AVERTISSEMENT

- L'utilisation de batteries non autorisées peut endommager la tondeuse et provoquer un incendie, une explosion, des blessures et des dommages matériels.
    - N'utiliser que des batteries STIHL d'origine de la série AK.
  - L'utilisation de batteries STIHL de la série AK pour tout autre but que celui d'alimenter en énergie des outils électriques STIHL pourrait s'avérer extrêmement dangereuse.
    - Utiliser les batteries STIHL de la série AK uniquement pour alimenter en énergie des outils électriques STIHL compatibles.
  - L'utilisation de chargeurs non autorisés peut endommager la batterie et provoquer un incendie, une explosion, des blessures et des dommages matériels.
    - Utiliser uniquement des chargeurs STIHL d'origine de la série AL 101, AL 301 ou AL 500 pour recharger des batteries STIHL de la série AK.
  - La batterie comporte des fonctionnalités et dispositifs de sécurité qui, en cas de dommages, peuvent entraîner la surchauffe, une cassure, des fuites, l'inflammation ou l'explosion de la batterie.
- Ne jamais utiliser, ni recharger une batterie défectueuse, endommagée, fissurée, déformée ou présentant des fuites.
  - Ne jamais ouvrir, démonter, écraser, faire tomber, soumettre la batterie à des chocs violents, ni l'endommager de toute autre manière.
  - Ne jamais exposer la batterie à des micro-ondes ou des pressions élevées.
  - Ne jamais insérer d'objets dans les fentes d'aération de la batterie.
- Des températures extrêmes peuvent entraîner une surchauffe, une cassure, des fuites, une inflammation ou une explosion de la batterie, ce qui peut provoquer des blessures graves ou mortelles, ainsi que des dommages matériels.
    - Ne jamais recharger, utiliser ou entreposer la batterie en dehors des limites de température ambiante indiquées, 25.3.
  - Pour réduire le risque de blessures et de dommages matériels si la batterie dégage de la fumée, présente une odeur inhabituelle ou est anormalement chaude pendant l'utilisation, la recharge ou l'entreposage :
    - Arrêter immédiatement d'utiliser ou de recharger la batterie. Contacter les autorités en cas d'incendie ou d'explosion.
  - Pour réduire le risque de court-circuit qui pourrait provoquer un choc électrique, un incendie et une explosion :



- Garder la batterie au sec. La protéger de la pluie, de l'eau, des liquides et des conditions humides.
- Ne jamais immerger la batterie dans l'eau ou d'autres liquides.
- Ne jamais ponter les bornes de la batterie avec des fils ou autres objets métalliques.
- Tenir une batterie non utilisée à l'écart des petits objets métalliques susceptibles d'être conducteurs d'électricité (trombones, clous, pièces de monnaie, clés, p. ex.)
- Ranger la batterie à l'intérieur, dans une pièce au sec.
- Ne jamais entreposer la batterie dans des environnements humides ou corrosifs ou dans des conditions pouvant entraîner la corrosion de ses composants métalliques.
- Ne jamais entreposer la batterie dans la tondeuse.
- Lors de l'entreposage de la batterie, maintenir une charge de 40 % à 60 % (2 voyants verts).
- En cas de rangement de la batterie dans le chargeur, débrancher le chargeur de la prise de courant.
- Protéger la batterie de toute exposition à des agents corrosifs, tels que des produits chimiques de jardinage et des sels de déneigement.
- Protéger la batterie contre toute exposition à des liquides conducteurs comme de l'eau salée.
- Ne pas essayer de réparer, d'ouvrir ou de démonter la batterie. L'intérieur de l'appareil ne contient aucun composant susceptible d'être réparé par l'utilisateur.
- Une fuite d'électrolyte est potentiellement nocive et peut provoquer une irritation de la peau et des yeux, des brûlures chimiques et autres blessures graves.
  - Éviter tout contact avec la peau et les yeux.
  - Utiliser un absorbant inerte, comme du sable, sur de l'électrolyte renversé.
- En cas de contact accidentel, rincer immédiatement la zone de contact soigneusement au savon doux et à l'eau.
- Si de l'électrolyte pénètre dans les yeux : ne pas se frotter les yeux. Passer de l'eau sur l'œil/les yeux ouverts pendant 15 minutes au moins et consulter un médecin.
- Un incendie de batterie peut être dangereux. Pour réduire le risque de blessures graves et de dommages matériels en cas d'incendie :
  - Évacuer la zone. Le feu peut se répandre rapidement. Rester à l'écart de toute vapeur générée et respecter une distance de sécurité.
  - Appeler les pompiers.
  - Bien qu'il soit possible d'utiliser de l'eau pour éteindre un incendie de batterie, il est préférable d'utiliser un extincteur multi-usage à poudre chimique.
  - S'adresser aux pompiers pour savoir comment éliminer correctement une batterie brûlée.
- Faire tomber la batterie pourrait provoquer des blessures ou des dommages matériels. Pour éviter de faire tomber la batterie lors de sa dépose :
  - Placer la tondeuse sur une surface plane.
  - Faire preuve de prudence lors de l'éjection de la batterie.

## 7 Maintenance, réparation et rangement

### 7.1 Avertissements et instructions

#### **⚠** AVERTISSEMENT






- Aucune réparation ne peut être effectuée par l'utilisateur sur la batterie ou la tondeuse. Les mesures suivantes réduisent le risque d'incendie et d'électrocution ainsi que d'autres blessures et dommages matériels :
  - L'utilisateur ne peut effectuer que les travaux de nettoyage et d'entretien décrits dans le présent manuel d'utilisation.
  - Respecter strictement les instructions de nettoyage et d'entretien figurant dans les sections correspondantes de ce manuel d'utilisation.
  - Une lame de coupe défectueuse ou cassée ne doit pas être réparée. Sinon, des pièces pourraient se détacher et provoquer des blessures graves, voire mortelles.
  - Porter des gants de protection antidérapants pour usage intensif lors de la manipulation des lames de coupe.
  - STIHL recommande de confier tous les travaux de réparation à des revendeurs STIHL agréés.
  - Les étiquettes comportant des avertissements et des instructions doivent être conservées ou remplacées si nécessaire.
- Un démarrage involontaire peut entraîner des blessures ou des dommages matériels. Procéder comme suit pour réduire le risque de blessures graves dues à un démarrage involontaire :
  - Retirer la clé de sécurité et la batterie avant d'inspecter, de nettoyer, d'entretenir, de réparer ou de ranger la tondeuse ou lorsqu'elle n'est pas utilisée.
- La lame de coupe est la seule pièce de la tondeuse qui peut être entretenue par l'utilisateur.
  - Porter des gants de protection antidérapants pour usage intensif, en cuir ou dans un autre matériau résistant à l'usure, pour tout travail effectué sur la lame de coupe.
  - Une lame usée ou endommagée doit être remplacée.
  - Serrer tous les écrous, boulons et vis après avoir remplacé la lame de coupe.
- L'utilisation de pièces non homologuées ou non autorisées par STIHL peut entraîner des blessures graves, voire mortelles, et des dommages matériels.
  - STIHL recommande d'utiliser exclusivement des pièces de rechange STIHL de même type pour les réparations et les travaux d'entretien.
- Un remisage inapproprié peut entraîner une utilisation non autorisée et des dommages à la tondeuse, et augmente le risque d'incendie, d'électrocution et d'autres blessures ou dommages matériels.
  - Retirer la clé de sécurité et la batterie avant de remiser la tondeuse.
  - Ne jamais remiser la tondeuse avec la clé de sécurité ou la batterie en place.
  - Lors du stockage de la batterie, veiller à maintenir un niveau de charge compris entre 40 et 60 % (deux voyants verts).
  - Si la batterie est stockée dans le chargeur, le chargeur doit être débranché du secteur.
  - Remiser la tondeuse dans un endroit sec et sûr, auquel les enfants et autres utilisateurs non autorisés n'ont pas accès.
  - Ne jamais laisser la batterie en place dans la tondeuse. Ne jamais ranger la batterie dans un récipient dans lequel des petits objets métalliques conducteurs (par exemple des trombones, des clous, des pièces de monnaie, des clés) pourraient provoquer un court-circuit.






## 8 Avant d'entreprendre le travail

### 8.1 Préparation de la tondeuse




Avant de commencer le travail :

- ▶ Retirer les emballages et les sécurités de transport.
- ▶ Recharger entièrement la batterie,  9.2.
- ▶ Monter la poignée,  11.1.
- ▶ Relever et régler la poignée,  12.1.
- ▶ Régler la hauteur de coupe,  18.1.
- ▶ Vérifier que les éléments de commande sont en parfait état et qu'ils fonctionnent correctement,  17.1.




**Procéder comme suit pour recueillir l'herbe coupée dans le bac de ramassage pendant la tonte :**

- ▶ Déposer le guide d'éjection latérale,  11.4.2.
- ▶ Déposer l'obturateur mulching,  11.3.2.
- ▶ Mettre en place le bac de ramassage,  11.2.1.

**Procéder comme suit pour éjecter l'herbe coupée sur le côté :**

- ▶ Déposer l'obturateur mulching,  11.3.2.
- ▶ Déposer le bac de ramassage,  11.2.2.
- ▶ Mettre en place le guide d'éjection latérale,  11.4.1.


**Pour le mulching :**

- ▶ Déposer le guide d'éjection latérale,  11.4.2.
- ▶ Déposer le bac de ramassage,  11.2.2.
- ▶ Mettre en place l'obturateur mulching,  11.3.1.

## 9 Recharge de la batterie

### 9.1 Mise en place du chargeur

#### AVERTISSEMENT

Lire et respecter les précautions de sécurité apposées sur la batterie et le chargeur, ainsi que les avertissements et consignes figurant dans ce manuel d'utilisation,  6, et le manuel de la batterie et du chargeur. Pour réduire le risque de court-circuit, qui pourrait entraîner un choc électrique, un incendie ou une explosion, s'assurer que le chargeur et ses composants sont secs et intacts ; utiliser le chargeur à l'intérieur, à une température ambiante adéquate.

#### AVERTISSEMENT

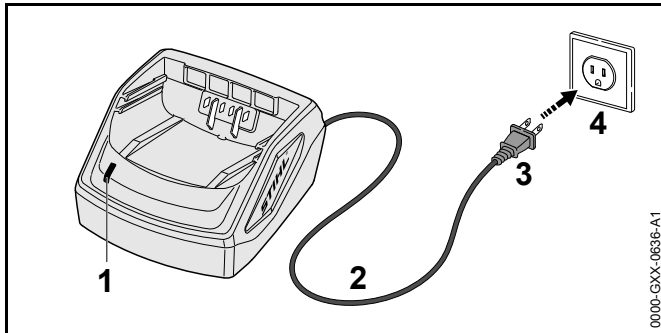
Un circuit électrique domestique typique se situe entre 15 et 20 ampères. Un simple chargeur STIHL AL 500 chargeur consomme environ 4,8 ampères. Un simple chargeur AL 301 consomme environ 4,4 ampères et un chargeur AL 101 environ 1,3 ampères. Pour réduire le risque d'incendie dû à une surcharge d'un circuit électrique :

- ▶ S'assurer que le circuit électrique est conçu pour résister à la consommation électrique prévue avant de recharger la batterie.
- ▶ Recharger plusieurs batteries l'une après l'autre ou sur des circuits distincts, sauf s'il est clair que le circuit peut supporter la consommation totale prévue de plusieurs chargeurs.

#### AVERTISSEMENT

Étant donné que la batterie et le chargeur chauffent pendant la recharge, ne pas utiliser le chargeur sur une surface inflammable ou en présence de matériaux ou substances inflammables (gaz, liquides, poussières, etc.).

Pour mettre en place le chargeur :



- ▶ Insérer la fiche (3) dans une prise électrique correctement installée (4) et correspondant à la tension et à la fréquence électrique indiquées sur la plaque signalétique du chargeur.

Le chargeur effectue un autotest immédiatement après son branchement. Le voyant du chargeur (1) s'allume en vert pendant 1 seconde environ, puis brièvement en rouge avant de s'éteindre. Une fois le voyant éteint, l'autotest est terminé et le chargeur est prêt à recharger la batterie.

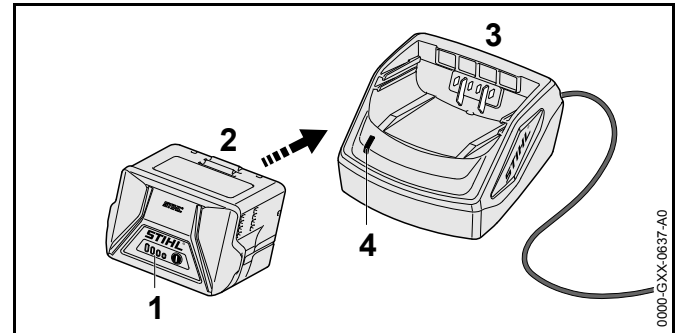
- ▶ Positionner le câble d'alimentation électrique (2) de façon à ce que personne ne puisse le piétiner ou trébucher dessus, à ce qu'il n'entre pas en contact avec des objets pointus ou des éléments mobiles, ou à ce qu'il ne soit pas endommagé ou soumis à des contraintes d'une quelconque autre façon.

## 9.2 Recharge

### **⚠** AVERTISSEMENT

Les batteries STIHL comporte des fonctionnalités et dispositifs de sécurité qui, en cas de dommages, peuvent entraîner la surchauffe, une cassure, des fuites, l'inflammation ou l'explosion de la batterie. Ne jamais recharger une batterie défectueuse, endommagée, fissurée, déformée ou présentant des fuites. Uniquement pour une utilisation en intérieur. Garder le chargeur au sec. La protéger de la pluie, de l'eau, des liquides et des conditions humides. Ne jamais insérer une batterie mouillée. Ne jamais utiliser un chargeur mouillé, 6.

Pour recharger la batterie :



- ▶ Pousser la batterie (2) dans le chargeur (3) jusqu'en butée. Le voyant sur le chargeur (4) s'allume en vert lorsque la batterie est en cours de recharge.

Les voyants (1) sur la batterie s'allument en vert et indiquent l'état de charge.

Lorsque les voyants sur la batterie s'éteignent, le processus de recharge est terminé et le chargeur s'arrête automatiquement. La batterie peut être retirée du chargeur.

- ▶ Débrancher le câble d'alimentation électrique de la prise de courant lorsque le chargeur n'est pas utilisé pendant de longues périodes.

La batterie n'est pas entièrement chargée à sa sortie de l'usine. STIHL recommande de recharger la batterie entièrement avant de l'utiliser la première fois.

Utiliser le chargeur à l'intérieur, dans une pièce au sec. Pour des performances optimales, respecter les plages conseillées de températures ambiantes, 25.4.

La batterie chauffe pendant le fonctionnement de la tondeuse. Si une batterie chaude est insérée dans le chargeur, il peut s'avérer nécessaire de la refroidir avant le début de la recharge. Le processus de recharge ne commence qu'une fois la batterie suffisamment refroidie.

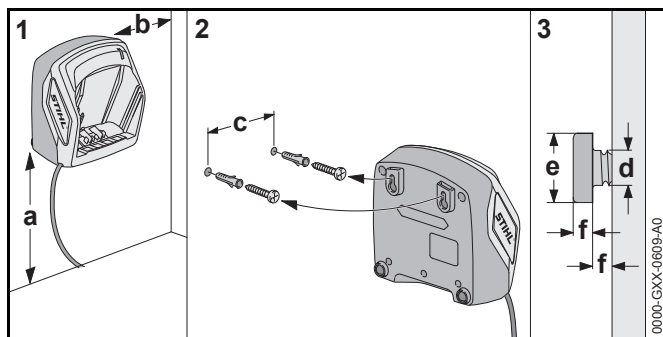


La durée de recharge dépend d'un certain nombre de facteurs, dont l'état de la batterie et la température ambiante. Pour obtenir une liste complète des durées de recharge approximatives, voir [www.stihl.com/charging-times](http://www.stihl.com/charging-times).

### 9.3 Montage du chargeur sur un mur

Avant le montage, assurez-vous qu'aucun câble électrique, tuyau ou autre ligne de service ne passe dans le mur derrière le chargeur.

Pour monter le chargeur mural :



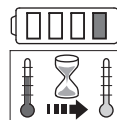
- ▶ Installez le chargeur à l'intérieur, dans un endroit sec, près d'une prise électrique.
- ▶ Serrez les vis à fleur dans un montant de cloison. Si aucun montant de cloison n'est disponible, utilisez des éléments d'ancrage mural à visser appropriés ou d'autres dispositifs de fixation similaires.
- ▶ Alignez le chargeur comme illustré ci-dessus. Montez-le sur un mur ayant les dimensions suivantes :
  - a = minimum 18 in. (450 mm)
  - b = minimum 3,9 in. (100 mm)
  - c (pour AL 101) = 3,0 in. (75 mm)
  - c (pour AL 301) = 3,9 in. (100 mm)
  - c (pour AL 500) = 4,7 in. (120 mm)
  - d = 0,2 in. (4,5 mm)
  - e = 0,4 in. (9 mm)
  - f = 0,1 in. (2,5 mm)

## 10 Diagnostic à l'aide des DEL

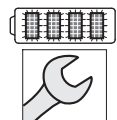
### 10.1 DEL sur la batterie

#### 10.1.1 État de la batterie

L'état de la batterie est indiqué par quatre DEL. Ces DEL peuvent être allumées ou clignoter en vert ou en rouge.



**Si une DEL qui reste continuellement allumée en rouge** : la batterie est trop chaude ou trop froide. Laissez la batterie se réchauffer ou refroidir progressivement à une température ambiante d'environ 50 °F à 68 °F (10 °C à 20 °C).



**Si toutes les 4 DEL clignotent en rouge** : la batterie est défectueuse et doit être remplacée. N'essayez pas de charger, d'utiliser ou d'entreposer la batterie.

#### 10.1.2 État de la tondeuse à gazon

Lorsque la batterie est insérée dans la tondeuse à gazon, les mêmes DEL sur la batterie indiquent l'état de la tondeuse à gazon.

**Si trois DEL restent continuellement allumées en rouge** : la tondeuse à gazon est trop chaude. Laissez refroidir le moteur.

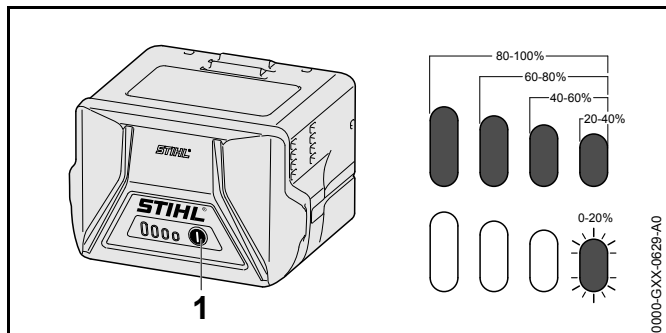
**Si trois DEL clignotent lorsque vous actionnez la gâchette** : la tondeuse à gazon présente un dysfonctionnement électrique. N'utilisez pas la tondeuse à gazon. Faites-la vérifier par un distributeur agréé STIHL avant de l'utiliser ou de l'entreposer.

Pour les informations de dépannage, 24.

#### 10.1.3 État de charge

Les DEL sur la batterie indiquent également l'état de charge de cette dernière.

Pour déterminer l'état de charge de la batterie :



- ▶ Appuyez sur le bouton (1) sur la batterie. Les DEL sur la batterie s'allumeront ou clignoteront en vert pendant 5 secondes environ et indiqueront ainsi l'état de charge (voir l'illustration).

Par exemple :

Si quatre DEL vertes s'allument en continu : pleine charge.

Si une DEL verte clignote : il reste moins de 20 % de charge.

## 11 Assemblage de la tondeuse à gazon

### 11.1 Montage de la poignée

#### ⚠ AVERTISSEMENT

Assurez-vous que la clé de fusible et la batterie sont retirées avant de commencer le montage.

#### ⚠ AVERTISSEMENT

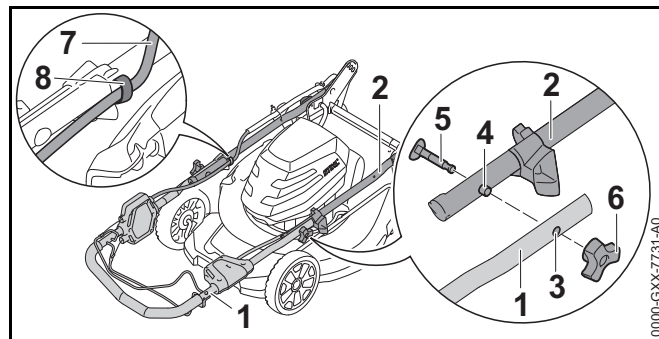
Pour réduire le risque de blessure résultant d'une perte de contrôle, assurez-vous que la poignée est montée correctement et de manière sécurisée avant de commencer le travail. La poignée inférieure et la poignée supérieure peuvent être rabattues après avoir tourné les boutons de poignée. Vérifiez que les boutons en étoile sont bien serrés. Tenez la poignée au point le plus haut avec une main et tournez les boutons de poignée. Soyez prudent et évitez de vous pincer les doigts entre les pièces.

#### ⚠ AVERTISSEMENT

Pour réduire le risque de pincement des doigts entre les pièces, tenez la poignée au point le plus haut avec une main lorsque vous desserrez les boutons en étoile.

Pour monter la poignée :

- ▶ Éteignez la tondeuse à gazon, 15.2.
- ▶ Retirez la clé de fusible et la batterie, 13.2 et 14.2.
- ▶ Positionnez la tondeuse à gazon sur une surface plane.



- ▶ Alignez la partie supérieure (1) et la partie inférieure (2) de la poignée de manière à ce que l'axe (4) s'engage dans l'alésage (3) des deux côtés.
- ▶ Insérez la vis (5) et alignez-le de manière à ce que la tête de la vis soit à fleur avec la partie inférieure de la poignée des deux côtés.
- ▶ Vissez l'écrou du bouton en étoile (6).
- ▶ Enfoncez le câble (7) des deux côtés dans le support (8).

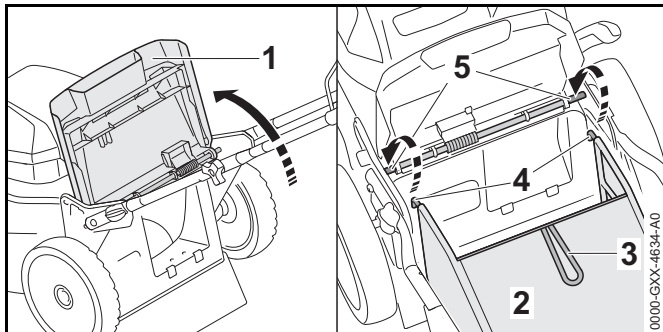
### 11.2 Montage et retrait du sac à herbe

#### 11.2.1 Montage du sac à herbe

Pour monter le sac à herbe :

- ▶ Éteignez la tondeuse à gazon et attendez que la lame de tonte s'arrête complètement, 15.2.
- ▶ Positionnez la tondeuse à gazon sur une surface plane.
- ▶ Si le couvercle de décharge latéral est toujours monté, retirez-le.

- ▶ Si l'élément de paillage est toujours monté, retirez-le.



- ▶ Ouvrez le couvercle de décharge arrière (1) et maintenez-le en place.
- ▶ Tenez le sac à herbe (2) par sa poignée (3) et engagez les crochets (4) sur la tige (5).
- ▶ Fermez le couvercle de décharge arrière.

### 11.2.2 Retrait du sac à herbe

Pour retirer le sac à herbe :

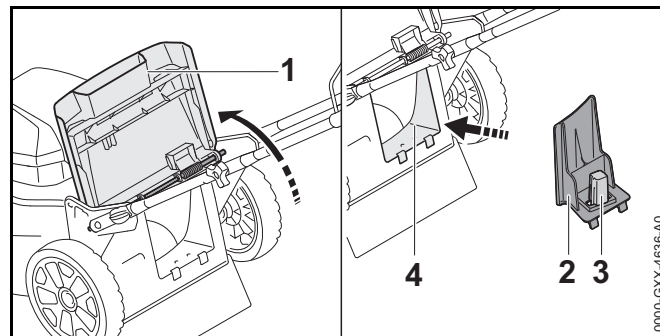
- ▶ Éteignez la tondeuse à gazon et attendez que la lame de tonte s'arrête complètement, 15.2.
- ▶ Positionnez la tondeuse à gazon sur une surface plane.
- ▶ Ouvrez le couvercle de décharge arrière et maintenez-le en place.
- ▶ Tenez le sac d'herbe par sa poignée et décrochez-le vers le haut.
- ▶ Fermez le couvercle de décharge arrière.

## 11.3 Insertion et retrait de l'élément de paillage

### 11.3.1 Installation de l'élément de paillage

Pour installer l'élément de paillage

- ▶ Éteignez la tondeuse à gazon, 15.2.
- ▶ Retirer la clé de fusible et la batterie, 13.2 et 14.2.
- ▶ Positionnez la tondeuse à gazon sur une surface plane.



- ▶ Ouvrez le couvercle de décharge arrière (1) et maintenez-le en place.
- ▶ Tenez l'élément de paillage (2) par la poignée (3) et le fixer solidement dans la conduite de décharge arrière (4).
- ▶ Fermez le couvercle de décharge arrière.

### 11.3.2 Retrait de l'élément de paillage

Pour retirer l'élément de paillage

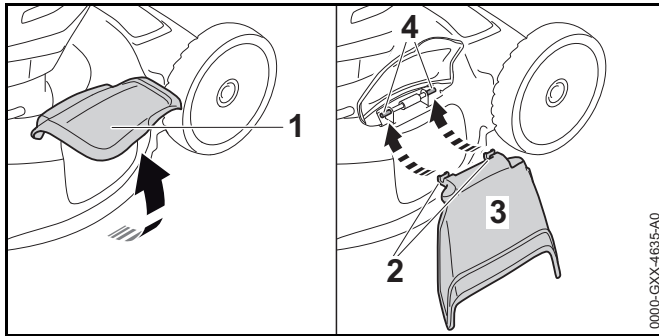
- ▶ Éteignez la tondeuse à gazon, 15.2.
- ▶ Retirer la clé de fusible et la batterie, 13.2 et 14.2.
- ▶ Positionnez la tondeuse à gazon sur une surface plane.
- ▶ Ouvrez le couvercle de décharge arrière et maintenez-le en place.
- ▶ Saisissez l'élément de paillage par la poignée et retirez-le de la conduite de décharge arrière.
- ▶ Fermez le couvercle de décharge arrière.

## 11.4 Montage et retrait du guide de décharge latéral

### 11.4.1 Installation du guide de décharge latéral

Pour installer le guide de décharge latéral

- ▶ Éteignez la tondeuse à gazon, 15.2.
- ▶ Retirer la clé de fusible et la batterie, 13.2 et 14.2.
- ▶ Positionnez la tondeuse à gazon sur une surface plane.



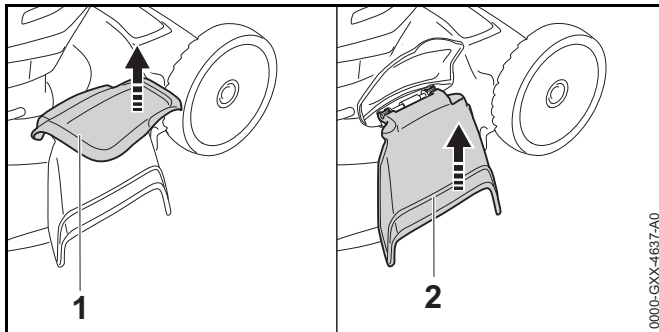
- ▶ Ouvrez le couvercle de décharge latéral (1) et maintenez-le en place.
- ▶ Alignez les évidements (2) dans le guide de décharge latéral (3) sous les goupilles (4)
- ▶ Fermez le couvercle de décharge latéral.

L'élément de paillage doit être monté lorsque le guide de décharge latéral est installé.

#### 11.4.2 Retrait du guide de décharge latérale

Pour retirer le guide de décharge latéral

- ▶ Éteignez la tondeuse à gazon, 15.2.
- ▶ Retirer la clé de fusible et la batterie, 13.2 et 14.2.
- ▶ Positionnez la tondeuse à gazon sur une surface plane.



- ▶ Ouvrez le couvercle de décharge latéral (1) et maintenez-le en place.
- ▶ Décrochez le guide de décharge latérale (2) vers le haut.

- ▶ Fermez le couvercle de décharge latéral.

## 12 Réglage de la tondeuse à gazon

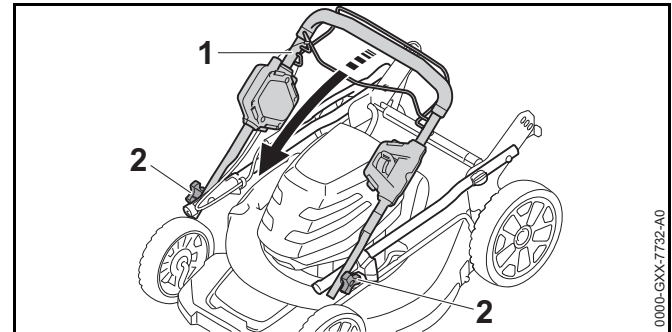
### 12.1 Déplier et ajuster la poignée

#### AVERTISSEMENT

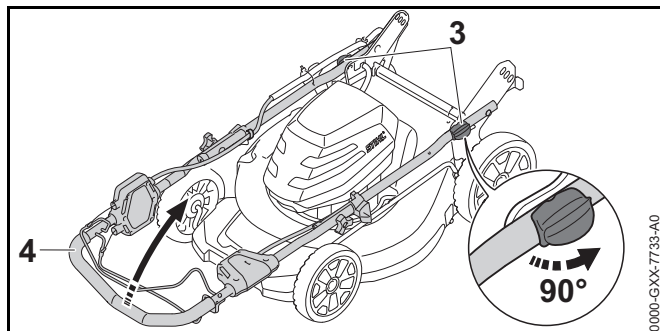
Veillez à ne pas pincer, plier ou tendre les câbles de commande lorsque vous pliez ou dépliez la poignée. L'endommagement du câble pourrait avoir un impact sur l'activation et le fonctionnement de la tondeuse à gazon et entraîner des conditions de fonctionnement dangereuses.

Pour déplier la poignée :

- ▶ Éteignez la tondeuse à gazon, 15.2.
- ▶ Retirer la clé de fusible et la batterie, 13.2 et 14.2.
- ▶ Positionnez la tondeuse à gazon sur une surface plane.



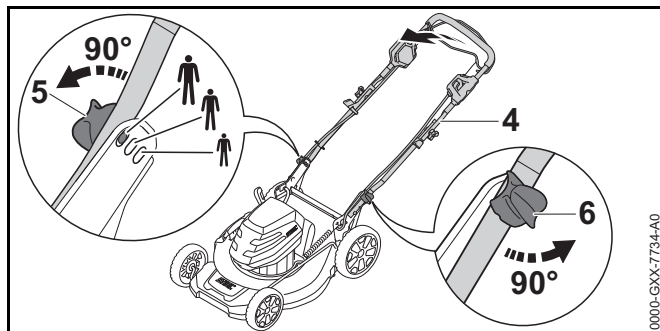
- ▶ Dépliez la partie supérieure du guidon (1).
- ▶ Serrez les boutons (2).



- ▶ Tournez les boutons de la poignée (3) de 90°.
- ▶ Pour déplier complètement la poignée (4).

La poignée peut être ajustée à la hauteur et à la portée de l'opérateur.

Pour ajuster la poignée :



- ▶ Alignez la poignée (4) de sorte que les boulons des leviers (5 et 6) soient alignés dans la position souhaitée.
- ▶ Tournez les deux boutons de la poignée de 90°. Les boulons des deux poignées s'engagent dans les trous à la même position.

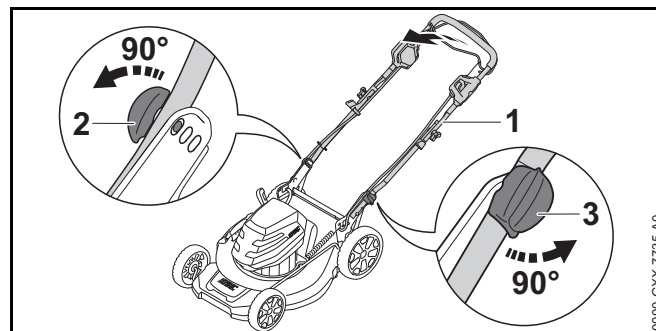
## 12.2 Pliage de la poignée

### ⚠ AVERTISSEMENT

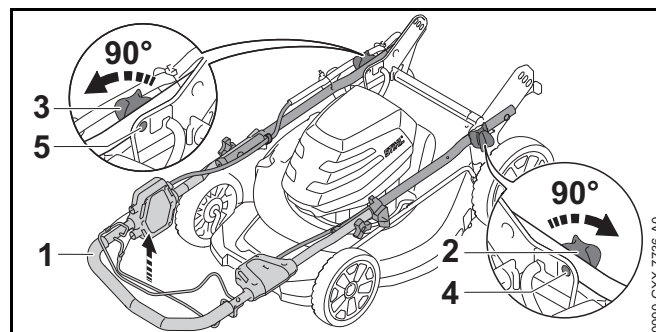
Veillez à ne pas pincer, plier ou tendre les câbles de commande lorsque vous pliez ou dépliez la poignée. L'endommagement du câble pourrait avoir un impact sur l'activation et le fonctionnement de la tondeuse à gazon et entraîner des conditions de fonctionnement dangereuses.

Pour plier la poignée :

- ▶ Éteignez la tondeuse à gazon, 15.2.
- ▶ Retirez la clé de fusible et la batterie, 13.2 et 14.2.
- ▶ Positionnez la tondeuse à gazon sur une surface plane.

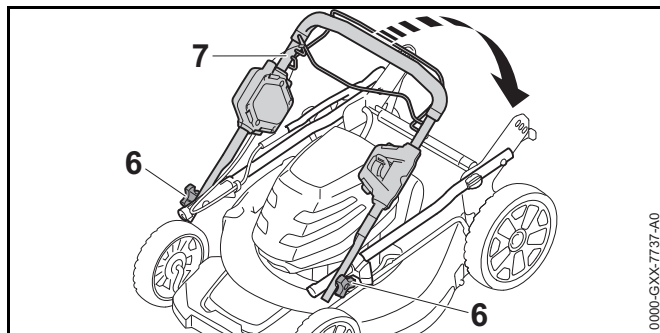


- ▶ Tenez la poignée (1) et tournez les deux boutons de poignée (2) de 90° l'un après l'autre.
- ▶ Pliez de la poignée. Veillez à ne pincer aucun câble lors du pliage de la poignée.



- ▶ Tournez les deux boutons de la poignée (2) de 90°.

- ▶ Poussez la poignée (1) vers le haut jusqu'à ce que les boulons (4 et 5) des boutons de la poignée (2 et 3) s'engagent et que la poignée soit solidement fixée.



- ▶ Desserrez les boutons (6).
- ▶ Repliez la partie supérieure (7) de la poignée. Veillez à ne pincer aucun câble lors du pliage de la partie supérieure de la poignée.

### AVIS

Veillez à ne pas pincer, plier ou tendre les câbles de commande lorsque vous pliez ou dépliez la poignée. L'endommagement du câble pourrait avoir un impact sur l'activation et le fonctionnement de la tondeuse à gazon.

## 13 Insertion et retrait de la clé de fusible

### 13.1 Insertion de la clé de fusible

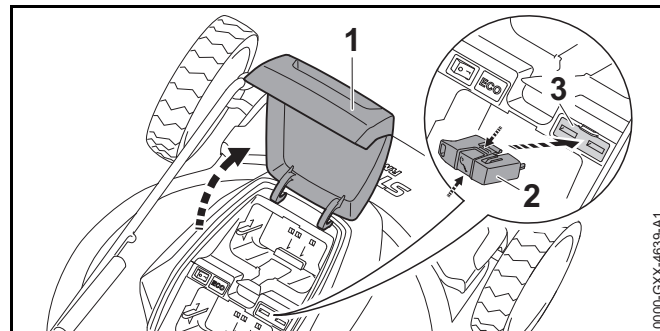
#### ⚠ AVERTISSEMENT

Pour réduire tout risque de blessure grave résultant d'une activation involontaire, n'entreposez jamais la clé de fusible dans la tondeuse à gazon.

Le moteur ne peut être démarré que lorsque la clé de fusible est insérée.

Pour insérer la clé de fusible :

- ▶ Placez la tondeuse à gazon sur une surface plane.



- ▶ Soulevez le couvercle du compartiment des batteries (1) et maintenez-le en place.
- ▶ Serrez la clé de fusible (2) et insérez la clé de fusible dans la douille de la clé de fusible (3) avec une pression régulière et constante jusqu'à la butée. L'insertion de la clé de fusible permet la circulation de l'énergie électrique de la batterie vers le moteur.
- ▶ Fermez le couvercle du compartiment des batteries.

### 13.2 Retrait de la clé de fusible

#### ⚠ AVERTISSEMENT

Pour réduire tout risque de blessure grave résultant d'une activation involontaire, retirez toujours la clé de fusible et la batterie avant tout assemblage, transport, réglage, nettoyage, réparation, entretien ou avant d'entreposer le sculpte-haies et à tout moment lorsqu'il n'est pas utilisé.

Pour retirer la clé de fusible :


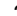
- ▶ Éteignez la tondeuse à gazon, 📖 15.2.
- ▶ Placez la tondeuse à gazon sur une surface plane.
- ▶ Soulevez le couvercle du compartiment des batteries et maintenez-le en place.
- ▶ Retirez la clé de fusible en exerçant une force constante et régulière.
- ▶ Fermez le couvercle du compartiment des batteries.

- ▶ Gardez la clé de fusible à l'écart de la tondeuse à gazon, en lieu sûr, inaccessible aux enfants et aux autres utilisateurs non autorisés.


## 14 Insertion et retrait de la batterie

### 14.1 Mise en place de la batterie

#### **⚠ AVERTISSEMENT**

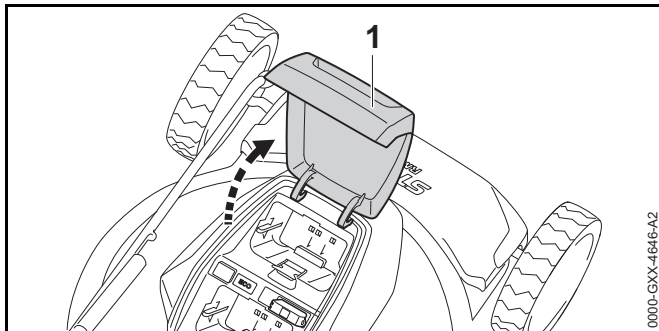
Ne jamais utiliser une batterie défectueuse, endommagée, fissurée, déformée ou présentant des fuites,  6.1. Ne jamais recharger, utiliser ou entreposer la batterie en dehors des limites de température ambiante indiquées,  25.3.

#### **⚠ AVERTISSEMENT**

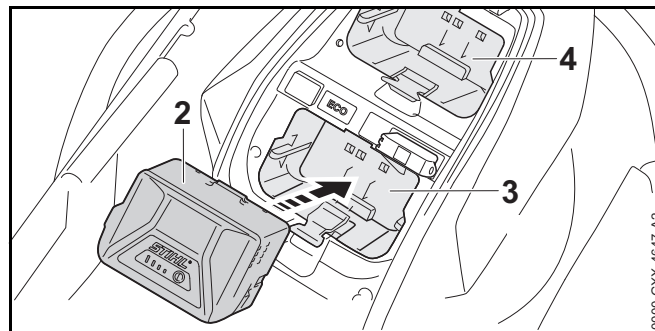
Pour réduire le risque d'activation involontaire, ne jamais ranger la batterie dans la tondeuse,  21.2.

Pour mettre en place la batterie :


- ▶ Placer la tondeuse sur une surface plane.



- ▶ Soulever le cache du compartiment batterie (1) et le tenir.



- ▶ Insérer la batterie (2) dans le compartiment batterie (3) jusqu'en butée.  
La batterie est bien en place quand un déclic s'entend et que la batterie est alignée avec le haut du boîtier de la batterie. Dans cette position, il y a un contact électrique entre la batterie et la tondeuse.
- ▶ Si une batterie de recharge doit être transportée, insérer la batterie de recharge dans le compartiment batterie correspondant (4).
- ▶ Refermer le cache du compartiment batterie.

Puisqu'une batterie neuve n'est pas entièrement chargée, STIHL recommande de recharger la batterie entièrement avant de l'utiliser la première fois,  9.2.

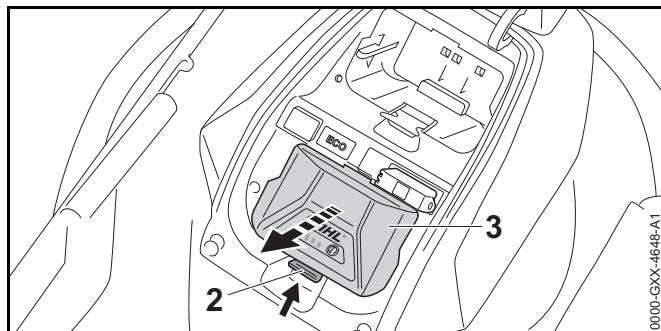
### 14.2 Dépose de la batterie

#### **⚠ AVERTISSEMENT**

Afin de réduire le risque de blessures graves dues à une activation involontaire, toujours déposer la clé de sécurité et la batterie avant de monter, de transporter, de régler, de nettoyer, d'entretenir ou d'entreposer la tondeuse, et chaque fois qu'elle n'est pas utilisée.

Pour déposer la batterie :

- ▶ Placer la tondeuse sur une surface plane.
- ▶ Soulever le cache du compartiment batterie et le tenir.



- ▶ Enfoncez le levier de verrouillage (2) pour éjecter la batterie (3) du compartiment batterie.
- ▶ Refermez le cache du compartiment batterie.


### AVIS

Éviter d'exposer la batterie à une chaleur excessive ou à des périodes prolongées d'exposition directe au soleil. L'utilisation de la batterie en dehors de la plage conseillée de températures ambiantes peut diminuer ses performances.

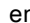
## 15 Mise en marche et arrêt de la tondeuse à gazon



### 15.1 Mise en marche

#### ⚠ AVERTISSEMENT

Pour réduire le risque de coupures graves ou mortelles à l'opérateur ou aux spectateurs, tenez les mains, les pieds et les autres parties du corps éloignés de la lame de tonte,  5.7.2. Ne touchez par la lame de tonte lorsque la clé de fusible est insérée.

#### ⚠ AVERTISSEMENT

N'utilisez jamais votre tondeuse à gazon si elle est endommagée, mal réglée ou mal entretenue ou si elle n'est pas assemblée entièrement et de manière sécurisée ou encore s'il ne fonctionne pas correctement,  5.6. Pour réduire tout risque de blessure, portez toujours des

vêtements adaptés et une combinaison de protection, y compris une protection oculaire appropriée,  5.5. Pour réduire le risque de blessures graves ou mortelles en cas de perte de contrôle, maintenez toujours la tondeuse à gazon avec les deux mains lorsque vous travaillez,  5.7.2.

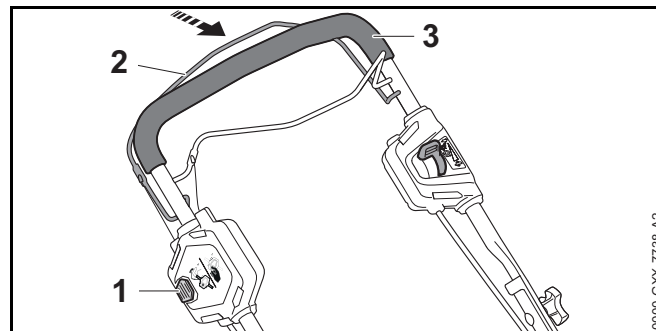
### AVIS

Pour réduire le risque de surcharge thermique du moteur et d'endommagement de la tondeuse, n'allumez pas la tondeuse dans l'herbe haute.

Avant la mise en marche :

- ▶ Assurez-vous d'avoir une position stable et sécurisée.
- ▶ Tenez-vous debout.
- ▶ Tenez et utilisez toujours la tondeuse à gazon à deux mains.

Pour allumer la tondeuse à gazon :



- ▶ Enfoncez avec la main droite le verrouillage (1) du levier de commande et maintenez-le en place.
- ▶ Tirez le levier de commande (2) vers la poignée (3) avec la main gauche et tenez-le. La lame de tonte se met en mouvement.
- ▶ Déverrouillez le verrouillage du levier de commande.

Le moteur ne se met en marche que si le verrouillage du levier de commande est enfoncé et que le levier de commande est tiré en même temps.



## 15.2 Mise à l'arrêt

### **!** AVERTISSEMENT

La lame de tonte continuera de se déplacer pendant une courte période après avoir relâché le levier de commande. Pour éviter des blessures graves ou mortelles, évitez tout contact avec la lame de tonte en mouvement. Pour réduire le risque de blessures corporelles en cas d'activation involontaire ou d'utilisation non autorisée, arrêtez le moteur, assurez-vous que la lame de tonte est arrêtée et retirez la clé de fusible et la batterie avant de transporter l'appareil.

Pour éteindre la tondeuse à gazon :


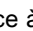
- ▶ Déverrouillez le levier de commande.

La lame de tonte continuera de se déplacer pendant une courte période après avoir relâché le levier de commande. Veillez à éviter tout contact après avoir relâché le levier de commande et lors de l'abaissement de la tondeuse à gazon.

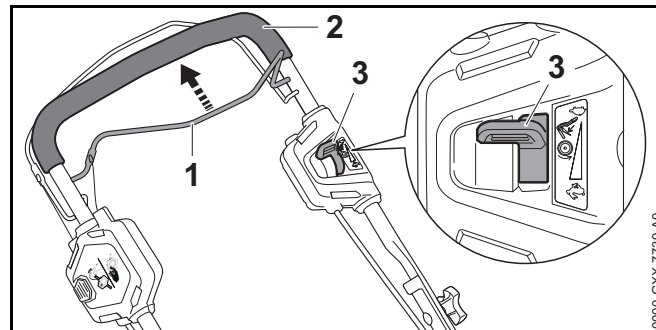
## 16 Activation et désactivation du système d'entraînement

### 16.1 Activation du système d'entraînement

Vitesse de rotation de la tondeuse à gazon autopropulsée peut être réglée en continu de 0,6 mph à 2,8 mph (1 km/h à 4,5 km/h).

Si le levier d'accélérateur est en position , la tondeuse se déplace à la vitesse la plus élevée. Si le levier d'accélérateur est en position , la tondeuse se déplace à la vitesse plus basse.

Pour activer le système d'entraînement :



- ▶ Tirez complètement le levier autopropulsé (1) dans la direction de la poignée (2) et tenez-le. La tondeuse à gazon commence à avancer.
- ▶ Réglez le levier d'accélérateur (3) sur la position la plus lente, puis réglez la vitesse de l'autopropulseur pour atteindre la vitesse désirée.

L'autonomie de la batterie sera généralement plus courte lors d'un fonctionnement continu aux niveaux de vitesse supérieurs.

### 16.2 Désactivation du système d'entraînement

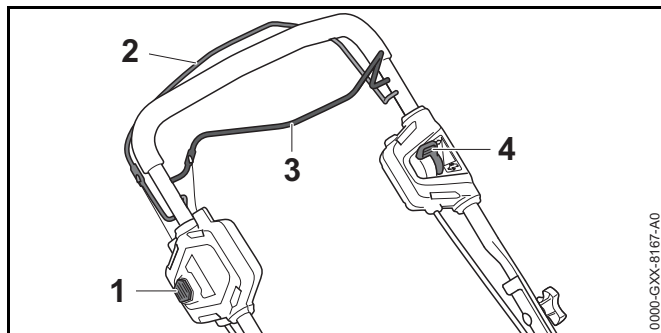
Pour désactiver le système d'entraînement :

- ▶ Relâchez le levier autopropulsé
- ▶ Attendez que la tondeuse s'arrête de bouger.

## 17 Vérification de la tondeuse à gazon

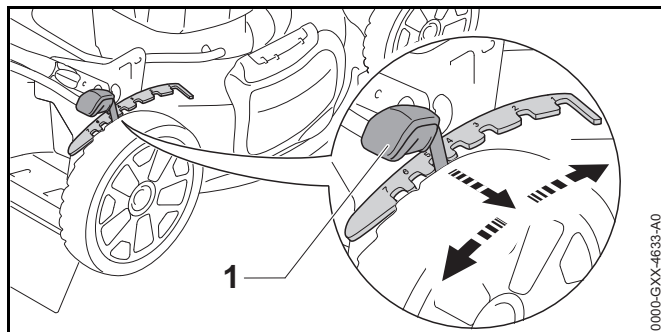
### 17.1 Vérification des commandes

Avant de commencer le travail, vérifiez que le verrouillage du levier de commande (1), le levier de commande (3), le levier autopropulsé (2) et le levier d'accélérateur (4) ne sont pas endommagés et fonctionnent correctement.



## 18 Pendant l'utilisation

### 18.1 Réglage de la hauteur de coupe



Pour régler la hauteur de coupe :

- Tirez le levier de réglage de la hauteur de coupe (1) hors de l'évidement et réglez-le sur la position sélectionnée. Un marquage indique la hauteur de coupe sélectionnée.

Vous pouvez sélectionner 8 hauteurs de coupe différentes :

- Position 1 : 0,98 in. (25 mm)
- Position 2 : 1,34 in. (34 mm)
- Position 3 : 1,73 in. (44mm)
- Position 4 : 2,13 in. (54 mm)
- Position 5 : 2,52 in. (64 mm)

- Position 6 : 3,0 in. (76 mm)
- Position 7 : 3,46 in. (88 mm)
- Position 8 : 3,94 in. (100 mm)

### AVIS

Pour réduire le risque d'endommager la tondeuse à gazon, n'essayez jamais de la soulever, de la transporter ou de la transporter par le biais du levier de réglage de la hauteur de coupe.

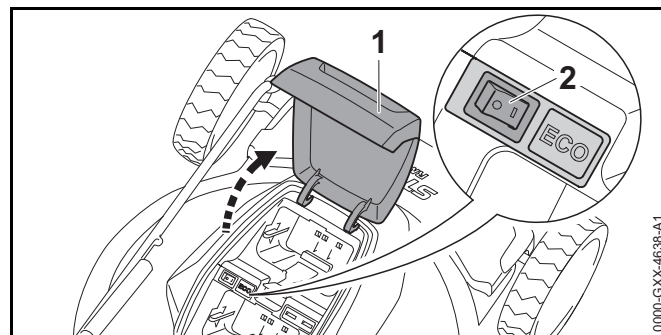
### AVIS

Évitez de régler une hauteur de coupe trop basse dans une herbe haute pour éviter de surcharger le moteur. Si la vitesse du moteur commence à ralentir, augmentez la hauteur de coupe.

### 18.2 Activation du mode ECO

Lorsque le mode ECO est sélectionné, la tondeuse fonctionne à un régime inférieur pour les situations nécessitant moins de puissance. Cela augmente l'efficacité énergétique et la durée d'utilisation de la batterie.

Pour activer le mode ECO :






- Soulevez le couvercle du compartiment des batteries (1) et maintenez-le en place.
- Mettez l'interrupteur ECO (2) en position I.
- Fermez le couvercle du compartiment des batteries.

Pour désactiver le mode ECO :



- ▶ Soulevez le couvercle du compartiment des batteries et maintenez-le en place.
- ▶ Mettez l'interrupteur ECO en position 0.
- ▶ Fermez le couvercle du compartiment des batteries.

### 18.3 Tonte et mulching

#### **⚠ AVERTISSEMENT**


Porter systématiquement des vêtements et un équipement de protection adaptés, y compris des lunettes de protection adaptées, lors de l'utilisation de la tondeuse,  5.5. Tenir les personnes alentour éloignées de la zone de tonte à au moins 15 m (50 ft.),  5.7.4. Travailler avec prudence et garder le contrôle de la tondeuse,  5.7.2.

#### **⚠ AVERTISSEMENT**

Pour réduire le risque de blessures graves ou mortelles sur l'utilisateur ou des personnes alentour, garder les mains, les pieds et autres parties du corps à l'écart de la lame de coupe,  5.7.2. Ne pas toucher la lame de coupe alors que la clé de sécurité et la batterie sont insérées. Ne jamais toucher la lame de coupe en mouvement avec la main ou toute autre partie du corps,  5.7.4.



- ▶ En cas d'utilisation du système d'entraînement, faire avancer la tondeuse de manière contrôlée, en gardant les deux mains sur l'appareil à tout moment.
- ▶ Si le système d'entraînement n'est pas utilisé, pousser la tondeuse lentement, en gardant les deux mains sur l'appareil à tout moment.

Pour des performances optimales, respecter les plages conseillées de températures ambiantes,  25.4.

Respecter toutes les lois, les réglementations, les normes et tous les arrêtés en vigueur.

#### **Mulching**

En mode mulching, les particules d'herbes recirculent dans le flux d'air, sont recoupées plusieurs fois en petites particules, puis soufflées à nouveau sur la pelouse. Les fines particules restent sur la surface de la pelouse où elles se décomposent rapidement et servent d'engrais naturel. Le

mulching fréquent contribue à une pelouse belle et dense. Il faut couper un tiers de la hauteur de l'herbe lors de ce processus.

Pour un mulching efficace, STIHL conseille d'effectuer les points suivants

- Réduire la vitesse de tonte,
- Varier le sens de tonte et chevaucher les coupes,
- Tondre l'herbe très haute par étapes.





## 19 Après avoir terminé le travail

### 19.1 Préparation au transport ou au remisage

#### **⚠ AVERTISSEMENT**

Afin de réduire le risque de blessures dues à une activation involontaire ou une utilisation non autorisée, arrêter le moteur, s'assurer que la lame de coupe s'est immobilisée et déposer la clé de sécurité et la batterie avant de transporter la tondeuse.

Pour préparer la tondeuse au transport ou au remisage :

- ▶ Éteindre la tondeuse,  15.2.
- ▶ Déposer la clé de sécurité et la batterie,  13.2 et  14.2.
- ▶ Si la batterie ou la tondeuse deviennent humides ou mouillées pendant le fonctionnement, les laisser sécher séparément et complètement avant de les recharger ou de les entreposer,  25.4.



## 20 Transport de la tondeuse à gazon et de la batterie

### 20.1 Tondeuse

#### **⚠ AVERTISSEMENT**

Afin de réduire le risque de blessures dues à une mise en marche accidentelle, ne jamais soulever, ni transporter la tondeuse à la main alors que la clé de sécurité et la batterie sont insérées.

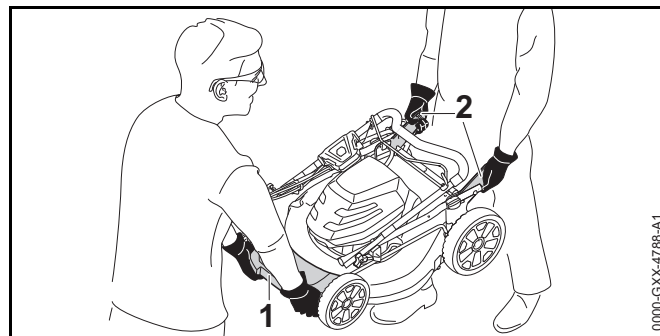
#### **⚠ AVERTISSEMENT**

Afin de réduire le risque de blessures dues à une perte de contrôle et un contact avec la lame, ne jamais porter, ni transporter la tondeuse alors que la lame de coupe est en rotation,  5.7.4. S'assurer que la lame de coupe s'est arrêtée avant de soulever ou de transporter la tondeuse,  5.7.4.

Pour transporter la tondeuse :

- ▶ Pousser la tondeuse en avant lentement et de manière contrôlée ou conduire la tondeuse à l'aide du système d'entraînement.
- ▶ En cas de transport de la tondeuse dans un véhicule, sécuriser et positionner celle-ci de façon à éviter tout retournement, impact et dommage. Utiliser des cordes ou des sangles pour bloquer les poignées.


En cas de transport de la tondeuse à la main :



- ▶ Se faire aider par une deuxième personne.
- ▶ Tenir le capot des deux mains (1).
- ▶ Tenir le support gauche (2) de la main gauche et le support droit de la main droite.
- ▶ Porter systématiquement des gants de protection épais et antidérapants en cuir ou en tout autre matériau résistant à l'usure.

## 20.2 Batterie

### AVERTISSEMENT

Pour réduire le risque de court-circuit, qui pourrait entraîner un choc électrique, un incendie et une explosion, ne transportez jamais la batterie avec de petits objets métalliques capables de conduire l'électricité (par exemple, des trombones, des clous, des pièces de monnaie, des clés),  6.

Lors du transport de la batterie :

- ▶ Protégez la batterie dans un conteneur contre les chocs et les dommages. Ne transportez jamais la batterie avec de petits objets métalliques capables de conduire l'électricité (par exemple, des trombones, des clous, des pièces de monnaie, des clés).
- ▶ Si vous transportez la batterie dans un véhicule, sécurisez-la ainsi que son conteneur pour éviter tout retournement, impact et dommage.

Les batteries STIHL sont conformes aux exigences énoncées dans le Manuel d'essais et de critères de l'ONU, partie III, sous-section 38.3.

Le transport commercial aérien, maritime et terrestre des piles et batteries au lithium-ion est réglementé. La batterie est classée comme un produit ONU 3480, classe 9, groupe d'emballage II. L'expédition, que ce soit en tant qu'outil complet ou en tant que batterie, nécessite le respect de toutes les réglementations d'expédition applicables. Vérifiez auprès de la compagnie aérienne au sol, du navire, du fret aérien ou des passagers pour déterminer si le transport est interdit ou soumis à des restrictions ou des exemptions avant l'expédition ou le voyage.



Normalement, aucune autre condition ne doit être remplie par l'utilisateur pour transporter les batteries STIHL par route jusqu'au site d'utilisation de l'outil électrique. Vérifiez et respectez toutes les réglementations spéciales qui peuvent s'appliquer à votre situation.

Pour plus d'informations, veuillez visiter [www.stihl.ca](http://www.stihl.ca).


## 21 Stockage de la tondeuse à gazon et de la batterie

### 21.1 Tondeuse

#### AVERTISSEMENT



Remiser la tondeuse dans un endroit sec et sûr, auquel les enfants et autres utilisateurs non autorisés n'ont pas accès,  5.7.4. Ne jamais remiser la tondeuse avec la clé de sécurité ou la batterie en place. Un remisage inapproprié peut entraîner une utilisation non autorisée et l'endommagement de la tondeuse,  5.7.4.

Procéder comme suit si la tondeuse doit être remise pendant au moins 30 jours :


- ▶ Nettoyer la tondeuse,  22.
- ▶ Remiser la tondeuse dans un endroit sec et sûr, auquel les enfants et autres personnes non autorisées n'ont pas accès.

### 21.2 Batterie

#### AVERTISSEMENT

Afin de réduire le risque de court-circuit qui pourrait entraîner un choc électrique, un incendie et une explosion, ne jamais ranger la batterie avec des petits objets métalliques susceptibles d'être conducteurs d'électricité (trombones, clous, pièces de monnaie, clés, p. ex.),  6.1. Si la batterie est humide ou mouillée, la laisser sécher entièrement avant de la ranger,  6.1.

### AVERTISSEMENT

Des températures extrêmes peuvent endommager la batterie et entraîner également une surchauffe, une cassure, des fuites, une inflammation ou une explosion de la batterie, ce qui peut provoquer des blessures graves ou mortelles et des dommages matériels. Ne jamais recharger, utiliser ou entreposer la batterie en dehors des limites de température ambiante indiquées,  25.3.

Pour ranger correctement la batterie :

- ▶ Déposer la batterie de la tondeuse.
- ▶ Lors de l'entreposage de la batterie, maintenir une charge de 40 % à 60 % (2 voyants verts).
- ▶ En cas de rangement de la batterie dans le chargeur, débrancher le chargeur de la prise de courant.
- ▶ S'assurer que la batterie est sèche et la ranger au sec dans un lieu sécurisé.
- ▶ La conserver hors de portée des enfants et autres personnes non autorisées.
- ▶ Protéger la batterie de l'humidité et des agents corrosifs, tels que des produits chimiques de jardinage et des sels de déneigement.
- ▶ Protéger la batterie contre toute exposition à des liquides conducteurs comme de l'eau salée.
- ▶ Pour une durée de vie maximale de la batterie, la ranger à une température ambiante comprise entre 10 °C et 20 °C (50 °F et 68 °F) avec une charge de 40 % à 60 % (2 voyants verts).
- ▶ Ne pas laisser des batteries de rechange inutilisées. Les utiliser à tour de rôle.

### AVIS


Une batterie qui n'est pas rangée correctement peut subir une décharge profonde, ce qui peut entraîner des dommages irréversibles. Pour éviter une décharge profonde :

- ▶ Déposer la batterie de la tondeuse une fois le travail terminé.
- ▶ Pour une durée de vie maximale de la batterie, ranger celle-ci avec une charge de 40 % à 60 % (2 voyants verts).
- ▶ En cas de rangement de la batterie dans le chargeur, débrancher le chargeur de la prise de courant.
- ▶ Pour une durée de vie maximale de la batterie, la ranger à une température ambiante comprise entre 10 °C et 20 °C (50 °F et 68 °F).

## 22 Nettoyage

### 22.1 Nettoyage de la tondeuse et de la batterie

#### AVERTISSEMENT

Afin de réduire le risque de blessures dues à une mise en marche accidentelle, retirer la clé de sécurité et la batterie avant d'effectuer toute opération de nettoyage,  5.7.4. Les utilisateurs de cette tondeuse peuvent effectuer uniquement les opérations de nettoyage décrits dans le présent manuel.



#### AVERTISSEMENT

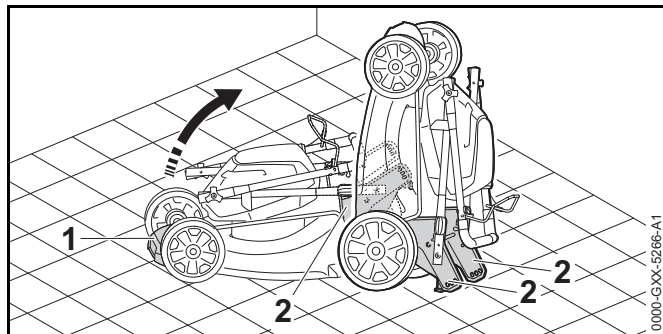
Pour prévenir les blessures, toujours porter des gants de protection épais lors de la manipulation de la lame de coupe.

### AVIS

Placer la tondeuse sur une surface plane et ferme avant de la mettre en position verticale. La tondeuse risque de se renverser pendant le nettoyage. Afin de réduire le risque de blessures pendant le nettoyage, ne jamais travailler directement devant ou derrière l'unité. Toujours se tenir sur un côté.

Pour nettoyer la tondeuse et la batterie :

- ▶ Placer la tondeuse sur une surface plane.
- ▶ Régler la hauteur de coupe en position 4,  18.1.
- ▶ Plier le guidon,  12.2.



- ▶ Saisir le capot avant (1) d'une main et le support (2) de l'autre main.
- ▶ Mettre la tondeuse en position verticale avec les supports (2) touchant le sol.
- ▶ Nettoyer les composants en polymère de la tondeuse à l'aide d'un chiffon légèrement humide. Ne pas utiliser de détergents ou de solvants. Ils risquent d'endommager les composants en polymère.
- ▶ Nettoyer le plateau de coupe et les ouvertures à l'aide d'une brosse douce ou d'un chiffon humide.
- ▶ Nettoyer la lame de coupe et la zone autour de celle-ci à l'aide d'un bâton en bois, d'une brosse douce ou d'un chiffon humide.
- ▶ Ne pas utiliser de nettoyeur sous pression pour nettoyer la tondeuse et ne pas l'asperger d'eau ou d'autres liquides.
- ▶ Maintenir le boîtier et les guides de la batterie exempts de corps étrangers et les nettoyer si nécessaire à l'aide d'une brosse douce ou d'un chiffon doux et sec.


### AVIS

Ne jamais asperger la tondeuse d'eau. L'asperger avec un jet d'eau pourrait entraîner des dommages sur le système électronique et d'autres systèmes.

## 23 Inspection et maintenance

### 23.1 Inspection et entretien de la tondeuse à gazon

#### AVERTISSEMENT

Pour réduire le risque de blessures corporelles en cas d'activation involontaire, retirez la clé de fusible et la batterie avant d'inspecter la tondeuse à gazon ou d'effectuer tout entretien,  7. Effectuez uniquement les opérations de maintenance décrites dans le présent manuel. Aucune réparation ne peut être effectuée par l'utilisateur. STIHL recommande de faire effectuer les opérations de réparation par un distributeur agréé STIHL.

Une maintenance correcte de la tondeuse à gazon inclut les activités suivantes :

- ▶ Inspecter périodiquement la lame de tonte et la remplacer ou la faire remplacer par un revendeur STIHL agréé.
- ▶ Aiguiser périodiquement la lame de tonte ou la faire affûter et équilibrer par un revendeur STIHL agréé.
- ▶ Faites remplacer les étiquettes de sécurité usées, manquantes ou endommagées par un distributeur agréé STIHL.

Si vous faites une demande de garantie pour un composant qui n'a pas été réparé ou entretenu correctement, la couverture peut être refusée.


### 23.2 Inspection de la lame de tonte

#### AVERTISSEMENT






N'utilisez jamais une lame de tonte émoussée ou endommagée. Le travail avec une lame émoussée provoque des vibrations accrues, des résultats de coupe médiocres et une usure accrue, notamment si vous utilisez la tondeuse à gazon sur un sol sablonneux ou si vous l'utilisez fréquemment dans des conditions sèches. Une lame de tonte endommagée risque de vibrer, de se fissurer, de casser ou de se détacher de la tondeuse à gazon, ce qui

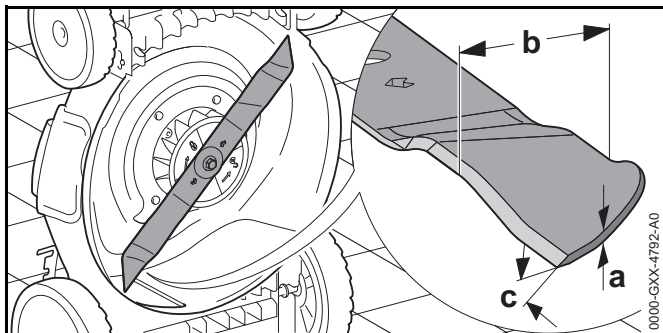
peut entraîner des blessures graves, voire mortelles, ou des dommages matériels. Assurez-vous que la lame de tonte est affûtée et en bon état avant de commencer le travail.

### ⚠ AVERTISSEMENT

La lame de tonte a des arêtes tranchantes. Si elle entre en contact avec votre chair, elle peut vous couper, même si elle ne bouge pas. Portez toujours des gants de travail robustes lors de l'inspection ou de toute autre manipulation de la lame de tonte,  5.5.

Pour examiner la lame de tonte :

- ▶ Éteignez la tondeuse à gazon,  15.2.
- ▶ Retirer la clé de fusible et la batterie,  13.2 et  14.2.
- ▶ Placez la tondeuse sur une surface plane.
- ▶ Réglez la hauteur de coupe en position 4,  18.1.
- ▶ Repliez la poignée,  12.2.
- ▶ Placez la tondeuse à l'extrémité.



- ▶ Vérifiez l'épaisseur de la lame à l'aide d'un pied à coulisse. L'épaisseur de la lame doit être au minimum  $a = 0,05$  in. (2,0 mm) à son point le plus étroit.
- ▶ Vérifiez la largeur de la lame à l'aide d'un pied à coulisse. La largeur de la lame doit être au minimum  $b = 1$  in. (45 mm) à son point le plus étroit.
- ▶ Remplacez la lame de tonte si l'épaisseur et la largeur de la lame mesurée sont en dehors des limites autorisées.
- ▶ Vérifiez l'angle d'affûtage. Aiguissez la lame de tonte si l'angle d'affûtage n'est pas  $c = 30^\circ$ .

## 23.3 Aiguisage et équilibrage de la lame de tonte


### ⚠ AVERTISSEMENT

N'utilisez jamais une lame de tonte émoussée ou endommagée. L'utilisation d'un couteau émoussé conduit à un effort physique accru, une charge de vibration accrue, des résultats de coupe insatisfaisants et une usure accrue, ce qui peut entraîner à son tour une perte de contrôle et provoquer des blessures à l'opérateur et aux spectateurs. Une lame de tonte endommagée risque de vibrer, de se fissurer, de casser ou de se détacher de la tondeuse à gazon, ce qui peut entraîner des blessures graves, voire mortelles, ou des dommages matériels. Assurez-vous que la lame de tonte est affûtée et en bon état avant de commencer le travail.

### ⚠ AVERTISSEMENT

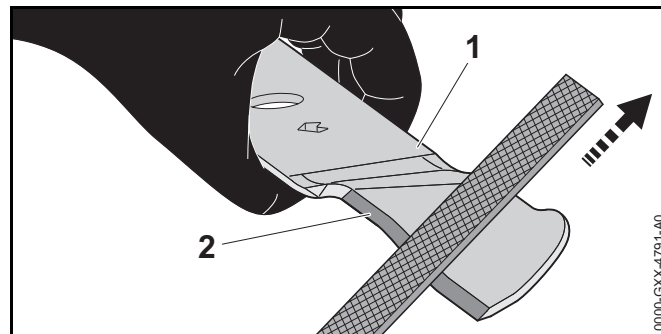
Une lame de tonte mal équilibrée peut augmenter le risque de blessures graves, voire mortelles. STIHL recommande de faire affûter et équilibrer votre lame de tonte par un revendeur STIHL agréé afin de réduire le risque de blessures graves ou mortelles.

### ⚠ AVERTISSEMENT

La lame de tonte a des arêtes tranchantes. Si elle entre en contact avec votre chair, elle peut vous couper, même si elle ne bouge pas. Portez toujours des gants de travail robustes lorsque vous affûtez ou manipulez la lame de tonte,  5.5.

Pour affûter la lame de tonte :

- ▶ Retirez la lame de tonte,  23.4.





- ▶ Utilisez une lime plate pour affûter une lame de tonte émoussée (1). Dans le cas d'une usure ou d'entailles plus sérieuses, réaffûtez avec une affûteuse ou faites-le affûter par un distributeur agréé STIHL.
- ▶ Guidez la lime horizontalement à angle droit par rapport à la surface latérale (2) selon l'angle de 30° indiqué.
- ▶ Levez la lime lors du retour. La lime affûte uniquement lors de la course vers l'avant.
- ▶ Tournez la lame de tonte et affûtez l'autre côté en conséquence.

Pour équilibrer la lame de tonte :


- ▶ Après 5 réaffûtages environ, vérifiez si la lame de tonte présente un déséquilibre sur un dispositif d'équilibrage STIHL (accessoire spécial) ou faites-le contrôler et rééquilibrer si nécessaire par un revendeur agréé STIHL.

## 23.4 Remplacement de la lame de tonte



### **⚠** AVERTISSEMENT

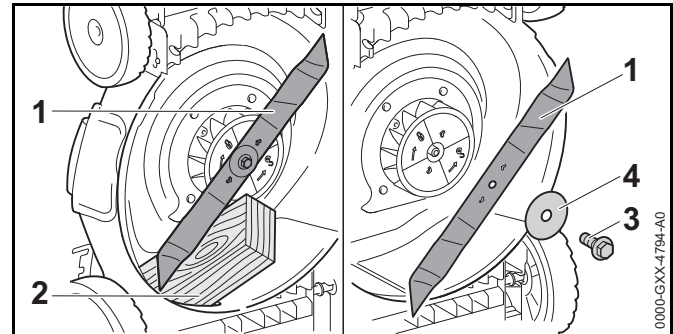
Une lame de tonte fissurée, endommagée ou usée peut se casser à une vitesse élevée et provoquer des blessures graves, voire mortelles. Pour réduire le risque de blessure par des pièces endommagées, vérifiez l'état de la lame de tonte avant de la monter et ensuite à de courts intervalles réguliers. Ne montez pas une lame de tonte usée, cassée ou endommagée.

### **⚠** AVERTISSEMENT

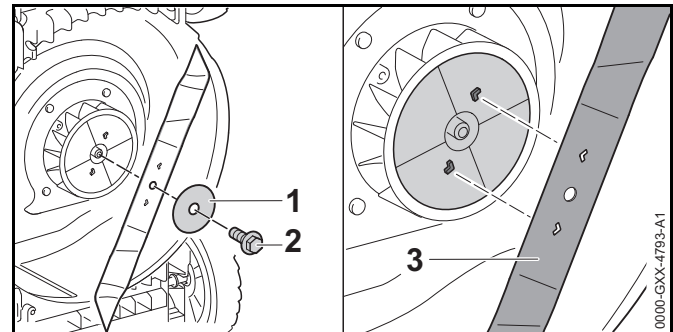
La lame de tonte a des arêtes tranchantes. Si elle entre en contact avec votre chair, elle peut vous couper, même si elle ne bouge pas. Portez toujours des gants de travail robustes lors du montage ou de toute autre manipulation de la lame de tonte,  5.5.

Pour remplacer la lame de tonte :

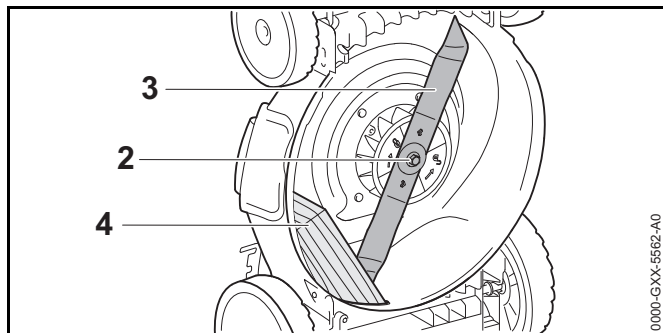
- ▶ Réglez la hauteur de coupe en position 4,  18.1.
- ▶ Repliez la poignée,  12.2.
- ▶ Placez la tondeuse à l'extrémité.



- ▶ Utilisez un morceau de bois (2) pour bloquer la lame de tonte (1).
- ▶ Retirez la vis (3).
- ▶ Retirez la lame de tonte, y compris la rondelle (4).



- ▶ Montez la rondelle (1) sur la vis (2).
- ▶ Enduisez la vis de Loctite 243 ou Loctite 242.
- ▶ Montez la lame de tonte (3) neuve comme décrit ci-dessus. Les éléments de retenue doivent s'adapter dans les trous dans la lame de tonte.








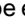



- ▶ Vissez la vis (2) avec la rondelle.
- ▶ Utilisez un morceau de bois (4) pour bloquer la lame de tonte (3).
- ▶ Serrez fermement la vis.

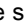
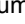


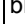
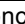



## 24 Guide de dépannage

### 24.1 Tondeuse et batterie

Toujours retirer la clé de sécurité et la batterie avant de procéder à des travaux d'inspection, de nettoyage ou de maintenance.

État	Voyants sur la batterie	Causes possibles	Solutions
La tondeuse ne démarre pas à la mise en marche.		Pas de contact électrique entre la tondeuse et la batterie.	<ul style="list-style-type: none"> <li>▶ Déposer la batterie,  14.2.</li> <li>▶ Vérifier visuellement les contacts électriques du compartiment batterie et ceux situés sur la batterie.</li> <li>▶ Réinsérer la batterie,  14.1.</li> </ul>
	1 voyant clignote en vert.	La charge de la batterie est faible.	▶ Recharger la batterie,  9.2.
	1 voyant est allumé en rouge.	Batterie trop chaude/trop froide.	▶ Laisser la batterie se réchauffer ou refroidir progressivement à des températures ambiantes comprises entre 10 °C et 20 °C (50 °F à 68 °F).
	4 voyants clignotent en rouge.	Dysfonctionnement de la batterie.	<ul style="list-style-type: none"> <li>▶ Déposer la batterie et la remettre en place,  14.</li> <li>▶ Mettre la tondeuse en marche,  15.1.</li> <li>▶ Si les voyants continuent de clignoter, ne pas essayer d'utiliser la tondeuse. La batterie présente un dysfonctionnement et doit être remplacée.</li> </ul>
	3 voyants sont allumés en rouge.	Tondeuse trop chaude.	▶ Laisser la tondeuse refroidir.
	3 voyants clignotent en rouge.	Dysfonctionnement de la tondeuse.	<ul style="list-style-type: none"> <li>▶ Déposer la batterie et la remettre en place,  14</li> <li>▶ Mettre la tondeuse en marche,  15.1.</li> <li>▶ Si les voyants clignotent encore, ne pas essayer d'utiliser la tondeuse. La tondeuse présente un dysfonctionnement et doit être vérifiée par un revendeur réparateur.</li> </ul>
		La lame de coupe est bloquée.	<ul style="list-style-type: none"> <li>▶ Augmenter la hauteur de coupe,  18.1.</li> <li>▶ Nettoyer la tondeuse,  22.1.</li> <li>▶ Mettre la tondeuse en marche dans de l'herbe plus basse.</li> </ul>

Toujours retirer la clé de sécurité et la batterie avant de procéder à des travaux d'inspection, de nettoyage ou de maintenance.

État	Voyants sur la batterie	Causes possibles	Solutions
La tondeuse s'arrête en cours de fonctionnement.	1 voyant est allumé en rouge.	Batterie trop chaude/trop froide.	<ul style="list-style-type: none"> <li>▶ Déposer la batterie,  14.2.</li> <li>▶ Laisser la tondeuse et la batterie refroidir progressivement à des températures ambiantes comprises entre 10 °C et 20 °C (50 °F à 68 °F).</li> </ul>
	3 voyants sont allumés en rouge.	Tondeuse trop chaude.	<ul style="list-style-type: none"> <li>▶ Augmenter la hauteur de coupe,  18.1.</li> <li>▶ Réduire la vitesse du système d'entraînement,  16.1.</li> <li>▶ Pousser la tondeuse plus lentement en avant.</li> </ul>
		La lame de coupe est bloquée.	<ul style="list-style-type: none"> <li>▶ Augmenter la hauteur de coupe,  18.1.</li> <li>▶ Nettoyer la tondeuse,  22.1.</li> <li>▶ Mettre la tondeuse en marche dans de l'herbe plus basse.</li> </ul>
Impossible d'activer le système d'entraînement.		Dysfonctionnement de la tondeuse.	<ul style="list-style-type: none"> <li>▶ Déposer la batterie et la remettre en place,  14</li> <li>▶ Essayer d'activer à nouveau le système d'entraînement,  16.1.</li> <li>▶ Si le système d'entraînement ne fonctionne toujours pas, ne pas essayer d'utiliser la tondeuse. La tondeuse présente un dysfonctionnement et doit être vérifiée par un revendeur réparateur.</li> </ul>
Le temps de fonctionnement est trop court.		Batterie pas entièrement chargée.	<ul style="list-style-type: none"> <li>▶ Recharger la batterie,  9.2.</li> </ul>
		La batterie a atteint ou dépassé sa durée de vie.	<ul style="list-style-type: none"> <li>▶ Faire vérifier la batterie par un revendeur réparateur STIHL agréé.</li> </ul>
La batterie ne se recharge pas bien que le voyant sur le chargeur soit allumé en vert.	1 voyant est allumé en rouge.	Batterie trop chaude/trop froide.	<ul style="list-style-type: none"> <li>▶ Laisser la batterie se réchauffer ou refroidir progressivement à des températures ambiantes comprises entre 10 °C et 20 °C (50 °F à 68 °F).</li> <li>▶ Utiliser le chargeur à l'intérieur, dans une pièce au sec. Pour des performances optimales, respecter les plages conseillées de températures ambiantes,  25.4.</li> </ul>

## 25 Spécifications

### 25.1 Tondeuse STIHL RMA 460.0 V

- Types de batteries agréées : Série STIHL AK
- Poids sans batterie : 28 kg (61,7 lbs.)
- Contenance maximale du bac de ramassage : 60 l (15,85 US gals)
- Largeur de coupe : 46 cm (18,1 in.)
- Vitesse de la lame de coupe : 3 200 tr/min
- Vitesse de la lame de coupe en mode ECO : 2 800 tr/min
- Vitesse automotrice : de 1 km/h à 4,5 km/h (0,6 mph à 2,8 mph).

Pour obtenir des informations techniques sur les batteries de la série STIHL AK, consulter les informations produit accompagnant votre batterie.

Pour obtenir des informations techniques sur les chargeurs des séries STIHL AL 101, 301 et 500, consulter les informations produit accompagnant votre chargeur.

Batteries, chargeurs et autres accessoires vendus séparément. Contacter votre revendeur réparateur STIHL agréé pour connaître les tarifs et la disponibilité.

### 25.2 Batterie STIHL série AK

Type de chargeur homologué : STIHL série AL 101, AL 301 ou AL 500.

- Technologie de la batterie : Lithium-Ion
  - Tension : 36 V
  - Capacité nominale en Ah<sup>1</sup>Voir plaque signalétique
  - Énergie stockée en Wh<sup>2</sup>Voir plaque signalétique
- <sup>1</sup> Capacité nominale calculée selon la norme IEC 61960. L'énergie utilisable dont dispose l'opérateur sera moindre.
- <sup>2</sup> La batterie est marquée avec son énergie stockée telle que fournie par le fabricant de la cellule. L'énergie utilisable dont dispose l'opérateur sera moindre.

- Poids en kg : Voir plaque signalétique

Pour une liste complète des temps de charge approximatifs, voir [www.stihl.com/charging-times](http://www.stihl.com/charging-times).

Pour une liste complète des durées de vie approximatives des batteries, voir [www.stihl.com/battery-life](http://www.stihl.com/battery-life).

### 25.3 Limites de température ambiante

#### AVERTISSEMENT

Des températures extrêmes peuvent endommager la batterie et entraîner également une surchauffe, une cassure, des fuites, une inflammation ou une explosion de celle-ci, ce qui peut provoquer des blessures graves ou mortelles ou des dommages matériels. Ne jamais recharger, utiliser ou entreposer la batterie en dehors des limites de température ambiante indiquées ci-dessous.

- ▶ Ne pas recharger la batterie à une température inférieure à - 20 °C (- 4 °F) ou supérieure à 50 °C (122 °F).
- ▶ Ne pas utiliser la tondeuse, la batterie ou le chargeur à une température inférieure à - 20 °C (- 4 °F) ou supérieure à 50 °C (122 °F).
- ▶ Ne pas entreposer la tondeuse, la batterie ou le chargeur à une température inférieure à - 20 °C (- 4 °F) ou supérieure à 70 °C (158 °F).

### 25.4 Recommandations concernant la température ambiante

Pour des performances optimales, respecter les plages de températures ambiantes suivantes pour la tondeuse, la batterie et le chargeur :

- Recharge : de 5 °C à 40 °C (41 °F à 104 °F)
- Utilisation : de -10 °C à 40 °C (14 °F à 104 °F)
- Entrepose : de - 20 °C à 50 °C (- 4 °F à 122 °F)

La recharge, l'utilisation ou l'entreposage de la batterie en dehors des plages conseillées de températures ambiantes peut diminuer ses performances.

Si la batterie devient humide ou mouillée pendant son fonctionnement, la laisser sécher pendant au moins 48 heures à des températures comprises entre 15 °C (59 °F) et 50 °C (122 °F) et à une humidité relative inférieure à 70 % avant de la recharger ou de la ranger. Une humidité élevée peut allonger le temps de séchage.

## 25.5 Symboles sur la tondeuse à gazon et la batterie

Symbole	Explication
V	Voit
Hz	Hertz
A	Ampère
Ah	Ampère-heure
W	Watt
Wh	Watt-heure
CC	Courant continu



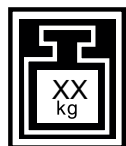
Clé de fusible



Prise de la clé de fusible



Commutateur pour le mode ECO



Poids de la tondeuse à gazon



Vitesse d'autopropulsion la plus élevée




Vitesse d'autopropulsion la plus basse



Niveau d'émission sonore



Les produits STIHL ne doivent pas être jetés avec les ordures ménagères, mais uniquement mis au rebut conformément aux lois et réglementations locales, nationales et fédérales et selon les indications figurant dans le présent manuel,  27.



Le scellé de la RBRC indique que le recyclage de la batterie a été prépayé par STIHL.



Courant continu



Nombre de cellules et énergie stockée selon les spécifications du fabricant des cellules. L'énergie utilisable sera réduite.

## 25.6 Améliorations technologiques

STIHL a pour philosophie l'amélioration constante de tous ses produits. Il en résulte occasionnellement des modifications et des améliorations technologiques. Par conséquent, certains changements, modifications et améliorations peuvent ne pas être couverts dans le présent manuel. Si les caractéristiques de fonctionnement ou l'aspect de votre appareil diffèrent de celles décrites dans le présent manuel, veuillez contacter le distributeur STIHL dans votre région pour obtenir de l'assistance.

## 25.7 Déclaration de conformité FCC 15 et déclarations ISED

Cet appareil est conforme à la partie 15 des Règles de la FCC et au RSS d'Industrie Canada.

L'utilisation est soumise aux deux conditions suivantes :

- cet appareil ne risque pas de causer des interférences préjudiciables.
- cet appareil doit accepter toute interférence reçue, y compris les interférences qui peuvent provoquer un fonctionnement non souhaité.

Remarque : Cet équipement a été soumis à essai et constaté conforme aux limites pour un appareil numérique de Classe B, en vertu de la partie 15 des règles FCC. Ces limites sont conçues pour apporter une protection

raisonnable contre les interférences préjudiciables dans une installation résidentielle. Cet équipement génère, utilise et peut émettre de l'énergie en radiofréquence et, s'il n'est pas installé et utilisé conformément aux instructions, peut causer des interférences préjudiciables aux radiocommunications. Il n'existe cependant aucune garantie que des interférences ne se produiront pas dans une installation particulière.

Si cet équipement provoque des interférences préjudiciables à la réception de radio ou de télévision, ce qui peut être déterminé par l'arrêt et la mise en marche de l'équipement, l'utilisateur est encouragé à essayer de corriger les interférences en prenant l'une des mesures suivantes :


- réorienter ou déplacer l'antenne de réception,
- accroître la séparation entre l'équipement et le récepteur,
- raccorder l'équipement à une prise électrique se trouvant sur un circuit différent de celui sur lequel est branché le récepteur,
- demander de l'aide à un distributeur agréé STIHL ou à un technicien radio/TV expérimenté.

N'apporter aucune modification ni transformation à ce produit, quelle qu'elle soit, à moins qu'elle soit spécifiquement autorisée dans le présent manuel, car celle-ci pourrait annuler votre autorisation d'utiliser ce produit.

Cet appareil numérique de classe B est conforme à la norme canadienne ICES-003

## 26 Pièces de rechange et équipement

### 26.1 Pièces de rechange originales STIHL

STIHL recommande d'utiliser des pièces de rechange originales STIHL. Les pièces STIHL authentiques peuvent être identifiées par le numéro de référence STIHL, le logo **STIHL** et, dans certains cas, par le symbole des pièces STIHL . Sur les petites pièces, seul le symbole peut figurer.

- ▶ Contactez votre distributeur agréé STIHL pour obtenir les informations les plus récentes sur l'élimination des déchets.
- ▶ Recyclez rapidement les batteries épuisées.
- ▶ Tenez les batteries hors de portée des enfants. Ne les démontez pas et ne les jetez pas au feu.



STIHL est engagée dans le développement de produits qui sont écologiquement responsables. Cet engagement ne s'arrête pas lorsque le produit quitte le distributeur agréé STIHL. STIHL a établi un partenariat avec la RBRC (Rechargeable Battery Recycling Corporation) pour promouvoir la collecte et le recyclage des batteries usagées STIHL au lithium-ion aux États-Unis et au Canada.

Le scellé de la RBRC indique que le recyclage de la batterie a été prépayé par STIHL. Le RBRC dispose d'un numéro d'appel gratuit (1-800-822-8837) qui vous permet d'obtenir des informations sur les centres de recyclage des batteries et ainsi que des informations sur les interdictions ou les restrictions relatives à la mise au rebut de la batterie dans votre région. Vous pouvez également retourner gratuitement votre batterie usagée à n'importe quel distributeur agréé STIHL pour recyclage.

## 27 Élimination

### 27.1 Mise au rebut de l'outil électrique

Les produits STIHL ne doivent pas être jetés avec les ordures ménagères ou mis au rebut différemment des indications figurant dans le présent manuel.

- ▶ Amenez l'outil électrique, les accessoires et l'emballage à un centre d'élimination approuvé pour le recyclage respectueux de l'environnement.
- ▶ Contactez votre distributeur agréé STIHL pour obtenir les informations les plus récentes sur l'élimination et le recyclage.

### 27.2 Recyclage de la batterie

#### AVERTISSEMENT

Manipulez les batteries déchargées/épuisées avec précaution. Même lorsqu'elles sont supposées déchargées, les batteries au lithium-ion ne peuvent jamais se décharger totalement et peuvent encore délivrer un courant de court-circuit dangereux. Si elles sont endommagées ou exposées à des températures extrêmes, elles peuvent fuir, génèrent de la chaleur, s'enflammer ou exploser.

- ▶ Respectez toutes les réglementations fédérales, nationales et locales en matière de mise au rebut.

## 28 Adresses

### 28.1 STIHL Limited

STIHL Limited  
1515 Sise Road  
London, ON. N6A 4L6  
CANADA









0458-818-8221-A

CDN



[www.stihl.com](http://www.stihl.com)



0458-818-8221-A