

**STIHL RT 5097, RT 5097 Z  
RT 5112 Z, RT 6112 ZL, RT 6127 ZL**

***STIHL***

- EN** Instruction manual
- ES** Manual de instrucciones
- PT** Manual de utilização
- EL** Οδηγίες χρήσης



RT 5097.1

RT 5097.1 Z

RT 5112.1 Z

RT 6112.1 ZL

RT 6127.1 ZL

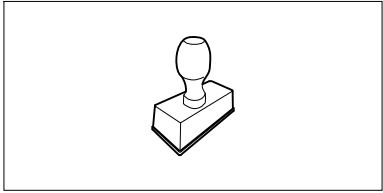
**D**

**EUR 2**



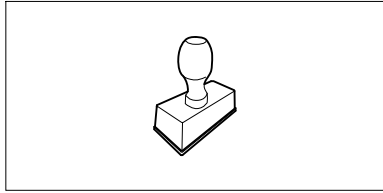


UU      2.0



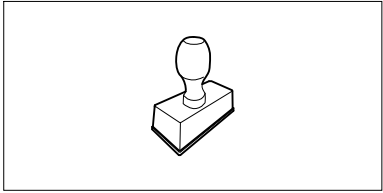
UU      2.0

UU      2.0



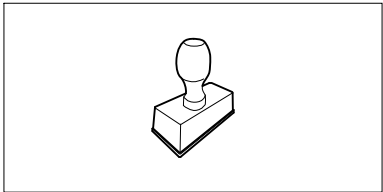
UU      2.0

UU      2.0



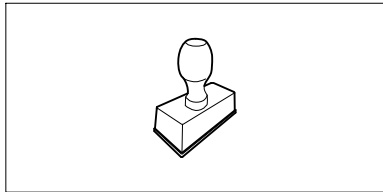
UU      2.0

UU      2.0



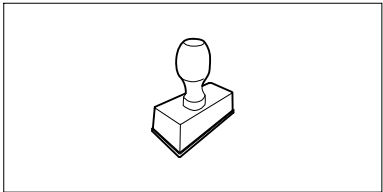
UU      2.0

UU      2.0



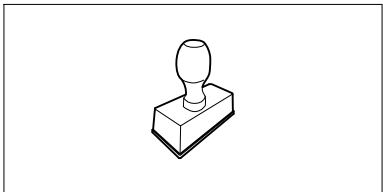
UU      2.0

UU      2.0



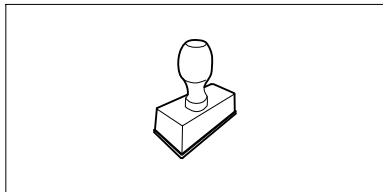
UU      2.0

UU      2.0



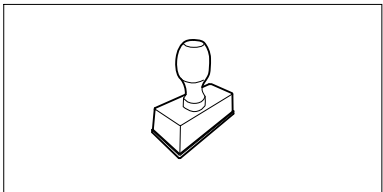
UU      2.0

UU      2.0



UU      2.0

UU      2.0



UU      2.0





## Dear Customer,

Thank you for choosing STIHL. We develop and manufacture our quality products to meet our customers' requirements. The products are designed for reliability even under extreme conditions.

STIHL also stands for premium service quality. Our specialist dealers guarantee competent advice and instruction as well as comprehensive service support.

We thank you for your confidence in us and hope you will enjoy working with your STIHL product.



Dr. Nikolas Stihl

**IMPORTANT: READ BEFORE USE AND  
KEEP IN A SAFE PLACE.**

## 1. Table of contents

<b>Notes on the instruction manual</b>	<b>4</b>
General	4
Instructions for reading the instruction manual	4
<b>Machine overview</b>	<b>6</b>
Ride-on mower	6
Dashboard	8
<b>For your safety</b>	<b>9</b>
General	9
Training – learning to use the machine	10
Transporting the ride-on mower	10
Refilling the tank – handling petrol	10
Clothing and equipment	11
Before operation	11
During operation	12
Maintenance and repairs	15
Storage for prolonged periods without operation	16
Disposal	16
<b>Description of symbols</b>	<b>17</b>
<b>Standard equipment</b>	<b>19</b>
<b>Operations prior to initial use</b>	<b>20</b>
<b>Controls</b>	<b>20</b>
Ignition lock with light switch	20
Throttle lever with choke function (RT 5097)	20
Throttle lever (RT 5097 Z, RT 5112 Z, RT 6112 ZL, RT 6127 ZL)	21
Choke knob (RT 5097 Z, RT 5112 Z, RT 6112 ZL, RT 6127 ZL)	21
Mowing deck switch (RT 5097, RT 5097 Z, RT 5112 Z)	22
Mowing deck button (RT 6112 ZL, RT 6127 ZL)	22
Cruise control button (RT 6112 ZL, RT 6127 ZL)	23
Reverse mowing safety switch	23
Driving direction selector lever	23
Steering wheel	24
Driver's seat adjustment	24
Drive pedal	24
Brake pedal	25
Parking brake	25
Cutting height adjustment lever	26
Grass catcher box emptying lever	26
Grass catcher box release lever	27
Gearbox freewheel lever	27
Level sensor (grass catcher box)	28
<b>Electronics</b>	<b>28</b>
Self-diagnosis when starting	28
Ride-on mower faults during operation	29
Electronics faults	29
<b>Display RT 6112 ZL, RT 6127 ZL</b>	<b>29</b>
5-digit segmental display	30
Set button	30
Mode button	30
Display of faults	30
Display of operating information	30
Display of active functions	31
<b>Notes on working with the machine</b>	<b>31</b>
<b>Safety devices</b>	<b>32</b>
<b>Operating the machine</b>	<b>33</b>
Filling the fuel tank	33
Starting the engine	34
Stopping the engine	34
Driving	35
Braking	35

Adjusting the cutting height	35	Charging the battery using the charger plug	57
Mowing	36	Replacing headlamp bulbs	58
Programming automatic disengagement of the mowing deck	36	Combustion engine	58
Emptying the grass catcher box	37	Gearbox	59
Removing and attaching the grass catcher box	37	Storage	59
Pulling loads	38	Extended periods of inoperation (e.g. winter break)	59
Operating on slopes	39	Following storage for extended periods (e.g. over winter)	59
<b>Mowing deck</b>	<b>39</b>	<b>Transport</b>	<b>59</b>
Removing the mowing deck	39	<b>Standard spare parts</b>	<b>60</b>
Installing the mowing deck	41	<b>Accessories</b>	<b>60</b>
<b>Maintenance</b>	<b>44</b>	<b>Environmental protection</b>	<b>60</b>
Maintenance schedule	44	<b>Minimising wear and preventing damage</b>	<b>60</b>
Cleaning the machine	45	<b>Declaration of conformity</b>	<b>61</b>
Opening the engine hood	46	EU declaration of conformity – STIHL RT 5097.1, RT 5097.1 Z, RT 5112.1 Z, RT 6112.1 ZL, RT 6127.1 ZL ride-on mower	61
Closing the engine hood	46	UKCA-Declaration of Conformity STIHL RT 5097.1, RT 5097.1 Z, RT 5112.1 Z, RT 6112.1 ZL, RT 6127.1 ZL Ride-On Mower	62
Removing the discharge chute	46	<b>Technical specifications</b>	<b>63</b>
Installing the discharge chute	46	Dimensions	66
Fuel cock	47	REACH	66
Checking the engine oil filling level	47	<b>Troubleshooting</b>	<b>67</b>
Changing the engine oil	47	<b>Service schedule</b>	<b>69</b>
Topping up engine oil	48	Handover confirmation	69
Checking the safety devices	48	Service confirmation	70
Cleaning the level sensor (grass catcher box)	49		
Mowing blade maintenance	49		
Checking the installation position of the mowing deck	52		
Changing the wheels	52		
Tyre pressure	54		
Lubrication	54		
Opening and closing the battery compartment	54		
Removing and installing the battery	55		
Fuses	57		

## 2. Notes on the instruction manual

### 2.1 General

This instruction manual is a **translation of the original manufacturer's instructions** in the sense of EC Directive 2006/42/EC.

STIHL is continually striving to further develop its range of products; we therefore reserve the right to make alterations to the form, technical specifications and equipment level of our standard equipment.

For this reason, the information and illustrations in this manual are subject to alterations.

This instruction manual may describe models that are not available in all countries.

This instruction manual is protected by copyright. All rights reserved, especially the right of reproduction, translation and processing using electronic systems.

### 2.2 Instructions for reading the instruction manual

Illustrations and texts describe specific operating steps.

All symbols which are affixed to the machine are explained in this instruction manual.

**Viewing direction:**

Viewing direction when "left" and "right" are used in the instruction manual: the user is standing behind the machine and is looking forwards in the direction of travel.

**Section reference:**

References to relevant sections and subsections for further descriptions are made using arrows. The following example shows a reference to a section: (⇒ 4.)

**Designation of text passages:**

The instructions described can be identified as in the following examples.

Operating steps which require intervention on the part of the user:

- Release bolt (1) using a screwdriver, operate lever (2)...

General lists:

- Use of the product for sporting or competitive events

**Texts with added significance:**

Text passages with added significance are identified using the symbols described below in order to especially emphasise them in the instruction manual:

**Danger**

Risk of accident and severe injury to persons. A certain type of behaviour is necessary or must be avoided.

**Warning**

Risk of injury to persons. A certain type of behaviour prevents possible or probable injuries.

**Caution**

Minor injuries or material damage can be prevented by a certain type of behaviour.

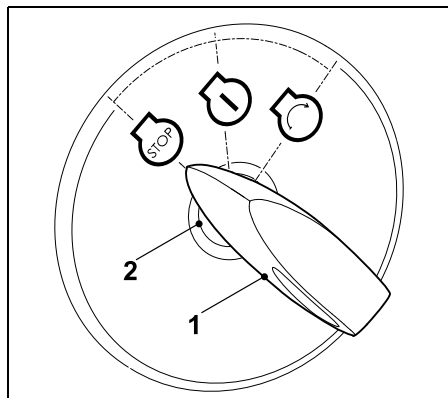
**Note**

Information for better use of the machine and in order to avoid possible operating errors.

**Illustrations with text passages:**

Operating steps relating directly to the illustration can be found immediately after the illustration, with a corresponding reference to the item numbers.

Example:



Insert ignition key (1) in ignition lock (2).

**Texts relating to illustrations:**

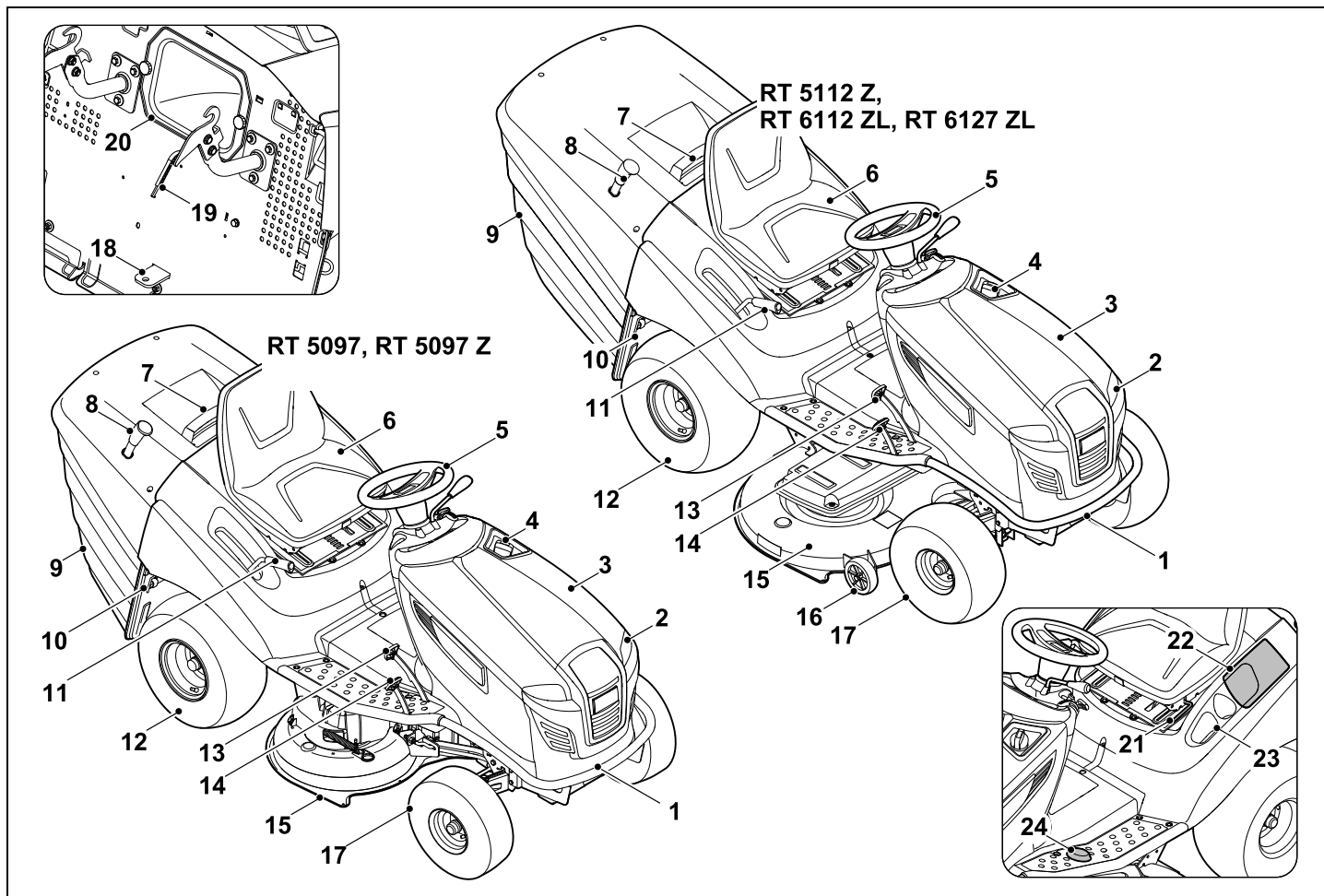
Illustrations relating to use of the machine can be found in the front of this instruction manual.

The camera symbol serves to link the figures on the illustration pages with the corresponding text passages in the instruction manual.



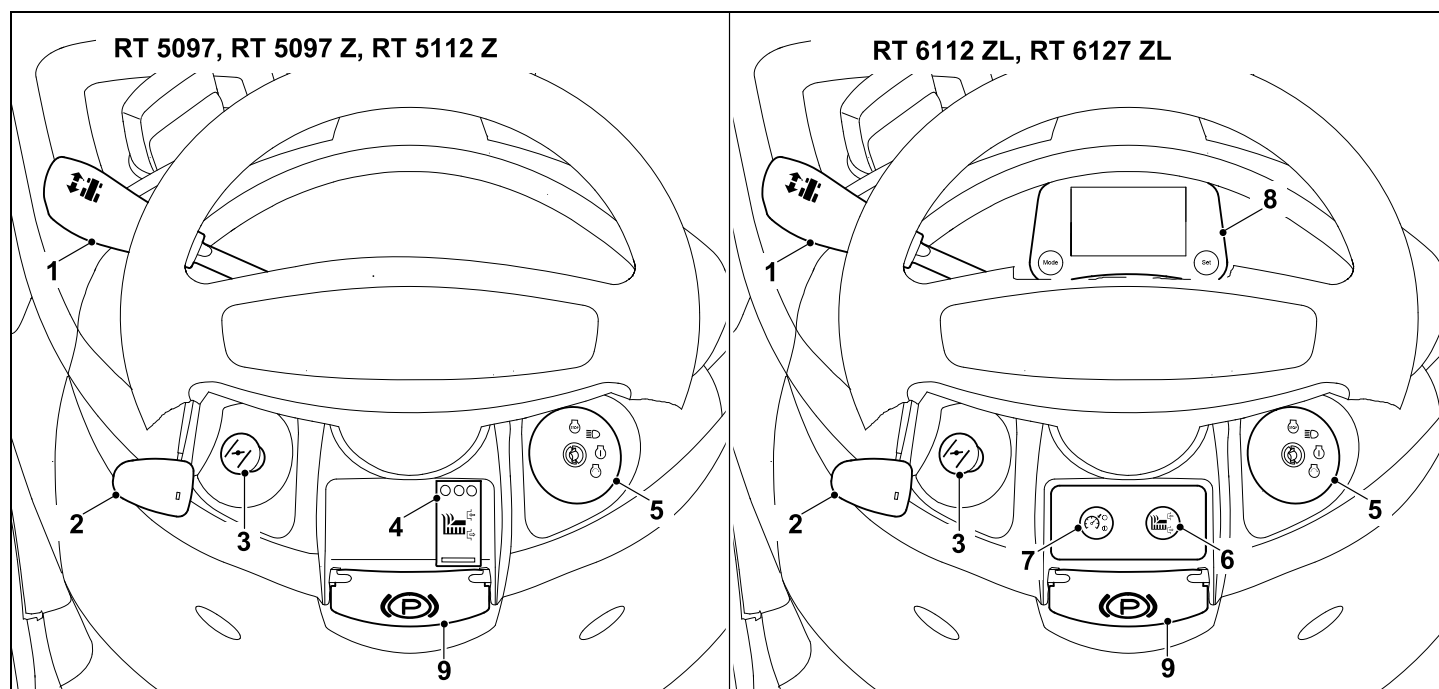
### 3. Machine overview

#### 3.1 Ride-on mower



- 1 Bumper
- 2 Headlamp
- 3 Engine hood
- 4 Tank cap
- 5 Steering wheel
- 6 Driver's seat
- 7 Grass catcher box handle with grass catcher box release lever
- 8 Grass catcher box emptying lever
- 9 Grass catcher box
- 10 Gearbox freewheel lever
- 11 Cutting height adjustment lever
- 12 Rear wheel
- 13 Brake pedal
- 14 Drive pedal (driving speed)
- 15 Mowing deck
- 16 Gauge wheels
- 17 Front wheel
- 18 Trailer hitch
- 19 Level sensor (grass catcher box)
- 20 Discharge chute
- 21 Driver's seat adjustment lever
- 22 Battery compartment
- 23 Beverage compartment
- 24 Reverse mowing safety switch

## 3.2 Dashboard



- |   |  |   |   |
|---|--|---|---|
| 1 | Driving direction selector lever<br>(forward – reverse)<br>(⇒ 8.9)             | 4 | Mowing deck switch<br>(RT 5097, RT 5097 Z, RT 5112 Z)<br>(⇒ 8.5)    |
| 2 | Throttle lever with integrated<br>choke function<br>(RT 5097)<br>(⇒ 8.2)       | 5 | Ignition lock with light switch<br>(⇒ 8.1)                          |
| 2 | Throttle lever<br>(RT 5097 Z, RT 5112 Z,<br>RT 6112 ZL, RT 6127 ZL)<br>(⇒ 8.3) | 6 | Mowing deck button<br>(RT 6112 ZL, RT 6127 ZL)<br>(⇒ 8.6)           |
| 3 | Choke knob<br>(RT 5097 Z, RT 5112 Z, RT 6112.1<br>ZL, RT 6127.1 ZL)<br>(⇒ 8.4) | 7 | Cruise control button<br>(RT 6112 ZL, RT 6127 ZL)<br>(⇒ 8.7)        |
|   |  | 8 | Display with control buttons<br>(RT 6112 ZL, RT 6127 ZL)<br>(⇒ 10.) |
|   |  | 9 | Parking brake lever<br>(⇒ 8.14)                                     |

## 4. For your safety

### 4.1 General



These safety regulations must be observed when working with the machine.



Read the entire instruction manual before using the machine for the first time. Keep the instruction manual in a safe place for future reference.

Observe the operating and maintenance instructions contained in the separate engine instruction manual.

These safety precautions are essential for your safety, however the list is not exhaustive. Always use the machine in a reasonable and responsible manner and be aware that the user is responsible for accidents involving third parties or their property.



#### **Risk of death from suffocation!**

Packaging material is not a toy - danger of suffocation! Keep packaging material away from children.

Only give or lend the machine, including any accessories, to persons who are familiar with this model and how to operate it. The instruction manual forms part of the machine and must always be provided to persons borrowing it.

Make sure that the user is physically, sensorily and mentally capable of operating the machine and working with it. If the user is physically, sensorily or

mentally impaired, the machine must only be used under supervision or following instruction by a responsible person.

Make sure that the user is of legal age or being trained under supervision in a profession in accordance with national regulations.

The machine must only be operated by persons who are well rested and in good physical and mental condition. If your health is impaired, you should consult your doctor to determine whether working with the machine is possible. The machine should not be operated after the consumption of alcohol, drugs or medications which impair reactions.

#### **Caution – risk of accident!**

The ride-on mower is only intended for mowing lawns; its use for other purposes is not permitted.

The machine must only be equipped with original STIHL accessories. These enable further applications. Information is available from your STIHL specialist dealer.

Due to the physical danger to the user or other persons, the machine must not be used, for example, for the following applications (incomplete list):

- for cutting creepers,
- for shredding or chopping tree or hedge cuttings,
- for clearing paths (vacuuming, blowing),
- for snow clearing using the mowing deck,
- for the care of lawn roofs,
- for levelling earth mounds, e.g. mole hills.

- for transporting clippings, except in the grass catcher box intended for this purpose.

The machine is not approved for use on public roads.

The carrying of persons (especially children) and animals is not permitted.

Never climb onto the mowing deck, and in particular the gauge wheels.

Objects must not be transported on the machine, but only with the aid of a trailer approved by STIHL (accessory). The weight limits must be observed. (⇒ 13.11)

Particular care is required during use in public green spaces, parks, sports fields, along roads and in agricultural and forestry businesses.

The machine must not be used for sporting or competitive events.

For safety reasons, any modification to the machine, except the proper installation of accessories or attachments approved by STIHL is forbidden and results in voiding of the warranty cover. Information regarding approved accessories and attachments can be obtained from your STIHL specialist dealer.

In particular, any tampering with the machine which increases the power output, engine speed or driving speed is forbidden.

The machine is equipped with electronics which must not be modified or removed.

For safety reasons, the machine software must never be modified or tampered with.



#### **Caution! Danger to health due to vibrations.**

Excessive exposure to vibrations can result in damage to the cardiovascular or nervous system,

particularly in persons with cardiovascular problems. Please consult a physician if you experience symptoms that may have been caused by vibrational loads. Symptoms of this kind principally affect the fingers, hands or wrists and include (incomplete list):

- numbness,
- pain,
- muscular weakness,
- skin discolouration,
- unpleasant tingling sensation.

Hold the handlebar tightly, but not tensed, with both hands in the designated locations during operation.

Plan your working times so that more severe physical strains over a longer period are avoided.

---

## 4.2 Training – learning to use the machine

Make sure that you are familiar with the controls and operation of the machine. In particular, the user must know how the work tools and engine can be stopped quickly.

The machine must only be used by persons who have read the instruction manual and are familiar with operation of the machine. The user should seek expert and practical instruction prior to initial operation. The user must receive instruction on safe use of the machine from the vendor or another expert.

During this instruction, the user should be made aware

- that the utmost care and concentration are required for working with the machine.
- that a ride-on mower which is sliding down a slope cannot be brought under control by applying the brake.

The main causes for the loss of control over the ride-on mower include:

- inadequate adhesion of the wheels,
- driving too fast,
- inappropriate braking,
- incorrect use (sport events, etc.),
- inadequate knowledge of the effects associated with ground conditions, especially on slopes (see section "For your safety", "Working on slopes"),
- incorrect attachment of loads and poor load distribution.

Residual risks persist even if you operate the machine according to the instructions.

---

## 4.3 Transporting the ride-on mower

On account of its own weight, the ride-on mower can cause severe crush injuries. Particular care must be taken when loading or unloading the ride-on mower onto/from a vehicle or trailer for transport purposes.

This ride-on mower must not be towed. For transporting on public roads, a suitable vehicle or a suitable trailer must be used.

During transport, secure the ride-on mower to a load floor as described in this instruction manual. Always engage the parking brake. (⇒ 16.)

Prior to transporting or storage, disengage the drive to the mowing blade or attachments.

When transporting the machine, always observe regional legislation, especially regarding load security and the transport of objects on load floors.

Allow the machine, in particular the engine and muffler, to cool down completely after loading and before further transport. The load floor and the area around the muffler and engine must be kept free of combustible materials such as straw, leaves or dry grass residues.

---

## 4.4 Refilling the tank – handling petrol



### Danger to life!

Petrol is poisonous and extremely inflammable.

Petrol must only be stored in appropriate, tested containers (canisters). Always screw on the fuel tank and canister caps properly and tightly. Defective caps must be replaced for safety reasons.



Keep petrol away from sparks, naked flames, pilot lights, heat sources and other ignition sources. Do not smoke!

Refill the tank out-of-doors and do not smoke during refilling.

Before refilling the tank, stop the engine and allow it to cool.

Refilling with petrol must be performed before the engine is started. When the engine is running or is hot, the tank cap must not be removed and the tank must not be refilled with petrol.



Open the fuel tank cap slowly and carefully. Wait for pressure compensation and only then remove the tank cap completely.

Use a suitable funnel or filling pipe for refilling the tank, so that no fuel can spill onto the engine and housing or the lawn.

#### Do not overfill the fuel tank!

To give the fuel room to expand, never fill the fuel tank past the lower edge of the filler neck.

Observe the additional instructions in the engine instruction manual.



If petrol is spilled, the engine must only be started after the petrol-contaminated area has been cleaned. All attempts at starting must be avoided until the petrol fumes have dispersed (wipe dry).

Any spilt fuel must be wiped up immediately.

Clothing must be changed if it comes into contact with petrol.

Following each refilling of the tank, the fuel tank cap must be properly screwed on and tightened. The machine must not be operated without the original tank cap.

For safety reasons, the fuel line, fuel tank, tank cap and connections must be checked regularly for damage, ageing (brittleness), firm seating and leaks. Replace if necessary (consult a specialist dealer; STIHL recommends STIHL specialist dealers).

If it is necessary to drain the tank, this must be done out of doors.

Never use beverage bottles or similar for disposal or storage of fuels and lubricants. Persons, particularly children, could be tempted to drink out of them.

Never store the machine with petrol in the tank inside a building. The resulting petrol fumes could come into contact with naked flames or sparks and could be ignited.

Do not leave the machine and the fuel tank close to heating systems, radiant heaters, welding equipment and other sources of heat. **Explosive hazard!**

---

## 4.5 Clothing and equipment



Always wear sturdy footwear with high-grip soles when working. Never work barefoot or, for example, in sandals.

Always wear long trousers and tight-fitting clothing when operating the machine.

Never wear loose clothes which may become caught on moving parts (control levers) – do not wear jewellery, ties or scarves.



Also always wear sturdy gloves and tie up and secure long hair (headscarf, cap, etc.) when performing maintenance and cleaning work or when transporting the machine.



Wear suitable safety glasses when sharpening the mowing blade.



Noise is produced when working. Noise may damage the hearing.

Wear hearing protection.

---

## 4.6 Before operation

Make sure that only persons who are familiar with the instruction manual are permitted to use the machine.

Check the fuel system (particularly visible parts such as e.g. tank, tank cap, hose connections) before operating the machine. In the event of any leaks or damage, do not start the engine – **fire hazard!**

Have the machine repaired by a specialist dealer prior to operation.

Observe the local regulations regarding permitted operating times for gardening power tools with combustion engines or electric motors.

Completely inspect the area on which the machine is to be used and remove any stones, sticks, wires, toys and other foreign objects that could be thrown up by the machine. Obstacles (e.g. tree stumps, roots) can be easily overlooked in long grass.

For this reason, mark all foreign objects (obstacles) which are hidden in the lawn and cannot be removed before commencing work with the machine.

All faulty, worn or damaged parts must be replaced before using the machine. Replace any illegible or damaged danger signs and warnings on the machine. Your STIHL specialist has a supply of replacement stickers and all the other spare parts.



### Risk of injury!

Worn or damaged parts (e.g. blunt blades) can affect the safety of the machine and result in injury to the user.

Never use the machine with damaged safety devices or with safety devices removed.

Spring-loaded mechanisms may release stored energy. Spring-loaded mechanisms must be undamaged and working.

The braking function must be checked before each use. (⇒ 13.5)

Before each use, check whether:

- the cutting tool and the entire cutting unit (mowing blade, blade clutch, blade brake, retaining pin, mowing deck housing) are in good condition. Particularly check for secure fastening, damage and wear.
- the tank cap is securely attached.
- the tank and fuel-carrying parts as well as the tank cap are in good condition.
- the safety devices are in good condition and function correctly.
- the tyres (inflation pressure, damage, wear) and frame are in good condition. Check that all screw connections are securely fastened. In particular, all maintenance operations listed in the maintenance schedule under the heading "Before each use" must be carried out. (⇒ 15.1)

If necessary, consult a specialist dealer. STIHL recommends STIHL specialist dealers.

#### 4.7 During operation



Never work in the vicinity of other people, particularly children, or animals. Ensure that the grass is never

discharged in the direction of other people.

Do not operate the machine in the rain or during thunder storms, particularly when there is a risk of lightning strike.

#### Exhaust gases:



##### **Danger to life through poisoning!**

In the case of nausea, headache, impaired vision (e.g. decreasing field of view) hearing disorder, dizziness, decreasing power of concentration, stop working immediately. These symptoms may be caused by excessively high exhaust gas concentrations.



The machine generates poisonous exhaust gases when the engine is running. The gases contain poisonous carbon monoxide, a colourless and odourless gas, as well as other pollutants. The engine must never be operated in closed or poorly ventilated spaces.

#### Starting:

The machine must only be started from the driver's seat.

Start the machine on level ground, not on a slope.

The engine may only be started in a well ventilated working area, sufficient ventilation must be ensured, particularly in garages.

Before starting the engine, disengage the cutting tool, attachments and drive and press down the brake pedal fully.

When starting, it must be ensured that there is sufficient clearance between the feet and the cutting tool.

Never start the engine by short-circuiting the starter terminal. If the normal starter circuit is bypassed, the ride-on mower may suddenly be set in motion.

Never start the engine if the smell of petrol can be detected – **Explosive hazard!**

#### Working:



##### **Warning – risk of injury!**

Observe the working area of the mowing blade. Never put hands or feet on or underneath rotating parts. Never touch the rotating mowing blade. Always keep away from the discharge opening. An adequate safety distance must always be maintained.



Only work during the day or with good artificial light.

When driving off the lawn or when not mowing, the mowing blades must be disengaged and the mowing deck must be set to the highest cutting position.

Objects hidden in the turf (lawn sprinkler systems, posts, water valves, foundations, electrical wires, etc.) must be avoided. Never run over any such foreign objects.

Always hold the steering wheel firmly with both hands when driving.

Particular care must be taken when driving on lawns and other uneven surfaces, as the steering wheel can be made to turn due to holes, mounds, impacts, etc.

##### **Risk of injury to hands and fingers!**

If, during operation, a defect in the tank, tank cap or in the fuel-carrying components (fuel lines) is detected, the engine must be stopped immediately. A specialist dealer must then be contacted. STIHL recommends STIHL specialist dealers.

Beware of depressions (holes) in the terrain and other invisible points of danger. Obstacles can be easily overlooked in long grass.

Always drive at a reasonable speed.

Use the machine with great care when working near slopes, rubbish piles, terraces, ditches and embankments. In particular, ensure that you maintain sufficient distance to such danger areas.

Particular care must be taken at points of poor visibility, bushes, trees and other obstacles, behind which persons, especially children, or animals may be hidden.

Bring the ride-on mower to a standstill immediately and stop the mowing blade if someone moves into the area to be mown.

Always monitor the area in front of the vehicle. Beware of obstacles, in order to be able to evade them in time.

When working together in a group, always inform the others in advance of what you intend to do. Maintain a safety distance!

The vehicle speed must be reduced before each change of direction, so that the user retains control of the machine at all times and also that the ride-on mower cannot tip over.

When operating near to roads and when crossing roads, other road users must be taken into account.

Before reversing, always check the area behind the ride-on mower and, if present, disengage the attachment. Never mow in reverse, if it is not absolutely necessary. When mowing in reverse, take particular care and before beginning to mow, thoroughly check the entire area behind the ride-on mower.

Take particular care when mowing near roads, cycle paths and footpaths. Objects which are thrown up by the mower can cause severe injury and damage.

Only empty the grass catcher box from the driver's seat.

Before emptying the grass catcher box, always disengage the mowing blades and wait until they have come to a standstill.

When operating the ride-on mower with attachments, always follow the instructions and safety regulations supplied with the attachments.

Switch off the drive, stop the engine and wait until the mowing blades have come to a complete standstill, engage the parking brake and remove the ignition key:

- when leaving or when transporting the machine.
- before remedying blockages, including those in the discharge chute.
- before checking, cleaning or working on the ride-on mower.
- if the mowing blades have hit an obstacle. Inspect the machine and the cutting tool for damage and have any necessary repairs performed before re-starting. On the models RT 5112 Z, RT 6112 ZL and RT 6127 ZL, additionally check the installation position of the mowing blades – the mowing deck must not be engaged if the angle of the blades relative to each other is not as specified in the section "Mowing blade maintenance". (⇒ 15.13)
- if the machine begins to vibrate excessively. An immediate check must be performed.

Stop the engine and wait until the mowing blades have come to a complete standstill:

- Before filling with fuel.
- Before removing the grass catcher box.

- Before opening the engine hood.

### Driving with cruise control:

Activating cruise control in the wet or under adverse ground conditions as well as when pulling loads increases the accident risk.

When cruise control is switched off, the ride-on mower brakes abruptly.

Cruise control is an aid that provides assistance when driving. The responsibility for the driving speed and for timely braking always lies with the user.

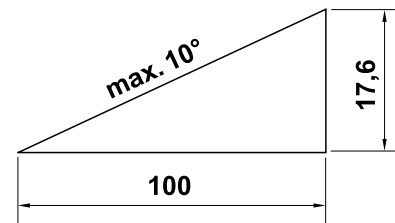
Cruise control does not react to obstacles or to altered ground conditions. If an obstacle cannot be avoided at the set driving speed, cruise control must be switched off.

### Working on slopes:

Slopes are one of the major causes of accidents in which control over the ride-on mower is lost causing it to tip over, which can result in severe or even fatal injuries.

There is no "safe" slope! Driving on grassy slopes requires special concentration.

For safety reasons, the machine must not be used on slopes with an inclination of more than 10° (17.6 %). **Risk of injury!** A slope inclination of 10° corresponds to a vertical height increase of 17.6 cm for a 100 cm horizontal distance.



In order to ensure an adequate oil supply for the engine, the information in the accompanying engine instruction manual must be additionally observed when using the machine on slopes.

If you cannot drive up the slope in reverse or if you have doubts regarding safety, you should not drive on the slope.

Starting off or stopping on a gradient must be avoided.

Do not use the machine in places (slopes, ditches, etc.) where the ride-on mower can tip over or slide. The danger of tipping over or sliding increases if the ground is soft or damp.

Slopes must be driven on in a longitudinal direction. Driving transversely increases the danger of tipping over.

Do not change speed or direction abruptly when driving on slopes. Work in this type of situation requires calm, cautious and even operation of the ride-on mower.

Changes of direction on slopes must be avoided. Only turn on slopes if this is unavoidable. If possible, drive slowly and in a large curve in the down-slope direction.

Do not mow wet grass, particularly on slopes, as wheel grip is reduced on wet grass. The ride-on mower could slide and become uncontrollable for the user.

The gearbox must never be disengaged via the gearbox freewheel when driving on slopes.

Special care must be taken when operating attachments on slopes (altered weight distribution of the machine).

If the wheels should start to slip or if the vehicle becomes stuck in the up-slope direction when driving on an incline, the

mowing blades or the attachment must be disengaged. Then leave the slope by driving slowly downhill in a straight line.

Never try to stabilise the ride-on mower by pressing on the ground with your foot.

The weight of the grass catcher box increases the danger of the ride-on mower tipping over, particularly when it is full.

Never empty or lift the grass catcher box on an incline.

Due to the increased risk of accident, cruise control must not be used:

- In situations which do not permit driving at constant speed (e.g. adverse ground conditions due to wet conditions or on slopes).
- On slippery surfaces. The wheels may lose their grip and the vehicle can skid.
- If visibility is poor (e.g. due to fog, heavy rain or at night).

#### **Pulling loads:**

Particular care must be taken when pulling loads, in order to prevent the risk of severe or even fatal injuries due to the ride-on mower tipping over.

Only use accessories approved by STIHL for transporting objects. Transportation on the ride-on mower, in or on the grass catcher box is not permitted.

For pulling loads, use only the trailer hitch. Loads must never be attached to the axle housing or to another point above the trailer hitch.

Please refer to the section "Pulling loads" for information on pulled and coupling loads. (⇒ 13.11)

Exceeding the specified pulled load is dangerous and may result in damage to the machine (engine, gearbox, etc.).

When transporting on slopes, the loads must be adapted so that safe handling of the ride-on mower (e.g. braking, change of direction, starting off) is ensured at all times.

Check whether loads are properly and securely fastened. Use lashing straps for securing loads.

Ensure balanced load distribution.

Use suitable additional weights (accessories) if this is described in the instruction manual for the attachment.

Do not execute tight curves. Particular care must be taken when reversing.

Do not change speed or direction abruptly.

#### **Stopping and parking:**

The ride-on mower must only be parked on a level surface.

Make sure that the ride-on mower has come to a complete standstill before you dismount.



Beware of the cutting tool running on for several seconds before coming to a standstill.

Before leaving the driver's seat, disengage the mowing blades or the drive to the attachments, lower the mowing deck and all attachments, set all control levers to the neutral position, engage the parking brake, stop the engine and remove the ignition key.

Keep the ignition key in a place where only authorised persons can access it.

## 4.8 Maintenance and repairs



Before beginning cleaning, adjustment, repair and maintenance operations, park the machine on firm, level ground, engage the parking brake, stop the engine, allow it to cool down and remove the ignition key.

Allow the machine to cool down before working on or around the engine, exhaust manifold or muffler; this also applies in particular to all maintenance operations on the mowing deck. Temperatures of 80 °C and above can be reached. **Danger of burns:**

Direct contact with engine oil can be dangerous. Engine oil must not be spilled. STIHL recommends leaving the task of topping up engine oil or performing engine oil changes to a STIHL specialist dealer.

### Cleaning:

Following operation, the entire ride-on mower and the attachments must be cleaned. In particular, all grass residues must be removed because the moisture these contain leads to damage in the long term.

STIHL does not recommend the use of high-pressure cleaners. (⇒ 15.2)

Remove the mowing deck for cleaning operations. Never clean the mowing deck using water under high pressure (e.g. garden hose) or by engaging the mowing deck in puddles of water.

Never drive close to an edge or a ditch for the purpose of cleaning (e.g. the frame of) the ride-on mower.

In order to prevent fire hazards, keep the engine, cooling ribs, battery compartment, area around the fuel tank and exhaust free from grass, leaves or escaping oil (or grease).

Always clean the grass catcher box.

### Maintenance operations:

Only maintenance operations described in this instruction manual may be carried out. Have all other work performed by a specialist dealer.

If you do not have the necessary expertise or auxiliary equipment, please **always** contact a specialist dealer.

STIHL recommends that you have maintenance operations and repairs performed exclusively by a STIHL specialist dealer.

STIHL specialist dealers regularly attend training courses and are provided with technical information.

Only use tools, accessories or attachments approved for this machine by STIHL or technically identical parts. Otherwise, there may be a risk of accidents resulting in personal injury or damage to the machine. If you have any questions, please consult a specialist dealer.

The characteristics of original STIHL tools, accessories and spare parts are optimally adapted to the machine and the user's requirements. Genuine STIHL spare parts can be recognised by the STIHL spare parts number, by the STIHL lettering and, if present, by the STIHL spare parts symbol. On smaller parts, only the symbol may be present.

The ride-on mower and all attachments should be inspected once annually by a specialist dealer. (⇒ 15.1)

Always keep warning and information stickers clean and readable. Damaged or missing stickers must be replaced by new, original plates from your STIHL specialist dealer. If a component is replaced with a new component, ensure that the new component is provided with the same stickers.

For safety reasons, fuel-carrying components (fuel line, fuel cock, fuel tank, tank cap, connections, etc.) must be checked regularly for damage and leaks and replaced by a technician if necessary (STIHL recommends STIHL specialist dealers).

Before starting work on or near electrical components, the negative (–) cable must be disconnected from the battery.

The machine is equipped with numerous safety devices. These devices must not be removed or modified (bypassed, etc.) and must be checked at regular intervals. Operations on the safety devices must only be carried out by a technician. STIHL recommends STIHL specialist dealers for this purpose.

Be aware that moving one cutting tool results in the turning of the other cutting tools.

Ensure that all nuts, pins and screws, especially the blade fastening screws, are securely tightened, so that the machine is in a safe operating condition.

For safety reasons, worn or damaged parts must be replaced immediately.

Check the grass catcher unit (e.g. grass catcher box, discharge chute) regularly for wear, damage or loss of functionality.

Particular care is required when working under the machine, due to the weight of the ride-on mower. Consult your specialist

dealer for this purpose; STIHL recommends STIHL specialist dealers. They will have a workshop pit or a hydraulic working platform.

Check the secure fastening of the front and rear wheels.

Always maintain the ride-on mower and the attachments in perfect operating condition. All safety devices must be present and be in perfect operating condition.

Ensure that the tyres have the correct tyre pressures. The tyre pressures specified in the instruction manual must not be exceeded.

Only perform work on the mowing blades when wearing thick work gloves and exercising extreme care.

Check the function of the brakes at regular, short intervals and, if necessary, have the required adjustments or maintenance operations performed by a technician. STIHL recommends STIHL specialist dealers.

#### **Electrical system and battery:**

In order to prevent sparks due to short circuiting, the negative (–) cable must always be disconnected from the battery first and reconnected last.



Never smoke when working on the battery. Sparks, naked flames and other heat sources must be kept away from the battery.

Particular care is necessary when using battery jump leads. Observe the relevant instructions in order to prevent damage to the ride-on mower (in particular, actuate the starter for a maximum of 10 seconds). (⇒ 13.2)

When charging the battery using another charging system, observe the instructions in section "Charging the battery". (⇒ 15.21)

Never open the battery and do not drop it.

Always charge the battery in an enclosed, well-ventilated room which is dry and weather-protected.

Do not short circuit the battery connections.

Deformed or faulty (leaking) batteries must not be used and must be replaced and disposed of in an environmentally-friendly manner. Observe country-specific legislation.

Fluid may escape from faulty batteries. Avoid contact! In the case of inadvertent contact, rinse with water. Seek medical attention if the fluid contacts the eyes. Escaping battery fluid can cause skin irritation and burns.

Visually inspect the battery connection cables for damage at regular intervals. Have damaged cables replaced by a technician.

Never bypass the fuses. Never use a fuse with a value that differs from the specified rating (ampere).

---

#### **4.9 Storage for prolonged periods without operation**

Allow the engine to cool before storing the machine in an enclosed space.

Store the ride-on mower with empty fuel tank and the fuel reserve in a lockable and well-ventilated room.

Never store the machine with petrol in the fuel tank inside a building in which the petrol fumes could come into contact with naked flames or sparks.

If the tank has to be emptied (e.g. immobilisation before the winter break), the fuel tank must be emptied out of doors only (empty the tank by running the engine out of doors, for example).

Store the machine in good operational condition.

The ignition key must always be removed and kept in a safe place, to prevent unauthorised or improper use by children or other persons.

Thoroughly clean the ride-on mower before storage (e.g. winter break). Dry grass residues and leaves near to the muffler may ignite. **Danger of combustion!**

Allow the machine to cool down completely before covering it.

Perform all the necessary maintenance operations before storing the machine. (⇒ 15.1)

The battery cables must be disconnected if the ride-on mower is immobilised for longer periods. STIHL recommends removing the battery and storing it in a dry and locked place. (⇒ 15.19)

Ensure that batteries are protected from unauthorised use (e.g. by children).

---

#### **4.10 Disposal**

Waste products such as used engine oil or fuel, used lubricants, filters, batteries and similar wearing parts can be harmful to

people, animals and the environment, and must consequently be disposed of properly.

Consult your recycling centre or your specialist dealer for information on the proper disposal of waste products. STIHL recommends STIHL specialist dealers.

Ensure that old machines are properly disposed of. Render the machine unusable prior to disposal. In order to prevent accidents, ensure that you remove the ignition key, the battery and the ignition lead on the engine.

#### **Risk of injury due to the mowing blade!**

Always store an old ride-on mower in a safe place prior to scrapping. Ensure that the machine and particularly the mowing blades are kept out of the reach of children.

The battery must be disposed of separately from the machine. Ensure that batteries are disposed of safely and in an environmentally friendly manner.

## 5. Description of symbols



#### **Attention!**

Read the instruction manual and follow the safety instructions before initial use.



#### **Risk of injury!**

Remove the ignition key before performing any work on the cutting tool or maintenance and cleaning work.



#### **Attention!**

Beware of objects being thrown up - keep a safe distance and keep other people away.



#### **Attention!**

Beware of objects being thrown up when the engine is running – work with the grass catcher box or deflector (special accessory).



#### **Risk of injury!**

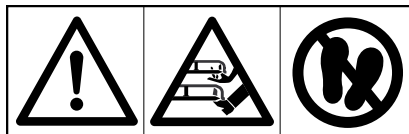
Do not drive or mow on slopes with an incline greater than 10° (17%).

#### **Danger of tipping over!**



#### **Risk of injury!**

Keep other people out of the danger area.



#### **Attention!**

Never reach into the working area of the mowing blades when the engine is running.

#### **Risk of injury!**

Do not stand on the mowing deck.



#### **Danger of burns!**

Do not touch hot surfaces and keep a safe distance. Engine components, especially mufflers, can become extremely hot.



#### **Danger to life through poisoning!**

Stop working immediately in case of nausea, headaches, impaired vision (e.g. decreasing field of view), hearing problems, dizziness or decreasing power of concentration. These symptoms may be caused by excessively high exhaust gas concentrations.



#### **Danger to life!**

Petrol is poisonous and extremely inflammable. Keep petrol away from sparks, naked flames, pilot lights, heat sources and other ignition sources. Do not smoke!

Before refilling the tank, stop the engine and allow it to cool.



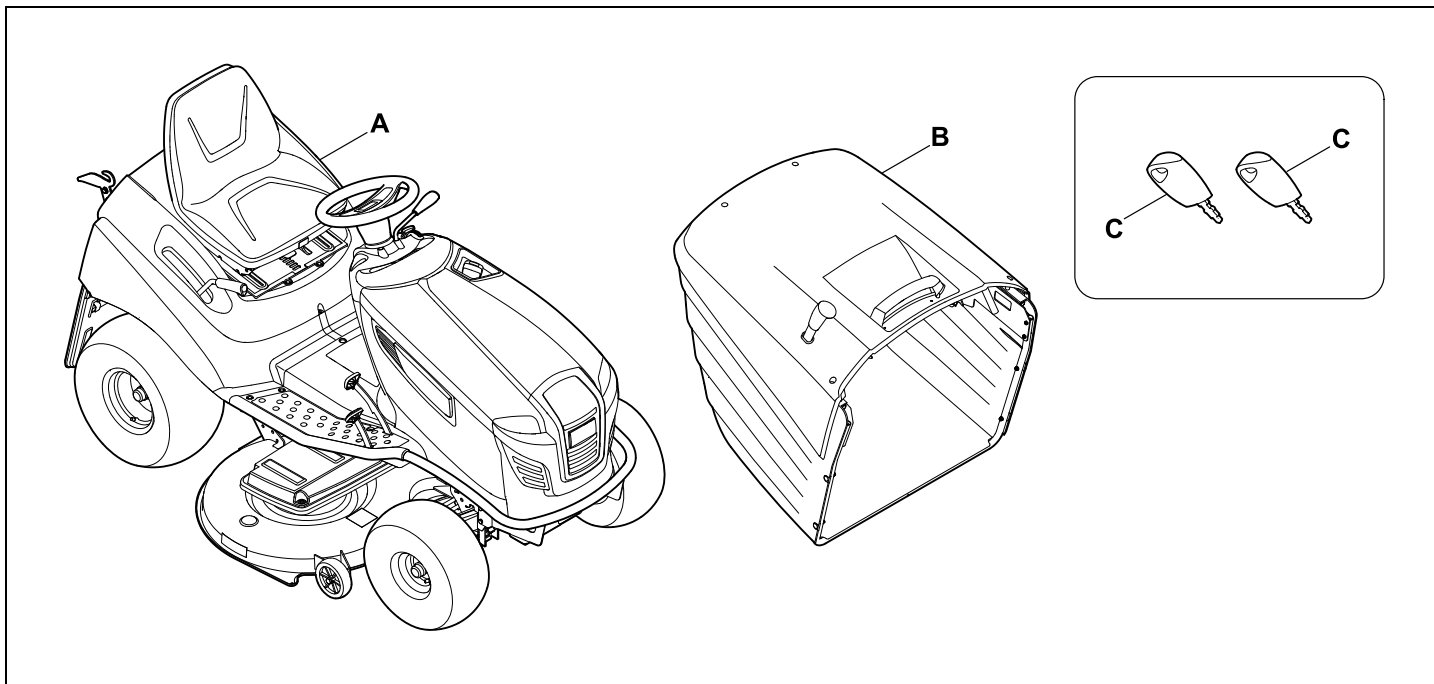
#### **Risk of injury!**

Noise is produced when working. Noise may damage the hearing.

Wear hearing protection.



## 6. Standard equipment



Item	Designation	Qty.
A	Basic unit	1
B	Grass catcher box	1
C	Ignition key	2
-	Instruction manual	1
-	Engine instruction manual	1

## 7. Operations prior to initial use

**Warning!**  
Prior to all operations on the ride-on mower, carefully read and observe the section "For your safety". (⇒ 4.)

- Check engine oil filling level. (⇒ 15.8)
- Fill fuel tank. (⇒ 13.1)
- Open fuel cock. (⇒ 15.7)
- Optimise tyre pressure. (⇒ 15.16)

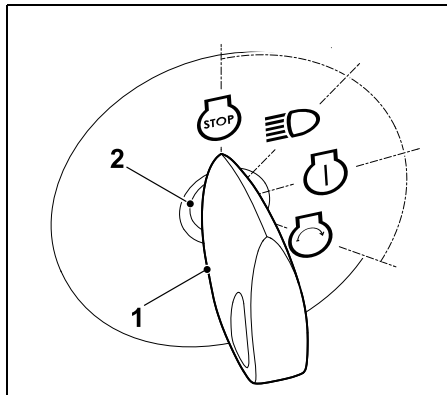
## 8. Controls

### 8.1 Ignition lock with light switch

The ignition lock serves to start and stop the engine and to switch the headlamps on and off.



**! Avoid damage to the machine.**  
The ignition key can only be inserted and removed in the "engine off" position.  
The ignition lock can only be operated with the appropriate ignition key – never use a screwdriver or other such object.



Insert ignition key (1) in ignition lock (2).

The following **four** positions can be selected by turning the ignition key:

#### Engine off:

The engine is switched off or will be stopped. The lights are switched off and the ignition key can be removed.



#### Lights on (operation with lights):

Running engine:  
The lights are switched on and the engine continues to run.



Engine off:  
The lights are switched on.

#### Ignition on/engine running:

The ignition is switched on and the lights are switched off.  
Following starting, the ignition key returns automatically to this position and the engine continues to run.



#### Start engine:

When all safety-relevant points for starting are fulfilled and the ignition key is turned to this



position, the engine starts.  
On releasing the ignition key, it returns automatically to the "engine running" position.



#### Note

When the engine is stopped, a signal tone is activated after 20 seconds in the "lights on" and "ignition on" positions. The acoustic signal indicates that the battery is being discharged. To deactivate the signal tone, turn the ignition key to the "engine off" position or start the engine.

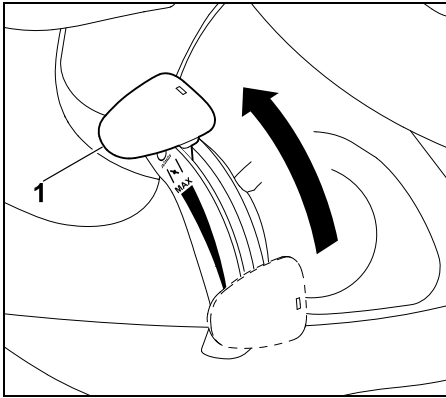
### 8.2 Throttle lever with choke function (RT 5097)

To start a cold engine, move the throttle lever on the RT 5097 model to the choke position.



Do not use the choke when starting a warm engine (throttle lever in MAX position).  
Deactivate the choke as soon as the engine is running.  
Never move the throttle lever to the choke position when the engine is running.

## Choke position:

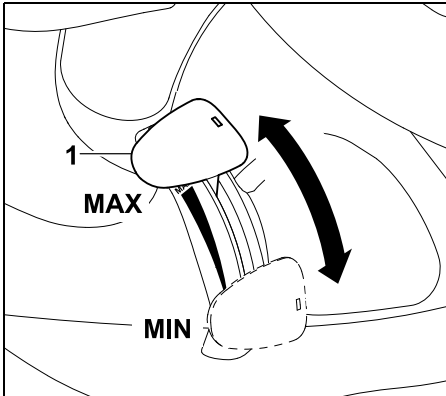


Push throttle lever (1) fully forwards into the choke position (note detent).

## Setting the engine speed:



**i** Move the throttle lever to the MAX position during mowing and to start the engine.



If the throttle lever (1) is pushed downwards or upwards, the engine speed changes and, if the mowing deck is engaged, the speed of the mowing blades is changed.

## MAX position:

If the throttle lever (1) is moved forwards towards the MAX marking, the engine speed is increased.

## MIN position:

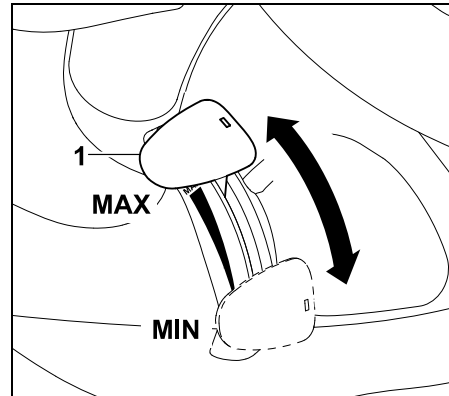
If the throttle lever (1) is pushed back towards the MIN marking, the engine speed is reduced.

### 8.3 Throttle lever (RT 5097 Z, RT 5112 Z, RT 6112 ZL, RT 6127 ZL)

#### Setting the engine speed:



**i** Move the throttle lever to the MAX position during mowing and to start the engine. To start a cold engine, also actuate the choke knob.



If the throttle lever (1) is pushed downwards or upwards, the engine speed changes and, if the mowing deck is engaged, the speed of the mowing blades is changed.

## MAX position:

If the throttle lever (1) is moved forwards towards the MAX marking, the engine speed is increased.

## MIN position:

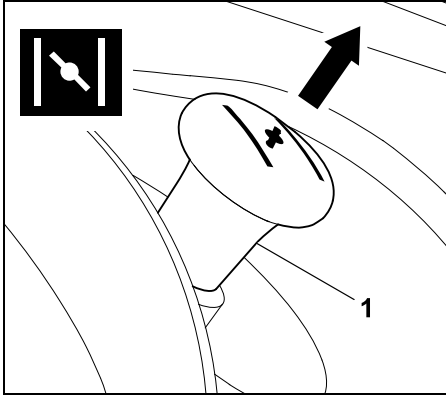
If the throttle lever (1) is pushed back towards the MIN marking, the engine speed is reduced.

### 8.4 Choke knob (RT 5097 Z, RT 5112 Z, RT 6112 ZL, RT 6127 ZL)

The models RT 5097 Z, RT 5112 Z, RT 6112 ZL, RT 6127 ZL are equipped with a choke knob for starting a cold engine.

**i** Do not use the choke when starting a warm engine. As soon as the engine is running, push the choke knob back to its initial position. Never activate the choke when the engine is running.

## Activating the choke:



Before starting, pull out the choke knob (1) to the stop.

## Deactivating the choke:

- Press in the choke knob to the stop.

## 8.5 Mowing deck switch (RT 5097, RT 5097 Z, RT 5112 Z)

The mowing deck switch can be used to engage the mowing deck when the engine is running and with due regard to all safety devices (⇒ 12.).

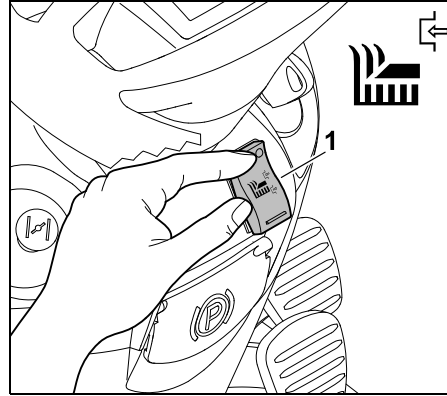


### **Avoid damage to the machine!**

Do not engage the mowing blade in tall grass or when set to the lowest cutting level.

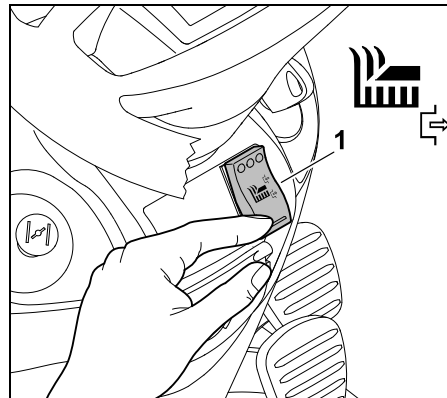
Only activate the mowing deck at maximum speed (throttle lever in MAX position).

## Engaging the mowing deck:



Press the top of the mowing deck switch (1) to the stop.

## Disengaging the mowing deck:



Press the bottom of the mowing deck switch (1) to the stop.



If necessary, the electronics can be programmed so that the mowing deck is automatically disengaged when the grass catcher box is full. (⇒ 13.8)

## 8.6 Mowing deck button (RT 6112 ZL, RT 6127 ZL)

The mowing deck button can be used to engage the mowing deck when the engine is running and with due regard to all safety devices (⇒ 12.).

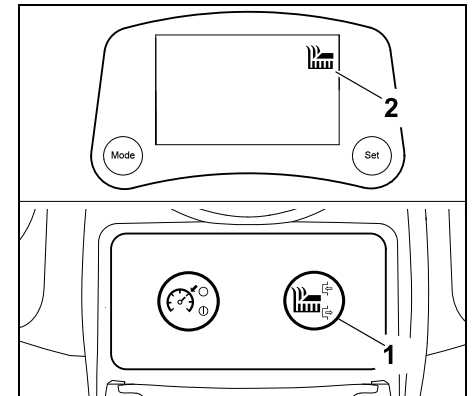


### **Avoid damage to the machine!**

Do not engage the mowing blade in tall grass or when set to the lowest cutting level.

Only activate the mowing deck at maximum speed (throttle lever in MAX position).

## Engaging the mowing deck:



Press the mowing deck button (1) for at least 1 second. The mowing deck is engaged as soon as the "mowing deck active" symbol (2) appears on the display.

## Disengaging the mowing deck:

- Press the mowing deck button. The mowing deck is disengaged as soon as the "mowing deck active" symbol disappears from the display.

- i** If necessary, the electronics can be programmed so that the mowing deck is automatically disengaged when the grass catcher box is full. (⇒ 13.8)

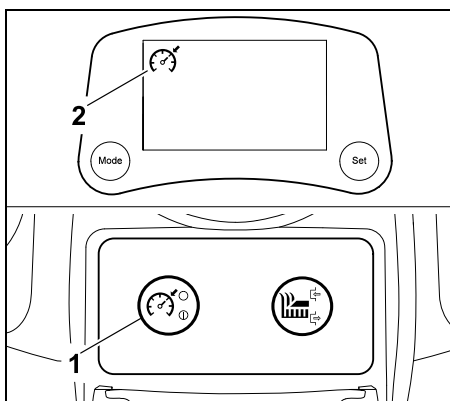
### 8.7 Cruise control button (RT 6112 ZL, RT 6127 ZL)

The cruise control button sets the current driving speed when driving.



- i** Although the "cruise control active" symbol appears on the display when reversing after the cruise control button is pressed, cruise control remains deactivated for safety reasons.

#### Activating cruise control:



Select the required driving speed and press the cruise control button (1) for at least 1 second. Cruise control is activated as soon as the "cruise control active" symbol (2) appears on the display. The drive pedal is locked in place and the current driving speed is maintained. The foot can be removed from the drive pedal.

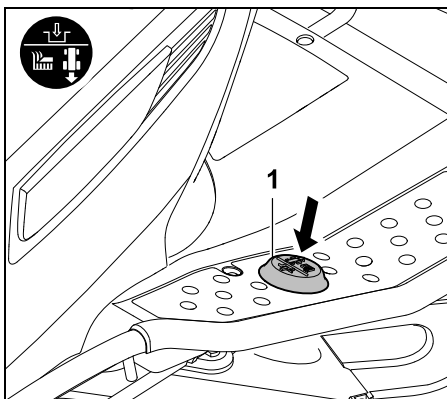
#### Deactivating cruise control:

- !** **Risk of injury!** Place the foot on the drive pedal prior to deactivating cruise control in order to prevent the drive pedal from springing back, thereby preventing abrupt braking of the ride-on mower.

- Press the cruise control button, leave the driver's seat or press the brake pedal. Cruise control is deactivated as soon as the "cruise control active" symbol disappears from the display.

### 8.8 Reverse mowing safety switch

The reverse mowing safety switch enables the mowing deck for mowing in reverse driving direction. The mowing deck is automatically disengaged for safety reasons if reverse mowing is not enabled.



For reverse mowing, briefly press the reverse mowing safety switch (1) once with the left foot within a defined time window.

#### 1 Enable with the mowing deck disengaged:

- Bring the ride-on mower to a standstill and select reverse driving direction. (⇒ 8.9)
- Briefly press the reverse mowing safety switch once with the left foot.
- Engage the mowing deck and start reverse mowing within 5 seconds. (⇒ 8.5), (⇒ 8.6)  
Reverse mowing can also be enabled up to 1 second after starting.

#### 2 Enable with the mowing deck engaged:

- Briefly press the reverse mowing safety switch once with the left foot during mowing operation.
- Switch to reverse driving direction within 5 seconds and continue mowing. (⇒ 8.8)  
Reverse mowing can also be enabled up to 1 second after changing the driving direction.

- i** If the reverse mowing safety switch is continuously pressed, the switch must be released within the time window and pressed again.

On the models RT 6112 ZL and RT 6127 ZL, the "reverse mowing" symbol flashes on the display until reverse mowing is enabled. (⇒ 10.5)

### 8.9 Driving direction selector lever

The driving direction is selected using the driving direction selector lever.

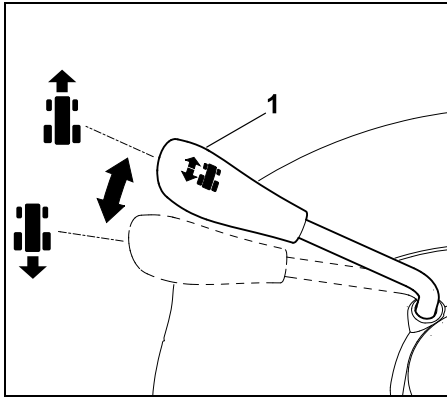


The ride-on mower drives in the selected direction after the drive pedal is

actuated – actuating the driving direction selector lever alone does not set the machine in motion.

**i** For safety reasons, the driving direction selector lever is locked when the drive pedal is pressed. Therefore release the drive pedal before actuating the driving direction selector lever.

### Selecting the driving direction:



#### Forward driving direction:

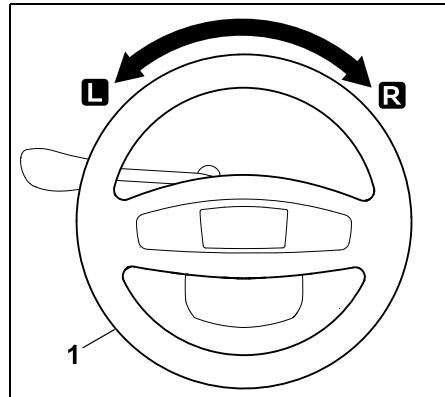
Move the driving direction selector lever (1) to the front position.

#### Reverse driving direction:

Move the driving direction selector lever (1) to the rear position.

### 8.10 Steering wheel

**!** **Warning:** Always hold the steering wheel firmly in both hands when driving.

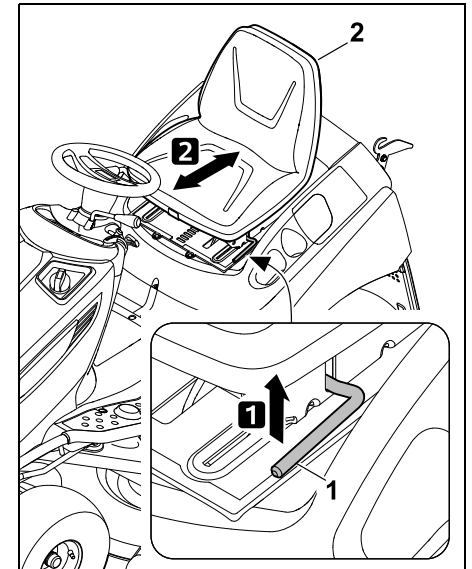


Turning the steering wheel (1) to the left **L** or right **R** changes the driving direction of the machine. The further the steering wheel (1) is turned, the smaller the turning radius.

### 8.11 Driver's seat adjustment

The driver's seat can be adjusted to seven notched positions.

- Stop the engine. (⇒ 13.3)
- Sit on the driver's seat and put your right hand on the steering wheel.



**1** With your left hand, lift and hold the driver's seat adjustment lever (1).

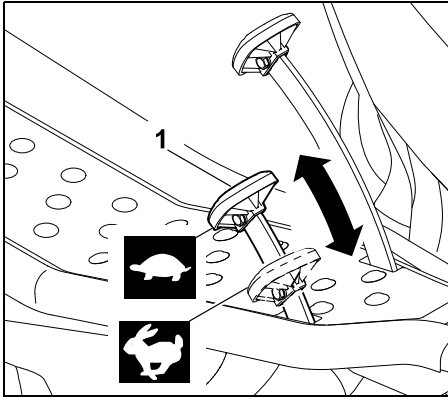
**2** Move the driver's seat (2) to the required position. Then release the driver's seat adjustment lever again and allow it to engage.

### 8.12 Drive pedal

**i** **Note** Before actuating the drive pedal, ensure that the correct driving direction is selected at the driving direction selector lever. If the parking brake is engaged or the brake pedal is pressed, the drive pedal cannot be actuated.

The driving speed can be continuously regulated via the drive pedal.





#### Stopping:

Take foot off the drive pedal (self-propulsion) (1).

#### Reducing the driving speed:

Reduce pressure on the drive pedal (1).



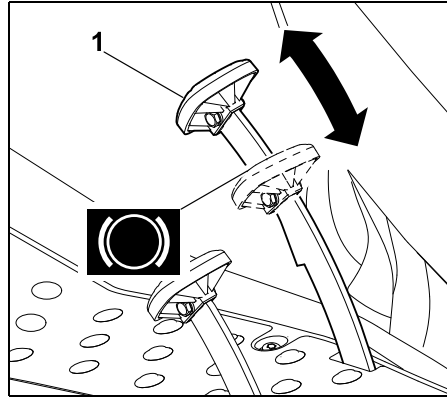
#### Increasing driving speed:

Press down drive pedal (1).



### 8.13 Brake pedal

The machine can be braked when driving and can be blocked at a standstill via the brake pedal.



Press the brake pedal (1).

The more firmly the brake pedal (1) is pressed, the more the rear wheels are braked.



#### Warning!

Never operate the machine with a defective brake. Always have a defective brake repaired or adjusted by a specialist dealer. STIHL recommends STIHL specialist dealers. Never try to service the brakes yourself.

### 8.14 Parking brake

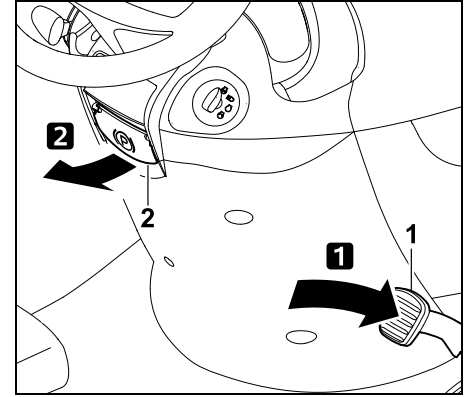
The rear wheels of the machine are blocked by the engaged parking brake. This prevents the ride-on mower from being set in motion inadvertently (e.g. on slopes, etc.).



#### Note

Always check the function of the brakes before engaging the parking brake.

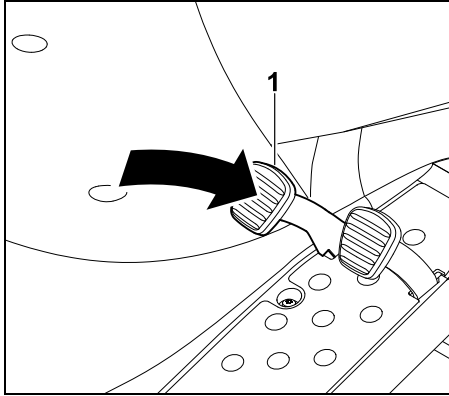
### Engaging the parking brake:



Press the brake pedal (1) down to the stop with the foot and hold. Pull the parking brake lever (2) upwards.

- Release the brake pedal again. The parking brake is activated if the brake pedal remains in the pressed position. The "parking brake engaged" symbol appears on the display of the models RT 6112 ZL and RT 6127 ZL. (⇒ 10.5)
- Release the parking brake lever. This swings downwards. The rear wheels are blocked.

## Releasing the parking brake:



Briefly press on brake pedal (1) with the foot.

- The brake pedal returns to the initial (unactuated) position. The parking brake is deactivated and the rear wheels are no longer blocked.

## 8.15 Cutting height adjustment lever

Eight cutting levels can be set using the cutting height adjustment lever.



### Raising and lowering the mowing deck:

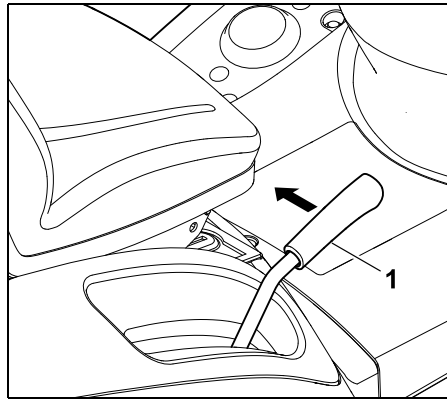


#### Risk of injury!

Always hold the cutting height adjustment lever when adjusting the cutting height. Adjust the cutting height only when the ride-on mower is at a standstill.



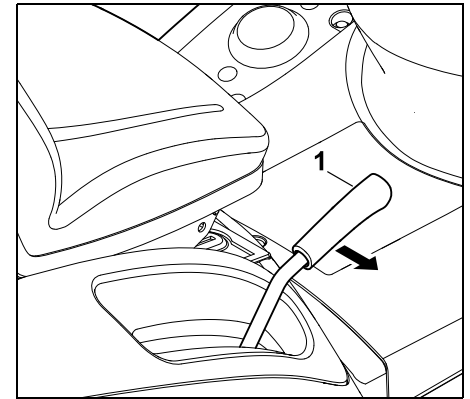
The procedure for releasing the cutting height adjustment lever depends on whether the mowing deck is installed or removed.



Releasing the cutting height adjustment lever:

**With the mowing deck installed** Pull the cutting height adjustment lever (1) inwards (towards the driver's seat) and hold.

**With the mowing deck removed** Push the cutting height adjustment lever (1) slightly downwards and then inwards (towards the driver's seat) and hold.



Locking the cutting height adjustment lever:

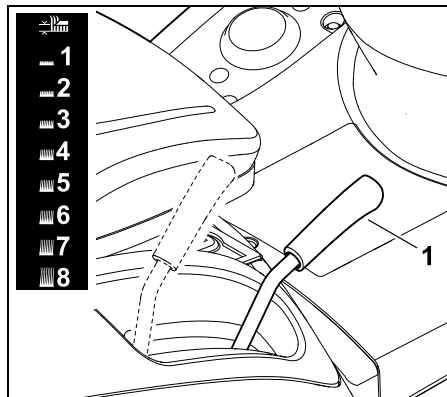
Guide the cutting height adjustment lever (1) outwards until it engages in the chosen notched position.

## 8.16 Grass catcher box emptying lever

The grass catcher box can be emptied using the grass catcher box emptying lever, without the user having to leave the driver's seat.

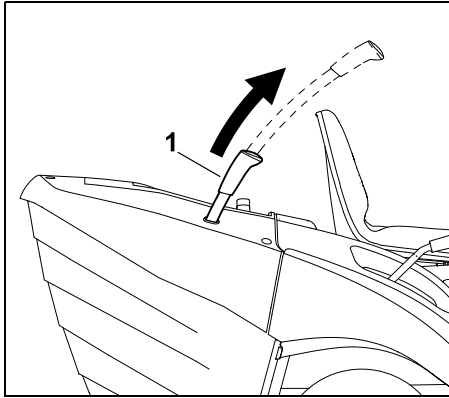


- Disengage the mowing deck. (⇒ 8.5), (⇒ 8.6)
- Brake the machine to a complete standstill.
- Keep the brake pedal pressed or engage the parking brake.

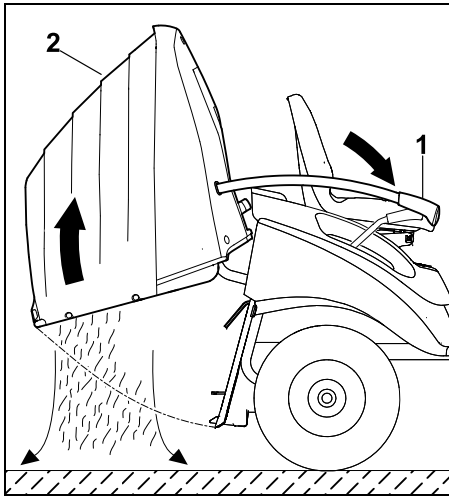


Guide the released cutting height adjustment lever (1) upwards/downwards and set the required cutting height.





Pull the grass catcher box emptying lever (1) upwards.



Push the grass catcher box emptying lever (1) forwards. The grass catcher box (2) swings upwards and the clippings fall out.

The "grass catcher box open or missing" symbol appears on the display of the models RT 6112 ZL and RT 6127 ZL when the grass catcher box is raised. (⇒ 10.5)

- Slowly move the grass catcher box emptying lever towards the rear and allow the grass catcher box to re-engage with the rear panel.
- Press the grass catcher box emptying lever downwards and move to the initial position.

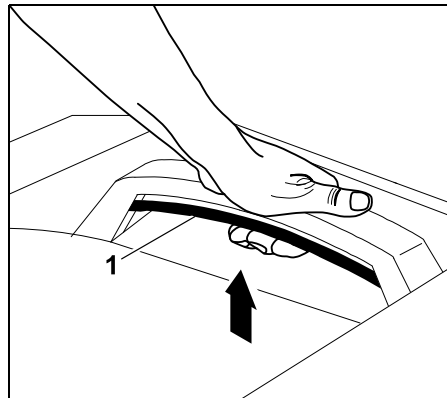
### 8.17 Grass catcher box release lever

**Warning!** Ensure that you do not pinch your fingers when actuating the grass catcher box release lever.

The grass catcher box release lever is located underneath the grass catcher box handle.

The grass catcher box release lever must be pulled upwards and held before attaching or detaching the grass catcher box.

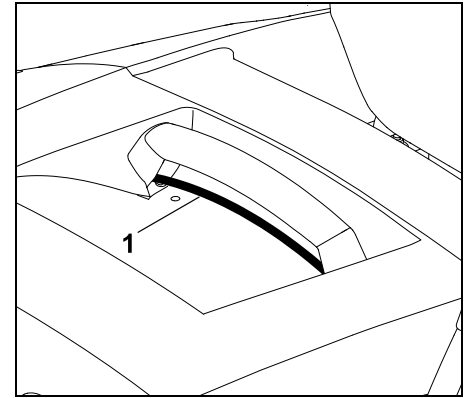
### Releasing the grass catcher box:



Pull grass catcher box release lever (1) fully upwards and hold.

- The grass catcher box is released and can be removed.

### Locking the grass catcher box:



After attaching the grass catcher box, release the pulled-out grass catcher box release lever (1). Ensure that the lock engages fully.

- Once locked, the grass catcher box is firmly attached to the machine again.

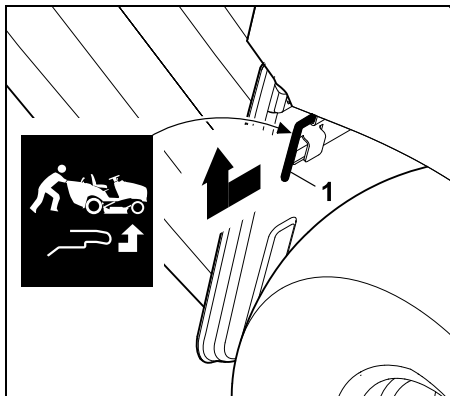
### 8.18 Gearbox freewheel lever

The gearbox can be disengaged (e.g. for pushing the machine) or engaged (for self-propulsion) using the gearbox freewheel lever.



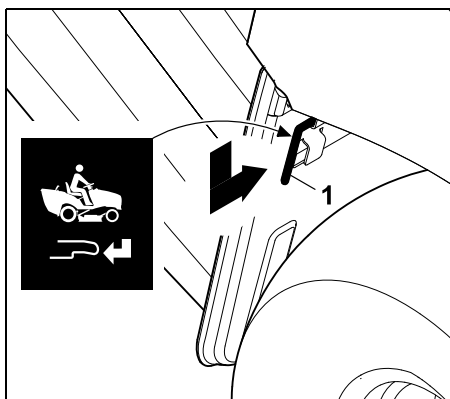
**Warning!**  
**Risk of crush injuries!**  
Only pull out the gearbox freewheel lever on level surfaces, as the machine may be set in motion. If the machine is parked with the gearbox disengaged, the parking brake must be engaged.

## Disengaging the gearbox:



Pull the gearbox freewheel lever (1) outwards to the stop and then raise.

## Engaging the gearbox:



Guide the gearbox freewheel lever (1) downwards and then press inwards to the stop.

## 8.19 Level sensor (grass catcher box)

A continuous tone sounds if the grass catcher box is full. This signals that the grass catcher box needs to be emptied.

**i** Disengaging the mowing deck stops the continuous tone.

The time for the filled grass catcher box signal is adjusted by modifying the length of the (grass catcher box) level sensor.

This allows you to adapt filling of the grass catcher box to the characteristics of the clippings.

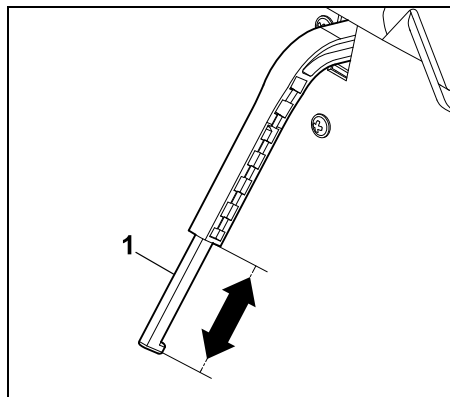
A shorter sensor generally causes later triggering of the signal (the grass catcher box is filled to a greater extent, ideal for very dry clippings).

The level sensor can be adjusted to 6 notched positions.

In delivery condition, the level sensor (grass catcher box) is fully extended.

### Adjusting the level sensor:

- Stop the engine. (⇒ 13.3)
- Engage the parking brake. (⇒ 8.14)
- Remove the grass catcher box. (⇒ 13.10)



Extend or shorten the level sensor by moving the slide (1) of the (grass catcher box) level sensor in the direction of the arrows.

- Attach the grass catcher box. (⇒ 13.10)

## 9. Electronics

In order to ensure safe operation, the ride-on mower is equipped with electronics which check all the safety devices before each starting procedure and when the mower is running.

**i** The electronics in the models RT 6112 ZL and RT 6127 ZL also control the display. The display on these models therefore shows additional information.

### 9.1 Self-diagnosis when starting

Before the engine is started, the electronics perform self-diagnosis. This checks switches, wiring, etc. for correct functioning.

#### Activating self-diagnosis:

- Sit on the driver's seat.
- Release the parking brake. (⇒ 8.14)
- Turn the ignition key to the "ignition on" position (⇒ 8.1) – do not press any buttons and switches or press any pedals.

#### Self-diagnosis without faults:

A short beep sounds – the electronics are activated and the ride-on mower is ready to start.

RT 6112 ZL, RT 6127 ZL:

All symbols are shown on the display for 2 seconds. The operating hours can be read off for 5 seconds.

- Start the engine. (⇒ 13.2)

### Self-diagnosis with faults:

A continuous beep or three successive beeps sound.

A **continuous beep** signals a fault in the electronics or a battery connected with the incorrect polarity.

- Turn the ignition key to the "engine off" position. (⇒ 8.1)
- Check the polarity of the battery connections and connect the wiring correctly if necessary. (⇒ 15.19)
- Repeat self-diagnosis.  
If the continuous beep continues to sound even after the battery is correctly connected, an electronic fault is present. Consult your specialist dealer; STIHL recommends STIHL specialist dealers.

**Three successive beeps** signal a fault in the electrics (short circuit) or in the seat switch. It is not possible to start the engine.

RT 6112 ZL, RT 6127 ZL:

The relevant symbols and the text ERROR flash on the display.

- Turn the ignition key to the "engine off" position. (⇒ 8.1)
- Have a detailed diagnosis carried out by a specialist dealer. STIHL recommends STIHL specialist dealers.

### 9.2 Ride-on mower faults during operation

The electronics monitor the safe condition during operation. Three successive beeps sound if there is a fault in the electrics (short circuit, loose connectors, broken wire).

The engine is stopped – the respective symbol and the text "ERROR" flash on the display on the models RT 6112 ZL and RT 6127 ZL.

#### Procedure:

- Turn the ignition key to the "engine off" position. (⇒ 8.1)
- Activate self-diagnosis. (⇒ 9.1)

**i** If the fault cannot be rectified, detailed diagnosis is necessary. Consult your specialist dealer; STIHL recommends STIHL specialist dealers.

### 9.3 Electronics faults

In rare cases, electronics faults may occur during operation of the mower. A continuous beep sounds and the engine is stopped.

#### Behaviour:

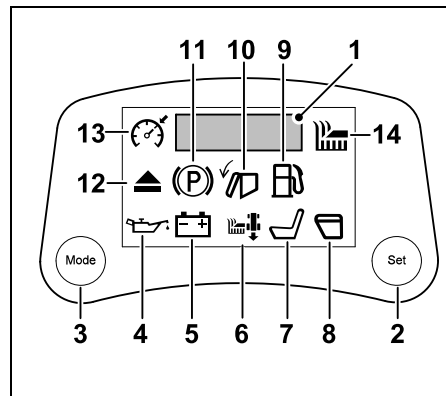
- Turn the ignition key to the "engine off" position. (⇒ 8.1)
- Activate self-diagnosis. (⇒ 9.1)
- Restart the engine. (⇒ 13.2)

**i** If the fault cannot be rectified, detailed diagnosis is necessary. Consult your specialist dealer; STIHL recommends STIHL specialist dealers.

## 10. Display RT 6112 ZL, RT 6127 ZL

Faults, operating information and active functions are shown on the display.

**i** The display is protected against damage (e.g. due to water) on account of its design. It may be affected by fogging due to temperature variations and high air humidity. After the ride-on mower has been started, ingressed moisture dissipates within a few minutes under the influence of heat from the engine.



- 1 5-digit segmental display (⇒ 10.1)
- 2 Set button (⇒ 10.2)
- 3 Mode button (⇒ 10.3)

#### Faults (⇒ 10.4)

- 4 Engine oil pressure too low (RT 6127 ZL)
- 5 Battery fault

#### Operating information (⇒ 10.5)

- 6 Reverse mowing
- 7 Driver's seat unoccupied
- 8 Grass catcher box open or missing
- 9 Fuel reserve
- 10 Grass catcher box full
- 11 Parking brake engaged

## Operating information (⇒ 10.5)

12 Discharge chute removed

## Active functions (⇒ 10.6)

13 Cruise control active

14 Mowing deck active

---

### 10.1 5-digit segmental display

The 5-digit segmental display provides information about operating hours and battery voltage. It also indicates faults by displaying the text ERROR.

The operating hours and battery voltage can be called up during operation by pressing the Mode button. (⇒ 10.3)

#### Operating hours:

Display of the engine operating hours in full hours (e.g. 281 h).

The hour meter cannot be reset.

The correct times for maintenance or service operations are determined based on the meter. These are indicated in the maintenance schedule. (⇒ 15.1)

#### Battery voltage:

Display of the current battery voltage in volts (e.g. 12.0 V).

---

### 10.2 Set button

Pressing the Set button during display of the operating hours or battery voltage switches to continuous display.



Turning the ignition key to the "engine off" position resets the display to the default setting (display of operating hours or battery voltage for 5 seconds).

---

### 10.3 Mode button

Pressing the Mode button switches between the individual displays:



1 Operating hours [h]

2 Battery voltage [V]

3 No display

The operating hours and battery voltage are both displayed for 5 seconds. Press the Set button for a continuous display. (⇒ 10.2)

---

### 10.4 Display of faults

**Engine oil pressure too low** symbol:



The oil pressure required for correct operation of the engine is too low. The engine will be stopped within 3 seconds.



#### Avoid damage to the machine.

The oil pressure warning is not an oil level indicator. Therefore check the oil level at regular intervals.

- Do not attempt to restart the engine.
- Visually check for oil leaking from the engine.
- Check the oil level and top up the engine oil if necessary.

**Battery fault** symbol:



The battery voltage is too low. The battery is faulty or is not recharging. The current voltage is additionally shown in volts on the display (e.g. 10.5 V).

The engine is stopped or cannot be started.

- Do not attempt to restart the engine.
- Check the battery voltage on the display.
- Check the fuses and replace if necessary. (⇒ 15.20)
- Visually check for leaking battery fluid.
- Check battery terminals for corrosion and correct seating.
- Charge the battery. (⇒ 15.21)
- Replace the faulty battery. (⇒ 15.19)

---

### 10.5 Display of operating information



If symbols do not display as expected or do not disappear as described, the probable cause is a fault in the respective switch, in the plug connections or in the wiring. Consult your specialist dealer. STIHL recommends STIHL specialist dealers.

**Reverse mowing** symbol:



The symbol is continuously displayed when reverse mowing is enabled.

The symbol flashes when the reverse mowing safety switch is pressed or if an enable is required for reverse mowing. (⇒ 8.8)

**The symbol disappears from the display:**

- When reverse mowing is completed.

**Switches from flashing to continuous display:**

- When reverse mowing is enabled.
- When the mowing deck is manually disengaged within the time window.

- When the mowing deck is automatically disengaged if reverse mowing is not enabled.

### Driver's seat unoccupied

symbol:



The driver's seat is unoccupied. The seat switch is one of the ride-on mower's safety devices (⇒ 12.). If the "driver's seat unoccupied" symbol appears on the display, the engine cannot be started without the parking brake engaged and the mowing deck cannot be engaged.

### The symbol disappears from the display:

- When the user sits on the driver's seat.

### Grass catcher box open or missing symbol:



The grass catcher box is open or the grass catcher box or deflector (accessory) are not installed or not correctly engaged. The symbol is also displayed when emptying the grass catcher box. (⇒ 13.9) If the grass catcher box is raised (e.g. for emptying) while the mowing deck is engaged, the engine is stopped for safety reasons.

### The symbol disappears from the display:

- When the grass catcher box is closed. (⇒ 13.9)
- When the grass catcher box or deflector (accessory) are correctly installed. (⇒ 13.10)

Fuel reserve symbol:



The fuel is down to the reserve level, there is still approx. 2 litres of fuel in the tank. (⇒ 13.1)

### The symbol disappears from the display:

- When the fuel is topped up.

### Grass catcher box full symbol:



The grass catcher box is full, a continuous tone sounds. (⇒ 8.19) The continuous tone stops after the mowing deck is disengaged. (⇒ 13.8)

### The symbol disappears from the display:

- When the grass catcher box is emptied.

### Parking brake engaged symbol:



The parking brake is engaged. (⇒ 8.14)

### The symbol disappears from the display:

- When the parking brake is released.

### Discharge chute removed symbol:



The discharge chute has been removed. (⇒ 15.5) The engine cannot be started for safety reasons.

### The symbol disappears from the display:

- When the discharge chute is correctly installed. (⇒ 15.6)

## 10.6 Display of active functions



If symbols do not display as expected or do not disappear as described, the probable cause is a fault in the respective switch, in the plug connections or in the wiring. Consult your specialist dealer. STIHL recommends STIHL specialist dealers.

### Cruise control active symbol:



Cruise control has been activated. (⇒ 8.7)

The display disappears when cruise control is switched off.

### Mowing deck active symbol:



The mowing deck is engaged. (⇒ 8.6)

The display disappears when the mowing deck is disengaged.

## 11. Notes on working with the machine



### Warning: Risk of injury.

Before each use, observe all information regarding safe operation of the machine. Working on slopes requires special concentration and care.



### Note

Check the mowing deck for correct installation position before starting work.

Select a flat, even area for initial use of your machine and mow in straight and slightly overlapping strips for practising purposes. Grass should always be mowed when dry.

### A perfect, thick lawn is achieved by

- Mowing at high speed (throttle lever in MAX position) and a slow driving speed.
- Regular mowing and keeping the grass short.
- Not cutting the lawn too short in hot, dry conditions as it will be burnt by the sun and become unsightly.
- Using sharp mowing blades. Mowing blades should therefore be regularly sharpened or replaced.
- Changing the cutting direction.

### Mowing tall grass

If the grass is very high, it is better to mow it in two stages:

- use the highest cutting height, maximum engine speed and slow driving speed for the first mowing operation;
- for the second mowing operation, select the desired cutting height and set the maximum engine speed. Adjust the driving speed to the condition of the lawn.



### Warning – fire hazard!

Avoid overloading the mowing deck drive. Overloading may lead to constant slipping of the V-belt and consequently to a fire hazard due to overheating.

Unusual running noise, e.g. a "squealing" (slipping noise) of the V-belt, indicates overloading. For this reason, never mow in high grass when the discharge chute is blocked or the grass catcher box is full; use a mulching kit (special accessory) if necessary.

The mowing deck, particularly the V-belt area, must always be kept free of combustible material (grass, leaves, etc.). It should also be cleaned regularly to prevent a fire hazard.

### Preventing blockage of the discharge chute

If the discharge chute becomes blocked with grass, reduce the driving speed. This may be too high in relation to the lawn conditions. Pull out the slide of the level sensor fully. (⇒ 8.19)

If the problem persists, the probable cause is damaged or worn wings on the mowing blades. Replace the mowing blades. (⇒ 15.13)

Clean the mowing deck, discharge chute and mowing blades after each use to prevent the accumulation of grass deposits. (⇒ 15.2)

### Fertilisation

Mowing the grass deprives the ground of permanent nutrients, which can be returned by using a high-grade, long-term lawn fertiliser. Usually, fertilising three times per mowing season is necessary.

For this purpose, the lawn should be dry, so that the fertiliser does not stick to the grass blades and burns them. It is then better to water the lawn, which results in the fertiliser being flushed off the grass blades. (Observe manufacturer's instructions for use.)

Natural fertilising is possible using lawn clippings. This is made possible by the use of the mulching kit. The mulching kit is available as a special accessory and is not included in the standard equipment. (Further information is available from your STIHL specialist dealer.)

### Ground-conserving working

The most important factors for ground-conserving working are operating technique and ground moisture.

In order to achieve clean mowing results, the driving speed must be adapted to the condition of the grass to be mowed (height and density) and to the moisture of the lawn.

Executing curves that are too tight increases the loading on the turf and leads to poor mowing results, particularly on wet grass, as the wheels sink into the soft grass.

## 12. Safety devices

The machine is equipped with several safety devices for safe operation and for the prevention of improper use.



### Risk of injury!

If a safety device is found to be defective, the machine must not be operated. Consult a specialist dealer; STIHL recommends STIHL specialist dealers.

### To start the engine, the following conditions must always be fulfilled:

- The discharge chute must be correctly installed.
- The brake pedal must be pressed or the parking brake engaged.

### The engine is switched off if the user:

- Leaves the driver's seat with the mowing deck engaged.
- Lifts the grass catcher box or removes the deflector (special accessory) with the mowing deck engaged.
- Removes the discharge chute with the mowing deck disengaged.
- Leaves the driver's seat without engaging the parking brake.


### Integrated blade run-down brake:

RT 5097, RT 5097 Z, RT 5112 Z,  
RT 6112 ZL:

Following disengagement, the mowing blades come to a standstill after **5 seconds** at the latest.

RT 6127 ZL:

Following disengagement, the mowing blades come to a standstill after **7 seconds** at the latest.

 Following engagement of the mowing deck, the mowing blades turn and a wind noise is audible. The run-on time corresponds to the duration of the wind noise following disengagement. This can be measured using a stopwatch.

To check the integrated blade run-down brake, measure the duration of the wind noise following disengagement using a stopwatch.

RT 5097, RT 5097 Z, RT 5112 Z,  
RT 6112 ZL:

If this duration exceeds 5 seconds: consult a STIHL specialist dealer.

RT 6127 ZL:

If this duration exceeds 7 seconds: consult a STIHL specialist dealer.

## 13. Operating the machine



### Risk of injury!

Carefully read and observe the entire section "For your safety" before operating the machine. (⇒ 4.)

For safety reasons, the machine must not be used on slopes with an inclination of more than 10° (17.6%).

A slope inclination of 17.6% corresponds to a vertical height increase of 17.6 cm for a 100 cm horizontal distance.

- Familiarise yourself with the controls on the machine before using it. (⇒ 8.)
- Before operating the machine, inspect the maintenance schedule and carry out all relevant maintenance operations. (⇒ 15.1)
- Check the safety devices before each use. (⇒ 12.)  
The ride-on mower must not be operated if safety devices are missing or damaged or have been bypassed or modified.

### 13.1 Filling the fuel tank

**Maximum tank capacity:**  
9 litres



### Recommendation:

Fresh good quality fuel, please refer to the engine instruction manual for information on fuel grade (octane rating).

- Unleaded petrol.

### Filling procedure:

- Stop the engine and allow it to cool down (warm to the touch). (⇒ 13.3)
- Engage the parking brake. (⇒ 8.14)



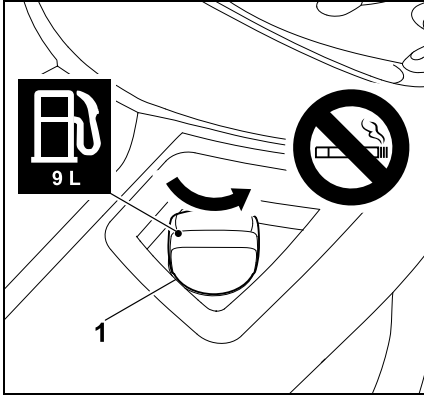
To prevent fuel spillage, use a suitable funnel (not included in standard equipment) when filling up.

Pour in the fuel slowly and carefully. In order to prevent the fuel from overflowing, filling should be performed in several stages.

Remove the funnel between the individual filling operations in order to visually check the filling level in the tank.

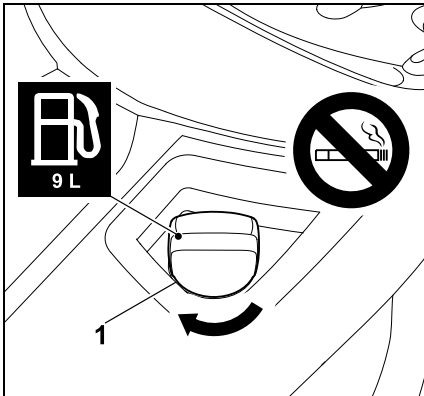
The more fuel has already been filled into the tank, the smaller the filling quantities should be for each filling operation. To give the fuel room to expand, never fill the fuel tank past the lower edge of the filler neck.

## Tank cap:



Unscrew the tank cap (1) (note direction of arrow) and remove.

- Fill the fuel into the tank using a suitable funnel (not included in standard equipment) (see Filling procedure).



Fit and screw on the tank cap (1) (note direction of arrow). Then tighten the tank cap (1) hand-tight.

- Wipe away any spilled fuel and allow it to evaporate before starting the engine.

## 13.2 Starting the engine



### Avoid damage to the machine.

If the engine does not start immediately, leave breaks between the starting attempts. Never leave the ignition key in the "start engine" position for more than 10 seconds.



The discharge chute must be correctly installed to start the engine. (⇒ 15.6)

### Before starting:

- Check the engine oil level. (⇒ 15.8)
- Remove grass residues from the mowing deck and engine compartment.
- Check the fuel and top up if necessary. (⇒ 13.1)
- Before each use, check the braking function. (⇒ 13.5)
- Perform all personal settings (driver's seat adjustment) on the machine – not when the engine is running!
- Never start the machine in the vicinity of other persons, particularly children, or animals.

### Starting sequence:

- Open the fuel cock. (⇒ 15.7)
- Sit on the driver's seat.
- Before starting, press the brake pedal to the stop and hold or engage the parking brake. (⇒ 8.13), (⇒ 8.14)
- Insert the ignition key in the ignition lock and turn to the "ignition on" position. (⇒ 8.1)

### • Cold engine:

RT 5097:

Set the throttle lever to the choke position. (⇒ 8.2)  
RT 5097 Z, RT 5112 Z, RT 6112 ZL, RT 6127 ZL:

Set the throttle lever to the MAX position and pull the choke knob. (⇒ 8.3), (⇒ 8.4)

### Warm engine:

Set the throttle lever to the MAX position. (⇒ 8.2), (⇒ 8.3)

- Turn the ignition key to the "start engine" position. The engine starts. As soon as the engine is running, release the ignition key. This returns automatically to the "engine running" position.
- RT 5097: Return the throttle lever to the MAX position when the engine is running. Note detent! (⇒ 8.2)  
RT 5097 Z, RT 5112 Z, RT 6112 ZL, RT 6127 ZL: Press in the choke knob. (⇒ 8.4)
- When the engine is running, the foot can be removed from the brake pedal or the parking brake released.

## 13.3 Stopping the engine

- Brake the machine to a complete standstill.
- Disengage the mowing deck. (⇒ 8.5), (⇒ 8.6)
- Set the throttle lever to the MIN position. (⇒ 8.2), (⇒ 8.3)
- Turn the ignition key to the "engine off" position. The engine is stopped.
- Engage the parking brake. (⇒ 8.14)



- Close the fuel cock if necessary. (⇒ 15.7)
- Remove the ignition key and store safely.

### 13.4 Driving



#### Warning!

A low driving speed must always be selected on rough terrain. Before each change of direction, especially on slopes, reduce the driving speed appropriately.



#### Avoid damage to the machine!

In order to ensure optimum cooling of the gearbox, always drive at the maximum engine speed. Therefore only regulate the driving speed using the drive pedal and not the throttle lever.

#### Before driving:

- Engage the gearbox freewheel lever. (⇒ 8.18)
- RT 5112 Z, RT 6112 ZL, RT 6127 ZL: With the mowing deck removed, press the V-belt tensioner lever forwards and lock in place. (⇒ 14.1)
- Start the engine. (⇒ 13.2)

#### Forward driving:

- Select the forward driving direction. (⇒ 8.9)
- Disengage the parking brake, if engaged. (⇒ 8.14)
- Press the drive pedal – the machine moves forwards. (⇒ 8.12)

#### Reversing:

- Select the reverse driving direction. (⇒ 8.9)

- Disengage the parking brake, if engaged. (⇒ 8.14)
- Press the drive pedal – the machine moves backwards. (⇒ 8.12)

#### Forward driving with cruise control (RT 6112 ZL, RT 6127 ZL):

- With the mowing deck removed, press the V-belt tensioner lever forwards and lock in place. (⇒ 14.1)
- Start the engine. (⇒ 13.2)
- Set the throttle lever to the MAX position. (⇒ 8.3)
- Set driving direction selector lever to front position (forward driving direction). (⇒ 8.9)
- Disengage the parking brake, if engaged. (⇒ 8.14)
- By pressing the drive pedal, the driving speed is regulated and the machine moves forwards.
- **Activating cruise control:** Maintain the required driving speed and press the cruise control button for 1 second. (⇒ 8.7) Cruise control is activated when the "cruise control active" symbol appears on the display and the drive pedal is locked in place. When cruise control is activated, it is possible to increase the set driving speed by pressing on the drive pedal.
- The foot can be removed from the drive pedal.
- **Deactivating cruise control:** Press the brake pedal or cruise control button. (⇒ 8.7) Cruise control is deactivated when the "cruise control active" symbol disappears from the display.

### 13.5 Braking

- Reduce the driving speed by easing the pressure on the drive pedal – avoid braking abruptly at the maximum driving speed. (⇒ 8.12)
- Press the brake pedal down evenly until the machine comes to a standstill. (⇒ 8.13)

### 13.6 Adjusting the cutting height



#### Risk of injury!

Adjust the cutting height only when the ride-on mower is at a standstill.

- Brake the machine to a complete standstill.
- Release the cutting height adjustment lever and set the required cutting height. (⇒ 8.15)

- |                |                        |
|----------------|------------------------|
| <b>Level 1</b> | Lowest cutting height  |
| <b>Level 8</b> | Highest cutting height |



#### RT 5112 Z, RT 6112 ZL, RT 6127 ZL:

STIHL recommends mounting the two gauge wheels in a lower bore. In the lowest position, the gauge wheels increase the distance between the mowing deck and the ground, ensuring an optimum supply of air. The result is a more attractive cutting pattern and better collecting performance.

---

## 13.7 Mowing



If the mowing deck is engaged when driving, the engine speed is briefly reduced due to the additional load (mowing blades starting to rotate).

### Before mowing:

- Read and observe the section "Notes on working with the machine". (⇒ 11.)
- Always set the maximum engine speed during mowing. The mowing blade is optimised for this speed – it produces the best cutting pattern as well as the most powerful suction effect for collection of the clippings.

### Engage the mowing deck in the following sequence:

- Start the engine. (⇒ 13.2)
- Set the throttle lever to the MAX position. (⇒ 8.2), (⇒ 8.3)
- Drive the ride-on mower onto the lawn. Do not engage the mowing deck in tall grass or when set to the lowest cutting level. Only engage the mowing deck when the machine is already on the area to be worked.
- **Forwards mowing:**  
Select the forward driving direction (⇒ 8.9), then engage the mowing deck by pressing the mowing deck switch or mowing deck button. (⇒ 8.5), (⇒ 8.6)
- **Reverse mowing:**  
Select the reverse driving direction (⇒ 8.9) and briefly press the reverse mowing safety switch (⇒ 8.8) once, then engage the mowing deck by pressing the mowing deck switch or mowing deck button within 6 seconds. (⇒ 8.5), (⇒ 8.6)

### During mowing:

- Set the throttle lever to the MAX position. (⇒ 8.2), (⇒ 8.3)
- Always adapt the driving speed to the grass height/cutting level.  
A low driving speed should be selected when mowing tall grass/at a low cutting level.



A permanent continuous tone signals that the grass catcher box is full. (⇒ 13.9)

### Changing the driving direction with the mowing deck engaged:

- For **reverse mowing**, briefly press the reverse mowing safety switch once within the designated time window (5 seconds/1 second after switching). (⇒ 8.8)
- Bring the machine to a standstill on the lawn and set the required driving direction using the driving direction selector lever. (⇒ 8.9)
- Continue mowing.

### Disengage the mowing deck in the following sequence:

- Drive onto an area of grass which has already been mown or select the highest cutting level. (⇒ 8.15)
- Disengage the mowing deck by pressing the mowing deck switch or mowing deck button. (⇒ 8.5), (⇒ 8.6)



### Risk of injury!

After disengaging the mowing deck, beware of the mowing blade running on for up to 7 seconds before coming to a standstill. (⇒ 12.)

---

## 13.8 Programming automatic disengagement of the mowing deck

The electromagnetic blade clutch can be programmed so that the mowing deck is automatically disengaged when the grass catcher box is full. This enhances operating convenience as blockage of the discharge chute is prevented.



- Stop the engine. (⇒ 13.3)
- Turn the ignition key to the "ignition on" position. (⇒ 8.1)
- Wait for the electronics self-diagnosis – do not press any buttons.

### Activating automatic disengagement:

- Press the reverse mowing safety switch and press the drive pedal at the same time for 5 seconds.  
A short beep signals that automatic operation is switched on.
- The current setting is permanently saved.

### Deactivating automatic disengagement:

- Set the driving direction selector lever to forwards.
- Press the reverse mowing safety switch and press the drive pedal at the same time for 5 seconds.  
Three beeps in quick succession signal that automatic operation is switched off.
- The current setting is permanently saved.

### Programming automatic disengagement using the Mode button (only with RT 6112 ZL, RT 6127 ZL):

- Set the driving direction selector lever to forwards.

- Keep the mowing deck button pressed and press the Mode button at the same time – automatic disengagement is switched on or off using the Mode button (ON or OFF appears on the display).
- The current setting is permanently saved.

### Checking the programming (only with RT 6112 ZL, RT 6127 ZL):

- Press and hold the mowing deck button. The mowing deck active symbol and the text ON or OFF appear on the display.  
**ON** – The mowing deck is automatically disengaged when the grass catcher box is full.  
**OFF** – The mowing deck is not automatically disengaged when the grass catcher box is full.

### 13.9 Emptying the grass catcher box



#### Risk of injury!

Only empty the grass catcher box on level surfaces, as the centre of gravity is changed by swinging up the grass catcher box and thus the danger of tipping over is increased.



A permanent continuous tone during mowing signals that the grass catcher box is completely full and must be emptied. The continuous tone ceases once the mowing deck has been disengaged. The "grass catcher box full" symbol appears on the display of the models RT 6112 ZL and RT 6127 ZL. (⇒ 10.5)

### The following points must be noted if the grass catcher box is not being completely filled:

- Correctly adjust the level sensor (grass catcher box). (⇒ 8.19)
- When emptying the grass catcher box, check the discharge chute for blockage and clean if necessary.
- Check the wings of the mowing blades for damage or wear and replace if necessary. (⇒ 15.13)

### Emptying the grass catcher box:

- Disengage the mowing deck. (⇒ 8.5), (⇒ 8.6)  
The continuous tone ceases.
- Select the highest cutting level. (⇒ 8.15)
- Drive the machine to the point at which the clippings are to be emptied.
- Pull out the grass catcher box emptying lever and push it forwards. (⇒ 8.16)  
The grass catcher box swings upwards and the clippings fall out.
- If necessary, drive forwards slightly with the grass catcher box raised.
- Briefly swing the grass catcher box up and down so that all the clippings fall out.
- Slowly move the grass catcher box emptying lever towards the rear and allow the grass catcher box to re-engage with the rear panel.
- Release the grass catcher box emptying lever again and press down until it has returned to the initial retracted position.

### 13.10 Removing and attaching the grass catcher box

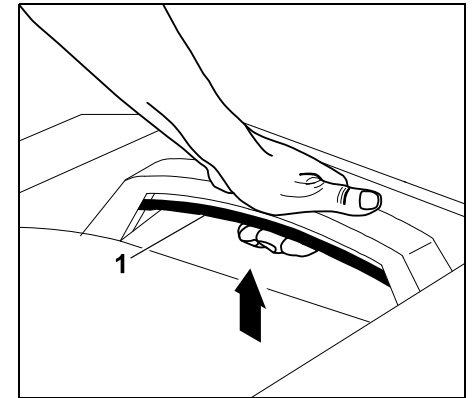
#### The following points must be noted before removing:

- Disengage the mowing deck. (⇒ 8.5), (⇒ 8.6)
- Empty the grass catcher box. (⇒ 13.9)
- Engage the parking brake. (⇒ 8.14)
- Stop the engine. (⇒ 13.3)

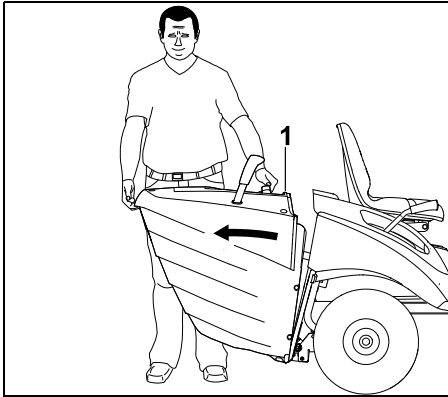


When removing and attaching the grass catcher box, the grass catcher box release lever must always be held in the released position until the grass catcher box has been fully removed or attached.

#### Removing the grass catcher box:

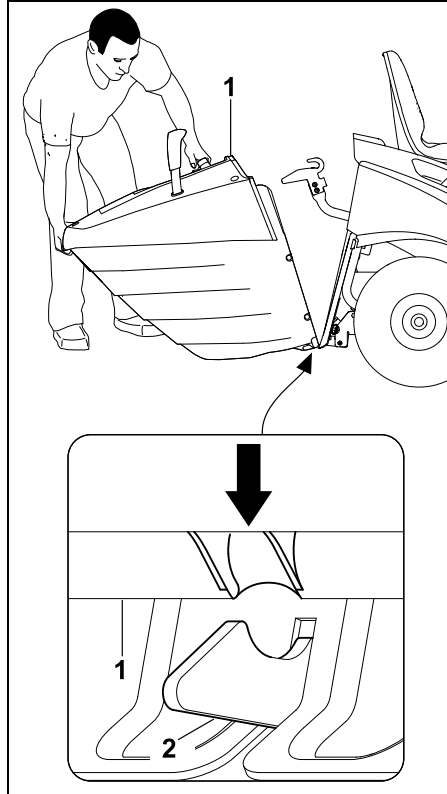


Pull the grass catcher box release lever (1) upwards and hold.



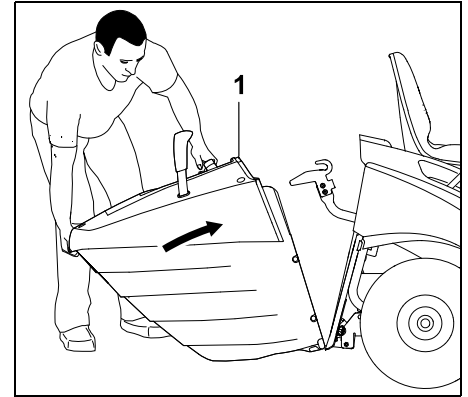
Remove the grass catcher box (1).

### Attaching the grass catcher box:



Position the grass catcher box (1) on both snap-in hooks (2) on the rear panel.

- Actuate and hold the grass catcher box release lever. (⇒ 8.17)



Raise the grass catcher box (1) to the stop.

- Release the grass catcher box release lever and ensure that the grass catcher box engages. (⇒ 8.17)



If the machine is operated without the grass catcher box or deflector (accessory), the mowing deck cannot be engaged and the engine stops automatically.

### 13.11 Pulling loads



#### Risk of injury!

The driving characteristics of the machine change when transporting loads (e.g. longer braking distance). The heavier the load, the more the driving characteristics change. Therefore select a lower driving speed when pulling loads.



#### Avoid damage to the machine!

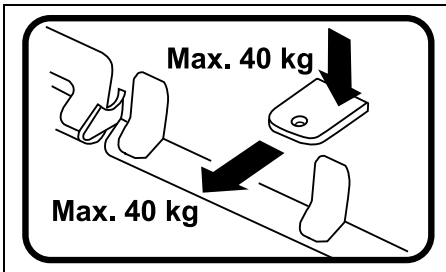
The maximum pulled load is reduced on inclines.

- Before attaching loads, check the braking function. (⇒ 13.5)



Maximum trailer weight on a level surface = **250 kg**

Maximum trailer weight on a maximum 10° incline = **100 kg**



Maximum coupling load = **40 kg**

Maximum pulled load = **40 kg**

**i** A pulled load of 40 kg at the trailer coupling is achieved when pulling a trailer with a weight of 250 kg on a level surface.

### 13.12 Operating on slopes

- Check the braking function before operating the mower on slopes. (⇒ 13.5)

- Drive slopes in a longitudinal direction. Driving transversely increases the danger of tipping over – note the maximum slope inclination. (⇒ 4.7)
- Avoid changes of direction on slopes – if changes of direction cannot be avoided, they must be executed with particular care.

## 14. Mowing deck

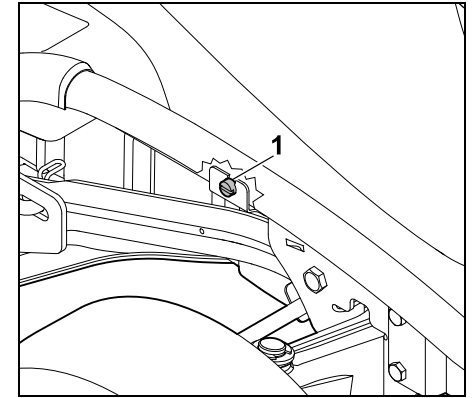
### 14.1 Removing the mowing deck

**! Risk of injury!** Prior to all operations on the mowing deck, carefully read and observe the section "For your safety". (⇒ 4.)

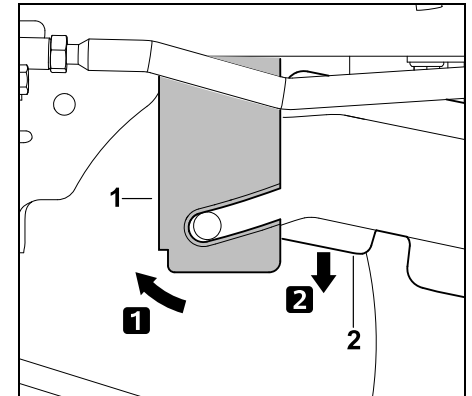
**Danger of pinching** when removing the mowing deck due to its inherent weight. Therefore ensure that no body parts (hands, fingers, feet, etc.) are positioned directly under the mowing deck.

- Park the machine on level and solid ground.
- Turn the front wheels to the left or right to the stop.
- Stop the engine. (⇒ 13.3)
- Remove the ignition key.
- Engage the parking brake. (⇒ 8.14)
- Select the lowest cutting level. (⇒ 13.6)
- Remove the grass catcher box. (⇒ 13.10)
- Remove the discharge chute. (⇒ 15.5)

### Detaching the V-belt cover:

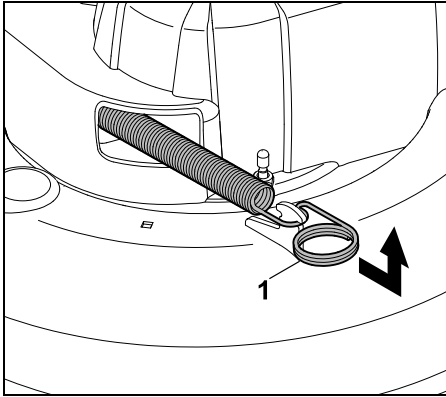


Loosen the screw (1) behind the right front wheel until it turns freely.



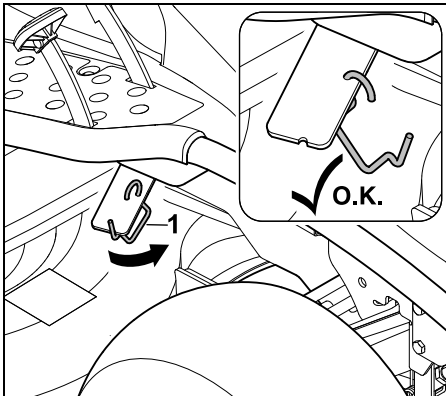
Press the retaining plate (1) forwards and hold in place. Fold the V-belt cover (2) downwards.

**Slackening the V-belt (RT 5097, RT 5097 Z):**

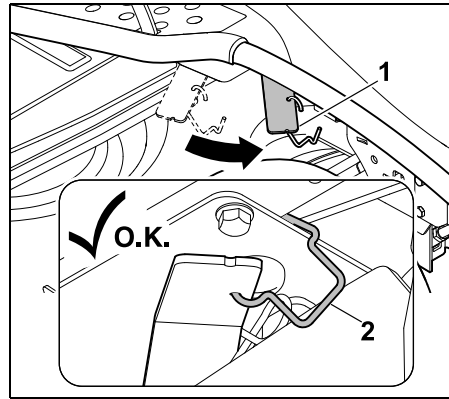


Pull the tension spring (1) forwards, detach and set down.

**Slackening the V-belt (RT 5112 Z, RT 6112 ZL, RT 6127 ZL):**



Detach the retainer (1) from the V-belt tensioner lever.



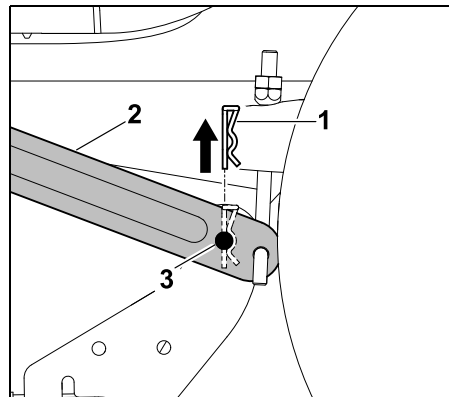
Press the V-belt tensioner lever (1) forwards and hold. Engage the retainer (2) at the frame as shown. Make sure that the V-belt tensioner lever is fixed in the front position.

**Detaching the mowing deck at the rear:**



**Risk of injury!**

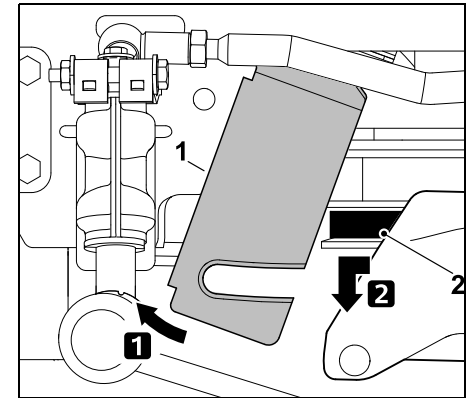
The cutting height adjustment lever is under tension when the mowing deck is detached. Therefore carefully set the highest cutting level immediately after detaching the mowing deck.



Pull out the cotter pin (1) upwards. Lift up the mowing deck slightly and hold. Push the mounting (2) outwards and remove the retaining pin (3) from the mounting.

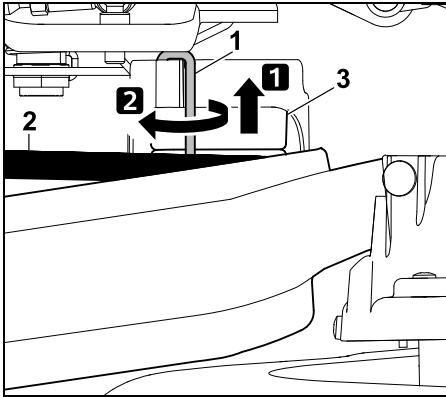
- Repeat this procedure on the other side.
- Carefully and slowly set down the mowing deck.

**Detaching the V-belt:**



Press the retaining plate (1) forwards and hold. Pull the V-belt (2) forwards and detach.

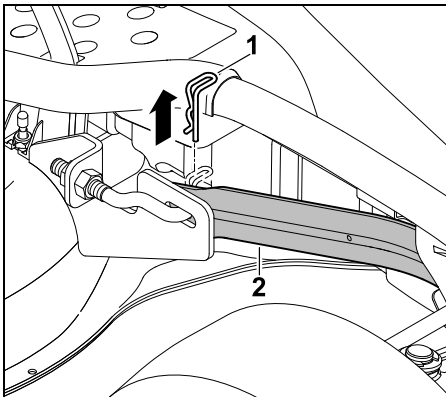
**Releasing the V-belt from the tension roller (RT 5112 Z, RT 6112 ZL, RT 6127 ZL):**



Push the locking pin (1) approx. 0,5 cm upwards and rotate it by 180°. Detach the V-belt (2) from the tension roller (3).

**i** After the V-belt is detached, rotate the locking pin back and push it down again as far as it will go until it engages in the cover. After engagement, check that the locking pin is securely seated.

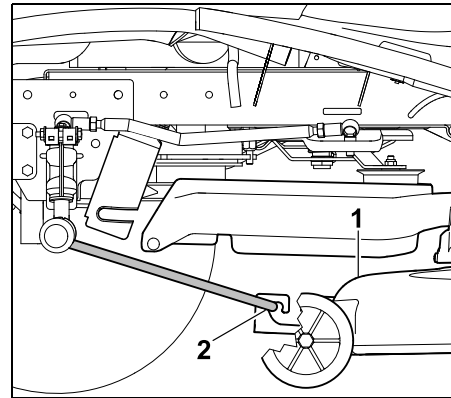
**Detaching the mowing deck at the front (RT 5097, RT 5097 Z):**



Remove the cotter pin (1). Lift the mowing deck slightly and detach it from the front mowing deck mounting (2). Carefully release the mowing deck.

- Repeat this procedure on the other side.
- Carefully and slowly set down the mowing deck.

**Detaching the mowing deck at the front (RT 5112 Z, RT 6112 ZL, RT 6127 ZL):**

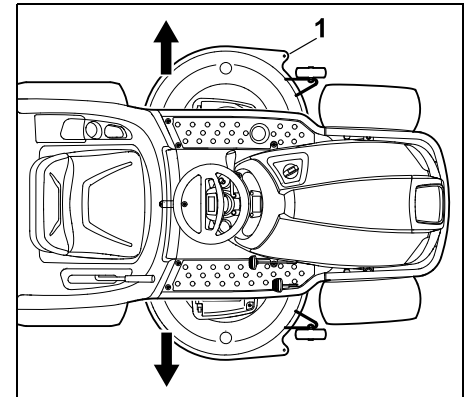


Push the mowing deck (1) forwards parallel and detach it at the front mowing deck mounting (2). The mounting automatically swings upwards.

- Carefully and slowly set down the mowing deck.

**Removing the mowing deck:**

- Set the highest cutting level.



Pull the mowing deck (1) out from under the ride-on mower either to the left or right.

**14.2 Installing the mowing deck**

**! Risk of injury!** Prior to all operations on the mowing deck, carefully read and observe the section "For your safety". (⇒ 4.)

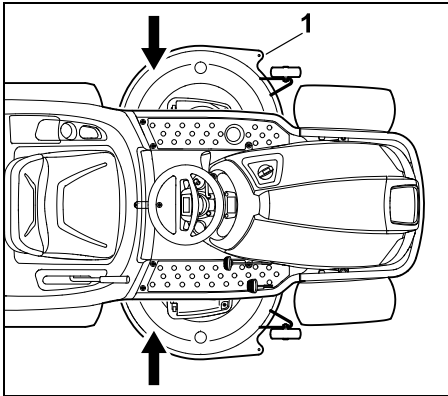
**Danger of pinching** when installing the mowing deck due to its inherent weight. Therefore ensure that no body parts (hands, fingers, feet, etc.) are positioned directly under the mowing deck.

- Park the machine on level and solid ground.
- Turn the front wheels to the left or right to the stop.
- Stop the engine. (⇒ 13.3)
- Remove the ignition key.
- Engage the parking brake. (⇒ 8.14)
- Select the highest cutting level. (⇒ 13.6)

- Remove the grass catcher box. (⇒ 13.10)
- Remove the discharge chute. (⇒ 15.5)

### Pushing in the mowing deck:

- Position the V-belt in the opening in the V-belt cover so that it is accessible and can be attached.



Push the mowing deck (1) under the ride-on mower either from the left or right.

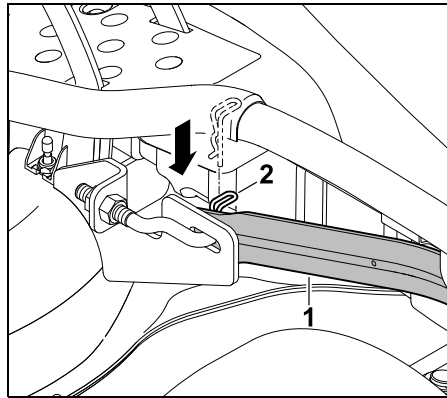
- Select the lowest cutting level.



### Risk of injury!

In the lowest cutting level, the cutting height adjustment lever is under tension. Do not touch the cutting height adjustment lever during installation of the mowing deck.

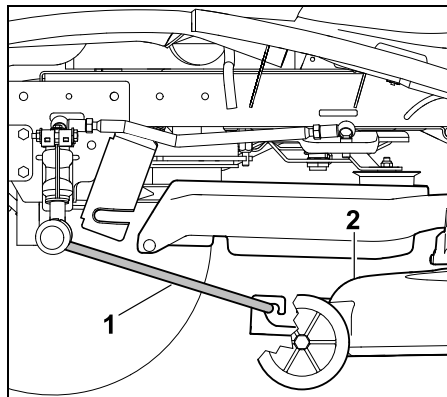
### Attaching the mowing deck at the front (RT 5097, RT 5097 Z):



Pull the front mowing deck mounting (1) downwards and hold. Raise the mowing deck slightly with one hand and insert the mounting pin on the mowing deck into the bore on the front mowing deck mounting (1). Insert the cotter pin (2) through the bore in the mounting pin.

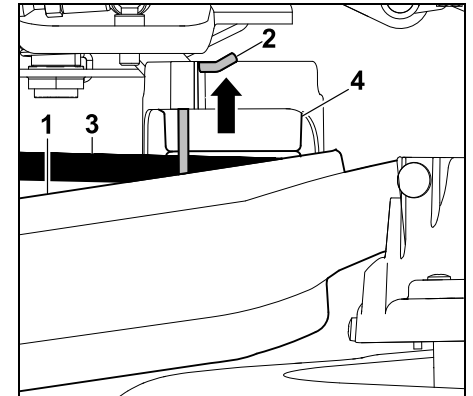
- Repeat this procedure on the other side.

### Attaching the mowing deck at the front (RT 5112 Z, RT 6112 ZL, RT 6127 ZL):

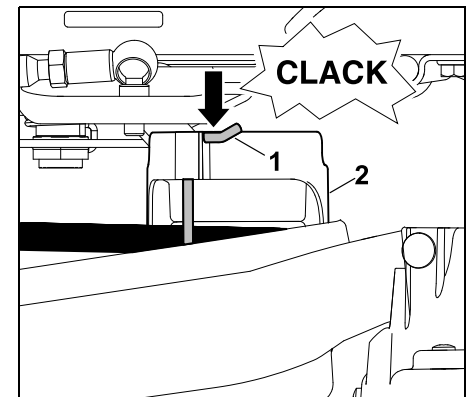


Swivel the front mowing deck mounting (1) downwards and attach to the mowing deck (2) as shown. Push the mowing deck (2) to the rear, attaching the front mowing deck mounting (1) to the mowing deck.

### Fitting the V-belt onto the tension roller RT 5112 Z, RT 6112 ZL, RT 6127 ZL:



Press the cover (1) downwards and hold it. Push the locking pin (2) approx. 0,5 cm upwards. Fit the V-belt (3) onto the tension roller (4).

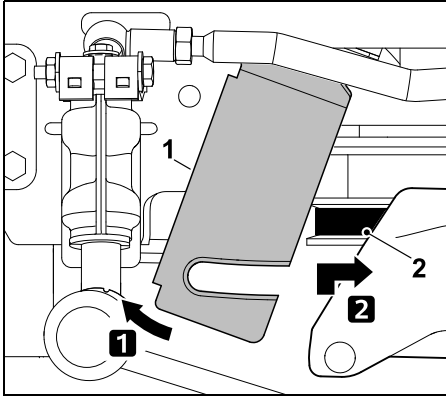




Push the locking pin (1) down again as far as it will go. The locking pin (1) must engage in the cover (2).

**i** Check that the locking pin is seated securely.

**RT 5097, RT 5097 Z, RT 5112 Z,  
RT 6112 ZL, RT 6127 ZL:**

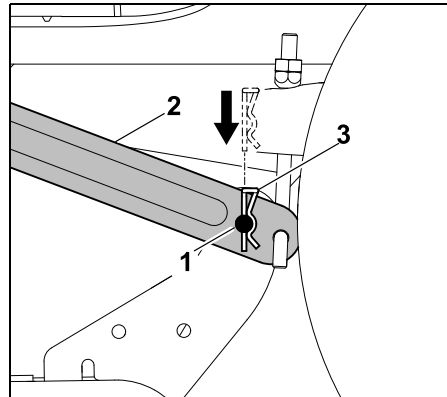


Press the retaining plate (1) forwards and hold. Pull the V-belt (2) forwards and lift with the V-belt cover. Fit the V-belt (2) correctly onto the V-belt pulley (without twisting).

**Attaching the mowing deck at the rear:**

**i** Before attaching, check that the mowing deck is correctly attached at the front mowing deck mounting.

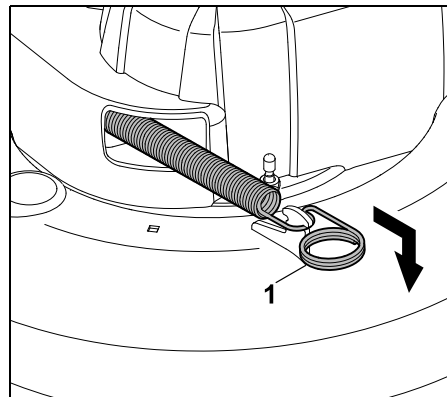
- Raise the mowing deck with one hand and hold. The bores in the mounting must be aligned with the retaining pins on the mowing deck.



Guide the retaining pins (1) into the bores in the mounting (2). Insert the cotter pin (3) into the retaining pin bores from above and allow to engage.

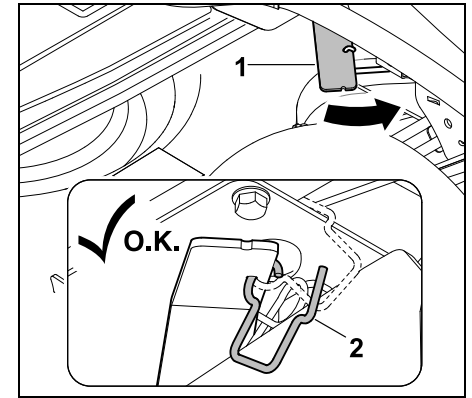
- Repeat this procedure on the other side.

**Tensioning the V-belt (RT 5097,  
RT 5097 Z):**

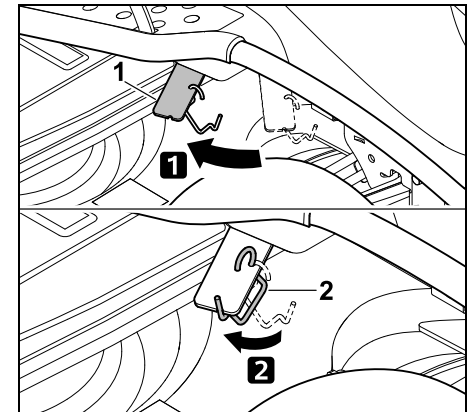


Pull the tension spring (1) forwards and attach to the mowing deck as shown.

**Tensioning the V-belt (RT 5112 Z,  
RT 6112 ZL, RT 6127 ZL):**

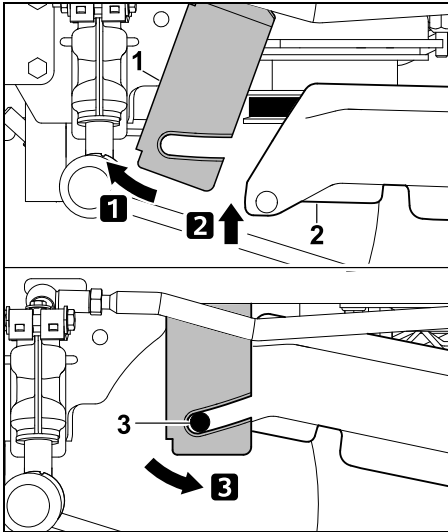


Press the V-belt tensioner lever (1) forwards and hold. Detach the retainer (2).

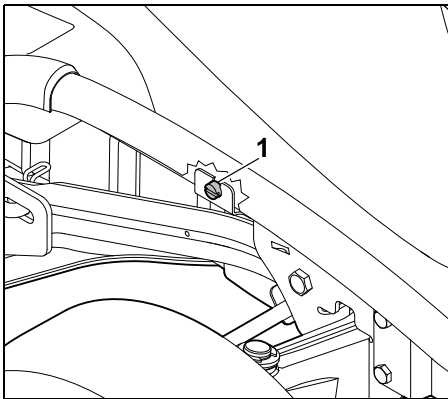


Tension the V-belt by relieving the load on the V-belt tensioner lever (1). Attach the retainer (2) to the V-belt tensioner lever (1) as shown.

## Installing the V-belt cover:



Press the retaining plate (1) forwards and hold in place. Fold the V-belt cover (2) upwards. Guide the retaining plate (1) to the rear and engage at the two retaining tabs (3) on the V-belt cover.



Fasten the retaining plate in place using the screw (1).

- Install the discharge chute. (⇒ 15.6)

## 15. Maintenance



### Risk of injury!

Before all maintenance and repair work, carefully read and observe the section "For your safety" and especially the subsection "Maintenance and repairs". (⇒ 4.)

Remove the ignition key to prevent inadvertent starting of the engine.



Always wear gloves.



Never touch the mowing blades before they have come to a standstill.

For safety reasons, maintenance operations on the brakes are not permitted. Only allow adjustment and maintenance operations to be performed by a specialist dealer. STIHL recommends STIHL specialist dealers.

### General maintenance instructions:

- The maintenance schedule and maintenance intervals must be strictly observed.
- Observe the maintenance schedule and maintenance operations in the engine instruction manual.

### Before any maintenance, repair and cleaning operations:

- Park the machine on level and solid ground.
- Stop the engine. (⇒ 13.3)
- Engage the parking brake. (⇒ 8.14)
- Allow the engine and muffler to cool down completely.

The following maintenance and repair work can be found in the engine instruction manual:

- Replacing the air filter.
- Information on engine oil (type, oil capacity, etc.).
- Checking and replacing the spark plug.
- Changing the fuel filter.
- Cleaning the engine.

### 15.1 Maintenance schedule

All the instructions in the maintenance schedule must be strictly observed. Non-observance of the maintenance plan can lead to significant damage to the machine.



### Note

Due to heavy-duty use, especially in professional operation, shorter maintenance intervals than those specified here may be required. Moreover, extreme external conditions such as sandy or stony ground, dust, etc. may lead to shorter maintenance intervals than those specified in the instruction manual. An inspection by a specialist dealer must be performed after every 100 operating hours or once a year. STIHL recommends STIHL specialist dealers.

### Display of operating hours (RT 6112 ZL, RT 6127 ZL):

In order to ensure that the various maintenance intervals can be observed exactly, the ride-on mowers RT 6112 ZL,

RT 6127 ZL are equipped with an hour meter. The operating hours are indicated as full hours.

- With the **engine switched off**, turn the ignition key to the "ignition on" position. (⇒ 8.1)  
The operating hours are shown on the display for 5 seconds. (⇒ 10.1)
- With the **engine running**, press the Mode button. (⇒ 10.3)  
The operating hours are shown on the display for 5 seconds.

#### **Maintenance operations prior to initial use:**

In order to achieve more efficient and safer operation and to prevent faults, it is important to be familiar with the condition of the machine.

For this purpose, the following checks are required before each start (visual inspection):

- Tyre pressure. (⇒ 15.16)
- Wear and damage to tyres.
- Leaks in fuel carrying lines.
- Engine oil level (see engine instruction manual).
- Fuel-tank level.
- General visual inspection of the machine and mowing deck. Particularly the protective covers must be inspected for damage.
- Tightness of bolted connections.

#### **Maintenance operations after each use:**

- Clean the entire machine (mowing deck, discharge chute, grass catcher box) and all attachments.

- Observe the instructions on cleaning the engine (see engine instruction manual).
- Remove grass residues from the gearbox (by brushing off), remove any other dirt from the gearbox.
- Check the cooling ribs of the engine and hydrostatic gearbox and clean if necessary.

#### **Maintenance operations after the first 10 operating hours (initial operation):**

- An inspection by your specialist dealer is recommended.  
STIHL recommends STIHL specialist dealers.

#### **Maintenance operations after every 25 operating hours:**

- Check the blade fastenings and mowing blade wear limits.
- Check the installation position of the mowing blades (RT 5112 Z, RT 6112 ZL, RT 6127 ZL).

#### **Maintenance operations after every 50 operating hours:**

- Check the installation position of the mowing deck. (⇒ 15.14)

#### **Maintenance operations after every 100 operating hours:**

- Replace the mowing blades.
- Maintain the V-belt or toothed belt.
- Inspection by a specialist dealer. STIHL recommends STIHL specialist dealers.



All required maintenance operations on the brake system and gearbox are carried out during the inspection.

## **15.2 Cleaning the machine**



### **Avoid damage to the machine!**

Never spray water (high-pressure cleaner) onto engine components, seals, electrical components (battery, wiring harness, etc.) and bearing points. This may result in damage and expensive repairs.

Do not use aggressive cleaning agents. These cleaners can damage plastics and metals, impairing the safe operation of your STIHL machine. If you are unable to remove the dirt with water using a brush or a cloth, STIHL recommends the use of a special cleaner (e.g. STIHL special cleaner).



Always remove the mowing deck for cleaning and maintenance operations.

- Stop the engine. (⇒ 13.3)
- Engage the parking brake. (⇒ 8.14)
- Remove the ignition key and keep it in a safe place.
- Remove the mowing deck. (⇒ 14.1)
- First, remove accumulated clipping deposits in the mowing deck housing using a stick.
- Clean the underside of the mowing deck with water and a brush.
- When cleaning the upper side of the mowing deck, ensure that the V-belt and toothed belt do not get wet – never spray water into the openings in the covers.

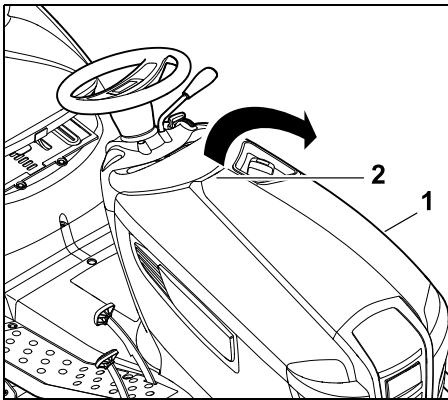
- Clean the discharge chute using running water and a brush when removed and well away from the machine.
- Remove grass residues from the mowing deck (upper and underside), engine compartment and gearbox. Clean the cooling ribs of the engine and gearbox.
- Clean the mowing blades with water and a brush – under no circumstances should you hit the mowing blades (e.g. with a hammer) to loosen dirt.
- Remove the grass catcher box clean using running water and a brush well away from the machine. (⇒ 13.10)

### 15.3 Opening the engine hood



#### **Danger of burns!**

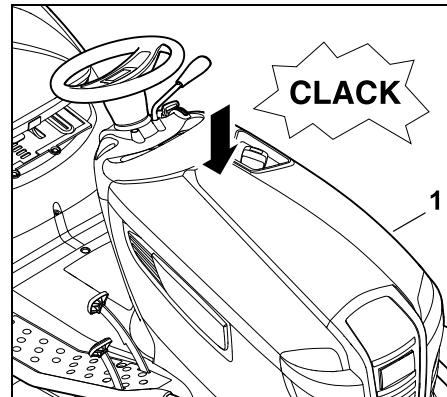
Allow the engine to cool down before opening the engine hood.



Hold the engine hood (1) with one hand at the handle (2) and open by pulling gently upwards.

Fold the engine hood (1) forwards to the stop.

### 15.4 Closing the engine hood



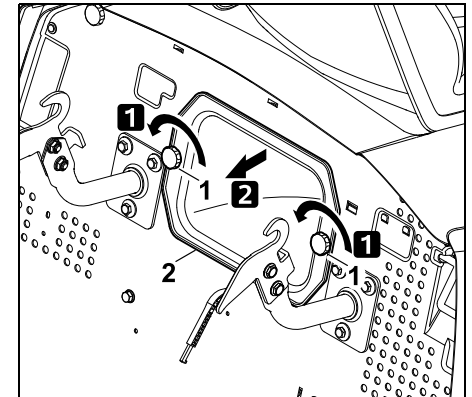
Close the engine hood (1) carefully and slowly and allow to engage.

### 15.5 Removing the discharge chute

The discharge chute can be removed for cleaning without the use of additional tools. The engine cannot be started when the discharge chute is removed.

**The following points must be observed before removal:**

- Stop the engine. (⇒ 13.3)
- Remove the ignition key and keep it in a safe place.
- Engage the parking brake. (⇒ 8.14)
- Remove the grass catcher box. (⇒ 13.10)



Unscrew the retaining nuts (1), remove the discharge chute (2).



The "discharge chute removed" symbol appears on the display on the models RT 6112 ZL and RT 6127 ZL when the ignition key is turned to the "lights on" or "ignition on" position. (⇒ 10.5)

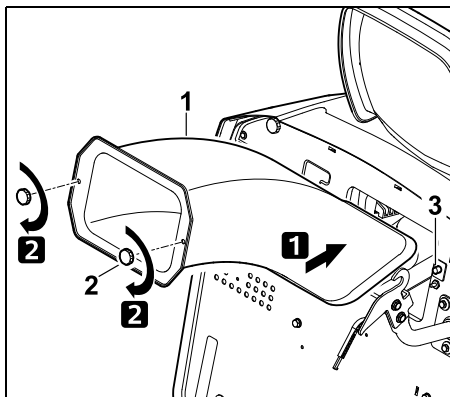
### 15.6 Installing the discharge chute



When cleaning the discharge chute or each time it is removed, also check the level sensor (grass catcher box) and clean if necessary.

**The following points must be observed before installation:**

- Engage the parking brake. (⇒ 8.14)
- Remove the grass catcher box. (⇒ 13.10)
- Select the lowest cutting level.



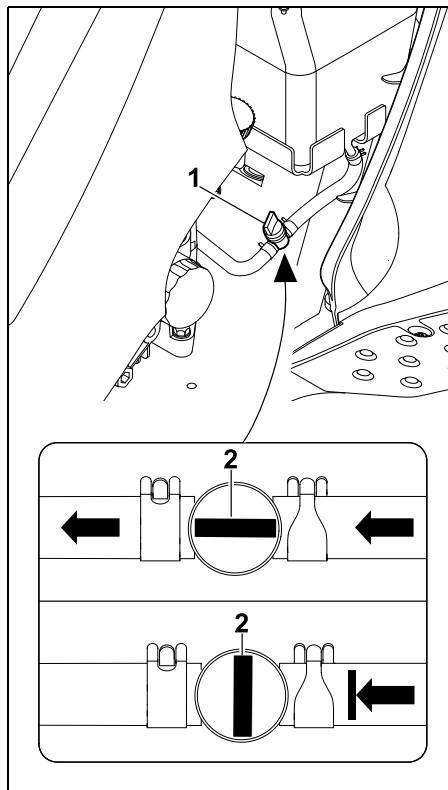
Push the discharge chute (1) in to the stop. When pushing in, ensure that the discharge chute fits over the discharge opening of the mowing deck on all sides. Screw in the retaining nuts (2) and tighten.

**Warning!** The discharge chute is one of the protective covers. Do not operate the ride-on mower with a damaged discharge chute. When installing the discharge chute, make sure that the switch (3) is actuated.

### 15.7 Fuel cock

The flow of fuel in the fuel line is enabled or interrupted by opening or closing the fuel cock. The fuel cock is located on the left under the fuel tank.

- Stop the engine. (⇒ 13.3)
- Engage the parking brake. (⇒ 8.14)



The fuel cock (1) is opened and closed by turning the control valve (2).

### 15.8 Checking the engine oil filling level

- Park the machine on a flat, level surface.
- Stop the engine. (⇒ 13.3)
- Engage the parking brake. (⇒ 8.14)
- Allow the engine to cool down.
- Open the engine hood. (⇒ 15.3)

- Check the filling level as per the engine instruction manual – top up the engine oil if necessary. (⇒ 15.10)

### 15.9 Changing the engine oil

**Risk of injury!** Allow the engine to cool down before topping up the engine oil or before changing the oil. Danger of burns due to hot engine oil.

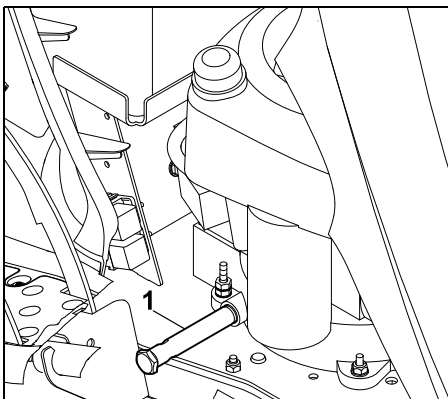
Information regarding the specified engine oil and oil capacity can be found in the engine instruction manual. Perform an oil change when the engine is warm to the touch. Place a suitable oil collection container (note engine oil capacity) under the oil drain tube. Dispose of used oil in conformance with statutory requirements.

#### Oil change interval:

The recommended oil change intervals can be found in the engine instruction manual.

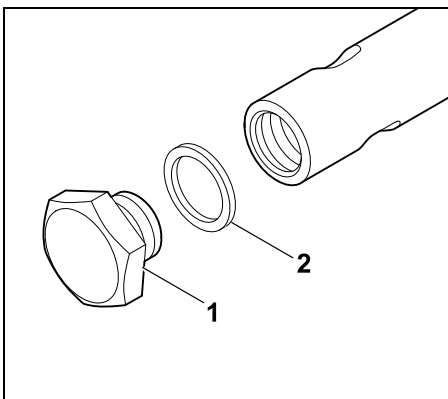
#### Draining the engine oil:

- Stop the engine. (⇒ 13.3)
- Engage the parking brake. (⇒ 8.14)
- Remove the ignition key and keep it in a safe place.
- Allow the engine to cool down (warm to the touch).
- Open the engine hood. (⇒ 15.3)
- Unscrew the oil cap (see engine instruction manual).



The oil drain tube (1) is located on the right-hand side of the engine, near the two pedals.

- Place a suitable oil collecting container underneath.



Using two spanners (A/F 19/A/F 15), unscrew the oil drain plug (1) and remove. Dispose of the seal ring (2).

- Drain all the engine oil.  
Then fit the new seal ring (2) onto the oil drain plug (1). Screw the oil drain plug into the oil drain tube and tighten to **12 - 14 Nm**.

## 15.10 Topping up engine oil



### Avoid damage to the machine.

Avoid exceeding and falling below the correct engine oil level.

- Open the engine hood. (⇒ 15.3)
- Check the engine oil filling level. (⇒ 15.8)
- Top up the engine oil as per the engine instruction manual – use a suitable funnel.
- Close the engine hood. (⇒ 15.4)

## 15.11 Checking the safety devices



### Risk of injury!

The safety devices must only be checked from the driver's seat. No persons, particularly children, or animals must be in the vicinity. Proper functioning of the safety devices must be checked at least once a month.

Following longer periods without use, for low-use machines or after repairs, always check all safety devices before using again.

### Checking the brake switch:

- Sit on the driver's seat.
- Stop the engine and allow it to come to a standstill. (⇒ 13.3)
- Release the parking brake and do **not** actuate the brake pedal.
- Turn the ignition key to the "start engine" position. (⇒ 8.1)

The engine cannot be started when the brake switch is functioning correctly.

### Checking the seat switch:

- Sit on the driver's seat.
- Start the engine (⇒ 13.2) and allow it to run at maximum speed. (⇒ 8.2), (⇒ 8.3)
- Engage the mowing deck. (⇒ 8.5), (⇒ 8.6)
- Relieve the weight on the driver's seat by standing up slowly and carefully. Do not dismount!

The engine will be switched off if the seat switch is functioning.

### Checking the grass catcher box switch:

- Sit on the driver's seat.
- Start the engine (⇒ 13.2) and allow it to run at maximum speed. (⇒ 8.2), (⇒ 8.3)
- Engage the mowing deck. (⇒ 8.6), (⇒ 8.6)
- From the driver's seat, tilt (empty) the grass catcher box upwards using the grass catcher box emptying lever. (⇒ 13.9)

The engine will be switched off and the mowing deck disengaged if the grass catcher box switch is functioning.

### Checking the discharge chute switch:

- Remove the discharge chute (⇒ 15.5) and then attach the grass catcher box again. (⇒ 13.10)
- Sit on the driver's seat.

- Press the brake pedal to the stop and hold. (⇒ 8.13)
- Turn the ignition key to the "start engine" position. (⇒ 8.1)

**The engine cannot be started when the discharge chute switch is functioning correctly.**

#### Checking the reverse mowing safety switch:

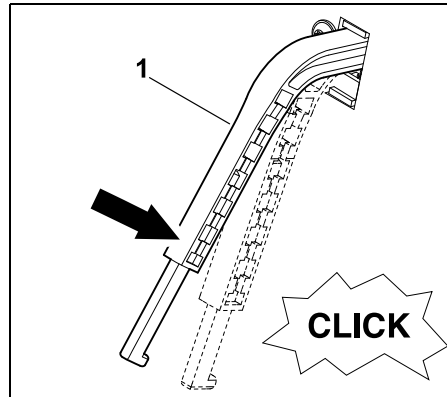
- Sit on the driver's seat – do **not** press the reverse mowing safety switch.
- Start the engine (⇒ 13.2) and allow it to run at maximum speed. (⇒ 8.2), (⇒ 8.3)
- Engage the mowing deck. (⇒ 8.5), (⇒ 8.6)
- Select reverse driving direction and drive off. (⇒ 8.9)

**If the reverse mowing safety switch is functioning, the mowing deck will be disengaged after 1 second.**

#### 15.12 Cleaning the level sensor (grass catcher box)

The level sensor (grass catcher box) may become soiled when mowing wet or moist grass. This results in impaired function. By way of prevention, clean the level sensor following each mowing operation or each time the discharge chute is cleaned.

- Stop the engine. (⇒ 13.3)
- Remove the ignition key and keep it in a safe place.
- Engage the parking brake. (⇒ 8.14)
- Remove the grass catcher box. (⇒ 13.10)



Using slight pressure, press the level sensor (grass catcher box) (1) downwards. When doing so, it must move easily and a quiet "clicking" of the switch must be audible.

After the level sensor is released, it must automatically return upwards to the initial position.

- If the level sensor does not move easily or is dirty, carefully clean it using a brush – do not use water.

#### 15.13 Mowing blade maintenance



##### Risk of injury!

Always wear gloves. If you do not have the necessary expertise or auxiliary equipment, please **always** contact a specialist dealer (STIHL recommends STIHL specialist dealers).

Never touch the mowing blades before they have come to a standstill. Always set down the mowing deck on a non-slip surface.



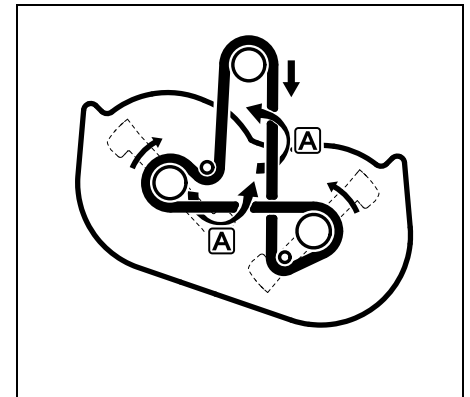
#### Maintenance interval:

Every 25 operating hours

#### Maintenance operations:

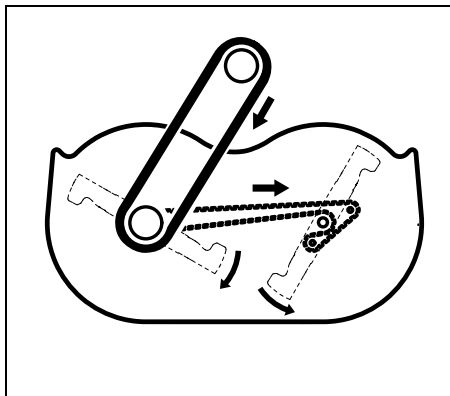
- Check the mowing blade wear limits.
- RT 5112 Z, RT 6112 ZL, RT 6127 ZL: Check the installation position of the mowing blades.
- Sharpen or replace the mowing blades if necessary (poor mowing result).

#### Routing of the V-belt and rotational direction of the mowing blades on the models RT 5097, RT 5097 Z:



The V-belt is twisted through 180° due to the double diversion at the positions **A**.

**Routing of the V-belt or toothed belt and rotational direction of the mowing blades on the models RT 5112 Z, RT 6112 ZL, RT 6127 ZL:**



**i** Maintenance and checking of toothed belts must only be carried out by STIHL specialist dealers.

**Checking the mowing blade wear limits:**

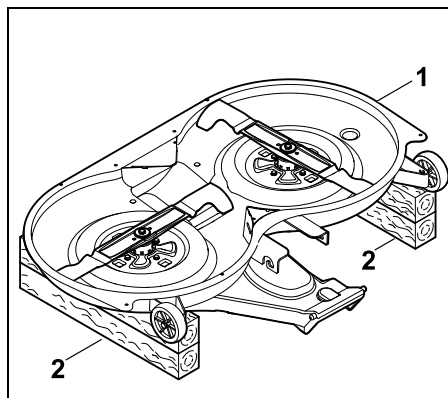
**! Risk of injury!**  
A worn mowing blade may break off and cause serious injuries. The instructions for blade maintenance must therefore always be observed. Mowing blades are subject to differing degrees of wear depending on the location and duration of use. If you use the machine on sandy ground or use it frequently under dry conditions, the mowing blade will be subjected to greater loads and will wear more quickly than normal.

**Caution!**

**Always** replace the **blade fastening screw** and the **retaining washer** when replacing the mowing blade.

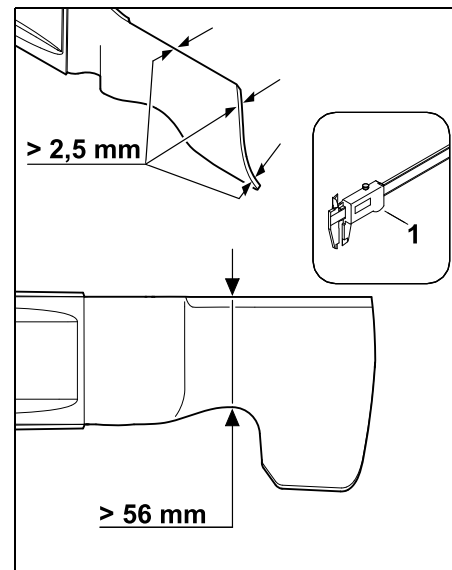
**i** STIHL recommends removing the mowing deck if the wear limits need to be checked. If a suitable lifting platform is available, the mowing blade wear limits can also be checked with the mowing deck installed.

- Remove the mowing deck. (⇒ 14.1)



Turn over the mowing deck (1) and set down with the blades facing upwards on wooden supports (2) approx. 20 cm high and sufficiently long.

- Carefully clean the mowing deck and mowing blades. (⇒ 15.2)



The mowing blades must be at least **2.5 mm** thick and at least **56 mm** wide at their narrowest point.

Check the **blade thickness** of the two mowing blades using a slide calliper (1) at several points. Check the **blade width** at the point shown, again using a slide calliper (1).

Replace the mowing blades if any of the measured points no longer meet the specified values.



## Checking the installation position of the mowing blades (RT 5112 Z, RT 6112 ZL, RT 6127 ZL):



### Risk of injury!

The mowing blades must be installed offset at an angle of approx. 90° to each other to prevent them touching during mowing.

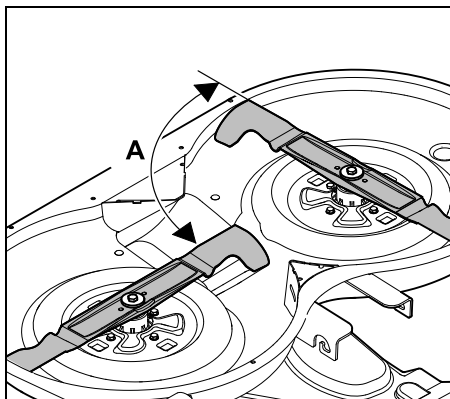
The mowing deck must not be engaged if the angle of the blades relative to each other is not as specified.

If necessary consult a specialist dealer. STIHL recommends STIHL specialist dealers.



STIHL recommends removing the mowing deck if the installation position needs to be checked. If a suitable lifting platform is available, the installation position of the mowing blades can also be checked with the mowing deck installed.

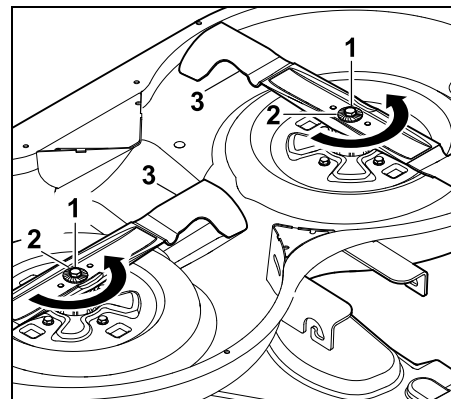
- Set down the mowing deck on two suitable wooden supports if necessary.



Turn the mowing blades as shown and check the angle **A** (approx. 90°) of the blades relative to each other.

## Removing the mowing blades:

- Remove the mowing deck. (⇒ 14.1)
- Set down the mowing deck on suitable wooden supports.



Loosen and remove the blade fastening screw (1) using an A/F 17 spanner (not included in standard equipment).

Counterhold the mowing blade when loosening the blade fastening screw. Remove the blade fastening screw (1) with the retaining washer (2) and mowing blade (3).

## Sharpening the mowing blades:



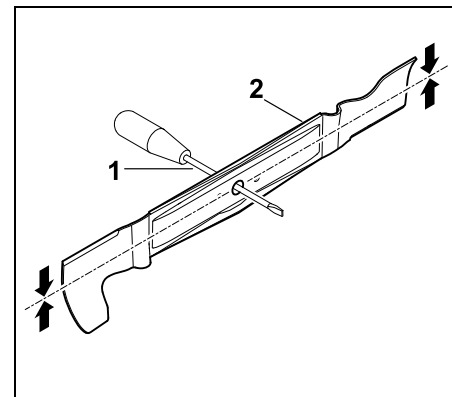
### Risk of injury!

Always wear safety glasses and gloves when sharpening.

- Cool the mowing blades when sharpening, e.g. with water. The blades must not be allowed to display blue colouring, as this would reduce their cutting quality.
- Sharpen blades evenly to prevent vibration due to imbalance.

- Observe a cutting angle of 30°.
- Observe the wear limits when sharpening.

## Checking the balance of the mowing blades:



Insert a screwdriver (1) through the central bore.

When the mowing blade (2) is properly balanced, it must balance in the position illustrated.



### Risk of injury!

If the mowing blade does not balance, the sharpening procedure must be repeated until the blade is balanced.

The mowing blade may only be balanced by means of sharpening back the cutting edges.

## Installing the mowing blade:



### Risk of injury!

Before installing, check the mowing blade for damage (notches or cracks) and wear.

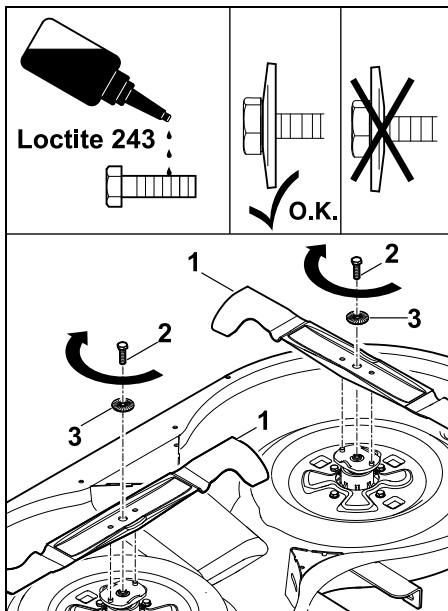
Worn or damaged mowing blades must be replaced.

Replace the retaining washer each time the blade is installed.

Additionally secure the blade fastening screw with **Loctite 243**.

Observe the specified torque of **65 - 70 Nm** when tightening the blade fastening screws, as the secure attachment of the cutting tool depends on this.

- Install the mowing blade with the curved vanes pointing upwards (towards the mowing deck).



Fit the mowing blade (1), screw in the blade fastening screw (2 – apply **Loctite 243**) with retaining washer (3 – observe convexity) and tighten to a torque of **65 - 70 Nm**. Counterhold the mowing blade when tightening the blade fastening screw.

- RT 5112 Z, RT 6112 ZL, RT 6127 ZL:  
Check the installation position of the mowing blades.

## 15.14 Checking the installation position of the mowing deck

### Maintenance interval:

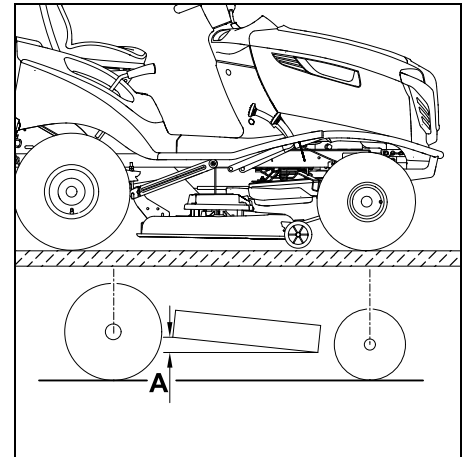
Every 50 operating hours or as required (e.g. following severe impacts to the mowing deck or a poor cut).



Uniform tyre pressure is a prerequisite for checking the correct installation position. Therefore check the tyre pressure of all the tyres and adjust if necessary before checking the installation position. (⇒ 15.16)

The mowing deck is in the correct installation position when it is tilted slightly forwards – the front of the mowing deck is slightly lower than the rear.

- Park the machine on level ground.
- Stop the engine. (⇒ 13.3)
- Engage the parking brake. (⇒ 8.14)
- Remove the ignition key and keep it in a safe place.
- Select the lowest cutting level. (⇒ 8.15)



Difference in height **A = 10 mm**.

## 15.15 Changing the wheels

In the case of damage (holes, cracks, cuts, etc.) to the wheels, remove the damaged wheel and take it to a specialised dealer.

### Lifting and supporting the machine:



### Risk of injury!

Bear in mind the heavy weight of the machine when lifting it (see section "Technical specifications"). (⇒ 22.)

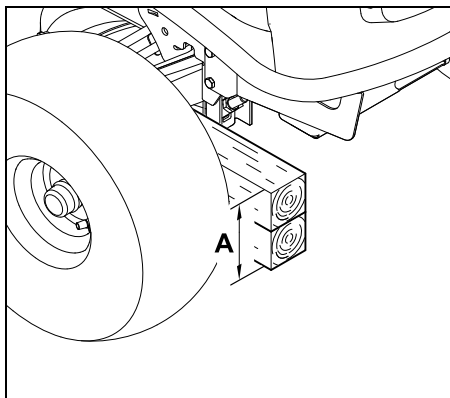
If necessary, lift the machine with the help of a second person or using a jack (not included in the standard equipment).

Secure the machine against rolling away before lifting.

The brake only acts on the rear wheels. Secure the machine against rolling away when lifting the rear axle.

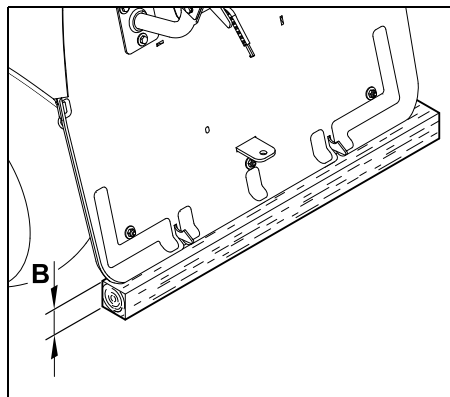
- ! Avoid damage to the machine**  
When supporting, ensure that only the axle or the rear panel of the machine contacts the trailer coupling.  
Only lift the machine at suitable components (e.g. frame, rims, axle). Never lift or support the machine at plastic parts.

- Park the machine on firm and level ground and secure it against rolling away.
- Stop the engine. (⇒ 13.3)
- Engage the parking brake. (⇒ 8.14)
- Remove the ignition key and keep it in a safe place.



To relieve the weight on the **front wheels**, support the ride-on mower at the front axle:

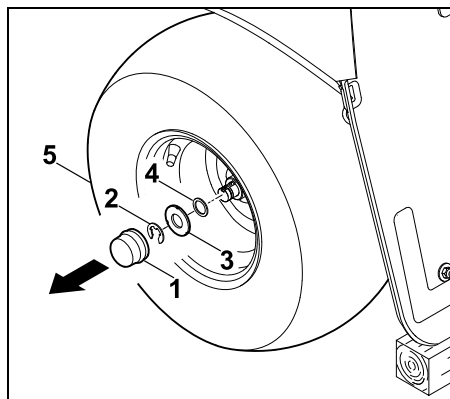
A = at least **260 mm**



To relieve the weight on the **rear wheels**, support the ride-on mower at the rear panel:

B = at least **120 mm**

#### Removing the wheel:



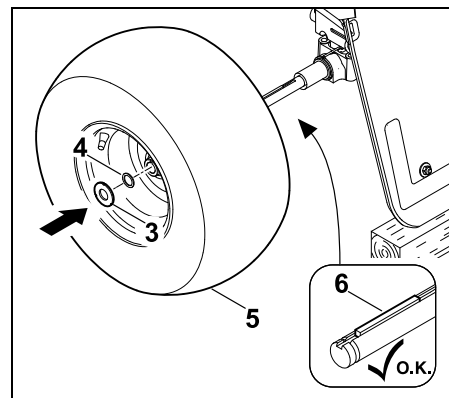
Remove the cap (1). Remove the retaining ring (2) using a screwdriver. Pull the large washer (3) and small washer (4 – on the rear wheel only) together with the wheel (5) off the wheel axle.

- ! Avoid damage to the machine.**  
When removing the rear wheels, ensure that the couplers (feather keys) are not lost.

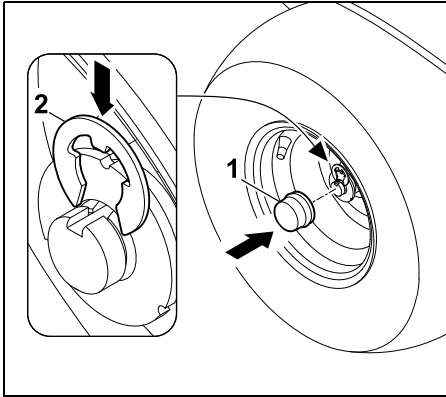
#### Installing the wheel:

- ! Avoid damage to the machine.**  
Before installing the rear wheels, ensure that the couplers (feather keys) are correctly positioned in the groove of the wheel axle.

- Remove dirt from the wheel axle.
- Lightly coat the wheel axle with grease before installation.



Insert the feather key (6) in the rear wheel axle. Push the wheel (5 – valve facing outwards) with the small washer (4 – on the rear wheel only) and the large washer (3) onto the wheel axle.

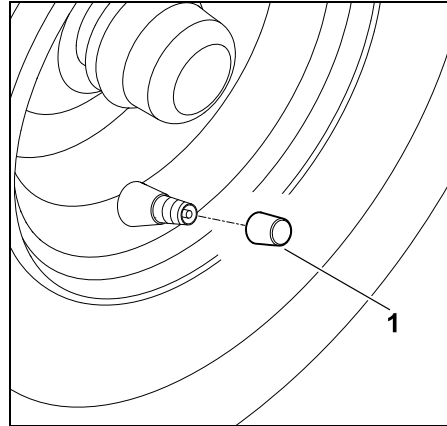


Allow the retaining ring (2) to engage in the groove on the wheel axle.  
Fit the cap (1) onto the wheel axle.

### 15.16 Tyre pressure

**i** Correct tyre pressure is an important prerequisite for alignment of the mowing deck and consequently for a clean cutting pattern.

Moreover, the turf may be damaged by the tyre studs in the case of excessively high tyre pressure.



Remove the cap from the valve (1). Inflate the tyres to the following tyre pressures using a suitable air pump with pressure gauge:

**Front tyres:** 0.8 – 1.0 bar

**Rear tyres:** 0.6 – 0.8 bar

### 15.17 Lubrication

Lubricate the two front steering knuckles via the two grease nipples on the front axle.



#### Note

Before lubricating, the front axle must be unloaded by supporting appropriately.

The grease nipple must be cleaned before lubricating, so that no dirt enters the steering knuckle.

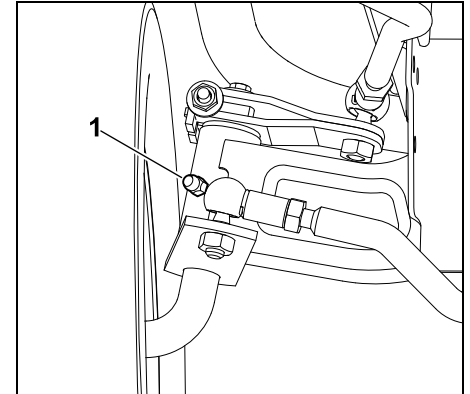
Escaping grease should always be removed (wiped off) after lubricating.

Use commercially available lubricating grease.

#### Lubricating:

- Stop the engine. (⇒ 13.3)

- Remove the ignition key and keep it in a safe place.
- Engage the parking brake. (⇒ 8.14)
- Unload the front axle by supporting (lifting) it. (⇒ 15.15)



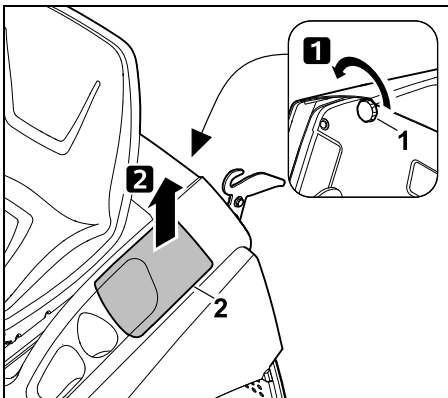
Using a grease gun (not included in standard equipment), inject grease on both sides via grease nipples (1) until small amounts of grease escape from the steering knuckles.

- Remove escaping lubricating grease.
- Remove support for the front axle.

### 15.18 Opening and closing the battery compartment

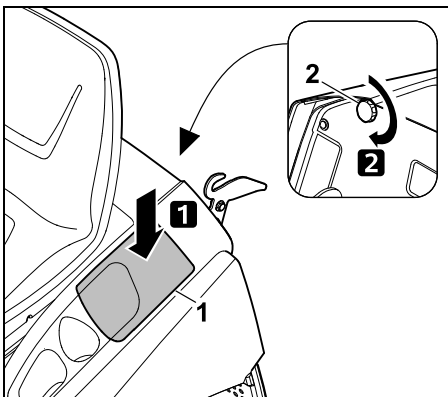
- Stop the engine. (⇒ 13.3)
- Engage the parking brake. (⇒ 8.14)
- Remove the ignition key and keep it in a safe place.
- Remove the grass catcher box. (⇒ 13.10)

## Opening the battery compartment:



Unscrew the retaining nut (1) and remove the battery compartment cover (2) forwards.

## Closing the battery compartment:



Position the battery compartment cover (1) as shown and fasten using the retaining nut (2).

## 15.19 Removing and installing the battery



### Risk of injury!

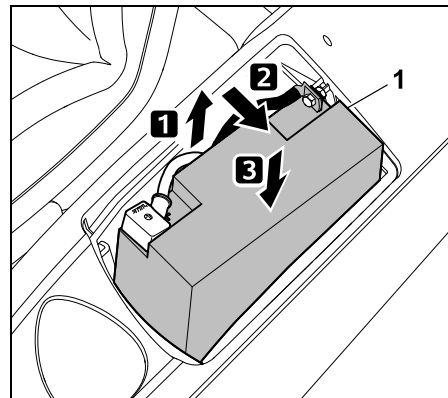
Always remove the black negative (-) cable first and only then, the red positive (+) cable. When connecting the battery, always connect the red positive (+) cable first.



The battery is maintenance free and must only be replaced if it is damaged and must be removed in the case of prolonged immobilisation (e.g. winter break) or disposal of the machine. Do not dispose of the battery with domestic waste, but hand it in to a specialist dealer or at a hazardous waste collection point.

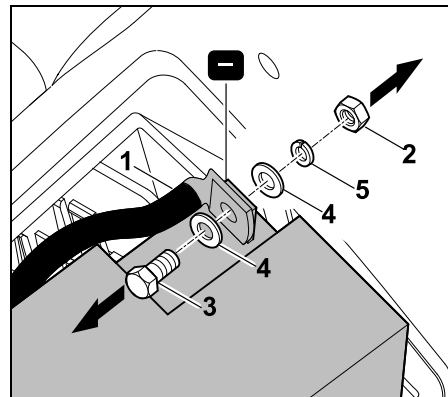
- Stop the engine. (⇒ 13.3)
- Engage the parking brake. (⇒ 8.14)
- Remove the ignition key and keep it in a safe place.
- Open the battery compartment. (⇒ 15.18)

## Installation position:

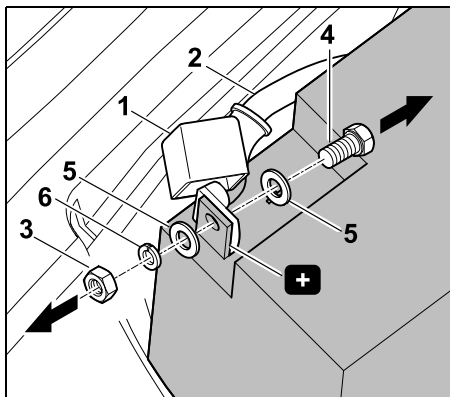


To connect or disconnect the battery (1), pull it halfway out of the battery compartment and tilt sideways. Then guide the battery downwards once more and set down – check for secure position.

## Disconnecting the battery:



Disconnect black cable (1) from the battery negative (-) terminal by unscrewing nut (2) using two A/F 8 spanners and removing together with bolt (3), washers (4) and spring washer (5).



Detach cap (1). Disconnect red cable (2) from the battery positive (+) terminal by unscrewing nut (3) using two A/F 8 spanners and removing together with bolt (4), washers (5) and spring washer (6).

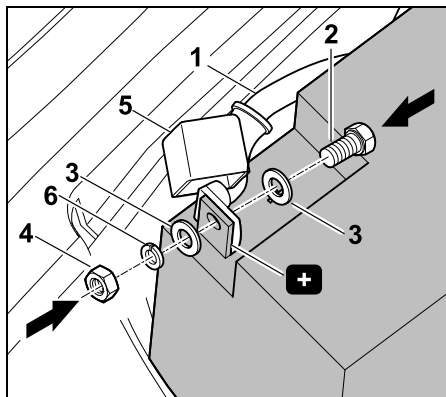
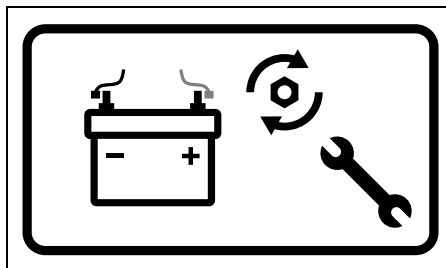
- Remove the battery if necessary.
- Attach the bolts, washers and nuts to the battery terminals for safe keeping.
- If necessary, stow the connection cables in the battery compartment and close the battery compartment. (⇒ 15.18)

#### Connecting the battery:

**i** Check the charge state of the battery before installing it. If the voltage is lower than **11.5 V**, recharge the battery using a suitable battery charger before installation.

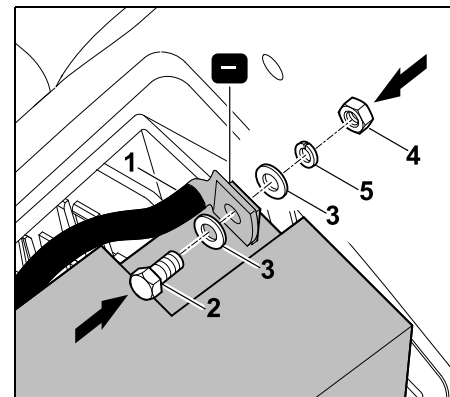
- Move the battery into the assembly position.
- If necessary, remove the bolts, washers and nuts from the battery.

**!** Fire hazard!  
Always observe the specified torque. Make sure that the bolt connections at the terminals are always tightened to avoid damage due to sparking.



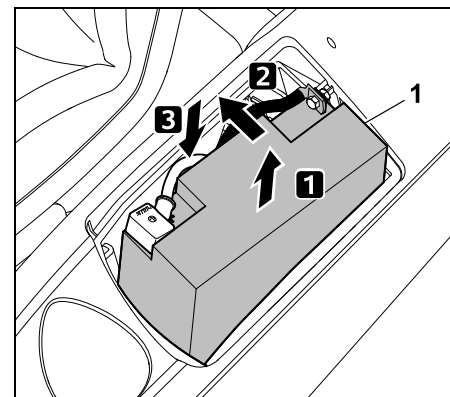
Attach red cable (1) to the battery positive (+) terminal using bolt (2), washers (3), spring washer (6) and nut (4).

Tighten the bolt connection to **6 - 8 Nm** using two wrenches A/F 8. Fit cap (5) to completely cover the bolt connection.



Attach black cable (1) to the battery negative (-) terminal using bolt (2), washers (3), spring washer (5) and nut (4).

Tighten the bolt connection to **6 - 8 Nm** using two wrenches A/F 8.



Lift the battery (1) and tilt inwards slightly. Carefully insert the battery, making sure that the two connection cables are properly stowed in the battery compartment.

- Close the battery compartment. (⇒ 15.18)

## 15.20 Fuses



### Fire hazard!

Never bypass the fuses with wire or foil.

Never use a fuse with a value that differs from the specified rating (amperes).



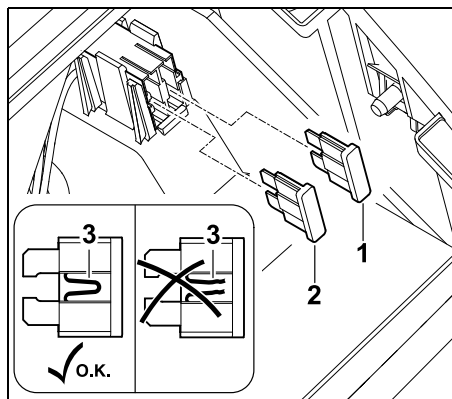
If a new fuse blows within a short time, an electrical fault (e.g. short circuit) is the probable cause.

We recommend that you consult a specialist dealer. STIHL recommends STIHL specialist dealers.

### Checking the plug-in fuses:

The plug-in fuses are located in the battery compartment.

- Stop the engine. (⇒ 13.3)
- Engage the parking brake. (⇒ 8.14)
- Remove the ignition key and keep it in a safe place.
- Open the battery compartment. (⇒ 15.18)



Remove the plug-in fuses (1,2). Visually check whether the wire (3) in the plastic is damaged (burnt through). Replace damaged fuses.

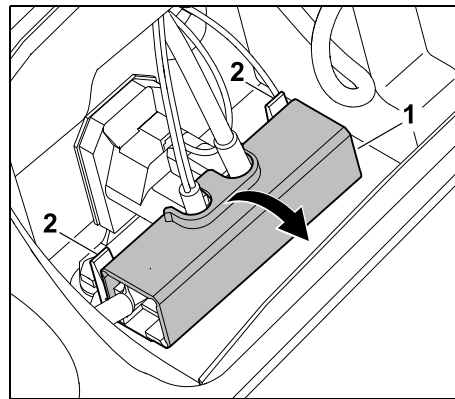
**Charging device (1): 15 A**  
**Electrics (2): 10 A**

- Close the battery compartment. (⇒ 15.18)

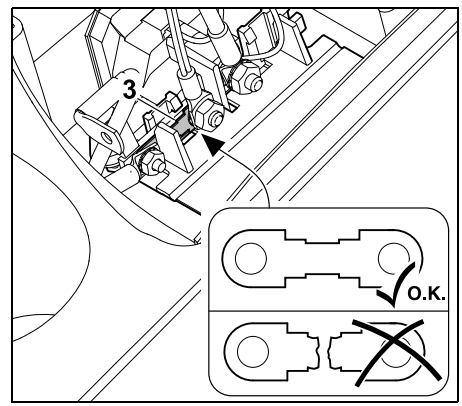
### Checking the main fuse:

The main fuse (150 amps) is located behind the battery.

- Remove the battery. (⇒ 15.19)



Open the cover (1) by lightly pressing the tabs (2) to the rear.



Visually check whether the fuse (3) is damaged (blown). If necessary have the fuse (3) replaced by a specialist dealer. STIHL recommends STIHL specialist dealers.

- Close the cover again.
- Install the battery. (⇒ 15.19)

## 15.21 Charging the battery using the charger plug

The STIHL ACB 010 battery float charger or the STIHL ADL 012 diagnostic charger (neither included in standard equipment) can be connected.

Only float charging can be performed with the STIHL ACB 010 battery float charger. Both float charging and full charging (charging an empty battery) can be performed with the ADL 012 diagnostic charger.



### **Avoid damage to the machine!**

Never charge the battery when the engine is running.

Only the STIHL ACB 010 battery float charger or the STIHL ADL 012 diagnostic charger may be connected to the charger plug.

Other chargers, particularly those with a higher charging current, can damage the machine.

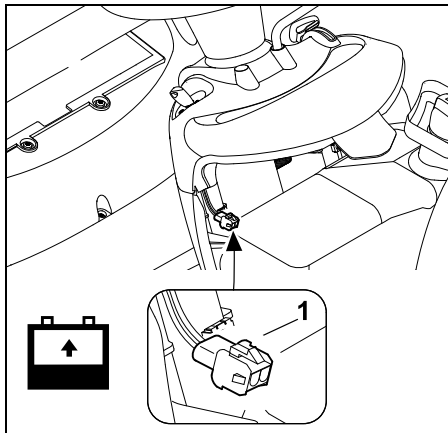
In order to charge the battery using another chargers, it must first be removed.

#### **Before connecting:**

- Read and observe the information in the instruction manuals for the STIHL chargers.
- Read and observe the instructions in the battery supplementary sheet.

#### **Connecting:**

- Stop the engine. (⇒ 13.3)
- Engage the parking brake. (⇒ 8.14)
- Open the engine hood. (⇒ 15.3)



Only connect the STIHL ACB 010 battery float charger or the STIHL ADL 012 diagnostic charger to the charger plug (1).

#### **15.22 Replacing headlamp bulbs**

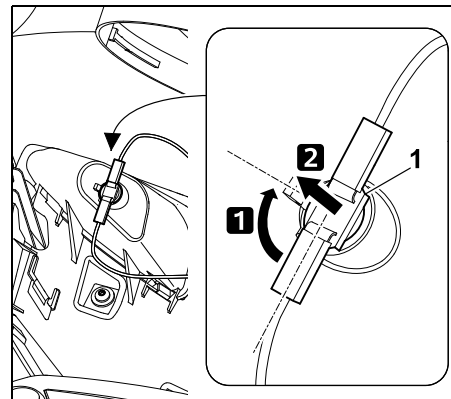


When replacing defective lamp bulbs, always use 12V bulbs rated at 6W.

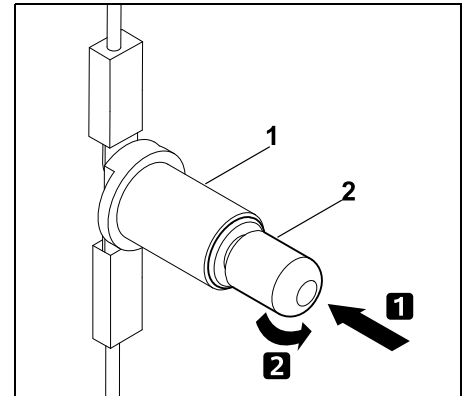
#### **Bulb designation:**

12V 6W BA9s

- Open the engine hood. (⇒ 15.3).

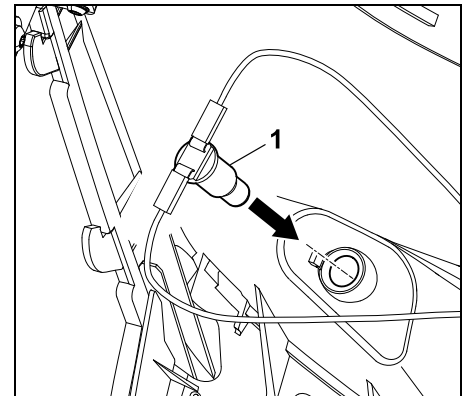


Turn the socket (1) through approx. 90° and it pull out.



Press the bulb (2) in the direction of the socket (1) and hold. Carefully turn the bulb (2) and remove.

- Install the bulb in reverse order.



Push the socket (1) into the headlamp housing.

- Close the engine hood. (⇒ 15.4)

#### **15.23 Combustion engine**

Observe the operating and maintenance instructions contained in the attached engine instruction manual.



To achieve a long service life, it is always particularly important to maintain a sufficient level of oil and to change the engine oil and air filter regularly.

---

### 15.24 Gearbox

For the user, the gearbox is maintenance-free.

During the inspections of the machine by the specialist dealer, the required maintenance operations are performed on the gearbox.

---

### 15.25 Storage

- Store the machine in a dry and dust-free room out of reach of children and unauthorised persons.
- Any machine faults must be remedied prior to storage in order to maintain a safe operating condition.
- Close the fuel cock. (⇒ 15.7)
- Remove the ignition key and keep in a place where no unauthorised persons, especially children, can access it.

---

### 15.26 Extended periods of inoperation (e.g. winter break)

- Clean the entire machine fully. In particular, also carefully clean all external parts of the engine and gearbox (especially the cooling ribs).
- Thoroughly lubricate/grease all moving parts.
- Remove the fuel from the fuel tank and carburettor (e.g. by running empty).
- Engage the parking brake. (⇒ 8.14)

- Observe the information on immobilisation in the engine instruction manual.
- Perform an engine oil change (engine instruction manual). (⇒ 15.9)
- Remove the battery. (⇒ 15.19)
- Store the fully charged battery safely in a cool and dry room out of reach of children.

---

### 15.27 Following storage for extended periods (e.g. over winter)

- Check the battery voltage before installing the battery. If the battery voltage is lower than **11.5 V**, fully recharge the battery using a battery charger before installation. (⇒ 15.21)
- Install the battery. (⇒ 15.19)
- Check the tyre pressures. (⇒ 15.16)
- Open the fuel cock. (⇒ 15.7)
- Fill the fuel tank. (⇒ 13.1)
- Check the engine oil filling level. (⇒ 15.8)

## 16. Transport



### Risk of injury!

Before transporting, carefully read and observe the section "For your safety", in particular the subsection "Transporting the ride-on mower". (⇒ 4.1), (⇒ 4.3)

Drive slowly and with particular caution on loading ramps, ensuring that the wheels do not drive over the edges of the loading ramps – **danger of falling!**

Do not change speed or direction abruptly.



On public roads, the machine may only be transported by means of a suitable vehicle or trailer. **Do not tow!**

- Before loading, select the highest cutting level. (⇒ 13.6)
- Support the trailer at the front so that it cannot tilt up due to the weight of the machine.
- Use a suitable lifter or suitable and stable loading ramps of sufficient width for loading the machine.
- Position the loading ramps safely and secure – observe the wheel base and track width of the ride-on mower. (⇒ 22.1)
- Ensure an even distribution of the load on trailers.
- After loading, select the lowest cutting level. (⇒ 13.6)
- Stop the engine. (⇒ 13.3)
- Push the machine fully forward until the bumper contacts the front wall of the trailer or vehicle.

- Engage the parking brake. (⇒ 8.14)
- Close the fuel cock. (⇒ 15.7)
- Fasten the front bumper of the machine to the front wall of the trailer or vehicle using suitable fastening material (straps, ropes, etc.), apply forward tension and secure.
- Place additional wedges (not included in standard equipment) at the wheels to prevent the machine from inadvertently rolling away.

## 17. Standard spare parts

Blade fastening screw:  
9010 345 2430

Spring washer:  
0000 702 6600

### RT 5097:

Mowing blade, right:  
6160 702 0115  
Mowing blade, left:  
6160 702 0110

### RT 5097 Z:

Mowing blade, right:  
6160 702 0105  
Mowing blade, left:  
6160 702 0100

### RT 5112 Z, RT 6112 ZL:

Mowing blade, right:  
6170 702 0135  
Mowing blade, left:  
6170 702 0130

### RT 6127 ZL:

Mowing blade, right:  
6170 702 0145  
Mowing blade, left:  
6170 702 0140



Replace the spring washer each time the blade is installed and the blade fastening screw each time the blade is replaced. Spare parts are available from a STIHL specialist dealer.

## 18. Accessories

Additional accessories are available for the machine. Further information is available from your STIHL specialist dealer, on the internet ([www.stihl.com](http://www.stihl.com)) or in the STIHL catalogue.



For safety reasons, only accessories approved by STIHL may be used with the machine.

## 19. Environmental protection

Lawn clippings should be composted and not disposed of in household waste.

The machine, its packaging and accessories are all produced from recyclable materials and must be disposed of accordingly.



By disposing of materials separately and in an environmentally friendly manner, recyclable waste can be re-used. For this reason, the machine should be disposed of for recycling at the end of its useful life. Improper disposal may be harmful to health and pollute the environment.

Waste products such as used oil (engine oil, gearbox oil), fuel and batteries must always be disposed of properly. Observe local regulations.

Remove the battery before disposing of the machine.

Do not dispose of the battery with domestic waste, but hand it in to a specialist dealer or at a hazardous waste collection point.

Consult your recycling centre or your specialist dealer for information on the proper disposal of waste products. STIHL recommends STIHL specialist dealers.

## 20. Minimising wear and preventing damage

### Important information on maintenance and care of the product group

#### lawn mower with driver's seat and combustion engine (STIHL RT)

STIHL assumes no liability for material or personal damage caused by the non-observance of information contained in the operating instructions, in particular with regard to safety, operation and maintenance, or which arise through the use of unauthorised attachment or spare parts.

Please always observe the following important information for the prevention of damage or excessive wear to your STIHL machine:

#### 1. Wearing parts

Some parts of the STIHL machine are subject to normal wear even when used properly and must be replaced in due time depending on type and duration of use.

These include:

- Mowing blades
- Grass catcher box
- V-belt
- Toothed belt

- Plug-in fuses
- Battery
- Tyres, rollers
- Spark plug

## 2. Compliance with the information in this instruction manual

The STIHL machine must be used, maintained and stored with the care described in this instruction manual. Any damage caused by non-compliance with the safety, operating and maintenance instructions is the sole responsibility of the user.

This applies in particular to:

- Improper use of the product.
- Use of fuel and lubricants not approved by STIHL (lubricants, petrol and engine oil, see engine manufacturer's specifications).
- Product modifications not approved by STIHL.
- Use of tools or accessories which are not approved or suitable for the machine, or are of inferior quality.
- Use of the product for sporting or competitive events.
- Resultant damage due to continued use of the product with defective components.

## 3. Maintenance operations

All operations listed in the section "Maintenance" must be performed regularly.

If these maintenance operations cannot be carried out by the user, a specialist dealer must be commissioned to perform them.

STIHL recommends that you have maintenance operations and repairs performed exclusively by a STIHL specialist dealer.

STIHL specialist dealers regularly attend training courses and are provided with technical information.

If these operations are neglected, faults may arise which are the responsibility of the user.

These include:

- Corrosive and other resultant damage caused by incorrect storage.
- Damage to the machine through the use of inferior-quality spare parts.
- Damage due to untimely or inadequate maintenance or damage due to maintenance or repair work not performed in the workshops of specialist dealers.

## 21. Declaration of conformity

### 21.1 EU declaration of conformity – STIHL RT 5097.1, RT 5097.1 Z, RT 5112.1 Z, RT 6112.1 ZL, RT 6127.1 ZL ride-on mower

STIHL Tirol GmbH  
Hans Peter Stihl-Strasse 5  
6336 Langkampfen  
Austria

declares under our sole responsibility that

- design: ride-on mower
- manufacturer's brand: STIHL
- type: RT 5097.1, RT 5097.1 Z, RT 5112.1 Z, RT 6112.1 ZL, RT 6127.1 ZL

- cutting width, RT 5097.1, RT 5097.1 Z: 95 cm
- cutting width, RT 5112.1 Z, RT 6112.1 ZL: 110 cm
- cutting width, RT 6127.1 ZL: 125 cm
- serial number:  
**RT 5097.1, RT 5097.1 Z, RT 5112.1 Z:** 6160  
**RT 6112.1 ZL, RT 6127.1 ZL:** 6170

complies with the relevant provisions of Directives 2000/14/EC, 2006/42/EC, 2014/30/EU and 2011/65/EU and has been developed and manufactured in accordance with the versions of the following standards valid on the date of manufacture: EN ISO 14982, EN ISO 5395-1 and EN ISO 5395-3.

Notified body involved:  
TÜV Rheinland LGA Products GmbH  
Tillystrasse 2  
90431 Nuremberg, Germany

The measured and guaranteed sound power levels were determined in accordance with Directive 2000/14/EC, Appendix VIII.

### RT 5097.1, RT 5097.1 Z

- Measured sound power level: 99,7 dB(A)
- Guaranteed sound power level: 100 dB(A)

### RT 5112.1 Z, RT 6112.1 ZL

- Measured sound power level: 99,8 dB(A)
- Guaranteed sound power level: 100 dB(A)

### RT 6127.1 ZL

- Measured sound power level: 104,5 dB(A)

- Guaranteed sound power level:  
105 dB(A)

The technical documents are stored at STIHL Tirol GmbH.

The year of manufacture and machine number are indicated on the ride-on mower.

Langkampfen, 02.06.2021

STIHL Tirol GmbH

p.p.



Matthias Fleischer, Head of Research and Development Division

p.p.



Sven Zimmermann, Head of Quality Division

---

**21.2 UKCA-Declaration of Conformity  
STIHL RT 5097.1, RT 5097.1 Z, RT  
5112.1 Z, RT 6112.1 ZL, RT 6127.1 ZL  
Ride-On Mower**

STIHL Tirol GmbH  
Hans Peter Stihl-Strasse 5  
6336 Langkampfen  
Austria

declares under our sole responsibility that

- design: ride-on mower
- manufacturer's brand: STIHL

- type: RT 5097.1, RT 5097.1 Z, RT 5112.1 Z, RT 6112.1 ZL, RT 6127.1 ZL
- cutting width RT 5097.1, RT 5097.1 Z: 95 cm
- cutting width RT 5112.1 Z, RT 6112.1 ZL: 110 cm
- cutting width RT 6127.1 ZL: 125 cm
- serial number:  
**RT 5097.1, RT 5097.1 Z, RT 5112.1 Z:** 6160  
**RT 6112.1 ZL, RT 6127.1 ZL:** 6170

complies with the relevant provisions of UK Regulations Noise Emission in the Environment by Equipment for use Outdoors Regulations 2001, Supply of Machinery (Safety) Regulations 2008, Electromagnetic Compatibility Regulations 2016 and The Restriction of the Use of Certain Hazardous Substances in Electrical and Electronic Equipment Regulations 2012 and has been developed and manufactured in accordance with the versions of the following standards valid on the date of manufacture: EN ISO 14982, EN ISO 5395-1 and EN ISO 5395-3.

The measured and guaranteed sound power levels were determined in accordance with the Noise Emission in the Environment by Equipment for use Outdoors Regulations 2001, Schedule 11.

Approved Body involved:  
TUV Rheinland UK LTD  
1011 Stratford Road  
Solihull, B90 4BN

**RT 5097.1, RT 5097.1 Z**

- Measured sound power level: 99,7 dB(A)
- Guaranteed sound power level: 100 dB(A)

**RT 5112.1 Z, RT 6112.1 ZL**

- Measured sound power level: 99,8 dB(A)
- Guaranteed sound power level: 100 dB(A)

**RT 6127.1 ZL**

- Measured sound power level: 104,5 dB(A)
- Guaranteed sound power level: 105 dB(A)

The technical documents are stored at STIHL Tirol GmbH.

The year of manufacture and machine number are indicated on the ride-on mower.

Langkampfen, 01.07.2022

STIHL Tirol GmbH

p.p.



Matthias Fleischer, Vice President Product Development

p.p.



Sven Zimmermann, Director Quality Management

## 22. Technical specifications

### RT 5097.1, RT 5097.1 Z, RT 5112.1 Z, RT 6112.1 ZL, RT 6127.1 ZL:

Engine, design	4-stroke combustion engine
Fuel tank	9 l
Starter	Electric start/ignition key
Battery type	Lead/gel
– Rated voltage	12 V
Cutting tool	2 cutter bars
Tightening torque for blade fastening screws	65 - 70 Nm
Self-propulsion, rear wheels	Infinitely variable forward/ininitely variable reverse

### RT 5097.1:

Serial number	6160
Engine type	EVC 4000
Displacement	452 ccm
Nominal output at nominal speed	8,2 - 2700 kW - rpm
Output speed	2700 rpm
Cutting width	95 cm
Cutter bar drive	Asynchronous
Cutting height	8 settings 30 - 100 mm
Wheel dimensions (front), tyre pressure	15x6.00-6, 0,8 - 1,0 bar
Wheel dimensions (rear), tyre pressure	18x8.50-8, 0,6 - 0,8 bar
Grass catcher box capacity	250 l

### RT 5097.1:

Weight with mowing deck and empty grass catcher box	228 kg
Measurement in accordance with 2000/14/EC / S.I. 2001/1701:	
Guaranteed sound power level $L_{WA}$	100 dB(A)
Uncertainty $K_{WA}$	0,7 dB(A)
Measurement in accordance with EN ISO 5395-3:	
Sound pressure level at workplace $L_{pA}$	86 dB(A)
Uncertainty $K_{pA}$	2 dB(A)
Measurement in accordance with EN ISO 5395-3, EN 1032:	
Vibration at seat (whole-body acceleration) $a_w$	0,98 m/s <sup>2</sup>
Uncertainty $K_w$	0,49 m/s <sup>2</sup>
Measurement in accordance with EN ISO 5395-3, EN 20643:	
Vibration at steering wheel $a_{hw}$	2,60 m/s <sup>2</sup>
Uncertainty $K_{hw}$	1,30 m/s <sup>2</sup>
Specified vibration characteristic in accordance with EN 12096	

### RT 5097.1 Z:

Serial number	6160
Engine type	EVC 7000
Displacement	635 ccm
Nominal output at nominal speed	8,2 - 2700 kW - rpm
Output speed	2700 rpm
Cutting width	95 cm
Cutter bar drive	Asynchronous
Cutting height	8 settings 30 - 100 mm

### RT 5097.1 Z:

Wheel dimensions (front), tyre pressure	15x6.00-6, 0,8 - 1,0 bar
Wheel dimensions (rear), tyre pressure	18x8.50-8, 0,6 - 0,8 bar
Grass catcher box capacity	250 l
Weight with mowing deck and empty grass catcher box	237 kg
Measurement in accordance with 2000/14/EC / S.I. 2001/1701:	
Guaranteed sound power level $L_{WA}$	100 dB(A)
Uncertainty $K_{WA}$	0,7 dB(A)
Measurement in accordance with EN ISO 5395-3:	
Sound pressure level at workplace $L_{pA}$	86 dB(A)
Uncertainty $K_{pA}$	2 dB(A)
Measurement in accordance with EN ISO 5395-3, EN 1032:	
Vibration at seat (whole-body acceleration) $a_w$	0,98 m/s <sup>2</sup>
Uncertainty $K_w$	0,49 m/s <sup>2</sup>
Measurement in accordance with EN ISO 5395-3, EN 20643:	
Vibration at steering wheel $a_{hw}$	2,20 m/s <sup>2</sup>
Uncertainty $K_{hw}$	1,10 m/s <sup>2</sup>
Specified vibration characteristic in accordance with EN 12096	
<b>RT 5112.1 Z:</b>	
Serial number	6160
Engine type	EVC 7000
Displacement	635 ccm
Nominal output at nominal speed	12,2 - 2700 kW - rpm

**RT 5112.1 Z:**

Output speed	2700 rpm
Cutting width	110 cm
Cutter bar drive	Synchronous
Cutting height	8 settings 30 - 100 mm

Wheel dimensions (front), tyre pressure	15x6.00-6, 0,8 - 1,0 bar
Wheel dimensions (rear), tyre pressure	18x8.50-8, 0,6 - 0,8 bar

Grass catcher box capacity	350 l
----------------------------	-------

Weight with mowing deck and empty grass catcher box	258 kg
---	--------

Measurement in accordance with 2000/14/EC / S.I. 2001/1701:

Guaranteed sound power level $L_{WA_d}$	100 dB(A)
Uncertainty $K_{WA}$	0,6 dB(A)

Measurement in accordance with EN ISO 5395-3:

Sound pressure level at workplace $L_{pA}$	86 dB(A)
Uncertainty $K_{pA}$	2 dB(A)

Measurement in accordance with EN ISO 5395-3, EN 1032:

Vibration at seat (whole-body acceleration) $a_w$	0,98 m/s <sup>2</sup>
Uncertainty $K_w$	0,49 m/s <sup>2</sup>

Measurement in accordance with EN ISO 5395-3, EN 20643:

Vibration at steering wheel $a_{hw}$	4,40 m/s <sup>2</sup>
Uncertainty $K_{hw}$	2,20 m/s <sup>2</sup>

Specified vibration characteristic in accordance with EN 12096

**RT 6112.1 ZL:**

Serial number	6170
Engine type	EVC 7000
Displacement	635 ccm
Nominal output at nominal speed	12,2 -2700 kW - rpm
Output speed	2700 rpm
Cutting width	110 cm
Cutter bar drive	Synchronous
Cutting height	8 settings 30 - 110 mm

Wheel dimensions (front), tyre pressure	16x7.50-8, 0,8 - 1,0 bar
Wheel dimensions (rear), tyre pressure	20x10.00-8, 0,6 - 0,8 bar

Grass catcher box capacity	350 l
----------------------------	-------

Weight with mowing deck and empty grass catcher box	268 kg
---	--------

Measurement in accordance with 2000/14/EC / S.I. 2001/1701:

Guaranteed sound power level $L_{WA_d}$	100 dB(A)
Uncertainty $K_{WA}$	0,6 dB(A)

Measurement in accordance with EN ISO 5395-3:

Sound pressure level at workplace $L_{pA}$	86 dB(A)
Uncertainty $K_{pA}$	2,0 dB(A)

Measurement in accordance with EN ISO 5395-3, EN 1032:

Vibration at seat (whole-body acceleration) $a_w$	0,5 m/s <sup>2</sup>
Uncertainty $K_w$	0,25 m/s <sup>2</sup>

Measurement in accordance with EN ISO 5395-3, EN 20643:

**RT 6112.1 ZL:**

Vibration at steering wheel $a_{hw}$	4,40 m/s <sup>2</sup>
Uncertainty $K_{hw}$	2,20 m/s <sup>2</sup>

Specified vibration characteristic in accordance with EN 12096

**RT 6127.1 ZL:**

Serial number	6170
Engine type	EVC 8000
Displacement	764 ccm
Nominal output at nominal speed	15,6 - 2950 kW - rpm
Output speed	2950 rpm
Cutting width	125 cm
Cutter bar drive	Synchronous
Cutting height	8 settings 30 - 110 mm

Wheel dimensions (front), tyre pressure	16x7.50-8, 0,8 - 1,0 bar
Wheel dimensions (rear), tyre pressure	20x10.00-8, 0,6 - 0,8 bar

Grass catcher box capacity	350 l
----------------------------	-------

Weight with mowing deck and empty grass catcher box	281 kg
---	--------

Measurement in accordance with 2000/14/EC / S.I. 2001/1701:

Guaranteed sound power level $L_{WA_d}$	105 dB(A)
Uncertainty $K_{WA}$	0,9 dB(A)

Measurement in accordance with EN ISO 5395-3:

Sound pressure level at workplace $L_{pA}$	90 dB(A)
Uncertainty $K_{pA}$	2,0 dB(A)

Measurement in accordance with EN ISO 5395-3, EN 1032:

**RT 6127.1 ZL:**

Vibration at seat  
(whole-body acceleration)  $a_w$

0,5 m/s<sup>2</sup>

Uncertainty  $K_w$

0,25 m/s<sup>2</sup>

Measurement in accordance with EN ISO  
5395-3, EN 20643:

Vibration at steering

wheel  $a_{hw}$

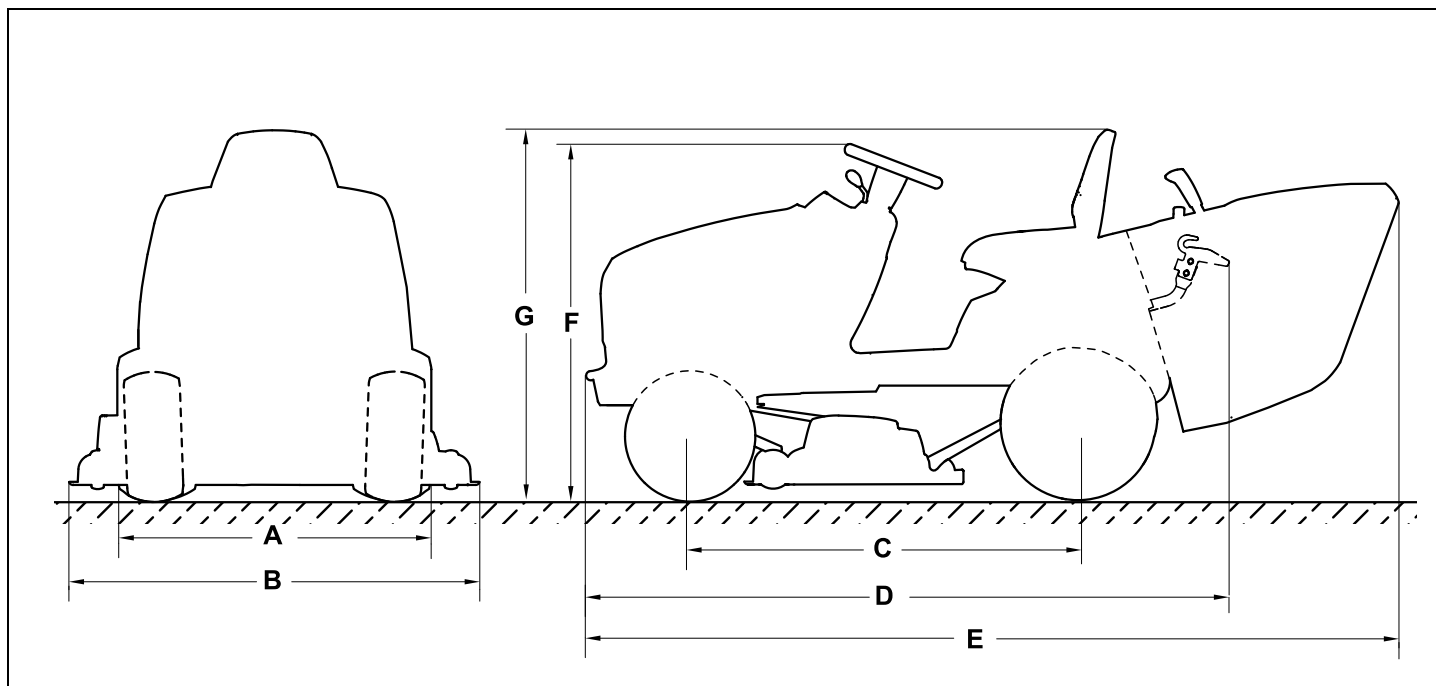
4,40 m/s<sup>2</sup>

Uncertainty  $K_{hw}$

2,20 m/s<sup>2</sup>

Specified vibration characteristic in  
accordance with EN 12096

## 22.1 Dimensions



RT 5097.1, RT 5097.1 Z, RT 5112.1 Z:  
**A**=96.8 cm

RT 6112.1 ZL, RT 6127.1 ZL:  
**A**=98.7 cm

RT 5097.1, RT 5097.1 Z:  
**B**=100.6 cm

RT 5112.1 Z, RT 6112.1 ZL:  
**B**=116.9 cm

RT 6127.1 ZL:  
**B**=131.8 cm

**C**=125 cm

**D**=206 cm

RT 5097.1, RT 5097.1 Z:  
**E**=241.6 cm

RT 5112.1 Z, RT 6112.1 ZL, RT 6127.1 ZL:  
**E**=260.3 cm

RT 5097.1, RT 5097.1 Z, RT 5112.1 Z:  
**F**=111 cm

RT 6112.1 ZL, RT 6127.1 ZL:  
**F**=113 cm

RT 5097.1, RT 5097.1 Z, RT 5112.1 Z:  
**G**=115 cm

RT 6112.1 ZL, RT 6127.1 ZL:  
**G**=117 cm

## 22.2 REACH

REACH is an EC Regulation for the registration, evaluation, authorisation and restriction of chemicals.

Information on compliance with the REACH Regulation (EC) No. 1907/2006 is available from [www.stihl.com/reach](http://www.stihl.com/reach).



## 23. Troubleshooting

- ✘ If necessary, contact a specialist dealer; STIHL recommends STIHL specialist dealers.

📖 See engine instruction manual.

### Fault:

Starter turns, engine does not start.

### Possible cause:

- Throttle lever set to MIN position.
- Choke position (throttle lever) not selected or choke knob not actuated.
- No fuel in tank.
- Fuel cock closed.
- Insufficient flow of fuel.
- Spark plug dirty or damaged.
- Incorrect electrode gap.
- Spark plug socket detached from spark plug.
- Engine flooded due to several starting attempts.
- Clogged air filter.
- Battery almost discharged.

### Remedy:

- Set the throttle lever to the MAX position.
- Set the throttle lever to the choke position (⇒ 8.2) or actuate the choke knob. (⇒ 8.4)
- Top up the fuel.
- Open the fuel cock. (⇒ 15.7)
- Check the fuel filter. (📖)
- Clean or replace the spark plug. (📖)
- Adjust the electrode gap. (✘)
- Connect the spark plug socket; check the connection between the ignition lead and socket. (✘)

- Remove the spark plug and dry; set the throttle lever to the MIN position and start several times with the spark plug removed; screw in the spark plug and connect the spark plug socket. (📖)
- Clean the air filter. (📖)
- Check the charge state of the battery and charge the battery if necessary. (⇒ 15.21)

### Fault:

Starter not functioning.

### Possible cause:

- The safety devices are blocking the starter.
- Battery not or incorrectly connected.
- Battery completely discharged or not sufficiently charged.
- Main fuse (150 A) defective.
- Faulty earth connection to engine or chassis.
- Starter defective.

### Remedy:

- Check all the safety devices. (⇒ 12.)
- Check battery connections. (⇒ 15.19)
- Charge the battery. (⇒ 15.21)
- Replace the main fuse. (✘)
- Check the connection cables at the battery and at the chassis. (✘)
- Repair the starter. (✘)

### Fault:

Starting problems or deteriorating engine power.

### Possible cause:

- Water in fuel tank and carburettor; carburettor is blocked.
- Contaminated fuel tank.
- The air filter is dirty.
- Dirty spark plug.

- Mowing grass which is too long or too wet.

### Remedy:

- Empty fuel tank, clean fuel tank, fuel line and carburettor. (✘)
- Clean fuel tank. (✘)
- Clean/replace air filter. (📖)
- Clean spark plug. (📖)
- Adapt cutting level and driving speed to the mowing conditions.

### Fault:

Engine overheating.

### Possible cause:

- Dirty cooling ribs.
- Engine oil level too low.
- V-belt worn.

### Remedy:

- Clean cooling ribs. (📖)
- Check the engine oil level and top up the engine oil if necessary. (⇒ 15.8)
- Replace the V-belt. (✘)

### Fault:

Machine does not drive.

### Possible cause:

- Gearbox disengaged.
- V-belt (gearbox) detached.
- V-belt (gearbox) worn or defective.
- Missing feather key between rear axle and rear wheels.

### Remedy:

- Engage the gearbox (freewheel lever). (⇒ 8.18)
- Fit V-belt (gearbox). (✘)
- Replace V-belt (gearbox). (✘)
- Install feather key. (⇒ 15.15)

---

**Fault:**

Excessive vibration during operation.

**Possible cause:**

- Mowing blades imbalanced due to incorrect sharpening or damage.
- Blade fastening screws not securely tightened.
- Engine mounting not securely tightened.
- V-belt or toothed belt damaged.

**Remedy:**

- Re-sharpen and balance or replace the mowing blades. (⇒ 15.13)
- Tighten the blade fastening screws, observing the tightening torque. (⇒ 15.13)
- Tighten the engine mounting. (✘)
- Replace the V-belt or toothed belt. (✘)

---

**Fault:**

Poor cut, lawn turns yellow after mowing.

**Possible cause:**

- Mowing blade blunt or worn.
- Driving speed too fast in relation to mowing conditions (cutting height, lawn condition).
- Maximum engine speed not set (throttle lever not in MAX position).
- Mowing deck adjustment not OK.
- Discharge chute blocked.
- Mowing deck soiled with grass residues (deposits on inside of mowing deck housing).

**Remedy:**

- Sharpen or replace the mowing blade (observe wear limits). (⇒ 15.13)
- Reduce the driving speed and select a higher cutting height.
- Set the throttle lever to the MAX position. (⇒ 8.2), (⇒ 8.3)

- Check the mowing deck adjustment and re-adjust the mowing deck if necessary. (⇒ 15.14)
- Remove the grass catcher box and free the discharge chute from grass residues.
- Clean the inside of the mowing deck.

---

**Fault:**

Discharge chute blocked.

**Possible cause:**

- Mowing blade wing worn or damaged.
- Mowing grass too long or too wet.
- Driving speed too fast in relation to set cutting height.
- Maximum engine speed not set (throttle lever not in MAX position).
- Level sensor adjusted incorrectly.

**Remedy:**

- Replace the mowing blade. (⇒ 15.13)
- Mow the lawn in two stages: 1. Mowing at the highest cutting level.  
2. Mowing at the desired cutting height.
- Reduce the driving speed and select a higher cutting height.
- Set the throttle lever to the MAX position. (⇒ 8.2), (⇒ 8.3)
- Adjust the level sensor (pull slide out fully). (⇒ 8.19)

---

**Fault:**

Grass catcher box not being completely filled.

**Possible cause:**

- Level sensor incorrectly adjusted.
- Cutting height set too low.
- Grass excessively damp and consequently too heavy to be transported through the discharge chute into the grass catcher box.
- Mowing blades blunt or worn.
- Grass too high.

- Air holes in grass catcher box blocked (no air flow in grass catcher box).
- Discharge chute or mowing deck (inside) soiled through deposited grass residues (residue from last mowing operation).

**Remedy:**

- Adjust the level sensor. (⇒ 8.19)
- Set a higher cutting height.
- Wait until the lawn is dry.
- Sharpen or replace the mowing blades. (⇒ 15.13)
- Mow the lawn in two stages: 1. Mowing at the highest cutting level.  
2. Mowing at the desired cutting height.
- Clean the grass catcher box (clean air holes).
- Clean the discharge chute or inside of the mowing deck.

---

**Fault:**

Level sensor (grass catcher box) does not respond properly.

**Possible cause:**

- Level sensor (grass catcher box) soiled through grass residues.
- Level sensor (grass catcher box) incorrectly adjusted.
- Driving speed too high.

**Remedy:**

- Clean the level sensor and check for ease of movement.
- Adjust level sensor (grass catcher box). (⇒ 8.19)
- Adapt driving speed to the mowing conditions (reduce driving speed).

**Fault:**

Mowing blades do not switch on / do not rotate.

**Possible cause:**

- The safety devices are preventing activation of the mowing blades.
- V-belt (mowing deck) worn, detached or defective.

**Remedy:**

- Check whether all the safety requirements for activation of the mowing blades are met. (⇒ 12.)
- Check V-belt (mowing deck) and replace if necessary. (✘)

**Fault:**

Engine cuts out when mowing deck is activated.

**Possible cause:**

- User not sitting or not properly positioned on driver's seat.
- Grass catcher box switch or discharge chute switch not pressed or faulty.
- Seat switch or associated wiring faulty.

**Remedy:**

- Sit on the driver's seat or change seat position.
- Install a grass catcher box or deflector (accessory), check that the ejection chute is seated correctly (⇒ 15.6), repair/replace switch or wiring. (✘)
- Repair/replace seat switch or wiring. (✘)

**Fault:**

Mowing deck disengaged when mowing in reverse driving direction.

**Possible cause:**

- Reverse mowing safety switch not pressed.

**Remedy:**

- Release the mowing blades within the time window (5 seconds before to 1 second after engaging the mowing deck or changing the driving direction). (⇒ 8.8)

**Fault:**

Engine cuts out when user leaves driver's seat.

**Possible cause:**

- Parking brake not engaged.
- Mowing deck engaged (safety device).

**Remedy:**

- Engage the parking brake before leaving the driver's seat. (⇒ 8.14)
- Disengage the mowing deck before leaving the driver's seat. (⇒ 8.5), (⇒ 8.6)

**Fault:**

Text ERROR flashes on display, three acoustic signals sound in quick succession.

**Possible cause:**

- Fault in seat switch or electrics (short circuit).

**Remedy:**

- Turn the ignition key to the "engine off" position, carry out self-diagnosis. (⇒ 9.1)

**Fault:**

Continuous tone sounding.

**Possible cause:**

- Grass catcher box full.
- Electronics fault.
- Battery connected with incorrect polarity.

**Remedy:**

- Disengage the mowing deck and empty the grass catcher box. (⇒ 13.9)
- Turn the ignition key to the "engine off" position, carry out self-diagnosis. (⇒ 9.1)
- Check the polarity of the battery connections, connect wiring correctly if necessary. (⇒ 15.19)

## 24. Service schedule

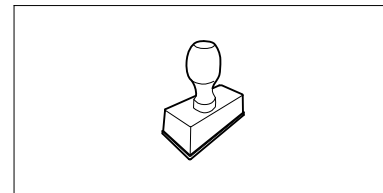
### 24.1 Handover confirmation

**Model:** \_\_\_\_\_

**Serial number:**

<input type="text"/>	<input type="text"/>	<input type="text"/>	<input type="text"/>	<input type="text"/>	<input type="text"/>	<input type="text"/>	<input type="text"/>	<input type="text"/>
----------------------	----------------------	----------------------	----------------------	----------------------	----------------------	----------------------	----------------------	----------------------

**Date:**   



Next service

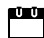
**Date:**


---

## 24.2 Service confirmation



Please hand this instruction manual to your STIHL specialist dealer in the case of maintenance operations. He will confirm the service operations performed in the pre-printed boxes.

 Service performed on

 Next service date

## Distinguido cliente:

Nos alegramos de que se haya decidido por STIHL. Desarrollamos y confeccionamos nuestros productos en primera calidad y con arreglo a las necesidades de nuestros clientes. De esta manera conseguimos elaborar productos altamente fiables incluso en condiciones de esfuerzo extremas.

STIHL también presta un Servicio Postventa de primera calidad. Nuestros comercios especializados garantizan un asesoramiento e instrucciones competentes, así como un amplio asesoramiento técnico.

Le agradecemos su confianza y le deseamos que disfrute de su producto STIHL.



Dr. Nikolas Stihl

**IMPORTANTE: LEER ANTES DE USAR Y GUARDAR.**

## 1. Índice

<b>Acerca de este manual de instrucciones</b>	<b>73</b>
Información general	73
Instrucciones para leer el manual	73
<b>Descripción del equipo</b>	<b>75</b>
Tractor cortacésped	75
Salpicadero	77
<b>Para su seguridad</b>	<b>78</b>
Información general	78
Formación: aprender el uso del equipo	79
Transporte del tractor cortacésped	79
Repostaje: manipulación de gasolina	80
Ropa y equipamiento de trabajo	80
Antes del trabajo	81
Durante el trabajo	81
Mantenimiento y reparaciones	85
Almacenamiento durante largos periodos de inactividad	87
Eliminación	87
<b>Descripción de los símbolos</b>	<b>87</b>
<b>Contenido del suministro</b>	<b>89</b>
<b>Tareas a realizar antes de la primera puesta en servicio</b>	<b>90</b>
<b>Elementos de mando</b>	<b>90</b>
Contacto de encendido con interruptor de luz	90
Acelerador con estárter (RT 5097)	90
Acelerador (RT 5097 Z, RT 5112 Z, RT 6112 ZL, RT 6127 ZL)	91
Botón del estárter (RT 5097 Z, RT 5112 Z, RT 6112 ZL, RT 6127 ZL)	91
Conmutador del equipo de corte (RT 5097, RT 5097 Z, RT 5112 Z)	92
Tecla del equipo de corte (RT 6112 ZL, RT 6127 ZL)	92
Tecla de control de velocidad (RT 6112 ZL, RT 6127 ZL)	93
Interruptor de seguridad para corte en marcha atrás	93
Palanca selectora de la dirección de marcha	94
Volante	94
Ajuste del asiento del conductor	94
Pedal de tracción	95
Pedal del freno	95
Freno de estacionamiento	95
Palanca de ajuste de la altura de corte	96
Palanca de vaciado del recogedor de hierba	97
Palanca de desbloqueo del recogedor de hierba	98
Palanca de (des)acoplamiento de la caja de cambios	98
Sensor de nivel de llenado (recogedor de hierba)	99
<b>Sistema electrónico</b>	<b>99</b>
Autodiagnóstico durante el arranque	99
Anomalía en el tractor cortacésped durante el servicio	100
Anomalía en el sistema electrónico	100
<b>Display RT 6112 ZL, RT 6127 ZL</b>	<b>100</b>
Pantalla de 5 dígitos	101
Tecla Set	101
Tecla Mode	101
Indicación de anomalías	101
Indicación de la información de funcionamiento	102
Indicación de las funciones activas	103

<b>Indicaciones para el trabajo</b>	<b>103</b>	Mantenimiento de las cuchillas	123	Confirmación de entrega	143
<b>Dispositivos de seguridad</b>	<b>104</b>	Verificar la posición de montaje del equipo de corte	126	Confirmación de servicio técnico	143
<b>Poner el equipo en servicio</b>	<b>105</b>	Cambiar las ruedas	126		
Repostar combustible	105	Presión de los neumáticos	128		
Arrancar el motor de combustión	106	Engrasar	128		
Apagar el motor de combustión	106	Abrir y cerrar el compartimento para la batería	128		
Desplazamiento	106	Desmontar y montar la batería	129		
Frenar	107	Fusibles	130		
Ajustar la altura de corte	107	Carga de la batería mediante el conector de carga	131		
Corte	108	Cambiar la lámpara del faro	132		
Programación del desacoplamiento automático del equipo de corte	108	Motor de combustión	132		
Vaciar el recogedor de hierba	109	Caja de cambios	132		
Retirar y enganchar el recogedor de hierba	110	Almacenamiento	133		
Remolcar cargas	111	Parada durante largos periodos de inactividad (por ejemplo, en invierno)	133		
Servicio en pendientes	111	Tras largos periodos de inactividad (p. ej. en invierno)	133		
<b>Equipo de corte</b>	<b>111</b>	<b>Transporte</b>	<b>133</b>		
Desmontar el equipo de corte	111	<b>Piezas de recambio habituales</b>	<b>134</b>		
Montar el equipo de corte	114	<b>Accesorios</b>	<b>134</b>		
<b>Mantenimiento</b>	<b>117</b>	<b>Protección del medio ambiente</b>	<b>134</b>		
Plan de mantenimiento	117	<b>Reducir el desgaste y prevenir daños</b>	<b>134</b>		
Limpiar el equipo	118	<b>Declaración de conformidad</b>	<b>135</b>		
Abrir el capó del motor	119	Declaración de conformidad de la UE para tractor cortacésped STIHL RT 5097.1, RT 5097.1 Z, RT 5112.1 Z, RT 6112.1 ZL, RT 6127.1 ZL	135		
Cerrar el capó del motor	119				
Desmontar el canal de expulsión	119	<b>Datos técnicos</b>	<b>136</b>		
Montar el canal de expulsión	120	Dimensiones	139		
Llave de paso de combustible	120	REACH	139		
Controlar el nivel de llenado de aceite de motor	120	<b>Localización de anomalías</b>	<b>140</b>		
Cambiar el aceite del motor	121	<b>Plan de mantenimiento</b>	<b>143</b>		
Rellenar aceite del motor	121				
Verificar los dispositivos de seguridad	122				
Limpiar el sensor de nivel de llenado (recogedor de hierba)	122				

## 2. Acerca de este manual de instrucciones

### 2.1 Información general

Este manual de instrucciones es **una traducción de las instrucciones de uso originales** del fabricante conforme a lo dispuesto en la Directiva 2006/42/EG.

STIHL desarrolla continuamente su gama de productos, por lo que nos reservamos el derecho de modificar los componentes suministrados en cuanto a forma, técnica y equipamiento.

Por consiguiente, las indicaciones e ilustraciones contenidas en este manual no constituyen compromiso contractual alguno.

Es posible que en este manual de instrucciones se describan modelos que no están disponibles en todos los países.

Este manual de instrucciones está protegido por derechos de autor. Quedan reservados todos los derechos, sobre todo el derecho a la reproducción, traducción y procesamiento con sistemas electrónicos.

### 2.2 Instrucciones para leer el manual

Las imágenes y los textos describen determinados pasos para el manejo del equipo.

Todos los símbolos que se encuentran en el equipo se explican en este manual de instrucciones.

### Perspectiva:

Perspectiva "izquierda" y "derecha" del manual durante la utilización: con el usuario situado detrás del equipo y mirando en la dirección de desplazamiento hacia delante.

### Referencias a capítulos:

Se hace referencia a los capítulos y subcapítulos correspondientes que contienen más información con una flecha. El siguiente ejemplo muestra una referencia a un capítulo: (⇒ 4.)

### Identificación de párrafos de texto:

Las instrucciones descritas pueden identificarse como en los siguientes ejemplos.

Pasos de manejo del equipo que requieren la intervención del usuario:

- Afloje el tornillo (1) con un destornillador, accione la palanca (2) ...

Enumeraciones generales:

- Utilización del producto en eventos deportivos o en campeonatos

### Texto con significado adicional:

Los fragmentos de texto con un significado adicional tienen asignados uno de los símbolos descritos a continuación para destacarlos en el manual de instrucciones.



### ¡Peligro!

Riesgo de accidente y de sufrir lesiones personales graves. Es necesario evitar hacer algo o atenerse a un comportamiento determinado.



### ¡Advertencia!

Peligro de lesiones personales. Es necesario atenerse a un comportamiento determinado para evitar sufrir lesiones personales.



### ¡Atención!

Es posible evitar daños materiales o lesiones leves comportándose de una manera determinada.



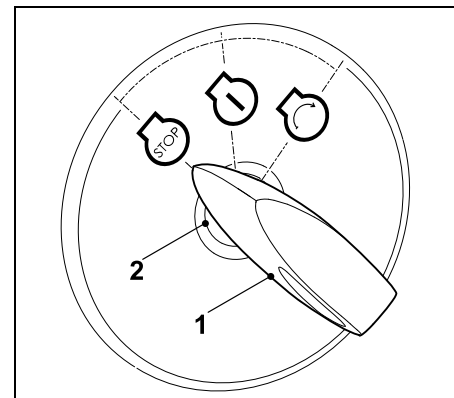
### Nota

Información relativa al uso óptimo del equipo evitando posibles manejos erróneos.

### Figuras con texto:

Los pasos de manejo en relación directa con las figuras los podrá encontrar inmediatamente a continuación de las mismas junto con las correspondientes cifras de posición de los componentes.

Ejemplo:



Introduzca la llave (1) en el contacto (2).

### Texto con relación a las ilustraciones:

Al inicio del manual de instrucciones se encuentran las ilustraciones explicativas del uso del equipo.

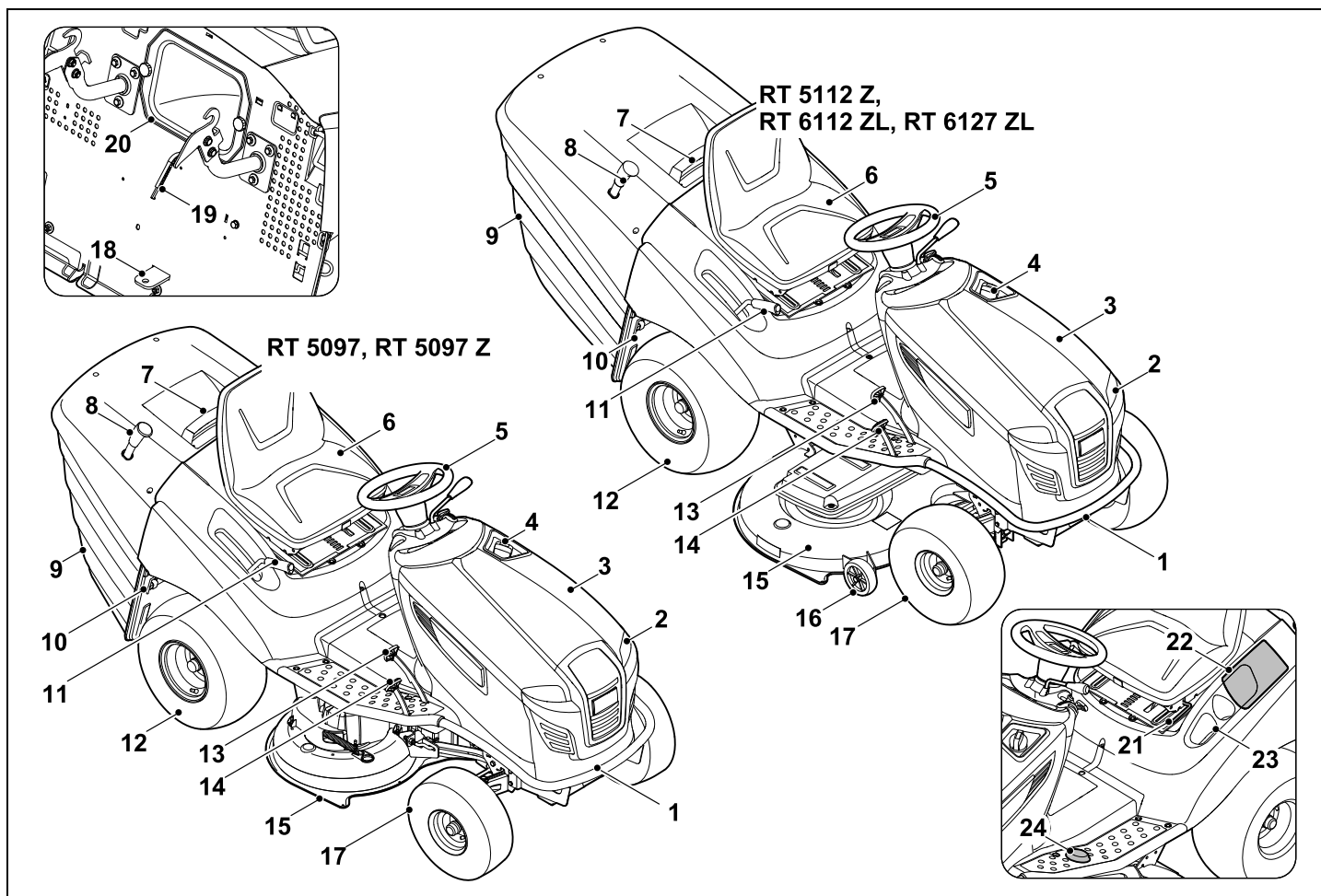
El símbolo de la cámara sirve para vincular las ilustraciones de las diferentes páginas con el texto correspondiente del manual.





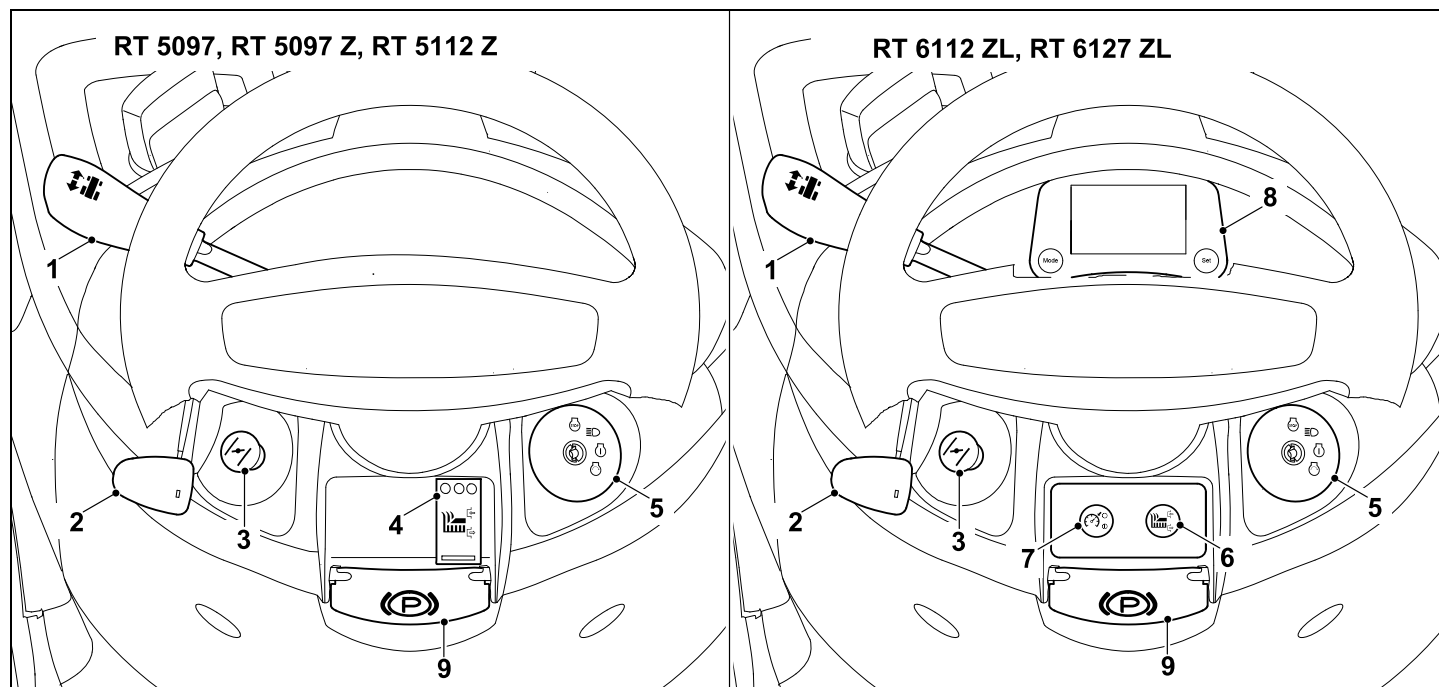
### 3. Descripción del equipo

#### 3.1 Tractor cortacésped



- 1 Parachoques
- 2 Faro
- 3 Capó del motor
- 4 Tapa del depósito de combustible
- 5 Volante
- 6 Asiento del conductor
- 7 Asa de sujeción con palanca de desbloqueo del recogedor de hierba
- 8 Palanca de vaciado del recogedor de hierba
- 9 Recogedor de hierba
- 10 Palanca de (des)acoplamiento de la caja de cambios
- 11 Palanca de ajuste de la altura de corte
- 12 Rueda trasera
- 13 Pedal del freno
- 14 Pedal de tracción (velocidad de marcha)
- 15 Equipo de corte
- 16 Ruedas palpadoras
- 17 Rueda delantera
- 18 Enganche para remolque
- 19 Sensor de nivel de llenado (recogedor de hierba)
- 20 Canal de expulsión
- 21 Palanca de regulación del asiento del conductor
- 22 Compartimento para la batería
- 23 Portavasos
- 24 Interruptor de seguridad para corte en marcha atrás

### 3.2 Salpicadero



- 1** Palanca selectora de la dirección de marcha (Adelante – Atrás) (⇒ 8.9)
- 2** Acelerador con función de estárter integrada (RT 5097) (⇒ 8.2)
- 2** Acelerador (RT 5097 Z, RT 5112 Z, RT 6112 ZL, RT 6127 ZL) (⇒ 8.3)
- 3** Botón del estárter (RT 5097 Z, RT 5112 Z, RT 6112.1 ZL, RT 6127.1 ZL) (⇒ 8.4)

- 4** Conmutador del equipo de corte (RT 5097, RT 5097 Z, RT 5112 Z) (⇒ 8.5)
- 5** Contacto de encendido con interruptor de luz (⇒ 8.1)
- 6** Tecla del equipo de corte (RT 6112 ZL, RT 6127 ZL) (⇒ 8.6)
- 7** Tecla de control de velocidad (RT 6112 ZL, RT 6127 ZL) (⇒ 8.7)
- 8** Display con teclas de control (RT 6112 ZL, RT 6127 ZL) (⇒ 10.)

- 9** Palanca del freno de estacionamiento (⇒ 8.14)

## 4. Para su seguridad

### 4.1 Información general



Al trabajar con el equipo, el cumplimiento de estas prescripciones preventivas de accidentes es imprescindible.



Antes de la primera puesta en servicio hay que leer atentamente el manual de instrucciones completo.

Conservar cuidadosamente el manual de instrucciones para su uso posterior.

Tenga en cuenta las indicaciones de utilización y mantenimiento, que puede consultar en el manual de instrucciones suministrado separadamente para el motor de combustión.

Estas medidas de precaución son una garantía para su seguridad. No obstante, esta enumeración no es concluyente. Utilice el equipo siempre con sentido común y de forma responsable y tenga en cuenta que el usuario es el responsable en caso de accidentes que afecten a terceras personas o a sus propiedades.



#### ¡Peligro de muerte por asfixia!

Peligro de asfixia para los niños al jugar con el material de embalaje. Mantener el material de embalaje fuera del alcance de los niños.

El equipo y todos sus componentes sólo pueden entregarse o prestarse a personas que estén familiarizadas con este modelo y su manejo. El manual de instrucciones es parte del equipo y debe entregarse siempre junto con el equipo.

Hay que cerciorarse de que el usuario esté capacitado en sentido corporal, sensorial y mental para manejar el equipo y trabajar con él. Si el usuario está capacitado para ello solo de forma limitada, podrá trabajar únicamente bajo supervisión o tras haber sido instruido por una persona responsable.

Hay que cerciorarse de que el usuario sea mayor de edad o esté recibiendo una formación profesional bajo supervisión, conforme a las disposiciones nacionales.

Sólo utilice el equipo descansado y en perfecto estado físico y psíquico. Si padece algún trastorno de salud, debería consultar con su médico para ver si puede trabajar con el equipo. No se deberá trabajar con el equipo después de tomar alcohol, drogas o medicamentos que afecten a la capacidad de reacción.

#### Atención: ¡peligro de accidente!

El tractor cortacésped está destinado únicamente para cortar césped y no se autoriza su utilización para otros fines.

El equipo puede equiparse con accesorios originales STIHL. Con ellos son posibles otras aplicaciones. Su Distribuidor especializado STIHL le ofrecerá más información al respecto.

Para evitar que el usuario ponga en peligro su salud física o la de otras personas, el equipo no puede ser usado, por ejemplo (esta relación es orientativa):

- para cortar plantas trepadoras,
- para triturar y desmenuzar restos de árboles y setos,
- para la limpieza de caminos (aspiración, soplado),
- para eliminar la nieve con ayuda del equipo de corte,

- para cuidar el césped en terrazas y tejados,
- para nivelar elevaciones del terreno, como p. ej., toperas,
- para transportar los restos de material cortado, excepto en el recogedor de hierba previsto.

El equipo no está homologado para ser conducido por vías públicas.

No está permitido transportar personas (especialmente niños) ni animales.

No ponerse nunca de pie sobre el equipo de corte, especialmente sobre las ruedas palpadoras.

Con el equipo solo pueden transportarse objetos con ayuda de un remolque (accesorio) autorizado por STIHL. Deben respetarse los límites de peso. (⇒ 13.11)

Debe tenerse un especial cuidado al utilizar el equipo en zonas públicas, parques, instalaciones deportivas, vías públicas y en explotaciones agrícolas y forestales.

El equipo no puede utilizarse para eventos deportivos o competiciones.

Por motivos de seguridad se prohíbe toda modificación en el equipo (excepto el montaje correcto de accesorios y acoples autorizados por STIHL), y ello conlleva además la pérdida de los derechos de garantía. En su Distribuidor especializado STIHL encontrará más información sobre accesorios y acoples autorizados.

De manera particular, está prohibido realizar cualquier tipo de modificación en el equipo con el fin de aumentar la potencia, el régimen del motor de combustión o la velocidad de desplazamiento.

El equipo dispone de un sistema electrónico que no debe ser modificado ni desmontado.

Por motivos de seguridad, no se debe modificar ni manipular nunca el software del equipo.



**¡Atención! ¡Peligro para la salud por vibraciones!** Una carga excesiva por vibraciones puede provocar daños en el

sistema nervioso o circulatorio, especialmente en personas con problemas circulatorios. Consulte a un médico si aparecieran síntomas que pudieran deberse a cargas por vibraciones.

Esos síntomas, que se producen principalmente en dedos, manos o muñecas, son por ejemplo (relación orientativa):

- insensibilidad,
- dolores,
- debilidad muscular,
- decoloraciones de la piel,
- hormigueo desagradable.

Durante el funcionamiento, sujetar el manillar con firmeza, pero sin tensión, con ambas manos por los lugares previstos.

Programar el tiempo de trabajo de modo que se eviten cargas elevadas en un periodo de tiempo grande.

---

## 4.2 Formación: aprender el uso del equipo

Familiarícese con los mandos y las piezas de ajuste así como con el uso del equipo. De manera particular, el usuario debe

saber cómo detener rápidamente la herramienta de trabajo y el motor de combustión del equipo.

El equipo solo debe ser utilizado por personas que hayan leído el manual de instrucciones y estén familiarizadas con su manejo. Antes de la primera puesta en servicio, el usuario debe preocuparse de recibir indicaciones técnicas y prácticas de personas especializadas. El vendedor u otro experto debe aclarar al usuario cómo debe utilizarse el equipo con seguridad.

En esta instrucción, se debería poner en conocimiento del usuario

- que para trabajar con el equipo son necesarias una atención y una concentración máximas.
- que un tractor cortacésped que resbala por una pendiente no puede controlarse accionando el freno.

Las causas fundamentales para la pérdida del control del tractor cortacésped pueden ser, entre otras:

- un agarre insuficiente de las ruedas,
- un desplazamiento a velocidad excesiva,
- frenar de forma no adecuada,
- un empleo no adecuado (en competiciones deportivas, etc.),
- un desconocimiento de los efectos que guardan relación con las condiciones del terreno, especialmente en pendientes (consulte en el capítulo "Para su seguridad" el apartado "Trabajar en pendientes"),
- un enganche incorrecto de cargas y una distribución irregular de las mismas.

Aun cuando utilice el equipo conforme a las normas, siempre persisten algunos riesgos.

---

## 4.3 Transporte del tractor cortacésped

Debido a su propio peso, el tractor cortacésped puede causar lesiones graves por aplastamiento. Al cargar y descargar el tractor cortacésped para su transporte en un vehículo o remolque debe procederse con especial precaución.

Este tractor cortacésped no debe arrastrarse. Para su transporte por vías públicas debe emplearse un vehículo o un remolque adecuado.

Para el transporte en una superficie de carga, el tractor cortacésped debe fijarse tal como se describe en este Manual de instrucciones. Accionar siempre el freno de estacionamiento. (⇒ 16.)

Antes del transporte desacoplar el accionamiento de la cuchilla o de los acoples.

Para el transporte del equipo observe las normativas legales regionales, en especial las que atañen al aseguramiento de la carga y al transporte de objetos en superficies de carga.

Después de cargarlo y antes de transportarlo, hay que dejar que el equipo se enfríe por completo, en particular el motor de combustión y el silenciador. Durante el transporte hay que mantener la superficie de carga y la zona alrededor del silenciador y del motor de combustión libre de materiales inflamables como paja, hojas o restos de hierba seca.

#### 4.4 Repostaje: manipulación de gasolina

##### ¡Peligro de muerte!

La gasolina es tóxica y altamente inflamable.

Los combustibles sólo deben almacenarse en los recipientes (bidones) previstos y homologados para ello. Los tapones de los depósitos deben enroscarse y apretarse siempre de manera correcta. Los dispositivos de cierre defectuosos deben ser sustituidos por motivos de seguridad.



Mantener alejada la gasolina de chispas, llamas abiertas, llamas permanentes, fuentes de calor y otros focos de ignición. ¡No

fumar!

Llene el depósito siempre al aire libre y no fume nunca durante el repostaje.

Antes de repostar apague el motor de combustión y déjelo enfriar.

La gasolina debe repostarse antes de arrancar el motor de combustión. No abrir el tapón del depósito ni repostar gasolina con el motor de combustión en marcha o con la máquina caliente.

Abrir el tapón del depósito lentamente y con precaución. Esperar a la compensación de presión y sólo entonces retirar completamente el tapón del depósito.

Para el repostaje, utilizar un embudo o tubo de llenado adecuado para evitar que se derrame combustible sobre el motor de combustión, la carcasa o el césped.

##### **¡No sobrellenar el depósito de combustible!**

No llenar el depósito de combustible jamás hasta por encima del borde inferior de la boca de llenado, para que el combustible tenga espacio para expandirse.

Observar también las indicaciones del manual de instrucciones del motor de combustión.

Si se ha derramado gasolina, limpie primero la superficie manchada antes de arrancar el motor de combustión. No intente arrancar el equipo hasta que se hayan disipado los vapores de gasolina (seque el líquido con un paño).

El combustible derramado debe limpiarse siempre.

Debe cambiarse si su ropa resulta manchada de combustible.

El tapón del depósito debe enroscarse y fijarse correctamente tras cada repostaje. El equipo no debe ponerse en funcionamiento sin la tapa original del depósito enroscada.

Por motivos de seguridad se deben revisar regularmente la conducción, el depósito, el cierre del depósito y las conexiones del sistema de combustible respecto a posibles daños, envejecimiento (fragilidad), fijación correcta y fugas, y en caso necesario debe encargarse la sustitución de los componentes a un establecimiento especializado; STIHL recomienda los distribuidores especializados STIHL.

Si hay que vaciar el depósito, hágalo al aire libre.

Nunca utilice botellas de bebidas ni recipientes similares para eliminar o almacenar materiales necesarios para la



producción, como p. ej., combustible. Alguien podría ser inducido a beber de dichos recipientes, especialmente niños.

No guarde nunca una máquina con gasolina en el depósito dentro de un edificio. Los vapores de gasolina que se forman se pueden inflamar al entrar en contacto con fuego o chispas.

No coloque el equipo ni recipientes con combustible cerca de aparatos calefactores, radiadores, equipos de soldadura ni otras fuentes de calor.

##### **¡Peligro de explosión!**

#### 4.5 Ropa y equipamiento de trabajo



Durante el trabajo debe llevarse siempre un calzado resistente con suela antideslizante. Nunca trabaje descalzo o, por ejemplo, con sandalias.

El aparato sólo puede ponerse en funcionamiento con pantalones largos y ropa ceñida.

Nunca lleve puesta ropa holgada que pudiera quedar enganchada en los componentes móviles (palancas de mando); tampoco lleve joyas o bisutería, corbatas o bufandas.



En los trabajos de mantenimiento y limpieza y en el transporte del equipo deben llevarse siempre guantes y debe recogerse y protegerse el pelo largo (pañuelo, gorro, etc.).



Para afilar la cuchilla deben llevarse puestas gafas de protección adecuadas.



Durante el trabajo se genera ruido. El ruido puede dañar el oído.

Utilizar una protección auditiva.

#### 4.6 Antes del trabajo

Debe garantizarse que sólo trabajen con el equipo personas que conocen el manual de instrucciones.

Antes de poner en servicio el equipo hay que comprobar la estanqueidad del sistema de combustible, especialmente sus partes visibles, como p. ej. el depósito, el tapón del depósito y las uniones de mangueras. Si se constata alguna fuga o daño no se debe poner en marcha el motor de combustión – **¡Peligro de incendio!**

Encargar la reparación del equipo a un establecimiento especializado antes de ponerlo en servicio.

Respete las normas locales para los horarios de trabajo de equipos de jardinería con motor de combustión o motor eléctrico.

Comprobar siempre la totalidad del terreno en el que se vaya a utilizar la máquina, retirando todas las piedras, palos, alambres, juguetes y otros objetos extraños que pudieran ser proyectados hacia arriba por la máquina. Los obstáculos (p. ej., tocones, raíces) pueden ser difíciles de detectar con hierba alta.

Por esta razón, antes de trabajar con la máquina hay que marcar todos los objetos extraños (obstáculos) ocultos en el césped que no se pueden retirar.

Antes de utilizar la máquina deben sustituirse las piezas defectuosas, desgastadas y dañadas. Deberán

sustituirse las indicaciones de peligro y advertencia de la máquina que sean ilegibles o estén dañadas. Su distribuidor especializado STIHL tiene a su disposición adhesivos de repuesto y todas las demás piezas de recambio.



#### ¡Peligro de lesiones!

Las piezas desgastadas o dañadas (p. ej., cuchillas desafiladas) pueden afectar a la seguridad de la máquina y causar lesiones al usuario.

Jamás utilice el equipo cuando los dispositivos de protección estén dañados o no estén montados.

Los mecanismos cargados por resorte pueden emitir energía almacenada. Los mecanismos cargados por resorte no deben estar dañados y deben funcionar.

El funcionamiento del freno debe comprobarse antes de cada puesta en servicio. (⇒ 13.5)

Antes de cada puesta en servicio debe controlarse lo siguiente:

- Que la herramienta de corte y toda la unidad de corte (cuchilla, embrague de cuchilla, freno de cuchilla, perno de fijación, carcasa del equipo de corte) se encuentren en perfecto estado. De manera particular, prestar atención a la correcta fijación, a los daños y al desgaste.
- Que el tapón del depósito esté atornillado de forma segura.
- Que el depósito, el tapón del depósito y las piezas por las que circula el combustible se encuentren en perfecto estado.

- Que los dispositivos de seguridad se encuentren en perfecto estado y funcionen correctamente.
- Que los neumáticos (presión del aire, daños, desgaste) y el chasis se encuentren en perfecto estado. Debe comprobarse el firme asiento de las uniones roscadas. De manera particular, deben realizarse todos los trabajos de mantenimiento que están indicados en el plan de mantenimiento en el apartado "Antes de cada puesta en marcha". (⇒ 15.1)

En caso de duda, póngase en contacto con un establecimiento especializado. STIHL recomienda los distribuidores especializados STIHL.

#### 4.7 Durante el trabajo



No cortar nunca el césped cuando haya personas (especialmente niños) o animales en las proximidades.

Prestar atención a que nunca se expulse hierba en dirección a otras personas.

No trabaje con el equipo en caso de lluvia, tormenta y sobre todo cuando haya peligro de rayos.

## Gases de escape:

### ¡Peligro de muerte por intoxicación!

En caso de sufrir malestar, dolor de cabeza, trastornos visuales (por ejemplo, reducción del campo visual), trastornos auditivos, mareos o pérdida de la capacidad de concentración, detenga inmediatamente el trabajo con el equipo. Estos síntomas pueden ser causados, entre otras razones, por elevadas concentraciones de gases de escape.



El equipo despidе gases tóxicos cuando el motor de combustión está en marcha. Estos gases contienen monóxido de carbono, un gas venenoso inodoro e incoloro, así como otras sustancias peligrosas. El motor de combustión nunca debe ponerse en marcha en recintos cerrados o mal ventilados.

### Arranque:

El equipo sólo debe arrancarse desde el asiento del conductor.

El equipo debe arrancarse en una superficie llana, no en pendientes.

El motor de combustión sólo puede arrancarse en una zona de trabajo bien ventilada. De manera particular en garajes, debe prestarse atención a que exista una ventilación suficiente.

Antes de arrancar el motor de combustión, desacople la herramienta de corte, los acoples y el accionamiento y pise a fondo el pedal del freno.

Al arrancarlo debe tenerse en cuenta que exista una distancia suficiente entre los pies y la herramienta de corte.

No arrancar jamás el motor de combustión cortocircuitando el borne del motor de arranque. Si se deriva el circuito normal del motor de arranque, el tractor cortacésped puede ponerse en marcha repentinamente.

No arrancar jamás el motor de combustión si se detecta olor a gasolina – **¡Peligro de explosión!**

### Uso de la máquina:



#### Atención: ¡Peligro de lesiones!

Tener en cuenta la zona de trabajo de la cuchilla. No poner nunca las manos o los pies al lado o debajo de elementos en rotación. No tocar nunca las cuchillas en rotación. Mantenerse siempre alejado de la abertura de expulsión. Debe mantenerse siempre una distancia de seguridad suficiente.



Trabaje sólo con luz diurna o buena luz artificial.

Al circular fuera del césped o cuando no se corte el césped, las cuchillas deben desacoplarse y el equipo de corte debe ajustarse en la altura de corte más alta.

Deben esquivarse los objetos ocultos en el césped (aspersores de riego automático, estacas, válvulas de agua, fundamentos, cables eléctricos, etc.). No pase nunca la máquina por encima de semejantes objetos.

Durante la marcha, el volante debería sujetarse siempre bien con ambas manos. Se debe tener especial precaución al desplazarse por el césped y otras superficies irregulares, ya que el volante podría girar por sí mismo en caso de que el equipo encuentre a su paso baches, agujeros, elevamientos del terreno,

obstáculos, etc.

### ¡Peligro de lesiones para manos y dedos!

Si se detecta durante el funcionamiento un defecto en el depósito de combustible, en el tapón del depósito o en los componentes del sistema de suministro de combustible (conducciones), se debe apagar el motor de combustión inmediatamente. Posteriormente hay que ponerse en contacto con un establecimiento especializado. STIHL recomienda los distribuidores especializados STIHL.

Tenga en cuenta la existencia de agujeros en el terreno y otros puntos peligrosos de difícil visibilidad. Los obstáculos pueden ser difíciles de detectar con hierba alta.

Conduzca siempre con una velocidad adecuada.

Utilizar la máquina con sumo cuidado al trabajar en las cercanías de pendientes, vertederos, bordes del terreno, zanjas y diques. Sobre todo hay que fijarse en estar a una distancia suficiente de tales puntos peligrosos.

Tenga especial cuidado con las zonas de baja visibilidad, como matorrales, árboles u otros obstáculos que puedan ocultar personas, especialmente niños, o animales.

Detenga inmediatamente el tractor cortacésped y desactive las cuchillas cuando entre alguien en la zona de trabajo.

Mantenga la vista siempre en la zona que se encuentra por delante del vehículo. Concéntrese en detectar los posibles obstáculos para poder evitarlos a tiempo.



Cuando trabaje formando parte de un grupo, siempre debe comunicar puntualmente a los demás participantes las tareas que tenga previsto realizar.  
¡Mantenga la distancia de seguridad!

Antes de cambiar de dirección se debe reducir la velocidad de desplazamiento de tal manera que pueda mantenerse en todo momento el control del equipo y que el tractor cortacésped no pueda volcar.

Al trabajar en las cercanías de calles y carreteras y al atravesar vías públicas debe tenerse en cuenta al resto de los participantes en el tráfico y a los viandantes.

Antes de iniciar la marcha atrás debe controlarse el área que se encuentra detrás del tractor cortacésped y desacoplar el acople que pudiera estar instalado. Solamente debe cortarse en marcha atrás si es absolutamente necesario. Al cortar en marcha atrás debe tenerse especial precaución y antes de empezar el trabajo debe inspeccionarse a fondo toda la zona que se encuentra detrás del tractor cortacésped.

Preste especial atención al cortar en las cercanías de calles y carreteras, carriles para bicicletas y sendas. Los objetos despedidos a alta velocidad pueden causar lesiones personales graves y daños materiales.

Vacíe el recogedor de hierba sólo desde el asiento del conductor.

Antes de vaciar el recogedor de hierba desacople siempre las cuchillas y espere a que se detengan completamente.

Si el tractor cortacésped se opera con acoples, deben seguirse siempre las indicaciones y prescripciones de seguridad indicadas en las instrucciones de uso suministradas con los acoples.

Desacoplar el accionamiento, apagar el motor de combustión y esperar a que las cuchillas se detengan completamente, accionar el freno de estacionamiento y retirar la llave de contacto:

- al abandonar o transportar la máquina.
- antes de eliminar bloqueos u obstrucciones en el canal de expulsión.
- antes de examinar, limpiar o efectuar otros trabajos en el tractor cortacésped.
- cuando las cuchillas hayan chocado contra un objeto extraño.  
Verificar la existencia de daños en la máquina y en la herramienta de corte, y hacer que se realicen las reparaciones necesarias antes de volver a poner en servicio la máquina. En los modelos RT 5112 Z, RT 6112 ZL, RT 6127 ZL comprobar también la posición de montaje de las cuchillas. El equipo de corte no se debe acoplar si los filos se encuentran entre sí en un ángulo diferente, tal como se indica en el capítulo "Mantenimiento de la cuchilla". (⇒ 15.13)

- si la máquina empieza a vibrar de forma inusual con excesiva intensidad. En tal caso habrá que someter la máquina a un examen inmediato.

Apagar el motor de combustión y esperar a que las cuchillas se detengan completamente:

- antes de repostar combustible,
- antes de retirar el recogedor de hierba,
- antes de abrir el capó del motor.

#### **Conducir con control de velocidad:**

Activar el control de velocidad con el suelo mojado, en condiciones desfavorables o cuando se remolcan cargas aumenta el riesgo de accidentes.

Al desconectar el control de velocidad el tractor cortacésped frena de forma brusca.

El control de velocidad solamente es un medio auxiliar previsto para facilitar la conducción. El usuario es responsable de determinar la velocidad a la que se desplaza y de frenar a tiempo.

El control de velocidad no reacciona a obstáculos o a las distintas condiciones del terreno. Si un obstáculo no puede sortearse con la velocidad de marcha ajustada, se debe desconectar el control de velocidad.

#### **Corte en pendientes:**

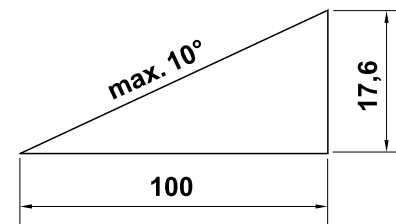
Las pendientes son una de las principales causas de accidentes debidos a la pérdida de control del tractor cortacésped con resultado de vuelco, lo que puede causar lesiones personales graves e incluso la muerte.

No hay ninguna pendiente "segura". La conducción en pendientes con hierba crecida requiere una atención especial.

Por motivos de seguridad, el equipo no se debe utilizar en pendientes con una inclinación superior a 10° (17,6 %).

#### **¡Peligro de lesiones!**

10° de pendiente equivalen a una subida vertical de 17,6 cm para 100 cm de longitud horizontal.



Para garantizar una lubricación suficiente del motor de combustión a la hora de poner en servicio el equipo en terrenos inclinados, deben tenerse en cuenta adicionalmente las indicaciones del manual de instrucciones del motor suministrado.

Si no puede subir la pendiente en marcha atrás o tiene dudas acerca de la seguridad, no debería transitar por esa superficie.

Debe evitar iniciar la marcha o detenerse en una pendiente.

No utilizar el equipo en lugares como pendientes o zanjas en las que pueda volcar o resbalar. El peligro de vuelco o resbalamiento aumenta cuando el firme está suelto o mojado.

Las pendientes deben recorrerse en dirección longitudinal. El desplazamiento en sentido transversal incrementa el riesgo de vuelco.

Al conducir por pendientes no deberían realizarse cambios bruscos de velocidad o dirección. El trabajo en esas situaciones exige un manejo precavido, calmado y uniforme del tractor cortacésped.

Debe evitarse realizar cambios de dirección en pendientes. Únicamente gire en las pendientes cuando sea absolutamente necesario; si es posible circule despacio y describiendo un amplio arco en sentido descendiente.

No cortar hierba mojada, especialmente no en pendientes, ya que la adherencia al suelo se reduce sobre hierba mojada. El tractor cortacésped podría resbalarse y, por tanto, podría dejar de ser controlable por el usuario.

Al desplazarse por cuestas no debe desacoplarse la caja de cambios mediante la palanca de (des)acoplamiento de la caja de cambios.

Al manejar acoples en pendientes debe tenerse especial precaución (reparto de pesos en el vehículo modificado).

Si las ruedas patinan o el equipo no avanza al subir una pendiente, deben desacoplarse las cuchillas o el acople. Seguidamente debe abandonarse la pendiente despacio en marcha atrás y en dirección recta.

Nunca intente estabilizar el tractor cortacésped apoyando el pie en el suelo.

El peso del recogedor de hierba aumenta el peligro de vuelco, especialmente cuando está lleno.

Nunca vacíe ni levante el recogedor de hierba en una superficie inclinada.

Debido a un riesgo elevado de accidente no se puede utilizar el control de velocidad:

- en situaciones que no permiten desplazarse a velocidad constante (por ejemplo, en condiciones desfavorables por terreno mojado o en pendiente).
- cuando el terreno esté resbaladizo. Las ruedas podrían perder el agarre causando el deslizamiento del vehículo.
- en condiciones de mala visibilidad (por ejemplo, debido a niebla, lluvia intensa o en la oscuridad).

### **Remolcar cargas:**

Tenga especial precaución al remolcar cargas para evitar el peligro de sufrir lesiones graves e incluso mortales por el vuelco del tractor cortacésped.

Para el transporte de objetos deben utilizarse exclusivamente los accesorios autorizados por STIHL. No está permitido transportar objetos en el tractor cortacésped o en el recogedor de hierba.

Para remolcar cargas debe utilizarse exclusivamente el enganche para remolque. Las cargas nunca deben engancharse a la carcasa del eje o a otros componentes situados por encima del enganche para remolque.

En el capítulo "Remolcar cargas" encontrará información sobre la carga de tracción y la carga de apoyo. (⇒ 13.11)

Una superación de las cargas indicadas es peligrosa y puede causar daños en el equipo (motor de combustión, caja de cambios, etc.).

Al desplazarse por pendientes, las cargas deben adaptarse de tal manera que quede siempre garantizado el manejo seguro del tractor cortacésped (por ejemplo, frenar, cambiar de dirección, iniciar la marcha).

Compruebe que las cargas hayan sido fijadas de forma competente y segura. Utilizar correas de fijación para sujetar las cargas.

Debe tenerse en cuenta el reparto uniforme de la carga.

Utilice los contrapesos adicionales (accesorios) para las ruedas correspondientes cuando así se indique en el Manual de instrucciones del acople.

No conduzca en curvas cerradas. Debe tenerse especial precaución al conducir en marcha atrás.

No debe efectuarse ningún cambio brusco de velocidad o dirección.

## Parar y apagar el motor:

Sólo debe apagarse el motor del equipo cuando el tractor cortacésped se encuentre en una superficie llana.

Asegúrese de que el tractor cortacésped se ha detenido por completo antes de bajarse de él.



Preste atención a la inercia de la herramienta de corte, que seguirá girando algunos segundos antes de pararse.

Antes de abandonar el asiento del conductor, deben desacoplarse las cuchillas o el accionamiento a los acoples, deben descenderse el equipo de corte y los acoples, deben ponerse todas las palancas de mando en su posición neutra, debe accionarse el freno de estacionamiento, debe apagarse el motor de combustión y retirarse la llave de contacto.

La llave de contacto debe guardarse de tal manera que a ella solamente puedan acceder personas autorizadas.

---

## 4.8 Mantenimiento y reparaciones



Antes de realizar trabajos de limpieza, ajuste, reparación y mantenimiento, debe

estacionarse el equipo en una superficie compacta y llana, debe accionarse el freno de estacionamiento, debe apagarse y dejarse enfriar el motor de combustión y debe retirarse la llave de contacto.

Antes de trabajar en la zona del motor de combustión, codo de escape y silenciador, dejar que el equipo se enfríe; esto también vale especialmente para todos los trabajos de mantenimiento en el equipo de corte.

Se pueden alcanzar temperaturas de 80° C y superiores. **¡Peligro de quemaduras!**

El contacto directo con aceite de motor puede ser peligroso. Además, el aceite de motor no debe derramarse.

STIHL recomienda encargar a un distribuidor especializado STIHL el llenado de aceite de motor o un cambio de aceite de motor.

### Limpeza:

Tras el funcionamiento se deben limpiar completamente el tractor cortacésped y los acoples. De manera particular, deben eliminarse todos los restos de hierba, ya que la humedad que contienen los restos de hierba provoca daños a largo plazo.

STIHL recomienda no utilizar hidrolimpiadoras. (⇒ 15.2)

Desmante el equipo de corte para realizar trabajos de limpieza. No limpiar nunca el equipo de corte con chorros de agua (p. ej. con una manguera de jardín) ni sumergiéndolo en agua.

Para trabajos de limpieza (p. ej., en el chasis del tractor cortacésped) nunca conduzca cerca de un borde o zanja.

Para evitar riesgos de incendio, mantener el motor de combustión, las aletas de refrigeración, el compartimento para la batería y la zona alrededor del depósito y del tubo de escape libres de hierba, hojas o aceite derramado (grasa).

Limpe siempre el recogedor de hierba.

### Trabajos de mantenimiento:

Solo pueden realizarse los trabajos de mantenimiento descritos en este Manual de instrucciones; todos los demás trabajos deben ser realizados por un distribuidor especializado.

En caso de que no disponga de los conocimientos y de los medios auxiliares necesarios, póngase **siempre** en contacto con un distribuidor especializado.

STIHL recomienda la realización de los trabajos de mantenimiento y reparación exclusivamente por el servicio técnico de un distribuidor especializado STIHL. Los distribuidores especializados STIHL reciben formación e información técnica regularmente.

Utilice únicamente herramientas, accesorios o acoples que estén autorizados por STIHL para este equipo o piezas técnicamente equivalentes. En caso contrario, existe riesgo de accidentes con lesiones personales o daños en el equipo. En caso de dudas debería dirigirse a un establecimiento especializado.

En lo que respecta a sus características, las herramientas, accesorios y piezas de recambio originales STIHL están adaptadas de forma óptima al equipo y a las necesidades del usuario. Los recambios originales STIHL se reconocen mediante la referencia de recambio STIHL, el logotipo STIHL y en tal caso por el identificativo de recambio STIHL. En las piezas más pequeñas es posible que solamente esté presente este identificativo.

El tractor cortacésped y todos los acoples deben ser revisados una vez al año por un establecimiento especializado. (⇒ 15.1)

Mantenga los adhesivos de advertencia e indicación siempre limpios y legibles. Debe sustituir los adhesivos dañados o ausentes por nuevos adhesivos originales que su distribuidor especializado STIHL le ponga a disposición. Si un componente se sustituye por otro nuevo, asegúrese que el nuevo componente disponga de los mismos adhesivos.

Por razones de seguridad, los componentes del sistema de alimentación de combustible (la tubería de combustible, el paso de combustible, el depósito de combustible, el tapón del depósito, las conexiones, etc.) deben comprobarse regularmente con respecto a la existencia de daños y fugas y, en caso necesario, deben ser sustituidos por un técnico (STIHL recomienda los Distribuidores Especializados STIHL).

Antes de realizar trabajos en componentes eléctricos o en sus cercanías debe desembornarse el cable de negativo (-) de la batería.

El equipo cuenta con numerosos dispositivos de seguridad. Estos dispositivos no deben retirarse ni modificarse (puentearse, etc.) y deben controlarse regularmente. Los trabajos en los dispositivos de seguridad solamente deben ser realizados por un técnico especializado. Para ello, STIHL recomienda los distribuidores especializados STIHL.

Tener en cuenta que el movimiento de una herramienta de corte ocasiona el giro de las demás herramientas de corte.

Mantener firmemente apretadas todas las tuercas, pernos y tornillos, especialmente los tornillos de fijación de las cuchillas, para que el equipo se encuentre en condiciones de funcionamiento seguras.

Los componentes gastados o dañados deben sustituirse inmediatamente por motivos de seguridad.

Verifique con regularidad si el dispositivo recogedor de hierba (p. ej., recogedor de hierba, canal de expulsión) está desgastado, dañado o si ha perdido su funcionalidad.

Los trabajos debajo de la máquina deben llevarse a cabo con especial precaución debido al peso del tractor cortacésped. Para ello, póngase en contacto con su establecimiento especializado. STIHL recomienda los distribuidores especializados STIHL. Ellos disponen de un foso de trabajo o de una plataforma de trabajo hidráulica.

Controle la seguridad de las fijaciones de las ruedas delanteras y traseras.

Mantenga el tractor cortacésped y los acoples siempre en un estado de servicio impecable; todos los dispositivos de seguridad deben estar disponibles y en un estado de funcionamiento perfecto.

Verifique la correcta presión de los neumáticos. La presión de aire indicada en el Manual de instrucciones no debe sobrepasarse.

Los trabajos en las cuchillas sólo deben llevarse a cabo con guantes de trabajo resistentes y tomando especiales medidas de precaución.

El funcionamiento de los frenos debe verificarse regularmente y con frecuencia y, en caso necesario, deben encargarse los trabajos de ajuste y mantenimiento a un técnico especializado. STIHL recomienda los distribuidores especializados STIHL.

### **Sistema eléctrico y batería:**

Para evitar la formación de chispas debido a un cortocircuito, el cable de negativo (-) de la batería siempre debe desembornarse en primer lugar y embornarse de nuevo en último lugar.



Nunca fume al realizar trabajos en la batería. Las fuentes de chispas, llamas y calor deben mantenerse alejadas de la batería.

Deben tomarse precauciones especiales al utilizar cables auxiliares de arranque. Tenga en cuenta las indicaciones correspondientes con el fin de evitar daños en el tractor cortacésped (de manera particular, accione el motor de arranque un máximo de 10 segundos). (⇒ 13.2)

Para la carga de la batería con otro sistema de carga, observe las instrucciones del capítulo "Cargar la batería". (⇒ 15.21)

Nunca abra o deje caer la batería.

Cargue la batería siempre en un recinto cerrado que esté bien ventilado, seco y protegido contra influencias meteorológicas.

No cortocircuitar las conexiones de la batería.

Las baterías deformadas o defectuosas (con fugas) no deben utilizarse y tienen que ser sustituidas y eliminadas de manera respetuosa con el medioambiente. Observe las normativas específicas del país.

De una batería defectuosa puede salir líquido. ¡Evitar el contacto! En caso de contacto accidental, enjuague con agua abundante la parte afectada. Si el líquido entra en los ojos, acuda a un médico. El líquido derramado de la batería puede producir irritaciones en la piel, quemaduras y causticaciones.

Realice regularmente comprobaciones visuales para verificar la existencia de daños en los cables de conexión de la

batería. Encargue a un técnico especializado la sustitución de los cables que presenten daños.

Los fusibles nunca deben puentearse. Nunca utilice fusibles con una capacidad de resistencia (amperios) distinta a la prescrita.

#### 4.9 Almacenamiento durante largos periodos de inactividad

Deje que el motor de combustión se enfríe antes de guardar el equipo en un lugar cerrado.

Almacene el tractor cortacésped con el depósito vacío y el combustible en un recinto cerrado y bien ventilado.

Nunca guarde el equipo con gasolina en el depósito de combustible en el interior de un edificio, donde los vapores de gasolina pudieran entrar en contacto con fuego o chispas.

En caso de que el depósito deba vaciarse (por ejemplo, para una parada prolongada antes del invierno), este trabajo debe llevarse a cabo únicamente al aire libre (vaciando, por ejemplo, el depósito de combustible dejando el motor marchando al ralentí).

El equipo debe guardarse en condiciones de servicio seguras.

La llave de contacto siempre debe retirarse y guardarse en un lugar seguro, para evitar un uso no autorizado o inadecuado por niños y otras personas.

Limpiar a fondo el tractor cortacésped antes de su almacenamiento (por ejemplo, en invierno). Los restos de hierba y hojas secas en las cercanías del silenciador pueden inflamarse. **¡Peligro de incendio!**

Dejar que el equipo se enfríe por completo antes de cubrirlo.

Antes del almacenamiento, realizar todos los trabajos de mantenimiento necesarios. (⇒ 15.1)

Si el tractor cortacésped se pone fuera de servicio durante una parada prolongada, deben desembornarse los cables de la batería. STIHL recomienda desmontar la batería y guardarla completamente cargada en un lugar seco y cerrado. (⇒ 15.19)

Asegúrese de que la batería no pueda ser utilizada por personas no autorizadas (p. ej. niños).

#### 4.10 Eliminación

Los productos de desecho, como el aceite usado, combustible, lubricantes, filtros, baterías y piezas de desgaste similares pueden perjudicar a personas, animales y al medio ambiente y, por tanto, deben eliminarse correctamente.

Póngase en contacto con su centro de reciclado o su establecimiento especializado para recibir información sobre cómo eliminar los productos desechables de forma correcta. STIHL recomienda los distribuidores especializados STIHL.

Asegúrese de que el equipo viejo se deseché correctamente. Inutilice el equipo antes de desecharlo. Para prevenir accidentes, retire especialmente la llave de contacto, la batería y los cables de encendido en el motor de combustión.

#### ¡Peligro de lesiones por la cuchilla!

Un tractor cortacésped fuera de servicio tampoco debe dejarse nunca sin

vigilancia. Asegúrese que el equipo, y en particular las cuchillas, se guarden fuera del alcance de los niños.

La batería se debe eliminar de manera separada del equipo. Hay que garantizar que las baterías se eliminen de forma segura y respetuosa con el medio ambiente.

## 5. Descripción de los símbolos



#### ¡Atención!

Antes de la puesta en servicio de la máquina deben leerse y tenerse en cuenta el manual de instrucciones y las indicaciones de seguridad.



#### ¡Peligro de lesiones!

Antes de todos los trabajos en la herramienta de corte y antes de realizar trabajos de mantenimiento y limpieza, retirar la llave de contacto.



#### ¡Atención!

Cuidado con los objetos lanzados al aire; guardar distancia e impedir que otras personas se acerquen.



### ¡Atención!

Tener en cuenta la posibilidad de que salgan disparados objetos; con el motor de combustión en marcha debe trabajarse con recogedor de hierba o deflector (accesorio especial).



### ¡Peligro de lesiones!

No conducir el tractor cortacésped ni cortar en pendientes que superen una inclinación de 10° (17%).

### ¡Peligro de vuelco!



### ¡Peligro de lesiones!

Impedir que otras personas se acerquen a la zona de peligro.



### ¡Atención!

No introducir nunca una mano en la zona de trabajo de las cuchillas con el motor de combustión en marcha.

### ¡Peligro de lesiones!

No entrar en el radio de acción del equipo de corte.



### ¡Peligro de quemaduras!

No tocar las superficies calientes y guardar distancia. Los componentes del motor de combustión, especialmente el silenciador, se calientan extremadamente.



### ¡Peligro de muerte por intoxicación!

En caso de sufrir malestar, dolor de cabeza, trastornos visuales (p. ej., reducción del campo visual), trastornos auditivos, mareos o pérdida de la capacidad de concentración, detener inmediatamente el trabajo. Estos síntomas pueden ser causados, entre otras razones, por elevadas concentraciones de gases de escape.



### ¡Peligro de muerte!

La gasolina es tóxica y altamente inflamable. Mantener alejada la gasolina de chispas, llamas abiertas, llamas permanentes, fuentes de calor y otros focos de ignición. ¡No fumar!

Antes de repostar, apagar el motor de combustión y dejar que se enfríe.

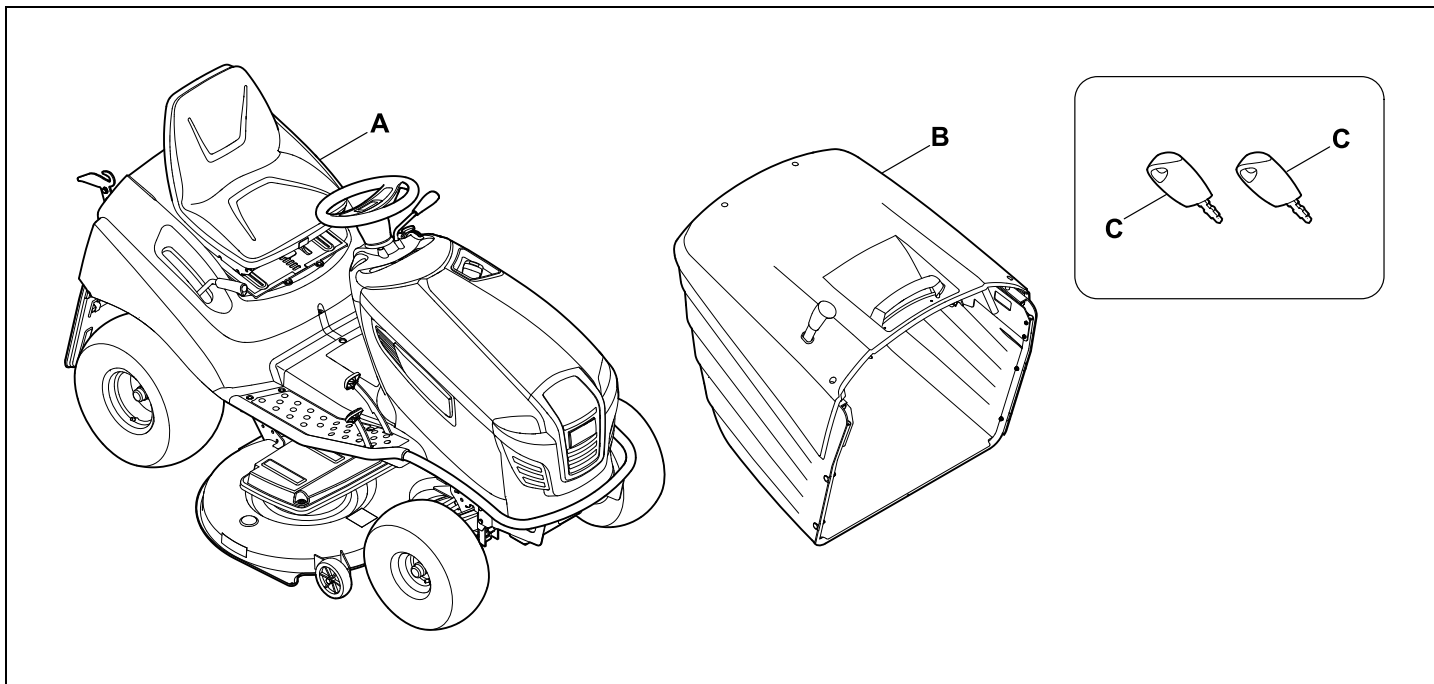


### ¡Peligro de lesiones!

Durante el trabajo se genera ruido. El ruido puede dañar el oído.

Utilizar una protección auditiva.

## 6. Contenido del suministro



Pos.	Denominación	Unid.
A	Equipo base	1
B	Recogedor de hierba	1
C	Llave de contacto	2
-	Manual de instrucciones	1
-	Manual de instrucciones del motor de combustión	1

## 7. Tareas a realizar antes de la primera puesta en servicio

### ⚠ ¡Advertencia!

¡Antes de realizar trabajos en el tractor cortacésped debe leerse detenidamente el capítulo "Para su seguridad" y deben tenerse en cuenta sus indicaciones! (⇒ 4.)

- Controlar el nivel de llenado del aceite de motor. (⇒ 15.8)
- Repostar combustible. (⇒ 13.1)
- Abrir la llave de paso de combustible. (⇒ 15.7)
- Optimizar la presión de los neumáticos. (⇒ 15.16)

## 8. Elementos de mando

### 8.1 Contacto de encendido con interruptor de luz

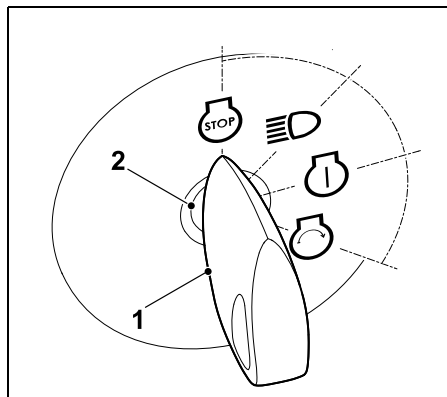
El contacto de encendido sirve para arrancar y parar el motor de combustión y para conectar y desconectar los faros.



### ⚠ ¡Evitar causar daños en el equipo!

La llave de contacto sólo puede introducirse y extraerse en la posición de "motor de combustión apagado".

Utilizar el contacto de encendido sólo con la llave de contacto adecuada. No utilizar nunca un destornillador o herramienta similar.



Introducir la llave de contacto (1) en el contacto de encendido (2).

Girando la llave de contacto pueden seleccionarse las siguientes **cuatro** posiciones:

#### Apagar motor de combustión:

El motor de combustión se desconecta o se apaga. Las luces se apagan y la llave de contacto se puede extraer.



#### Luces encendidas (servicio con luces):

Motor de combustión en marcha: Las luces se encienden; el motor de combustión sigue funcionando.



Motor de combustión desconectado: Las luces se encienden.

#### Encendido conectado o motor de combustión en marcha:

El encendido es conectado y las luces se apagan. Después del arranque, la llave de contacto salta automáticamente de vuelta a esta posición y el motor de combustión está en marcha.



### Arrancar motor de combustión:



Cuando se cumplan todos los puntos relevantes de seguridad para el arranque y se gire la llave de contacto a esta posición, el motor de combustión arrancará.

Al soltar la llave de contacto esta saltará de vuelta a la posición "Motor de combustión en marcha".

### ⓘ Nota

Con motor de combustión apagado se activará una señal acústica tras 20 segundos en las posiciones de "Luces encendidas" y "Encendido conectado". La señal acústica avisa de que la batería se está descargando. Para desactivar la señal acústica hay que girar la llave de contacto a la posición "Motor de combustión apagado" o arrancar el motor de combustión.

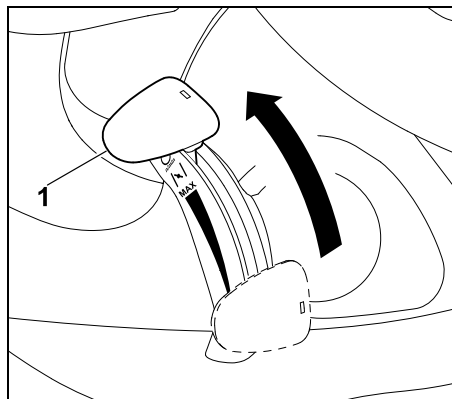
### 8.2 Acelerador con estárter (RT 5097)

Para arrancar un motor de combustión frío, el acelerador debe ponerse en la posición de estárter en el modelo RT 5097.

ⓘ Un motor de combustión caliente debe arrancarse sin estárter (acelerador en posición MAX). Cuando el motor de combustión se haya puesto en marcha, desactivar el estárter. No colocar nunca el acelerador en la posición de estárter con el motor de combustión en marcha.



## Posición de estérter:

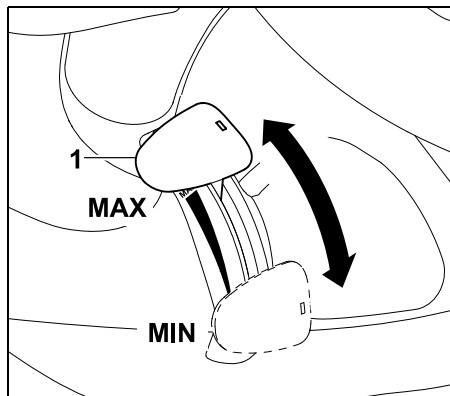


Desplazar el acelerador (1) completamente hacia adelante a la posición de estérter (observar la posición de enclavamiento).

### Ajustar el régimen del motor de combustión:



Para realizar trabajos de corte y para arrancar el motor de combustión, colocar el acelerador en la posición MAX.



Si se desplaza el acelerador (1) hacia abajo o hacia arriba, se modifica el régimen del motor de combustión y (con el equipo de corte acoplado) la velocidad de giro de las cuchillas.

#### Posición MAX:

Si se coloca el acelerador (1) hacia adelante en la dirección MAX, aumentará el régimen del motor de combustión.

#### Posición MIN:

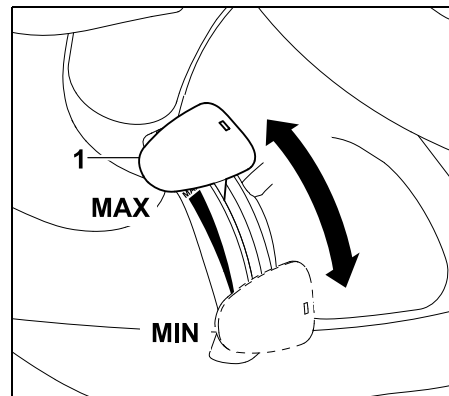
Si se coloca el acelerador (1) hacia atrás en la dirección MIN, disminuirá el régimen del motor de combustión.

### 8.3 Acelerador (RT 5097 Z, RT 5112 Z, RT 6112 ZL, RT 6127 ZL)

#### Ajustar el régimen del motor de combustión:



Para realizar trabajos de corte y para arrancar el motor de combustión, colocar el acelerador en la posición MAX. Para arrancar un motor de combustión frío, accionar también el botón del estérter.



Si se desplaza el acelerador (1) hacia abajo o hacia arriba, se modifica el régimen del motor de combustión y, con el equipo de corte acoplado, la velocidad de giro de las cuchillas.

#### Posición MAX:

Si se coloca el acelerador (1) hacia adelante en la dirección MAX, aumentará el régimen del motor de combustión.

#### Posición MIN:

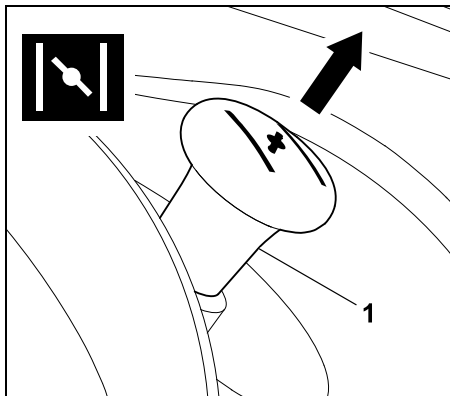
Si se coloca el acelerador (1) hacia atrás en la dirección MIN, disminuirá el régimen del motor de combustión.

### 8.4 Botón del estérter (RT 5097 Z, RT 5112 Z, RT 6112 ZL, RT 6127 ZL)

Para arrancar un motor de combustión en frío, los modelos RT 5097 Z, RT 5112 Z, RT 6112 ZL, RT 6127 ZL están equipados con un botón del estérter.

- i** Arrancar un motor de combustión caliente sin estárter.  
En cuanto el motor de combustión se ponga en marcha, colocar el botón del estárter nuevamente en su posición inicial.  
No activar nunca el estárter con el motor de combustión en marcha.

#### Activar el estárter:



Antes de arrancar, sacar el botón del estárter (1) hasta el tope.

#### Desactivar el estárter:

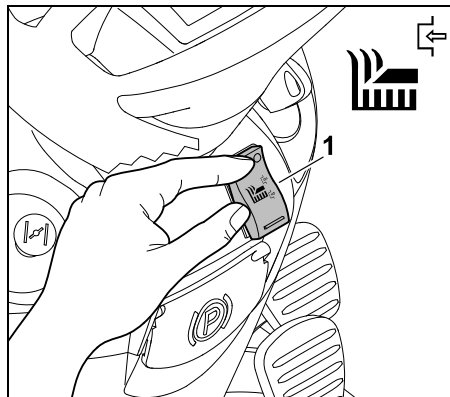
- Meter el botón del estárter hasta el tope.

#### 8.5 Conmutador del equipo de corte (RT 5097, RT 5097 Z, RT 5112 Z)

Con el conmutador del equipo de corte puede acoplarse el equipo de corte con el motor de combustión en marcha y teniendo en cuenta todos los dispositivos de seguridad (⇒ 12.).

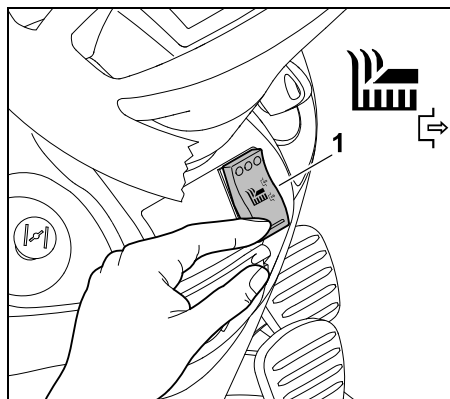
- !** ¡Evitar que la máquina sufra daños!  
No acoplar las cuchillas en hierba alta o en el nivel más bajo de corte.  
Activar el equipo de corte solo a velocidad máxima (acelerador en posición MAX).

#### Acoplar el equipo de corte:



Presionar el interruptor del equipo de corte (1) hasta el tope en el lado superior.

#### Desacople el equipo de corte:



Presionar el interruptor del equipo de corte (1) hasta el tope en el lado inferior.

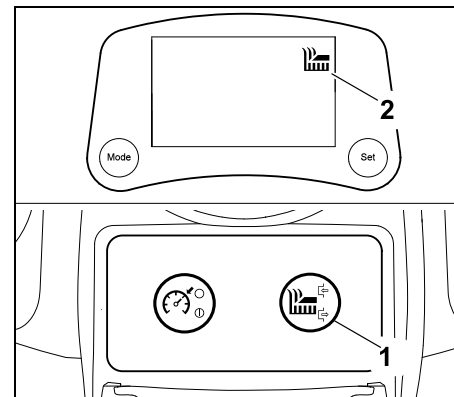
- i** En caso necesario, se puede programar el sistema electrónico de tal manera que cuando el recogedor de hierba se llene completamente, se desacople automáticamente el equipo de corte. (⇒ 13.8)

#### 8.6 Tecla del equipo de corte (RT 6112 ZL, RT 6127 ZL)

Con la tecla del equipo de corte puede acoplarse el equipo de corte con el motor de combustión en marcha y teniendo en cuenta todos los dispositivos de seguridad (⇒ 12.).

- !** ¡Evitar que la máquina sufra daños!  
No acoplar las cuchillas en hierba alta o en el nivel más bajo de corte.  
Activar el equipo de corte solo a velocidad máxima (acelerador en posición MAX).

#### Acoplar el equipo de corte:



Pulsar la tecla Equipo de corte (1) al menos durante 1 segundo. Se activa el equipo de corte en cuanto aparece en el display el símbolo "Equipo de corte activado" (2).

#### Desacople el equipo de corte:

- Pulsar la tecla del equipo de corte. El equipo de corte se desactiva en cuanto aparece en el display el símbolo "Equipo de corte activado".



En caso necesario, se puede programar el sistema electrónico de tal manera que cuando el recogedor de hierba se llene completamente, se desacople automáticamente el equipo de corte. (⇒ 13.8)

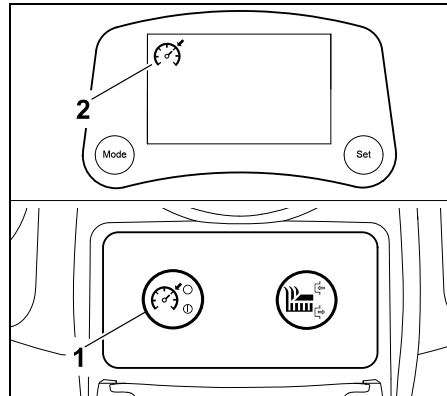
#### 8.7 Tecla de control de velocidad (RT 6112 ZL, RT 6127 ZL)

Con la tecla de control de velocidad se fija durante la marcha la velocidad a la que se desplaza el tractor cortacésped en ese momento.



Cuando se realiza el desplazamiento marcha atrás, después de pulsar la tecla de control de velocidad, aparece en el display el símbolo "Control de velocidad activo", pero el control de velocidad permanece desactivado por motivos de seguridad.

#### Activar el control de velocidad:



Seleccionar la velocidad deseada y pulsar la tecla del control de velocidad (1) al menos durante 1 segundo. El control de velocidad está activado cuando aparece en el display el símbolo "Control de velocidad activo" (2). El pedal de tracción se fija y se mantiene la velocidad a la que se desplaza el tractor cortacésped en ese momento. Se puede quitar el pie del pedal de tracción.

#### Desactivar el control de velocidad:



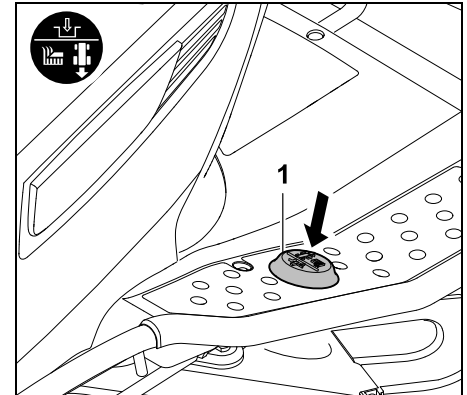
##### ¡Peligro de lesiones!

Antes de desactivar el control de velocidad, apoyar el pie sobre el pedal de tracción para evitar que este salte repentinamente y el tractor cortacésped frene bruscamente.

- Pulsar la tecla del control de velocidad, abandonar el asiento del conductor o pisar el pedal de freno. El control de velocidad está desactivado cuando se apaga el símbolo "Control de velocidad activo".

#### 8.8 Interruptor de seguridad para corte en marcha atrás

Con el interruptor de seguridad para corte en marcha atrás se libera el equipo de corte para cortar en dirección hacia atrás. Si no se libera, el equipo de corte se desacopla automáticamente por motivos de seguridad.



Para cortar en marcha atrás, accionar una vez brevemente con el pie izquierdo el interruptor de seguridad para corte en marcha atrás (1) dentro de un plazo de tiempo definido.

#### 1 Liberación con el equipo de corte desacoplado:

- Detener el tractor cortacésped y seleccionar la dirección hacia atrás. (⇒ 8.9)
- Accionar una vez brevemente con el pie izquierdo el interruptor de seguridad para corte en marcha atrás.

- Acoplar el equipo de corte e iniciar el corte en marcha atrás en un plazo de 5 segundos. (⇒ 8.5), (⇒ 8.6)  
También es posible una liberación hasta 1 segundo después de ponerse en movimiento.

## 2 Liberación con el equipo de corte acoplado:

- Accionar una vez brevemente con el pie izquierdo el interruptor de seguridad para corte en marcha atrás durante el trabajo.
- Cambiar a dirección de marcha atrás en el transcurso de 5 segundos y continuar el corte. (⇒ 8.8)  
También es posible una liberación hasta 1 segundo después de cambiar la dirección de marcha.

- i** Si se pulsa prolongadamente el interruptor de seguridad para corte en marcha atrás, se debe liberar y volver a accionar el interruptor dentro del plazo de tiempo definido.

En los modelos RT 6112 ZL y RT 6127 ZL el símbolo de "Corte en marcha atrás" parpadea en el display hasta que se realiza la liberación. (⇒ 10.5)

## 8.9 Palanca selectora de la dirección de marcha

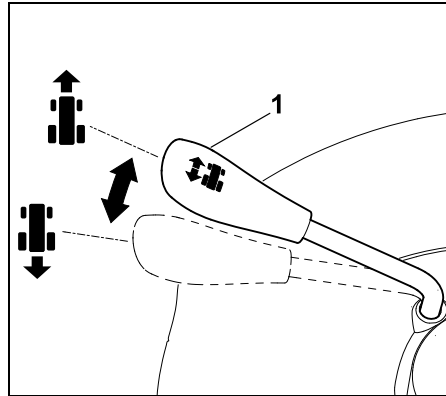
Mediante la palanca selectora de la dirección de marcha se selecciona la dirección de desplazamiento.



Después de accionar el pedal de tracción, el tractor cortacésped se desplaza en la dirección seleccionada. Con sólo accionar la palanca selectora de la dirección de marcha el equipo no se pone en movimiento.

- i** Por motivos de seguridad, con el pedal de tracción pisado, la palanca selectora de la dirección de marcha está bloqueada. Por tanto, suelte el pedal de tracción antes de accionar la palanca selectora de dirección de marcha.

### Seleccionar la dirección de marcha:



**Dirección de marcha hacia adelante:**  
Coloque la palanca selectora de la dirección de marcha (1) en la posición delantera.

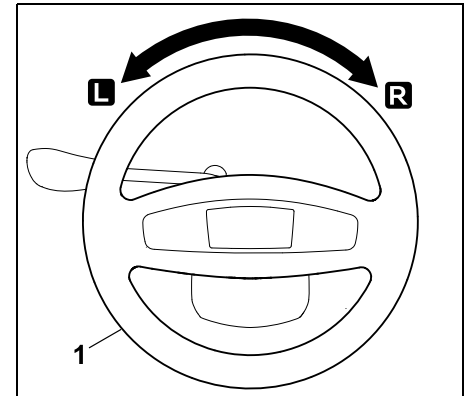
**Dirección de marcha hacia atrás:**  
Coloque la palanca selectora de la dirección de marcha (1) en la posición trasera.

## 8.10 Volante



### ¡Advertencia!

Durante la marcha, sujete siempre el volante con ambas manos.



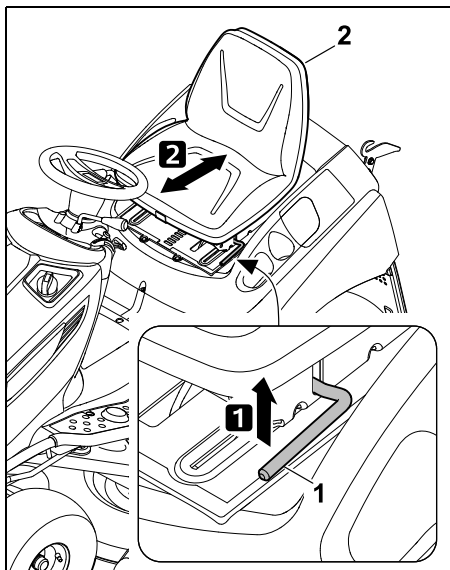
Si gira el volante (1) a la izquierda **L** o a la derecha **R** se modifica la dirección de desplazamiento del aparato. Cuanto más se gire el volante (1), tanto más se reducirá el radio de giro.

## 8.11 Ajuste del asiento del conductor

El asiento del conductor puede ajustarse en siete niveles de enclavamiento.



- Apagar el motor de combustión. (⇒ 13.3)
- Sentarse en el asiento del conductor y colocar la mano derecha sobre el volante.



- 1** Levantar la palanca de ajuste del asiento del conductor (1) con la mano izquierda y mantenerla levantada.
- 2** Colocar el asiento del conductor (2) en la posición deseada. Soltar seguidamente la palanca de ajuste del asiento del conductor y dejar que encaje.

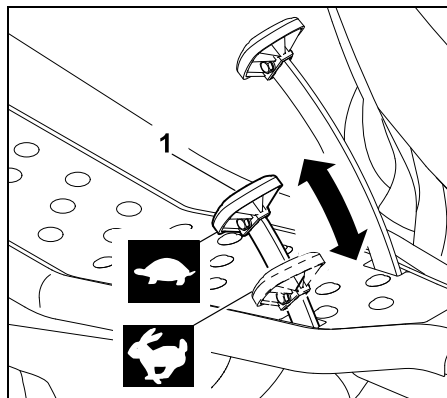
### 8.12 Pedal de tracción



#### Nota

Antes de pisar el pedal de tracción debe asegurarse de que está seleccionada la dirección correcta en la palanca selectora de la dirección de marcha. Si está accionado el freno de estacionamiento o pisado el pedal de freno no se puede accionar el pedal de tracción.

Con el pedal de tracción la velocidad de marcha se regula de manera continua.



#### Detener el vehículo:

Quite el pie del pedal de tracción (tracción a las ruedas) (1).

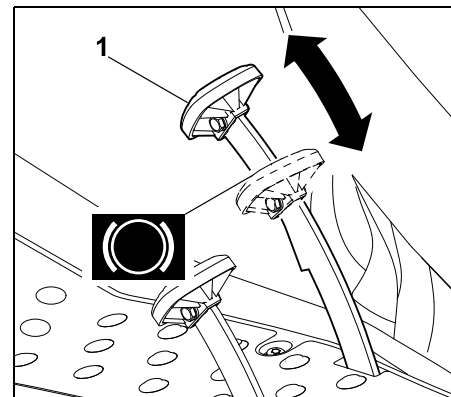
#### Disminuir la velocidad de marcha:

Reduzca la presión sobre el pedal de tracción (1).



#### Aumentar la velocidad de marcha:

Pise el pedal de tracción (1).



Pisar el pedal del freno (1).

Cuanto más fuerte se pise el pedal del freno (1), más se frenarán las ruedas traseras.



#### ¡Advertencia!

El equipo nunca debe ponerse en marcha con los frenos defectuosos. Un freno defectuoso ha de ser reparado o ajustado siempre en un establecimiento especializado. STIHL recomienda los distribuidores especializados STIHL.

Nunca intente realizar trabajos de mantenimiento en los frenos usted mismo.

### 8.13 Pedal del freno

Con ayuda del pedal de freno puede frenarse el equipo durante la marcha o detenerlo completamente.

### 8.14 Freno de estacionamiento

Con el freno de estacionamiento accionado se bloquean las ruedas traseras del equipo. Con ello se evita que el tractor cortacésped pueda ponerse en movimiento accidentalmente (por ejemplo, en pendientes, etc.).

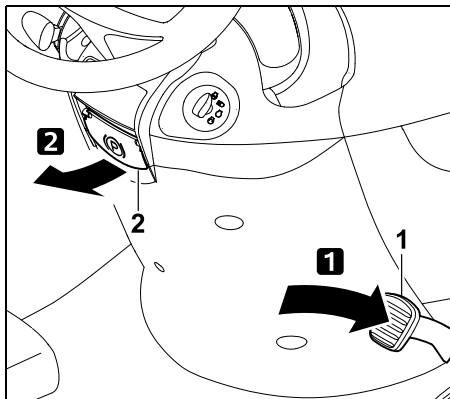




### Nota

Antes de accionar el freno de estacionamiento debe comprobarse siempre el funcionamiento del freno.

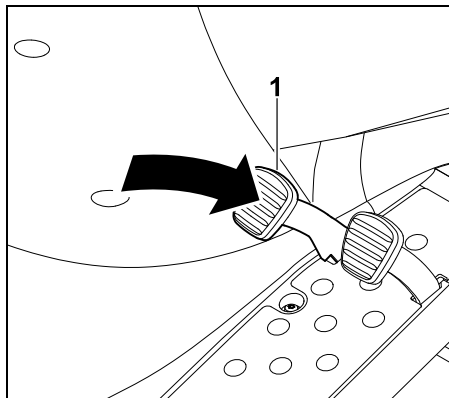
### Accionar el freno de estacionamiento:



Pisar el pedal del freno (1) a fondo y mantenerlo en esta posición. Tirar de la palanca del freno de estacionamiento (2) hacia arriba.

- Soltar de nuevo el pedal del freno. El freno de estacionamiento está activado cuando el pedal de freno permanece en posición oprimida. En los modelos RT 6112 ZL y RT 6127 ZL aparece en el display el símbolo de "Freno de estacionamiento accionado" cuando el freno de estacionamiento está accionado. (⇒ 10.5)
- Soltar la palanca del freno de estacionamiento. Esta se repliega hacia abajo. Las ruedas traseras quedan bloqueadas.

### Soltar el freno de estacionamiento:



Pisar brevemente el pedal del freno (1).

- El pedal del freno vuelve a su posición inicial (en el estado no presionado). El freno de estacionamiento está desactivado y las ruedas traseras ya no están más bloqueadas.

### 8.15 Palanca de ajuste de la altura de corte

Con ayuda de la palanca de ajuste de altura de corte pueden ajustarse 8 niveles de corte.



### Elevar y descender el equipo de corte:

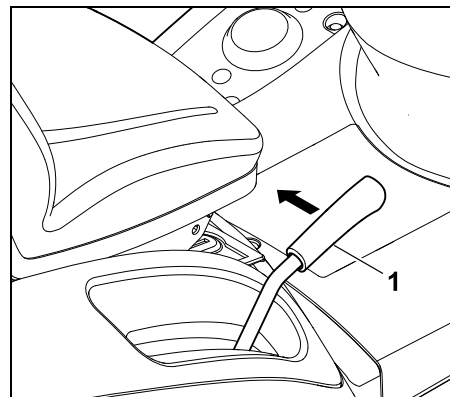


#### ¡Peligro de lesiones!

Sujetar fuertemente la palanca de ajuste de la altura de corte durante el proceso de ajuste. Regular la altura de corte únicamente con el tractor cortacésped detenido.



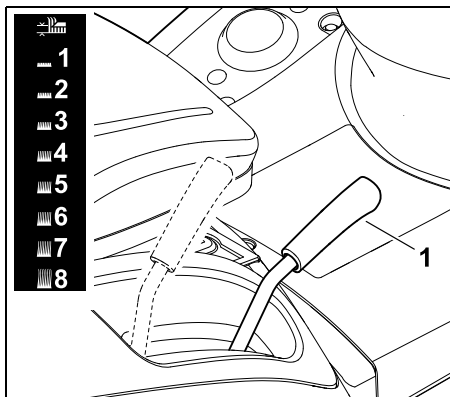
El proceso de desbloqueo de la palanca de ajuste de la altura de corte depende del hecho de que el equipo de corte esté montado o desmontado.



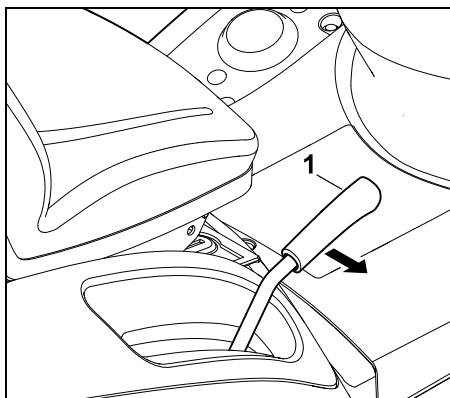
Desbloquear la palanca de ajuste de la altura de corte:

**Con el equipo de corte montado** tirar de la palanca de ajuste de la altura de corte (1) hacia dentro (hacia el asiento del conductor) y mantenerla en esta posición.

**Con el equipo de corte desmontado** presionar ligeramente hacia abajo y a continuación tirar de la palanca de ajuste de la altura de corte (1) hacia dentro (hacia el asiento del conductor) y mantenerla en esta posición.



Desbloquear la palanca de ajuste de la altura de corte (1) guiándola hacia arriba o hacia abajo y ajustar la altura de corte deseada.



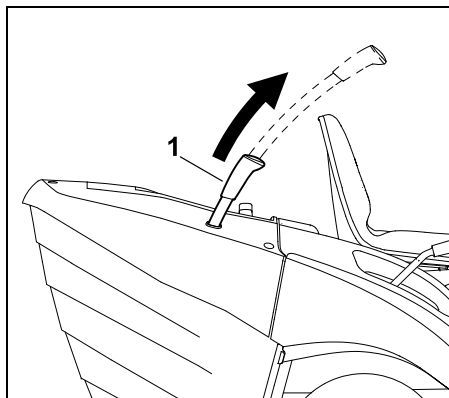
Bloquear la palanca de ajuste de la altura de corte:  
Orientar hacia fuera la palanca de ajuste de la altura de corte (1) hasta que enclave en la de enclavamiento deseada.

## 8.16 Palanca de vaciado del recogedor de hierba

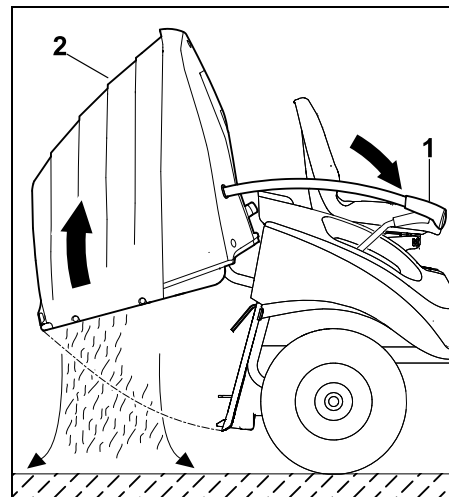
Con ayuda de la palanca de vaciado del recogedor de hierba puede vaciarse el recogedor de hierba sin que el conductor deba abandonar el asiento del conductor.



- Desacoplar el equipo de corte. (⇒ 8.5), (⇒ 8.6)
- Frenar la máquina hasta que se detenga completamente.
- Mantener pulsado el pedal de freno o accionar el freno de estacionamiento.



Tirar de la palanca de vaciado del recogedor de hierba (1) hacia arriba.



Presionar hacia delante la palanca de vaciado del recogedor de hierba (1). El recogedor de hierba (2) bascula hacia arriba y el material cortado cae hacia fuera.

Cuando el recogedor de hierba de los modelos RT 6112 ZL y RT 6127 ZL está completamente desplegado, aparece en el display el símbolo de "Recogedor de hierba abierto o no montado". (⇒ 10.5)

- Llevar la palanca de vaciado del recogedor de hierba lentamente hacia atrás y hacer que el recogedor de hierba vuelva a encajar en la pared posterior.
- Presionar la palanca de vaciado del recogedor de hierba hacia abajo y llevarla a la posición inicial (introducida).

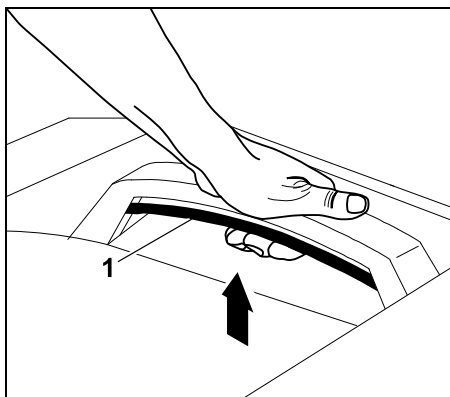
### 8.17 Palanca de desbloqueo del recogedor de hierba

**¡Advertencia!**  
Al accionar la palanca de desbloqueo del recogedor de hierba hay que prestar atención a no pillarse los dedos.

La palanca de desbloqueo del recogedor de hierba se encuentra debajo de la empuñadura de sujeción del recogedor de hierba.

Antes de enganchar o desenganchar el recogedor de hierba debe tirarse hacia arriba y sujetarse la palanca de desbloqueo del recogedor de hierba.

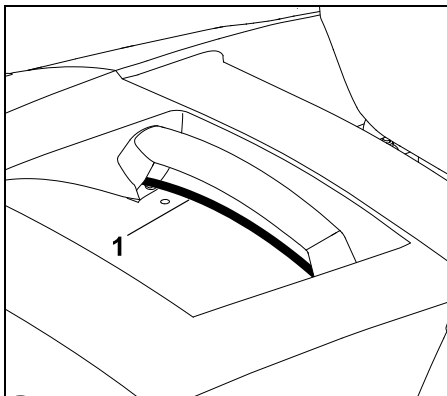
#### Desbloquear el recogedor de hierba:



Tire de la palanca de desbloqueo del recogedor de hierba (1) completamente hacia arriba y manténgala en esta posición.

- El recogedor de hierba está desbloqueado y puede retirarse.

### Bloquear el recogedor de hierba:



Tras enganchar el recogedor de hierba debe liberarse la palanca de desbloqueo del recogedor de hierba (1). Para ello tenga en cuenta que el bloqueo quede completamente enclavado.

- Después del bloqueo, el recogedor de hierba está fijado nuevamente al equipo.

### 8.18 Palanca de (des)acoplamiento de la caja de cambios

La caja de cambios puede desacoplarse (p. ej., para desplazar el equipo) o acoplarse (para la tracción a las ruedas) con la palanca de (des)acoplamiento de la caja de cambios.

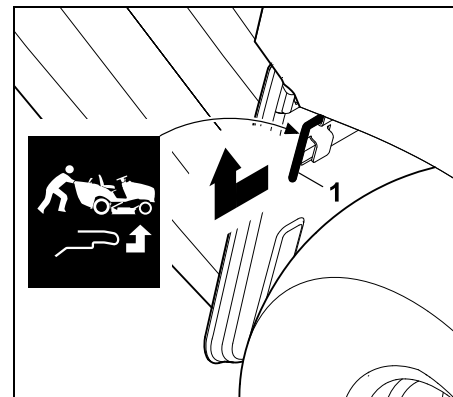


### Advertencia: ¡Peligro de lesiones por aplastamiento!

Se debería sacar la palanca de (des)acoplamiento de la caja de cambios sólo en terrenos llanos, ya que en caso contrario el equipo se puede poner en movimiento accidentalmente.

Si se detiene el equipo con la caja de cambios desacoplada deberá accionarse el freno de estacionamiento.

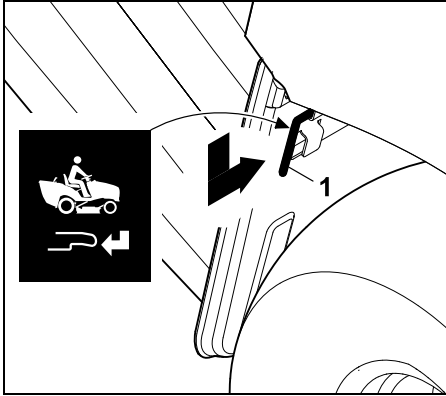
#### Desacoplar la caja de cambios:



Extraer hacia fuera la palanca de (des)acoplamiento de la caja de cambios (1) hasta el tope y elevarla.



## Acoplar la caja de cambios:



Desplazar hacia abajo la palanca de (des)acoplamiento de la caja de cambios (1) y presionarla hacia dentro hasta el tope.

### 8.19 Sensor de nivel de llenado (recogedor de hierba)

Si está lleno el recogedor de hierba, se activa un tono acústico. De ese modo se indica que se debe vaciar el recogedor de hierba.

**i** El tono acústico se desactiva al desacoplar el equipo de corte.

Modificando la longitud del sensor de nivel de llenado (recogedor de hierba) se modifica el momento en que se emite la señal al llenarse el recogedor de hierba.

Con ello puede adaptar el llenado del recogedor de hierba a la naturaleza del material cortado.

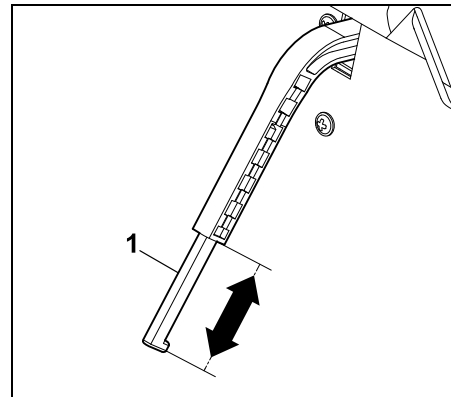
Normalmente un sensor ajustado más corto implica una activación más tardía de la señal (el recogedor se llena más, ideal en el caso de césped muy seco).

El sensor de nivel de llenado del recogedor de hierba puede regularse en 6 posiciones de enclavamiento.

En el momento del suministro el sensor de nivel de llenado (recogedor de hierba) está completamente extendido.

### Ajustar el sensor de nivel de llenado:

- Apagar el motor de combustión. (⇒ 13.3)
- Accionar el freno de estacionamiento. (⇒ 8.14)
- Retirar el recogedor de hierba. (⇒ 13.10)



La corredera (1) del sensor de nivel de llenado (recogedor de hierba) puede alargarse o acortarse desplazándola en la dirección de la flecha.

- Enganchar el recogedor de hierba. (⇒ 13.10)

## 9. Sistema electrónico

El tractor cortacésped está equipado con un sistema electrónico que comprueba todos los dispositivos de seguridad antes

de cada arranque y durante el servicio con el fin de garantizar un funcionamiento seguro.

**i** El sistema electrónico de los modelos RT 6112 ZL y RT 6127 ZL también controla el display. Por tanto, en el display de estos modelos se indica información adicional.

### 9.1 Autodiagnóstico durante el arranque

Antes de arrancar el motor de combustión, el sistema electrónico realiza un autodiagnóstico. Con él se comprueba el correcto funcionamiento de los conmutadores, cables, etc.

#### Activación del autodiagnóstico:

- Sentarse en el asiento del conductor.
- Soltar el freno de estacionamiento. (⇒ 8.14)
- Girar la llave de contacto hasta la posición "Encendido conectado" (⇒ 8.1) y no accionar ninguna tecla, conmutador ni pedal.

#### Autodiagnóstico sin errores:

Se activa una señal acústica breve. El sistema electrónico está activado y el tractor cortacésped está listo para arrancar.

RT 6112 ZL, RT 6127 ZL:

En el display se visualizan todos los símbolos durante 2 segundos. Las horas de trabajo se pueden consultar durante 5 segundos.

- Arrancar el motor de combustión. (⇒ 13.2)

## Autodiagnóstico con errores:

Se activa una señal acústica continua o tres señales acústicas consecutivas.

Una **señal acústica continua** indica una avería en el sistema electrónico o que la batería está conectada de forma errónea.

- Girar la llave de contacto a la posición de "Motor de combustión apagado". (⇒ 8.1)
- Comprobar la polaridad de las conexiones de la batería y conectar los cables correctamente si fuera necesario. (⇒ 15.19)
- Repetir el autodiagnóstico. Si la señal acústica continua permanece activa aunque la batería esté conectada correctamente, hay una avería en el sistema electrónico. Póngase en contacto con su establecimiento especializado. STIHL recomienda los distribuidores especializados STIHL.

**Tres señales acústicas consecutivas** indican que hay una avería en el sistema electrónico (cortocircuito) o en el conmutador de contacto de asiento. El motor de combustión no se puede arrancar.

RT 6112 ZL, RT 6127 ZL:

En el display parpadean los símbolos correspondientes y el texto ERROR.

- Girar la llave de contacto a la posición de "Motor de combustión apagado". (⇒ 8.1)
- Un distribuidor especializado deberá realizar un diagnóstico detallado. STIHL recomienda los distribuidores especializados STIHL.

## 9.2 Anomalía en el tractor cortacésped durante el servicio

El sistema electrónico realiza la supervisión para garantizar el estado seguro durante el funcionamiento. Si el sistema eléctrico está defectuoso (en caso de cortocircuito, conectores sueltos, rotura de cables) se activan tres señales acústicas consecutivas.

El motor de combustión se apaga; en los modelos RT 6112 ZL y RT 6127 ZL parpadean el símbolo correspondiente y el texto "ERROR" en el display.

### Comportamiento:

- Girar la llave de contacto a la posición de "Motor de combustión apagado". (⇒ 8.1)
- Activar el autodiagnóstico. (⇒ 9.1)



Si no puede solucionarse la anomalía, es necesario llevar a cabo un diagnóstico detallado. Póngase en contacto con su establecimiento especializado. STIHL recomienda los distribuidores especializados STIHL.

## 9.3 Anomalía en el sistema electrónico

Raramente se puede presentar durante el funcionamiento una anomalía en el sistema electrónico. Se activa una señal acústica continua y el motor de combustión se detiene.

### Comportamiento:

- Girar la llave de contacto a la posición de "Motor de combustión apagado". (⇒ 8.1)
- Activar el autodiagnóstico. (⇒ 9.1)

- Volver a arrancar el motor de combustión. (⇒ 13.2)



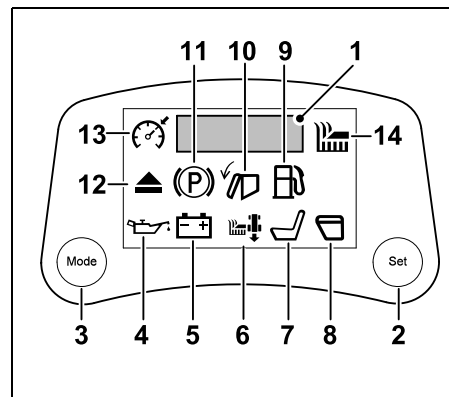
Si no puede solucionarse la anomalía, es necesario llevar a cabo un diagnóstico detallado. Póngase en contacto con su establecimiento especializado. STIHL recomienda los distribuidores especializados STIHL.

## 10. Display RT 6112 ZL, RT 6127 ZL

En el display se indican las anomalías, las informaciones de servicio y las funciones activas.



El display está protegido constructivamente contra daños (p. ej. por agua). En caso de variaciones de temperatura y con elevada humedad ambiental, puede empañarse. La humedad que pudiera entrar desaparece tras poner en servicio el tractor cortacésped durante unos minutos debido al calor del motor de combustión.



- 1 Pantalla de 5 dígitos (⇒ 10.1)
- 2 Tecla Set (⇒ 10.2)
- 3 Tecla Mode (⇒ 10.3)

#### Anomalías (⇒ 10.4)

- 4 Presión de aceite del motor demasiado baja (RT 6127 ZL)
- 5 Anomalía de la batería

#### Información de funcionamiento (⇒ 10.5)

- 6 Corte en marcha atrás:
- 7 Asiento del conductor libre
- 8 Recogedor de hierba abierto o no montado
- 9 Reserva de combustible
- 10 Recogedor de hierba lleno
- 11 Freno de estacionamiento accionado
- 12 Canal de expulsión desmontado

#### Funciones activadas (⇒ 10.6)

- 13 Control de velocidad activo
- 14 Equipo de corte activo

### 10.1 Pantalla de 5 dígitos

La pantalla de 5 dígitos informa sobre las horas de trabajo y la tensión de la batería. Además, señala las anomalías con la indicación ERROR.

Durante el funcionamiento, las horas de trabajo y la tensión de la batería se pueden consultar pulsando la tecla "Mode". (⇒ 10.3)

#### Horas de trabajo:

Indicación de las horas de trabajo del motor de combustión en horas completas (por ejemplo, 281 h).  
El contador de horas de funcionamiento

no se puede resetear.

El contador es la mejor referencia para determinar el momento correcto en que se deben llevar a cabo los trabajos de mantenimiento o de servicio técnico, indicados en el plan de mantenimiento. (⇒ 15.1)

#### Tensión de la batería:

Indicación de la tensión actual de la batería en voltios (p. ej. 12,0 V).

### 10.2 Tecla Set

Pulsando la tecla "Set" durante la indicación de las horas de funcionamiento o la tensión de la batería se cambia a la visualización permanente.



Girando la llave de contacto a la posición "Apagar el motor" se vuelve al ajuste previo (la indicación de horas de trabajo o tensión de la batería se visualiza durante 5 segundos).

### 10.3 Tecla Mode

Pulsando la tecla 'Mode', la indicación del display cambia en el siguiente orden:



- 1 Horas de trabajo [h]
- 2 Tensión de la batería [V]
- 3 sin indicación

Las horas de funcionamiento y la tensión de la batería se indican durante 5 segundos. Para una visualización prolongada, accionar la tecla 'Set'. (⇒ 10.2)

### 10.4 Indicación de anomalías

#### Símbolo **Presión del aceite del motor demasiado baja:**



La presión de aceite necesaria para el correcto funcionamiento del motor de combustión es demasiado baja. El motor de combustión se detendrá en el transcurso de 3 segundos.

#### ! ¡Evitar causar daños en el equipo!

La advertencia de la presión del aceite no es una indicación del nivel de aceite. Por ello se debe comprobar el nivel de aceite en intervalos regulares.

- No intente volver a arrancar el motor.
- Compruebe la existencia de fugas de aceite en el motor de combustión.
- Comprobar el nivel de aceite, rellenar aceite de motor en caso necesario.

#### Símbolo **Anomalía de la batería:**



La tensión de la batería es demasiado baja. La batería es defectuosa o no se carga. En el display se visualiza también la tensión actual en voltios (p. ej. 10,5 V).

El motor de combustión se apaga o no se pone en marcha.

- No intente volver a arrancar el motor.
- Compruebe la tensión de la batería en el display.
- Compruebe los fusibles y sustitúyalos en caso necesario. (⇒ 15.20)
- Compruebe visualmente la existencia de fugas de líquido de la batería.

- Compruebe si hay muestras de corrosión en los contactos de la batería y si están correctamente colocados.
- Cargar la batería. (⇒ 15.21)
- Sustituir la batería defectuosa. (⇒ 15.19)

## 10.5 Indicación de la información de funcionamiento



Si los símbolos no se muestran como se espera o no se apagan como se describe, puede que la causa sea un defecto en el conmutador correspondiente, en las conexiones de enchufe o en los cables. Póngase en contacto con su establecimiento especializado. STIHL recomienda los distribuidores especializados STIHL.

### Símbolo de **Corte en marcha atrás:**



El símbolo se muestra de forma continua si está liberado el corte en marcha atrás.

El símbolo parpadea si se acciona el interruptor de seguridad para corte en marcha atrás o si es necesaria una liberación para el corte en marcha atrás. (⇒ 8.8)

### La indicación desaparece:

- cuando finaliza el corte en marcha atrás.

### Cambio del parpadeo en la indicación permanente:

- cuando está liberado el corte en marcha atrás.

- cuando se desacopla manualmente el equipo de corte dentro de un plazo de tiempo.
- si el equipo de corte se desacopla automáticamente cuando no se ha liberado el corte en marcha atrás.

### Símbolo de **Asiento del conductor libre:**



El asiento del conductor no está ocupado.

El conmutador de contacto del asiento forma parte de los dispositivos de seguridad (⇒ 12.) del tractor cortacésped. Si en el display aparece el símbolo de "Asiento del conductor libre", el motor de combustión no podrá arrancar sin el freno de estacionamiento accionado ni el equipo de corte podrá acoplarse.

### La indicación desaparece:

- si el usuario está sentado en el asiento del conductor.

### Símbolo de **Recogedor de hierba abierto o no montado:**



El recogedor de hierba está abierto, o el recogedor o el deflector (accesorio) no están montados, o no están encajados correctamente. Cuando se vacía el recogedor de hierba también se muestra este símbolo. (⇒ 13.9) Si con el equipo de corte acoplado el recogedor de hierba se levanta (por ejemplo, para vaciarlo), el motor de combustión se apaga por motivos de seguridad.

### La indicación desaparece,

- si el recogedor de hierba se cierra. (⇒ 13.9)

- si el recogedor de hierba o el deflector (accesorio) están montados correctamente. (⇒ 13.10)

### Símbolo de **Reserva de combustible:**



Se ha consumido combustible hasta llegar a la reserva; aún quedan aprox. 2 litros de combustible en el depósito. (⇒ 13.1)

### La indicación desaparece,

- si se reposta combustible.

### Símbolo de **Recogedor de hierba lleno:**



Cuando el recogedor de hierba está lleno, se activa un tono acústico continuo. (⇒ 8.19)

El tono acústico continuo se desactiva tras el desacoplamiento del equipo de corte. (⇒ 13.8)

### La indicación desaparece:

- cuando se vacía el recogedor de hierba.

### Símbolo de **Freno de estacionamiento accionado:**



El freno de estacionamiento está accionado. (⇒ 8.14)

### La indicación desaparece,

- cuando se suelta el freno de estacionamiento.

### Símbolo de **Canal de expulsión desmontado:**



El canal de expulsión se ha desmontado. (⇒ 15.5)

El motor de combustión no se puede arrancar por motivos de seguridad.

**La indicación desaparece:**

- si el canal de expulsión está montado correctamente. (⇒ 15.6)

## 10.6 Indicación de las funciones activas



Si los símbolos no se muestran como se espera o no se apagan como se describe, puede que la causa sea un defecto en el conmutador correspondiente, en las conexiones de enchufe o en los cables. Póngase en contacto con su establecimiento especializado. STIHL recomienda los distribuidores especializados STIHL.

**Símbolo Control de velocidad activo:**



El control de velocidad está activado. (⇒ 8.7)

**La indicación desaparece** cuando se desconecta el control de velocidad.

**Símbolo Equipo de corte activo:**



El equipo de corte está acoplado. (⇒ 8.6)

**La indicación desaparece** cuando se desacopla el equipo de corte.

## 11. Indicaciones para el trabajo



**¡Atención!  
¡Peligro de lesiones!**

Antes de cada puesta en servicio deben tenerse en cuenta todas las informaciones para el manejo seguro del equipo.

Los trabajos en pendientes requieren prestar más atención y tomar unas precauciones especiales.



**Nota**

Antes del trabajo, compruebe la correcta posición de montaje del equipo de corte.

En la primera utilización de su equipo seleccione una superficie llana y, para practicar, siegue en bandas rectas solapándolas ligeramente. El césped debe cortarse preferentemente en estado seco.

**Un césped bonito y tupido se consigue**

- cortando con un alto régimen (acelerador en posición MAX) y una velocidad de desplazamiento lenta.
- cortando a menudo para mantener el césped corto.
- si en climas calurosos y secos no se corta el césped demasiado, puesto que el sol lo quemaría dejándolo feo.
- con cuchillas afiladas. con cuchillas afiladas, por lo que deben afilarse o sustituirse con regularidad.
- modificando la dirección de corte.

**Cortar césped alto**

En caso de hierba muy alta, es mejor cortar la hierba en dos etapas:

- primer corte con nivel de corte máximo, régimen máximo del motor y velocidad de marcha lenta;
- para el segundo corte, seleccionar el nivel de corte deseado y fijar el régimen máximo del motor. Adaptar la velocidad de marcha a las condiciones de la hierba.



**Advertencia: ¡Peligro de incendio!**

Evitar la sobrecarga del rodillo de accionamiento del equipo de corte; una sobrecarga puede hacer que la correa trapezoidal patine de forma continua y provoque una consecuencia un peligro de incendio por sobrecalentamiento.

Los ruidos de funcionamiento inusuales de la correa trapezoidal, como por ejemplo “chirridos” (ruidos abrasivos), dan señales de una sobrecarga. Por tanto, no cortar nunca en hierba alta con el canal de expulsión obstruido o el recogedor de hierba lleno; en caso necesario, utilizar un kit para mulching (accesorio especial).

El equipo de corte debe quedar siempre libre de material inflamable (hierba, hojas, etc.), especialmente en la zona de la correa trapezoidal, y debe limpiarse de forma regular para evitar un posible incendio.

**Evitar obstrucciones en el canal de expulsión**

Si el canal de expulsión estuviese atascado con hierba, reduzca la velocidad. Teniendo en cuenta el estado de la hierba, la velocidad puede ser demasiado elevada. Además, extraer completamente la corredera del sensor de nivel de llenado. (⇒ 8.19)

Si el problema no se soluciona así, es posible que la causa sea que las alas de las cuchillas están dañadas o desgastadas. Sustituir la cuchilla. (⇒ 15.13)

A su vez, limpiar el equipo de corte, el canal de expulsión y la cuchilla tras cada utilización para que no se formen depósitos de hierba. (⇒ 15.2)

### Abonar

Al cortar el césped se le están retirando continuamente nutrientes al suelo, los cuales se le pueden devolver con un abono para céspedes de alta calidad y larga duración. Normalmente son necesarias tres aplicaciones de abono por temporada de corte. Para ello, el césped debe estar seco para que el abono no se pegue a las briznas y las queme. Lo mejor es regar el césped para lavar el abono que se adhiera a las briznas. (Deben tenerse en cuenta las indicaciones de uso del fabricante).

Con hierba cortada es posible abonar el terreno de forma natural. Esto se consigue utilizando el kit para mulching. El kit para mulching está disponible como accesorio especial y no está incluido en el suministro. (Encontrará más información en su Distribuidor especializado STIHL).

### Trabajar cuidando el suelo

Los factores más importantes para un trabajo respetuoso con el suelo son la técnica empleada y la humedad del suelo.

Para lograr un resultado de corte limpio la velocidad de corte debe adaptarse al estado del césped a cortar (altura y densidad) y a la humedad de la hierba.

La conducción en curvas demasiado cerradas aumenta la carga sobre el césped y, especialmente con hierba

húmeda, conlleva pobres resultados de corte, ya que las ruedas se hunden en el terreno blando.

## 12. Dispositivos de seguridad

El equipo cuenta con varios dispositivos de seguridad para un manejo seguro y para evitar un uso inadecuado.



### ¡Peligro de lesiones!

Cuando se detecta un defecto en un dispositivo de seguridad, el equipo no debe ser puesto en marcha. Póngase en contacto con un establecimiento especializado; STIHL recomienda los distribuidores especializados STIHL.

### Para arrancar el motor de combustión, es indispensable que:

- esté montado correctamente el canal de expulsión,
- el pedal de freno esté presionado o el freno de estacionamiento esté accionado.

### El motor de combustión se desconecta cuando el usuario:

- abandona el asiento del conductor con el equipo de corte acoplado,
- inclina o eleva el recogedor de hierba o retira el deflector (accesorio especial) con el equipo de corte acoplado,
- desmonta el canal de expulsión con el equipo de corte desacoplado,
- abandona el asiento del conductor y el freno de estacionamiento no está accionado.

### Freno contra la marcha por inercia de la cuchilla integrado:

RT 5097, RT 5097 Z, RT 5112 Z, RT 6112 ZL:

Después del desacoplamiento, las cuchillas se detienen después de **5 segundos** como máximo.

RT 6127 ZL:

Después del desacoplamiento, las cuchillas se detienen después de **7 segundos** como máximo.



Después de acoplar el equipo de corte, las cuchillas giran y se puede oír un ruido de viento.

El tiempo de postfuncionamiento se corresponde con la duración del ruido de viento después del desacoplamiento y puede medirse con un cronómetro.

Para comprobar el freno contra la marcha por inercia de la cuchilla integrado, hay que medir la duración del ruido de viento después del desacoplamiento con un cronómetro.

RT 5097, RT 5097 Z, RT 5112 Z, RT 6112 ZL:

Si se superan 5 segundos: consultar a un distribuidor especializado STIHL.

RT 6127 ZL:

Si se superan 7 segundos: consultar a un distribuidor especializado STIHL.

## 13. Poner el equipo en servicio

### ⚠ ¡Peligro de lesiones!

Antes de la puesta en servicio, leer detenidamente el capítulo completo "Para su seguridad" y tener en cuenta sus indicaciones. (⇒ 4.)

Por motivos de seguridad, el equipo no se debe utilizar en pendientes con una inclinación superior a 10° (17,6 %).

17,6 % de pendiente equivalen a una subida vertical de 17,6 cm en una superficie horizontal de 100 cm.

- Familiarícese antes de la puesta en servicio con los elementos de mando del equipo. (⇒ 8.)
- Tenga en cuenta antes de la puesta en servicio el plan de mantenimiento y lleve a cabo los trabajos que sean necesarios. (⇒ 15.1)
- Antes de cada puesta en servicio, deben comprobarse los dispositivos de seguridad: (⇒ 12.)  
El tractor cortacésped no se puede poner en servicio si falta algún dispositivo de seguridad o si estos están dañados, puenteados o se han modificado.

### 13.1 Repostar combustible

**Capacidad máxima del depósito:**  
9 litros



### Recomendación:

Combustible nuevo de marca; consultar los datos sobre la calidad del combustible (octanaje) en el manual de instrucciones del motor de combustión.

- Gasolina sin plomo.

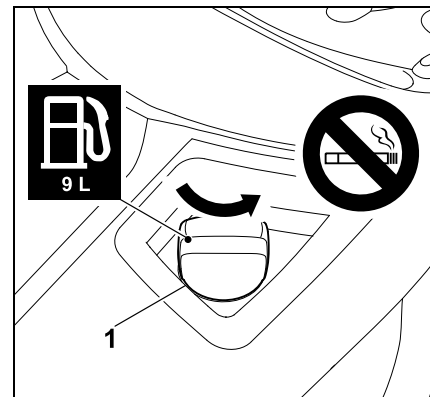
### Proceso de llenado:

- Apagar el motor de combustión y dejar que se enfríe (tibio al tacto). (⇒ 13.3)
- Accionar el freno de estacionamiento. (⇒ 8.14)

**i** Para evitar que se derrame combustible, habría que utilizar un embudo adecuado (no incluido en el suministro).

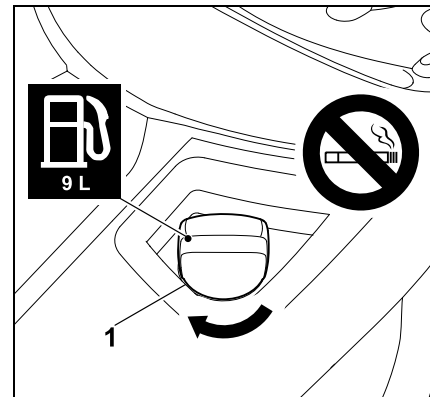
Llenar el combustible lentamente y con precaución. Para evitar un desbordamiento, habría que dividir el proceso de llenado en varias fases. Entre las diferentes fases de llenado, retirar el embudo y controlar visualmente el nivel de llenado del depósito. Cuanto más combustible se haya llenado, tanto más pequeñas deberían ser las cantidades de llenado por fase. No llenar el depósito de combustible jamás hasta por encima del borde inferior de la boca de llenado, para que el combustible tenga espacio para expandirse.

### Tapón del depósito:



Desenroscar y retirar el tapón del depósito (1) (observar la dirección de la flecha).

- Rellenar combustible con ayuda de un embudo apropiado (no incluido en el suministro) (ver proceso de llenado).



Colocar y enroscar el tapón del depósito (1) (observar la dirección de la flecha). Apretar seguidamente el tapón del depósito (1) con la mano.

- Limpiar el combustible derramado con un trapo seco y dejar que se evapore durante un tiempo, antes de arrancar el motor de combustión.

---

### 13.2 Arrancar el motor de combustión



#### ¡Evitar causar daños en el equipo!

Si el motor de combustión no arranca inmediatamente, realizar pausas entre los diferentes intentos de arranque.

No girar la llave de contacto hasta la posición "Arrancar el motor de combustión" durante más de 10 segundos.



El motor de combustión sólo se pone en marcha si el canal de expulsión está correctamente montado. (⇒ 15.6)

#### Antes del arranque:

- Compruebe el nivel de aceite del motor. (⇒ 15.8)
- Libere el equipo de corte y el compartimento del motor de restos de hierba.
- Compruebe el combustible y reposte según sea necesario. (⇒ 13.1)
- Antes de cada puesta en marcha debe comprobar el funcionamiento de los frenos. (⇒ 13.5)
- Lleve a cabo todos los ajustes personales (regulación del asiento del conductor) necesarios en el equipo. No lo haga si el motor de combustión está en marcha.
- No arranque el equipo si se encuentran personas, especialmente niños, o animales en las cercanías.

#### Secuencia de arranque:

- Abrir el paso de combustible. (⇒ 15.7)
- Sentarse en el asiento del conductor.
- Antes del procedimiento de arranque, pisar el pedal del freno hasta el tope y mantenerlo pisado o accionar el freno de estacionamiento. (⇒ 8.13), (⇒ 8.14)
- Introducir la llave de contacto en el contacto de encendido y girarla a la posición de "Encendido conectado". (⇒ 8.1)
- **Motor de combustión frío:**  
RT 5097:  
Colocar el acelerador en la posición de estárter. (⇒ 8.2)  
RT 5097 Z, RT 5112 Z, RT 6112 ZL, RT 6127 ZL:  
Colocar el acelerador en la posición MAX y tirar del botón del estárter. (⇒ 8.3), (⇒ 8.4)
- **Motor de combustión caliente:**  
Colocar el acelerador en la posición MAX. (⇒ 8.2), (⇒ 8.3)
- Girar la llave de contacto a la posición "Arrancar el motor de combustión". El motor de combustión se pone en marcha. Tan pronto el motor de combustión se haya puesto en marcha, soltar la llave de contacto. La llave saltará de nuevo a la posición "Motor de combustión en marcha".
- RT 5097:  
Volver a colocar el acelerador en la posición MAX cuando el motor de combustión esté funcionando.  
¡Tener en cuenta la posición de enclavamiento! (⇒ 8.2)  
RT 5097 Z, RT 5112 Z, RT 6112 ZL, RT 6127 ZL:  
Presionar el botón del estárter. (⇒ 8.4)

- Cuando el motor de combustión está funcionando se puede quitar el pie del pedal del freno o soltar el freno de estacionamiento.

---

### 13.3 Apagar el motor de combustión

- Frene el equipo hasta que éste se detenga completamente.
- Desacople el equipo de corte. (⇒ 8.5), (⇒ 8.6)
- Coloque el acelerador en la posición-MIN. (⇒ 8.2), (⇒ 8.3)
- Girar la llave de contacto a la posición de "Motor de combustión apagado". El motor de combustión se apaga.
- Accionar el freno de estacionamiento. (⇒ 8.14)
- Cierre el paso del combustible en caso necesario. (⇒ 15.7)
- Retirar la llave de contacto y guardarla en un lugar seguro.

---

### 13.4 Desplazamiento



#### ¡Advertencia!

En terrenos accidentados debe seleccionarse siempre una marcha corta.

Antes de cada cambio de dirección de desplazamiento, y sobre todo en pendientes, reducir la velocidad de manera correspondiente.





### ¡Evitar que la máquina sufra daños!

Hay que desplazarse siempre con el motor de combustión girando a un régimen máximo para garantizar una refrigeración óptima de la caja de cambios. Por tanto, la velocidad de desplazamiento debe regularse solo con el pedal de tracción y no con el acelerador.

#### Antes del desplazamiento:

- Acoplar la palanca de (des)acoplamiento de la caja de cambios. (⇒ 8.18)
- RT 5112 Z, RT 6112 ZL, RT 6127 ZL: Con el equipo de corte desmontado, presionar la palanca del dispositivo de tensado de la correa trapezoidal hacia delante y fijarla. (⇒ 14.1)
- Arrancar el motor de combustión. (⇒ 13.2)

#### Desplazamiento hacia delante:

- Seleccionar la dirección de desplazamiento hacia delante. (⇒ 8.9)
- Soltar el freno de estacionamiento (si estuviera accionado). (⇒ 8.14)
- Accionar el pedal de tracción. La máquina se pone en movimiento hacia delante. (⇒ 8.12)

#### Desplazamiento hacia atrás:

- Seleccionar la dirección de desplazamiento hacia atrás. (⇒ 8.9)
- Soltar el freno de estacionamiento (si estuviera accionado). (⇒ 8.14)
- Accionar el pedal de tracción. La máquina se pone en movimiento hacia atrás. (⇒ 8.12)

### Marcha adelante con control de velocidad (RT 6112 ZL, RT 6127 ZL):

- Con el equipo de corte desmontado, presionar la palanca del dispositivo de tensado de la correa trapezoidal hacia delante y fijarla. (⇒ 14.1)
- Arrancar el motor de combustión. (⇒ 13.2)
- Colocar el acelerador en la posición MAX. (⇒ 8.3)
- Colocar la palanca selectora de la dirección de marcha en la posición delantera (dirección de desplazamiento hacia delante). (⇒ 8.9)
- Soltar el freno de estacionamiento (si estuviera accionado). (⇒ 8.14)
- Pisando el pedal de tracción se regula la velocidad de desplazamiento y el equipo se pone en movimiento hacia adelante.
- **Activar el control de velocidad:** Mantener la velocidad de desplazamiento deseada y pulsar la tecla del control de velocidad durante 1 segundo. (⇒ 8.7)  
El control de velocidad está activado cuando se visualiza en el display el símbolo "Control de velocidad activo" y el pedal de tracción está fijado en una posición.  
Con el control de velocidad activado se puede aumentar la velocidad de desplazamiento pisando el pedal de tracción.
- Se puede quitar el pie del pedal de tracción.

- **Desactivar el control de velocidad:** Accionar el pedal del freno o presionar la tecla del control de velocidad. (⇒ 8.7)  
El control de velocidad está desactivado si en el display no aparece el símbolo "Control de velocidad activo".

---

### 13.5 Frenar

- Reducir la velocidad de marcha soltando el pedal de tracción. Evite el frenado abrupto a plena velocidad de marcha. (⇒ 8.12)
- Pise uniformemente el pedal de freno hasta que el equipo se detenga. (⇒ 8.13)

---

### 13.6 Ajustar la altura de corte



#### ¡Peligro de lesiones!

Ajustar la altura de corte únicamente con el tractor cortacésped detenido.

- Frenar la máquina hasta que se detenga completamente.
- Desbloquear la palanca de ajuste de la altura de corte y ajustar la altura de corte deseada. (⇒ 8.15)

<b>Nivel 1</b>	Altura de corte mínima
<b>Nivel 8</b>	Altura de corte máxima



### RT 5112 Z, RT 6112 ZL, RT 6127 ZL:

STIHL recomienda montar ambas ruedas palpadoras en la posición más baja. En su posición más baja, las ruedas palpadoras aumentan la distancia del equipo de corte al suelo y posibilitan así una conducción óptima del aire. El resultado es una mejor calidad de corte y una mayor capacidad de recogida.

## 13.7 Corte



Si el equipo de corte se acopla durante la marcha, se reduce por breves instantes el régimen del motor de combustión debido a la carga adicional (arranque de las cuchillas).

### Antes del corte:

- Tener en cuenta las indicaciones del capítulo "Indicaciones para el trabajo". (⇒ 11.)
- Durante el proceso de corte debe ajustarse siempre el régimen del motor al máximo. La cuchilla está optimizada para estas revoluciones y gracias a ellas se logra la mejor calidad de corte y el efecto de remolino óptimo para recoger el material cortado.

### Acoplar el equipo de corte siguiendo este procedimiento:

- Arrancar el motor de combustión. (⇒ 13.2)
- Coloque el acelerador en la posición MAX. (⇒ 8.2), (⇒ 8.3)

- Conducir el tractor cortacésped sobre la superficie de hierba a cortar. No acoplar el equipo de corte en hierba alta o en el nivel más bajo de corte. Acople el equipo de corte sólo cuando el equipo ya se encuentre sobre la superficie de césped a cortar.

### • Corte hacia adelante:

Seleccionar la dirección de marcha hacia adelante: (⇒ 8.9) y a continuación acoplar el equipo de corte pulsando el interruptor o la tecla del equipo de corte. (⇒ 8.5), (⇒ 8.6)

### Corte marcha atrás:

Seleccionar la dirección de marcha hacia detrás (⇒ 8.9) y accionar brevemente el interruptor de seguridad para corte en marcha atrás (⇒ 8.8) y, a continuación, acoplar el equipo de corte pulsando el interruptor o la tecla del equipo de corte en un intervalo de 6 segundos. (⇒ 8.5), (⇒ 8.6)

### Durante el proceso de corte:

- Coloque el acelerador en la posición MAX. (⇒ 8.2), (⇒ 8.3)
- Adapte siempre la velocidad de marcha a la altura de la hierba o al nivel de corte. En caso de una hierba alta o un nivel de corte más bajo, seleccione una velocidad de marcha pequeña.



Un tono acústico continuo indica que el recogedor de hierba está lleno. (⇒ 13.9)

### Cambio de la dirección de marcha con el equipo de corte acoplado:

- Para el **corte en marcha atrás** accionar brevemente el interruptor de seguridad para corte en marcha atrás en el intervalo de tiempo previsto (5 segundos antes o 1 segundo después del cambio). (⇒ 8.8)
- Detener el equipo en la superficie de césped y ajustar la dirección de marcha deseada con la palanca selectora de la dirección de marcha. (⇒ 8.9)
- Continuar proceso de corte.

### Desacoplar el equipo de corte siguiendo este orden:

- Conduzca sobre una superficie ya cortada o seleccione el nivel de corte máximo. (⇒ 8.15)
- Desacople el equipo de corte pulsando el interruptor o la tecla del equipo de corte. (⇒ 8.5), (⇒ 8.6)



### ¡Peligro de lesiones!

Tras desacoplar el equipo de corte debe tenerse en cuenta que sigue girando hasta la completa detención de la cuchilla durante un máximo de 7 segundos. (⇒ 12.)

## 13.8 Programación del desacoplamiento automático del equipo de corte

El embrague de cuchillas electromagnético se puede programar de tal manera que, cuando el recogedor de hierba se llene completamente, se desacople automáticamente el equipo de corte. Esto aumenta la comodidad del manejo, ya que así se puede evitar la obstrucción del canal de expulsión.



- Apagar el motor de combustión. (⇒ 13.3)
- Girar la llave de contacto a la posición de "Encendido conectado". (⇒ 8.1)
- Esperar a que se ejecute el autodiagnóstico del sistema electrónico; no pulsar ninguna tecla.

#### Activación del desacoplamiento automático:

- Accionar simultáneamente el interruptor de seguridad para corte en marcha atrás y el pedal de tracción durante 5 segundos.  
Una señal acústica breve indica que el servicio automático está conectado.
- El ajuste actual se memoriza de forma permanente.

#### Desactivación del desacoplamiento automático:

- Colocar la palanca selectora en la dirección de marcha hacia delante.
- Accionar simultáneamente el interruptor de seguridad para corte en marcha atrás y el pedal de tracción durante 5 segundos.  
3 señales acústicas breves consecutivas indican que el servicio automático está desconectado.
- El ajuste actual se memoriza de forma permanente.

#### Programación del desacoplamiento automático con la tecla "Mode" (solo en RT 6112 ZL, RT 6127 ZL):

- Colocar la palanca selectora en la dirección de marcha hacia delante.

- Accionar la tecla "Mode" mientras se mantiene pulsada la tecla del equipo de corte; el desacoplamiento automático se activa o desactiva con la tecla "Mode" (el display indica ON u OFF).
- El ajuste actual se memoriza de forma permanente.

#### Comprobar la programación (solo en RT 6112 ZL, RT 6127 ZL):

- Pulsar y mantener pulsada la tecla del equipo de corte. En el display aparece el símbolo de "Equipo de corte activo" y el texto ON u OFF.  
**ON** – Con el recogedor de hierba lleno se desacopla automáticamente el equipo de corte.  
**OFF** – Con el recogedor de hierba lleno no se desacopla automáticamente el equipo de corte.

### 13.9 Vaciar el recogedor de hierba



#### ¡Peligro de lesiones!

El recogedor de hierba solo debe vaciarse sobre una superficie llana, ya que al bascular hacia arriba el recogedor se modifica el centro de gravedad y aumenta el riesgo de vuelco.



Un tono acústico continuo durante el proceso de corte señala que el recogedor de hierba está completamente lleno y debe vaciarse.  
Tras el desacoplamiento del equipo de corte deja de sonar el tono acústico continuo.  
En los modelos RT 6112 ZL y RT 6127 ZL aparece en el display el símbolo "Recogedor de hierba lleno" cuando el recogedor está lleno. (⇒ 10.5)

#### Si el recogedor de hierba no se llena completamente, tenga en cuenta los siguientes puntos:

- Ajuste el sensor de nivel de llenado (recogedor de hierba) correctamente. (⇒ 8.19)
- Compruebe la existencia de obstrucciones en el canal de expulsión al vaciar el recogedor de hierba y elimínelas si fuera necesario.
- Compruebe la existencia de daños o desgaste en las alas de las cuchillas y sustitúyalas si fuera necesario. (⇒ 15.13)

#### Vaciar el recogedor de hierba:

- Desacople el equipo de corte. (⇒ 8.5), (⇒ 8.6)  
El tono acústico continuo deja de sonar.
- Seleccionar el nivel de corte más alto. (⇒ 8.15)
- Conduzca el equipo al lugar en el que debe vaciarse el material cortado.
- Saque la palanca de vaciado del recogedor de hierba y presiónela hacia adelante. (⇒ 8.16)  
El recogedor de hierba gira hacia arriba y el material cortado cae hacia abajo.
- En caso necesario, desplazar el recogedor de hierba ligeramente hacia adelante con el recogedor de hierba completamente desplegado.
- Sacuda ligeramente el recogedor de hierba para que caiga todo el material cortado.
- Lleve la palanca de vaciado del recogedor de hierba lentamente hacia atrás y haga que el recogedor de hierba vuelva a enclavar en la pared posterior.

- Vuelva a soltar la palanca de vaciado del recogedor de hierba y presiónela hacia abajo hasta que vuelva a encontrarse en la posición inicial introducida.

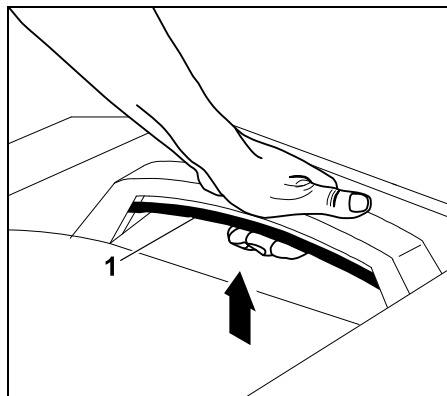
### 13.10 Retirar y enganchar el recogedor de hierba

Antes de retirar el recogedor deben tenerse en cuenta los siguientes puntos:

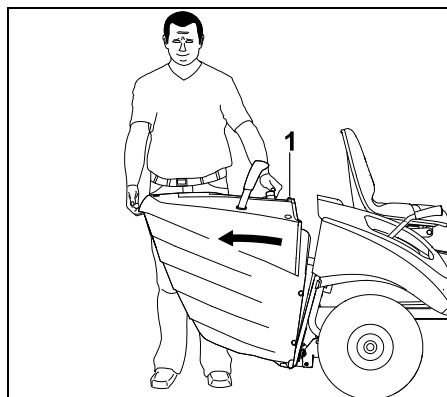
- Desacople el equipo de corte. (⇒ 8.5), (⇒ 8.6)
- Vaciar el recogedor de hierba. (⇒ 13.9)
- Accionar el freno de estacionamiento. (⇒ 8.14)
- Apagar el motor de combustión. (⇒ 13.3)

**i** Al retirar y enganchar el recogedor de hierba, la palanca de desbloqueo del recogedor de hierba debe mantenerse siempre en la posición de desbloqueo hasta que el recogedor se haya retirado o enganchado completamente.

#### Retirar el recogedor de hierba:

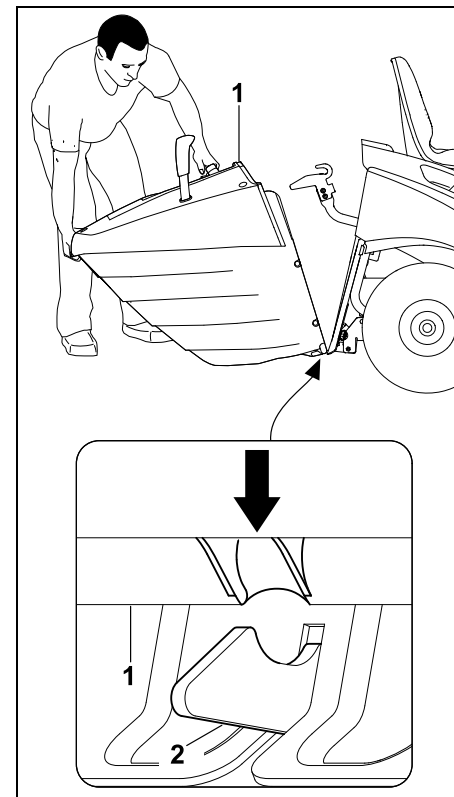


Tirar de la palanca de desbloqueo del recogedor de hierba (1) hacia arriba y mantenerla en esta posición.



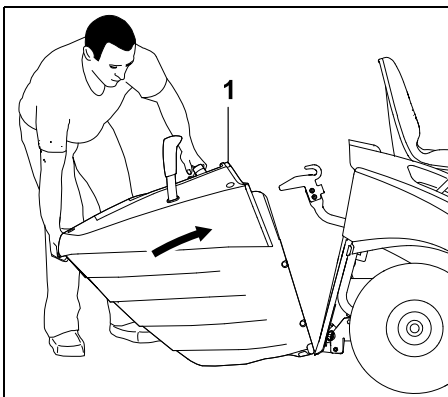
Retirar el recogedor de hierba (1).

#### Enganchar el recogedor de hierba:



Colocar el recogedor de hierba (1) en los dos ganchos de encaje (2) de la pared posterior.

- Accionar la palanca de desbloqueo del recogedor de hierba y manténgala en esta posición. (⇒ 8.17)



Cerrar el recogedor de hierba (1) hasta el tope.

- Soltar la palanca de desbloqueo del recogedor de hierba y comprobar que el recogedor de hierba enclave. (⇒ 8.17)

**i** Si se quiere poner en marcha el equipo sin recogedor de hierba o deflector (accesorio) no es posible acoplar el equipo de corte. En este caso, el motor de combustión se apaga automáticamente.

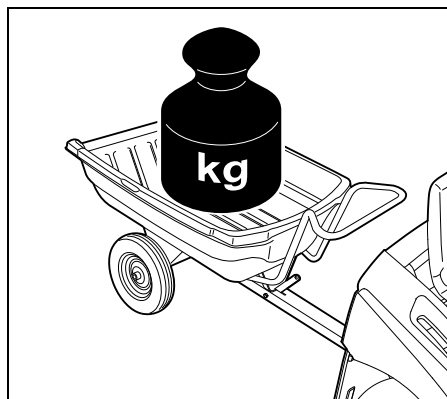
### 13.11 Remolcar cargas

**!** **¡Peligro de lesiones!** Al transportar cargas, las propiedades de conducción de la máquina cambian (p. ej., los recorridos de frenado son más largos). ¡Cuanto más pesada sea la carga más cambian las propiedades de conducción! Por ello al remolcar cargas se debe seleccionar siempre una velocidad de marcha baja.

**!** **Evitar que la máquina sufra daños!**

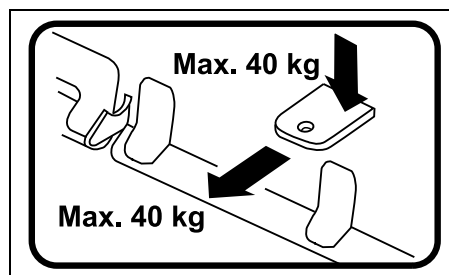
En las pendientes se reduce la carga de tracción máxima autorizada.

- Antes de enganchar cargas se debe comprobar el funcionamiento de los frenos. (⇒ 13.5)



Peso máximo del remolque sobre una superficie plana = **250 kg**

Peso máximo del remolque en una pendiente máxima de 10° = **100 kg**



Carga de apoyo máxima = **40 kg**  
Carga de tracción máxima = **40 kg**

**i** Una carga de tracción de 40 kg en el enganche de remolque se alcanza sobre una superficie plana al tirar de un remolque con un peso de 250 kg.

### 13.12 Servicio en pendientes

- Antes de cada puesta en marcha en una pendiente compruebe el funcionamiento de los frenos. (⇒ 13.5)
- Recorrer las pendientes en dirección longitudinal. El desplazamiento en sentido transversal incrementa el riesgo de vuelco. Tener en cuenta la pendiente máxima. (⇒ 4.7)
- Si no puede evitarse cambiar de dirección en las pendientes, los cambios de dirección inevitables deben llevarse a cabo con especial precaución.

## 14. Equipo de corte

### 14.1 Desmontar el equipo de corte

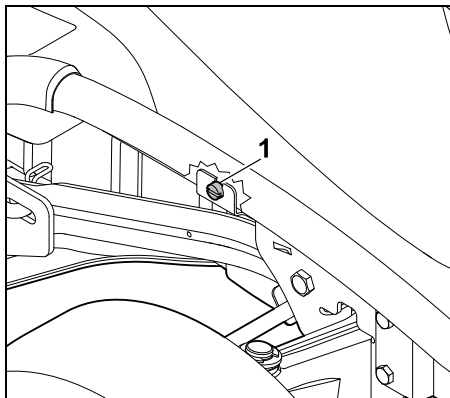
**!** **¡Peligro de lesiones!** Antes de realizar cualquier trabajo en el equipo de corte, hay que leer detenidamente y tener en cuenta el capítulo "Para su seguridad". (⇒ 4.)

Durante el desmontaje del equipo existe el **peligro de aplastamiento** debido a su propio peso. Por tanto, asegúrese de que no coloca ninguna parte de su cuerpo (dedo, mano, pie, etc.) directamente debajo del equipo de corte.

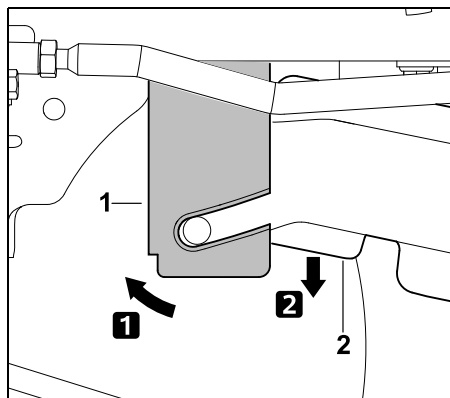
- Estacionar el equipo en una superficie llana y firme.

- Girar las ruedas delanteras hasta el tope a la izquierda o la derecha.
- Apagar el motor de combustión.  
(⇒ 13.3)
- Extraer la llave del contacto.
- Accionar el freno de estacionamiento.  
(⇒ 8.14)
- Seleccionar el nivel de corte más bajo.  
(⇒ 13.6)
- Retirar el recogedor de hierba.  
(⇒ 13.10)
- Desmontar el canal de expulsión.  
(⇒ 15.5)

### Soltar la cubierta de la correa trapezoidal:

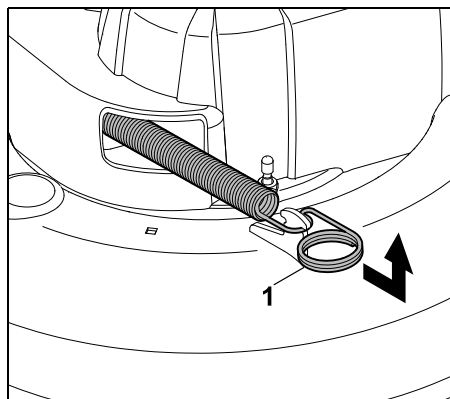


Desenroscar el tornillo (1) por detrás de la rueda delantera derecha hasta que quede suelto.



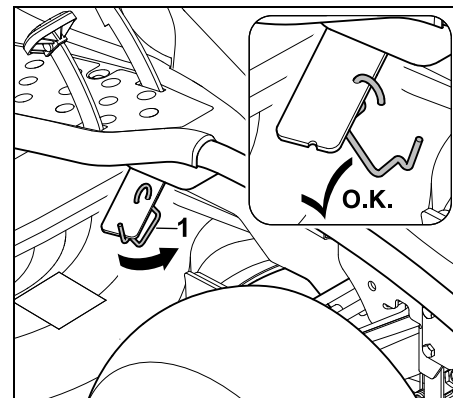
Presionar la chapa soporte (1) hacia adelante y mantenerla en esta posición. Bascular la cubierta de la correa trapezoidal (2) hacia abajo.

### Destensar la correa trapezoidal (RT 5097, RT 5097 Z):

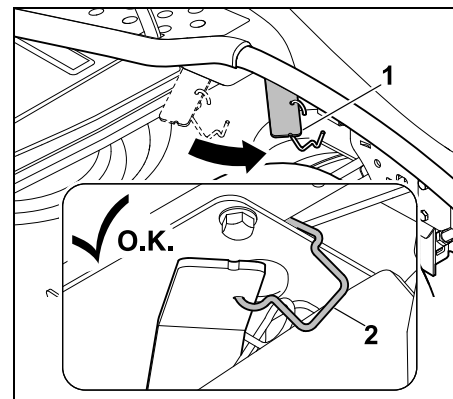


Tirar del muelle tensor (1) hacia delante, desengancharlo y depositarlo.

### Destensar la correa trapezoidal (RT 5112 Z, RT 6112 ZL, RT 6127 ZL):



Desenganchar el estribo de fijación (1) de la palanca del dispositivo de tensado de la correa trapezoidal.



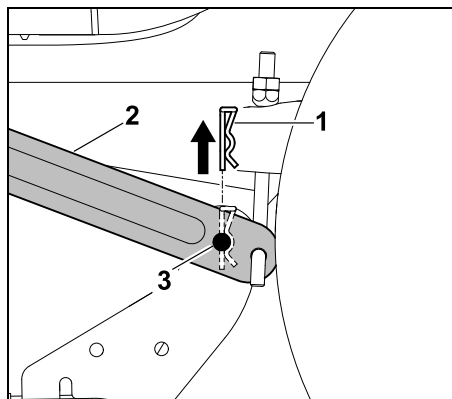
Presionar la palanca del dispositivo de tensado de la correa trapezoidal (1) hacia delante y mantenerla sujeta. Enganchar el estribo de fijación (2) en el chasis, como se muestra en la ilustración. Asegurarse de que la palanca del dispositivo de tensado de la correa trapezoidal quede fijada en la posición delantera.

## Desenganchar el equipo de corte por la parte trasera:



### ¡Peligro de lesiones!

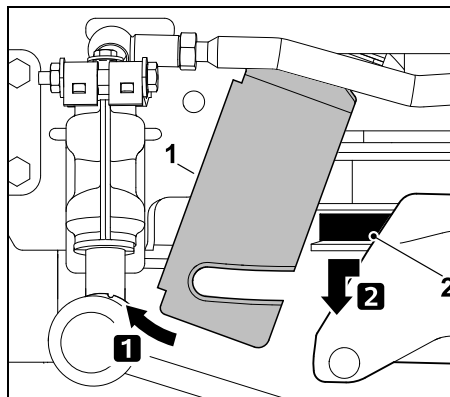
Después de desenganchar el equipo de corte, la palanca de ajuste de la altura de corte se encuentra bajo tensión. Por ello hay que colocarla cuidadosamente en el nivel de corte más alto inmediatamente después de desenganchar el equipo de corte.



Extraer el pasador de seguridad (1) tirando de él hacia arriba. Elevar ligeramente y sujetar el equipo de corte. Presionar la barra de fijación (2) hacia fuera y sacar el perno de fijación (3).

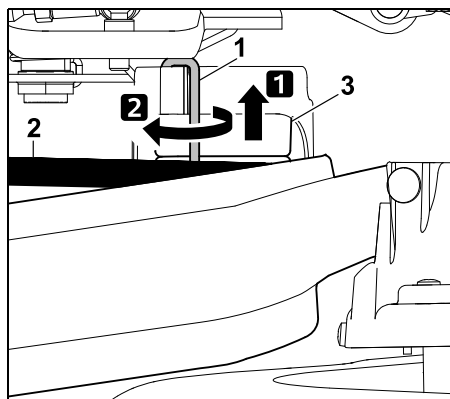
- Repetir el procedimiento en el otro lado.
- Depositar el equipo de corte lentamente y con precaución.

## Desenganchar la correa trapezoidal:



Presionar la chapa soporte (1) hacia delante y mantenerla en esta posición. Tirar de la correa trapezoidal (2) hacia delante y desengancharla.

### Soltar la correa trapezoidal del rodillo tensor (RT 5112 Z, RT 6112 ZL, RT 6127 ZL):

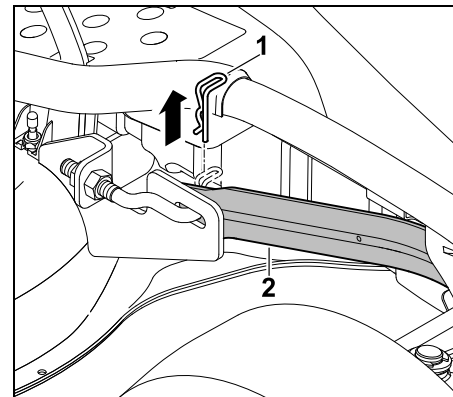


Presionar el pasador de seguridad (1) aprox. 0,5 cm hacia arriba y girarlo 180°. Desenganchar la correa trapezoidal (2) del rodillo tensor (3).



Una vez desenganchada la correa trapezoidal, girar el pasador de seguridad a su posición inicial y presionarlo hacia abajo hasta que haga tope y encaje en la cubierta. Comprobar la fijación correcta del pasador de seguridad recién encajado.

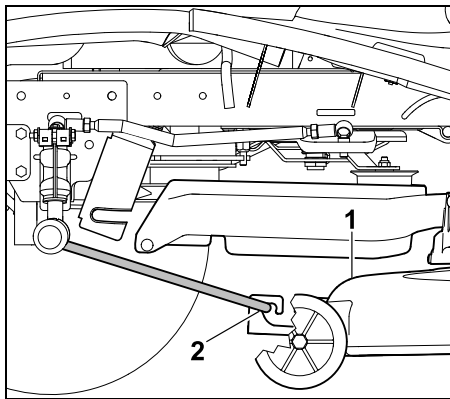
## Desenganchar el equipo de corte por la parte delantera (RT 5097, RT 5097 Z):



Quitar el pasador de seguridad (1). Elevar ligeramente el equipo de corte y soltarlo de su barra de fijación delantera (2). Soltar el equipo de corte con precaución.

- Repetir el procedimiento en el otro lado.
- Depositar el equipo de corte lentamente y con precaución.

**Desenganchar el equipo de corte por la parte delantera (RT 5112 Z, RT 6112 ZL, RT 6127 ZL):**

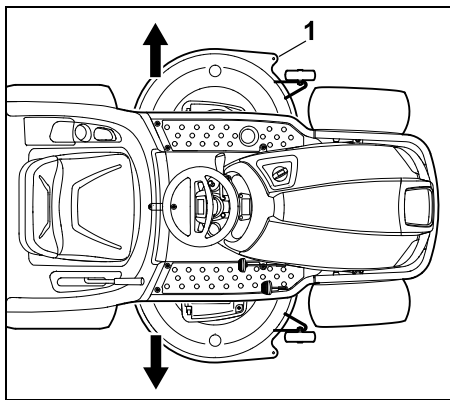


Desplazar el equipo de corte (1) paralelamente hacia delante y desengancharlo de la barra de fijación delantera (2). La barra de fijación se pliega automáticamente hacia arriba.

- Depositar el equipo de corte lentamente y con precaución.

**Sacar el equipo de corte:**

- Seleccionar el nivel de corte más alto.



Sacar el equipo de corte (1) por la izquierda o la derecha por debajo del tractor cortacésped.

## 14.2 Montar el equipo de corte



**¡Peligro de lesiones!**

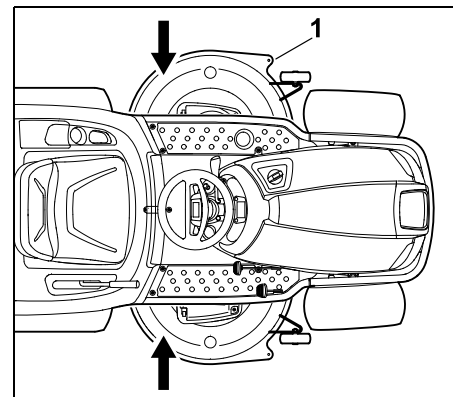
Antes de realizar cualquier trabajo en el equipo de corte, hay que leer detenidamente y tener en cuenta el capítulo "Para su seguridad". (⇒ 4.)

Durante el montaje del equipo existe el **peligro de aplastamiento** debido a su propio peso. Por tanto, asegúrese de que no coloca ninguna parte de su cuerpo (dedo, mano, pie, etc.) directamente debajo del equipo de corte.

- Estacionar el equipo en una superficie llana y firme.
- Girar las ruedas delanteras hasta el tope a la izquierda o la derecha.
- Apagar el motor de combustión. (⇒ 13.3)
- Extraer la llave del contacto.
- Accionar el freno de estacionamiento. (⇒ 8.14)
- Seleccionar el nivel de corte más alto. (⇒ 13.6)
- Retirar el recogedor de hierba. (⇒ 13.10)
- Desmontar el canal de expulsión. (⇒ 15.5)

**Introducir el equipo de corte:**

- Posicionar la correa trapezoidal en la abertura de la cubierta de la correa trapezoidal de manera que sea accesible y se pueda enganchar.



Desplazar el equipo de corte (1) por la izquierda o la derecha por debajo del tractor cortacésped.

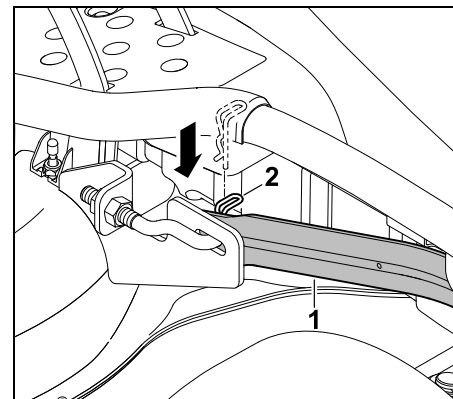
- Seleccionar el nivel de corte más bajo.



**¡Peligro de lesiones!**

En el nivel de corte más bajo, la palanca de ajuste de la altura de corte se encuentra bajo tensión. No tocar la palanca de ajuste de la altura de corte mientras se monta el equipo de corte.

**Enganchar el equipo de corte por la parte delantera (RT 5097, RT 5097 Z):**

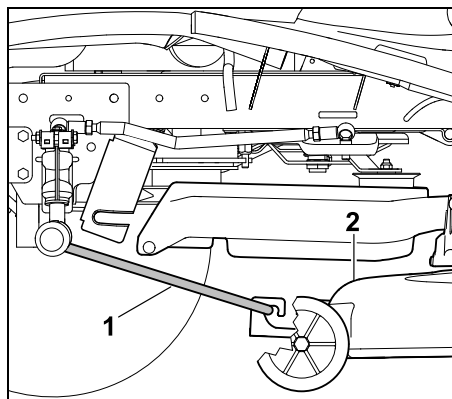




Tirar de la barra de fijación delantera del equipo de corte (1) hacia abajo y mantenerla en esta posición. Elevar el equipo de corte ligeramente con una mano e introducir al mismo tiempo el perno de fijación del equipo de corte en el orificio de la barra de fijación delantera (1). Introducir el pasador de seguridad (2) por el orificio en el perno de fijación.

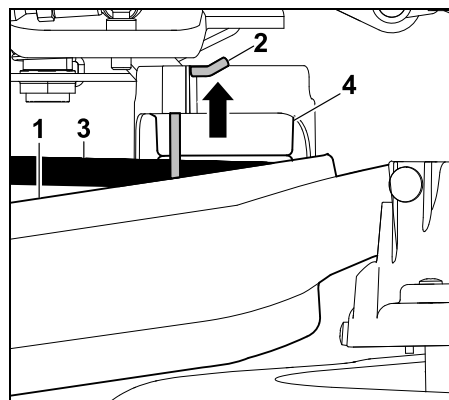
- Repetir el procedimiento en el otro lado.

**Enganchar el equipo de corte por la parte delantera (RT 5112 Z, RT 6112 ZL, RT 6127 ZL):**

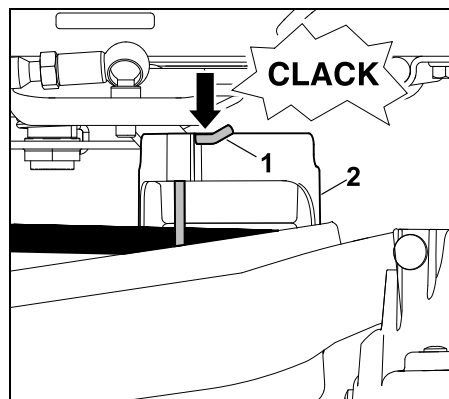


Llevar hacia abajo la barra de fijación delantera del equipo de corte (1) y engancharla en el equipo de corte (2), como se muestra en la ilustración. Desplazar el equipo de corte (2) hacia atrás y fijar de este modo la barra de fijación delantera (1) en el equipo de corte.

**Enganchar la correa trapezoidal en el rodillo tensor RT 5112 Z, RT 6112 ZL, RT 6127 ZL:**



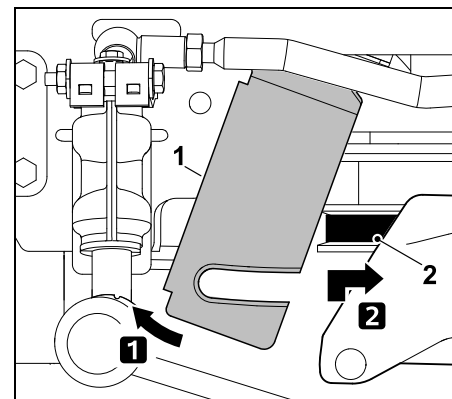
Presionar la cubierta (1) hacia abajo y mantenerla en esta posición. Desplazar el pasador de seguridad (2) aprox. 0,5 cm hacia arriba. Enganchar la correa trapezoidal (3) en el rodillo tensor (4).



Presionar el pasador de seguridad (1) hasta el tope hacia abajo. El pasador de seguridad (1) debe encajar en la cubierta (2).

**i** Comprobar el posicionamiento correcto y seguro del pasador de seguridad.

**RT 5097, RT 5097 Z, RT 5112 Z, RT 6112 ZL, RT 6127 ZL:**

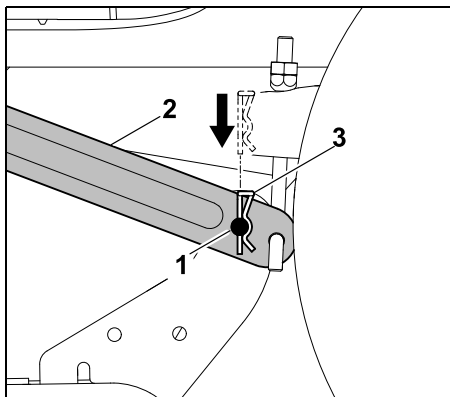


Presionar la chapa soporte (1) hacia delante y mantenerla en esta posición. Tirar de la correa trapezoidal (2) hacia delante y elevarla junto con su cubierta. Enganchar la correa trapezoidal (2) debidamente (sin torsiones) en su polea.

**Enganchar el equipo de corte por la parte trasera:**

**i** Antes del enganche, controlar si el equipo de corte está enganchado correctamente en la barra de fijación delantera del equipo de corte.

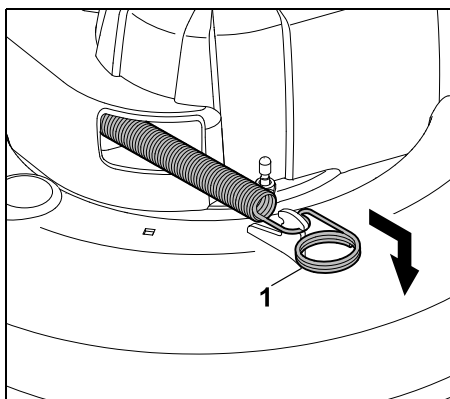
- Elevar y sujetar el equipo de corte con una mano. Los orificios de la barra de fijación y los pernos de fijación del equipo de corte deben quedar alineados.



Colocar el perno de fijación (1) en el orificio de la barra de fijación (2). Introducir el pasador de seguridad (3) desde arriba por los orificios de los pernos de fijación y hacer que encajen.

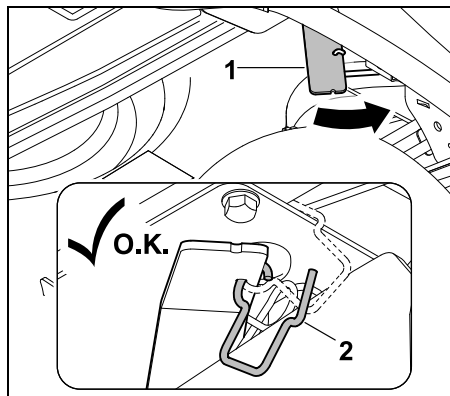
- Repetir el procedimiento en el otro lado.

#### Tensar la correa trapezoidal (RT 5097, RT 5097 Z):

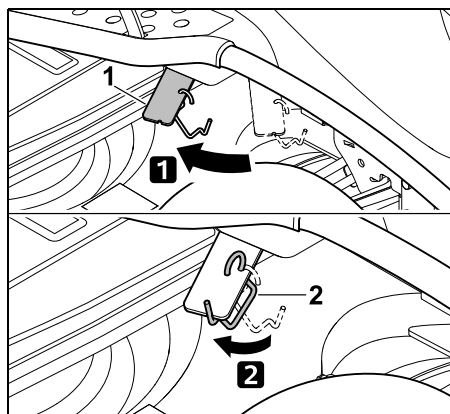


Tirar del muelle tensor (1) hacia delante y engancharlo en el equipo de corte, como se muestra en la ilustración.

#### Tensar la correa trapezoidal (RT 5112 Z, RT 6112 ZL, RT 6127 ZL):

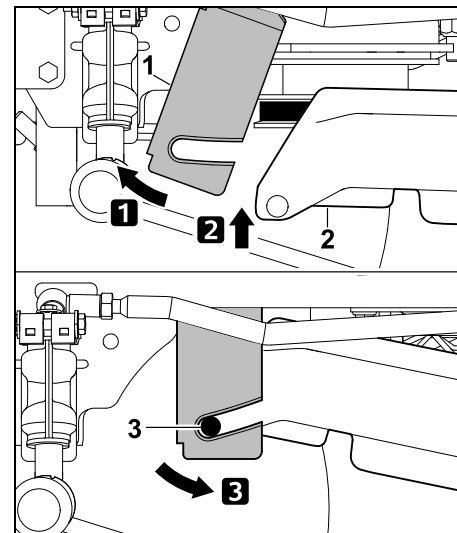


Presionar la palanca del dispositivo de tensado de la correa trapezoidal (1) hacia delante y mantenerla sujeta. Desenganchar el estribo de fijación (2).

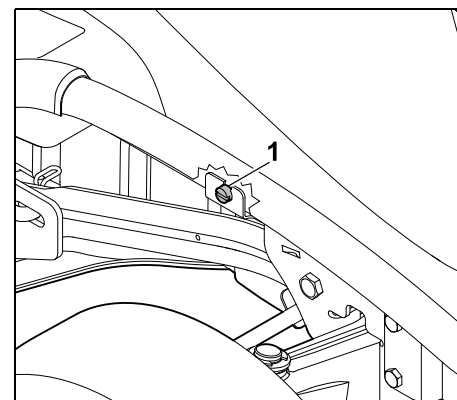


Tensar la correa trapezoidal soltando la palanca del dispositivo de tensado (1). Enganchar el estribo de fijación (2) en la palanca del dispositivo de tensado de la correa trapezoidal (1) tal como se muestra en la ilustración.

#### Montar la cubierta de la correa trapezoidal:



Presionar la chapa soporte (1) hacia adelante y mantenerla en esta posición. Bascular la cubierta de la correa trapezoidal (2) hacia arriba. Guiar la chapa soporte (1) hacia atrás y engancharla en las dos pestañas (3) de la cubierta de la correa trapezoidal.



Apretar la chapa soporte con el tornillo (1).

- Montar el canal de expulsión. (⇒ 15.6)

## 15. Mantenimiento



### ¡Peligro de lesiones!

Antes de realizar cualquier trabajo de mantenimiento y reparación, leer detenidamente y tener en cuenta el capítulo "Para su seguridad", especialmente el subcapítulo "Mantenimiento y reparaciones". (⇒ 4.)

Retirar la llave de contacto para evitar que el motor de combustión arranque accidentalmente.



Trabajar solamente con guantes protectores.



No tocar nunca las cuchillas mientras no estén detenidas.

Por motivos de seguridad está prohibido realizar trabajos de mantenimiento en los frenos. Los trabajos de ajuste y mantenimiento deben ser llevados a cabo exclusivamente por un establecimiento especializado. STIHL recomienda los distribuidores especializados STIHL.

### Indicaciones generales sobre el mantenimiento:

- Observar estrictamente el plan de mantenimiento y los intervalos de mantenimiento.

- Tener en cuenta el plan de mantenimiento y los trabajos de mantenimiento en el manual de instrucciones del motor de combustión.

### Antes de realizar cualquier trabajo de mantenimiento, reparación o limpieza:

- Estacionar el equipo en una superficie llana y firme.
- Apagar el motor de combustión. (⇒ 13.3)
- Accionar el freno de estacionamiento. (⇒ 8.14)
- Dejar que el motor de combustión y el silenciador se enfríen por completo.

### Consultar los siguientes trabajos de mantenimiento y reparación en el "Manual de instrucciones del motor de combustión":

- Cambiar el filtro de aire.
- Datos sobre el aceite de motor (tipo, cantidad de aceite, etc.).
- Comprobar y sustituir la bujía de encendido.
- Sustituir el filtro de combustible.
- Limpieza del motor de combustión.

### 15.1 Plan de mantenimiento

Deben respetarse estrictamente todas las indicaciones en el plan de mantenimiento. La no observancia del plan de mantenimiento puede tener como consecuencia importantes daños en el equipo.



### Nota

En caso de condiciones de trabajo duras, como especialmente las derivadas de un uso profesional, pueden ser necesarios unos intervalos de mantenimiento más cortos de los aquí indicados. Además, condiciones exteriores extremas como, por ejemplo, un suelo arenoso o pedregoso, polvo, etc., pueden hacer necesarios unos intervalos de mantenimiento más cortos que los indicados en el manual de instrucciones. Cada 100 horas de trabajo o una vez al año se debe encargar a un establecimiento especializado que realice una inspección del equipo. STIHL recomienda los distribuidores especializados STIHL.

### Indicación de las horas de trabajo (RT 6112 ZL, RT 6127 ZL):

Para poder cumplir los distintos intervalos de mantenimiento de forma exacta, los tractores cortacésped RT 6112 ZL, RT 6127 ZL están equipados con un contador de horas de trabajo. Las horas de trabajo se muestran en horas completas.

- Con el **motor de combustión apagado**, girar la llave de contacto a la posición de "Encendido conectado". (⇒ 8.1)  
Las horas de trabajo se muestran en el display durante 5 segundos. (⇒ 10.1)
- Con el **motor de combustión encendido**, pulsar la tecla "Mode". (⇒ 10.3)  
Las horas de trabajo se muestran en el display durante 5 segundos.

### Trabajos de mantenimiento antes de cada puesta en servicio:

Para lograr un servicio seguro y de gran rendimiento y para evitar anomalías, es importante conocer el estado del equipo.

Para ello es necesario realizar las siguientes comprobaciones antes de cada inicio de las tareas (comprobación visual).

- Presión de neumáticos. (⇒ 15.16)
- Desgaste y daños en los neumáticos.
- Estanqueidad de las tuberías conductoras de combustible.
- Nivel de aceite del motor (véase el Manual de instrucciones del motor de combustión).
- Nivel de combustible.
- Control visual general del aparato y del equipo de corte. De manera especial debe comprobarse si existen daños en las cubiertas protectoras.
- Firme asiento de las uniones roscadas.

### Trabajos de mantenimiento tras cada puesta en servicio:

- Limpiar todo el equipo (con el equipo de corte, el canal de expulsión, el recogedor de hierba) y todos los aparatos acoplados.
- Observar las indicaciones para la limpieza del motor (véase el manual de instrucciones del motor de combustión).
- Retirar de la caja de cambios los restos de hierba o demás suciedad.
- Comprobar las aletas de refrigeración del motor de combustión y la caja de cambio hidrostática y limpiarlos si es necesario.

### Trabajos de mantenimiento después de las primeras 10 horas de trabajo (primera puesta en servicio):

- Se recomienda la realización de una revisión por un establecimiento especializado.  
STIHL recomienda los distribuidores especializados STIHL.

### Trabajos de mantenimiento tras cada 25 horas de trabajo:

- Comprobar las fijaciones y el límite de desgaste de las cuchillas.
- Comprobar la posición de montaje de las cuchillas (RT 5112 Z, RT 6112 ZL, RT 6127 ZL).

### Trabajos de mantenimiento después de cada 50 horas de trabajo:

- Verificar la posición de montaje del equipo de corte. (⇒ 15.14)

### Trabajos de mantenimiento después de cada 100 horas de trabajo:

- Cambio de las cuchillas.
- Mantenimiento de la correa trapezoidal y la correa dentada.
- El equipo debe ser inspeccionado por un establecimiento especializado.  
STIHL recomienda los distribuidores especializados STIHL.



Durante la inspección se realizan todos los trabajos de mantenimiento necesarios en el sistema de frenos y en la caja de cambios.

## 15.2 Limpiar el equipo



**¡Evitar causar daños en el equipo!** No proyectar nunca chorros de agua sobre piezas del motor, juntas, componentes eléctricos (batería, mazo de cables, etc.) y cojinetes. Podrían producirse daños y costosas reparaciones.

No utilizar productos de limpieza agresivos. Estos pueden dañar el plástico y el metal, lo que podría afectar al funcionamiento seguro de su equipo STIHL. Si la suciedad no puede eliminarse con agua, con un cepillo o con un paño, STIHL recomienda utilizar un limpiador especial (p. ej., el limpiador especial STIHL).



Desmontar siempre el equipo de corte para realizar trabajos de limpieza y mantenimiento.

- Apagar el motor de combustión. (⇒ 13.3)
- Accionar el freno de estacionamiento. (⇒ 8.14)
- Retirar la llave de contacto y guardarla en un lugar seguro.
- Desmontar el equipo de corte. (⇒ 14.1)
- Soltar previamente los restos de hierba de la carcasa del equipo de corte con un palo de madera.
- Limpiar la parte inferior del equipo de corte con agua y un cepillo.

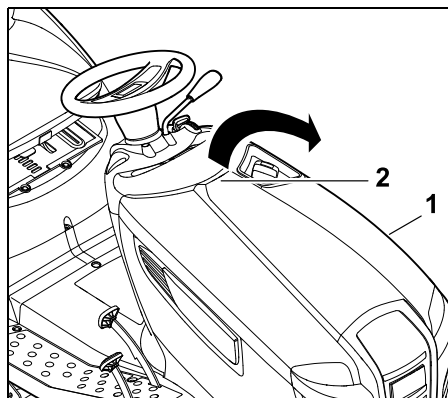
- Al limpiar la parte superior del equipo de corte con agua, asegurarse de no mojar la correa trapezoidal ni la correa dentada. No proyectar nunca chorros de agua sobre las aberturas de las cubiertas.
- Limpiar el canal de expulsión desmontado y alejado del equipo con agua corriente y un cepillo.
- Liberar el equipo de corte (lado superior e inferior), el compartimento del motor y la caja de cambios de restos de hierba. Limpiar las aletas de refrigeración del motor de combustión y la caja de cambios.
- Limpiar las cuchillas con un cepillo y agua. No golpear nunca las cuchillas para retirar la suciedad (p. ej., con un martillo).
- Retirar el recogedor de hierba y limpiarlo alejado del equipo con agua corriente y un cepillo. (⇒ 13.10)

### 15.3 Abrir el capó del motor



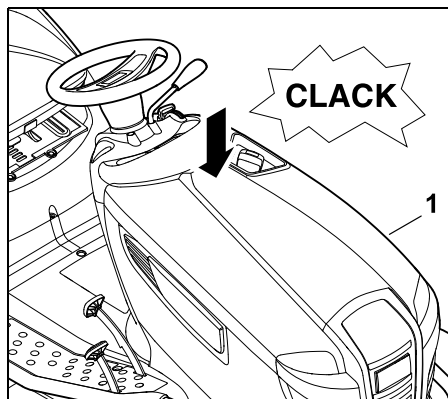
#### ¡Peligro de quemaduras!

Abrir el capó del motor únicamente con el motor de combustión frío.



Agarrar el capó del motor (1) con una mano por el asidero (2) y abrirlo con un ligero tirón hacia arriba. Abatir el capó del motor (1) hacia adelante hasta que haga tope.

### 15.4 Cerrar el capó del motor



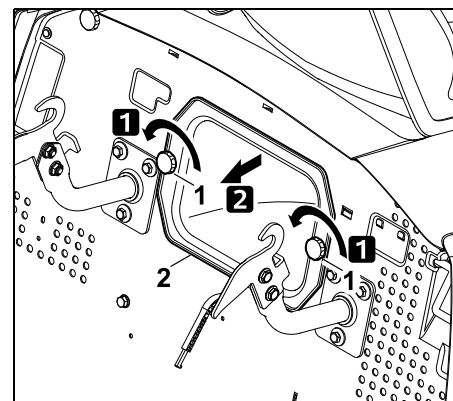
Cerrar el capó del motor (1) con precaución y lentamente, y dejar que enclave.

### 15.5 Desmontar el canal de expulsión

Para limpiar el canal de expulsión, es posible desmontarlo sin herramientas adicionales. El motor de combustión no se puede arrancar con el canal de expulsión desmontado.

**Antes del desmontaje deben tenerse en cuenta los siguientes puntos:**

- Apagar el motor de combustión. (⇒ 13.3)
- Retirar la llave de contacto y guardarla en un lugar seguro.
- Accionar el freno de estacionamiento. (⇒ 8.14)
- Retirar el recogedor de hierba. (⇒ 13.10)



Desenroscar las tuercas de fijación (1) y extraer el canal de expulsión (2).



En los modelos RT 6112 ZL y RT 6127 ZL aparece en el display el símbolo de "Canal de expulsión desmontado" si la llave de contacto se gira a la posición de "Luces encendidas" o "Encendido conectado". (⇒ 10.5)

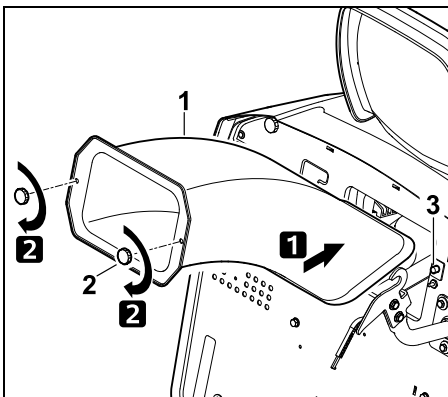
## 15.6 Montar el canal de expulsión



En cada limpieza o montaje del canal de expulsión, compruebe también el sensor de nivel de llenado (recogedor de hierba) y límpielo si fuera necesario.

**Antes del montaje deben tenerse en cuenta los siguientes puntos:**

- Accionar el freno de estacionamiento. (⇒ 8.14)
- Retirar el recogedor de hierba. (⇒ 13.10)
- Seleccionar el nivel de corte más bajo.



Introduzca el canal de expulsión (1) hasta el tope. Al introducirlo debe tenerse en cuenta que el canal de expulsión debe tapar completamente por todos los lados la abertura de expulsión del equipo de corte.

Enroscar y apretar las tuercas de fijación (2).



### ¡Advertencia!

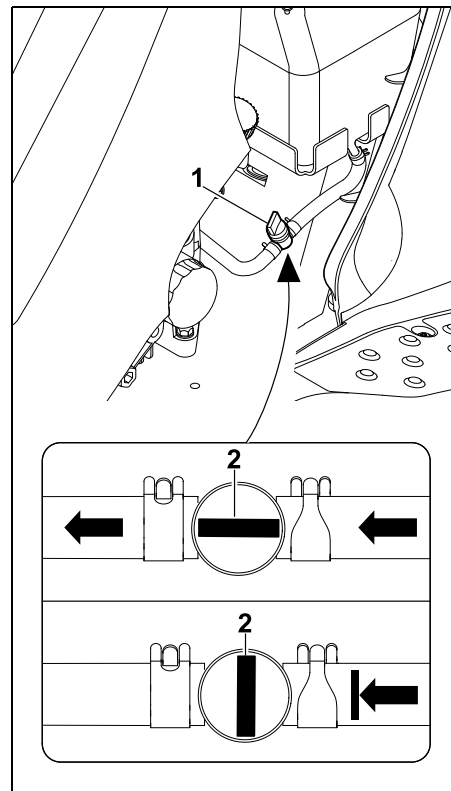
El canal de expulsión forma parte de las cubiertas protectoras. El tractor cortacésped no debe ponerse en servicio si el canal de expulsión está dañado. Al montar el canal de expulsión, procure que el conmutador de contacto (3) esté accionado.

## 15.7 Llave de paso de combustible

Mediante la apertura o el cierre de la llave de paso de combustible se abre o se interrumpe el flujo de combustible a la tubería de combustible.

La llave de paso de combustible se encuentra a la izquierda debajo del depósito de combustible.

- Apagar el motor de combustión. (⇒ 13.3)
- Accionar el freno de estacionamiento. (⇒ 8.14)



La llave de paso de combustible (1) se abre o se cierra girando la válvula de ajuste (2).

## 15.8 Controlar el nivel de llenado de aceite de motor

- Colocar el equipo sobre una superficie lisa y recta.
- Apagar el motor de combustión. (⇒ 13.3)
- Accionar el freno de estacionamiento. (⇒ 8.14)

- Dejar que el motor de combustión se enfríe.
- Abrir el capó del motor. (⇒ 15.3)
- Comprobar el nivel de llenado según el Manual de instrucciones del motor de combustión. En caso necesario, rellenar aceite del motor. (⇒ 15.10)

## 15.9 Cambiar el aceite del motor



### ¡Peligro de lesiones!

Antes de rellenar el aceite del motor o antes de cambiarlo, dejar que se enfríe el motor de combustión.

Peligro de quemaduras por la elevada temperatura del motor.

La información sobre el aceite de motor descrito y la cantidad de aceite se puede consultar en el Manual de instrucciones del motor de combustión.

Realizar el cambio de aceite con el motor de combustión tibio. Colocar un recipiente colector de aceite adecuado (tener en cuenta la cantidad de aceite del motor) bajo el tubo de purga de aceite del motor. Eliminar el aceite usado de acuerdo con la legislación vigente.

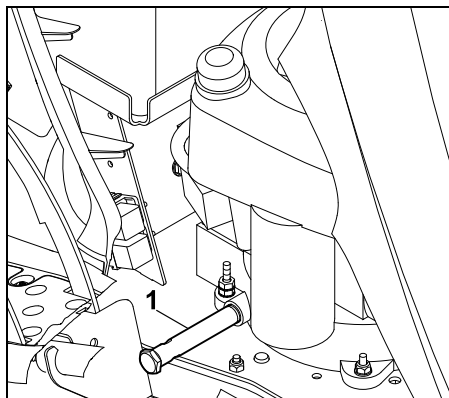
### Intervalos de cambio de aceite:

Los intervalos recomendados para el cambio de aceite se encuentran en el Manual de instrucciones del motor de combustión.

### Purgar el aceite del motor:

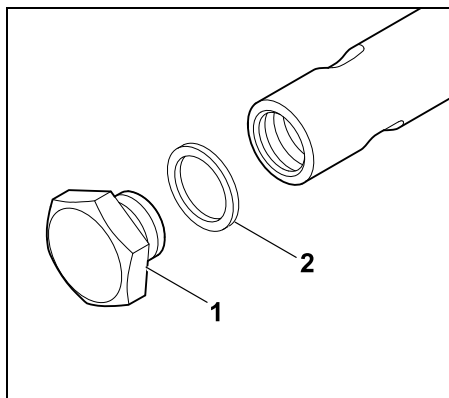
- Apague el motor de combustión. (⇒ 13.3)
- Accione el freno de estacionamiento. (⇒ 8.14)
- Retire la llave de contacto y guárdela en un lugar seguro.

- Deje que el motor de combustión se enfríe (tibio al tacto).
- Abra el capó del motor. (⇒ 15.3)
- Desenrosque el tapón de llenado de aceite (vea el Manual de instrucciones del motor de combustión).



El tubo de purga de aceite (1) se encuentra en el lado derecho del motor de combustión, cerca de los dos pedales.

- Coloque debajo un recipiente de recogida de aceite adecuado.



Desenrosque y retire el tapón de vaciado de aceite (1) con la ayuda de dos llaves de boca (entrecaras 19 y 15). Deseche el anillo de junta (2).

- Purgue completamente el aceite del motor.  
Seguidamente coloque el nuevo anillo de junta (2) sobre el tapón de vaciado de aceite (1). Enrosque el tapón de vaciado de aceite en el tubo de purga de aceite y apriételo a un par de **12 - 14 Nm**.

## 15.10 Rellenar aceite del motor



### ¡Evitar causar daños en el equipo!

Procure que el nivel de aceite del motor no sea nunca ni insuficiente ni excesivo.

- Abrir el capó del motor. (⇒ 15.3)
- Controlar el nivel de llenado del aceite de motor. (⇒ 15.8)
- Llenar el aceite de motor siguiendo el manual de instrucciones del motor de combustión. Utilizar una tolva adecuada.
- Cerrar el capó del motor. (⇒ 15.4)

---

## 15.11 Verificar los dispositivos de seguridad



### ¡Peligro de lesiones!

Los dispositivos de seguridad sólo pueden ser comprobados desde el asiento del conductor.

Además, no debe encontrarse ninguna persona, especialmente niños, ni animales en las cercanías. Las funciones de todos los dispositivos de seguridad deben comprobarse al menos una vez al mes.

Tras largos periodos de interrupción del servicio, en el caso de equipos que se utilizan con poca frecuencia o tras realizar reparaciones deben comprobarse siempre todos los dispositivos de seguridad antes de volver a poner el equipo en servicio.

### Comprobar el conmutador de contacto del freno:

- Siéntese en el asiento del conductor.
- Apagar el motor de combustión y dejar que se pare. (⇒ 13.3)
- Soltar el freno de estacionamiento y **no** accionar el pedal del freno.
- Girar la llave de contacto a la posición "Arrancar el motor de combustión". (⇒ 8.1)

### Si funciona el conmutador de contacto del freno no puede arrancarse el motor de combustión.

### Comprobar el conmutador de contacto de asiento:

- Siéntese en el asiento del conductor.

- Arrancar el motor de combustión (⇒ 13.2) y dejarlo funcionar a un régimen máximo. (⇒ 8.2), (⇒ 8.3)
- Acoplar el equipo de corte. (⇒ 8.5), (⇒ 8.6)
- Liberar el asiento del conductor levantándose lentamente y con cuidado. No bajarse.

### Si el conmutador de contacto del asiento funciona, el motor de combustión se apagará.

### Comprobar el conmutador de contacto del recogedor de hierba:

- Siéntese en el asiento del conductor.
- Arrancar el motor de combustión (⇒ 13.2) y dejarlo funcionar a un régimen máximo. (⇒ 8.2), (⇒ 8.3)
- Acoplar el equipo de corte. (⇒ 8.6), (⇒ 8.6)
- Bascular hacia arriba (vaciar) el recogedor de hierba desde el asiento del conductor con ayuda de la palanca de vaciado del recogedor de hierba. (⇒ 13.9)

### Con el conmutador de contacto del recogedor de hierba en funcionamiento, se apaga el motor de combustión y se desacopla el equipo de corte.

### Comprobar el conmutador de contacto del canal de expulsión:

- Desmontar el canal de expulsión (⇒ 15.5) y a continuación volver a colgar el recogedor de hierba. (⇒ 13.10)
- Siéntese en el asiento del conductor.

- Pise el pedal de freno a fondo y manténgalo pisado. (⇒ 8.13)
- Girar la llave de contacto a la posición "Arrancar el motor de combustión". (⇒ 8.1)

### Si funciona el conmutador de contacto del canal de expulsión no puede arrancarse el motor de combustión.

### Comprobar el interruptor de seguridad para corte en marcha atrás:

- Sentarse en el asiento del conductor. **No** accionar el interruptor de seguridad de corte en marcha atrás.
- Arrancar el motor de combustión (⇒ 13.2) y dejarlo funcionar a un régimen máximo. (⇒ 8.2), (⇒ 8.3)
- Acoplar el equipo de corte. (⇒ 8.5), (⇒ 8.6)
- Seleccionar la dirección hacia atrás y ponerlo en marcha. (⇒ 8.9)

### Si el interruptor de seguridad de corte en marcha atrás está en funcionamiento, el equipo de corte se desacopla tras 1 segundo.

---

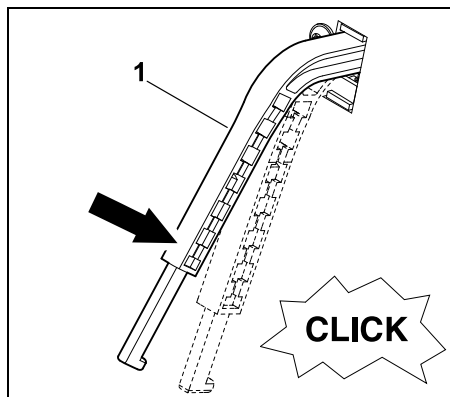
## 15.12 Limpiar el sensor de nivel de llenado (recogedor de hierba)

El sensor de nivel de llenado (recogedor de hierba) puede ensuciarse al entrar en contacto con material de corte mojado o húmedo. Si esto ocurre, la consecuencia es un funcionamiento afectado. Como prevención, el sensor de nivel de llenado se debe limpiar tras cada corte o cada vez que se limpie el canal de expulsión.

- Apagar el motor de combustión. (⇒ 13.3)



- Retirar la llave de contacto y guardarla en un lugar seguro.
- Accionar el freno de estacionamiento. (⇒ 8.14)
- Retirar el recogedor de hierba. (⇒ 13.10)



Presione ligeramente el sensor de nivel de llenado (recogedor de hierba) (1) hacia abajo. Al hacerlo el sensor de nivel de llenado debe dejarse desplazar ligeramente y debe oírse un "clic" del conmutador.

Al soltar el sensor de nivel de llenado, este debe volver hacia arriba a la posición inicial por sí solo.

- Cuando no hay facilidad de movimiento o hay suciedad, limpiar el sensor de nivel de llenado con precaución con un cepillo – No utilizar agua.

### 15.13 Mantenimiento de las cuchillas



#### ¡Peligro de lesiones!

Trabajar solamente con guantes protectores. En caso de que no disponga de los conocimientos o de los medios auxiliares necesarios, póngase **siempre** en contacto con un distribuidor especializado (STIHL recomienda los distribuidores especializados STIHL). No tocar nunca las cuchillas mientras no estén detenidas. Colocar el equipo de corte siempre sobre una superficie no deslizante.



#### Intervalo de mantenimiento:

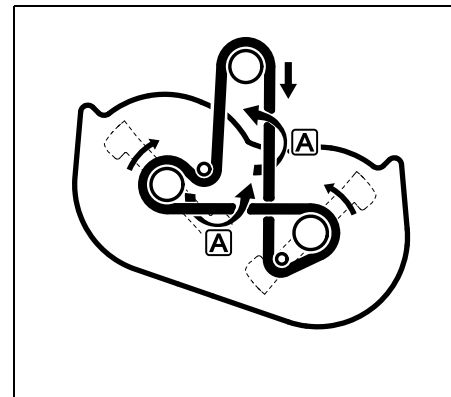
Cada 25 horas de trabajo

#### Trabajos de mantenimiento:

- Controlar los límites de desgaste de las cuchillas.
- RT 5112 Z, RT 6112 ZL, RT 6127 ZL: Comprobar la posición de montaje de las cuchillas.

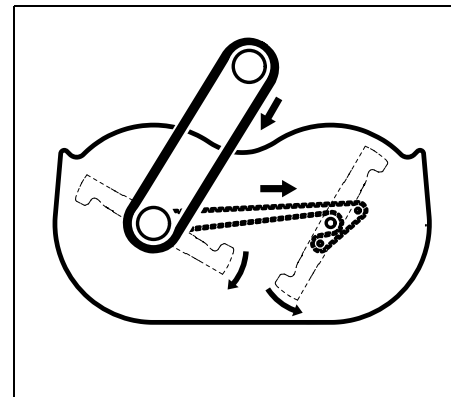
- En caso necesario (debido a un peor resultado de corte), reafilarse o cambiar las cuchillas.

#### Recorrido de la correa trapezoidal y dirección de giro de las cuchillas en los modelos RT 5097, RT 5097 Z:



La correa trapezoidal siempre gira 180° según la doble desviación en las posiciones **A**.

#### Recorrido de correa trapezoidal o correa dentada y dirección de giro de las cuchillas en los modelos RT 5112 Z, RT 6112 ZL, RT 6127 ZL:



**i** Todos los trabajos de mantenimiento y control de la correa dentada quedan reservados a los distribuidores especializados STIHL.

### Comprobar los límites de desgaste de las cuchillas:

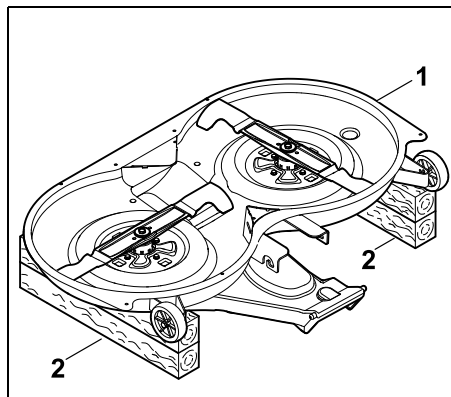
**! Peligro de lesiones!**  
Una cuchilla desgastada puede romperse y causar lesiones graves. Por ello deben cumplirse las indicaciones para el mantenimiento de las cuchillas. Las cuchillas se desgastan con diferente intensidad dependiendo del lugar de utilización y del tiempo de servicio. Si se utiliza el equipo en terrenos arenosos o a menudo bajo condiciones de sequedad, las cuchillas sufren un mayor esfuerzo y se desgastan con una rapidez superior al promedio.

#### ¡Atención!

Al sustituir la cuchilla hay que renovar **siempre** también el **tornillo de cuchilla** y la **arandela de seguridad**.

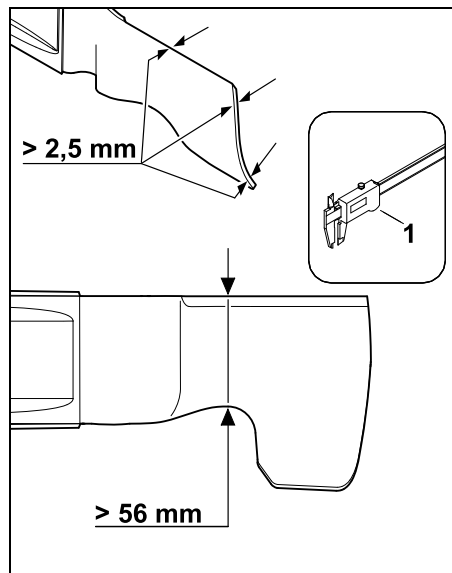
**i** STIHL recomienda desmontar el equipo de corte cuando se controlen los límites de desgaste. Si se dispone de una plataforma elevadora adecuada pueden comprobarse los límites de desgaste de la cuchilla también con el equipo de corte montado.

- Desmontar el equipo de corte. (⇒ 14.1)



Girar el equipo de corte (1) y colocarlo sobre bases de madera (2) suficientemente largas y altas (aprox. 20 cm) con las cuchillas orientadas hacia arriba.

- Limpiar minuciosamente el equipo de corte y las cuchillas. (⇒ 15.2)



Las cuchillas deben tener un grosor mínimo de **2,5 mm** y una anchura mínima de **56 mm** en su punto más angosto.

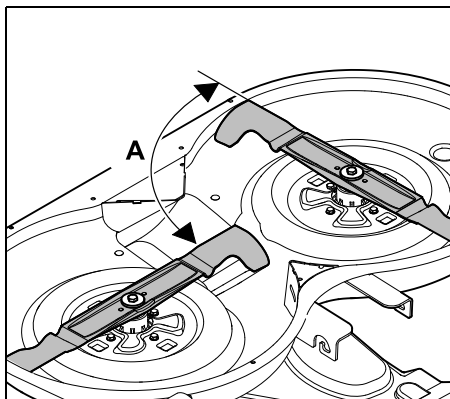
Comprobar el **grosor** de ambas cuchillas en diferentes puntos con ayuda de un pie de rey (1). Comprobar el **grosor** de ambas cuchillas en la posición mostrada con ayuda de un pie de rey (1). Sustituir la cuchilla si ya no se alcanzan los valores prescritos en un punto.

### Comprobar la posición de montaje de las cuchillas (RT 5112 Z, RT 6112 ZL, RT 6127 ZL):

**! Peligro de lesiones!**  
Para que las cuchillas no se toquen en el proceso de corte, deben montarse desplazadas la una de la otra en un ángulo de aprox. 90°. El equipo de corte no se debe acoplar si los filos se encuentran entre sí en un ángulo diferente. En caso necesario hay que acudir a un establecimiento especializado. STIHL recomienda los distribuidores especializados STIHL.

**i** STIHL recomienda desmontar el equipo de corte cuando se controle la posición de montaje. Si se dispone de una plataforma elevadora adecuada puede comprobarse la posición de montaje de las cuchillas también con el equipo de corte montado.

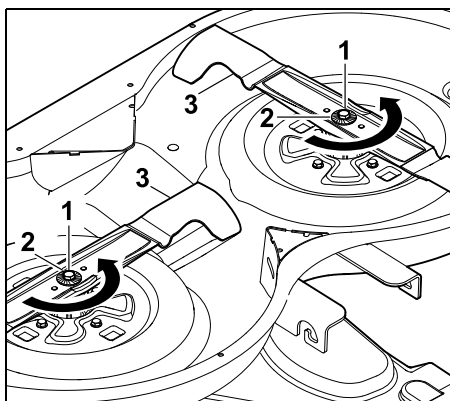
- En caso necesario, colocar el equipo de corte en el suelo sobre dos bases de madera apropiadas.



Girar las cuchillas tal como se muestra en la ilustración, y comprobar el ángulo **A** (aprox. 90°) de los filos entre sí.

#### Desmontar una cuchilla:

- Desmontar el equipo de corte (⇒ 14.1)
- Colocar el equipo de corte en el suelo sobre bases de madera apropiadas.



Aflojar y desenroscar el tornillo de cuchilla (1) con una llave 17 (no incluida en el suministro). Al soltar el tornillo de cuchilla, sujetar la cuchilla. Retirar el tornillo de cuchilla (1) con la arandela de seguridad (2) y la cuchilla (3).

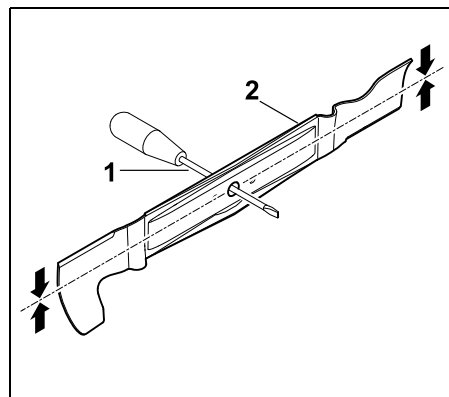
#### Afilar la cuchilla:

##### ¡Peligro de lesiones!

Durante el afilado hay que llevar siempre puestas gafas de protección y guantes.

- Enfriar la cuchilla durante el afilado, por ejemplo, con agua. A fin de conservar la resistencia de la cuchilla debe evitarse que su color cambie a azul.
- Afilar las cuchillas uniformemente para evitar que se produzcan vibraciones por desequilibrio.
- Respetar un ángulo de corte de **30°**.
- Tener en cuenta los límites de desgaste durante el afilado.

#### Comprobar el equilibrio de las cuchillas:



Introducir el destornillador (1) por el orificio central.

Si está equilibrada, la cuchilla (2) debe equilibrarse en la posición ilustrada.



##### ¡Peligro de lesiones!

Si la cuchilla no se balancea debe repetirse el afilado hasta que la cuchilla quede equilibrada. El equilibrado de la cuchilla solamente debe realizarse rectificando los filos.

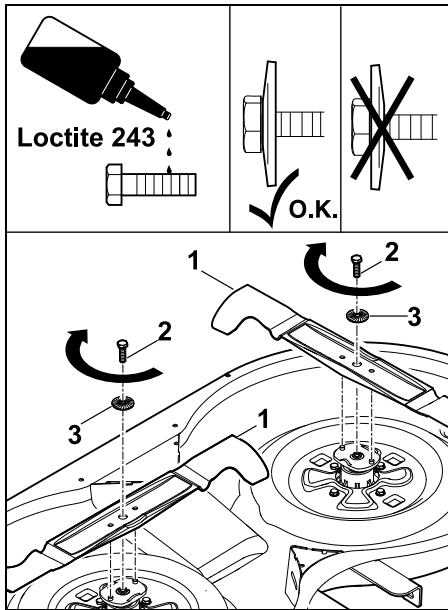
#### Montar las cuchillas:



##### ¡Peligro de lesiones!

Antes de montar la cuchilla, comprobar si presenta daños (mellas o fisuras) y desgaste. Las cuchillas desgastadas o dañadas deben sustituirse. Sustituir la arandela de seguridad cada vez que se monte la cuchilla. Asegurar el tornillo de cuchilla adicionalmente con **Loctite 243**. El par de apriete de **65 - 70 Nm** especificado para los tornillos de cuchilla debe respetarse estrictamente, ya que de ello depende la fijación segura de la herramienta de corte.

- Montar la cuchilla con las alas plegadas hacia arriba (apuntando al equipo de corte).



Colocar la cuchilla (1), enroscar el tornillo de cuchilla (2; aplicarle **Loctite 243**) con la arandela de seguridad (3; tener en cuenta su curvatura), y apretarlo a un par de **65 - 70 Nm**. Retener la cuchilla al apretar el tornillo de cuchilla.

- RT 5112 Z, RT 6112 ZL, RT 6127 ZL: Comprobar la posición de montaje de las cuchillas.

### 15.14 Verificar la posición de montaje del equipo de corte

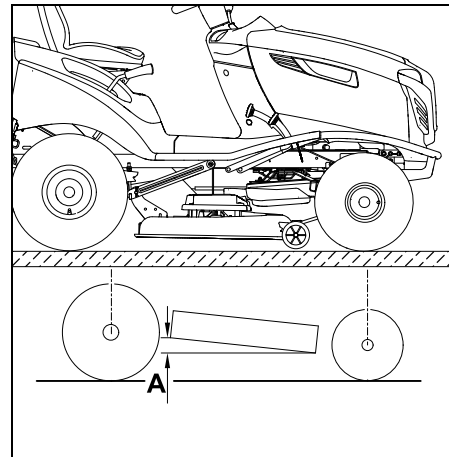
#### Intervalos de mantenimiento:

Comprobar el equipo de corte cada 50 horas de trabajo o según sea necesario (p. ej., si el equipo de corte sufre algún golpe fuerte o si el corte no es limpio).

**i** La presión uniforme de los neumáticos es un requisito para comprobar que el montaje es correcto. Por tanto, antes de controlar la posición de montaje del equipo de corte hay que comprobar la presión de todos los neumáticos y, si fuera necesario, igualarla. (⇒ 15.16)

El equipo de corte se encuentra en la posición de montaje correcta cuando está inclinado ligeramente hacia adelante: tiene en el lado delantero una profundidad ligeramente mayor que en el lado trasero.

- Colocar el equipo sobre una superficie plana.
- Apagar el motor de combustión. (⇒ 13.3)
- Accionar el freno de estacionamiento. (⇒ 8.14)
- Retirar la llave de contacto y guardarla en un lugar seguro.
- Seleccionar el nivel de corte más bajo. (⇒ 8.15)



Diferencia de altura **A = 10 mm**.

### 15.15 Cambiar las ruedas

En caso de daños (agujeros, fisuras, cortes, etc.) en la ruedas, desmontar la rueda dañada y acudir a un comercio especializado.

#### Levantar y apoyar el equipo:



#### ¡Peligro de lesiones!

Al levantar el equipo, tener en cuenta su elevado peso (véase en capítulo "Datos técnicos"). (⇒ 22.) Si es necesario levante el equipo con ayuda de una segunda persona o un gato (no incluido en el suministro). Antes de levantarlo, asegurar el equipo para que no salga rodando. El freno actúa solamente sobre las ruedas traseras. Al levantar el eje trasero, asegurar el equipo para que no salga rodando.

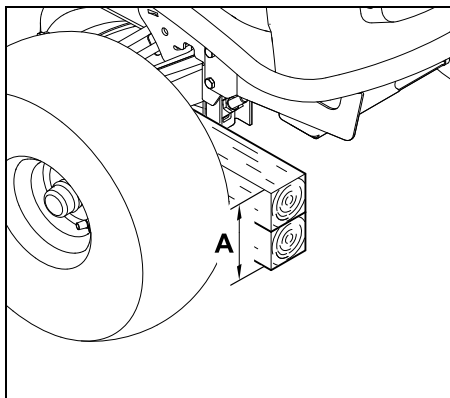


#### Evitar causar daños en el equipo

Al apoyarlo, tener en cuenta que el equipo está colocado en la base sólo con el eje o con el enganche de remolque. Elevar el equipo únicamente por los componentes apropiados (p. ej., chasis, llantas, eje). Nunca elevar o apoyar el equipo en piezas de plástico.

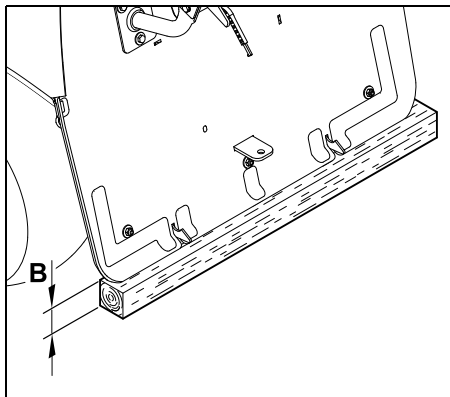
- Colocar el equipo sobre una superficie plana y firme, y asegurarlo para que no salga rodando.
- Apagar el motor de combustión. (⇒ 13.3)
- Accionar el freno de estacionamiento. (⇒ 8.14)

- Retirar la llave de contacto y guardarla en un lugar seguro.



Con el fin de descargar las **ruedas delanteras** apoyar el tractor cortacésped por el eje delantero:

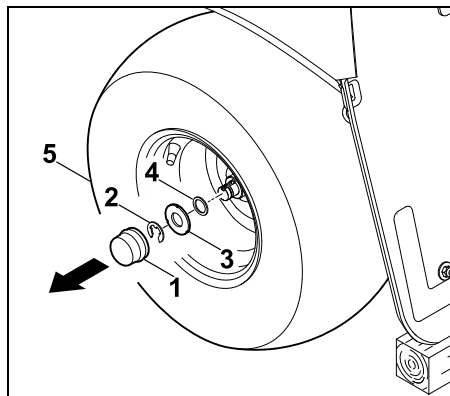
A = como mínimo **260 mm**



Con el fin de descargar las **ruedas traseras** apoyar el tractor cortacésped en la pared posterior:

B = como mínimo **120 mm**

### Desmontar la rueda:



Sacar la tapa (1). Retirar el anillo de seguridad (2) con ayuda de un destornillador.

Retirar la arandela grande (3) y la arandela pequeña (4 – solo rueda trasera) junto con la rueda (5) del eje de ruedas.



**¡Evitar causar daños en el equipo!**

Al desmontar las ruedas traseras se debe procurar que los elementos de arrastre (chavetas) no se pierdan.

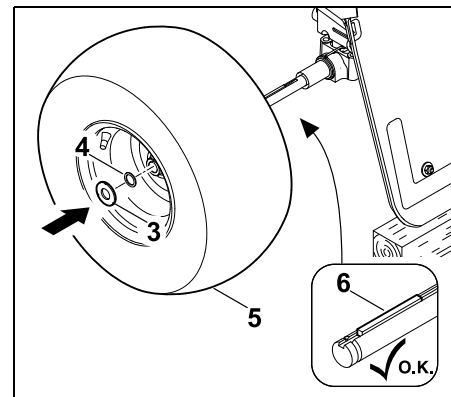
### Montar la rueda:



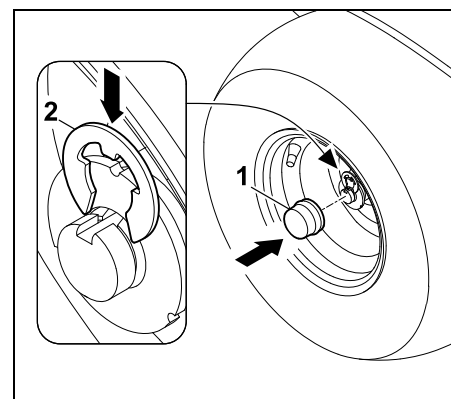
**¡Evitar causar daños en el equipo!**

Antes de montar las ruedas traseras se debe comprobar que es correcta la posición de los elementos de arrastre (chavetas) en la ranura del eje de rueda.

- Retirar la suciedad del eje de rueda.
- Lubricar el eje de rueda ligeramente con grasa antes de montar la rueda.



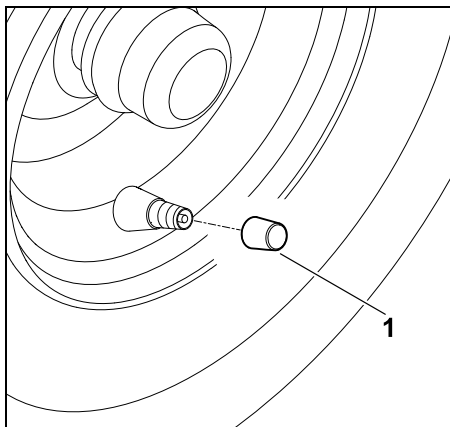
Introducir la chaveta (6) en el eje de rueda trasero. Desplazar la rueda (5 – válvula hacia fuera) con la arandela pequeña (4 – solo rueda trasera) junto con la arandela grande (3) por el eje de rueda.



Encajar el anillo de seguridad (2) en la ranura del eje de rueda.  
Encajar la tapa (1) sobre el eje de rueda.

## 15.16 Presión de los neumáticos

**i** La correcta presión de los neumáticos es un requisito esencial para la orientación del equipo de corte y, en consecuencia, para obtener una perfecta calidad de corte. Además, con una presión demasiado alta de los neumáticos se estropea el césped por los tacos.



Desenroscar la tapa de la válvula (1). Ajustar con ayuda de una bomba de aire apropiada con manómetro las siguientes presiones en los neumáticos:

**Neumáticos delanteros:** 0,8 – 1,0 bar

**Neumáticos traseros:** 0,6 – 0,8 bar

## 15.17 Engrasar

Engrasar las dos manguetas delanteras a través de los dos racores de lubricación del eje delantero.

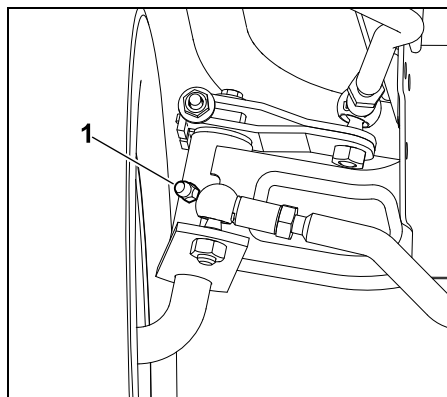


### Nota

Antes de proceder al engrase debe descargarse el eje delantero mediante un apoyo correcto. Se debe limpiar el racor de lubricación antes de cada engrase para evitar que entre suciedad en las manguetas. Siempre debe quitarse (limpiarse) la grasa que rebose tras terminar los trabajos de engrase. Utilizar grasa de lubricación corriente.

### Proceso de engrase:

- Apagar el motor de combustión. (⇒ 13.3)
- Retirar la llave de contacto y guardarla en un lugar seguro.
- Accionar el freno de estacionamiento. (⇒ 8.14)
- Descargar (elevar) el eje delantero apoyándolo. (⇒ 15.15)



Con la ayuda de una pistola de engrasar (no incluida en el suministro), introducir grasa a presión en ambos lados por los

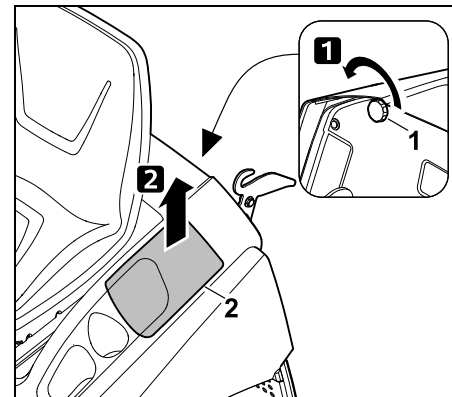
racores de lubricación (1), hasta que la grasa salga ligeramente por las manguetas del eje.

- Quitar la grasa lubricante que haya salido.
- Retirar el apoyo del eje delantero.

## 15.18 Abrir y cerrar el compartimento para la batería

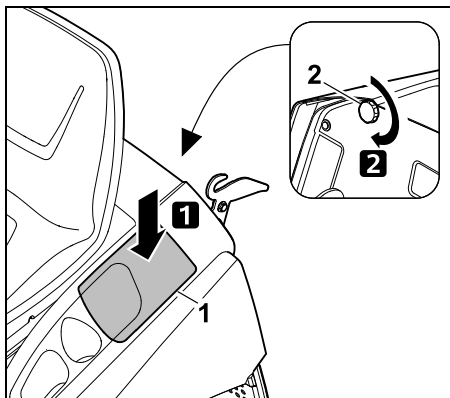
- Apagar el motor de combustión. (⇒ 13.3)
- Accionar el freno de estacionamiento. (⇒ 8.14)
- Retirar la llave de contacto y guardarla en un lugar seguro.
- Retirar el recogedor de hierba. (⇒ 13.10)

### Abrir el compartimento para la batería:



Desenroscar la tuerca de fijación (1) y retirar hacia adelante el compartimento para la batería (2).

## Cerrar el compartimento para la batería:



Colocar el compartimento para la batería (1) como muestra la imagen y fijarlo con tuercas de fijación (2).

## 15.19 Desmontar y montar la batería



### ¡Peligro de lesiones!

Desconectar primero el cable negativo negro (-) y a continuación el cable positivo rojo (+).

Al conectar la batería siempre debe embornarse en primer lugar el cable rojo de positivo (+).

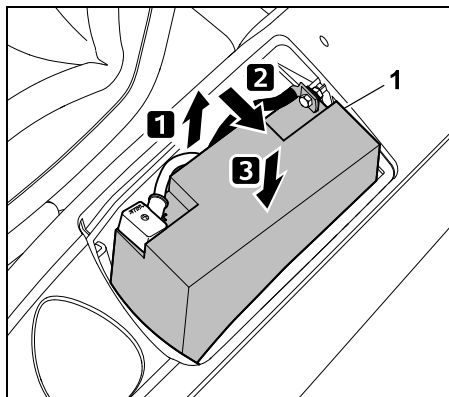


La batería no necesita mantenimiento; en caso de sufrir daños debe sustituirse y si se producen periodos de parada prolongada (por ejemplo, en invierno) o al desechar el equipo, debe desmontarse.

La batería no debe eliminarse con la basura normal, sino que debe entregarse en un comercio especializado o en el centro de recogida de desechos especiales.

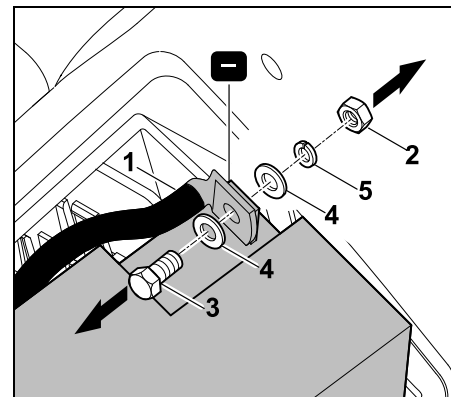
- Apagar el motor de combustión. (⇒ 13.3)
- Accionar el freno de estacionamiento. (⇒ 8.14)
- Retirar la llave de contacto y guardarla en un lugar seguro.
- Abrir el compartimento para la batería. (⇒ 15.18)

### Posición de montaje:

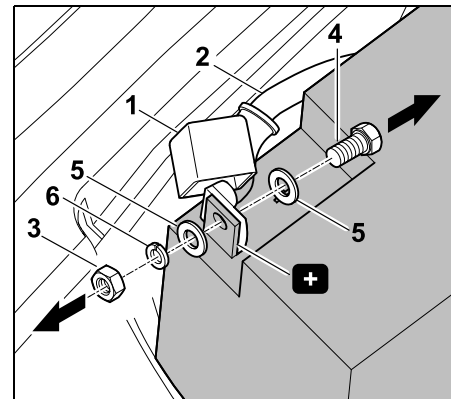


Extraer la batería (1) para embornarla o desembornarla por la mitad del compartimento para la batería e inclinarla a un lado. A continuación, volver a dirigirla hacia abajo y colocarla. Comprobar que la posición es segura.

## Desembornar la batería:



Desconectar el cable negro (1) del polo negativo (-) de la batería desenroscando la tuerca (2) con ayuda de dos llaves de boca de 8 mm, y retirarlo con el tornillo (3), las arandelas (4) y la arandela elástica (5).



Sacar la tapa (1). Desconectar el cable rojo (2) del polo positivo (+) de la batería desenroscando la tuerca (3) con ayuda de dos llaves de boca de 8 mm, y retirarlo con el tornillo (4), las arandelas (5) y la arandela elástica (6).

- En caso necesario, retirar la batería.

- Colocar los tornillos, las arandelas y las tuercas para proteger los polos de la batería.
- En caso necesario, guardar los cables de conexión en el compartimento para la batería y cerrarlo. (⇒ 15.18)

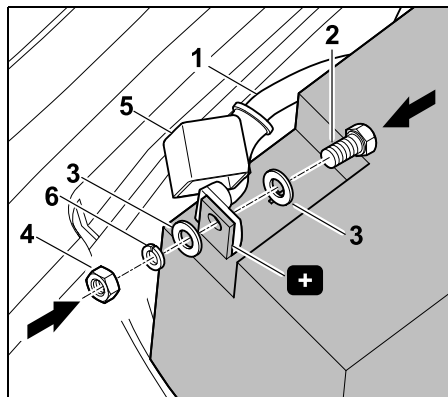
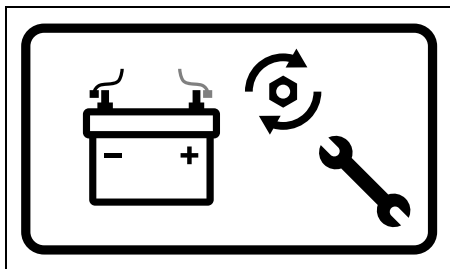
### Embornar la batería:

**i** Antes del montaje debe comprobarse el estado de carga de la batería. Cuando la tensión de la batería es inferior a **11,5 V** esta debe recargarse con un cargador de baterías adecuado antes de montarla.

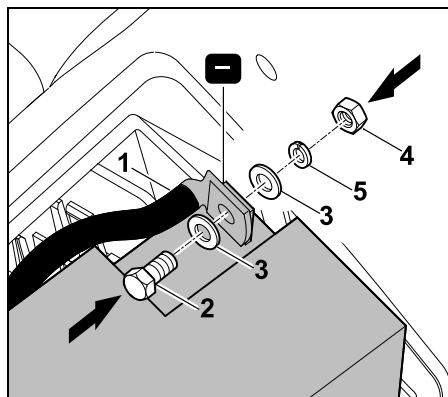
- Colocar la batería en la posición de montaje.
- En caso necesario, retirar los tornillos, las arandelas y las tuercas de la batería.

**!** ¡Peligro de incendio!

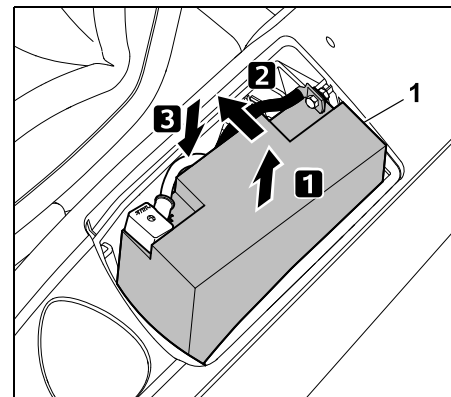
Respetar siempre el par de apriete especificado. Prestar atención a que las uniones roscadas en los polos estén siempre bien apretadas, a fin de evitar daños ocasionados por chispas.



Conectar el cable rojo (1) al polo positivo (+) de la batería y fijarlo con el tornillo (2), las arandelas (3), la arandela elástica (6) y la tuerca (4). Apretar la unión roscada con ayuda de dos llaves de boca de 8 mm a **6 - 8 Nm**. Colocar la tapa (5) completamente sobre la unión roscada.



Conectar el cable negro (1) al polo negativo (-) de la batería y fijarlo con el tornillo (2), las arandelas (3), la arandela elástica (5) y la tuerca (4). Apretar la unión roscada con ayuda de dos llaves de boca de 8 mm a **6 - 8 Nm**.



Elevar la batería (1) e inclinarla ligeramente hacia dentro. Colocar la batería con precaución y asegurarse de que ambos cables de conexión están correctamente colocados en el compartimento para la batería.

- Cerrar el compartimento para la batería. (⇒ 15.18)

### 15.20 Fusibles

**!** ¡Peligro de incendio!

Los fusibles nunca deben puentearse con un hilo o lámina metálica. No utilizar jamás fusibles con una capacidad de resistencia (amperios) distinta a la prescrita.

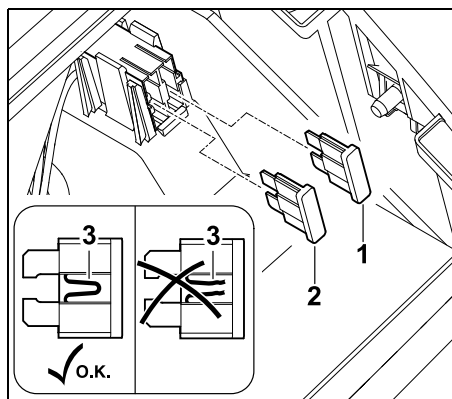
**i** Si un fusible vuelve a fundirse en un intervalo de tiempo corto, la causa posible es una anomalía (por ejemplo, un cortocircuito). Es recomendable ponerse en contacto con un establecimiento especializado. STIHL recomienda los distribuidores especializados STIHL.



### Controlar los fusibles enchufables:

Los fusibles enchufables se encuentran en el compartimento para la batería.

- Apagar el motor de combustión. (⇒ 13.3)
- Accionar el freno de estacionamiento. (⇒ 8.14)
- Retirar la llave de contacto y guardarla en un lugar seguro.
- Abrir el compartimento para la batería. (⇒ 15.18)



Sacar los fusibles enchufables (1,2). Comprobar visualmente si el alambre (3) que transcorre por el plástico está dañado (quemado).

Sustituir los fusibles dañados.

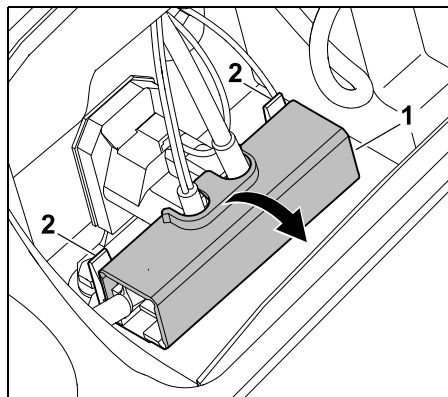
**Dispositivo de carga (1):** 15 A  
**Sistema eléctrico (2):** 10 A

- Cerrar el compartimento para la batería. (⇒ 15.18)

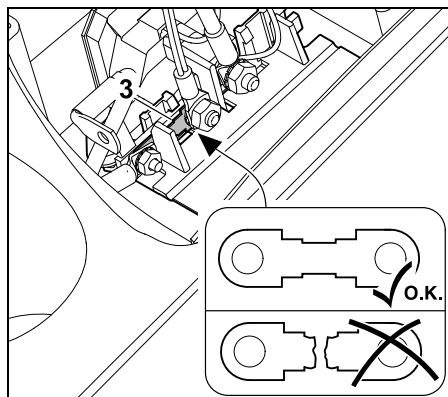
### Controlar el fusible principal:

El fusible principal (150 amperios) se encuentra detrás de la batería.

- Desmontar la batería. (⇒ 15.19)



Abrir la cubierta (1) presionando las lengüetas (2) ligeramente hacia atrás.



Comprobar visualmente si el fusible (3) está dañado (quemado). En caso necesario, dejar que un establecimiento especializado cambie el fusible (3). STIHL recomienda los distribuidores especializados STIHL.

- Cerrar otra vez la cubierta.
- Montar la batería. (⇒ 15.19)

### 15.21 Carga de la batería mediante el conector de carga

Al conector de carga puede enchufarse el cargador de mantenimiento STIHL ACB 010 o el cargador de diagnóstico STIHL ADL 012 (ambos no incluidos en el suministro).

Con el cargador de mantenimiento STIHL ACB 010 solo puede realizarse una carga de mantenimiento.

Con el cargador de diagnóstico ADL 012 puede realizarse tanto una carga de mantenimiento como una carga completa (de una batería descargada).



**¡Evitar causar daños en el equipo!** No cargar nunca la batería con el motor de combustión en marcha.

Al conector de carga puede enchufarse exclusivamente el cargador de mantenimiento STIHL ACB 010 o el cargador de diagnóstico STIHL ADL 012. Otros cargadores, especialmente aquellos con una corriente de carga superior, pueden causar daños al equipo.

Si se carga la batería con ayuda de otros cargadores, hay que desmontarla primero.

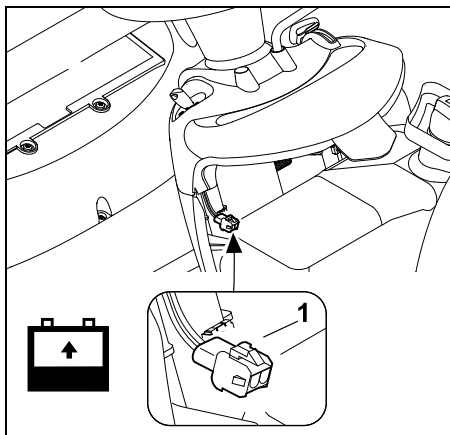
#### Antes de la conexión:

- Leer y observar las indicaciones contenidas en los manuales de instrucciones de los cargadores STIHL.
- Leer y observar las indicaciones contenidas en la hoja adjunta de la batería.

#### Conexión:

- Apagar el motor de combustión. (⇒ 13.3)

- Accionar el freno de estacionamiento. (⇒ 8.14)
- Abrir el capó del motor. (⇒ 15.3)



Enchufar al conector de carga (1) el cargador de mantenimiento STIHL ACB 010 o el cargador de diagnóstico STIHL ADL 012.

### 15.22 Cambiar la lámpara del faro

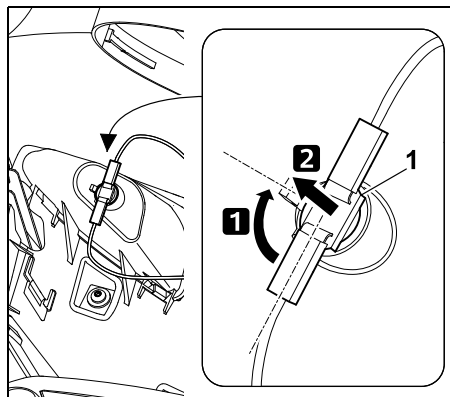


A la hora de cambiar lámparas defectuosas, utilizar siempre lámparas para faros de 12 V y 6 W de potencia.

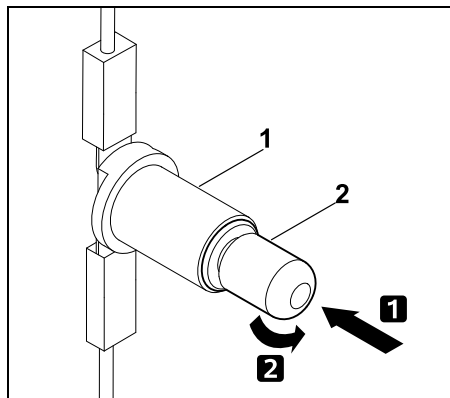
#### Denominación de la lámpara:

12V 6W BA9s

- Abrir el capó del motor. (⇒ 15.3).

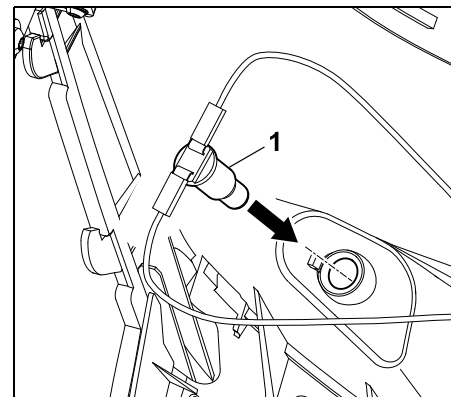


Girar el portalámparas (1) aprox. 90° y sacarla.



Presionar la lámpara (2) en dirección al portalámparas (1) y mantenerla presionada. Girar la lámpara (2) con cuidado y sacarla.

- Colocar la lámpara siguiendo estos pasos en el orden inverso.



Introducir el portalámparas (1) en la carcasa del faro aplicando presión.

- Cerrar el capó del motor. (⇒ 15.4)

### 15.23 Motor de combustión

Tener en cuenta las indicaciones de manejo y mantenimiento contenidas en el Manual de instrucciones del motor de combustión adjunto.

Para garantizar una larga vida útil, es especialmente importante que el nivel de aceite sea correcto y que se sustituyan periódicamente el filtro de aire y el filtro de aceite del motor.

### 15.24 Caja de cambios

El usuario no debe realizar ninguna tarea de mantenimiento en la caja de cambios. En las revisiones del equipo realizadas por un establecimiento especializado, se realizan los trabajos de mantenimiento correspondientes de la caja de cambios.

## 15.25 Almacenamiento

- Mantenga el equipo en un lugar seco y sin polvo y fuera del alcance de los niños y personas no autorizadas.
- Las posibles averías del equipo deben repararse siempre antes de almacenarlo, para que se encuentre en todo momento en condiciones de funcionamiento seguras.
- Cerrar el paso de combustible. (⇒ 15.7)
- Retire la llave de contacto y guárdela de tal manera que no puedan acceder a ella personas no autorizadas, especialmente niños.

## 15.26 Parada durante largos periodos de inactividad (por ejemplo, en invierno)

- Limpiar completamente todo el equipo. Limpiar cuidadosamente todas las piezas externas del motor de combustión y de la caja de cambios, en particular las aletas de refrigeración.
- Lubrique bien (aceite o grasa) todas las piezas móviles.
- Vaciar el depósito de combustible y el carburador (por ejemplo, dejando funcionar el equipo al ralentí hasta que se quede sin gasolina).
- Accionar el freno de estacionamiento. (⇒ 8.14)
- Tener en cuenta las indicaciones sobre parada en el Manual de instrucciones del motor de combustión.
- Cambiar el aceite de motor (Manual de instrucciones del motor de combustión). (⇒ 15.9)

- Desmontar la batería. (⇒ 15.19)
- Guarde la batería completamente cargada en un lugar fresco y seco y manténgala fuera del alcance de los niños.

## 15.27 Tras largos periodos de inactividad (p. ej. en invierno)

- Compruebe la tensión de la batería antes de su montaje. Cuando la tensión de la batería es inferior a **11,5 V** ésta debe recargarse completamente antes del montaje mediante un cargador de baterías. (⇒ 15.21)
- Montar la batería. (⇒ 15.19)
- Compruebe la presión de los neumáticos. (⇒ 15.16)
- Abrir el paso de combustible. (⇒ 15.7)
- Repostar combustible. (⇒ 13.1)
- Controlar el nivel de llenado del aceite de motor. (⇒ 15.8)

## 16. Transporte



### ¡Peligro de lesiones!

Antes del transporte, leer y observar detenidamente el capítulo "Para su seguridad", especialmente el subcapítulo "Transporte del tractor cortacésped". (⇒ 4.1), (⇒ 4.3)

Recorrer las rampas y tener especialmente en cuenta que las ruedas no se deslizan lateralmente sobre las rampas – **Peligro de caída.**

No debe efectuarse ningún cambio brusco de velocidad o dirección.



¡En vías públicas el equipo sólo debe transportarse con ayuda de un vehículo adecuado o un remolque!  
**¡No remolcarlo!**

- Antes de la carga, seleccionar el nivel de corte más alto. (⇒ 13.6)
- Apoyar el remolque por su parte frontal para que no pueda volcar debido al peso del equipo.
- Para cargar el equipo, utilice un mecanismo de elevación o una rampa de carga adecuada y estable con una anchura suficiente.
- Posicione y fije las rampas de carga de forma segura. Tenga en cuenta la distancia entre ejes y la vía del tractor cortacésped. (⇒ 22.1)
- Prestar atención a una distribución uniforme de la carga en el remolque.
- Después de la carga, seleccionar el nivel de corte más bajo. (⇒ 13.6)
- Apagar el motor de combustión. (⇒ 13.3)
- Desplazar completamente hacia adelante el equipo hasta que el parachoques entre en contacto con la pared frontal del remolque o el vehículo.
- Accionar el freno de estacionamiento. (⇒ 8.14)
- Cerrar el paso de combustible. (⇒ 15.7)
- Asegurar el equipo con medios de fijación apropiados (correas, cables, etc.) en el parachoques delantero contra la pared frontal del remolque o el vehículo.

- Colocar adicionalmente cuñas (no incluidas en el suministro) en las ruedas para evitar un desplazamiento imprevisto.

## 17. Piezas de recambio habituales

Tornillo de cuchilla:  
9010 345 2430

Arandela tensora:  
0000 702 6600

### RT 5097:

Cuchilla derecha:  
6160 702 0115  
Cuchilla izquierda:  
6160 702 0110

### RT 5097 Z:


Cuchilla derecha:  
6160 702 0105  
Cuchilla izquierda:  
6160 702 0100

### RT 5112 Z, RT 6112 ZL:

Cuchilla derecha:  
6170 702 0135  
Cuchilla izquierda:  
6170 702 0130

### RT 6127 ZL:


Cuchilla derecha:  
6170 702 0145  
Cuchilla izquierda:  
6170 702 0140

 Sustituir la arandela tensora cada vez que se monte la cuchilla y el tornillo de cuchilla cada vez que se cambie la cuchilla. Los repuestos se pueden obtener en los distribuidores especializados STIHL.

## 18. Accesorios

Hay disponibles otros accesorios para el equipo.

Encontrará más información en su Distribuidor especializado STIHL, en Internet ([www.stihl.es](http://www.stihl.es)) o en el catálogo STIHL.

 Por motivos de seguridad, con el equipo solo pueden utilizarse accesorios autorizados por STIHL.

## 19. Protección del medio ambiente

La hierba cortada no forma parte de la basura normal, sino que debe utilizarse para preparar compost.

Los embalajes, la máquina y los accesorios están fabricados con materiales reciclables y deben desecharse correspondientemente.

Una eliminación de restos de materiales por separado, respetando el medio ambiente, ofrece la posibilidad de reciclar las materias primas empleadas. Por esta razón, se debe llevar la máquina a un centro de reciclaje cuando uno desee deshacerse de ella. Una eliminación inadecuada puede dañar la salud y contaminar el medio ambiente.

Los productos desechables, como aceites usados (aceite de motor/engranajes), combustibles y baterías, deben eliminarse siempre de acuerdo a la normativa. ¡Observe las normativas locales! Desmontar la batería antes de desechar la máquina.



La batería no debe eliminarse con la basura normal, sino que debe entregarse en un comercio especializado o en el centro de recogida de desechos especiales.

Póngase en contacto con su centro de reciclado o su establecimiento especializado para recibir información sobre cómo eliminar los productos desechables de forma correcta. STIHL recomienda los distribuidores especializados STIHL.

## 20. Reducir el desgaste y prevenir daños

**Información importante referente al mantenimiento y cuidado del grupo de productos**

**Cortacésped con asiento del conductor y motor de combustión (STIHL RT)**

STIHL no se hace responsable de los daños personales y materiales ocasionados por la no observación de las indicaciones contenidas en las instrucciones de funcionamiento, especialmente en lo referente a la seguridad, el funcionamiento y el mantenimiento, o de los daños que aparezcan debidos a una utilización de accesorios o piezas de repuesto no autorizadas.

Siga siempre las instrucciones siguientes, que son importantes para evitar daños o un desgaste excesivo de su equipo STIHL:

### 1. Piezas de desgaste

Algunas piezas del equipo STIHL están sometidas a un desgaste normal, incluso utilizando el equipo de manera adecuada, por lo que deberán ser sustituidas a tiempo (dependiendo del tipo y de la duración de uso).

Estas son, entre otras:

- Cuchilla
- Recogedor de hierba
- Correa trapezoidal
- Correa dentada
- Fusibles enchufables
- Batería
- Neumáticos y ruedas
- Bujía de encendido

## 2. Observación de las indicaciones del presente manual de instrucciones

El uso, mantenimiento y almacenamiento del equipo STIHL deberá efectuarse con sumo cuidado, tal y como se describe en este manual de instrucciones. El propio usuario es el responsable de todos los daños ocasionados por incumplimiento de las indicaciones de seguridad, utilización y mantenimiento.

Esto es especialmente válido en caso de:

- Un uso inadecuado del producto.
- El uso de combustibles no autorizados por STIHL (lubricantes, gasolina y aceite de motor; véase las especificaciones del fabricante del motor de combustión).
- Modificaciones en el producto no autorizadas por STIHL.
- La utilización de herramientas o piezas no permitidas para el equipo, no adecuadas o de calidad inferior.
- Utilización del producto en eventos deportivos o en campeonatos.
- Daños ocasionados como consecuencia de un uso continuado del producto con componentes defectuosos.

## 3. Trabajos de mantenimiento

Todos los trabajos descritos en el apartado titulado "Mantenimiento" tienen que ser ejecutados regularmente.

Si el usuario no puede realizar alguno de estos trabajos de mantenimiento, deberá encomendar esta tarea a un establecimiento especializado.

STIHL recomienda que los trabajos de mantenimiento y reparación se realicen exclusivamente en las instalaciones del distribuidor especializado STIHL.

Los distribuidores especializados STIHL reciben formación e información técnica regularmente.

Si se descuidan estos trabajos pueden producirse daños de los que será responsable el usuario.

Los posibles daños son, entre otros:

- Daños por corrosión y otros daños derivados de un almacenamiento indebido.
- Daños en el equipo debido a la utilización de piezas de recambio de una calidad inferior.
- Daños por no realizar un mantenimiento periódico o por realizar un mantenimiento insuficiente, o bien por no realizar los trabajos de mantenimiento o reparación en un taller especializado.

## 21. Declaración de conformidad

### 21.1 Declaración de conformidad de la UE para tractor cortacésped STIHL RT 5097.1, RT 5097.1 Z, RT 5112.1 Z, RT 6112.1 ZL, RT 6127.1 ZL

STIHL Tirol GmbH  
Hans Peter Stihl-Straße 5  
6336 Langkampfen  
Austria

declara, como único responsable, que

- Artículo: Tractor cortacésped
- Marca: STIHL
- Tipo: RT 5097.1, RT 5097.1 Z, RT 5112.1 Z, RT 6112.1 ZL, RT 6127.1 ZL
- Ancho de corte RT 5097.1, RT 5097.1 Z: 95 cm
- Ancho de corte RT 5112.1 Z, RT 6112.1 ZL: 110 cm
- Ancho de corte RT 6127.1 ZL: 125 cm
- Número de serie:  
**RT 5097.1, RT 5097.1 Z, RT 5112.1 Z: 6160**  
**RT 6112.1 ZL, RT 6127.1 ZL: 6170**

cumple con las disposiciones aplicables de las directivas 2000/14/EG, 2006/42/EG, 2014/30/EU y 2011/65/EU y se ha diseñado y fabricado en conformidad con las normas siguientes, en sus versiones en vigor en la fecha de producción: EN ISO 14982, EN ISO 5395-1 y EN ISO 5395-3.

Entidad que participó en la evaluación:  
TÜV Rheinland LGA Products GmbH  
Tillystraße 2  
90431 Nürnberg, DE

Para la determinación de la potencia sonora medida y garantizada se procedió según la directiva 2000/14/EG, anexo VIII.

#### RT 5097.1, RT 5097.1 Z

- Potencia sonora medida: 99,7 dB(A)
- Potencia sonora garantizada: 100 dB(A)

#### RT 5112.1 Z, RT 6112.1 ZL

- Potencia sonora medida: 99,8 dB(A)
- Potencia sonora garantizada: 100 dB(A)

#### RT 6127.1 ZL

- Potencia sonora medida: 104,5 dB(A)
- Potencia sonora garantizada: 105 dB(A)

La documentación técnica se conserva en la empresa STIHL Tirol GmbH.

El año de fabricación y el número de serie se indican en el tractor cortacésped.

Langkampfen, 02.06.2021

STIHL Tirol GmbH

p.p.



Matthias Fleischer, director de Investigación y Desarrollo

p.p.



Sven Zimmermann, director de Calidad

## 22. Datos técnicos

### RT 5097.1, RT 5097.1 Z, RT 5112.1 Z, RT 6112.1 ZL, RT 6127.1 ZL:

Motor, tipo	Motor de combustión de 4 tiempos
Depósito de combustible	9 l
Dispositivo de arranque	Arranque eléctrico - Llave de contacto
Tipo de batería	Gel de plomo
– Tensión nominal	12 V
Dispositivo de corte	2 barras portacuchillas
Par de apriete de tornillos de cuchilla	65 - 70 Nm
Tracción a las ruedas traseras	progresiva hacia delante/progresiva hacia atrás

### RT 5097.1:

Número de serie	6160
Tipo de motor	EVC 4000
Cilindrada	452 cm <sup>3</sup>
Potencia nominal a régimen nominal	8,2 - 2700 kW - rpm
Régimen de salida del motor	2700 rpm
Ancho de corte	95 cm

### RT 5097.1:

Accionamiento de barra portacuchillas	asíncrono
Altura de corte	8 niveles 30 - 100 mm
Ruedas delanteras, presión de aire	15x6.00-6, 0,8 - 1,0 bar
Ruedas traseras, presión de aire	18x8.50-8, 0,6 - 0,8 bar
Capacidad del recogedor de hierba	250 l
Peso con equipo de corte y recogedor de hierba vacío	228 kg
Medición según 2000/14/EG / S.I. 2001/1701:	
Potencia sonora garantizada $L_{WA,d}$	100 dB(A)
Factor $K_{WA}$	0,7 dB(A)
Medición según EN ISO 5395-3:	
Nivel sonoro en el lugar de trabajo $L_{pA}$	86 dB(A)
Factor $K_{pA}$	2 dB(A)
Medición según EN ISO 5395-3, EN 1032:	
Vibraciones en el asiento (aceleración de todo el cuerpo) $a_w$	0,98 m/s <sup>2</sup>
Factor $K_w$	0,49 m/s <sup>2</sup>
Medición según EN ISO 5395-3, EN 20643:	
Vibraciones en el volante $a_{hw}$	2,60 m/s <sup>2</sup>
Factor $K_{hw}$	1,30 m/s <sup>2</sup>
Valores característicos de vibración declarados según EN 12096	
<b>RT 5097.1 Z:</b>	
Número de serie	6160
Tipo de motor	EVC 7000

**RT 5097.1 Z:**

Cilindrada	635 cm <sup>3</sup>
Potencia nominal a régimen nominal	8,2 - 2700 kW - rpm
Régimen de salida del motor	2700 rpm
Ancho de corte	95 cm
Accionamiento de barra portacuchillas	asíncrono
Altura de corte	8 niveles 30 - 100 mm
Ruedas delanteras, presión de aire	15x6.00-6, 0,8 - 1,0 bar
Ruedas traseras, presión de aire	18x8.50-8, 0,6 - 0,8 bar
Capacidad del recogedor de hierba	250 l
Peso con equipo de corte y recogedor de hierba vacío	237 kg
Medición según 2000/14/EG / S.I. 2001/1701:	
Potencia sonora garantizada L <sub>WA</sub> d	100 dB(A)
Factor K <sub>WA</sub>	0,7 dB(A)
Medición según EN ISO 5395-3:	
Nivel sonoro en el lugar de trabajo L <sub>pA</sub>	86 dB(A)
Factor K <sub>pA</sub>	2 dB(A)
Medición según EN ISO 5395-3, EN 1032:	
Vibraciones en el asiento (aceleración de todo el cuerpo) a <sub>w</sub>	0,98 m/s <sup>2</sup>
Factor K <sub>w</sub>	0,49 m/s <sup>2</sup>
Medición según EN ISO 5395-3, EN 20643:	
Vibraciones en el volante a <sub>hw</sub>	2,20 m/s <sup>2</sup>

**RT 5097.1 Z:**

Factor K <sub>hw</sub>	1,10 m/s <sup>2</sup>
Valores característicos de vibración declarados según EN 12096	

**RT 5112.1 Z:**

Número de serie	6160
Tipo de motor	EVC 7000
Cilindrada	635 cm <sup>3</sup>
Potencia nominal a régimen nominal	12,2 - 2700 kW - rpm
Régimen de salida del motor	2700 rpm
Ancho de corte	110 cm
Accionamiento de barra portacuchillas	síncrono
Altura de corte	8 niveles 30 - 100 mm
Ruedas delanteras, presión de aire	15x6.00-6, 0,8 - 1,0 bar
Ruedas traseras, presión de aire	18x8.50-8, 0,6 - 0,8 bar
Capacidad del recogedor de hierba	350 l
Peso con equipo de corte y recogedor de hierba vacío	258 kg
Medición según 2000/14/EG / S.I. 2001/1701:	
Potencia sonora garantizada L <sub>WA</sub> d	100 dB(A)
Factor K <sub>WA</sub>	0,6 dB(A)
Medición según EN ISO 5395-3:	
Nivel sonoro en el lugar de trabajo L <sub>pA</sub>	86 dB(A)
Factor K <sub>pA</sub>	2 dB(A)
Medición según EN ISO 5395-3, EN 1032:	

**RT 5112.1 Z:**

Vibraciones en el asiento (aceleración de todo el cuerpo) a <sub>w</sub>	0,98 m/s <sup>2</sup>
Factor K <sub>w</sub>	0,49 m/s <sup>2</sup>
Medición según EN ISO 5395-3, EN 20643:	
Vibraciones en el volante a <sub>hw</sub>	4,40 m/s <sup>2</sup>
Factor K <sub>hw</sub>	2,20 m/s <sup>2</sup>
Valores característicos de vibración declarados según EN 12096	

**RT 6112.1 ZL:**

Número de serie	6170
Tipo de motor	EVC 7000
Cilindrada	635 cm <sup>3</sup>
Potencia nominal a régimen nominal	12,2 -2700 kW - rpm
Régimen de salida del motor	2700 rpm
Ancho de corte	110 cm
Accionamiento de barra portacuchillas	síncrono
Altura de corte	8 niveles 30 - 110 mm
Ruedas delanteras, presión de aire	16x7.50-8, 0,8 - 1,0 bar
Ruedas traseras, presión de aire	20x10.00-8, 0,6 - 0,8 bar
Capacidad del recogedor de hierba	350 l
Peso con equipo de corte y recogedor de hierba vacío	268 kg
Medición según 2000/14/EG / S.I. 2001/1701:	
Potencia sonora garantizada L <sub>WA</sub> d	100 dB(A)
Factor K <sub>WA</sub>	0,6 dB(A)

**RT 6112.1 ZL:**

Medición según EN ISO 5395-3:

Nivel sonoro en el  
lugar de trabajo  $L_{pA}$  86 dB(A)  
Factor  $K_{pA}$  2,0 dB(A)

Medición según EN ISO 5395-3,  
EN 1032:

Vibraciones en el  
asiento (aceleración  
de todo el cuerpo)  $a_w$  0,5 m/s<sup>2</sup>  
Factor  $K_w$  0,25 m/s<sup>2</sup>

Medición según EN ISO 5395-3,  
EN 20643:

Vibraciones en el  
volante  $a_{hw}$  4,40 m/s<sup>2</sup>  
Factor  $K_{hw}$  2,20 m/s<sup>2</sup>

Valores característicos de vibración declara-  
dos según EN 12096

**RT 6127.1 ZL:**

Número de serie 6170  
Tipo de motor EVC 8000  
Cilindrada 764 cm<sup>3</sup>  
Potencia nominal a  
régimen nominal 15,6 - 2950  
kW - rpm  
Régimen de salida  
del motor 2950 rpm  
Ancho de corte 125 cm  
Accionamiento de  
barra portacuchillas síncrono  
Altura de corte 8 niveles  
30 - 110 mm  
Ruedas delanteras,  
presión de aire 16x7.50-8,  
0,8 - 1,0 bar  
Ruedas traseras,  
presión de aire 20x10.00-8,  
0,6 - 0,8 bar  
Capacidad del reco-  
lector de hierba 350 l

**RT 6127.1 ZL:**

Peso con equipo de  
corte y recogedor de  
hierba vacío 281 kg

Medición según 2000/14/EG / S.I.  
2001/1701:

Potencia sonora  
garantizada  $L_{WA d}$  105 dB(A)  
Factor  $K_{WA}$  0,9 dB(A)

Medición según EN ISO 5395-3:

Nivel sonoro en el  
lugar de trabajo  $L_{pA}$  90 dB(A)  
Factor  $K_{pA}$  2,0 dB(A)

Medición según EN ISO 5395-3,  
EN 1032:

Vibraciones en el  
asiento (aceleración  
de todo el cuerpo)  $a_w$  0,5 m/s<sup>2</sup>  
Factor  $K_w$  0,25 m/s<sup>2</sup>

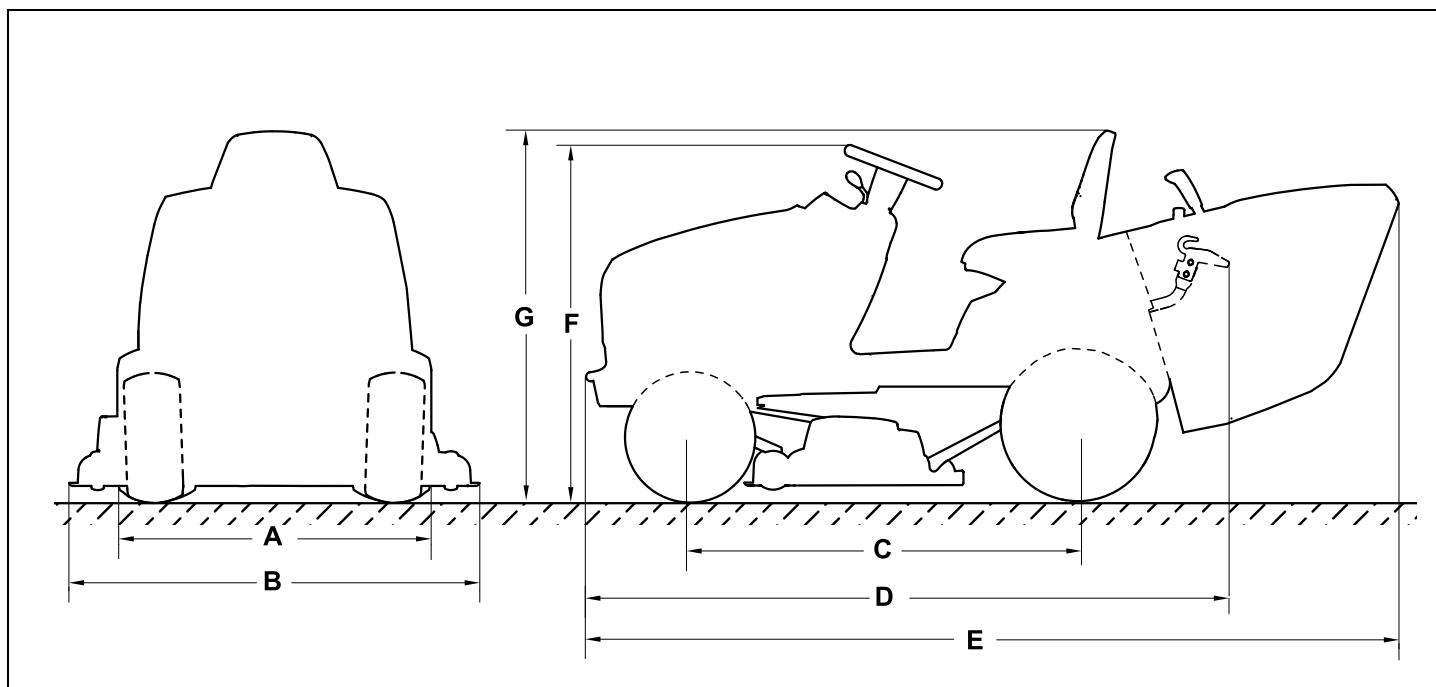
Medición según EN ISO 5395-3,  
EN 20643:

Vibraciones en el  
volante  $a_{hw}$  4,40 m/s<sup>2</sup>  
Factor  $K_{hw}$  2,20 m/s<sup>2</sup>

Valores característicos de vibración declara-  
dos según EN 12096



## 22.1 Dimensiones



RT 5097.1, RT 5097.1 Z, RT 5112.1 Z, :  
**A**=96,8 cm

RT 6112.1 ZL, RT 6127.1 ZL:  
**A**=98,7 cm

RT 5097.1, RT 5097.1 Z:  
**B**=100,6 cm

RT 5112.1 Z, RT 6112.1 ZL:  
**B**=116,9 cm

RT 6127.1 ZL:  
**B**=131,8 cm

**C**=125 cm

**D**=206 cm

RT 5097.1, RT 5097.1 Z:  
**E**=241,6 cm

RT 5112.1 Z, RT 6112.1 ZL, RT 6127.1  
ZL:  
**E**=260,3 cm

RT 5097.1, RT 5097.1 Z, RT 5112.1 Z, :  
**F**=111 cm

RT 6112.1 ZL, RT 6127.1 ZL:  
**F**=113 cm

RT 5097.1, RT 5097.1 Z, RT 5112.1 Z, :  
**G**=115 cm

RT 6112.1 ZL, RT 6127.1 ZL:  
**G**=117 cm

## 22.2 REACH

REACH es el marco reglamentario de la CE sobre registro, evaluación y autorización de sustancias químicas.

En [www.stihl.com/reach](http://www.stihl.com/reach) se facilita más información sobre el cumplimiento del reglamento REACH (CE) N.º 1907/2006.

## 23. Localización de anomalías

✂ En caso necesario ponerse en contacto con un establecimiento especializado: STIHL recomienda los distribuidores especializados STIHL.

📖 véase el Manual de instrucciones del motor de combustión.

### Anomalía:

El motor de arranque gira y el motor de combustión no arranca.

### Posible causa:

- El acelerador está en la posición MIN.
- La posición de estárter (acelerador) no está seleccionada o el botón del estárter no está accionado
- No hay combustible en el depósito.
- Paso de combustible cerrado.
- Flujo de alimentación de combustible insuficiente.
- Bujía de encendido carbonizada o dañada.
- Distancia incorrecta entre los electrodos.
- Pipa de la bujía retirada de la bujía de encendido.
- El motor de combustión se ha "ahogado" a causa de varios intentos de arranque.
- Filtro de aire obstruido.
- Batería casi descargada.

### Solución:

- Coloque el acelerador en la posición MAX.
- Colocar el acelerador en la posición de estárter (⇒ 8.2) o accionar el botón del estárter. (⇒ 8.4)
- Repostar combustible.
- Abrir el paso de combustible. (⇒ 15.7)

- Comprobar el filtro de combustible. (📖)
- Limpiar o sustituir la bujía de encendido. (📖)
- Ajustar la distancia de los electrodos. (✂)
- Conectar la pipa de bujía; comprobar la conexión entre el cable de encendido y el conector. (✂)
- Desenroscar y secar la bujía; colocar el acelerador en la posición MIN y con la bujía de encendido retirada arrancar varias veces; enroscar la bujía de encendido y enchufar la pipa de bujía. (📖)
- Limpiar el filtro de aire. (📖)
- Comprobar el estado de carga de la batería y, en caso necesario, cargar la batería. (⇒ 15.21)

### Anomalía:

El motor de arranque no funciona.

### Posible causa:

- Los dispositivos de seguridad bloquean el motor de arranque.
- Batería no conectada o incorrectamente conectada.
- Batería completamente descargada o insuficientemente cargada.
- Fusible principal (150 A) defectuoso.
- Conexión a masa del motor de combustión o bastidor incorrecta.
- Motor de arranque averiado.

### Solución:

- Observar todos los dispositivos de seguridad. (⇒ 12.)
- Comprobar conexiones de batería. (⇒ 15.19)
- Cargar la batería. (⇒ 15.21)
- Sustituir el fusible principal. (✂)
- Comprobar el cable de conexión en la batería y en el bastidor. (✂)
- Reparar el motor de arranque. (✂)

### Anomalía:

Arranque difícil o pérdida de potencia del motor de combustión.

### Posible causa:

- Agua en el depósito de combustible y en el carburador; carburador obstruido.
- Depósito de combustible sucio.
- Filtro de aire sucio.
- Bujía de encendido carbonizada.
- Hierba cortada demasiado alta o demasiado húmeda.

### Solución:

- Vaciar el depósito de combustible, limpiar el depósito y la tubería de combustible y el carburador. (✂)
- Limpiar el depósito de combustible. (✂)
- Limpiar / cambiar el filtro de aire. (📖)
- Limpiar la bujía de encendido. (📖)
- Adaptar el nivel de corte y la velocidad de desplazamiento a las condiciones de corte.

### Anomalía:

El motor de combustión se calienta mucho.

### Posible causa:

- Aletas de refrigeración sucias.
- Nivel de aceite del motor demasiado bajo.
- Correa trapezoidal desgastada.

### Solución:

- Limpiar las aletas de refrigeración. (📖)
- Controlar el nivel de llenado del aceite de motor y rellenar aceite de motor. (⇒ 15.8)
- Sustituir la correa trapezoidal. (✂)

---

**Anomalía:**

El aparato no marcha.

**Posible causa:**

- Caja de cambios desacoplada.
- Correa trapezoidal (caja de cambios) desenganchada.
- Correa trapezoidal (caja de cambios) gastada o dañada.
- Falta una chaveta entre el eje trasero y las ruedas traseras.

**Solución:**

- Acoplar la caja de cambios (palanca de (des)acoplamiento de la caja de cambios). (⇒ 8.18)
- Enganchar la correa trapezoidal (caja de cambios). (✘)
- Sustituir la correa trapezoidal (caja de cambios). (✘)
- Montar la chaveta. (⇒ 15.15)

---

**Anomalía:**

Fuertes vibraciones durante el funcionamiento.

**Posible causa:**

- Las cuchillas han quedado desequilibradas a causa de un afilado incorrecto o por daños.
- Los tornillos de cuchilla no están bien apretados.
- La fijación del motor de combustión no está bien apretada.
- Correa trapezoidal o dentada dañada.

**Solución:**

- Reafilar y equilibrar la cuchilla o sustituir la cuchilla. (⇒ 15.13)
- Apretar los tornillos de cuchilla observando el par de apriete. (⇒ 15.13)
- Apretar la fijación del motor de combustión. (✘)
- Sustituir la correa trapezoidal o dentada. (✘)

---

**Anomalía:**

Corte no limpio, el césped amarillea después del proceso de corte.

**Posible causa:**

- Cuchilla desafilada o desgastada.
- La velocidad de desplazamiento es demasiado alta en relación con las condiciones de corte (altura de corte, condiciones del césped).
- No se ha fijado el régimen máximo del motor (acelerador no en posición MAX).
- Ajuste incorrecto del equipo de corte.
- Canal de expulsión obstruido.
- El equipo de corte está sucio por restos de hierba (aglutinaciones en el lado interior de la carcasa del equipo de corte).

**Solución:**

- Afilarse o sustituir la cuchilla (observar los límites de desgaste). (⇒ 15.13)
- Disminuir la velocidad de desplazamiento o seleccionar una altura de corte mayor.
- Coloque el acelerador en la posición MAX. (⇒ 8.2), (⇒ 8.3)
- Comprobar el ajuste del equipo de corte y, en caso necesario, ajustar correctamente el equipo de corte. (⇒ 15.14)
- Retirar el recogedor de hierba y liberar el canal de expulsión de restos de hierba.
- Limpiar el lado interior del equipo de corte.

---

**Anomalía:**

Canal de expulsión obstruido.

**Posible causa:**

- Alas de cuchilla dañadas o desgastadas.
- Hierba cortada demasiado alta o demasiado húmeda.

- La velocidad de desplazamiento es demasiado alta en relación con la altura de corte fijada.
- No se ha fijado el régimen máximo del motor (acelerador no en posición MAX).
- Sensor de nivel de llenado incorrectamente ajustado.

**Solución:**

- Sustituir la cuchilla. (⇒ 15.13)
- Cortar el césped en dos procesos de corte: 1. Proceso de corte con nivel de corte más alto, 2. Proceso de corte con la altura de corte deseada.
- Disminuir la velocidad de desplazamiento o seleccionar una altura de corte mayor.
- Coloque el acelerador en la posición MAX. (⇒ 8.2), (⇒ 8.3)
- Ajustar el sensor de nivel de llenado (extraer completamente la corredera). (⇒ 8.19)

---

**Anomalía:**

El recogedor de hierba no se llena completamente.

**Posible causa:**

- Sensor de nivel de llenado ajustado incorrectamente.
- Altura de corte seleccionada demasiado baja.
- La hierba está demasiado húmeda y, por tanto, es demasiado pesada para ser transportada por la corriente de aire a través del canal de expulsión al recogedor de hierba.
- Las cuchillas están desafiladas o desgastadas.
- La hierba es demasiado alta.
- Los orificios de aire en el recogedor de hierba están obstruidos (no hay paso de aire en el recogedor de hierba).

- El canal de expulsión o el equipo de corte (lado interior) están sucios debido a los restos de hierba (del último corte).

**Solución:**

- Ajustar el sensor de nivel de llenado. (⇒ 8.19)
- Seleccionar una altura de corte mayor.
- Esperar hasta que la superficie de césped esté seca.
- Afilarse o sustituir la cuchilla. (⇒ 15.13)
- Cortar el césped en dos procesos de corte: 1. Proceso de corte con nivel de corte más alto, 2. Proceso de corte con la altura de corte deseada.
- Limpiar el recogedor de hierba (limpiar los pasos de aire).
- Limpiar el canal de expulsión o el lado interior del equipo de corte.

**Anomalía:**

El sensor de nivel de llenado (recogedor de hierba) no indica correctamente.

**Posible causa:**

- Sensor de nivel de llenado (recogedor de hierba) ensuciado por restos de hierba.
- Sensor de nivel de llenado (recogedor de hierba) ajustado incorrectamente.
- Velocidad de desplazamiento demasiado elevada.

**Solución:**

- Limpiar el sensor de nivel de llenado y comprobar que se desplace con facilidad.
- Ajustar el sensor de nivel de llenado (recogedor de hierba). (⇒ 8.19)
- Adaptar la velocidad de desplazamiento a las condiciones de corte (reducir la velocidad de desplazamiento).

**Anomalía:**

Las cuchillas no se activan o no giran.

**Posible causa:**

- Los dispositivos de seguridad impiden una activación de las cuchillas.
- Correa trapezoidal (equipo de corte) gastada, desenganchada o dañada.

**Solución:**

- Comprobar que se cumplan todos los requisitos de seguridad para la activación de las cuchillas. (⇒ 12.)
- Comprobar la correa trapezoidal (equipo de corte) y sustituirla en caso necesario. (✖)

**Anomalía:**

El motor de combustión se apaga al conectar el equipo de corte.

**Posible causa:**

- El usuario no está sentado o está sentado incorrectamente en el asiento del conductor.
- El conmutador del recogedor de hierba o del canal de expulsión no está accionado o es defectuoso.
- El conmutador de contacto del asiento o los cables correspondientes son defectuosos.

**Solución:**

- Sentarse en el asiento del conductor o modificar su posición.
- Montar el recogedor de hierba o el deflector (accesorio), comprobar que el canal de expulsión está correctamente colocado (⇒ 15.6), reparar/sustituir el conmutador o el cable. (✖)
- Reparar/sustituir el conmutador de contacto del asiento o los cables. (✖)

**Anomalía:**

El equipo de corte se desacopla durante el corte en marcha atrás.

**Posible causa:**

- Interruptor de seguridad para corte en marcha atrás no accionado.

**Solución:**

- Liberar la cuchilla dentro del plazo de tiempo (de 5 segundos antes hasta 1 segundo después de acoplar o modificar la dirección de marcha). (⇒ 8.8)

**Anomalía:**

El motor de combustión se apaga al abandonar el asiento del conductor.

**Posible causa:**

- Freno de estacionamiento no accionado.
- Equipo de corte acoplado (dispositivo de seguridad).

**Solución:**

- Accionar el freno de estacionamiento antes de abandonar el asiento del conductor. (⇒ 8.14)
- Desacoplar el equipo de corte antes de abandonar el asiento del conductor. (⇒ 8.5), (⇒ 8.6)

**Anomalía:**

En el display parpadea el texto ERROR y suenan 3 señales acústicas consecutivas.

**Posible causa:**

- Anomalía en el conmutador de contacto de asiento o en el sistema eléctrico (cortocircuito).

**Solución:**

- Girar la llave de contacto en la posición "Apagar motor de combustión", realizar un autodiagnóstico. (⇒ 9.1)

### Anomalía:

Tono acústico continuo activado.

### Posible causa:

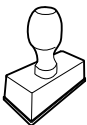
- El recogedor de hierba está lleno.
- Anomalía en el sistema electrónico.
- Batería incorrectamente conectada.

### Solución:

- Desacoplar el equipo de corte y vaciar el recogedor de hierba. (⇒ 13.9)
- Girar la llave de contacto en la posición "Apagar motor de combustión", realizar un autodiagnóstico. (⇒ 9.1)
- Comprobar la polaridad de las conexiones de la batería y conectar los cables correctamente si fuera necesario. (⇒ 15.19)

## 24. Plan de mantenimiento

### 24.1 Confirmación de entrega

<b>Modelo:</b> _____
<b>Número de serie:</b>
<input type="text"/> <input type="text"/> <input type="text"/> <input type="text"/> <input type="text"/> <input type="text"/> <input type="text"/> <input type="text"/> <input type="text"/>
<b>Fecha:</b> <input type="text"/> <input type="text"/> <input type="text"/> <input type="text"/> <input type="text"/> <input type="text"/>

Próxima revisión
<b>Fecha:</b> <input type="text"/> <input type="text"/> <input type="text"/> <input type="text"/> <input type="text"/> <input type="text"/>

### 24.2 Confirmación de servicio técnico



Entregue este Manual de instrucciones a su distribuidor especializado STIHL al realizarse trabajos de mantenimiento.

Él le confirmará la ejecución de los trabajos de servicio técnico en los campos preimpresos.



Servicio técnico realizado el



Fecha del próximo servicio técnico



## Estimados clientes,

ficamos muito satisfeitos pelo facto de ter escolhido a STIHL. Desenvolvemos e fabricamos os nossos produtos com a máxima qualidade e de acordo com as necessidades dos nossos clientes. Por isso, os produtos oferecem uma elevada fiabilidade mesmo sob condições de esforço extremo.

Também na assistência a STIHL é uma marca de excelência. O nosso revendedor autorizado garante aconselhamento e formação competente, e um acompanhamento técnico aprofundado.

Agradecemos a sua confiança e esperamos que aprecie o seu produto STIHL.



Dr. Nikolas Stihl

## **IMPORTANTE! LER E GUARDAR ANTES DA UTILIZAÇÃO.**

# 1. Índice

<b>Sobre este manual de utilização</b>	<b>147</b>	Botão choke (RT 5097 Z, RT 5112 Z, RT 6112 ZL, RT 6127 ZL)	165
Generalidades	147	Interruptor do mecanismo de corte (RT 5097, RT 5097 Z, RT 5112 Z)	165
Instruções sobre a leitura do manual de utilização	147	Tecla do mecanismo de corte (RT 6112 ZL, RT 6127 ZL)	165
<b>Descrição do aparelho</b>	<b>148</b>	Tecla do controlo de velocidade (RT 6112 ZL, RT 6127 ZL)	166
Trator corta-relva	148	Interruptor de segurança do corte em marcha atrás	166
Painel de instrumentos	150	Alavanca da seleção do sentido de marcha	167
<b>Para sua segurança</b>	<b>151</b>	Volante	167
Generalidades	151	Ajuste do assento do condutor	167
Formação – Aprender a utilizar o aparelho	152	Pedal de acionamento	168
Transporte do trator corta-relva	152	Pedal do travão	168
Abastecer – Manuseamento da gasolina	153	Travão de estacionamento	168
Vestuário e equipamento	153	Alavanca do ajuste da altura de corte	169
Antes dos trabalhos	154	Alavanca de esvaziamento da cesta de recolha de relva	170
Durante o trabalho	154	Arco de desbloqueio da cesta de recolha de relva	171
Manutenção e reparações	158	Arco de roda livre da transmissão	171
Armazenamento no caso de períodos de paragem mais longos	159	Sensor do nível de enchimento (cesta de recolha de relva)	172
Eliminação	160	<b>Sistema eletrónico</b>	<b>172</b>
<b>Descrição de símbolos</b>	<b>160</b>	Diagnóstico próprio durante o processo de arranque	172
<b>Fornecimento</b>	<b>162</b>	Avaria no trator corta-relva durante o funcionamento	173
<b>Trabalhos a realizar antes da primeira colocação em funcionamento</b>	<b>163</b>	Avaria no sistema eletrónico	173
<b>Elementos de comando</b>	<b>163</b>	<b>Visor RT 6112 ZL, RT 6127 ZL</b>	<b>173</b>
Fecho da ignição com interruptor da luz	163	Indicação de segmentos com 5 algarismos	174
Alavanca do acelerador com função de choke (RT 5097)	163	Tecla Set	174
Alavanca do acelerador (RT 5097 Z, RT 5112 Z, RT 6112 ZL, RT 6127 ZL)	164	Tecla Modo	174
		Indicação de avarias	174

Indicação de informações de funcionamento	175	Controlar os dispositivos de segurança	194	REACH	212
Indicação das funções ativas	176	Limpar o sensor do nível de enchimento (cesta de recolha de relva)	195	<b>Localização de falhas</b>	<b>213</b>
<b>Instruções para trabalhar</b>	<b>176</b>	Manutenção das lâminas de corte	196	<b>Plano de manutenção</b>	<b>216</b>
<b>Dispositivos de segurança</b>	<b>177</b>	Verificar a posição de montagem do mecanismo de corte	198	Confirmação de entrega	216
<b>Colocar o aparelho em funcionamento</b>	<b>177</b>	Substituir as rodas	199	Confirmação de assistência	216
Encher com combustível	178	Pressão dos pneus	200		
Ligar o motor de combustão	178	Lubrificar	200		
Desligar o motor de combustão	179	Abrir e fechar o compartimento da bateria	201		
Conduzir	179	Montar e desmontar a bateria	201		
Travar	180	Fusíveis	203		
Ajustar a altura de corte	180	Carregamento da bateria através da ficha de carga	204		
Cortar a relva	180	Substituir a lâmpada dos faróis	204		
Programar o desacoplamento automático do mecanismo de corte	181	Motor de combustão	205		
Esvaziar a cesta de recolha de relva	182	Transmissão	205		
Remover e engatar a cesta de recolha da relva	182	Arrumação	205		
Puxar cargas	183	Imobilização no caso de paragens mais longas (por exemplo, período de inverno)	205		
Utilização em encostas	184	Após pausas mais longas (p. ex., período de inverno)	206		
<b>Mecanismo de corte</b>	<b>184</b>	<b>Transporte</b>	<b>206</b>		
Desmontar o mecanismo de corte	184	<b>Peças de reposição comuns</b>	<b>206</b>		
Montar o mecanismo de corte	187	<b>Acessórios</b>	<b>207</b>		
<b>Manutenção</b>	<b>189</b>	<b>Proteção do meio ambiente</b>	<b>207</b>		
Plano de manutenção	190	<b>Minimização do desgaste e prevenção de danos</b>	<b>207</b>		
Limpar o aparelho	191	<b>Declaração de conformidade</b>	<b>208</b>		
Abrir o capot	191	Declaração de conformidade UE do trator corta-relva STIHL RT 5097.1, RT 5097.1 Z, RT 5112.1 Z, RT 6112.1 ZL, RT 6127.1 ZL	208		
Fechar o capot	192	<b>Dados técnicos</b>	<b>209</b>		
Desmontar o canal de expulsão	192	Dimensões	212		
Montar o canal de expulsão	192				
Torneira do combustível	193				
Verificar o nível de enchimento do óleo do motor	193				
Mudança de óleo do motor	193				
Reabastecer com óleo do motor	194				



## 2. Sobre este manual de utilização

### 2.1 Generalidades

O presente instruções de utilização é uma **tradução das instruções de utilização originais** do fabricante na aceção da Diretiva CE 2006/42/EC.

A STIHL desenvolve continuamente a sua gama de produtos, pelo que reservamos o direito de modificar os componentes fornecidos em termos da forma, especificações técnicas e equipamento. Por esta razão, não se aceitam reclamações quanto a inexatidão das informações e ilustrações contidas neste manual.

Neste manual de utilização, poderão ser descritos modelos que não estão disponíveis em todos os países.

Este manual de utilização está protegido por direitos de autor. Todos os direitos estão reservados, em particular o direito de reprodução, tradução e processamento com sistemas eletrónicos.

### 2.2 Instruções sobre a leitura do manual de utilização

As imagens e os textos descrevem determinados passos de operação.

Todos os símbolos gráficos aplicados no aparelho são explicados neste manual de utilização.

#### Perspetiva:

Perspetiva ao utilizar as designações "esquerda" e "direita" no manual de utilização:  
O utilizador encontra-se atrás do aparelho e olha para a frente no sentido de marcha.

#### Referência de capítulo:

Uma seta remete para os respetivos capítulos e subcapítulos para mais explicações. O seguinte exemplo indica uma referência para um capítulo: (⇒ 4.)

#### Identificação de secções de texto:

As instruções descritas podem ser identificadas conforme os exemplos que se seguem.

Passos de operação que necessitam da intervenção do utilizador:

- Solte o parafuso (1) com uma chave de fendas, acione a alavanca (2)...

Enumerações gerais:

- Utilização do produto em eventos desportivos ou concursos

#### Textos com especial relevância:

As secções de texto com especial relevância são identificadas com um dos símbolos descritos a seguir, de modo a dar-lhes destaque adicional no manual de utilização.



#### Perigo!

Perigo de acidentes e ferimentos graves para pessoas. Um determinado comportamento é necessário ou deve ser omitido.



#### Aviso!

Perigo de ferimentos para pessoas. Um determinado comportamento evita ferimentos possíveis ou prováveis.



#### Cuidado!

Ferimentos ou danos materiais ligeiros que podem ser evitados através de um determinado comportamento.



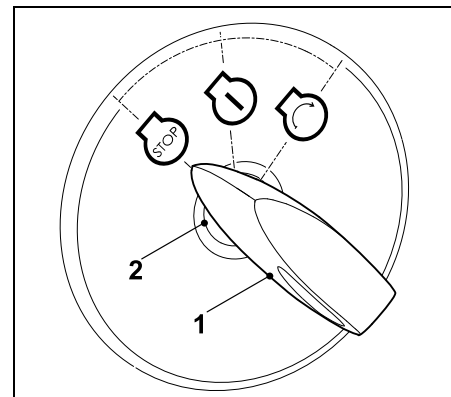
#### Nota

Informação para uma melhor utilização do aparelho e para evitar possíveis falhas na utilização.

#### Imagens com textos:

Poderá encontrar passos de operação com ligação direta à imagem imediatamente após a imagem com os respetivos números de item.

Exemplo:



Insira a chave de ignição (1) no fecho da ignição (2).

#### Textos com referência a imagens:

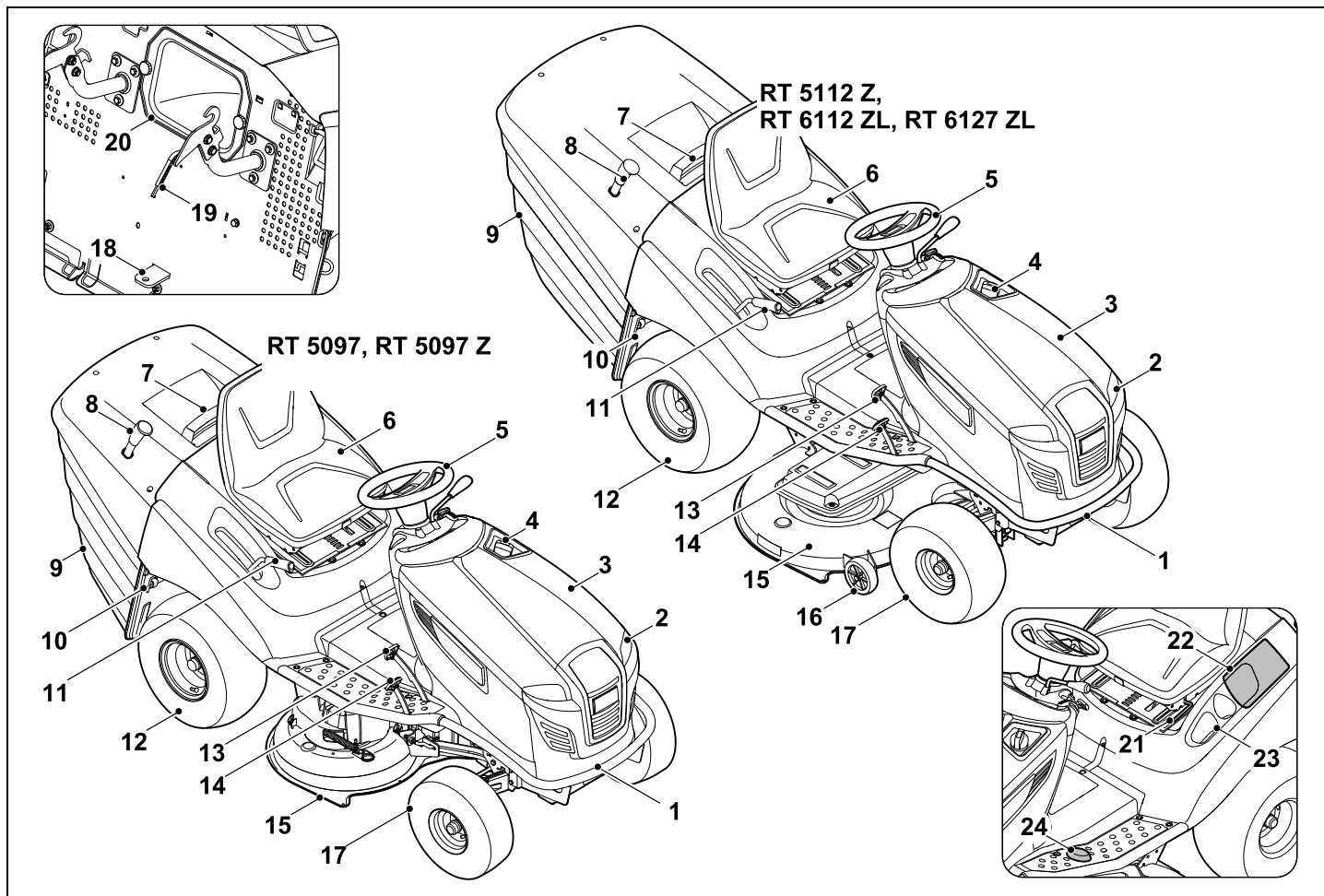
As figuras que esclarecem a utilização do aparelho encontram-se no início do manual de utilização.

O símbolo da câmara serve para associar as imagens nas páginas de imagens à respetiva parte do texto no manual de utilização.



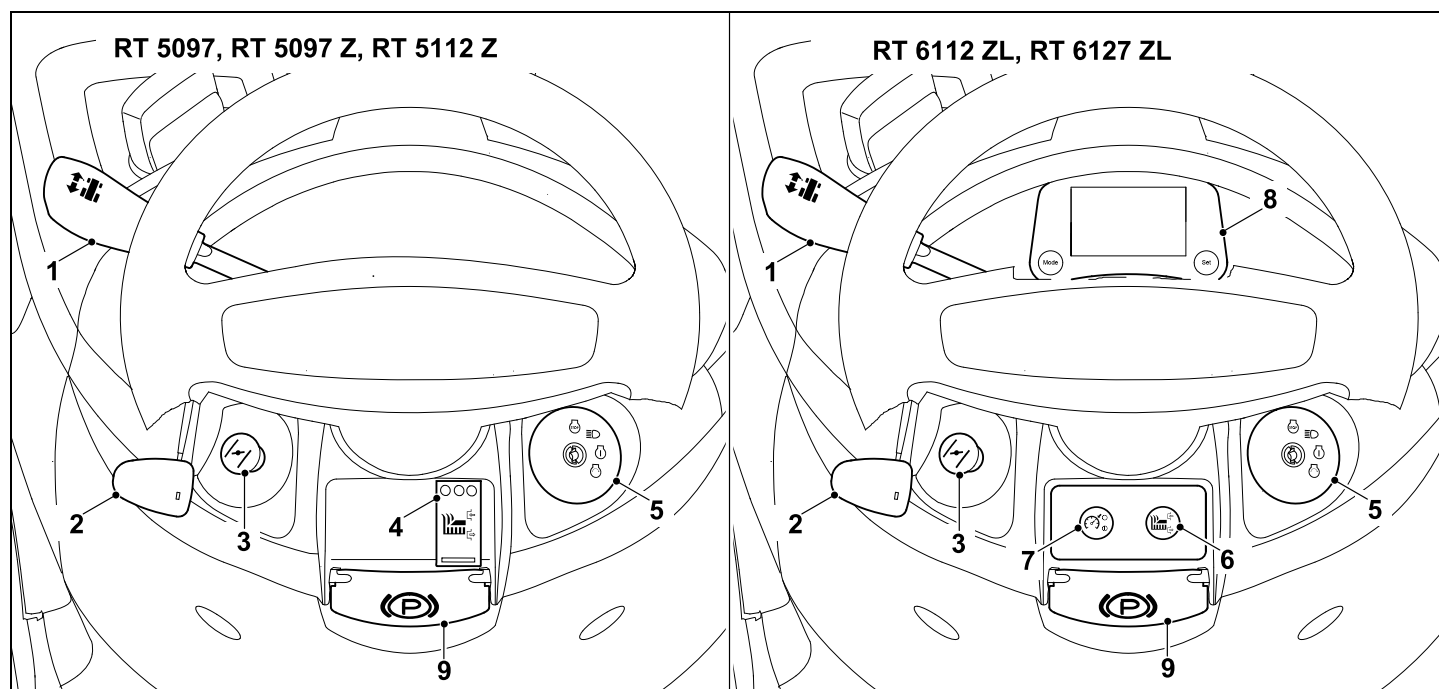
### 3. Descrição do aparelho

#### 3.1 Trator corta-relva



- 1 Para-choques
- 2 Farol
- 3 Capot
- 4 Tampa do depósito
- 5 Volante
- 6 Assento do condutor
- 7 Pega da cesta de recolha de relva com arco de bloqueio da cesta de recolha de relva
- 8 Alavanca de esvaziamento da cesta de recolha de relva
- 9 Cesta de recolha de relva
- 10 Arco do funcionamento livre da transmissão
- 11 Alavanca do ajuste da altura de corte
- 12 Roda traseira
- 13 Pedal do travão
- 14 Pedal de acionamento (velocidade de marcha)
- 15 Mecanismo de corte
- 16 Rodas de contacto
- 17 Roda dianteira
- 18 Dispositivo de reboque
- 19 Sensor do nível de enchimento (cesta de recolha de relva)
- 20 Canal de expulsão
- 21 Alavanca de ajuste do assento do condutor
- 22 Compartimento da bateria
- 23 Espaço para bebidas
- 24 Interruptor de segurança do corte em marcha atrás

### 3.2 Painel de instrumentos



- 1 Alavanca de seleção do sentido de marcha (marcha de avanço – marcha atrás) (⇒ 8.9)
- 2 Alavanca do acelerador com função choke integrada (RT 5097) (⇒ 8.2)
- 2 Alavanca do acelerador (RT 5097 Z, RT 5112 Z, RT 6112 ZL, RT 6127 ZL) (⇒ 8.3)
- 3 Botão choke (RT 5097 Z, RT 5112 Z, RT 6112.1 ZL, RT 6127.1 ZL) (⇒ 8.4)

- 4 Interruptor do mecanismo de corte (RT 5097, RT 5097 Z, RT 5112 Z) (⇒ 8.5)
- 5 Fecho da ignição com interruptor da luz (⇒ 8.1)
- 6 Tecla do mecanismo de corte (RT 6112 ZL, RT 6127 ZL) (⇒ 8.6)
- 7 Tecla do controlo de velocidade (RT 6112 ZL, RT 6127 ZL) (⇒ 8.7)
- 8 Visor com teclas de comando (RT 6112 ZL, RT 6127 ZL) (⇒ 10.)

- 9 Alavanca do travão de estacionamento (⇒ 8.14)

## 4. Para sua segurança

### 4.1 Generalidades



Ao trabalhar com o aparelho, deverá obrigatoriamente seguir as seguintes instruções de prevenção de acidentes.



Antes da primeira colocação em funcionamento, é necessário ler atentamente todo o manual de utilização. Guarde o manual de utilização com cuidado para futura utilização.

Siga as instruções de funcionamento e de manutenção, as quais poderão ser consultadas no manual de utilização do motor de combustão, fornecido em separado.

Estas medidas preventivas são imprescindíveis para a sua segurança; no entanto, a listagem não é definitiva. Utilize o aparelho sempre com cuidado e com consciência da responsabilidade, tendo em consideração que o utilizador é responsável por eventuais acidentes causados a terceiros ou aos seus bens.



#### **Perigo de morte por asfixia!**

Perigo de asfixia para crianças que brinquem com os materiais da embalagem. Mantenha os materiais da embalagem fora do alcance de crianças.

Por princípio, o aparelho, incluindo todos os aparelhos acopláveis, apenas pode ser entregue ou emprestado a pessoas que tenham sido instruídas ou que estejam familiarizadas com este modelo e

respetivo manuseamento. O manual de instruções é parte integrante do aparelho e tem de ser sempre fornecido.

Certifique-se de que o utilizador está em plena posse das suas capacidades físicas, sensoriais e mentais para utilizar e trabalhar com o aparelho. Caso o utilizador apresente capacidades físicas, sensoriais ou mentais limitadas para tal, o utilizador apenas poderá trabalhar com o aparelho sob supervisão ou de acordo com as indicações de uma pessoa responsável.

Garanta que o utilizador é maior de idade ou devidamente formado numa atividade sob supervisão, de acordo com a regulamentação nacional.

Utilize o aparelho apenas se estiver descansado e se estiver em boas condições físicas e psíquicas. Se sofrer de algum problema de saúde, informe-se junto do seu médico sobre se pode trabalhar com o aparelho. Após a ingestão de bebidas alcoólicas, drogas ou medicamentos que possam afetar o poder de reação, não é permitido trabalhar com o aparelho.

#### **Atenção – Perigo de acidentes!**

O trator corta-relva destina-se exclusivamente a cortar relva; não é permitida qualquer outra utilização.

O aparelho pode ser equipado com acessórios STIHL originais. Dessa forma, são possíveis outras utilizações. O distribuidor oficial da STIHL poderá fornecer-lhe informações relativas a essa questão.

Devido ao risco de ferimentos do utilizador ou de outras pessoas, o aparelho não deverá ser utilizado nos seguintes casos (lista incompleta):

– para cortar trepadeiras,

- para triturar ou lascar ramagens de árvores ou aparas de sebes,
- para limpar passeios (aspiração, expulsão por sopro),
- para limpar a neve com auxílio do mecanismo de corte,
- para cuidar de relvados em telhados,
- para aplanar o solo, por exemplo, para aplanar montes de toupeiras,
- nem para transportar material a cortar, exceto na cesta de recolha de relva concebida para o efeito.

O aparelho não é autorizado para a circulação em vias públicas.

Não é permitido o transporte de pessoas (especialmente crianças) e animais.

Nunca suba para cima do mecanismo de corte, especialmente para as rodas de contacto.

O transporte de objetos no aparelho não é permitido, exceto exclusivamente com o auxílio de reboques STIHL autorizados (acessórios). É necessário respeitar os limites de peso. (⇒ 13.11)

Durante a utilização em parques públicos, em instalações desportivas, em ruas e em empresas agrárias e florestais, dever-se-á tomar cuidados especiais.

O aparelho não pode ser utilizado em eventos desportivos ou concursos.

Por motivos de segurança, é proibida qualquer alteração ao aparelho, com exceção da montagem de acessórios e aparelhos acopláveis autorizados pela STIHL. Qualquer alteração resultará na invalidação do direito à garantia. Poderá obter informações sobre acessórios e aparelhos acopláveis autorizados junto do seu distribuidor oficial STIHL.

Em particular, é proibida qualquer alteração ao aparelho que altere a potência, a rotação do motor de combustão ou a velocidade de marcha.

O aparelho está equipado com um sistema eletrónico que não deve ser alterado ou retirado.

O software do aparelho nunca pode ser alterado ou manipulado, por motivos de segurança.



### **Atenção! Risco para a saúde devido às vibrações!**

Uma grande carga de vibrações pode causar danos aos

sistemas circulatório e nervoso, especialmente em pessoas com problemas circulatórios. Consulte um médico caso ocorram sintomas que possam ser causados por vibrações. Entre estes sintomas, que ocorrem principalmente nos dedos, mãos ou pulsos, incluem-se por exemplo (enumeração incompleta):

- perda de sensibilidade,
- dores,
- fraqueza muscular,
- descoloração da pele,
- sensação de formigueiro desagradável.

Durante o funcionamento, fixe firmemente o guiador com ambas as mãos nos locais previstos, mas sem tensão.

Programar o tempo de trabalho de modo a evitar cargas elevadas num período de tempo grande.

---

## **4.2 Formação – Aprender a utilizar o aparelho**

Familiarize-se com os elementos de comando e com as peças de comando, bem como com a utilização do aparelho. O utilizador tem de saber em particular como parar rapidamente a ferramenta de trabalho e o motor de combustão do aparelho.

O aparelho só pode ser utilizado por pessoas que tenham lido o manual de utilização e estejam familiarizadas com o manuseamento do aparelho. Antes da primeira colocação em funcionamento, o utilizador deve procurar obter instruções técnicas e práticas. O utilizador tem de ser instruído pelo vendedor ou por outra pessoa competente sobre a utilização do aparelho.

Com essas instruções, o utilizador deverá aprender em particular

- que é necessário ter o máximo cuidado e concentração para trabalhar com o aparelho.
- que um trator corta-relva que desliza numa encosta não pode ser controlado através do acionamento do travão.

As principais causas de perda de controlo do trator corta-relva podem ser, entre outras:

- aderência insuficiente das rodas ao solo,
- condução demasiado rápida,
- travagem inadequada,
- utilização inadequada (eventos desportivos, etc.),

- conhecimentos deficientes sobre efeitos relacionados com as condições do solo, nomeadamente em encostas (consulte o ponto "Trabalhar em encostas" no capítulo "Para sua segurança"),
- engate incorreto de cargas e má distribuição da carga.

Mesmo quando utiliza o aparelho corretamente, existem sempre alguns riscos residuais.

---

## **4.3 Transporte do trator corta-relva**

O trator corta-relva pode provocar ferimentos graves por esmagamento devido ao seu próprio peso. Ao montar e descarregar o trator corta-relva para o transporte num veículo ou reboque, proceda com especial cuidado.

Este trator corta-relva não pode ser rebocado. Para o transporte em vias públicas, é necessário utilizar um veículo ou reboque adequados.

Durante o transporte, fixe o trator corta-relva numa superfície de carga, tal como descrito neste manual de utilização. Acione sempre o travão de estacionamento. (⇒ 16.)

Antes do transporte, desacople o acionamento da lâmina de corte ou dos aparelhos acopláveis.

No transporte do aparelho, deve ser respeitada a legislação regional em vigor, em particular a que diz respeito à proteção das cargas e ao transporte de objetos em superfícies de carga.

Deixe o aparelho arrefecer por completo (em particular, o motor de combustão e o silenciador) após o processo de carga e antes do transporte seguinte. Durante o

transporte, a superfície de carga e a área à volta do silenciador e do motor de combustão deverão manter-se isentas de materiais combustíveis, tais como palha, folhas ou restos de relva secos.

#### 4.4 Abastecer – Manuseamento da gasolina



##### Perigo de morte!

A gasolina é tóxica e altamente inflamável.

Guarde a gasolina apenas nos recipientes previstos e verificados para esse efeito (bidões). Enrosque e aperte sempre devidamente as tampas dos recipientes de abastecimento. Por motivos de segurança, as tampas defeituosas devem ser substituídas.



Mantenha a gasolina afastada de faíscas, chamas vivas, chamas piloto, fontes de calor e outras fontes de ignição. Não

fume!

Reabasteça apenas ao ar livre e não fume durante o processo de abastecimento.

Antes de abastecer, desligue o motor de combustão e deixe-o arrefecer.

O abastecimento de gasolina deverá ser realizado antes de o motor de combustão ser ligado. Enquanto o motor de combustão estiver a funcionar ou a máquina estiver quente, não é permitido abrir o bujão de fecho do depósito nem reabastecer com gasolina.

Abra o bujão de fecho do depósito de forma cuidadosa e lenta. Aguarde pela compensação de pressão e remova a tampa do depósito apenas em seguida.

Para o abastecimento, utilize um funil adequado ou um tubo de enchimento, para que não saia combustível para o motor de combustão e para o cárter ou para a relva.

##### Não encha o depósito de combustível em demasia!

No sentido de permitir que o combustível tenha espaço para se expandir, nunca adicione combustível acima do rebordo inferior do bocal de enchimento. Adicionalmente, respeite as indicações no manual de utilização do motor de combustão.



Caso transborde gasolina, o motor de combustão apenas deve ser ligado depois de a superfície suja com gasolina ser limpa. Dever-se-á evitar qualquer tentativa de ignição até que os vapores da gasolina se tenham volatilizado (secar com pano).

Limpe imediatamente qualquer combustível derramado.

Se a gasolina tiver entrado em contacto com o vestuário, este tem de ser mudado.

A tampa do depósito tem de ser devidamente enroscada e apertada após cada processo de abastecimento. Não deverá colocar o aparelho em funcionamento sem a tampa do depósito original estar enroscada.

Por motivos de segurança, é necessário verificar regularmente se a conduta, o depósito, o bujão de fecho do depósito e respetivas ligações apresentam danos, sinais de envelhecimento (fragilidade), assentamento firme e pontos não estanques e, se necessário, substituí-los (procure um distribuidor oficial; a STIHL recomenda o distribuidor oficial STIHL).

Caso pretenda esvaziar o depósito, deverá fazê-lo ao ar livre.

Nunca utilize garrafas ou semelhantes para remover ou armazenar produtos de serviço como, por exemplo, combustível. Alguém, em particular crianças, poderá ser levado a bebê-las.

Nunca guarde o aparelho com gasolina no depósito dentro de um edifício. Os vapores de gasolina que se formam podem entrar em contacto com chamas ou faíscas e inflamarem-se.

Nunca coloque o aparelho e o recipiente de combustível nas proximidades de aquecimentos, radiadores, aparelhos de soldadura e outras fontes de calor. **Perigo de explosão!**

#### 4.5 Vestuário e equipamento



Durante o trabalho, utilize sempre calçado justo com sola antiderrapante. Nunca trabalhe descalço ou com sandálias, por exemplo.

O aparelho apenas pode ser colocado em funcionamento com calças compridas e vestuário justo.

Nunca utilize vestuário solto que possa ficar pendurado em peças móveis (alavanca de comando) - não utilize também joias, gravatas ou cachecóis.



Em trabalhos de manutenção e limpeza, bem como no transporte do aparelho, utilize também sempre luvas justas e prenda o cabelo comprido (elástico, gorro, etc.).



Ao afiar a lâmina de corte, é necessário utilizar óculos de proteção adequados.



Durante o trabalho, é produzido ruído. O ruído pode provocar problemas auditivos.

Use uma proteção auditiva.

#### 4.6 Antes dos trabalhos

Certifique-se de que o aparelho apenas é utilizado por pessoas familiarizadas com o manual de utilização.

Antes de colocar o aparelho em funcionamento, verifique a estanqueidade do sistema de combustível, particularmente as peças visíveis como, por exemplo, o depósito, o bujão de fecho do depósito e as uniões dos tubos flexíveis. Em caso de fugas ou danos, não ligue o motor de combustão – **perigo de incêndio!**

Solicite a reparação do aparelho a um distribuidor oficial antes da colocação em funcionamento.

Tenha em conta as normas municipais sobre as horas em que é permitido usar aparelhos de jardinagem com motor de combustão ou motor elétrico.

Verifique todo o terreno em que irá aplicar o aparelho e retire todas as pedras, paus, arames, brinquedos e corpos estranhos que porventura podem ser projetados pelo aparelho. Os obstáculos (por exemplo, troncos de árvores, raízes) podem não ser vistos no meio da relva alta.

Como tal, antes de trabalhar com o aparelho, marque todos os objectos estranhos (obstáculos) escondidos no relvado que não seja possível remover.

Antes da utilização do aparelho, substitua os componentes avariados, gastos e danificados. Substitua os avisos de perigo e alerta no aparelho que se tenham

tornado ilegíveis ou estejam danificados. O seu distribuidor oficial STIHL tem disponíveis avisos autocolantes de reposição e todas as restantes peças de reposição.



#### Perigo de ferimentos!

As peças gastas ou danificadas (por exemplo, lâminas embotadas) podem afetar a segurança do aparelho e causar ferimentos no utilizador.

Nunca utilize o aparelho se os dispositivos de proteção estiverem danificados ou se não estiverem montados.

Os mecanismos com mola podem libertar a energia armazenada. Os mecanismos com mola têm de estar intactos e de funcionar.

O funcionamento dos travões deverá ser verificado antes de cada colocação em funcionamento. (⇒ 13.5)

Antes de cada colocação em funcionamento, é necessário verificar:

- se a ferramenta de corte e toda a unidade de corte (lâmina de corte, acoplamento da lâmina, travão da lâmina, cavilhas de fixação, cárter do mecanismo de corte) se encontram em perfeitas condições. Em particular, é necessário estar atento ao correto assentamento e à presença de danos e desgaste.
- se a tampa do depósito está aparafusada.
- se o depósito, os componentes de condução de combustível e a tampa do depósito se encontram em perfeitas condições.

- se os dispositivos de segurança se encontram em perfeitas condições e se funcionam devidamente.
- se os pneus (pressão do ar, danos, desgaste) e o quadro se encontram em perfeitas condições. É necessário verificar o correto assentamento das uniões roscadas. Em particular, efetue todos os trabalhos de manutenção mencionados no plano de manutenção na rubrica "Antes de cada colocação em funcionamento". (⇒ 15.1)

Caso necessário, dirija-se ao seu distribuidor oficial. A STIHL recomenda os distribuidores oficiais STIHL.

#### 4.7 Durante o trabalho



Nunca trabalhe enquanto estiverem próximas pessoas, em particular crianças ou animais. Certifique-se de que a relva nunca é expulsa na direção de terceiros.

Não trabalhe com o aparelho à chuva, trovoadas e, em particular, sob o perigo de relâmpagos.

#### Gases de escape:



#### Perigo de morte por envenenamento!

Em caso de enjoos, dores de cabeça, problemas de visão (por exemplo, redução do campo de visão), problemas de audição, tonturas, redução da capacidade de concentração, pare imediatamente o trabalho. Estes sintomas podem ser provocados, entre outras coisas, devido a concentrações de gases de escape demasiado elevadas.





O aparelho produz gases de escape venenosos assim que o motor de combustão arranca.

Esses gases contêm monóxido de carbono tóxico, um gás incolor e inodoro, bem como outras matérias nocivas. O motor de combustão nunca pode ser colocado em funcionamento em espaços fechados ou mal arejados.

### Ligar:

O aparelho apenas pode ser ligado a partir do assento do condutor.

Ligue o aparelho numa superfície plana, não em encostas.

O motor de combustão apenas pode ser ligado numa área de trabalho bem ventilada; em garagens, em particular, é necessário garantir uma ventilação suficiente.

Antes de ligar o motor de combustão, desacople a ferramenta de corte, os aparelhos acopláveis e o acionamento e carregue no pedal do travão até ao fundo.

Durante o arranque, certifique-se de que existe uma distância suficiente entre os pés e a ferramenta de corte.

Nunca ligue o motor de combustão provocando um curto-circuito no borne do motor de arranque. Se o circuito do motor de arranque normal for contornado, o trator corta-relva pode colocar-se de repente em movimento.

Nunca ligue o motor de combustão se detetar um cheiro a gasolina – **perigo de explosão!**

### Utilização no trabalho:



#### Aviso – Perigo de ferimentos!

Observe a área de trabalho da lâmina de corte. Nunca aproxime as mãos ou os pés de peças em rotação. Nunca toque na lâmina de corte em rotação. Mantenha-se sempre afastado da abertura de expulsão. Deverá manter-se sempre uma distância de segurança suficiente.



Trabalhe apenas à luz do dia ou com boa iluminação artificial.

Ao conduzir fora da relva ou se não se estiver a cortar, as lâminas de corte têm de ser desacopladas e o mecanismo de corte tem de ser colocado na posição de corte mais elevada.

Os objetos escondidos na relva (instalações de irrigação de relva, estacas, torneiras de água, fundações, cabos elétricos, etc.) têm de ser contornados. Nunca passe por cima desses objetos estranhos.

Durante a marcha, segure sempre bem no volante com as duas mãos.

Tenha especial cuidado ao percorrer relevados e outras áreas que não sejam planas, pois o volante poderá rodar automaticamente devido aos buracos, montes, choques, etc.

#### Perigo de ferimentos nas mãos e dedos!

Se, durante o funcionamento, for constatada uma avaria no depósito, na tampa do depósito ou em peças de condução de combustível (condutas de combustível), será necessário desligar imediatamente o motor de combustão. Em

seguida, dirija-se a um distribuidor oficial. A STIHL recomenda os distribuidores oficiais STIHL.

Preste atenção a depressões (orifícios) no terreno e a outros locais de perigo invisíveis. Os obstáculos podem não ser vistos no meio da relva alta.

Conduza sempre com uma velocidade adequada.

Utilize o aparelho com especial cuidado quando estiver a trabalhar nas proximidades de encostas, aterros, arestas de terrenos, valas e diques. Em particular, tenha a atenção de se manter a uma distância suficiente desses locais de perigo.

Deve prestar-se especial atenção em locais com pouca visibilidade, arbustos, árvores e outros obstáculos atrás dos quais se podem encontrar pessoas, nomeadamente crianças ou animais.

Pare imediatamente o trator corta-relva e desligue as lâminas de corte quando alguém aceder à área de corte.

Supervisione sempre a área em frente ao veículo. Preste atenção a obstáculos para se poder desviar deles atempadamente.

Caso trabalhe em grupo, é necessário comunicar sempre aos outros o que tenciona fazer. Observe a distância de segurança!

Antes de cada mudança de sentido, é necessário reduzir a velocidade de marcha de modo que o utilizador mantenha sempre o controlo sobre o aparelho e o trator corta-relva também não possa tombar.

Durante o funcionamento nas proximidades de estradas e ao passar em vias públicas, é necessário prestar atenção aos outros utentes da estrada.

Antes de cada marcha atrás, controle a área atrás do trator corta-relva e, caso exista, desacople o aparelho acoplável. Nunca corte em marcha atrás se não for absolutamente necessário. Ao cortar em marcha atrás, tenha especial cuidado e, antes de iniciar o corte, verifique minuciosamente toda a área atrás do trator corta-relva.

É necessário ter especial cuidado ao cortar a relva perto de estradas, vias para bicicletas e vias para peões. As peças projetadas para fora podem provocar ferimentos e danos graves.

Esvazie a cesta de recolha de relva apenas a partir do assento do condutor.

Antes do esvaziamento da cesta de recolha de relva, desacople sempre as lâminas de corte e aguarde que estas parem.

Se o trator corta-relva estiver a funcionar com aparelhos acopláveis, será necessário seguir sempre as instruções e as normas de segurança fornecidas juntamente com os aparelhos acopláveis.

Desligue o acionamento, desligue o motor de combustão e aguarde até as lâminas de corte pararem por completo; acione o travão de estacionamento e retire a chave de ignição:

- ao abandonar ou transportar o aparelho.
- antes de eliminar bloqueios ou entupimentos no canal de expulsão.
- antes de verificar, limpar ou trabalhar no trator corta-relva.
- se as lâminas de corte tiverem batido num corpo estranho. Procure danos na máquina e na ferramenta de corte e mande efetuar as reparações necessárias antes de

efetuar um novo arranque. Verifique ainda a montagem das lâminas de corte nos modelos RT 5112 Z, RT 6112 ZL, RT 6127 ZL – o mecanismo de corte não pode ser acoplado se os gumes estiverem num ângulo diferente, tal como indicado no capítulo "Manutenção das lâminas de corte". (⇒ 15.13)

- se o aparelho começar a vibrar fortemente, de modo invulgar. É essencial efetuar imediatamente uma verificação.

Desligue o motor de combustão e aguarde até as lâminas de corte pararem por completo:

- antes de encher com combustível,
- antes de remover a cesta de recolha de relva,
- antes da abertura do capot.

#### **Condução com o controlo de velocidade:**

A ativação do controlo de velocidade com condições do chão molhadas ou desfavoráveis, bem como ao puxar cargas, provoca um risco de acidente elevado.

Ao desligar o controlo de velocidade, o trator corta-relva trava abruptamente.

O controlo de velocidade é um meio auxiliar que o apoia durante a condução. A responsabilidade pela velocidade a que conduz e pela travagem atempada é do utilizador.

O controlo de velocidade não reage a obstáculos ou chão alterado. Se não for possível contornar um obstáculo com a velocidade de marcha ajustada, o controlo de velocidade deve ser desligado.

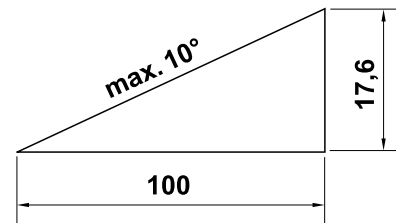
#### **Trabalhar em encostas:**

As encostas são uma das causas principais para acidentes em que se perde o controlo sobre o trator corta-relva e o aparelho tomba, podendo provocar ferimentos graves ou até mortais.

Não existem encostas "seguras". A condução em encostas com relva requer especial atenção.

Por motivos de segurança, o aparelho não poderá ser aplicado em declives com uma inclinação superior a 10° (17,6 %). **Perigo de ferimentos!**

Uma inclinação de terreno de 10° corresponde a uma subida vertical de 17,6 cm num comprimento horizontal de 100 cm.



Caso o aparelho seja utilizado em declives, deverão ser adicionalmente respeitadas as informações constantes no manual de utilização do motor de combustão fornecido, no sentido de garantir uma lubrificação suficiente do motor de combustão.

Se não conseguir subir a encosta em marcha atrás ou tiver dúvidas quanto à segurança, não deverá percorrer essa área.

Deve evitar-se arrancar ou parar em declives.

Não utilize o aparelho em locais como, por exemplo, encostas ou valas onde possa tombar ou escorregar. O perigo de tombar ou escorregar aumenta se o piso estiver solto ou húmido.

As encostas devem ser percorridas no sentido longitudinal. No caso de uma condução no sentido transversal, existe um elevado perigo de capotamento.

Nas deslocações em encostas, não deverão ser efetuadas alterações abruptas de velocidade ou de sentido. Os trabalhos nessas situações exigem uma utilização cuidadosa, suave e uniforme do trator corta-relva.

Devem evitar-se mudanças de sentido em encostas. Vire em encostas apenas se for inevitável; se possível, conduza lentamente e em curva larga no sentido descendente.

Não corte relva molhada, especialmente em encostas, pois a aderência ao solo diminui com a relva molhada. O trator corta-relva poderá escorregar e, como tal, fugir ao controlo do utilizador.

Ao percorrer encostas, a transmissão não deve ser desbloqueada através do funcionamento livre da transmissão.

Ao operar aparelhos acopláveis em encostas, deve ter-se especial cuidado (distribuição alterada do peso no aparelho).

Se as rodas patinarem ou se o veículo ficar preso ao percorrer uma encosta no sentido ascendente, deverá desacoplar-se as lâminas de corte e o aparelho acoplável. Em seguida, abandone a encosta em marcha descendente lenta em linha reta.

Nunca tente estabilizar o trator corta-relva apoiando-o com o pé no chão.

O peso da cesta de recolha de relva aumenta o perigo de capotamento, especialmente quando está cheia.

Nunca esvazie nem levante a cesta de recolha de relva num nível inclinado.

O controlo de velocidade não pode ser utilizado devido a risco de acidente elevado:

- em situações que não permitem a condução com a velocidade constante (p. ex. em condições do chão desfavoráveis devido a chuva ou em encostas).
- em piso escorregadio. As rodas podem perder a aderência e o veículo pode derrapar.
- em caso de má visibilidade (p. ex. com nevoeiro, chuva intensa ou durante a noite).

#### **Puxar cargas:**

Deve ter-se especial cuidado ao puxar cargas, de modo a evitar o perigo de ferimentos graves ou até fatais devido ao tombar do trator corta-relva.

Utilize apenas acessórios autorizados pela STIHL para transportar objetos. O transporte no trator corta-relva, dentro ou em cima da cesta de recolha de relva, não é permitido.

Para puxar cargas, utilize apenas o dispositivo de reboque. As cargas nunca devem ser fixadas no cárter do eixo ou nouro local acima do dispositivo de reboque.

Poderá consultar as indicações sobre carga de tração e no apoio no capítulo "Puxar cargas". (⇒ 13.11)

Exceder as cargas indicadas é perigoso, podendo originar danos no aparelho (motor de combustão, transmissão, etc.).

Ao transportar, as cargas devem ser adaptadas às encostas de modo que o manuseamento seguro do trator corta-relva (por exemplo, travar, mudar de sentido, arrancar) esteja sempre garantido.

Verifique se as cargas foram fixadas de forma adequada e firme. Utilize cintas de fixação para fixar cargas.

Preste atenção à distribuição de carga equilibrada.

Utilize os respetivos pesos adicionais (acessórios) se tal estiver descrito no manual de utilização do aparelho acoplável.

Não percorra curvas estreitas. Deve ter um cuidado especial durante o deslocamento em marcha atrás.

Não efetue alterações abruptas de velocidade ou de sentido.

#### **Parar e desligar:**

O trator corta-relva só deve ser parado numa superfície plana.

Certifique-se de que o trator corta-relva está totalmente parado antes de descer.



**STOP**

Atenção à desaceleração da ferramenta de corte, que leva alguns segundos até parar completamente.

Antes de abandonar o assento do condutor, desacople as lâminas de corte ou o acionamento dos aparelhos acopláveis, baixe o mecanismo de corte e todos os aparelhos acopláveis, desloque todas as alavancas de comando para as suas posições neutras, acione o travão de estacionamento, desligue o motor de combustão e retire a chave de ignição.

Guarde a chave de ignição de modo que só as pessoas autorizadas tenham acesso à mesma.

## 4.8 Manutenção e reparações



Antes de se efetuarem trabalhos de limpeza, ajuste, reparação e manutenção do aparelho, coloque o aparelho num piso firme e plano, acione o travão de estacionamento, desligue o motor de combustão, deixe-o arrefecer e retire a chave de ignição.

Antes de efetuar trabalhos na área do motor de combustão, deixe o coletor de escape e o silenciador do aparelho arrefecer; isto envolve também em particular todos os trabalhos de manutenção no mecanismo de corte. Podem ser atingidas temperaturas de 80 °C e superiores. **Perigo de queimaduras!**

O contacto direto com o óleo do motor pode ser perigoso; para além disso, o óleo do motor não pode ser derramado. A STIHL recomenda que deixe o enchimento ou a mudança do óleo do motor a cargo do distribuidor oficial STIHL.

### Limpeza:

Após o funcionamento, é necessário limpar todo o trator corta-relva e os aparelhos acopláveis. Em particular, todos os restos de relva deverão ser removidos, pois, com o decorrer do tempo, a humidade contida nos restos de relva origina danos.

A STIHL recomenda que não se utilize um aparelho de limpeza de alta pressão. (⇒ 15.2)

Desmonte o mecanismo de corte para efetuar trabalhos de limpeza. Nunca limpe o mecanismo de corte com jatos de água (p. ex. com uma mangueira de jardim) nem em poças de água.

No caso de trabalhos de limpeza (por exemplo, no quadro do trator corta-relva), nunca se aproxime de um canto ou buraco.

De modo a evitar o risco de incêndio, mantenha o motor de combustão, as alhetas de refrigeração, o compartimento da bateria, a área à volta do depósito e o escape livre de relva, folhas ou óleo (massa lubrificante) vertido.

Limpe sempre a cesta de recolha de relva.

### Trabalhos de manutenção:

Apenas podem ser realizados trabalhos de manutenção descritos neste manual de instruções; todos os restantes trabalhos deverão ser executados por um distribuidor oficial.

Se lhe faltarem os conhecimentos e os meios necessários, dirija-se **sempre** a um distribuidor oficial.

A STIHL recomenda a realização de trabalhos de manutenção e de reparação apenas por um distribuidor oficial STIHL. Os distribuidores oficiais STIHL beneficiam de ações de formação regulares e dispõem de informações técnicas.

Utilize apenas ferramentas, acessórios ou aparelhos acopláveis autorizados pela STIHL para este aparelho ou peças tecnicamente idênticas. Caso contrário, poderão ocorrer ferimentos ou danos no aparelho. Em caso de dúvidas, deverá dirigir-se a um distribuidor oficial.

As características das ferramentas, acessórios e peças de substituição originais da STIHL estão adaptadas de

forma ideal ao aparelho e às exigências do utilizador. As peças de reposição STIHL originais podem ser reconhecidas pelo número de peça de substituição STIHL, pela inscrição STIHL e, eventualmente, pela identificação de peça de substituição STIHL. Em peças pequenas, pode estar apenas o símbolo.

O trator corta-relva e todos os aparelhos acopláveis deverão ser verificados uma vez por ano por um distribuidor oficial. (⇒ 15.1)

Mantenha os autocolantes de advertência e de indicação sempre limpos e legíveis. Os autocolantes danificados ou perdidos devem ser substituídos por novas placas originais do seu distribuidor oficial STIHL. Se um componente for substituído por uma peça nova, certifique-se de que a peça nova obtém os mesmos autocolantes.

Por motivos de segurança, os componentes de condução de combustível (condução do combustível, torneira do combustível, depósito de combustível, fecho do combustível, ligações, etc.) devem ser verificados regularmente quanto a danos e locais com fugas e, se necessário, substituídos por um técnico (a STIHL recomenda o distribuidor oficial da STIHL).

Antes de se iniciarem os trabalhos em componentes elétricos ou nas suas proximidades, é necessário desligar o cabo negativo (-) da bateria.

O aparelho está equipado com vários dispositivos de segurança. Estes dispositivos não podem ser removidos nem modificados (ligados em ponte, etc.) e têm de ser verificados em intervalos regulares. Os trabalhos nos dispositivos

de segurança só podem ser efetuados por um especialista. A STIHL recomenda para tal os distribuidores oficiais STIHL.

Certifique-se de que o movimento de uma ferramenta de corte provoca a rotação das outras ferramentas de corte.

Mantenha todas as porcas, cavilhas e parafusos, especialmente os parafusos de fixação das lâminas, bem apertados, para que o aparelho se encontre em condições de funcionamento seguras.

Por motivos de segurança, as peças gastas ou danificadas têm de ser imediatamente substituídas.

Verifique regularmente se o dispositivo de recolha da relva (por exemplo, cesta de recolha de relva, canal de expulsão) está desgastado, danificado ou se perdeu a sua funcionalidade.

Os trabalhos por baixo da máquina requerem um cuidado especial devido ao peso do trator corta-relva. Por esse motivo, dirija-se ao seu distribuidor oficial. A STIHL recomenda os distribuidores oficiais STIHL. Estes possuem um fosso de trabalho ou uma plataforma de trabalho hidráulica.

Verifique a fixação segura das rodas dianteiras e traseiras.

Mantenha o trator corta-relva e os aparelhos acopláveis sempre em perfeitas condições; todos os dispositivos de segurança têm de estar presentes e em perfeitas condições de funcionamento.

Observe a pressão do ar correta nos pneus. A pressão do ar indicada no manual de utilização não pode ser excedida.

Realize os trabalhos nas lâminas de corte apenas com luvas de proteção grossas e com um cuidado especial.

Verifique regularmente o funcionamento do travão em intervalos curtos e, se necessário, solicite os ajustes ou trabalhos de manutenção necessários. A STIHL recomenda os distribuidores oficiais STIHL.

### Sistema elétrico e bateria:

Para evitar a formação de faíscas devido a um curto-circuito, é necessário desligar sempre, em primeiro lugar, o cabo negativo (-) da bateria e ligá-lo novamente em último lugar.



Nunca fume ao efetuar trabalhos na bateria. Mantenha as faíscas, chamas vivas e outras fontes de calor afastados da bateria.

Caso se utilizem cabos de auxílio de arranque, é necessário ter especial cuidado. Observe as respetivas instruções para evitar danos no trator corta-relva (em particular, acione o motor de arranque durante, no máximo, 10 segundos). (⇒ 13.2)

Ao carregar a bateria com outro sistema de carga, observe as indicações do capítulo "Carregar a bateria". (⇒ 15.21)

Nunca abra nem deixe cair a bateria.

Carregue a bateria sempre num local fechado com boa ventilação, seco e protegido das condições atmosféricas.

Não ligue as ligações da bateria em curto-circuito.

As baterias deformadas ou avariadas (a escorrer líquido) não podem ser utilizadas e têm de ser substituídas e eliminadas de forma ecológica. Observe as normas específicas de cada país.

No caso de baterias avariadas, poderá sair líquido. Evite o contacto! Em caso de contacto accidental, lave com água. Se o líquido entrar em contacto com os olhos, procure adicionalmente ajuda médica. O líquido que sai da bateria pode originar irritações da pele, queimaduras e cauterizações.

Através de um controlo visual, verifique regularmente os cabos de ligação na bateria quanto a danos. Solicite a substituição dos cabos danificados a um especialista.

Os fusíveis nunca podem ser ligados em ponte. Nunca insira um fusível com uma capacidade de carga diferente da prescrita (Ampere).

---

### 4.9 Armazenamento no caso de períodos de paragem mais longos

Deixe o motor de combustão arrefecer antes de colocar o aparelho num compartimento fechado.

Guarde o trator corta-relva com o depósito vazio e a reserva de combustível num compartimento que possa ser bem fechado e bem ventilado.

Nunca guarde o aparelho com gasolina no depósito de combustível dentro de um edifício, pois os vapores da gasolina poderão eventualmente entrar em contacto com chamas ou faíscas.

Caso pretenda esvaziar o depósito (por exemplo, paragem antes do período de inverno), o esvaziamento do depósito de combustível apenas se deve realizar ao ar livre (esvaziar o depósito, por exemplo, deixando funcionar o motor de combustão ao ar livre).

Armazene o aparelho num estado operacionalmente seguro.

A chave de ignição tem de ser sempre retirada e guardada de forma segura para evitar uma utilização não autorizada ou inadequada por parte de crianças ou outras pessoas.

Limpe minuciosamente o trator corta-relva antes do armazenamento. Os restos de relva secos e as folhas junto ao silenciador podem incendiar-se. **Perigo de inflamação!**

Deixe o aparelho arrefecer por completo antes de o cobrir.

Antes do armazenamento, efetue todos os trabalhos de manutenção necessários. (⇒ 15.1)

Se o trator corta-relva não for utilizado durante um período mais longo, é necessário desligar os cabos da bateria. A STIHL recomenda que se desmonte a bateria e que se armazene a bateria carregada num compartimento seco e fechado. (⇒ 15.19)

Certifique-se de que as baterias estão protegidas contra uma utilização indevida (por exemplo, por crianças).

#### 4.10 Eliminação

Os lixos como o óleo antigo ou o combustível, lubrificante, filtros e baterias usados e peças de desgaste semelhantes podem prejudicar os seres humanos, os animais e o meio-ambiente e, como tal, têm de ser devidamente eliminados.

Dirija-se ao seu centro de reciclagem ou ao seu distribuidor oficial para saber como os resíduos devem ser eliminados adequadamente. A STIHL recomenda os distribuidores oficiais STIHL.

Certifique-se de que um aparelho já desativado é encaminhado para ser eliminado de maneira tecnicamente correta. Antes de proceder à eliminação, inutilize o aparelho. No sentido de evitar acidentes, remova em particular a chave de ignição, a bateria e o cabo de ignição do motor de combustão.

#### Perigo de ferimentos na lâmina de corte!

Nunca deixe um trator corta-relva desativado sem alguém a vigiar. Certifique-se de que o aparelho e, em particular, as lâminas de corte são guardados fora do alcance das crianças.

A bateria tem de ser eliminada separadamente do aparelho. É necessário garantir que as baterias são eliminadas de forma segura e ecológica.

## 5. Descrição de símbolos



#### Atenção!

Antes da colocação em funcionamento, leia e observe o manual de utilização e as indicações de segurança.



#### Perigo de ferimentos!

Antes de todos os trabalhos na ferramenta de corte e antes dos trabalhos de manutenção e de limpeza, extraia a chave de ignição.



#### Atenção!

Cuidado com objetos projetados - mantenha a distância e terceiros afastados.



#### Atenção!

Com o motor de combustão a trabalhar, preste atenção relativamente a peças projetadas – trabalhe com a cesta de recolha de relva ou deflector (acessórios especiais).



#### Perigo de ferimentos!

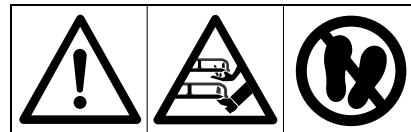
Não conduza nem corte relva em encostas com uma inclinação superior a 10° (17%).

#### Perigo de capotamento!



#### Perigo de ferimentos!

Mantenha terceiros afastados da zona de risco.



#### Atenção!

Nunca toque na zona de trabalho das lâminas de corte enquanto o motor de combustão estiver a funcionar.

#### Perigo de ferimentos!

Não aceda ao mecanismo de corte.



### **Perigo de queimaduras!**

Não toque nas superfícies quentes e mantenha a distância. As peças do motor de combustão, em particular o silenciador, atingem temperaturas extremamente altas.



### **Perigo de morte por envenenamento!**

Em caso de enjoos, dores de cabeça, problemas de visão (por exemplo, redução do campo de visão), problemas de audição, tonturas, redução da capacidade de concentração, pare imediatamente o trabalho. Estes sintomas podem ser provocados, entre outras coisas, devido a concentrações de gases de escape demasiado elevadas.



### **Perigo de morte!**

A gasolina é tóxica e altamente inflamável. Mantenha a gasolina afastada de faíscas, chamas vivas, chamas piloto, fontes de calor e outras fontes de ignição. Não fume!

Antes de abastecer, desligue o motor de combustão e deixe-o arrefecer.

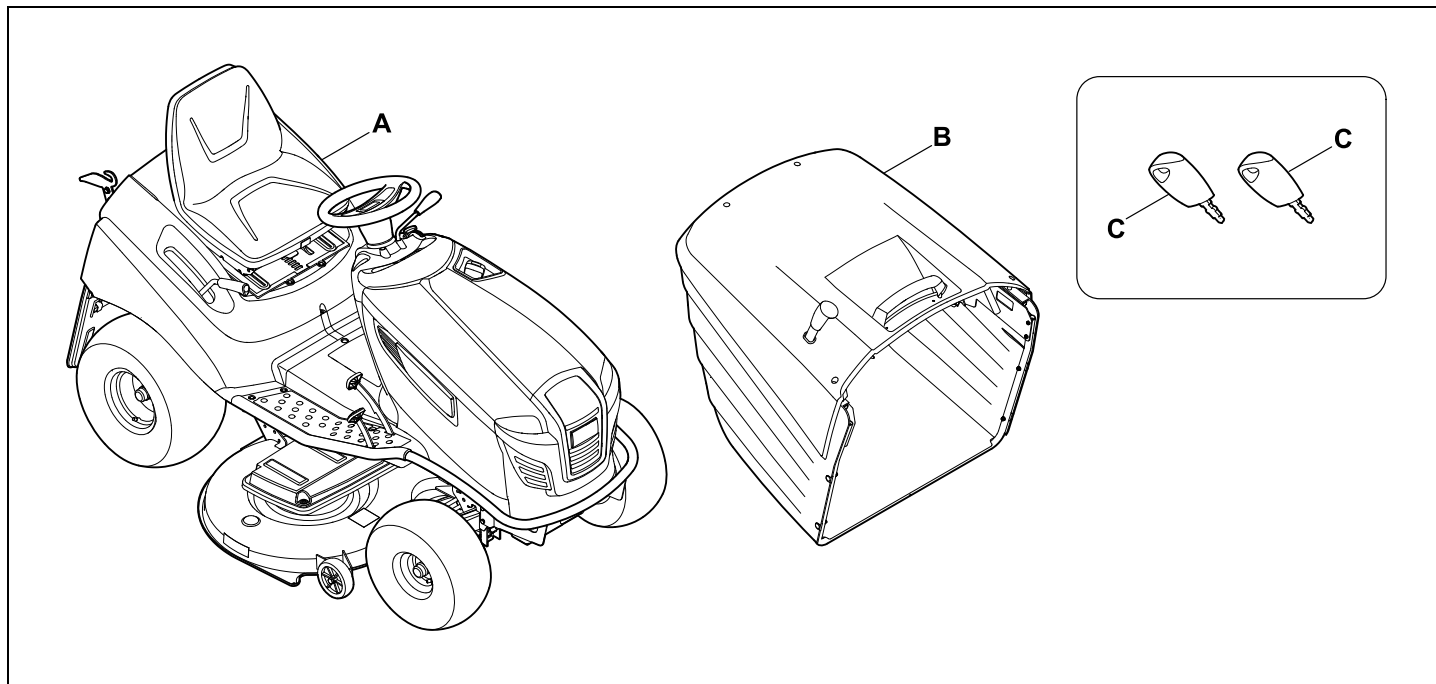


### **Perigo de ferimentos!**

Durante o trabalho, é produzido ruído. O ruído pode provocar problemas auditivos.

Use uma proteção auditiva.

## 6. Fornecimento



Item	Designação	Unids.
A	Aparelho base	1
B	Cesta de recolha de relva	1
C	Chave de ignição	2
-	Manual de utilização	1
-	Manual de utilização do motor de combustão	1



## 7. Trabalhos a realizar antes da primeira colocação em funcionamento



### Aviso!

Antes de todos os trabalhos no trator corta-relva, leia e observe cuidadosamente o capítulo "Para sua segurança". (⇒ 4.)

- Verifique o nível de enchimento do óleo do motor. (⇒ 15.8)
- Encha com combustível. (⇒ 13.1)
- Abra a torneira do combustível. (⇒ 15.7)
- Corrija a pressão dos pneus. (⇒ 15.16)

## 8. Elementos de comando

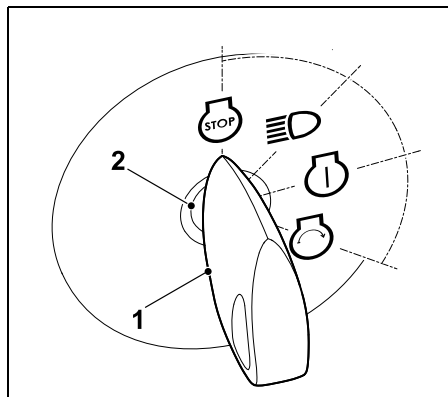
### 8.1 Fecho da ignição com interruptor da luz

O fecho da ignição serve para ligar e desligar o motor de combustão e para ligar e desligar os faróis.



### Evite danos no aparelho!

A inserção e remoção da chave de ignição só funciona na posição "Motor de combustão desligado". Opere o fecho da ignição apenas com a chave de ignição adequada – nunca utilize uma chave de parafusos ou semelhante.



Insira a chave de ignição (1) no fecho da ignição (2).

Ao rodar a chave de ignição, é possível selecionar as seguintes **quatro** posições:

#### Motor de combustão desligado:



O motor de combustão está desligado ou é desligado. Se a luz estiver desligada, a chave de ignição pode ser retirada.

#### Luz ligada (funcionamento com luz):



Motor de combustão a trabalhar: Se a luz estiver ligada, o motor de combustão ainda está a trabalhar.

Motor de combustão desligado: A luz é ligada.

#### Ignição ligada ou motor de combustão a trabalhar:



Se a ignição for ligada, a luz é desligada.

Após o processo de arranque, a chave de ignição salta automaticamente para esta posição e o motor de combustão começa a trabalhar.

### Ligar o motor de combustão:



O motor de combustão arrancará quando todos os pontos relevantes em termos de segurança para o arranque forem cumpridos e a chave de ignição for rodada para esta posição.

Ao soltar a chave de ignição, esta salta novamente para a posição "Motor de combustão a trabalhar".



### Nota

Num motor de combustão desligado, será ativado um sinal sonoro após 20 segundos nas posições "Luz ligada" e "Ignição ligada". O sinal acústico indica que a bateria ficará descarregada. Para desativar o sinal sonoro, rode a chave de ignição para a posição "Motor de combustão desligado" ou ligue o motor de combustão.

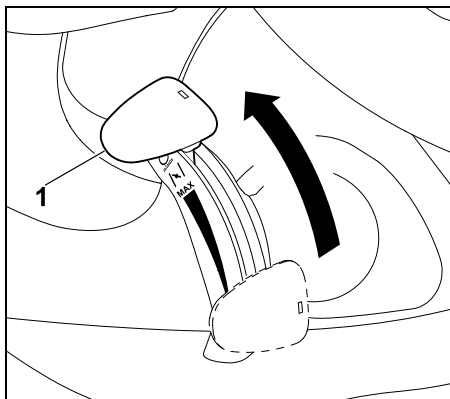
### 8.2 Alavanca do acelerador com função de choke (RT 5097)

Para ligar um motor de combustão frio, coloque a alavanca do acelerador no modelo RT 5097 na posição-choke.



Ligue o motor de combustão quente sem choke (alavanca do acelerador na posição MAX). Assim que o motor de combustão arrancar, desative o choke. Com o motor de combustão a trabalhar, nunca coloque a alavanca do acelerador na posição-choke.

## Posição choke:

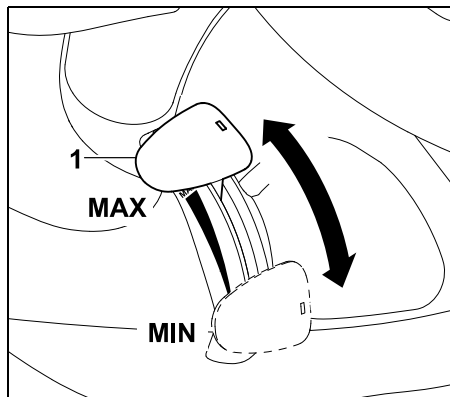


Desloque a alavanca do acelerador (1) totalmente para a frente em direção à posição choke (observar o nível de engate).

### Ajustar a rotação do motor de combustão:



Em trabalhos de corte e no arranque do motor de combustão, coloque a alavanca do acelerador na posição MAX.



Se a alavanca do acelerador (1) for deslocada para baixo ou para cima, a rotação do motor de combustão e, com o mecanismo de corte acoplado, a rotação das lâminas de corte alterar-se-ão em conformidade.

#### Posição MAX:

Se a alavanca do acelerador (1) for deslocada para a frente no sentido da marca MAX, a rotação do motor de combustão aumentará.

#### Posição MIN:

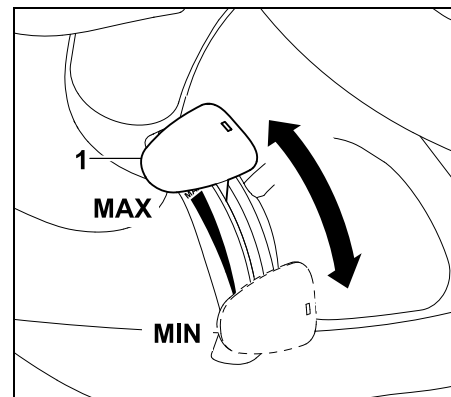
Se a alavanca do acelerador (1) for deslocada para trás no sentido da marca MIN, a rotação do motor de combustão diminuirá.

## 8.3 Alavanca do acelerador (RT 5097 Z, RT 5112 Z, RT 6112 ZL, RT 6127 ZL)

### Ajustar a rotação do motor de combustão:



Em trabalhos de corte e no arranque do motor de combustão, coloque a alavanca do acelerador na posição MAX. No arranque de um motor de combustão frio, deverá ser ainda acionado o botão choke.



Se a alavanca do acelerador (1) for deslocada para baixo ou para cima, a rotação do motor de combustão e, com o mecanismo de corte acoplado, a rotação das lâminas de corte alterar-se-ão em conformidade.

#### Posição MAX:

Se a alavanca do acelerador (1) for deslocada para a frente no sentido da marca MAX, a rotação do motor de combustão aumentará.

### Posição MIN:

Se a alavanca do acelerador (1) for deslocada para trás no sentido da marca MIN, a rotação do motor de combustão diminuirá.

### 8.4 Botão choke (RT 5097 Z, RT 5112 Z, RT 6112 ZL, RT 6127 ZL)

Os modelos RT 5097 Z, RT 5112 Z, RT 6112 ZL, RT 6127 ZL estão equipados com um botão "choke" para o arranque de um motor de combustão frio.

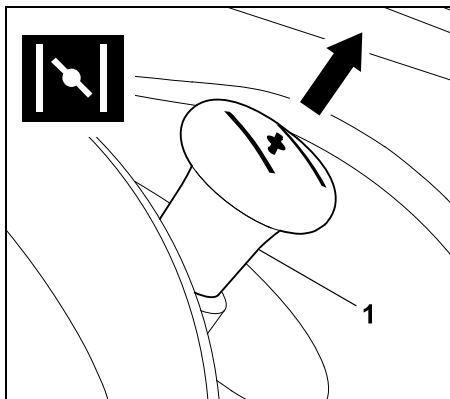


Ligue um motor de combustão quente sem choke.

Assim que o motor de combustão estiver a trabalhar, prima o botão choke de novo para a posição inicial.

Nunca ative o choke num motor de combustão em funcionamento.

#### Ativar o choke:



Antes do processo de arranque, puxe o botão choke (1) para fora até ao encosto.

#### Desativar o choke:

- Prima o botão choke até ao encosto.

### 8.5 Interruptor do mecanismo de corte (RT 5097, RT 5097 Z, RT 5112 Z)

Com o interruptor do mecanismo de corte, é possível acoplar o mecanismo de corte num motor de combustão a trabalhar, respeitando simultaneamente todos os dispositivos de segurança (⇒ 12.).

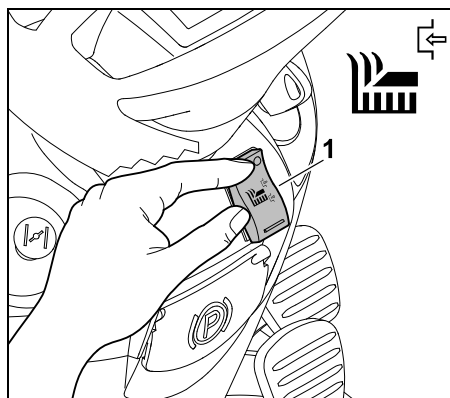


#### Evite danos no aparelho!

Não acople a lâmina de corte com a relva alta ou no nível de corte mais reduzido.

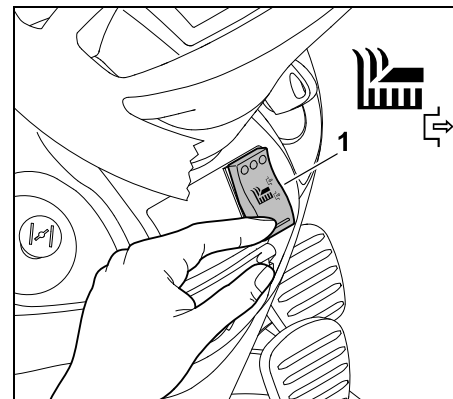
Ative o mecanismo de corte apenas com as rotações máximas (alavanca do acelerador na posição MAX).

#### Acoplar o mecanismo de corte:



Prima o interruptor do mecanismo de corte (1) na parte superior até ao encosto.

### Desacoplar o mecanismo de corte:



Prima o interruptor do mecanismo de corte (1) na parte inferior até ao encosto.



Se necessário, o sistema eletrónico pode ser programado de modo que, com a cesta de recolha de relva cheia, o mecanismo de corte seja automaticamente desacoplado. (⇒ 13.8)

### 8.6 Tecla do mecanismo de corte (RT 6112 ZL, RT 6127 ZL)

Com a tecla do mecanismo de corte, é possível acoplar o mecanismo de corte num motor de combustão a trabalhar e observando todos os dispositivos de segurança (⇒ 12.).

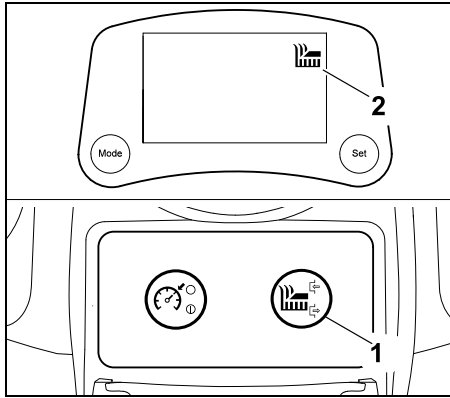


#### Evite danos no aparelho!

Não acople a lâmina de corte com a relva alta ou no nível de corte mais reduzido.

Ative o mecanismo de corte apenas com as rotações máximas (alavanca do acelerador na posição MAX).

## Acoplar o mecanismo de corte:



Prima a tecla do mecanismo de corte (1) durante, pelo menos, 1 segundo. O mecanismo de corte está acoplado logo que surja no visor o símbolo "Mecanismo de corte ativado" (2).

## Desacoplar o mecanismo de corte:

- Prima a tecla do mecanismo de corte. O mecanismo de corte está desacoplado logo que se apague no visor o símbolo "Mecanismo de corte ativado".

**i** Se necessário, o sistema eletrónico pode ser programado de modo que, com a cesta de recolha de relva cheia, o mecanismo de corte seja automaticamente desacoplado. (⇒ 13.8)

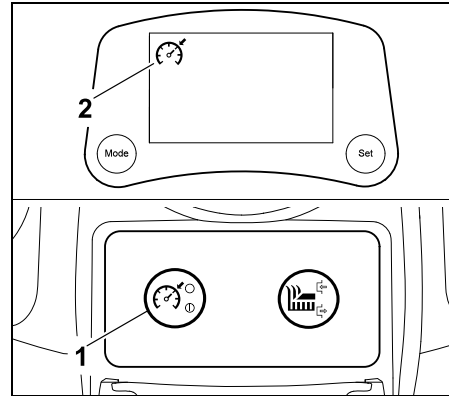
## 8.7 Tecla do controlo de velocidade (RT 6112 ZL, RT 6127 ZL)

A tecla do controlo de velocidade serve para fixar a velocidade de marcha atual durante a marcha.



**i** Em marcha atrás, ao premir a tecla do controlo de velocidade, é apresentado o símbolo "Controlo de velocidade ativado" no visor, no entanto, o controlo de velocidade mantém-se desativado por razões de segurança.

## Ativar o controlo de velocidade:



Selecione a velocidade de marcha desejada e prima a tecla do controlo de velocidade (1) durante, pelo menos, 1 segundo. O controlo de velocidade é ativado logo que surja no visor o símbolo "Controlo de velocidade ativado" (2). O pedal de acionamento está fixado e a velocidade de marcha atual é mantida. É possível retirar o pé do pedal do acionamento.

## Desativar o controlo de velocidade:



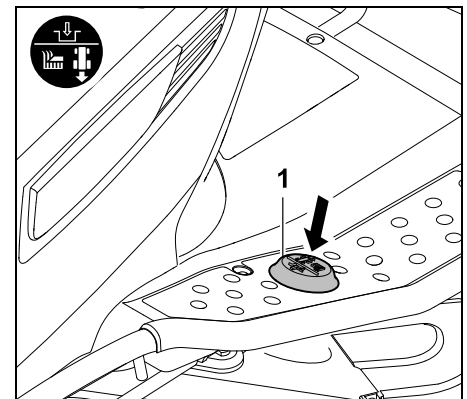
### Perigo de ferimentos!

Antes da desativação do controlo de velocidade, coloque o pé no pedal de acionamento para evitar que o pedal de acionamento salte para trás e, deste modo, uma travagem abrupta do trator corta-relva.

- Prima a tecla do controlo de velocidade, abandone o assento do condutor ou acione o pedal do travão com o pé. O controlo de velocidade é desativado logo que se apague no visor o símbolo "Controlo de velocidade ativado".

## 8.8 Interruptor de segurança do corte em marcha atrás

Com o interruptor de segurança do corte em marcha atrás, o mecanismo de corte é desbloqueado para o corte no sentido de marcha atrás. Se o desbloqueio não for efetuado, o mecanismo de corte é automaticamente desacoplado por razões de segurança.



Para o corte em marcha atrás, pressione uma vez brevemente o interruptor de segurança do corte em marcha atrás com o pé esquerdo (1) durante o intervalo de tempo definido.

### **i** Desbloqueio com o mecanismo de corte desacoplado:

- Pare o trator corta-relva e selecione o sentido de marcha atrás. (⇒ 8.9)

- Pressione uma vez brevemente o interruptor de segurança do corte em marcha atrás com o pé esquerdo.
- Acople o mecanismo de corte e ligue o corte em marcha atrás nos 5 segundos seguintes. (⇒ 8.5), (⇒ 8.6)  
O desbloqueio também pode ocorrer até 1 segundo depois do arranque.

## 2 Desbloqueio com o mecanismo de corte acoplado:

- Pressione uma vez brevemente o interruptor de segurança do corte em marcha atrás com o pé esquerdo durante o funcionamento de corte.
- Comute para o sentido de marcha atrás nos 5 segundos seguintes e continue a cortar. (⇒ 8.8)  
Também pode ocorrer um desbloqueio até 1 segundo após a mudança do sentido de marcha.

**i** Se o interruptor de segurança do corte em marcha atrás for premido de uma forma contínua, deve soltar-se o interruptor durante o intervalo de tempo definido e voltar a pressioná-lo.

Nos modelos RT 6112 ZL e RT 6127 ZL, o símbolo "Corte em marcha atrás" pisca no visor até ao desbloqueio. (⇒ 10.5)

## 8.9 Alavanca da seleção do sentido de marcha

O sentido de marcha é selecionado com a ajuda da alavanca da seleção do sentido de marcha.

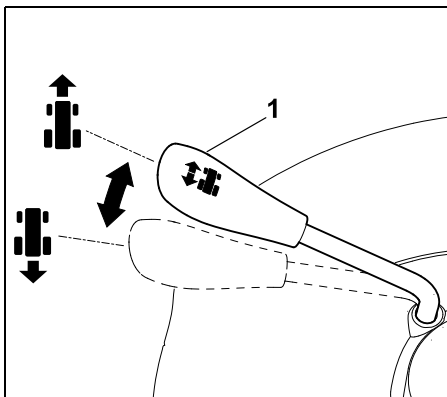


O trator corta-relva desloca-se no sentido escolhido depois de pressionar o pedal de

acionamento – o aparelho não entra em movimento se só acionar a alavanca da seleção do sentido de marcha.

**i** Com o pedal de acionamento pressionado, a alavanca da seleção do sentido de marcha está bloqueada por motivos de segurança. Antes de acionar a alavanca de seleção do sentido de marcha, é necessário aliviar o pedal de acionamento.

### Selecionar o sentido de marcha:



#### Sentido de marcha de avanço:

Coloque a alavanca da seleção do sentido de marcha (1) na posição dianteira.

#### Sentido de marcha atrás:

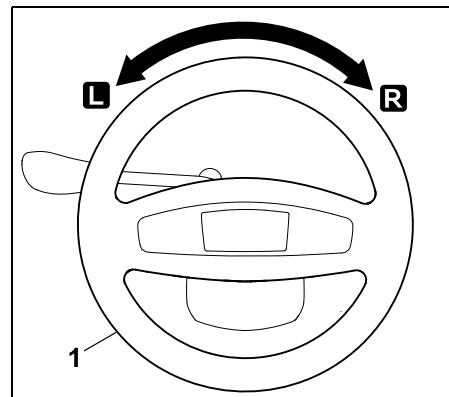
Coloque a alavanca da seleção do sentido de marcha (1) na posição traseira.

## 8.10 Volante



### Aviso!

Durante a marcha, segure sempre bem no volante com as duas mãos.



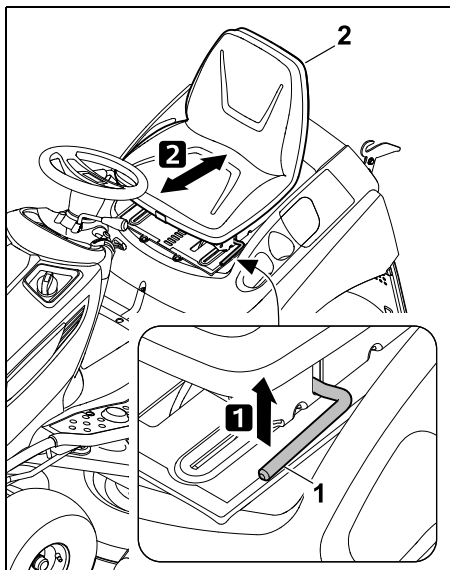
Rodar o volante (1) para a esquerda **L** ou para a direita **R** altera o sentido de marcha do aparelho.  
Quanto mais o volante for rodado (1), mais pequeno será o raio de viragem.

## 8.11 Ajuste do assento do condutor

O assento do condutor pode ser ajustado em sete níveis de retenção.



- Desligue o motor de combustão. (⇒ 13.3)
- Sente-se no assento do condutor e coloque a mão direita no volante.



- 1** Com a mão esquerda, levante a alavanca de ajuste do assento do condutor (1) e mantenha-a levantada.
- 2** Coloque o assento do condutor (2) na posição pretendida. Em seguida, solte a alavanca de ajuste do assento do condutor e permita que a mesma engate.

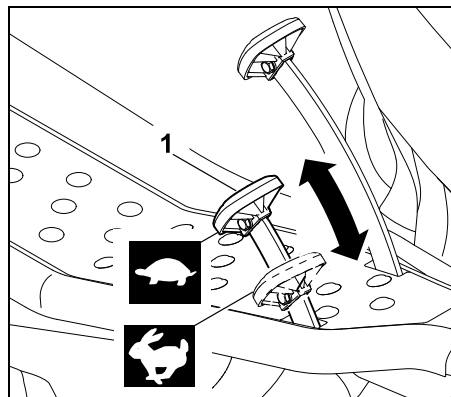
## 8.12 Pedal de acionamento



### Nota

Antes do acionamento do pedal de acionamento, certifique-se de que está selecionado o sentido de marcha correto na alavanca de seleção do sentido de marcha. Se o travão de estacionamento estiver acionado ou o pedal do travão estiver pressionado, não é possível acionar o pedal de acionamento.

Com auxílio do pedal de acionamento, é possível regular progressivamente a velocidade de marcha.



### Parar:

Retire o pé do pedal de acionamento (mecanismo de translação) (1).

### Reduzir a velocidade de marcha:

Diminua a pressão sobre o pedal de acionamento (1).



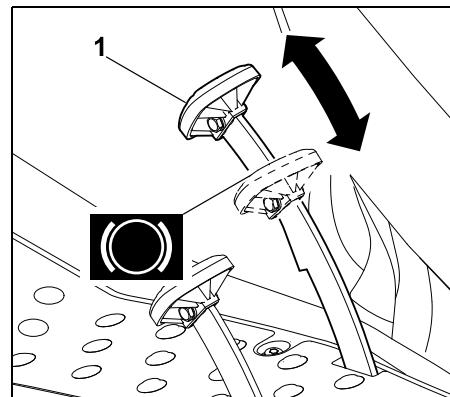
### Aumentar a velocidade de marcha:

Pressione o pedal de acionamento (1) para baixo.



## 8.13 Pedal do travão

Com o auxílio do pedal do travão, é possível travar o aparelho durante a marcha ou bloqueá-lo quando está parado.



Carregue no pedal do travão (1). Quanto mais carregar no pedal do travão (1), mais as rodas traseiras travam.



### Aviso!

Nunca coloque o aparelho em funcionamento com um travão defeituoso.

Solicite a reparação ou afinação de um travão defeituoso a um distribuidor oficial.

A STIHL recomenda os distribuidores oficiais STIHL.

Nunca tente efetuar por si próprio a manutenção do travão.

## 8.14 Travão de estacionamento

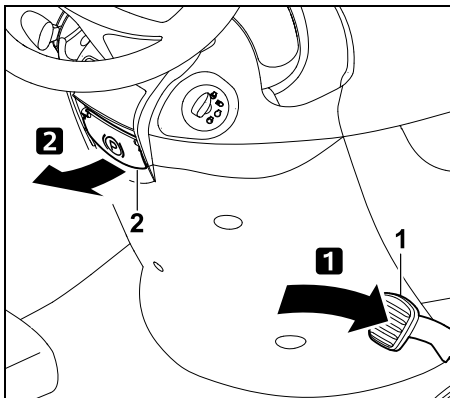
As rodas traseiras do aparelho bloqueiam devido ao travão de estacionamento acionado. Deste modo, evita-se que o trator corta-relva se possa colocar automaticamente em movimento (por exemplo, em encostas, etc.).



### Nota

Antes de acionar o travão de estacionamento, verifique sempre o funcionamento do travão.

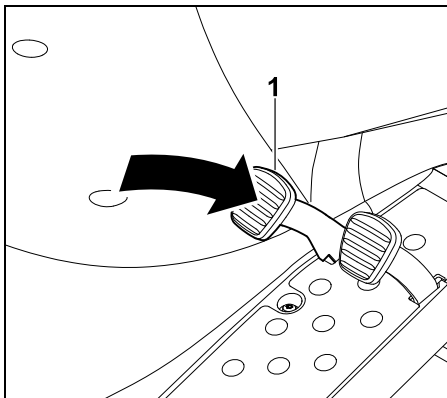
## Acionar o travão de estacionamento:



Carregue no pedal do travão (1) para baixo até ao encosto com o pé e mantenha-o nessa posição. Puxe a alavanca do travão de estacionamento (2) para cima.

- Solte novamente o pedal do travão. O travão de estacionamento estará ativado se o pedal do travão permanecer na posição pressionada. Nos modelos RT 6112 ZL e RT 6127 ZL, o símbolo "Travão de estacionamento acionado" é apresentado no visor quando o travão de estacionamento está ativado. (⇒ 10.5)
- Solte a alavanca do travão de estacionamento. Esta rebate para baixo. As rodas traseiras estão bloqueadas.

## Soltar o travão de estacionamento:



Com o pé, carregue brevemente no pedal do travão (1).

- O pedal do travão volta à posição de partida original (ao estado não pressionado). O travão de estacionamento é desativado e as rodas traseiras deixam de estar bloqueadas.

## 8.15 Alavanca do ajuste da altura de corte

Com o auxílio da alavanca do ajuste da altura de corte, é possível definir 8 níveis de corte.



### Levantar e baixar o mecanismo de corte:

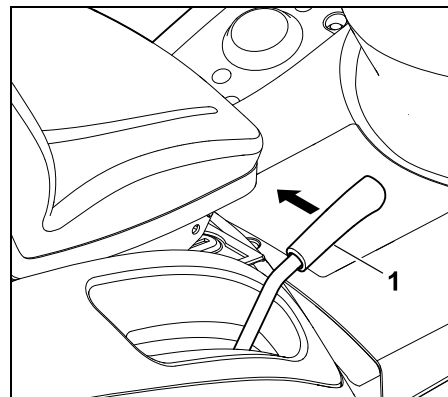


#### Perigo de ferimentos!

Fixe sempre a alavanca do ajuste da altura de corte durante a operação de ajuste. Ajuste a altura de corte apenas quando o trator corta-relva estiver imobilizado.



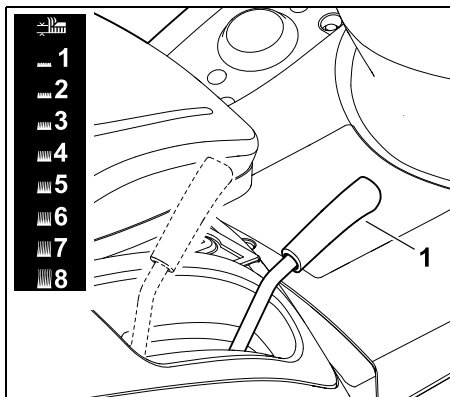
O desbloqueio da alavanca do ajuste da altura de corte varia consoante o mecanismo de corte esteja montado ou desmontado.



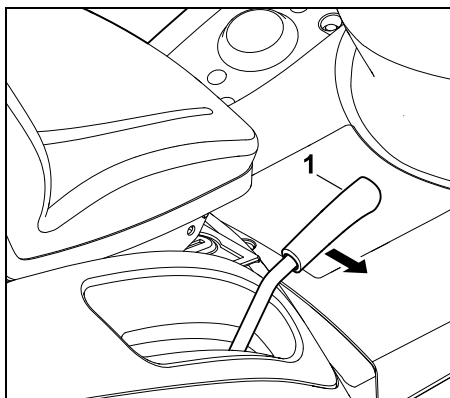
Desbloquear a alavanca do ajuste da altura de corte:

**Com o mecanismo de corte montado,** puxe a alavanca do ajuste da altura de corte (1) para dentro (em direção ao assento do condutor) e mantenha-a nessa posição.

**Com o mecanismo de corte desmontado,** pressione a alavanca do ajuste da altura de corte (1) ligeiramente para baixo e, em seguida, para dentro (em direção ao assento do condutor) e mantenha-a nessa posição.



Direcione a alavanca do ajuste da altura de corte desbloqueada (1) para cima ou para baixo e ajuste a altura de corte pretendida.



Bloquear a alavanca do ajuste da altura de corte:

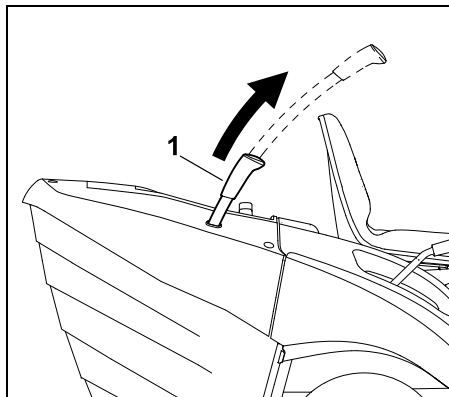
Oriente a alavanca do ajuste da altura de corte (1) para fora até engatar na posição de retenção pretendida.

## 8.16 Alavanca de esvaziamento da cesta de recolha de relva

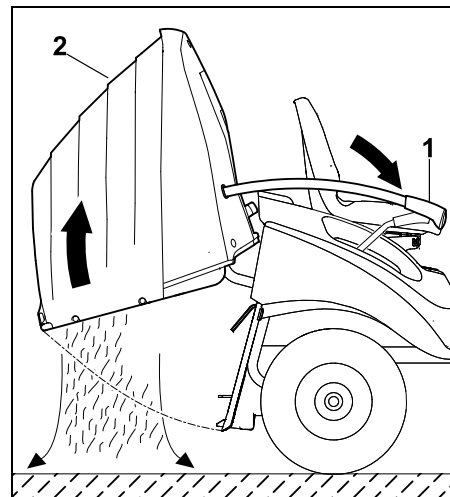
Com auxílio da alavanca do esvaziamento da cesta de recolha de relva, é possível esvaziar a cesta de recolha de relva sem que o utilizador tenha de abandonar o assento do condutor.



- Desacople o mecanismo de corte. (⇒ 8.5), (⇒ 8.6)
- Trave o aparelho até parar.
- Carregue no pedal do travão e mantenha-o nessa posição ou acione o travão de estacionamento.



Puxe a alavanca do esvaziamento da cesta de recolha de relva (1) para cima.



Pressione a alavanca do esvaziamento da cesta de recolha de relva (1) para a frente. A cesta de recolha de relva (2) vira para cima e o material a cortar sai.

Nos modelos RT 6112 ZL e RT 6127 ZL, o símbolo "Cesta de recolha de relva aberta ou em falta" é apresentado no visor no caso de a cesta de recolha de relva estar virada para cima. (⇒ 10.5)

- Desloque lentamente a alavanca do esvaziamento da cesta de recolha de relva para trás e deixe a cesta de recolha de relva engatar novamente na retaguarda.
- Pressione a alavanca do esvaziamento da cesta de recolha de relva para baixo e coloque-a na posição de saída retraída.



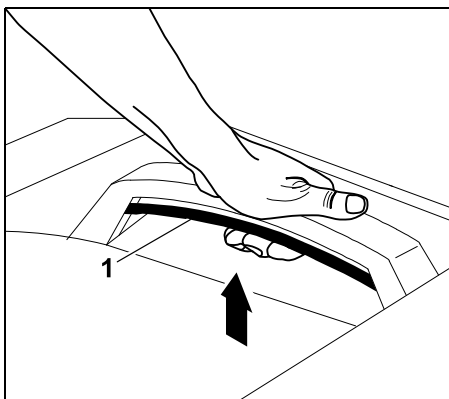
## 8.17 Arco de desbloqueio da cesta de recolha de relva

**Aviso!**  
Ao acionar o arco de desbloqueio da cesta de recolha de relva, tenha cuidado para não entalar nenhum dedo.

O arco de desbloqueio da cesta de recolha de relva encontra-se por baixo da pega da cesta de recolha de relva.

Antes de engatar ou desengatar a cesta de recolha de relva, é necessário puxar o arco de desbloqueio da cesta de recolha de relva para cima e mantê-lo nessa posição.

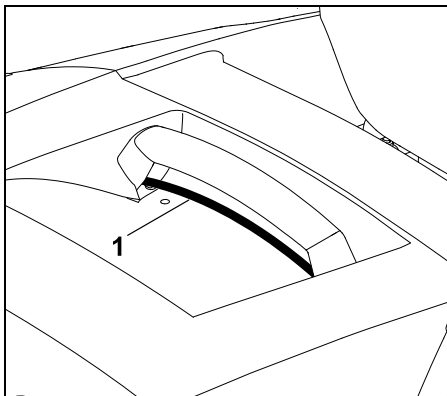
### Desbloquear a cesta de recolha de relva:



Puxe o arco de desbloqueio da cesta de recolha de relva (1) totalmente para cima e mantenha-o nessa posição.

- A cesta de recolha de relva é desbloqueada e pode ser removida.

## Bloquear a cesta de recolha de relva:



Após engatar a cesta de recolha de relva, solte o arco puxado do desbloqueio da cesta de recolha de relva (1). Certifique-se de que o bloqueio engata por completo.

- Após o bloqueio, a cesta de recolha de relva fica novamente fixada no aparelho.

## 8.18 Arco de roda livre da transmissão

É possível desacoplar a transmissão com o arco de roda livre da transmissão (p. ex., para puxar o aparelho) ou acoplá-la (para o mecanismo de translação).

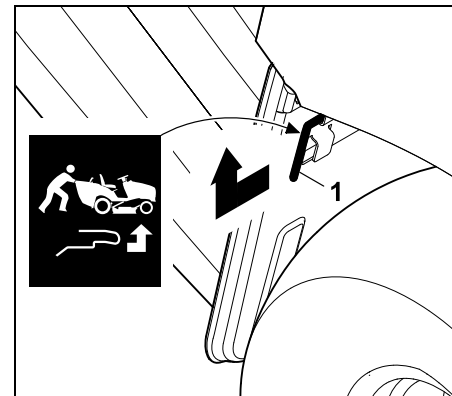


**Aviso!**  
**Possíveis ferimentos de esmagamento!**

O arco de roda livre da transmissão só pode ser extraído em superfícies planas, pois o aparelho pode colocar-se automaticamente em movimento.

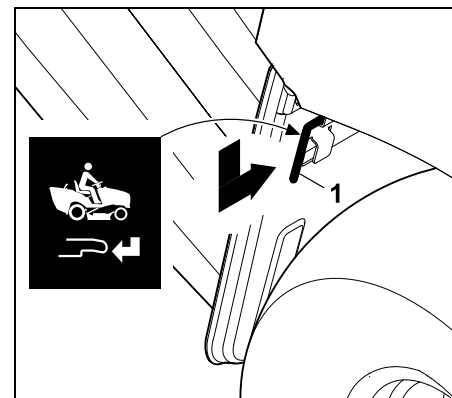
Se o aparelho for desligado com a transmissão desacoplada, será necessário acionar o travão de estacionamento.

## Desacoplar a transmissão:



Pressione o arco de roda livre da transmissão (1) para fora até ao encosto e eleve-o.

## Acoplar a transmissão:



Direcione o arco de roda livre da transmissão (1) para baixo e pressione-o para dentro até ao encosto.

## 8.19 Sensor do nível de enchimento (cesta de recolha de relva)

Se a cesta de recolha de relva estiver cheia, é ativado um sinal sonoro prolongado. Deste modo, é sinalizado que a cesta de recolha de relva deve ser esvaziada.

**i** O sinal sonoro prolongado é desativado pelo desacoplamento do mecanismo de corte.

Devido à alteração do comprimento do sensor do nível de enchimento (cesta de recolha de relva), o momento do sinal da cesta de recolha de relva cheia é influenciado.

Como tal, é possível determinar o enchimento da cesta de recolha de relva relativamente à consistência do material a cortar.

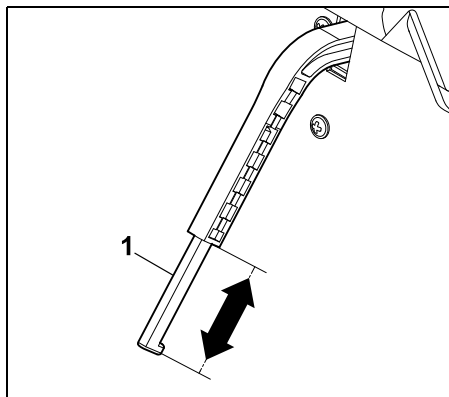
Regra geral, um sensor mais curto provoca uma ativação mais tardia do sinal (a cesta de recolha de relva fica mais cheia, ideal no caso de material a cortar muito seco).

O sensor do nível de enchimento pode ser ajustado em 6 posições de engate.

No estado de entrega, o sensor do nível de enchimento (cesta de recolha de relva) está totalmente puxado para fora.

### Ajustar o sensor do nível de enchimento:

- Desligue o motor de combustão. (⇒ 13.3)
- Acione o travão de estacionamento. (⇒ 8.14)
- Remova a cesta de recolha de relva. (⇒ 13.10)



Prolongue ou encurte a corrediça (1) do sensor do nível de enchimento (cesta de recolha de relva) deslocando-a no sentido da seta.

- Engate a cesta de recolha de relva. (⇒ 13.10)

## 9. Sistema eletrónico

O trator corta-relva está equipado com um sistema eletrónico que, antes de cada processo de arranque e durante o funcionamento, verifica todos os sistemas de segurança e, deste modo, assegura um funcionamento seguro.

**i** O sistema eletrónico dos modelos RT 6112 ZL e RT 6127 ZL controla igualmente o visor. Como tal, nestes modelos, são apresentadas informações adicionais no visor.

## 9.1 Diagnóstico próprio durante o processo de arranque

Antes do arranque do motor de combustão, o sistema eletrónico realiza um diagnóstico próprio ao trator corta-relva. É verificado o funcionamento correto de interruptores, cabos, etc.

### Ativar o diagnóstico próprio:

- Sente-se no assento do condutor.
- Solte o travão de estacionamento. (⇒ 8.14)
- Rode a chave de ignição para a posição "Ignição ligada" (⇒ 8.1) – não pressione nenhuma tecla, nenhum interruptor nem nenhum pedal.

### Diagnóstico próprio sem avarias:

É ativado um sinal sonoro mais curto – o sistema eletrónico está ativado e o trator corta-relva está operacional.

RT 6112 ZL, RT 6127 ZL:  
São apresentados todos os símbolos no visor durante 2 segundos. As horas de funcionamento podem ser consultadas durante 5 segundos.

- Ligue o motor de combustão. (⇒ 13.2)

### Diagnóstico próprio com erros:

São ativados um sinal sonoro prolongado ou três sinais sonoros consecutivos.

Um **sinal sonoro prolongado** assinala uma avaria no sistema eletrónico ou uma bateria ligada com a polaridade invertida.

- Rode a chave de ignição para a posição "Motor de combustão desligado". (⇒ 8.1)
- Controle a polaridade das ligações da bateria e eventualmente ligue o cabo de forma correta. (⇒ 15.19)

- Repita o diagnóstico próprio. Se o sinal sonoro prolongado persistir depois de ter ativado a ligação correta da bateria, existe uma avaria no sistema eletrónico. Dirija-se ao seu distribuidor oficial, a STIHL recomenda os distribuidores oficiais STIHL.

### Três sinais sonoros consecutivos

assinalam uma avaria no sistema eletrónico (curto-circuito) ou no interruptor de contacto do assento. Não é possível ligar o motor de combustão.

RT 6112 ZL, RT 6127 ZL:

No visor, são apresentados os símbolos correspondentes e a mensagem ERRO a piscar.

- Rode a chave de ignição para a posição "Motor de combustão desligado". (⇒ 8.1)
- Solicite um diagnóstico detalhado a um distribuidor oficial. A STIHL recomenda os distribuidores oficiais STIHL.

### 9.2 Avaria no trator corta-relva durante o funcionamento

O sistema eletrónico monitoriza o estado seguro durante o funcionamento. Se encontrar uma avaria no sistema eletrónico (curto-circuito, ficha solta, rutura de um cabo) são ativados três sinais sonoros consecutivos.

O motor de combustão é desligado – nos modelos RT 6112 ZL e RT 6127 ZL piscam o respetivo símbolo e a mensagem "ERROR" no visor.

#### Comportamento:

- Rode a chave de ignição para a posição "Motor de combustão desligado". (⇒ 8.1)

- Ative o diagnóstico próprio. (⇒ 9.1)



Se não for possível eliminar a avaria, é necessário um diagnóstico detalhado. Dirija-se ao seu distribuidor oficial, a STIHL recomenda os distribuidores oficiais STIHL.

### 9.3 Avaria no sistema eletrónico

Em casos raros, pode surgir uma avaria do sistema eletrónico durante o funcionamento. É ativado um sinal sonoro prolongado e o motor de combustão é desligado.

#### Comportamento:

- Rode a chave de ignição para a posição "Motor de combustão desligado". (⇒ 8.1)
- Ative o diagnóstico próprio. (⇒ 9.1)
- Ligue novamente o motor de combustão. (⇒ 13.2)



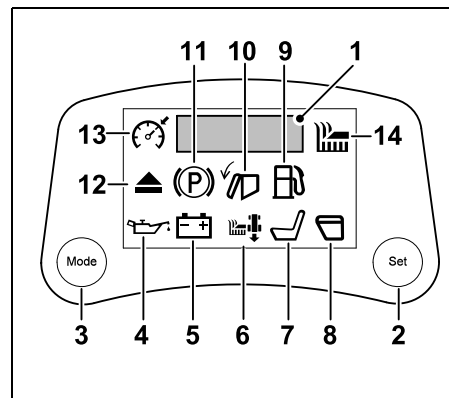
Se não for possível eliminar a avaria, é necessário um diagnóstico detalhado. Dirija-se ao seu distribuidor oficial, a STIHL recomenda os distribuidores oficiais STIHL.

## 10. Visor RT 6112 ZL, RT 6127 ZL

No visor são indicadas avarias, informações de funcionamento e funções ativas.



O visor foi construído com proteção contra danos (por exemplo, provocados por água). Está adaptado para variações extremas de temperatura e níveis elevados de humidade. A humidade infiltrada evapora após o início de funcionamento do trator corta-relva por ação do aquecimento do motor de combustão, no espaço de poucos minutos.



- 1 Indicação de segmentos com 5 algarismos (⇒ 10.1)
- 2 Tecla Set (⇒ 10.2)
- 3 Tecla Mode (⇒ 10.3)

#### Avarias (⇒ 10.4)

- 4 Pressão do óleo do motor demasiado baixa (RT 6127 ZL)
- 5 Avaria da bateria

#### Informações de funcionamento (⇒ 10.5)

- 6 Corte em marcha atrás
- 7 Assento do condutor não ocupado
- 8 Cesta de recolha de relva aberta ou em falta

## Informações de funcionamento (⇒ 10.5)

- 9 Reserva de combustível
- 10 Cesta de recolha de relva cheia
- 11 Travão de estacionamento acionado
- 12 Canal de expulsão desmontado

## Funções ativas (⇒ 10.6)

- 13 Controlo de velocidade ativado
- 14 Mecanismo de corte ativado

## 10.1 Indicação de segmentos com 5 algarismos

A indicação de segmentos com 5 algarismos dá informações sobre as horas de funcionamento e a tensão da bateria. Sinaliza ainda avarias com a mensagem ERRO.

Durante o funcionamento, é possível consultar as horas de funcionamento ou a tensão da bateria premindo a tecla Modo. (⇒ 10.3)

### Horas de funcionamento:

A apresentação das horas de funcionamento do motor de combustão é feita em horas completas (p. ex. 281 h). Não é possível repor o contador de horas de funcionamento.

Com base no contador é constatado o momento correto para trabalhos de manutenção e de serviço indicados no plano de manutenção. (⇒ 15.1)

### Tensão da bateria:

A apresentação da tensão atual da bateria é feita em Volts (p. ex. 12,0 V).

## 10.2 Tecla Set

Se premir a tecla Set durante a indicação de horas de funcionamento ou da tensão da bateria, comuta para a indicação permanente.



Ao rodar a chave de ignição para a posição "Motor de combustão desligado", é reposto o ajuste prévio (a indicação das horas de funcionamento ou da tensão da bateria é apresentada durante 5 segundos).

## 10.3 Tecla Modo

Ao premir a tecla Modo, pode alternar-se entre as apresentações individuais:



- 1 Horas de funcionamento [h]
- 2 Tensão da bateria [V]
- 3 nenhuma indicação

As horas de funcionamento e a tensão da bateria são apresentadas durante 5 segundos. Para uma indicação mais prolongada, prima a tecla Set. (⇒ 10.2)

## 10.4 Indicação de avarias

### Símbolo Pressão do óleo do motor demasiado baixa:



A pressão do óleo é demasiado baixa para um funcionamento correto do motor de combustão.

O motor de combustão é desligado no espaço de 3 segundos.



### Evite danos no aparelho!

A advertência da pressão do óleo não é uma indicação do nível do óleo. Por essa razão, o nível do óleo deve ser controlado regularmente.

- Não faça outras tentativas de arranque.
- Controle visualmente a existência de fugas de óleo no motor de combustão.
- Verifique o nível de óleo e, se necessário, reabasteça com óleo do motor.

### Símbolo Avaria da bateria:



Existe uma tensão da bateria demasiado reduzida. A bateria está defeituosa ou não carrega. No visor, é também apresentada a tensão atual em Volts (p. ex. 10,5 V).

O motor de combustão é desligado ou não é possível ligá-lo.

- Não faça outras tentativas de arranque.
- Verifique a tensão da bateria no visor.
- Verifique o fusível e, eventualmente, substitua-o. (⇒ 15.20)
- Controle visualmente a existência de líquidos a escorrer na bateria.
- Controle as ligações da bateria quanto a corrosão e posição fixa.
- Carregue a bateria. (⇒ 15.21)
- Substitua a bateria avariada. (⇒ 15.19)

## 10.5 Indicação de informações de funcionamento



Se os símbolos não forem apresentados ou apagados tal como previsto e descrito, uma avaria no interruptor, nos conetores ou nos cabos é a possível causa. Dirija-se ao seu revendedor especializado. A STIHL recomenda os distribuidores oficiais STIHL.

### Símbolo **Corte em marcha-atrás:**



O símbolo é apresentado de uma forma prolongada quando o corte em marcha-atrás é desbloqueado. O símbolo pisca quando o interruptor de segurança do corte em marcha-atrás é premido ou quando é necessário um desbloqueio do corte em marcha-atrás. (⇒ 8.8)

### A indicação **apaga-se:**

- quando o corte em marcha-atrás é terminado.

### Mudança da indicação a piscar para uma indicação prolongada:

- quando o corte em marcha-atrás é desbloqueado.
- quando o mecanismo de corte é desacoplado manualmente durante o intervalo de tempo definido.
- quando o mecanismo de corte é automaticamente desacoplado no caso de um desbloqueio incorreto para o corte em marcha-atrás.

### Símbolo **Assento do condutor não ocupado:**



O assento do condutor não está ocupado. O interruptor de contacto do assento serve de dispositivo de segurança (⇒ 12.) do trator corta-relva.

Se o símbolo "Assento do condutor não ocupado" aparecer no visor, o motor de combustão não pode ser ligado sem o travão de estacionamento acionado e o mecanismo de corte não pode ser acoplado.

### A indicação **apaga-se:**

- quando o utilizador se senta no assento do condutor.

### Símbolo **Cesta de recolha de relva aberta ou em falta:**



A cesta de recolha de relva está aberta ou a cesta de recolha de relva ou o defletor (acessório) não estão montados ou engatados corretamente. Ao esvaziar a cesta de recolha de relva também é indicado o símbolo. (⇒ 13.9)  
Se a cesta de recolha de relva no mecanismo de corte acoplado se virar para cima (por exemplo, ao esvaziar), o motor de combustão desliga-se por razões de segurança.

### A indicação **apaga-se**

- quando a cesta de recolha de relva está fechada. (⇒ 13.9)
- quando a cesta de recolha de relva ou o defletor (acessório) está montado corretamente. (⇒ 13.10)

### Símbolo **Reserva de combustível:**



O combustível foi gasto até à reserva, pelo que só existem cerca de 2 litros de combustível no depósito. (⇒ 13.1)

### A indicação **apaga-se**

- quando reabastecer com combustível.

### Símbolo **Cesta de recolha de relva cheia:**



A cesta de recolha de relva está cheia, é ativado um sinal sonoro prolongado. (⇒ 8.19)

O sinal sonoro prolongado é desativado depois do desacoplamento do mecanismo de corte. (⇒ 13.8)

### A indicação **apaga-se:**

- quando a cesta de recolha de relva é esvaziada.

### Símbolo **Travão de estacionamento acionado:**



O travão de estacionamento foi acionado. (⇒ 8.14)

### A indicação **apaga-se**

- quando o travão de estacionamento é solto.

### Símbolo **Canal de expulsão desmontado:**



O canal de expulsão foi desmontado. (⇒ 15.5)

O motor de combustão não pode ser ligado por razões de segurança.

### A indicação **apaga-se:**

- quando o canal de expulsão está corretamente montado. (⇒ 15.6)

## 10.6 Indicação das funções ativas



Se os símbolos não forem apresentados ou apagados tal como previsto e descrito, uma avaria no interruptor, nos conetores ou nos cabos é a possível causa. Dirija-se ao seu revendedor especializado. A STIHL recomenda os distribuidores oficiais STIHL.

Símbolo **Controlo de velocidade ativado:**



O controlo de velocidade é ativado. (⇒ 8.7)

**A indicação apaga-se** quando o controlo de velocidade é desligado.

Símbolo **Mecanismo de corte ativado:**



O mecanismo de corte é desacoplado. (⇒ 8.6)

**A indicação apaga-se** quando o mecanismo de corte é desacoplado.

## 11. Instruções para trabalhar



### **Aviso!**

#### **Perigo de ferimentos!**

Antes de cada colocação em funcionamento, observe todas as informações para o funcionamento seguro do aparelho.

Os trabalhos em encostas requerem uma atenção especial e cuidado.



### **Nota**

Antes do início dos trabalhos, verifique a correta posição de montagem do mecanismo de corte. Para a primeira utilização do seu aparelho, escolha uma área plana e corte em forma de tiras retas e ligeiramente sobrepostas para treinar. A relva deve ser sempre cortada quando está seca.

### **Obtém-se um relvado bonito e denso**

- cortando a relva com elevadas rotações (alavanca do acelerador na posição MAX) e uma velocidade de marcha lenta.
- cortando frequentemente a relva e mantendo o relvado pequeno.
- se, com o tempo quente e seco, não se cortar a relva demasiado curta, pois ficará queimada pelo sol, ganhando, assim, um aspecto feio.
- com lâminas de corte afiadas. Por isso, a lâmina de corte deve ser afiada e substituída regularmente.
- alternando o sentido do corte.

### **Cortar relva alta**

Se a relva estiver muito alta, é melhor cortá-la em duas passagens:

- o primeiro processo de corte com o nível de corte mais alto, máxima rotação do motor e velocidade de marcha lenta;
- no segundo processo de corte, selecione o nível de corte pretendido e defina a máxima rotação do motor. Adapte a velocidade de marcha às propriedades do relvado.



### **Aviso – Perigo de incêndio!**

Evite a sobrecarga do acionamento do mecanismo de corte, pois tal poderá originar o deslize permanente da correia trapezoidal e, por sua vez, provocar um perigo de incêndio derivado do sobreaquecimento.

Ruídos de marcha invulgares, como, por exemplo, o "chiar" (ruído de arrastamento) da correia trapezoidal, apontam para um esforço excessivo. Como tal, no caso da relva alta, nunca corte a relva com o canal de expulsão obstruído ou com a cesta de recolha da relva cheia; se necessário, utilize o kit de mulching (acessório especial).

É fundamental limpar regularmente o mecanismo de corte na área da correia trapezoidal e mantê-lo sempre livre de materiais inflamáveis (relva, folhas, etc.), de modo a evitar o perigo de incêndio.

### **Evitar obstruções no canal de expulsão**

Se o canal de expulsão ficar obstruído com relva, reduza a velocidade de marcha. Esta pode ser demasiado elevada tendo em consideração o estado da relva. Puxe totalmente a correição do sensor do nível de enchimento para fora. (⇒ 8.19)

Se o problema persistir, a causa provável serão as pás da ventoinha danificadas ou gastas nas lâminas de corte. Substitua as lâminas de corte. (⇒ 15.13)

Limpe o mecanismo de corte, o canal de expulsão e a lâmina de corte após cada utilização, para que não fiquem encrostados quaisquer restos de relva. (⇒ 15.2)

## Adubar

Cortar a relva retira permanentemente ao solo nutrientes que podem ser aduzidos de novo através de um adubo duradouro da relva de elevada qualidade. Regra geral, são necessários três adubamentos por cada época de corte. A relva deve estar seca para que o adubo não fique colado ao pé, queimando-a. O melhor será regar a relva para lavar o adubo que adere ao pé. (Observe as indicações de tratamento do fabricante.)

As aparas de relva permitem um adubamento natural. Este é possível graças à utilização do kit de mulching. O kit de mulching está disponível como acessório especial e não é incluído no fornecimento. (O seu distribuidor oficial STIHL poderá fornecer-lhe mais informações.)

## Trabalhar de modo a proteger o solo

Os fatores mais importantes para trabalhar protegendo o solo são a técnica de trabalho e a humidade do solo.

Para se alcançar um resultado de corte limpo, a velocidade de marcha deve ser adaptada ao estado da relva a cortar (altura e densidade) e à humidade da relva.

Percorrer curvas demasiado apertadas aumenta a solicitação da relva e provoca, especialmente com a relva molhada, maus resultados de corte, pois as rodas afundam-se na relva macia.

## 12. Dispositivos de segurança

Para proporcionar um funcionamento seguro e uma proteção contra utilização inadequada, o aparelho está equipado com vários dispositivos de segurança.



### Perigo de ferimentos!

Se for detetada uma avaria num dos dispositivos de segurança, não será possível colocar o aparelho em funcionamento. Dirija-se a um distribuidor oficial, a STIHL recomenda os distribuidores oficiais STIHL.

### Para ligar o motor de combustão, é sempre necessário:

- o canal de expulsão estar corretamente montado.
- carregar no pedal do travão ou acionar o travão de estacionamento.

### O motor de combustão é desligado se o utilizador:

- sair do assento do condutor com o mecanismo de corte acoplado,
- inclinar ou elevar a cesta de recolha de relva ou retirar o defletor (acessórios especiais) com o mecanismo de corte acoplado,
- desmontar o canal de expulsão com o mecanismo de corte desacoplado,
- abandonar o assento do condutor e o travão de estacionamento não estiver acionado.

### Travão de inércia do motor de lâmina integrado:

RT 5097, RT 5097 Z, RT 5112 Z, RT 6112 ZL:

Depois de desacoplar, as lâminas de corte demoram, no máximo, **5 segundos** a parar.

RT 6127 ZL:

Depois de desacoplar, as lâminas de corte demoram, no máximo, **7 segundos** a parar.



Depois do acoplamento do mecanismo de corte, as lâminas de corte emitem um ruído audível ao rodar.

A desaceleração corresponde à duração do ruído após o desacoplamento, podendo ser medido por um cronómetro.

Para verificar o travão de inércia do motor de lâmina integrado, meça a duração do ruído após o desacoplamento com um cronómetro.

RT 5097, RT 5097 Z, RT 5112 Z, RT 6112 ZL:

Se forem excedidos 5 segundos: dirija-se a um distribuidor oficial STIHL.

RT 6127 ZL:

Se forem excedidos 7 segundos: dirija-se a um distribuidor oficial STIHL.

## 13. Colocar o aparelho em funcionamento



### Perigo de ferimentos!

Antes da colocação em funcionamento, leia e observe cuidadosamente todo o capítulo "Para sua segurança". (⇒ 4.)

Por motivos de segurança, o aparelho não poderá ser aplicado em encostas com uma inclinação superior a 10° (17,6 %). Uma inclinação de terreno de 17,6 % corresponde a uma subida vertical de 17,6 cm num comprimento horizontal de 100 cm.

- Antes da colocação em funcionamento, familiarize-se com os elementos de comando do aparelho. (⇒ 8.)

- Antes da colocação em funcionamento, observe o plano de manutenção e execute todos os trabalhos de manutenção. (⇒ 15.1)
- Antes da colocação em funcionamento, verifique os dispositivos de segurança. (⇒ 12.)  
O trator corta-relva não deve ser colocado em funcionamento se existirem dispositivos de segurança avariados, danificados, ligados em ponte ou modificados.

### 13.1 Encher com combustível

**Volume máximo do depósito:**  
9 litros



#### Recomendação:

Combustíveis novos de marca, consulte as indicações sobre a qualidade do combustível (índice de octanas) no manual de utilização do motor de combustão.

– Gasolina sem chumbo.

#### Processo de enchimento:

- Desligue o motor de combustão e deixe-o arrefecer (morno). (⇒ 13.3)
- Acione o travão de estacionamento. (⇒ 8.14)

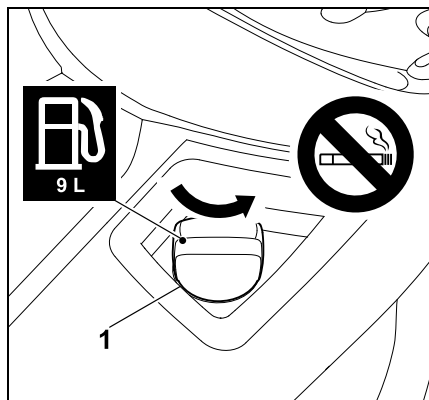


No sentido de evitar um derrame de combustível, deverá ser utilizado um funil adequado (não incluído no fornecimento) para encher.

Encha com combustível de forma cuidadosa e lenta. No sentido de evitar que o combustível transborde, o processo de enchimento deverá ser dividido em diversas fases de abastecimento. Retire o funil entre as fases de

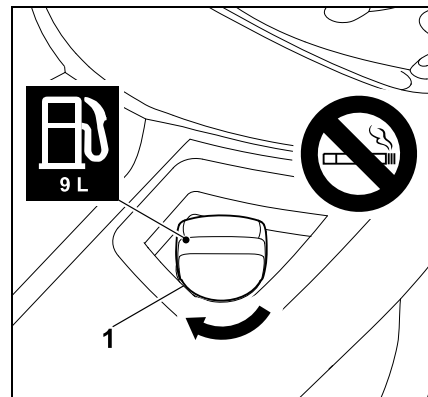
abastecimento e verifique visualmente o nível de enchimento do depósito. Quanto mais combustível já tiver sido introduzido, mais pequenas deverão ser as quantidades de enchimento por fase de abastecimento. No sentido de permitir que o combustível tenha espaço para se expandir, nunca adicione combustível acima do rebordo inferior do bocal de enchimento.

#### Bujão de fecho do depósito:



Desenrosque o bujão de fecho do depósito (1) (observe o sentido da seta) e remova-o.

- Encha com combustível com o auxílio de um funil adequado (não contido no fornecimento) (ver Processo de enchimento).



Coloque o bujão de fecho do depósito (1) e enrosque-o (observe o sentido da seta). Em seguida, aperte manualmente o bujão de fecho do depósito (1).

- Seque com um pano qualquer combustível derramado e deixe-o evaporar durante algum tempo antes de ligar o motor de combustão.

### 13.2 Ligar o motor de combustão



#### Evite danos no aparelho!

Se o motor de combustão não arrancar de imediato, faça pausas antes das tentativas de arranque. Nunca coloque a chave de ignição na posição "Ligar o motor de combustão" durante mais de 10 segundos.



O motor de combustão só arranca se o canal de expulsão estiver montado corretamente. (⇒ 15.6)

#### Antes do arranque:

- Verifique o nível de óleo do motor. (⇒ 15.8)
- Retire os restos de relva do mecanismo de corte e do compartimento do motor.



- Verifique o combustível e, se necessário, reabasteça. (⇒ 13.1)
- Antes de cada colocação em funcionamento, verifique o funcionamento do travão. (⇒ 13.5)
- Efetue todos os ajustes pessoais (ajuste do assento do condutor) no aparelho – não o faça com o motor de combustão a trabalhar!
- Não ligue o aparelho se estiverem pessoas nas proximidades, especialmente crianças ou animais.

#### Sequência de arranque:

- Abra a torneira do combustível. (⇒ 15.7)
- Sente-se no assento do condutor.
- Antes do processo de arranque, carregue no pedal do travão até ao encosto e mantenha-o nessa posição ou acione o travão de estacionamento. (⇒ 8.13), (⇒ 8.14)
- Insira a chave de ignição no fecho da ignição e rode-a para a posição "Ignição ligada". (⇒ 8.1)
- **Motor de combustão frio:**  
RT 5097:  
Coloque a alavanca do acelerador na posição de-choke. (⇒ 8.2)  
RT 5097 Z, RT 5112 Z, RT 6112 ZL, RT 6127 ZL:  
Coloque a alavanca do acelerador na posição-MAX e puxe o botão-choke. (⇒ 8.3), (⇒ 8.4)
- **Motor de combustão quente:**  
Coloque a alavanca do acelerador na posição-MAX. (⇒ 8.2), (⇒ 8.3)

- Rode a chave de ignição para a posição "Ligar o motor de combustão". O motor de combustão arranca. Assim que o motor de combustão arrancar, solte a chave de ignição. Esta regressa automaticamente à posição "Motor de combustão a trabalhar".
- RT 5097:  
Com o motor de combustão a trabalhar, coloque novamente a alavanca do acelerador na posição-MAX. Observe o nível de engate! (⇒ 8.2)  
RT 5097 Z, RT 5112 Z, RT 6112 ZL, RT 6127 ZL:  
Prima o botão choke. (⇒ 8.4)
- Com o motor de combustão a trabalhar, é possível retirar o pé do pedal do travão ou soltar o travão de estacionamento.

#### 13.3 Desligar o motor de combustão

- Trave o aparelho até parar.
- Desacople o mecanismo de corte. (⇒ 8.5), (⇒ 8.6)
- Coloque a alavanca do acelerador na posição MIN. (⇒ 8.2), (⇒ 8.3)
- Rode a chave de ignição para a posição "Motor de combustão desligado". O motor de combustão é desligado.
- Acione o travão de estacionamento. (⇒ 8.14)
- Se necessário, feche a torneira do combustível. (⇒ 15.7)
- Retire a chave de ignição e guarde-a em lugar seguro.

#### 13.4 Conduzir



##### Aviso!

Em todo-o-terreno, deve selecionar-se sempre uma velocidade de marcha mais reduzida.

Antes de cada mudança do sentido de marcha, especialmente em encostas, reduza a velocidade de marcha em conformidade.



##### Evite danos no aparelho!

Conduza sempre com a rotação máxima do motor de combustão para garantir uma refrigeração ótima da transmissão. Regule a velocidade de marcha apenas com o pedal de acionamento e não com a alavanca do acelerador.

#### Antes de conduzir:

- Acople o arco do funcionamento livre da transmissão. (⇒ 8.18)
- RT 5112 Z, RT 6112 ZL, RT 6127 ZL:  
Com o mecanismo de corte desmontado, pressione a alavanca do dispositivo de tensão da correia trapezoidal para a frente e fixe-a. (⇒ 14.1)
- Ligue o motor de combustão. (⇒ 13.2)

#### Marcha de avanço:

- Selecione o sentido de marcha de avanço. (⇒ 8.9)
- Solte o travão de estacionamento, se estiver acionado. (⇒ 8.14)
- Pressione o pedal de acionamento – o aparelho começa a andar para a frente. (⇒ 8.12)

### Marcha atrás:

- Selecione o sentido de marcha atrás: (⇒ 8.9)
- Solte o travão de estacionamento, se estiver acionado. (⇒ 8.14)
- Carregue no pedal de acionamento – o aparelho começa a andar para trás. (⇒ 8.12)

### Marcha de avanço com controlo de velocidade (RT 6112 ZL, RT 6127 ZL):

- Com o mecanismo de corte desmontado, pressione a alavanca do dispositivo de tensão da correia trapezoidal para a frente e fixe-a. (⇒ 14.1)
- Ligue o motor de combustão. (⇒ 13.2)
- Coloque a alavanca do acelerador na posição MAX. (⇒ 8.3)
- Coloque a alavanca da seleção do sentido de marcha na posição dianteira (sentido de marcha de avanço). (⇒ 8.9)
- Solte o travão de estacionamento, se estiver acionado. (⇒ 8.14)
- Ao carregar no pedal de acionamento, é regulada a velocidade de marcha e o aparelho desloca-se em marcha de avanço.
- **Ativar o controlo de velocidade:** Mantenha a velocidade de marcha desejada e prima a tecla do controlo de velocidade durante 1 segundo. (⇒ 8.7) O controlo de velocidade está ativado se for apresentado o símbolo "Controlo de velocidade ativado" no visor e o pedal de acionamento estiver fixado. Com o controlo de velocidade ativado, pode aumentar-se a velocidade de marcha ajustada carregando no pedal de acionamento.

- É possível retirar o pé do pedal do acionamento.
- **Desativar o controlo de velocidade:** Não carregue no pedal do travão nem prima a tecla do controlo de velocidade. (⇒ 8.7)  
O controlo de velocidade estará desativado se o símbolo "Controlo de velocidade ativado" se apagar no visor.

---

### 13.5 Travar

- Reduza a velocidade de marcha aliviando o pedal de acionamento – evite a travagem abrupta com a velocidade de marcha máxima. (⇒ 8.12)
- Carregue uniformemente no pedal do travão para baixo até o aparelho parar. (⇒ 8.13)

---

### 13.6 Ajustar a altura de corte



#### Perigo de ferimentos!

Ajuste a altura de corte apenas quando o trator corta-relva estiver imobilizado.

- Trave o aparelho até parar.
- Desbloqueie a alavanca do ajuste da altura de corte e ajuste a altura de corte pretendida. (⇒ 8.15)

**Nível 1** altura de corte mais reduzida

**Nível 8** altura de corte mais elevada



### RT 5112 Z, RT 6112 ZL, RT 6127 ZL:

A STIHL recomenda a montagem de ambas as rodas de contacto na posição mais baixa. As rodas de contacto numa posição mais baixa aumentam a distância do mecanismo de corte em relação ao solo e permitem uma adição de ar ideal. O resultado é uma bela imagem de corte e uma melhor capacidade de recolha.

---

### 13.7 Cortar a relva



Se o mecanismo de corte for acoplado durante a marcha, a rotação do motor de combustão diminui por breves momentos devido à carga adicional (arranque da lâmina de corte).

#### Antes do corte:

- Leia e observe o capítulo "Instruções para trabalhar". (⇒ 11.)
- Durante o processo de corte, ajuste sempre as rotações máximas do motor. A lâmina de corte está otimizada para esta rotação – o resultado é a melhor imagem de corte, bem como o maior efeito de remoinho para reunir o material a cortar.

#### Acoplar o mecanismo de corte pela seguinte ordem:

- Ligue o motor de combustão. (⇒ 13.2)
- Coloque a alavanca do acelerador na posição MAX. (⇒ 8.2), (⇒ 8.3)

- Desloque o trator corta-relva para o relvado a cortar.  
Não acople o mecanismo de corte com a relva alta ou no nível de corte mais reduzido. Acople o mecanismo de corte apenas se o aparelho já se encontrar sobre a superfície a trabalhar.
- **Corte em marcha de avanço:**  
Selecione o sentido de marcha de avanço (⇒ 8.9) e, em seguida, acople o mecanismo de corte pressionando o interruptor do mecanismo de corte ou a tecla do mecanismo de corte. (⇒ 8.5), (⇒ 8.6)
- **Corte em marcha atrás:**  
Selecione o sentido de marcha atrás (⇒ 8.9), pressione uma vez brevemente o interruptor de segurança do corte em marcha atrás (⇒ 8.8) e, em seguida, acople o mecanismo de corte pressionando o interruptor do mecanismo de corte ou a tecla do mecanismo de corte nos 6 segundos seguintes. (⇒ 8.5), (⇒ 8.6)

#### **Durante o processo de corte:**

- Coloque a alavanca do acelerador na posição MAX. (⇒ 8.2), (⇒ 8.3)
- Adapte sempre a velocidade de marcha à altura da relva ou ao nível de corte. Em caso de relva alta ou de um nível de corte reduzido, selecione uma velocidade de marcha reduzida.



Um sinal sonoro contínuo sinaliza que a cesta de recolha de relva está cheia. (⇒ 13.9)

#### **Mudar o sentido de marcha com o mecanismo de corte acoplado:**

- Para **cortar em marcha atrás**, pressione uma vez brevemente o interruptor de segurança do corte em marcha atrás no intervalo de tempo previsto (5 segundos antes ou 1 segundo depois da comutação). (⇒ 8.8)
- Imobilize o aparelho no relvado e ajuste o sentido de marcha pretendido com a alavanca da seleção do sentido de marcha. (⇒ 8.9)
- Prossiga com o processo de corte.

#### **Desacoplar o mecanismo de corte pela seguinte ordem:**

- Desloque-se para uma superfície com relva já cortada ou selecione o nível de corte mais elevado. (⇒ 8.15)
- Desacople o mecanismo de corte premindo o interruptor do mecanismo de corte ou a tecla do mecanismo de corte. (⇒ 8.5), (⇒ 8.6)



#### **Perigo de ferimentos!**

Após o desacoplamento do mecanismo de corte, tenha em atenção que a lâmina de corte demora até 7 segundos a ficar imobilizada. (⇒ 12.)

#### **13.8 Programar o desacoplamento automático do mecanismo de corte**

O acoplamento eletromagnético da lâmina pode ser programado de modo a que, com a cesta de recolha de relva cheia, o mecanismo de corte seja automaticamente desacoplado. Isto aumenta o conforto de manuseamento, pois pode evitar-se a obstrução do canal de expulsão.



- Desligue o motor de combustão. (⇒ 13.3)
- Rode a chave de ignição para a posição "Ignição ligada". (⇒ 8.1)
- Aguarde o diagnóstico próprio do sistema eletrónico – não prima nenhuma tecla.

#### **Ativar o desacoplamento automático:**

- Prima o interruptor de segurança do corte em marcha atrás e o pedal de acionamento durante 5 segundos ao mesmo tempo.  
Um sinal sonoro curto sinaliza que foi ligado o Automático.
- O ajuste atual é memorizado de forma permanente.

#### **Desativar o desacoplamento automático:**

- Coloque a alavanca de seleção do sentido de marcha na posição de marcha de avanço.
- Prima o interruptor de segurança do corte em marcha atrás e o pedal de acionamento durante 5 segundos ao mesmo tempo.  
3 sinais sonoros consecutivos sinalizam que o Automático foi desligado.
- O ajuste atual é memorizado de forma permanente.

#### **Programar o desacoplamento automático com a tecla Modo (apenas nos modelos RT 6112 ZL, RT 6127 ZL):**

- Coloque a alavanca de seleção do sentido de marcha na posição de marcha de avanço.

- Prima e mantenha premida a tecla do mecanismo de corte e prima a tecla Modo – o desacoplamento automático é ligado ou desligado com a tecla Modo (apresentação de ON ou OFF no visor).
- O ajuste atual é memorizado de forma permanente.

#### **Verificar a programação (apenas nos modelos RT 6112 ZL, RT 6127 ZL):**

- Prima e mantenha premida a tecla do mecanismo de corte. No visor, é apresentado o símbolo de mecanismo de corte ativado e a mensagem ON ou OFF.  
**ON** – Com a cesta de recolha de relva cheia, o mecanismo de corte é automaticamente desacoplado.  
**OFF** – Com a cesta de recolha de relva cheia, o mecanismo de corte não é automaticamente desacoplado.

---

### **13.9 Esvaziar a cesta de recolha de relva**



#### **Perigo de ferimentos!**

Esvazie a cesta de recolha de relva apenas em superfícies planas, pois, devido à viragem da cesta de recolha de relva para cima, o centro de gravidade altera-se, aumentando deste modo o perigo de capotamento.



Um som permanente durante o processo de corte da relva indica que a cesta de recolha de relva está totalmente cheia e tem de ser esvaziada.

Depois do desacoplamento do mecanismo de corte, o som permanente para. Nos modelos RT 6112 ZL e RT 6127 ZL, é apresentado o símbolo "Cesta de recolha de relva cheia" no visor quando a cesta de recolha de relva está cheia. (⇒ 10.5)

#### **Se a cesta de recolha de relva não for totalmente enchida, tenha em consideração os seguintes pontos:**

- Ajuste corretamente o sensor do nível de enchimento (cesta de recolha de relva). (⇒ 8.19)
- Ao esvaziar a cesta de recolha de relva do canal de expulsão, verifique se existem obstruções e, se necessário, limpe.
- Verifique as pás da lâmina de corte quanto a danos ou desgaste e, se necessário, substitua-as. (⇒ 15.13)

#### **Esvazie a cesta de recolha de relva:**

- Desacople o mecanismo de corte. (⇒ 8.5), (⇒ 8.6)  
O sinal sonoro prolongado para.
- Selecione o nível de corte mais elevado. (⇒ 8.15)
- Desloque-se com o aparelho para o local em que o material a cortar será esvaziado.

- Retire a alavanca do esvaziamento da cesta de recolha de relva e pressione-a para a frente. (⇒ 8.16)  
A cesta de recolha de relva vira para cima e o material a cortar sai da cesta de recolha de relva.
- Se necessário, desloque-se um pouco para a frente no caso de a cesta de recolha de relva estar virada para cima.
- Vire a cesta de recolha de relva brevemente para cima e para baixo para que o material a cortar saia totalmente da cesta de recolha de relva.
- Desloque lentamente a alavanca do esvaziamento da cesta de recolha de relva para trás e deixe a cesta de recolha de relva engatar novamente na retaguarda.
- Solte novamente a alavanca do esvaziamento da cesta de recolha de relva e pressione-a para baixo até voltar à posição de saída retraída.

---

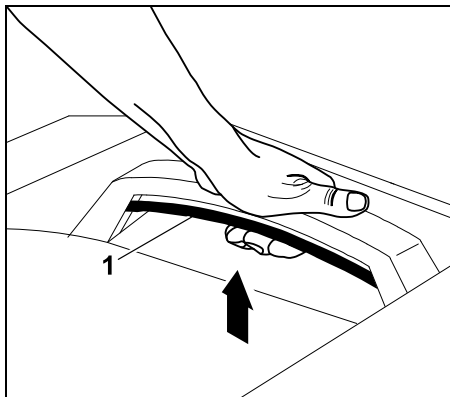
### **13.10 Remover e engatar a cesta de recolha da relva**

#### **Observar os seguintes pontos antes da remoção:**

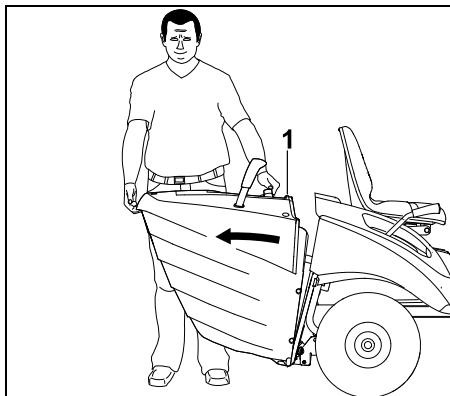
- Desacople o mecanismo de corte. (⇒ 8.5), (⇒ 8.6)
- Esvazie a cesta de recolha de relva. (⇒ 13.9)
- Acione o travão de estacionamento. (⇒ 8.14)
- Desligue o motor de combustão. (⇒ 13.3)

**i** Ao remover e engatar a cesta de recolha de relva, o arco do desbloqueio da cesta de recolha de relva deve ser sempre mantido na posição desbloqueada, até a cesta de recolha de relva estar totalmente retirada ou engatada.

#### Remover a cesta de recolha de relva:

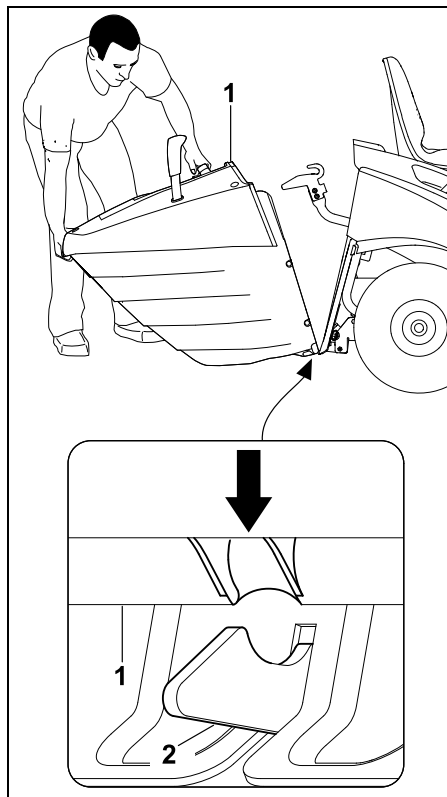


Puxe o arco de desbloqueio da cesta de recolha de relva (1) para cima e mantenha-o puxado.



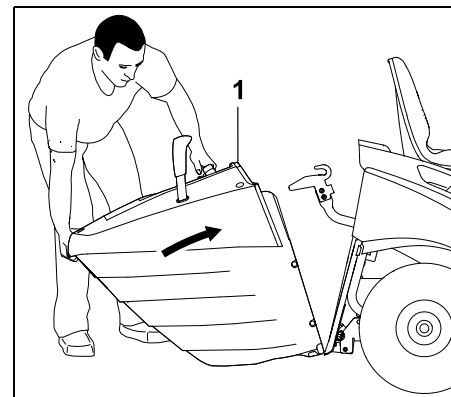
Remova a cesta de recolha de relva (1).

#### Engatar a cesta de recolha de relva:



Coloque a cesta de recolha de relva (1) nos dois ganchos de engate (2) da retagarda.

- Acione e mantenha acionado o arco de desbloqueio da cesta de recolha de relva. (⇒ 8.17)



Vire a cesta de recolha de relva (1) para cima até ao encosto.

- Solte o arco de desbloqueio da cesta de recolha de relva e certifique-se de que a cesta de recolha de relva engata. (⇒ 8.17)

**i** Se o aparelho for colocado em funcionamento sem cesta de recolha de relva ou defletor (acessório), não é possível acoplar o mecanismo de corte. Neste caso, o motor de combustão desliga-se automaticamente.

#### 13.11 Puxar cargas



##### Perigo de ferimentos!

Ao transportar cargas, altere as características de marcha do aparelho (por exemplo, percurso de travagem mais longo). Quanto mais pesada for a carga, mais devem ser alteradas as características de marcha! Ao puxar cargas, escolha uma velocidade de marcha reduzida.



### Evite danos no aparelho!

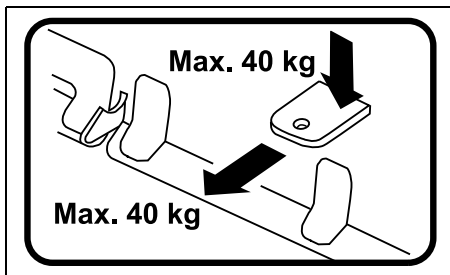
Em subidas, a carga máxima de tração diminui.

- Antes de engatar cargas, verifique o funcionamento do travão. (⇒ 13.5)



Peso máximo do reboque em piso plano = **250 kg**

Peso máximo do reboque com inclinação máxima de 10° = **100 kg**



Carga máxima no apoio = **40 kg**

Carga de tração máxima = **40 kg**



Uma carga de tração de 40 kg no acoplamento de reboque é alcançada em piso plano ao puxar um reboque com 250 kg de peso.

## 13.12 Utilização em encostas

- Antes de cada utilização numa encosta, verifique o funcionamento do travão. (⇒ 13.5)
- Percorra as encostas no sentido longitudinal. No caso de uma condução no sentido transversal, existe um elevado perigo de capotamento – observe a inclinação máxima do terreno. (⇒ 4.7)
- Evite as mudanças de sentido em encostas – as mudanças de sentido que não puderem ser evitadas devem ser efetuadas com um cuidado especial.

## 14. Mecanismo de corte

### 14.1 Desmontar o mecanismo de corte



#### Perigo de ferimentos!

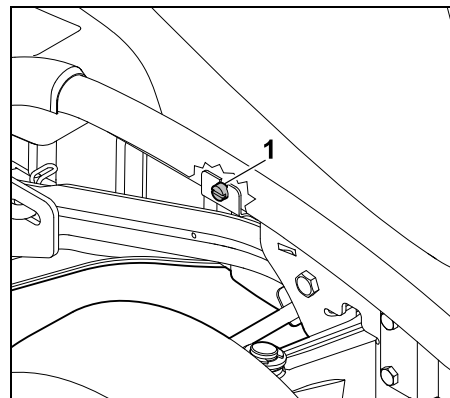
Antes de todos os trabalhos no mecanismo de corte, leia e observe cuidadosamente o capítulo "Para sua segurança". (⇒ 4.)

Ao desmontar, o próprio peso do mecanismo de corte representa **perigo de entalamento**. Por isso, certifique-se de que não se encontra nenhuma parte do corpo (mão, dedos, pé, etc.) diretamente por baixo do mecanismo de corte.

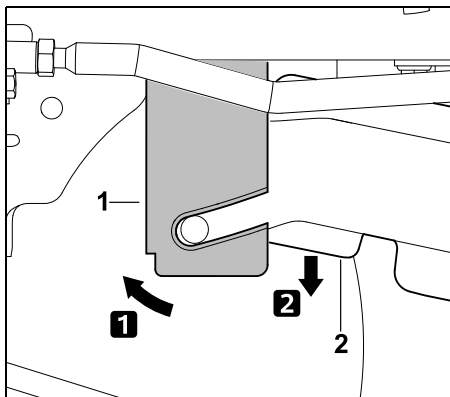
- Coloque o aparelho num piso plano e firme.
- Vire as rodas dianteiras para a esquerda ou para a direita até ao encosto.

- Desligue o motor de combustão. (⇒ 13.3)
- Retire a chave de ignição.
- Acione o travão de estacionamento. (⇒ 8.14)
- Selecione o nível de corte mais baixo. (⇒ 13.6)
- Remova a cesta de recolha de relva. (⇒ 13.10)
- Desmonte o canal de expulsão. (⇒ 15.5)

### Soltar a cobertura da correia trapezoidal:

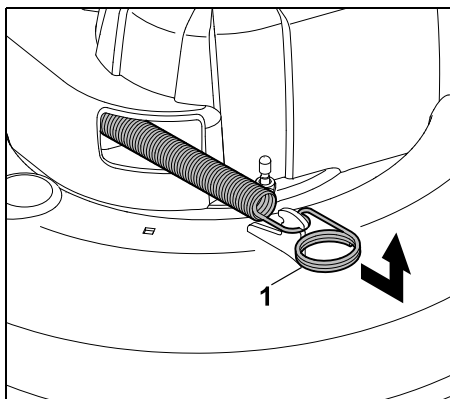


Desenrosque o parafuso (1) por trás da roda dianteira direita até rodar livremente.



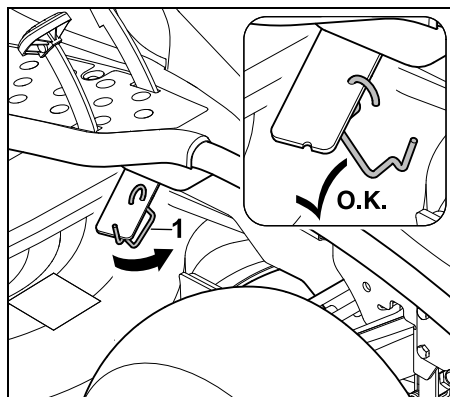
Prima a chapa de suporte (1) para a frente e mantenha-a nessa posição. Rebata a cobertura da correia trapezoidal (2) para baixo.

#### Aliviar a tensão da correia trapezoidal (RT 5097, RT 5097 Z):

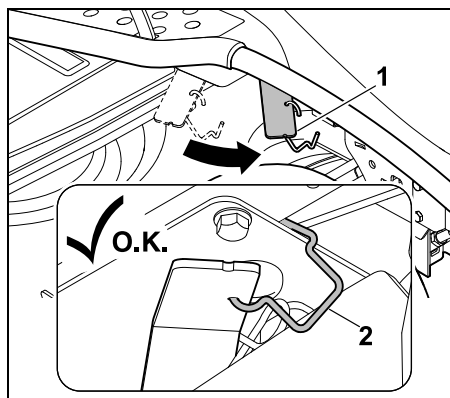


Puxe a mola tensora (1) para a frente, desengate-a e pouse-a.

#### Aliviar a tensão da correia trapezoidal (RT 5112 Z, RT 6112 ZL, RT 6127 ZL):



Desengate o estribo de retenção (1) da alavanca do dispositivo de tensão da correia trapezoidal.



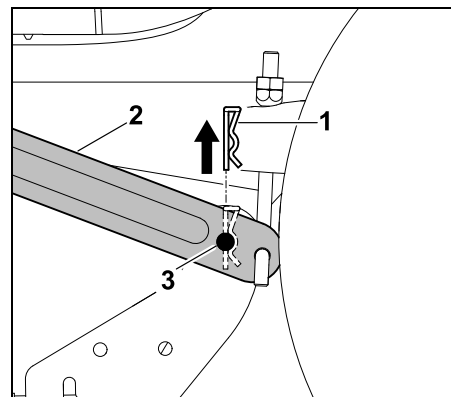
Pressione a alavanca do dispositivo de tensão da correia trapezoidal (1) para a frente e mantenha-a nessa posição. Engate o estribo de retenção (2) no quadro conforme ilustrado. Garanta que a alavanca do dispositivo de tensão da correia trapezoidal está fixada na posição dianteira.

#### Desengatar o mecanismo de corte traseiro:



#### Perigo de ferimentos!

Após o desengate do mecanismo de corte, a alavanca do ajuste da altura de corte está tensionada. Por isso, coloque cuidadosamente a alavanca do ajuste da altura de corte no nível de corte mais elevado.

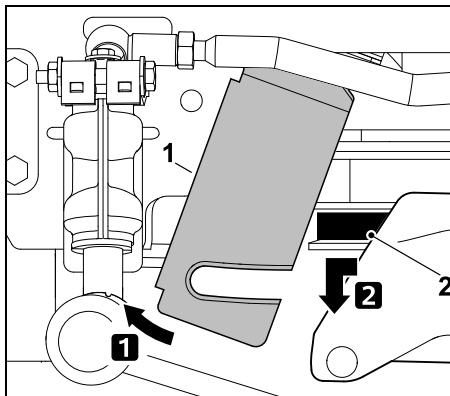


Puxe o contrapino de segurança (1) para cima.

Levante ligeiramente o mecanismo de corte e mantenha-o nessa posição. Puxe a suspensão (2) para fora e desenfie as cavilhas de fixação (3) da suspensão.

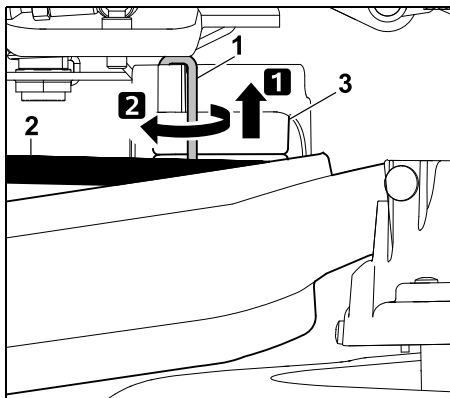
- Repita o processo do outro lado.
- Pouse o mecanismo de corte de forma lenta e cuidadosa.

### Desengatar a correia trapezoidal:



Prima a chapa de suporte (1) para a frente e mantenha-a nessa posição. Puxe a correia trapezoidal (2) para a frente e desengate-a.

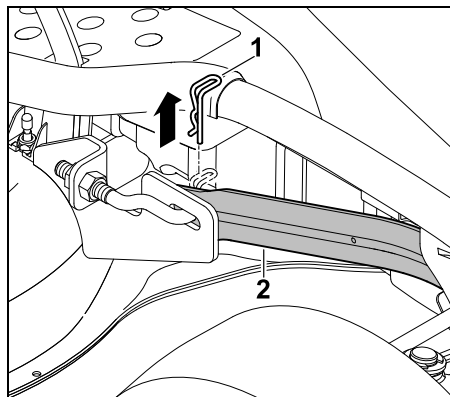
### Soltar a correia trapezoidal do rolo tensor (RT 5112 Z, RT 6112 ZL, RT 6127 ZL):



Prima o pino de segurança (1) aproximadamente 0,5 cm para cima e rode-o a 180°. Desengate a correia trapezoidal (2) do rolo tensor (3).

**i** Após o engate da correia trapezoidal, rode novamente o pino de segurança e prima-o para baixo até ao encosto até engatar na cobertura. Após o engate, verifique o assentamento firme do pino de segurança.

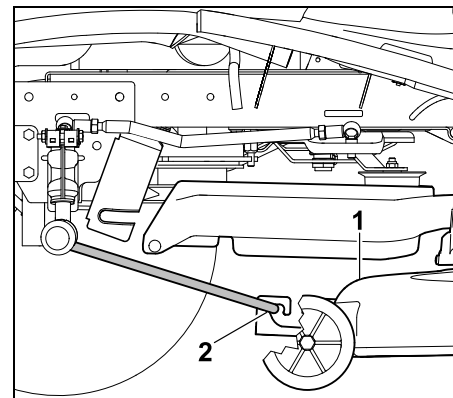
### Desengatar o mecanismo de corte dianteiro (RT 5097, RT 5097 Z):



Retire o contrapino de segurança (1). Levante ligeiramente o mecanismo de corte e solte-o da suspensão dianteira do mecanismo de corte (2). Solte o mecanismo de corte cuidadosamente.

- Repita o procedimento no outro lado.
- Pouse o mecanismo de corte de forma lenta e cuidadosa.

### Desengatar o mecanismo de corte dianteiro (RT 5112 Z, RT 6112 ZL, RT 6127 ZL):

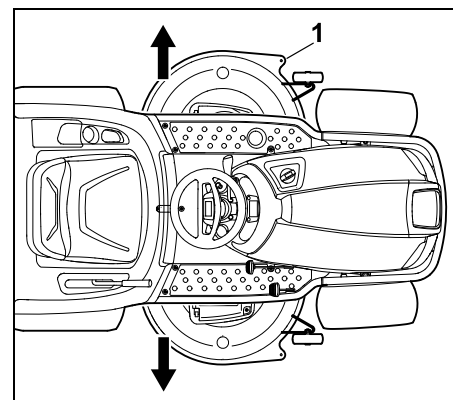


Desloque o mecanismo de corte (1) paralelamente para a frente e desengate-o na suspensão dianteira do mecanismo de corte (2). A suspensão rebate automaticamente para cima.

- Pouse o mecanismo de corte de forma lenta e cuidadosa.

### Retirar o mecanismo de corte:

- Ajuste o nível de corte mais elevado.





Opcionalmente, puxe o mecanismo de corte (1) a partir da esquerda ou da direita para baixo do trator corta-relva.

## 14.2 Montar o mecanismo de corte



### Perigo de ferimentos!

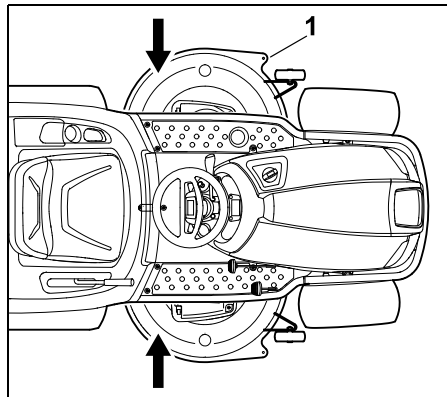
Antes de todos os trabalhos no mecanismo de corte, leia e observe cuidadosamente o capítulo "Para sua segurança". (⇒ 4.)

Ao montar, o próprio peso do mecanismo de corte representa **perigo de entalamento**. Por isso, certifique-se de que não se encontra nenhuma parte do corpo (mão, dedos, pé, etc.) diretamente por baixo do mecanismo de corte.

- Coloque o aparelho num piso plano e firme.
- Vire as rodas dianteiras para a esquerda ou para a direita até ao encosto.
- Desligue o motor de combustão. (⇒ 13.3)
- Retire a chave de ignição.
- Acione o travão de estacionamento. (⇒ 8.14)
- Selecione o nível de corte mais elevado. (⇒ 13.6)
- Remova a cesta de recolha de relva. (⇒ 13.10)
- Desmonte o canal de expulsão. (⇒ 15.5)

### Inserir o mecanismo de corte:

- Posicione a correia trapezoidal na abertura da cobertura da correia trapezoidal de modo que fique acessível e possa ser engatada.



Opcionalmente, arraste o mecanismo de corte (1) a partir da esquerda ou da direita para baixo do trator corta-relva.

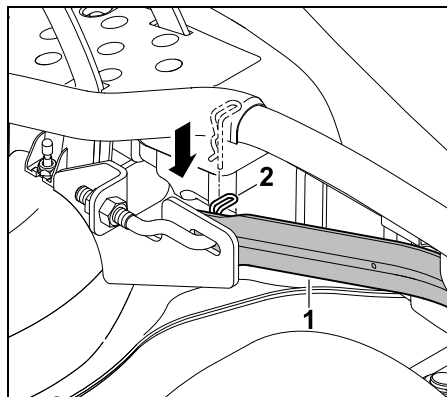
- Selecione o nível de corte mais baixo.



### Perigo de ferimentos!

No nível de corte mais reduzido, a alavanca do ajuste da altura de corte está tensionada. Não toque na alavanca do ajuste da altura de corte durante a montagem do mecanismo de corte.

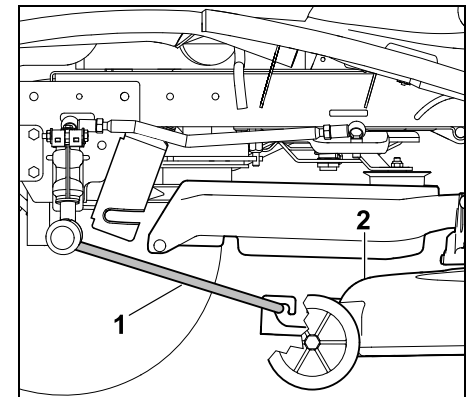
### Engatar o mecanismo de corte dianteiro (RT 5097, RT 5097 Z):



Puxe a suspensão dianteira do mecanismo de corte (1) para baixo e mantenha-a nessa posição. Levante ligeiramente o mecanismo de corte com uma mão e introduza as cavilhas da suspensão do mecanismo de corte no furo da suspensão dianteira do mecanismo de corte (1). Coloque o contrapino de segurança (2) através do furo da cavilha da suspensão.

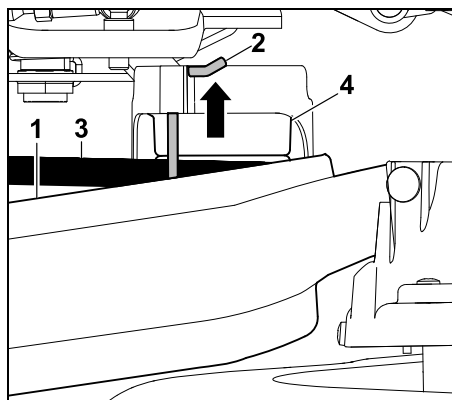
- Repita o procedimento no outro lado.

### Engatar o mecanismo de corte dianteiro (RT 5112 Z, RT 6112 ZL, RT 6127 ZL):

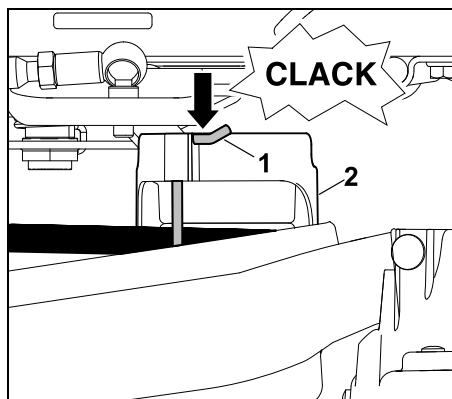


Rebata a suspensão do mecanismo de corte dianteiro (1) para baixo e engate-a no mecanismo de corte (2) conforme ilustrado. Desloque o mecanismo de corte (2) para trás de modo a fixar a suspensão do mecanismo de corte dianteiro (1) no mecanismo de corte.

Engate a correia trapezoidal no rolo tensor RT 5112 Z, RT 6112 ZL, RT 6127 ZL:



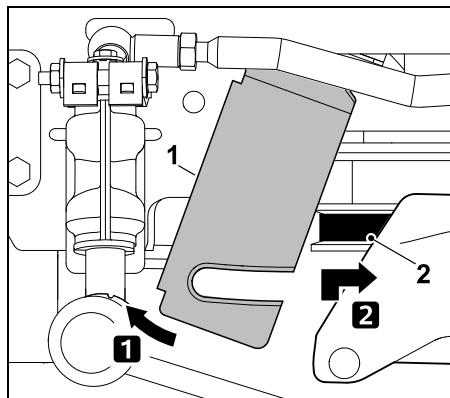
Prima a cobertura (1) para baixo e mantenha-a premida. Empurre o pino de segurança (2) aproximadamente 0,5 cm para cima. Engate a correia trapezoidal (3) no rolo tensor (4).



Prima o pino de segurança (1) para baixo até ao encosto. O pino de segurança (1) tem de engatar na cobertura (2).

**i** Verifique o assentamento seguro e firme do pino de segurança.

RT 5097, RT 5097 Z, RT 5112 Z, RT 6112 ZL, RT 6127 ZL:



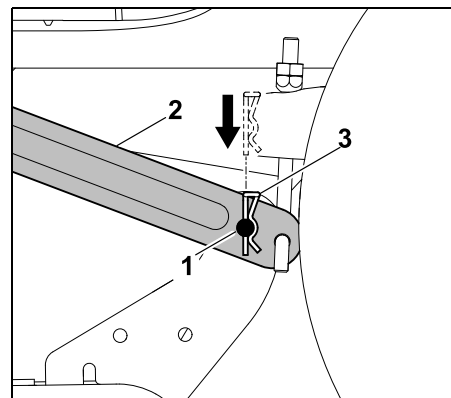
Prima a chapa de suporte (1) para a frente e mantenha-a nessa posição. Puxe a correia trapezoidal (2) para a frente e eleve-a com a cobertura da correia trapezoidal.

Engate corretamente a correia trapezoidal (2) (sem torções) na polia da correia trapezoidal.

**Engatar o mecanismo de corte traseiro:**

**i** Antes de engatar, verifique se o mecanismo de corte está corretamente engatado na suspensão do mecanismo de corte dianteiro.

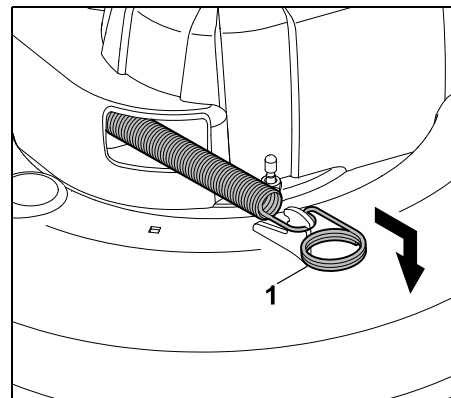
- Levante o mecanismo de corte com uma mão e segure-o. Os furos da suspensão e as cavilhas de fixação do mecanismo de corte têm de estar alinhados.



Enfie as cavilhas de fixação (1) nos furos de suspensão (2). Coloque o contrapino de segurança (3) a partir de cima nos furos das cavilhas de fixação e deixe engatar.

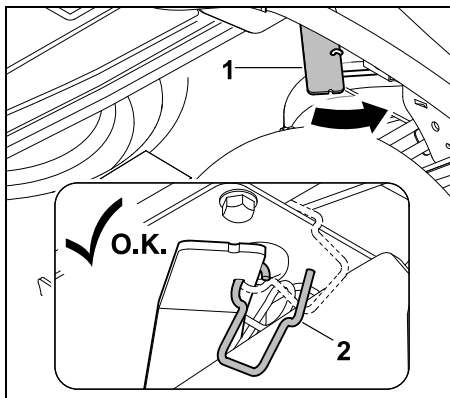
- Repita o processo do outro lado.

**Tensionar a correia trapezoidal (RT 5097, RT 5097 Z):**

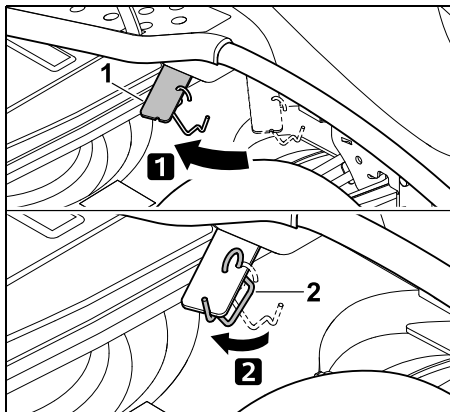


Puxe a mola tensora (1) para a frente e engate-a no mecanismo de corte conforme ilustrado.

## Tensionar a correia trapezoidal (RT 5112 Z, RT 6112 ZL, RT 6127 ZL):

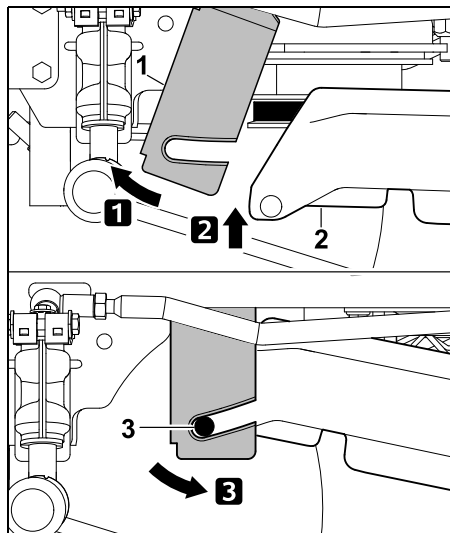


Pressione a alavanca do dispositivo de tensão da correia trapezoidal (1) para a frente e mantenha-a nessa posição. Desengate o estribo de retenção (2).

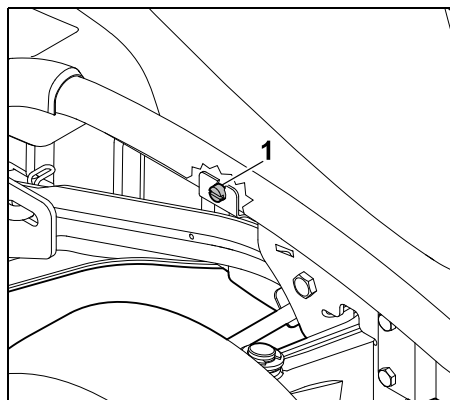


Tensione a correia trapezoidal aliviando a alavanca do dispositivo de tensão da correia trapezoidal (1). Engate o estribo de retenção (2) na alavanca do dispositivo de tensão da correia trapezoidal (1) conforme ilustrado.

## Montar a cobertura da correia trapezoidal:



Prima a chapa de suporte (1) para a frente e mantenha-a nessa posição. Rebata a cobertura da correia trapezoidal (2) para cima. Oriente a chapa de suporte (1) para trás e engate-a nas duas saliências de retenção (3) na cobertura da correia trapezoidal.



Aperte a chapa de suporte com o parafuso (1).

- Monte o canal de expulsão. (⇒ 15.6)

## 15. Manutenção



### Perigo de ferimentos!

Antes de todos os trabalhos de manutenção e de reparação, leia e observe cuidadosamente o capítulo "Para sua segurança", especialmente o subcapítulo "Manutenção e reparações". (⇒ 4.)

Retire a chave de ignição para evitar um arranque involuntário do motor de combustão.



Trabalhe sempre com luvas.



Nunca toque nas lâminas de corte antes de estarem completamente paradas.

Por razões de segurança, é proibido efetuar trabalhos de manutenção no travão. Solicite a realização dos trabalhos de afinação e de manutenção apenas a um distribuidor oficial. A STIHL recomenda os distribuidores oficiais STIHL.

### Indicações gerais sobre manutenção:

- Respeite escrupulosamente o plano e os intervalos de manutenção.
- Observe o plano e os trabalhos de manutenção incluídos no manual de utilização do motor de combustão.

## Antes de efetuar trabalhos de manutenção, reparação e limpeza:

- Coloque o aparelho num piso plano e firme.
- Desligue o motor de combustão. (⇒ 13.3)
- Acione o travão de estacionamento. (⇒ 8.14)
- Deixe o motor de combustão e o silenciador arrefecerem por completo.

## Consulte os seguintes trabalhos de manutenção e de reparação no manual de utilização do motor de combustão:

- Substitua o filtro de ar.
- Indicações sobre o óleo do motor (tipo, volume de óleo, etc.).
- Verifique e substitua a vela de ignição.
- Substitua o filtro do combustível.
- Limpeza do motor de combustão.

---

### 15.1 Plano de manutenção

Todas as indicações do plano de manutenção têm de ser escrupulosamente cumpridas.

A não observância do plano de manutenção poderá originar danos significativos no aparelho.



#### Nota

Em caso de utilização intensiva, especialmente no caso de uso profissional, podem ser necessários intervalos de manutenção mais curtos do que os aqui indicados.

Além disso, as condições externas extremas, como, por exemplo, pisos arenosos ou rochosos, pó, etc., poderão requerer intervalos de manutenção mais curtos do que os indicados no manual de utilização. Deverá ser efetuada uma inspeção por um distribuidor oficial a cada 100 horas de funcionamento ou uma vez por ano. A STIHL recomenda os distribuidores oficiais STIHL.

#### Indicação das horas de funcionamento (RT 6112 ZL, RT 6127 ZL):

Para que os diversos intervalos de manutenção possam ser exatamente rigorosamente respeitados, os tratores corta-relva RT 6112 ZL, RT 6127 ZL estão equipados com um contador de horas de funcionamento. As horas de funcionamento são apresentadas em horas completas.

- Num **motor de combustão desligado**, coloque a chave de ignição na posição "Ignição ligada". (⇒ 8.1)  
As horas de funcionamento são apresentadas no visor durante 5 segundos. (⇒ 10.1)
- Num **motor de combustão a trabalhar**, prima a tecla Modo. (⇒ 10.3)  
As horas de funcionamento são apresentadas no visor durante 5 segundos.

## Trabalhos de manutenção antes de cada colocação em funcionamento:

Para que se alcance um funcionamento eficiente e seguro e para se evitarem avarias, é importante conhecer o estado do aparelho.

Para tal, são necessárias as seguintes verificações antes de cada arranque (verificação visual):

- Pressão dos pneus. (⇒ 15.16)
- Desgaste e danos nos pneus.
- Estanqueidade dos tubos de condução do combustível.
- Nível do óleo do motor (ver manual de utilização do motor de combustão).
- Nível de combustível.
- Verificações visuais gerais no aparelho e no mecanismo de corte. É necessário verificar em particular se as coberturas de proteção apresentam sinais de danos.
- Assentamento correto das uniões aparafusadas.

## Trabalhos de manutenção após cada utilização:

- Limpe todo o aparelho (com mecanismo de corte, canal de expulsão, cesta de recolha de relva) e todo o aparelho acoplável.
- Observe as indicações sobre a limpeza do motor de combustão (ver manual de utilização do motor de combustão).
- Retire (remova) os restos de relva e sujidades semelhantes da transmissão.
- Verifique as alhetas de refrigeração do motor de combustão e da transmissão hidrostática e, se necessário, limpe-as.

### Trabalhos de manutenção após as primeiras 10 horas de funcionamento (primeira colocação em funcionamento):

- É aconselhável solicitar uma inspeção ao seu distribuidor oficial.  
A STIHL recomenda os distribuidores oficiais STIHL.

### Trabalhos de manutenção a cada 25 horas de funcionamento:

- Verificar as fixações da lâmina e os limites de desgaste das lâminas de corte.
- Verificar a posição de montagem das lâminas de corte (RT 5112 Z, RT 6112 ZL, RT 6127 ZL).

### Trabalhos de manutenção a cada 50 horas de funcionamento:

- Verifique a posição de montagem do mecanismo de corte. (⇒ 15.14)

### Trabalhos de manutenção a cada 100 horas de funcionamento:

- Substituição das lâminas de corte.
- Manutenção da correia trapezoidal e da correia dentada.
- Inspeção por um distribuidor oficial. A STIHL recomenda os distribuidores oficiais STIHL.



Durante a inspeção, são realizados todos os trabalhos de manutenção necessários no sistema de travagem e na transmissão.

## 15.2 Limpar o aparelho



**Evite danos no aparelho!** Nunca dirija jatos de água (aparelho de limpeza por alta pressão) para peças do motor, vedações, componentes elétricos (bateria, cablagem, etc.) e pontos de apoio. Isso poderá causar danos e exigir reparações dispendiosas.

Não utilize produtos de limpeza agressivos. Estes produtos de limpeza podem danificar plásticos e metais, prejudicando o funcionamento seguro do seu aparelho STIHL. Caso não consiga remover sujidades com água, uma escova ou um pano, a STIHL recomenda a utilização de um produto especial de limpeza (por exemplo, o produto especial de limpeza STIHL).



Para efetuar trabalhos de limpeza e de manutenção, desmonte sempre o mecanismo de corte.

- Desligue o motor de combustão. (⇒ 13.3)
- Acione o travão de estacionamento. (⇒ 8.14)
- Retire a chave de ignição e guarde-a em lugar seguro.
- Desmonte o mecanismo de corte. (⇒ 14.1)
- Solte os restos de relva encrostados no cârter do mecanismo de corte primeiramente com uma tala de madeira.
- Limpe a parte inferior do mecanismo de corte com uma escova e água.

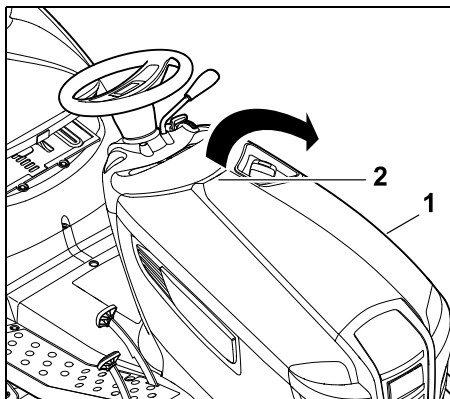
- Ao limpar a parte superior do mecanismo de corte, preste atenção para que não entre água na correia trapezoidal e na correia dentada – nunca dirija jatos de água para as aberturas da cobertura.
- Limpe o canal de expulsão no estado desmontado fora do aparelho com água abundante e uma escova.
- Retire os restos de relva do mecanismo de corte (parte superior e inferior), do compartimento do motor e da transmissão. Limpe as alhetas de refrigeração do motor de combustão e da transmissão.
- Limpe a lâmina de corte com uma escova e água – nunca bata na lâmina de corte para soltar a sujidade (por exemplo, com um martelo).
- Retire a cesta de recolha de relva e, fora do aparelho, limpe com água abundante e uma escova. (⇒ 13.10)

## 15.3 Abrir o capot



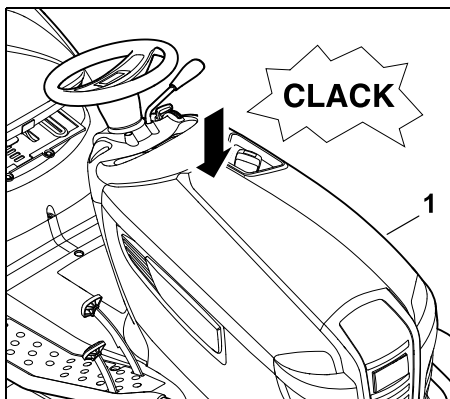
### Perigo de queimaduras!

Abra o capot apenas com o motor de combustão frio.



Pegue no capot (1) com uma mão pela pega (2) e abra-o para cima com um ligeiro puxão.  
Rebata o capot (1) para a frente até ao encosto.

#### 15.4 Fechar o capot



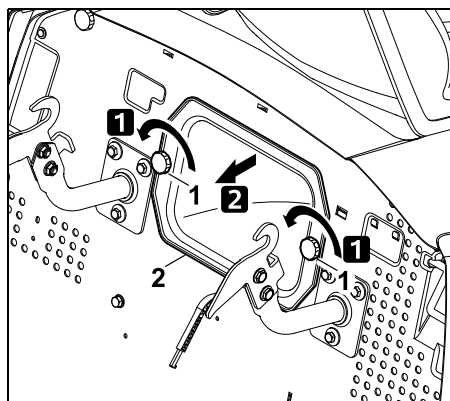
Feche o capot (1) cuidadosamente e deixe-o engatar lentamente.

#### 15.5 Desmontar o canal de expulsão

O canal de expulsão pode ser desmontado para limpeza sem ferramenta adicional. Não é possível ligar o motor de combustão com o canal de expulsão desmontado.

**Observe os seguintes pontos antes da desmontagem:**

- Desligue o motor de combustão.  
(⇒ 13.3)
- Retire a chave de ignição e guarde-a em lugar seguro.
- Acione o travão de estacionamento.  
(⇒ 8.14)
- Remova a cesta de recolha de relva.  
(⇒ 13.10)



Desenrosque as porcas de fecho (1), retire o canal de expulsão (2).

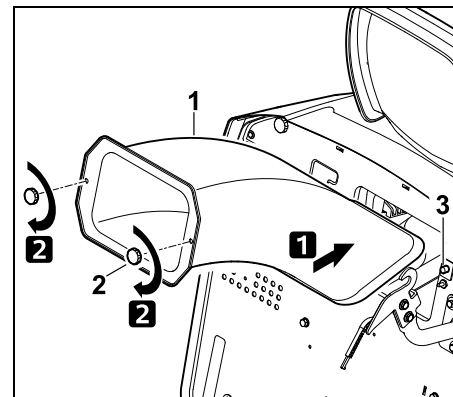
**i** Nos modelos RT 6112 ZL e RT 6127 ZL, o símbolo "Canal de expulsão desmontado" é apresentado no visor quando a chave de ignição é rodada para a posição "Luz ligada" ou "Ignição ligada". (⇒ 10.5)

#### 15.6 Montar o canal de expulsão

**i** Em cada limpeza ou montagem do canal de expulsão, verifique adicionalmente o sensor do nível de enchimento (cesta de recolha de relva) e, se necessário, limpe-o.

**Observe os seguintes pontos antes da montagem:**

- Acione o travão de estacionamento.  
(⇒ 8.14)
- Remova a cesta de recolha de relva.  
(⇒ 13.10)
- Selecione o nível de corte mais baixo.



Insira o canal de expulsão (1) até ao encosto. Ao inserir, certifique-se de que o canal de expulsão é virado em todos os lados por cima da abertura de expulsão do mecanismo de corte.

Enrosque as porcas de fecho (2) e aperte-as.



### Aviso!

O canal de expulsão enquadra-se nas coberturas de proteção. Não coloque o trator corta-relva em funcionamento com um canal de expulsão danificado.

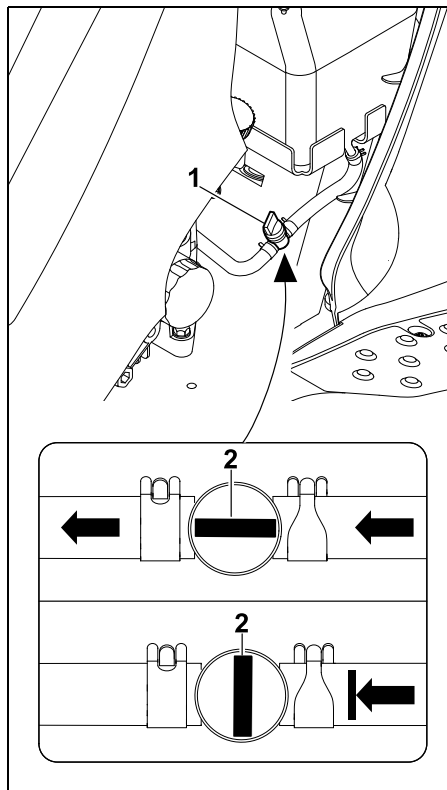
Ao montar o canal de expulsão, garanta que o interruptor de contacto (3) é acionado.

## 15.7 Torneira do combustível

O fluxo de combustível para a conduta do combustível é desbloqueado ou interrompido através da abertura ou fecho da torneira do combustível.

A torneira do combustível encontra-se no lado esquerdo, por baixo do depósito de combustível.

- Desligue o motor de combustível. (⇒ 13.3)
- Acione o travão de estacionamento. (⇒ 8.14)



A torneira do combustível (1) é aberta ou fechada através da rotação da válvula reguladora (2).

## 15.8 Verificar o nível de enchimento do óleo do motor

- Coloque o aparelho num piso plano e firme.
- Desligue o motor de combustível. (⇒ 13.3)
- Acione o travão de estacionamento. (⇒ 8.14)
- Deixe arrefecer o motor de combustível.

- Abra o capot. (⇒ 15.3)
- Verifique o nível de enchimento de acordo com o manual de utilização do motor de combustão – se necessário, encha com óleo de motor. (⇒ 15.10)

## 15.9 Mudança de óleo do motor



### Perigo de ferimentos!

Antes do reabastecimento de óleo do motor ou antes de uma mudança de óleo, deixe arrefecer o motor de combustão.

Perigo de queimaduras provocadas pelo óleo de motor quente.

Poderá encontrar informações sobre o óleo do motor e o volume de óleo indicados no manual de utilização do motor de combustão.

Efetue a mudança de óleo quando o motor de combustão estiver morno. Coloque um recipiente de recolha de óleo adequado (observar o volume de óleo) por baixo do tubo de escoamento de óleo.

Elimine o óleo usado conforme as diretivas legais.

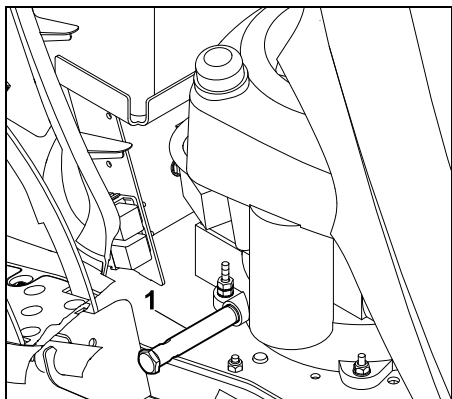
### Intervalos de mudança do óleo:

Poderá encontrar os intervalos de mudança de óleo recomendados no manual de utilização do motor de combustão.

### Escoar o óleo do motor:

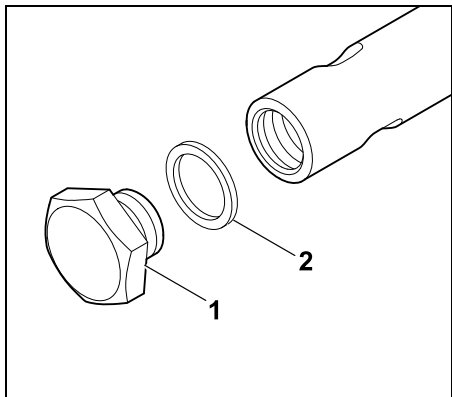
- Desligue o motor de combustível. (⇒ 13.3)
- Acione o travão de estacionamento. (⇒ 8.14)
- Retire a chave de ignição e guarde-a em lugar seguro.
- Deixe arrefecer o motor de combustível (morno).

- Abra o capot. (⇒ 15.3)
- Desenrosque o bujão de fecho do óleo (consulte o manual de utilização do motor de combustão).



O tubo de escoamento do óleo (1) encontra-se no lado direito do motor de combustão, junto aos dois pedais.

- Coloque um recipiente adequado para recolher o óleo por baixo.



Desenrosque o tampão de escoamento do óleo (1) e remova-o com o auxílio de duas chaves de bocas (SW19/SW15). Elimine o anel de vedação (2).

- Escoe o óleo do motor por completo. Em seguida, encaixe o novo anel de vedação (2) no tampão de escoamento do óleo (1). Enrosque e aperte o tampão de escoamento do óleo no tubo de escoamento de óleo com 12 - 14 Nm.

### 15.10 Reabastecer com óleo do motor



#### Evite danos no aparelho!

Deve evitar a insuficiência ou o excesso do nível do óleo do motor.

- Abra o capot. (⇒ 15.3)
- Verifique o nível de enchimento do óleo do motor. (⇒ 15.8)
- Abasteça com óleo do motor de acordo com o manual de utilização do motor de combustão – utilize um funil adequado.
- Feche o capot. (⇒ 15.4)

### 15.11 Controlar os dispositivos de segurança



#### Perigo de ferimentos!

Os dispositivos de segurança apenas podem ser verificados a partir do assento do condutor. Como tal, não podem permanecer outras pessoas nas proximidades, nomeadamente crianças ou animais.

O funcionamento de todos os dispositivos de segurança deverá ser controlado, pelo menos, uma vez por mês.

Após uma interrupção de funcionamento mais longa, nos aparelhos com pouco uso ou após reparações, verifique sempre todos os dispositivos de segurança antes de uma nova colocação em funcionamento.

#### Verificar o interruptor de contacto de travagem:

- Sente-se no assento do condutor.
- Desligue o motor de combustão e deixe-o parar por completo. (⇒ 13.3)
- **Não** acione o pedal do travão nem solte o travão de estacionamento.
- Rode a chave de ignição para a posição "Ligar o motor de combustão". (⇒ 8.1)

**Com o interruptor de contacto de travagem em funcionamento, não é possível ligar o motor de combustão.**

#### Verificar o interruptor de contacto do assento:

- Sente-se no assento do condutor.



- Ligue o motor de combustão (⇒ 13.2) e deixe-o trabalhar na máxima rotação. (⇒ 8.2), (⇒ 8.3)
- Acople o mecanismo de corte. (⇒ 8.5), (⇒ 8.6)
- Alivie o assento do condutor levantando-se de forma lenta e cuidadosa. Não saia!

**Com o interruptor de contacto do assento em funcionamento, o motor de combustão desliga-se.**

**Verificar o interruptor de contacto da cesta de recolha de relva:**

- Sente-se no assento do condutor.
- Ligue o motor de combustão (⇒ 13.2) e deixe-o trabalhar na máxima rotação. (⇒ 8.2), (⇒ 8.3)
- Acople o mecanismo de corte. (⇒ 8.6), (⇒ 8.6)
- Bascule a cesta de recolha de relva com o auxílio da alavanca do esvaziamento da cesta de recolha de relva para cima (esvaziar) a partir do assento do condutor. (⇒ 13.9)

**Com o interruptor de contacto da cesta de recolha de relva em funcionamento, o motor de combustão é desligado e o mecanismo de corte desacoplado.**

**Verificar o interruptor de contacto do canal de expulsão:**

- Desmonte o canal de expulsão (⇒ 15.5) e, em seguida, volte a engatar a cesta de recolha de relva. (⇒ 13.10)
- Sente-se no assento do condutor.
- Carregue no pedal do travão até ao encosto e mantenha-o nessa posição. (⇒ 8.13)

- Rode a chave de ignição para a posição "Ligar o motor de combustão". (⇒ 8.1)

**Com o interruptor de contacto do canal de expulsão em funcionamento, não é possível ligar o motor de combustão.**

**Verificar o interruptor de segurança do corte em marcha atrás:**

- Sente-se no assento do condutor – não pressione o interruptor de segurança do corte em marcha atrás.
- Ligue o motor de combustão (⇒ 13.2) e deixe-o trabalhar na máxima rotação. (⇒ 8.2), (⇒ 8.3)
- Acople o mecanismo de corte. (⇒ 8.5), (⇒ 8.6)
- Selecione o sentido de marcha atrás e arranque. (⇒ 8.9)

**Com o interruptor de segurança do corte em marcha atrás em funcionamento, o mecanismo de corte é desacoplado após 1 segundo.**

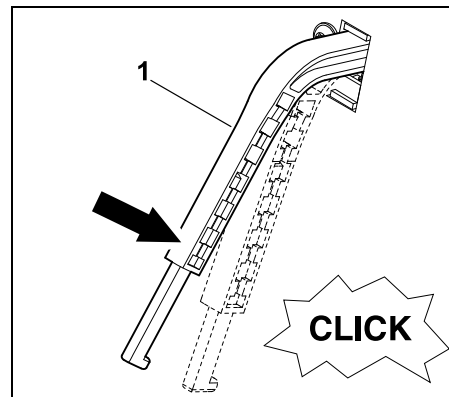
**15.12 Limpar o sensor do nível de enchimento (cesta de recolha de relva)**

O sensor do nível de enchimento (cesta de recolha de relva) pode sujar-se devido à relva molhada ou húmida ao cortar a relva. O funcionamento ficará afetado, por conseguinte.

Para prevenção, limpe o sensor do nível de enchimento após cada processo de corte ou limpeza do canal de expulsão.

- Desligue o motor de combustão. (⇒ 13.3)
- Retire a chave de ignição e guarde-a em lugar seguro.

- Acione o travão de estacionamento. (⇒ 8.14)
- Remova a cesta de recolha de relva. (⇒ 13.10)



Com uma ligeira pressão, pressione o sensor do nível de enchimento (cesta de recolha de relva) (1) para baixo. Nessa ocasião, tem de ser possível movimentá-lo e ouvir-se um ligeiro "clique" do interruptor. Depois de soltar, o sensor do nível de enchimento tem de voltar automaticamente para cima para a posição inicial.

- No caso de funcionamento deficiente ou de sujidade, limpe o sensor do nível de enchimento cuidadosamente com uma escova – não utilize água.

## 15.13 Manutenção das lâminas de corte



### Perigo de ferimentos!

Trabalhe sempre com luvas.



Se lhe faltarem os meios auxiliares ou os conhecimentos necessários, dirija-se **sempre** a um distribuidor oficial (a STIHL recomenda os distribuidores oficiais STIHL).

Nunca toque nas lâminas de corte antes de estarem completamente paradas.

Desligue o mecanismo de corte sempre num piso antiderrapante.

### Intervalo de manutenção:

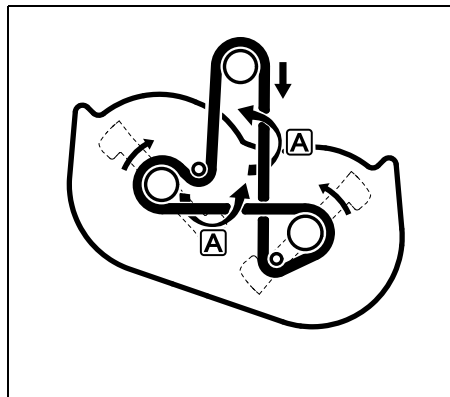
A cada 25 horas de funcionamento

### Trabalhos de manutenção:

- Verificar os limites de desgaste das lâminas de corte.
- RT 5112 Z, RT 6112 ZL, RT 6127 ZL: Verificar a posição de montagem das lâminas de corte.

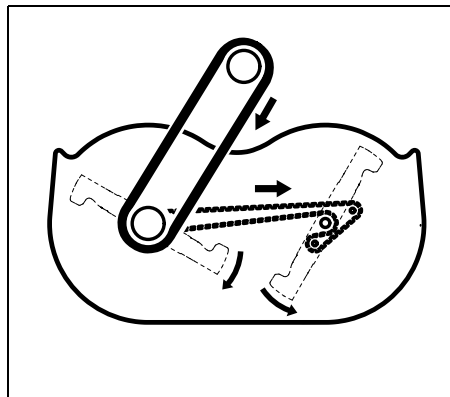
- Se necessário (mau resultado de corte), afiar ou substituir as lâminas de corte.

### Percurso da correia trapezoidal e sentido de rotação das lâminas de corte nos modelos RT 5097, RT 5097 Z:



A correia trapezoidal é rodada devido ao desvio duplo na posição **A** a 180°.

### Percurso da correia trapezoidal ou correia dentada e sentido de rotação das lâminas de corte nos modelos RT 5112 Z, RT 6112 ZL, RT 6127 ZL:



Todos os trabalhos de manutenção e controlo da correia dentada devem ser efetuados pelo distribuidor oficial STIHL.

### Verificar os limites de desgaste da lâmina de corte:



### Perigo de ferimentos!

Uma lâmina de corte gasta pode partir e causar ferimentos graves. É, por isso, imprescindível respeitar as indicações para a manutenção das lâminas. As lâminas de corte sofrem um desgaste mais ou menos acentuado consoante o local e a duração da utilização. Se usar o aparelho sobre um chão arenoso ou com frequência em condições secas, as lâminas de corte estarão sujeitas a um maior esforço, desgastando-se acima da média.

### Atenção!

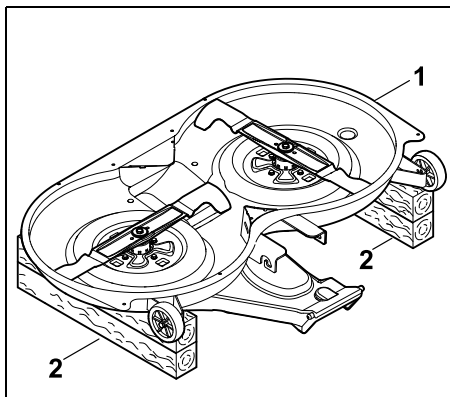
Ao trocar a lâmina de corte, substitua **sempre** também o **parafuso da lâmina** e a **arruela de aperto**.



A STIHL aconselha a desmontagem do mecanismo de corte ao verificar os limites de desgaste.

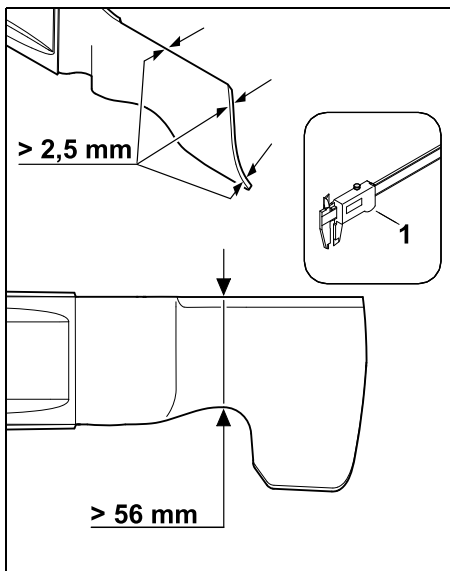
Se dispuser de uma plataforma elevadora adequada, também poderá verificar os limites de desgaste da lâmina de corte com o mecanismo de corte montado.

- Desmonte o mecanismo de corte. (⇒ 14.1)



Rode o mecanismo de corte (1) e, com as lâminas viradas para cima, eleve a cerca de 20 cm e coloque em bases de madeira suficientemente longas (2) no solo.

- Limpe cuidadosamente as lâminas de corte e o mecanismo de corte. (⇒ 15.2)



A lâmina de corte deve ter, pelo menos, **2,5 mm** de espessura e, no seu ponto mais estreito, pelo menos, **56 mm** de largura.

Verifique a **espessura da lâmina** de ambas as lâminas de corte com a ajuda de uma corredeira de medição (1) em vários pontos. Verifique a **largura da lâmina** no ponto ilustrado com ajuda de uma corredeira de medição (1).

Substitua a lâmina de corte se os valores descritos já não forem atingidos num dos pontos.

### Verificar a posição de montagem das lâminas de corte (RT 5112 Z, RT 6112 ZL, RT 6127 ZL):



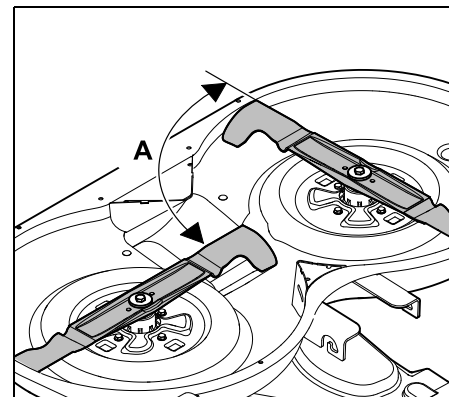
#### Perigo de ferimentos!

Para que as lâminas de corte não se toquem durante o processo de corte, estas devem ser montadas com um ângulo de cerca de 90°. O mecanismo de corte não deve ser acoplado se o corte for efetuado noutra ângulo. Se necessário, dirija-se a um distribuidor oficial. A STIHL recomenda os distribuidores oficiais STIHL.



A STIHL aconselha a desmontagem do mecanismo de corte ao verificar a posição de montagem. Se dispuser de uma plataforma elevadora adequada, também poderá verificar a posição de montagem da lâmina de corte com o mecanismo de corte montado.

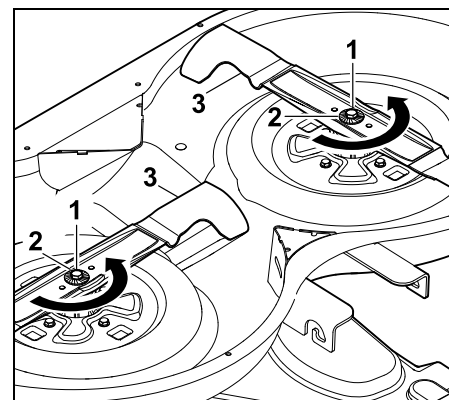
- Se necessário, coloque o mecanismo de corte em duas bases de madeira adequadas no solo.



Rode as lâminas de corte conforme ilustrado e verifique o ângulo **A** (cerca de 90°) do corte.

### Desmontar as lâminas de corte:

- Desmonte o mecanismo de corte. (⇒ 14.1)
- Coloque o mecanismo de corte na base de madeira adequada no solo.



Solte e desenrosque o parafuso da lâmina (1) com o auxílio de uma chave de bocas SW17 (não incluída no âmbito do fornecimento). Ao soltar o parafuso da lâmina, contra-apoie a lâmina de corte.

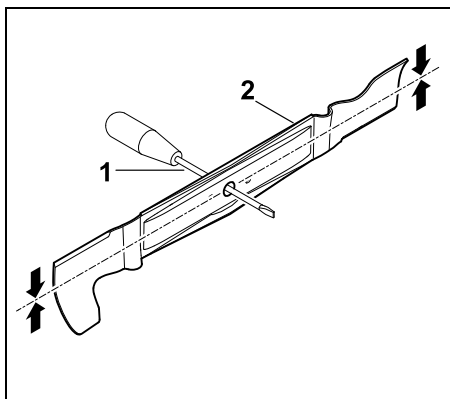
Remova o parafuso da lâmina (1) com a arruela de aperto (2) e a lâmina de corte (3).

#### Afiar a lâmina de corte:

**! Perigo de ferimentos!** Durante o processo de afiação, utilize sempre óculos de proteção e luvas.

- Ao afiar, arrefeça a lâmina de corte, por exemplo, com água. Não deverá ocorrer uma coloração a azul; caso contrário, o poder de corte diminuirá.
- Afie a lâmina de corte uniformemente, de modo a evitar vibrações causadas por um desequilíbrio.
- Respeite um ângulo de corte de **30°**.
- Ao afiar, preste atenção aos limites de desgaste.

#### Verificar o equilíbrio das lâminas de corte:



Insira a chave de fendas (1) através do furo central.

Se a lâmina de corte (2) estiver desequilibrada, terá de ser equilibrada na posição ilustrada.



#### Perigo de ferimentos!

Se a lâmina não ficar equilibrada, é necessário afiar até à lâmina de corte ficar equilibrada.

A lâmina de corte apenas pode ser equilibrada por reafiação dos gumes.

#### Montar a lâmina de corte:



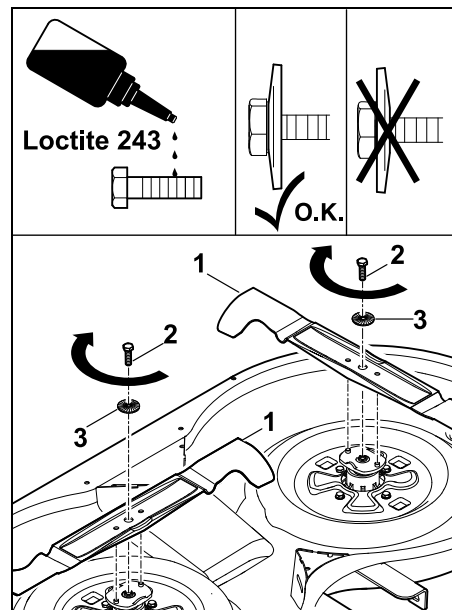
#### Perigo de ferimentos!

Antes da montagem, verifique se a lâmina de corte apresenta danos (entalhes ou fendas) ou desgaste. As lâminas de corte gastas ou que apresentem danos têm de ser substituídas.

Substitua a arruela de aperto em cada montagem das lâminas. Fixe adicionalmente o parafuso da lâmina com **Loctite 243**.

O binário de aperto indicado de **65 - 70 Nm** para os parafusos das lâminas tem de ser escrupulosamente respeitado, dado que disso depende a fixação segura da ferramenta de corte.

- Monte a lâmina de corte com as pás de ventoinha viradas para cima (apontadas para o mecanismo de corte).



Encaixe a lâmina de corte (1) e enrosque o parafuso da lâmina (2 – aplique **Loctite 243**) com a arruela de aperto (3 – observe a convexidade) e fixe com um binário de aperto de **65 - 70 Nm**. Ao fixar o parafuso da lâmina, contra-apoie a lâmina de corte.

- RT 5112 Z, RT 6112 ZL, RT 6127 ZL: Verificar a posição de montagem das lâminas de corte.

#### 15.14 Verificar a posição de montagem do mecanismo de corte

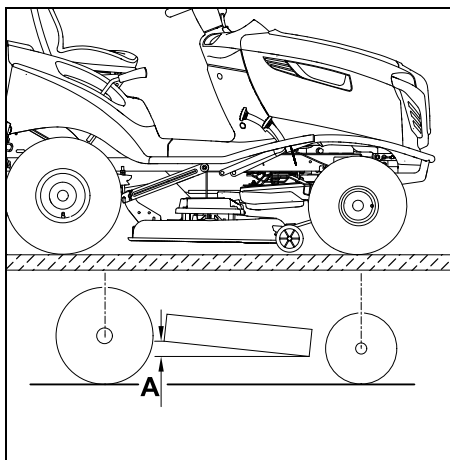
##### Intervalo de manutenção:

A cada 50 horas de funcionamento ou quando necessário (por exemplo, após fortes pancadas no mecanismo de corte ou em corte irregular).

**i** Uma pressão dos pneus uniforme é uma condição fundamental para a verificação da correta posição de montagem. Antes da verificação da posição de montagem, é necessário verificar e, se necessário, compensar a pressão de todos os pneus. (⇒ 15.16)

O mecanismo de corte encontra-se na posição de montagem correta se estiver ligeiramente inclinado para a frente – fica mais baixo na parte dianteira do que na parte traseira.

- Coloque o aparelho num piso plano.
- Desligue o motor de combustão. (⇒ 13.3)
- Acione o travão de estacionamento. (⇒ 8.14)
- Retire a chave de ignição e guarde-a em lugar seguro.
- Selecione o nível de corte mais baixo. (⇒ 8.15)



Diferença de altura **A = 10 mm**.

### 15.15 Substituir as rodas

Em caso de danos (furo, fissuras, cortes, etc.) nos pneus, desmonte a roda danificada e dirija-se a um distribuidor oficial.

#### Elevar e apoiar o aparelho:



#### Perigo de ferimentos!

Ao levantar, tenha em conta o peso elevado do aparelho (ver o capítulo "Dados técnicos"). (⇒ 22.)

Se necessário, eleve o aparelho com o auxílio de uma segunda pessoa ou com um macaco (não incluído no âmbito de fornecimento).

Evite o deslocamento do aparelho antes de o elevar.

O travão atua apenas sobre as rodas traseiras. Ao elevar o eixo traseiro, evite o deslocamento do aparelho.

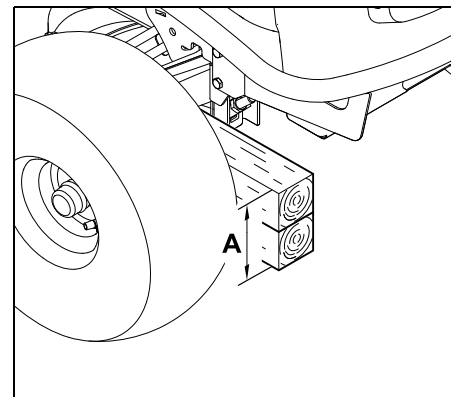


#### Evitar danos no aparelho

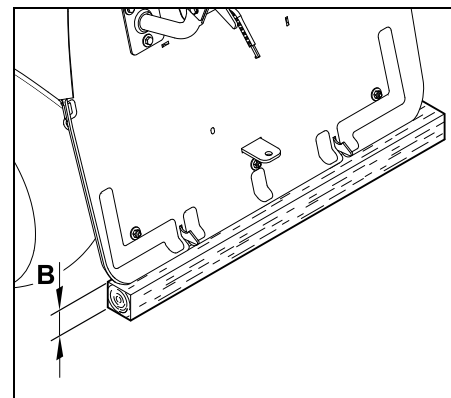
Ao apoiar, certifique-se de que o aparelho apenas pousa na base com o eixo ou com o acoplamento de reboque.

Eleve o aparelho apenas pelos componentes adequados (como, por exemplo, quadro, jantes, eixo). Nunca eleve ou apoie o aparelho pelas peças de plástico.

- Coloque o aparelho num piso plano e firme e evite o seu deslocamento.
- Desligue o motor de combustão. (⇒ 13.3)
- Acione o travão de estacionamento. (⇒ 8.14)
- Retire a chave de ignição e guarde-a em lugar seguro.

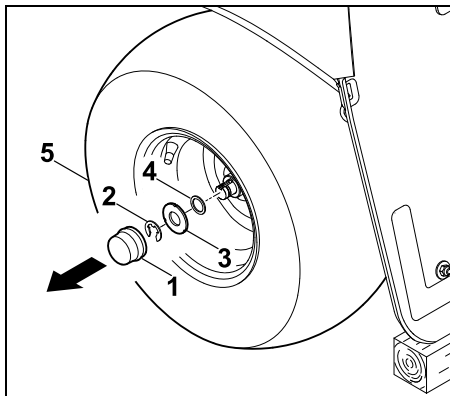


Para aliviar as **rodas dianteiras**, apoie o trator corta-relva nos eixos dianteiros:  
**A = no mínimo, 260 mm**



Para aliviar as **rodas traseiras**, apoie o trator corta-relva na retaguarda:  
**B = no mínimo, 120 mm**

## Desmontar a roda:



Retire a tampa (1). Remova o anel de aperto (2) com o auxílio de uma chave de parafusos.

Retire a anilha grande (3) e a anilha pequena (4 – apenas nas rodas traseiras) juntamente com as rodas (5) dos eixos das rodas.



### Evite danos no aparelho!

Durante a desmontagem das rodas traseiras, certifique-se de que os arrastadores (molas de ajuste) não se perdem.

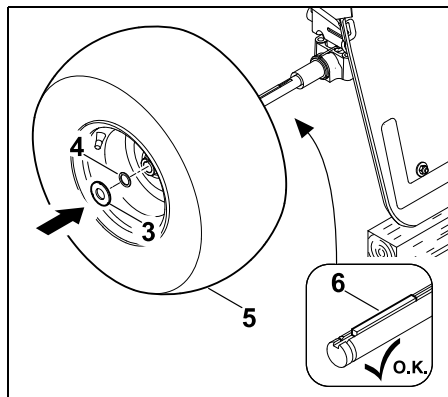
## Montar a roda:



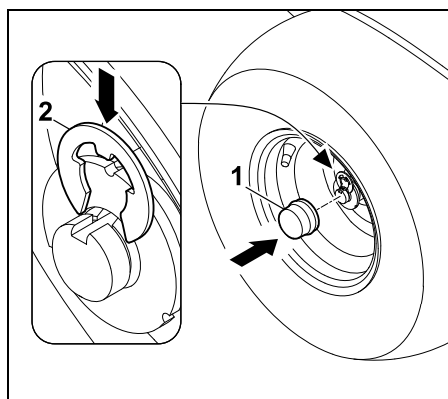
### Evite danos no aparelho!

Antes da montagem das rodas traseiras, tenha em atenção se os arrastadores (molas de ajuste) se encontram na posição correta na ranhura do eixo da roda.

- Retire a sujidade do eixo da roda.
- Antes da montagem, cubra ligeiramente o eixo da roda com massa lubrificante.



Introduza a mola de ajuste (6) no eixo da roda traseira. Desloque a roda (5 – válvula para fora) com a pequena anilha (4 – apenas nas rodas traseiras) e a grande anilha (3) nos eixos das rodas.



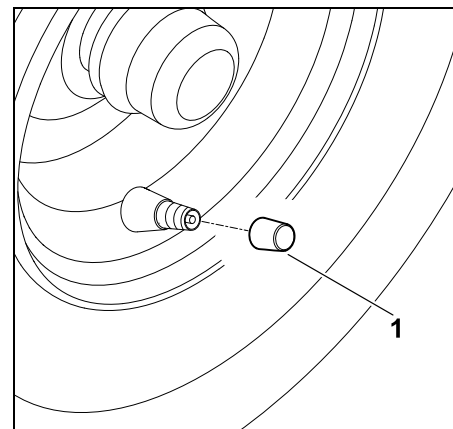
Permita que o anel de aperto (2) engate na perfuração do eixo da roda. Encaixe a tampa (1) no eixo da roda.

## 15.16 Pressão dos pneus



A correta pressão dos pneus é uma condição fundamental para o alinhamento do mecanismo de corte e, por conseguinte, para uma imagem de corte perfeita.

Para além disso, no caso de uma pressão dos pneus demasiado elevada, a relva é danificada pelos pneus.



Desenrosque a tampa da válvula (1). Com o auxílio de uma bomba de ar adequada com manómetro, ajuste as seguintes pressões dos pneus:

**Pneus dianteiros:** 0,8 – 1,0 bar

**Pneus traseiros:** 0,6 – 0,8 bar

## 15.17 Lubrificar

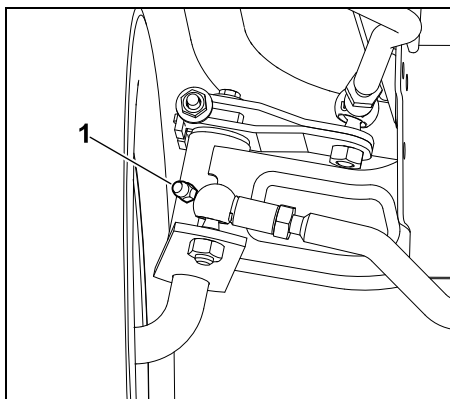
Lubrifique as duas mangas do eixo dianteiro através dos dois bocais de lubrificação no eixo dianteiro.

**Nota**

Antes do processo de lubrificação, é necessário aliviar o eixo dianteiro através do apoio correto. O bocal de lubrificação tem de ser limpo antes de cada processo de lubrificação, para que não entre sujidade na manga do eixo. A massa lubrificante que sai deverá ser sempre removida (limpa) após o processo de lubrificação. Utilize uma massa lubrificante convencional.

**Processo de lubrificação:**

- Desligue o motor de combustão. (⇒ 13.3)
- Retire a chave de ignição e guarde-a em lugar seguro.
- Acione o travão de estacionamento. (⇒ 8.14)
- Alivie (eleve) o eixo dianteiro através do apoio. (⇒ 15.15)



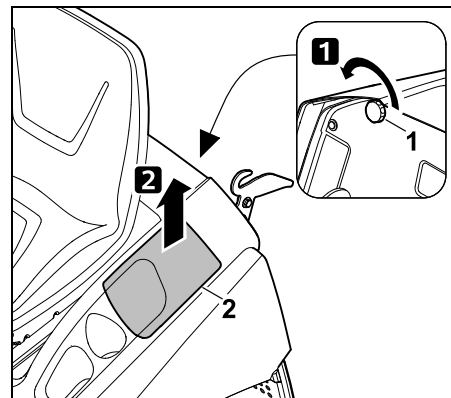
Com o auxílio de uma bomba de lubrificação (não incluída no fornecimento), injete massa lubrificante

em ambos os lados através dos bocais de lubrificação (1) até a massa sair facilmente pelas mangas do eixo.

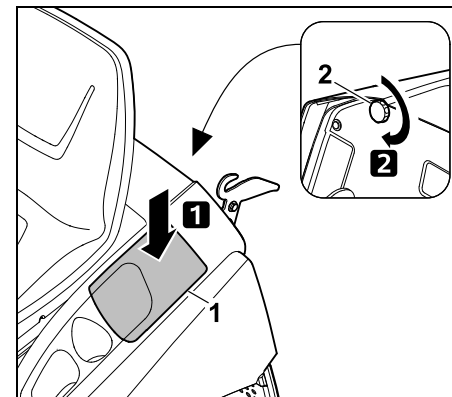
- Retire a massa lubrificante derramada.
- Retire o apoio do eixo dianteiro.

**15.18 Abrir e fechar o compartimento da bateria**

- Desligue o motor de combustão. (⇒ 13.3)
- Acione o travão de estacionamento. (⇒ 8.14)
- Retire a chave de ignição e guarde-a em lugar seguro.
- Remova a cesta de recolha de relva. (⇒ 13.10)

**Abrir o compartimento da bateria:**

Desenrosque a porca de fecho (1) e remova a tampa do compartimento da bateria (2) para a frente.

**Fechar o compartimento da bateria:**

Coloque a tampa do compartimento da bateria (1) conforme ilustrado e fixe com uma porca de fecho (2).

**15.19 Montar e desmontar a bateria****Perigo de ferimentos!**

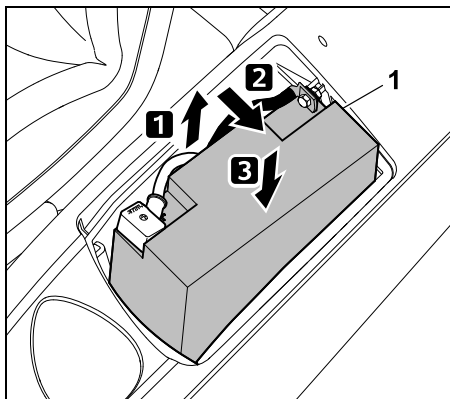
Separe sempre primeiro o cabo negativo preto (-) e, em seguida, o cabo positivo vermelho (+)! Ao ligar a bateria, ligue sempre em primeiro lugar o cabo positivo vermelho (+).



A bateria não necessita de manutenção e apenas deve ser substituída em caso de danos ou desmontada em caso de paragem mais prolongada (por exemplo, período de inverno) ou antes da eliminação do aparelho. Não deve eliminar a bateria no lixo doméstico, mas sim entregá-la ao distribuidor oficial ou eliminá-la no local de recolha dos materiais problemáticos.

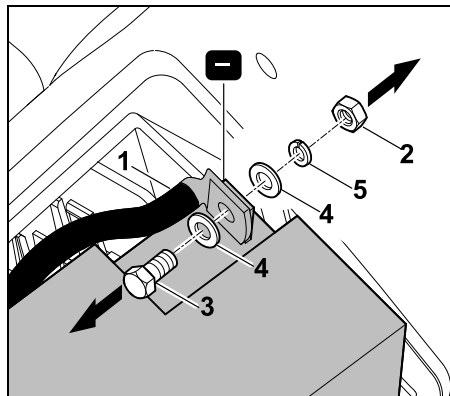
- Desligue o motor de combustão.  
(⇒ 13.3)
- Acione o travão de estacionamento.  
(⇒ 8.14)
- Retire a chave de ignição e guarde-a em lugar seguro.
- Abra o compartimento da bateria.  
(⇒ 15.18)

#### Posição de montagem:

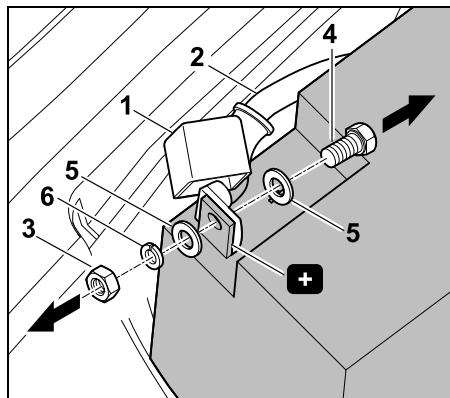


Puxe a bateria (1) para ligar ou desligar até meio do compartimento da bateria e incline para o lado. Em seguida, mova-a novamente para baixo e pouse-a – verifique se está posicionada de uma forma segura.

#### Desligar a bateria:



Desligue o cabo preto (1) do polo negativo (-) da bateria; para tal, desenrosque a porca (2) com a ajuda de duas chaves de bocas SW8 e retire juntamente com o parafuso (3), as anilhas (4) e a arruela de pressão (5).



Retire a tampa (1). Desligue o cabo vermelho (2) do polo positivo (+) da bateria; para tal, desenrosque a porca (3) com a ajuda de duas chaves de bocas SW8 e retire juntamente com o parafuso (4), as anilhas (5) e a arruela de pressão (6).

- Se necessário, retire a bateria.
- Enrosque novamente os parafusos, as anilhas e as porcas nos polos da bateria para os manter guardados.
- Se necessário, arrume corretamente os dois cabos de ligação no compartimento da bateria e feche-o.  
(⇒ 15.18)

#### Ligar a bateria:



Verifique o estado de carga antes da montagem.

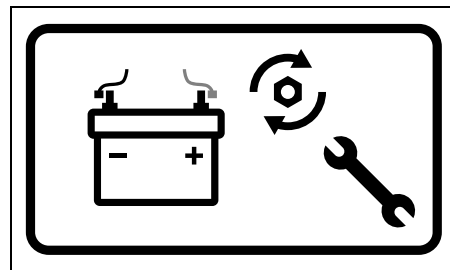
Se tiver uma tensão inferior a **11,5 V**, recarregue a bateria com um carregador de baterias adequado ainda antes da montagem.

- Coloque a bateria na posição de montagem.
- Se necessário, remova os parafusos, as anilhas e as porcas da bateria.

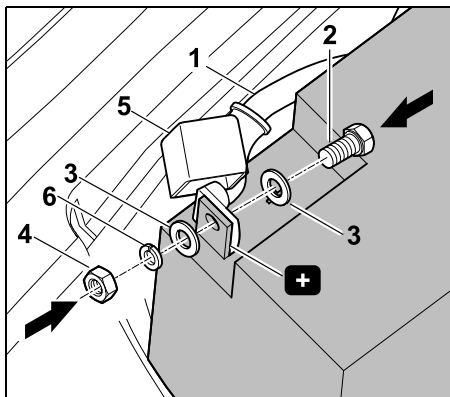


Perigo de incêndio!

Respeite escrupulosamente o binário de aperto indicado. Certifique-se de que as uniões roscadas nos polos ficam sempre bem apertadas, de modo a evitar danos devidos a faíscas.

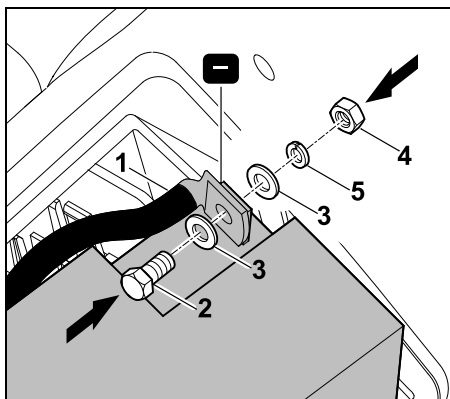






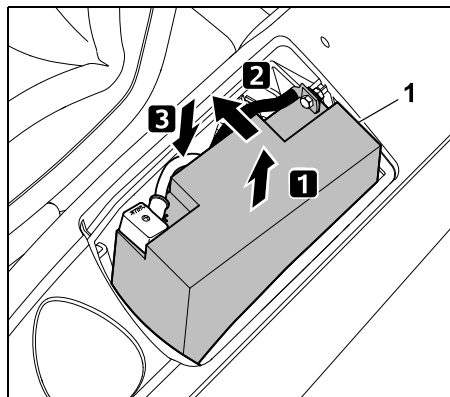
Fixe o cabo vermelho (1) no polo positivo (+) da bateria com o parafuso (2), as anilhas (3), a arruela de pressão (6) e a porca (4).

Aperte a união roscada com o auxílio de duas chaves de bocas SW8 com **6 - 8 Nm**. Passe a tampa (5) totalmente por cima da união roscada.



Fixe o cabo preto (1) no polo negativo (-) da bateria com o parafuso (2), as anilhas (3), a arruela de pressão (5) e a porca (4).

Aperte a união roscada com o auxílio de duas chaves de bocas SW8 com **6 - 8 Nm**.



Eleve a bateria (1) e incline ligeiramente para dentro. Coloque a bateria com cuidado e preste atenção para ambos os cabos de ligação ficarem corretamente inseridos no compartimento da bateria.

- Feche o compartimento da bateria. (⇒ 15.18)

## 15.20 Fusíveis



### Perigo de incêndio!

Os fusíveis nunca devem ser curto-circuitados com um arame ou uma película.

Nunca insira um fusível com uma capacidade de carga diferente da prescrita (Ampere).

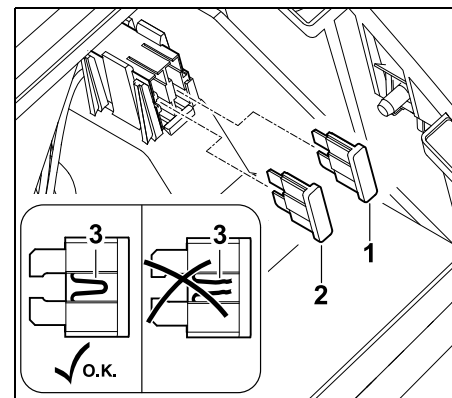


Se um novo fusível fundir no espaço de pouco tempo, a causa possível é uma avaria (por exemplo, curto-circuito). É aconselhável dirigir-se a um distribuidor oficial. A STIHL recomenda os distribuidores oficiais STIHL.

## Verificar os fusíveis de encaixe:

Os fusíveis de encaixe encontram-se no compartimento da bateria.

- Desligue o motor de combustão. (⇒ 13.3)
- Acione o travão de estacionamento. (⇒ 8.14)
- Retire a chave de ignição e guarde-a em lugar seguro.
- Abra o compartimento da bateria. (⇒ 15.18)



Retire os fusíveis de encaixe (1,2). Através de uma verificação visual, verifique se o arame que passa no plástico (3) está danificado (fundido). Substitua os fusíveis danificados.

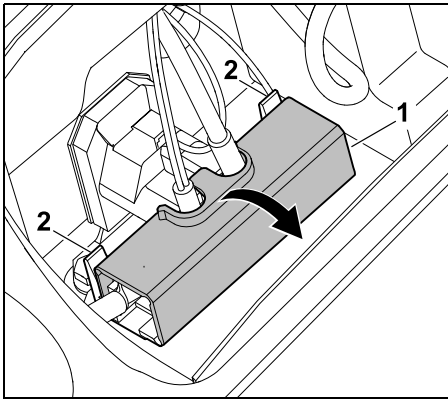
**Equipamento de carga (1): 15 A**  
**Sistema elétrico (2): 10 A**

- Feche o compartimento da bateria. (⇒ 15.18)

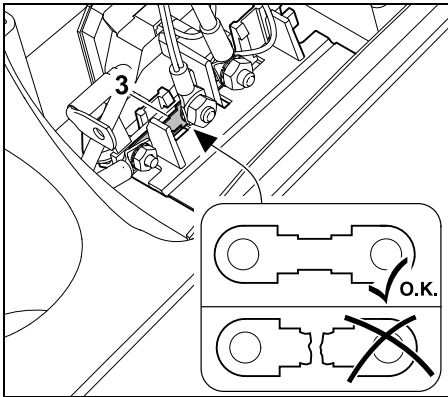
## Verificar o fusível principal:

O fusível principal (150 Amperes) encontra-se por trás da bateria.

- Desmonte a bateria. (⇒ 15.19)



Abra a cobertura (1); para tal, pressione as talas (2) ligeiramente para trás.



Através de uma verificação visual, verifique se o fusível (3) está danificado (fundido). Se necessário, solicite a substituição do fusível (3) junto de um distribuidor oficial. A STIHL recomenda os distribuidores oficiais STIHL.

- Feche novamente a cobertura.
- Monte a bateria. (⇒ 15.19)

### 15.21 Carregamento da bateria através da ficha de carga

O carregador de conservação de carga 010 ou o carregador de diagnóstico ADL 012 (ambos não incluídos no fornecimento) podem ser encaixados na ficha de carga.

Com o carregador de conservação de carga STIHL ACB 010, apenas pode ser efetuada uma carga de conservação. Com o carregador de diagnóstico ADL 012, é possível efetuar uma carga de conservação e uma carga total (carga de uma bateria vazia).



**Evite danos no aparelho!** Nunca carregar a bateria com o motor de combustão em funcionamento. Apenas podem ser encaixados o carregador de conservação de carga STIHL ACB 010 ou o carregador de diagnóstico STIHL ADL 012 na ficha de carga. Outros carregadores, nomeadamente carregadores com corrente de carga mais elevada, podem causar danos no aparelho.

Se a bateria for carregada com o auxílio de outros carregadores, será necessário desmontar previamente a bateria.

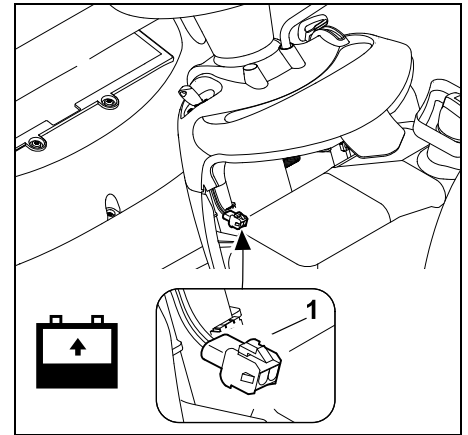
#### Antes de encaixar:

- Leia e respeite as indicações dos manuais de utilização dos carregadores STIHL.
- Leia e respeite as indicações da folha suplementar da bateria.

#### Encaixar:

- Desligue o motor de combustão. (⇒ 13.3)

- Acione o travão de estacionamento. (⇒ 8.14)
- Abra o capot. (⇒ 15.3)



Na ficha de carga (1), encaixe o carregador de conservação de carga STIHL ACB 010 ou o carregador de diagnóstico STIHL ADL 012.

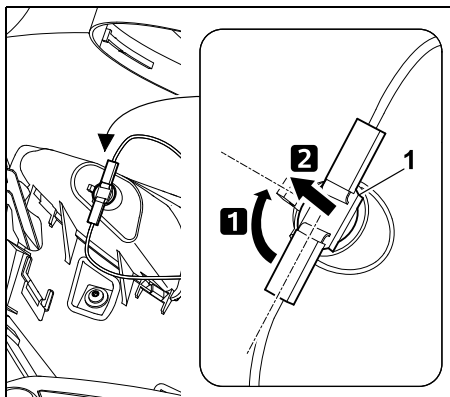
### 15.22 Substituir a lâmpada dos faróis



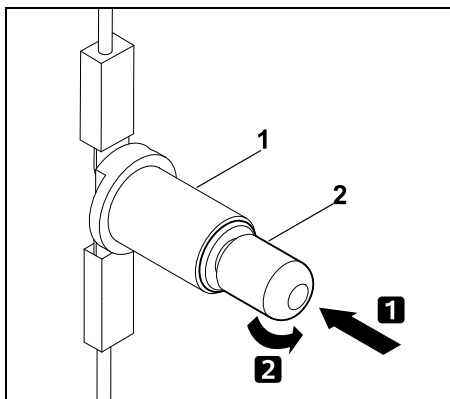
Ao substituir luzes defeituosas, utilize sempre lâmpadas de 12 V potência de 6 W.

**Designação da lâmpada:**  
12V 6W BA9s

- Abra o capot. (⇒ 15.3).

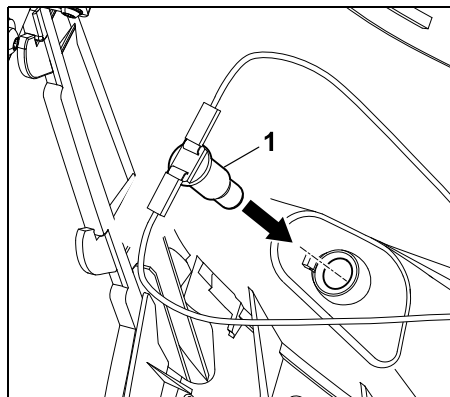


Rode o suporte (1) aproximadamente 90° e retire-o.



Prima a lâmpada (2) na direção do suporte (1) e mantenha-a premeida. Rode cuidadosamente a lâmpada (2) e retire-a.

- Insira uma lâmpada pela seqüência inversa.



Prima o suporte (1) na direção do cárter do farol.

- Feche o capot. (⇒ 15.4)

### 15.23 Motor de combustão

Siga as instruções de funcionamento e de manutenção, as quais poderão ser consultadas no manual de utilização do motor de combustão.

Um nível de óleo suficiente, a mudança regular de óleo do motor e do filtro de ar são sempre especialmente importantes para uma longa vida útil.

### 15.24 Transmissão

A transmissão não precisa de manutenção por parte do utilizador.

Durante as inspeções do aparelho efetuadas pelo distribuidor oficial, são realizados trabalhos de manutenção necessários na transmissão.

### 15.25 Arrumação

- Armazene o aparelho num compartimento fresco e seco fora do alcance de crianças e pessoas não autorizadas.
- Eventuais falhas no aparelho devem ser sempre reparadas antes da sua arrumação, para que se encontre sempre num estado funcional e seguro.
- Feche a torneira do combustível. (⇒ 15.7)
- Retire a chave de ignição e guarde-a de modo que nenhuma pessoa não autorizada, nomeadamente crianças, tenha acesso.

### 15.26 Imobilização no caso de paragens mais longas (por exemplo, período de inverno)

- Limpe completamente todo o aparelho. Em especial, limpe cuidadosamente todas as peças exteriores do motor de combustão e da transmissão (especialmente as alhetas de refrigeração).
- Lubrifique generosamente todas as peças móveis com óleo ou massa lubrificante.
- Deixe sair o combustível do depósito de combustível e esvazie o carburador (por exemplo, deixando trabalhar até esvaziar).
- Acione o travão de estacionamento. (⇒ 8.14)
- Observe as indicações sobre a imobilização no manual de utilização do motor de combustão.

- Efetue a mudança de óleo do motor (manual de utilização do motor de combustão). (⇒ 15.9)
- Desmonte a bateria. (⇒ 15.19)
- Armazene a bateria totalmente carregada num compartimento fresco e seco fora do alcance das crianças.

### 15.27 Após pausas mais longas (p. ex., período de inverno)

- Verifique a tensão da bateria antes da montagem. Se a tensão da bateria for inferior a **11,5 V**, recarregue a bateria com um carregador de baterias ainda antes da montagem. (⇒ 15.21)
- Monte a bateria. (⇒ 15.19)
- Verifique a pressão dos pneus. (⇒ 15.16)
- Abra a torneira do combustível. (⇒ 15.7)
- Encha com combustível. (⇒ 13.1)
- Verifique o nível de enchimento do óleo do motor. (⇒ 15.8)

## 16. Transporte



### Perigo de ferimentos!

Antes do transporte, leia e observe cuidadosamente o capítulo "Para sua segurança", especialmente o subcapítulo "Transporte do trator corta-relva". (⇒ 4.1), (⇒ 4.3)

As rampas de carga devem ser percorridas devagar e com cuidado, verificando se as rodas não se encontram lateralmente sobre a rampa – **Risco de queda!** Não efetue alterações abruptas de velocidade ou de sentido.



Em vias de circulação públicas, o aparelho apenas deve ser transportado com o auxílio de um veículo adequado ou de um reboque! **Não reboque!**

- Antes do carregamento, selecione o nível de corte mais elevado. (⇒ 13.6)
- Apoie o reboque na parte dianteira para que não capote devido ao peso do aparelho.
- Para carregar, utilize um dispositivo de elevação adequado ou rampas de carga apropriadas e estáveis com largura suficiente.
- Posicione e fixe as rampas de carga de forma segura – observe a distância entre rodas do trator corta-relva. (⇒ 22.1)
- Garanta uma distribuição uniforme da carga no reboque.
- Após a carga, selecione o nível de corte mais reduzido. (⇒ 13.6)
- Desligue o motor de combustão. (⇒ 13.3)

- Desloque o aparelho totalmente para a frente até o para-choques tocar no taipal do reboque ou do veículo.
- Acione o travão de estacionamento. (⇒ 8.14)
- Feche a torneira do combustível. (⇒ 15.7)
- Tensione e fixe o aparelho com o auxílio de meios de fixação adequados (cintas, cabos, etc.) no para-choques dianteiro contra o taipal do reboque ou do veículo.
- Coloque adicionalmente calços (não incluídos no âmbito de fornecimento) nas rodas, de modo a impedir um deslocamento involuntário.

## 17. Peças de reposição comuns

Parafuso da lâmina:  
9010 345 2430

Arruela de pressão:  
0000 702 6600

**RT 5097:**  
Lâmina de corte direita:  
6160 702 0115  
Lâmina de corte esquerda:  
6160 702 0110

**RT 5097 Z:**  
Lâmina de corte direita:  
6160 702 0105  
Lâmina de corte esquerda:  
6160 702 0100

**RT 5112 Z, RT 6112 ZL:**  
Lâmina de corte direita:  
6170 702 0135  
Lâmina de corte esquerda:  
6170 702 0130

## RT 6127 ZL:

Lâmina de corte direita:

6170 702 0145

Lâmina de corte esquerda:

6170 702 0140



Substitua a arruela de pressão em todas as montagens das lâminas e o parafuso da lâmina em todas as substituições de lâminas. As peças de reposição podem ser obtidas junto do distribuidor oficial STIHL.

## 18. Acessórios

Estão disponíveis mais acessórios para o aparelho.

Poderá encontrar informações mais pormenorizadas junto do seu distribuidor oficial STIHL, na Internet ([www.stihl.com](http://www.stihl.com)) ou no catálogo da STIHL.



Por motivos de segurança, só podem ser utilizados acessórios autorizados pela STIHL com o aparelho.

## 19. Proteção do meio ambiente

As aparas de relva não devem ser colocadas no lixo, mas sim utilizadas para a compostagem. As embalagens, o aparelho e seus acessórios são fabricados a partir de materiais recicláveis e deverão ser eliminados como tal.



A eliminação de resíduos de materiais de forma separada e adequada à conservação do meio ambiente promove as possibilidades de reutilização das matérias reaproveitáveis. Por essa razão, depois de terminar o tempo normal de vida útil do aparelho, este deve ser entregue

para reciclagem. A eliminação inadequada pode ser nociva para a saúde e poluir o ambiente.

Remova os resíduos como, por exemplo, o óleo antigo (óleo do motor, óleo da transmissão), o combustível e as baterias, sempre de forma adequada. Observe as normas locais!  
Desmonte a bateria antes de eliminar o aparelho.

Não deve eliminar a bateria no lixo doméstico, mas sim entregá-la ao distribuidor oficial ou eliminá-la no local de recolha dos materiais problemáticos.

Dirija-se ao seu centro de reciclagem ou ao seu distribuidor oficial para saber como os resíduos devem ser eliminados adequadamente.

A STIHL recomenda os distribuidores oficiais STIHL.

## 20. Minimização do desgaste e prevenção de danos

**Indicações importantes sobre a manutenção e cuidados do grupo de produtos**

**Cortador de relva com assento do condutor e motor de combustão (STIHL RT)**

A empresa STIHL exclui-se de toda e qualquer responsabilidade por danos materiais e pessoais causados pelo incumprimento das indicações deste manual de instruções, em especial no tocante à segurança, operação e manutenção, ou danos que ocorram em consequência da utilização de peças de acoplamento e peças de substituição não permitidas.

Siga imprescindivelmente as seguintes indicações importantes, a fim de evitar danos ou um desgaste excessivo do seu aparelho STIHL:

### 1. Peças de desgaste

Algumas peças do aparelho STIHL estão sujeitas a um desgaste normal, mesmo quando utilizadas devidamente e, dependendo do tipo e da duração da utilização, necessitam de ser substituídas oportunamente.

Entre outras, incluem-se as seguintes peças:

- Lâmina de corte
- Cesta de recolha de relva
- Correia trapezoidal
- Correia dentada
- Fusíveis de encaixe
- Bateria
- Pneus, rolos
- Vela de ignição

### 2. Cumprimento das prescrições deste manual de utilização

A utilização, manutenção e armazenagem do aparelho STIHL devem ser realizadas tão cuidadosamente conforme descrito neste manual de utilização. Todos os danos causados pelo incumprimento das instruções de segurança, de funcionamento e de manutenção são da responsabilidade exclusiva do utilizador.

Isto aplica-se especialmente no caso de:

- Utilização do produto não de acordo com as disposições.

- Utilização de produtos de serviço não aprovados pela STIHL (lubrificante, gasolina e óleo do motor, consulte as indicações do fabricante do motor de combustão).
- Alterações no produto não autorizadas pela STIHL.
- Utilização de ferramentas ou de acessórios não permitidos nem adequados para o aparelho, bem como ferramentas e acessórios de qualidade inferior.
- Utilização do aparelho em eventos desportivos ou concursos.
- Danos resultantes da utilização contínua do produto com peças defeituosas.

### 3. Trabalhos de manutenção

Todos os trabalhos mencionados no capítulo "Manutenção" têm de ser realizados regularmente.

Na medida em que estes trabalhos de manutenção não possam ser realizados pelo próprio utilizador, um distribuidor oficial dever-se-á encarregar da realização dos mesmos.

A STIHL recomenda a realização de trabalhos de manutenção e reparações apenas por um distribuidor oficial STIHL.

Os distribuidores oficiais STIHL beneficiam de ações de formação regulares e dispõem de informações técnicas.

Se estes trabalhos não forem realizados, poderão ocorrer danos, cuja responsabilidade caberá ao utilizador.

Entre estes, incluem-se:

- Danos por corrosão e outros danos em consequência de um armazenamento indevido.
- Danos no aparelho causados pela utilização de peças de reposição de má qualidade.
- Danos causados por uma manutenção não atempada ou insuficiente ou danos causados por trabalhos de manutenção ou de reparação que não tenham sido realizados nas oficinas de distribuidores oficiais.

## 21. Declaração de conformidade

### 21.1 Declaração de conformidade UE do trator corta-relva STIHL RT 5097.1, RT 5097.1 Z, RT 5112.1 Z, RT 6112.1 ZL, RT 6127.1 ZL

STIHL Tirol GmbH  
Hans Peter Stihl-Straße 5  
6336 Langkampfen  
Áustria

declara sob a sua exclusiva responsabilidade que

- Modelo: Trator corta-relva
- Marca: STIHL
- Tipo: RT 5097.1, RT 5097.1 Z, RT 5112.1 Z, RT 6112.1 ZL, RT 6127.1 ZL
- Largura de corte RT 5097.1, RT 5097.1 Z: 95 cm
- Largura de corte RT 5112.1 Z, RT 6112.1 ZL: 110 cm
- Largura de corte RT 6127.1 ZL: 125 cm

- Identificação de série:  
**RT 5097.1, RT 5097.1 Z, RT 5112.1 Z:**  
6160  
**RT 6112.1 ZL, RT 6127.1 ZL:** 6170

satisfaz as disposições aplicáveis das diretivas 2000/14/EC, 2006/42/EC, 2014/30/EU e 2011/65/EU e foi desenvolvido e produzido em conformidade com as versões válidas à data da produção das seguintes normas: EN ISO 14982, EN ISO 5395-1 e EN ISO 5395-3.

Entidade nomeada envolvida:  
TÜV Rheinland LGA Products GmbH  
Tillystraße 2  
90431 Nürnberg, Alemanha

Para determinar o nível de potência acústica medido e garantido, foram respeitados os termos da diretiva 2000/14/EC, anexo VIII.

#### RT 5097.1, RT 5097.1 Z

- Nível de potência acústica medido:  
99,7 dB(A)
- Nível de potência acústica garantido:  
100 dB(A)

#### RT 5112.1 Z, RT 6112.1 ZL

- Nível de potência acústica medido:  
99,8 dB(A)
- Nível de potência acústica garantido:  
100 dB(A)

#### RT 6127.1 ZL

- Nível de potência acústica medido:  
104,5 dB(A)
- Nível de potência acústica garantido:  
105 dB(A)

A documentação técnica está guardada junto da STIHL Tirol GmbH.

O ano de fabrico e o número de máquina encontram-se indicados no trator cortavelva.

Langkampfen, 02.06.2021

STIHL Tirol GmbH

p. p.

Matthias Fleischer, responsável pela área de Pesquisa e Desenvolvimento

p. p.

Sven Zimmermann, responsável pela área da Qualidade

## 22. Dados técnicos

**RT 5097.1, RT 5097.1 Z, RT 5112.1 Z, RT 6112.1 ZL, RT 6127.1 ZL:**

Motor, modelo	Motor de combustão a 4 tempos
Depósito de combustível	9 l

**RT 5097.1, RT 5097.1 Z, RT 5112.1 Z, RT 6112.1 ZL, RT 6127.1 ZL:**

Dispositivo de arranque	Arranque eléctrico com chave de ignição
Tipo de bateria	Ácido de chumbo
– Tensão nominal	12 V
Dispositivo de corte	2 barras porta-lâminas
Binário de aperto dos parafusos da lâmina	65 - 70 Nm
Tração nas rodas traseiras	marcha de avanço/marcha atrás progressivas

**RT 5097.1:**

Identificação de série	6160
Tipo de motor	EVC 4000
Cilindrada	452 cm <sup>3</sup>
Potência nominal à rotação nominal	8,2 - 2700 kW - rpm
Rotação de saída	2700 rpm
Largura de corte	95 cm
Acionamento da barra porta-lâminas	assíncrono
Altura de corte	8 níveis 30 - 100 mm

Rodas dianteiras, pressão de ar	15x6.00-6, 0,8 - 1,0 bar
Rodas traseiras, pressão de ar	18x8.50-8, 0,6 - 0,8 bar
Volume da cesta de recolha de relva	250 l
Peso com mecanismo de corte e cesta de recolha de relva vazia	228 kg

**RT 5097.1:**

Medição de acordo com a 2000/14/EC/S.I. 2001/1701:	
Nível de potência acústica garantido	
$L_{WA}$	100 dB(A)
Incerteza $K_{WA}$	0,7 dB(A)
Medição de acordo com a EN ISO 5395-3:	
Nível de pressão acústica no local de trabalho $L_{pA}$	86 dB(A)
Incerteza $K_{pA}$	2 dB(A)
Medição de acordo com a EN ISO 5395-3, EN 1032:	
Vibrações no assento (aceleração de corpo inteiro) $a_w$	0,98 m/s <sup>2</sup>
Incerteza $K_w$	0,49 m/s <sup>2</sup>
Medição de acordo com a EN ISO 5395-3, EN 20643:	
Vibrações no volante $a_{hw}$	2,60 m/s <sup>2</sup>
Incerteza $K_{hw}$	1,30 m/s <sup>2</sup>
Valores característicos de vibração especificado de acordo com a EN 12096	

**RT 5097.1 Z:**

Identificação de série	6160
Tipo de motor	EVC 7000
Cilindrada	635 cm <sup>3</sup>
Potência nominal à rotação nominal	8,2 - 2700 kW - rpm
Rotação de saída	2700 rpm
Largura de corte	95 cm
Acionamento da barra porta-lâminas	assíncrono
Altura de corte	8 níveis 30 - 100 mm

**RT 5097.1 Z:**

Rodas dianteiras, pressão de ar	15x6.00-6, 0,8 - 1,0 bar
Rodas traseiras, pressão de ar	18x8.50-8, 0,6 - 0,8 bar
Volume da cesta de recolha de relva	250 l
Peso com mecanismo de corte e cesta de recolha de relva vazia	237 kg
Medição de acordo com a 2000/14/EC/S.I. 2001/1701:	
Nível de potência acústica garantido	
$L_{WA}$	100 dB(A)
Incerteza $K_{WA}$	0,7 dB(A)
Medição de acordo com a EN ISO 5395-3:	
Nível de pressão acústica no local de trabalho $L_{pA}$	86 dB(A)
Incerteza $K_{pA}$	2 dB(A)
Medição de acordo com a EN ISO 5395-3, EN 1032:	
Vibrações no assento (aceleração de corpo inteiro) $a_w$	0,98 m/s <sup>2</sup>
Incerteza $K_w$	0,49 m/s <sup>2</sup>
Medição de acordo com a EN ISO 5395-3, EN 20643:	
Vibrações no volante $a_{hw}$	2,20 m/s <sup>2</sup>
Incerteza $K_{hw}$	1,10 m/s <sup>2</sup>
Valores caraterísticos de vibração especificado de acordo com a EN 12096	

**RT 5112.1 Z:**

Identificação de série	6160
Tipo de motor	EVC 7000

**RT 5112.1 Z:**

Cilindrada	635 cm <sup>3</sup>
Potência nominal à rotação nominal	12,2 - 2700 kW - rpm
Rotação de saída	2700 rpm
Largura de corte	110 cm
Acionamento da barra porta-lâminas	síncrono
Altura de corte	8 níveis 30 - 100 mm
Rodas dianteiras, pressão de ar	15x6.00-6, 0,8 - 1,0 bar
Rodas traseiras, pressão de ar	18x8.50-8, 0,6 - 0,8 bar
Volume da cesta de recolha de relva	350 l
Peso com mecanismo de corte e cesta de recolha de relva vazia	258 kg
Medição de acordo com a 2000/14/EC/S.I. 2001/1701:	
Nível de potência acústica garantido	
$L_{WA}$	100 dB(A)
Incerteza $K_{WA}$	0,6 dB(A)
Medição de acordo com a EN ISO 5395-3:	
Nível de pressão acústica no local de trabalho $L_{pA}$	86 dB(A)
Incerteza $K_{pA}$	2 dB(A)
Medição de acordo com a EN ISO 5395-3, EN 1032:	
Vibrações no assento (aceleração de corpo inteiro) $a_w$	0,98 m/s <sup>2</sup>
Incerteza $K_w$	0,49 m/s <sup>2</sup>
Medição de acordo com a EN ISO 5395-3, EN 20643:	

**RT 5112.1 Z:**

Vibrações no volante $a_{hw}$	4,40 m/s <sup>2</sup>
Incerteza $K_{hw}$	2,20 m/s <sup>2</sup>
Valores caraterísticos de vibração especificado de acordo com a EN 12096	

**RT 6112.1 ZL:**

Identificação de série	6170
Tipo de motor	EVC 7000
Cilindrada	635 cm <sup>3</sup>
Potência nominal à rotação nominal	12,2 -2700 kW - rpm
Rotação de saída	2700 rpm
Largura de corte	110 cm
Acionamento da barra porta-lâminas	síncrono
Altura de corte	8 níveis 30 - 110 mm
Rodas dianteiras, pressão de ar	16x7.50-8, 0,8 - 1,0 bar
Rodas traseiras, pressão de ar	20x10.00-8, 0,6 - 0,8 bar
Volume da cesta de recolha de relva	350 l
Peso com mecanismo de corte e cesta de recolha de relva vazia	268 kg
Medição de acordo com a 2000/14/EC/S.I. 2001/1701:	
Nível de potência acústica garantido	
$L_{WA}$	100 dB(A)
Incerteza $K_{WA}$	0,6 dB(A)
Medição de acordo com a EN ISO 5395-3:	
Nível de pressão acústica no local de trabalho $L_{pA}$	86 dB(A)



**RT 6112.1 ZL:**

Incerteza $K_{pA}$	2,0 dB(A)
Medição de acordo com a EN ISO 5395-3, EN 1032:	
Vibrações no assento (aceleração de corpo inteiro) $a_w$	0,5 m/s <sup>2</sup>
Incerteza $K_w$	0,25 m/s <sup>2</sup>
Medição de acordo com a EN ISO 5395-3, EN 20643:	
Vibrações no volante $a_{hw}$	4,40 m/s <sup>2</sup>
Incerteza $K_{hw}$	2,20 m/s <sup>2</sup>
Valores característicos de vibração especificado de acordo com a EN 12096	

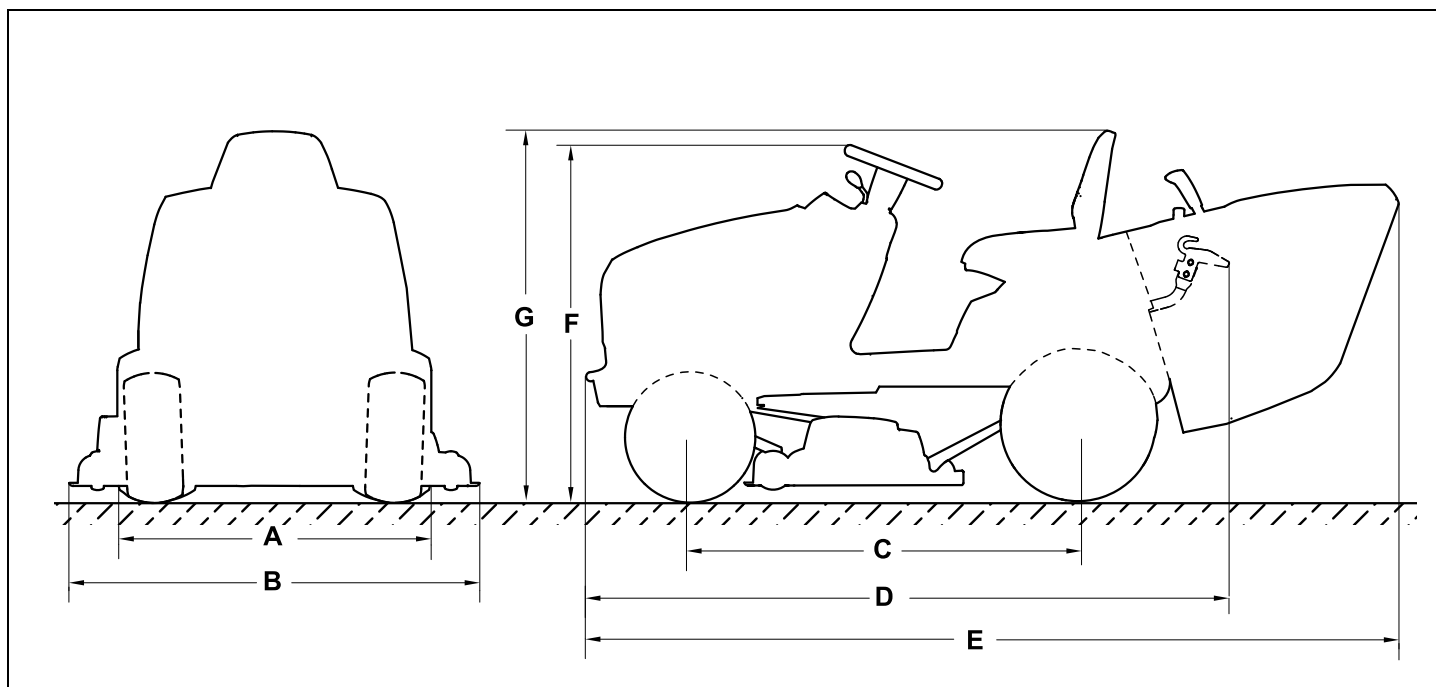
**RT 6127.1 ZL:**

Identificação de série	6170
Tipo de motor	EVC 8000
Cilindrada	764 cm <sup>3</sup>
Potência nominal à rotação nominal	15,6 - 2950 kW - rpm
Rotação de saída	2950 rpm
Largura de corte	125 cm
Acionamento da barra porta-lâminas	síncrono
Altura de corte	8 níveis 30 - 110 mm
Rodas dianteiras, pressão de ar	16x7.50-8, 0,8 - 1,0 bar
Rodas traseiras, pressão de ar	20x10.00-8, 0,6 - 0,8 bar
Volume da cesta de recolha de relva	350 l
Peso com mecanismo de corte e cesta de recolha de relva vazia	281 kg
Medição de acordo com a 2000/14/EC/S.I. 2001/1701:	

**RT 6127.1 ZL:**

Nível de potência acústica garantido	
$L_{WA}$	105 dB(A)
Incerteza $K_{WA}$	0,9 dB(A)
Medição de acordo com a EN ISO 5395-3:	
Nível de pressão acústica no local de trabalho $L_{pA}$	90 dB(A)
Incerteza $K_{pA}$	2,0 dB(A)
Medição de acordo com a EN ISO 5395-3, EN 1032:	
Vibrações no assento (aceleração de corpo inteiro) $a_w$	0,5 m/s <sup>2</sup>
Incerteza $K_w$	0,25 m/s <sup>2</sup>
Medição de acordo com a EN ISO 5395-3, EN 20643:	
Vibrações no volante $a_{hw}$	4,40 m/s <sup>2</sup>
Incerteza $K_{hw}$	2,20 m/s <sup>2</sup>
Valores característicos de vibração especificado de acordo com a EN 12096	

## 22.1 Dimensões



RT 5097.1, RT 5097.1 Z, RT 5112.1 Z:  
**A**=96,8 cm

RT 6112.1 ZL, RT 6127.1 ZL:  
**A**=98,7 cm

RT 5097.1, RT 5097.1 Z:  
**B**=100,6 cm

RT 5112.1 Z, RT 6112.1 ZL:  
**B**=116,9 cm

RT 6127.1 ZL:  
**B**=131,8 cm

**C**=125 cm

**D**=206 cm

RT 5097.1, RT 5097.1 Z:  
**E**=241,6 cm

RT 5112.1 Z, RT 6112.1 ZL, RT 6127.1 ZL:  
**E**=260,3 cm

RT 5097.1, RT 5097.1 Z, RT 5112.1 Z:  
**F**=111 cm

RT 6112.1 ZL, RT 6127.1 ZL:  
**F**=113 cm

RT 5097.1, RT 5097.1 Z, RT 5112.1 Z:  
**G**=115 cm

RT 6112.1 ZL, RT 6127.1 ZL:  
**G**=117 cm

## 22.2 REACH

REACH designa um regulamento da CE sobre registo, avaliação e licença de químicos.

As informações para o cumprimento do Regulamento da REACH (CE) n.º 1907/2006 estão especificadas em [www.stihl.com/reach](http://www.stihl.com/reach).

## 23. Localização de falhas

✳ Se necessário, dirija-se a um distribuidor oficial, a STIHL recomenda os distribuidores oficiais STIHL.

📖 Consulte o Manual de utilização do motor de combustão.

### Avaria:

O motor de arranque roda, o motor de combustão não arranca.

### Possível causa:

- A alavanca do acelerador está na posição MIN.
- A posição "choke" (alavanca do acelerador) não está selecionada ou o botão choke não foi acionado
- O depósito não tem combustível.
- Torneira do combustível fechada.
- Admissão deficiente de combustível.
- A vela de ignição tem fuligem ou está danificada.
- Distância incorreta dos elétrodos.
- Conector da vela de ignição removido da vela de ignição.
- O motor de combustão está "encharcado" devido às várias tentativas de o pôr a trabalhar.
- O filtro de ar está entupido.
- Bateria quase vazia.

### Solução:

- Coloque a alavanca do acelerador na posição MAX.
- Coloque a alavanca do acelerador na posição "choke" (⇒ 8.2) ou acione o botão choke. (⇒ 8.4)
- Reabasteça com combustível.
- Abra a torneira do combustível. (⇒ 15.7)
- Verifique o filtro de combustível. (📖)

- Limpe ou substitua a vela de ignição. (📖)
- Ajuste a distância dos elétrodos. (✳)
- Encaixe o conector da vela de ignição; verifique a ligação entre o cabo de ignição e a ficha. (✳)
- Desaperte e seque a vela de ignição; coloque a alavanca do acelerador na posição MIN e, com a vela de ignição removida, ligue várias vezes; enrosque a vela de ignição e encaixe o conector da vela de ignição. (📖)
- Limpe o filtro de ar. (📖)
- Verifique o estado de carga da bateria e, se necessário, carregue a bateria. (⇒ 15.21)

### Avaria:

O motor de arranque não funciona.

### Possível causa:

- Os dispositivos de segurança estão a bloquear o motor de arranque.
- A bateria não está ligada ou está incorretamente ligada.
- Bateria completamente descarregada ou insuficientemente carregada.
- Fusível principal (150 A) avariado.
- Ligação à massa avariada no motor de combustão ou chassis.
- Motor de arranque avariado.

### Solução:

- Observe todos os dispositivos de segurança. (⇒ 12.)
- Verifique as ligações da bateria. (⇒ 15.19)
- Carregue a bateria. (⇒ 15.21)
- Substitua o fusível principal. (✳)
- Verifique os cabos de ligação na bateria e no chassis. (✳)
- Repare o motor de arranque. (✳)

### Avaria:

Dificuldades ao arrancar ou a potência do motor de combustão diminui.

### Possível causa:

- Há água no depósito de combustível e no carburador; o carburador está entupido.
- O depósito do combustível está sujo.
- O filtro de ar está sujo.
- A vela de ignição tem fuligem.
- Corte de relva demasiado alta ou húmida.

### Solução:

- Esvazie o depósito de combustível; limpe o depósito de combustível, a conduta de combustível e o carburador. (✳)
- Limpe o depósito de combustível. (✳)
- Limpe/substitua o filtro de ar. (📖)
- Limpe a vela de ignição. (📖)
- Adapte a altura de corte e a velocidade de marcha às condições de corte.

### Avaria:

O motor de combustão fica muito quente.

### Possível causa:

- As alhetas de refrigeração estão sujas.
- Nível de óleo do motor demasiado baixo.
- Correia trapezoidal gasta.

### Solução:

- Limpe as alhetas de refrigeração. (📖)
- Verifique o nível de enchimento do óleo do motor e, se necessário, reabasteça. (⇒ 15.8)
- Substitua a correia trapezoidal. (✳)

---

**Avaria:**

O aparelho não se desloca.

**Possível causa:**

- Transmissão desacoplada.
- Correia trapezoidal (transmissão) desgastada.
- Correia trapezoidal (transmissão) gasta ou danificada.
- Mola de ajuste em falta entre o eixo traseiro e as rodas traseiras.

**Solução:**

- Acople a transmissão (arco do funcionamento livre da transmissão). (⇒ 8.18)
- Engate a correia trapezoidal (transmissão). (✘)
- Substitua a correia trapezoidal (transmissão). (✘)
- Monte a mola de ajuste. (⇒ 15.15)

---

**Avaria:**

Fortes vibrações durante o funcionamento.

**Possível causa:**

- As lâminas de corte estão desequilibradas devido a uma afiação incorreta ou danos.
- Os parafusos das lâminas não estão bem apertados.
- A fixação do motor de combustão não está bem apertada.
- Correia trapezoidal ou correia dentada danificada.

**Solução:**

- Afie novamente a lâmina de corte e equilibre-a ou substitua-a. (⇒ 15.13)
- Aperte os parafusos da lâmina tomando em consideração o binário de aperto. (⇒ 15.13)
- Aperte a fixação do motor de combustão. (✘)

- 
- Substitua a correia trapezoidal ou a correia dentada. (✘)

---

**Avaria:**

Corte de má qualidade, a relva fica amarela depois do processo de corte.

**Possível causa:**

- A lâmina de corte está embotada ou gasta.
- A velocidade de marcha é demasiado elevada em relação às condições de corte (altura de corte, propriedades da relva).
- Não está definida a rotação máxima do motor (a alavanca do acelerador não está na posição MAX).
- O ajuste do mecanismo de corte não está em condições.
- O canal de expulsão está entupido.
- O mecanismo de corte está sujo com restos de relva (colando-se à parte interior do cárter do mecanismo de corte).

**Solução:**

- Afie ou substitua a lâmina de corte (observando os limite de desgaste). (⇒ 15.13)
- Reduza a velocidade de marcha ou selecione uma altura de corte mais elevada.
- Coloque a alavanca do acelerador na posição MAX. (⇒ 8.2), (⇒ 8.3)
- Verifique o ajuste do mecanismo de corte e, se necessário, ajuste o mecanismo de corte. (⇒ 15.14)
- Remova a cesta de recolha de relva e liberte o canal de expulsão dos restos de relva.
- Limpe a parte interior do mecanismo de corte.

---

**Avaria:**

O canal de expulsão está entupido.

**Possível causa:**

- Pás da lâmina de corte gastas ou danificadas.
- Corte de relva demasiado alta ou húmida.
- A velocidade de marcha é demasiado elevada em relação à altura de corte definida.
- Não está definida a rotação máxima do motor (a alavanca do acelerador não está na posição MAX).
- Sensor do nível de enchimento incorretamente ajustado.

**Solução:**

- Substitua as lâminas de corte. (⇒ 15.13)
- Corte a relva em dois processos de corte: 1. Processo de corte com o nível de corte mais elevado, 2. Processo de corte com a altura de corte pretendida.
- Reduza a velocidade de marcha ou selecione uma altura de corte mais elevada.
- Coloque a alavanca do acelerador na posição MAX. (⇒ 8.2), (⇒ 8.3)
- Ajuste o sensor do nível de enchimento (puxando a corrediça totalmente para fora). (⇒ 8.19)

---

**Avaria:**

A cesta de recolha de relva não se enche por completo.

**Possível causa:**

- Sensor do nível de enchimento incorretamente ajustado.
- A altura de corte selecionada é demasiado baixa.

- A relva está demasiado húmida e, como tal, é demasiado pesada para ser transportada pela corrente de ar em direção à cesta de recolha de relva através do canal de expulsão.
- As lâminas de corte estão embotadas ou gastas.
- A relva está demasiado alta.
- Furos de ar da cesta de recolha de relva obstruídos (não existe passagem de ar na cesta de recolha de relva).
- Canal de expulsão ou mecanismo de corte sujo (parte interior) devido a restos de relva (do último processo de corte).

**Solução:**

- Ajuste o sensor do nível de enchimento. (⇒ 8.19)
- Seleccione uma altura de corte mais elevada.
- Aguarde até o relvado ficar seco.
- Afie ou substitua as lâminas de corte. (⇒ 15.13)
- Corte a relva em dois processos de corte: 1. Processo de corte com o nível de corte mais elevado, 2. Processo de corte com a altura de corte pretendida.
- Limpe a cesta de recolha de relva (limpando as passagens de ar).
- Limpe o canal de expulsão ou a parte interior do mecanismo de corte.

**Avaria:**

O sensor do nível de enchimento (cesta de recolha de relva) não atua corretamente.

**Possível causa:**

- O sensor do nível de enchimento (cesta de recolha de relva) está sujo.
- Sensor do nível de enchimento (cesta de recolha de relva) incorretamente ajustado.

- Velocidade de marcha demasiado elevada.

**Solução:**

- Limpe o sensor do nível de enchimento e verifique o seu correto funcionamento.
- Ajuste o sensor do nível de enchimento (cesta de recolha de relva). (⇒ 8.19)
- Adapte a velocidade de marcha às condições de corte (reduzindo a velocidade de marcha).

**Avaria:**

As lâminas de corte não se ligam ou não rodam.

**Possível causa:**

- Os dispositivos de segurança impedem uma ligação das lâminas de corte.
- Correia trapezoidal (mecanismo de corte) gasta, desgastada ou danificada.

**Solução:**

- Verifique se todos os pressupostos de segurança para a ligação das lâminas de corte são cumpridos. (⇒ 12.)
- Verifique a correia trapezoidal (mecanismo de corte) e substitua-a, se necessário. (✖)

**Avaria:**

O motor de combustão vai abaixo ao ativar o mecanismo de corte.

**Possível causa:**

- O utilizador não está sentado ou está incorretamente sentado no assento do condutor.
- Interruptor da cesta de recolha de relva ou interruptor do canal de expulsão não acionado ou avariado.

- O interruptor de contacto do assento ou os respetivos cabos estão defeituosos.

**Solução:**

- Sente-se no assento do condutor ou altere a posição do assento.
- Monte a cesta de recolha de relva ou o defletor (acessório), controle o assentamento correto do compartimento de expulsão (⇒ 15.6), repare/substitua o interruptor ou os cabos. (✖)
- Repare/substitua o interruptor de contacto do assento ou os cabos. (✖)

**Avaria:**

O mecanismo de corte foi desacoplado ao cortar em marcha atrás.

**Possível causa:**

- Interruptor de segurança do corte em marcha atrás não acionado.

**Solução:**

- Desbloqueie a lâmina de corte no intervalo de tempo definido (de 5 segundos antes até 1 segundo depois do acoplamento ou modificação do sentido de marcha). (⇒ 8.8)

**Avaria:**

O motor de combustão vai abaixo ao sair do assento do condutor.

**Possível causa:**

- Travão de estacionamento não acionado.
- Mecanismo de corte acoplado (dispositivo de segurança).

**Solução:**

- Acione o travão de estacionamento antes de sair do assento do condutor. (⇒ 8.14)

- Desacople o mecanismo de corte antes de sair do assento do condutor.  
(⇒ 8.5), (⇒ 8.6)

---

**Avaria:**

A mensagem ERRO pisca no visor, soam 3 sinais sonoros consecutivos.

**Possível causa:**

- Erro no interruptor de contacto no banco ou no sistema elétrico (curto-circuito).

**Solução:**

- Rode a chave de ignição para a posição "Motor de combustão desligado", efetue o diagnóstico próprio. (⇒ 9.1)

---

**Avaria:**

Sinal sonoro prolongado ativado.

**Possível causa:**

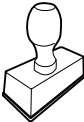
- Cesta de recolha de relva cheia.
- Avaria no sistema eletrónico.
- Bateria com polaridade incorreta.

**Solução:**

- Desacople o mecanismo de corte e esvazie a cesta de recolha de relva.  
(⇒ 13.9)
- Rode a chave de ignição para a posição "Motor de combustão desligado", efetue o diagnóstico próprio. (⇒ 9.1)
- Controle a polaridade das ligações da bateria, eventualmente ligue o cabo de forma correta. (⇒ 15.19)

## 24. Plano de manutenção

### 24.1 Confirmação de entrega

<b>Modelo:</b> _____
<b>Número de série:</b> □ □ □ □ □ □ □ □ □ □
<b>Data:</b> □ □ □ □ □ □ □ □ □ □

Próximo serviço de assistência <b>Data:</b> □ □ □ □ □ □ □ □ □ □

---

### 24.2 Confirmação de assistência



No caso de trabalhos de manutenção, faculte este manual de utilização ao seu distribuidor oficial STIHL.

A realização dos trabalhos de assistência é confirmada nos campos pré-impressos.



Assistência realizada em



Data da próxima assistência

## Αγαπητέ πελάτη,

Σας ευχαριστούμε που επιλέξατε την STIHL για την αγορά σας. Στόχος μας είναι να σχεδιάζουμε και να κατασκευάζουμε προϊόντα κορυφαίας ποιότητας που ανταποκρίνονται στις ανάγκες των πελατών μας. Έτσι δημιουργούμε προϊόντα με υψηλή αξιοπιστία, ακόμα και κάτω από ακραίες συνθήκες χρήσης.

Παράλληλα, η STIHL παρέχει επίσης σέρβις κορυφαίας ποιότητας. Οι πιστοποιημένοι αντιπρόσωποί μας μπορούν να σας προσφέρουν έγκυρες συμβουλές, εκπαίδευση και πλήρη τεχνική υποστήριξη.

Σας ευχαριστούμε για την εμπιστοσύνη σας και σας ευχόμαστε πολλά χρόνια ευχάριστης εργασίας με το προϊόν STIHL σας.



Δρ. Nikolas Stihl

**ΠΡΟΣΟΧΗ! ΔΙΑΒΑΣΤΕ ΤΟ ΕΓΧΕΙΡΙΔΙΟ ΑΥΤΟ ΠΡΙΝ ΤΗ ΧΡΗΣΗ ΚΑΙ ΦΥΛΑΞΤΕ ΤΟ.**

## 1. Περιεχόμενα

<b>Σχετικά με αυτές τις οδηγίες χρήσης</b>	<b>219</b>
Γενικά	219
Υποδείξεις σχετικά με την ανάγνωση των οδηγιών χρήσης	219
<b>Περιγραφή εργαλείου</b>	<b>221</b>
Χλοοκοπτικό τρακτέρ	221
Πίνακας οργάνων	223
<b>Για τη δική σας ασφάλεια</b>	<b>224</b>
Γενικά	224
Εκπαίδευση – Τρόπος χρήσης του εργαλείου	225
Μεταφορά του χλοοκοπτικού τρακτέρ	225
Ανεφοδιασμός - χειρισμός καυσίμων	226
Ενδυμασία και εξοπλισμός	227
Πριν την εργασία	227
Κατά τις εργασίες	228
Συντήρηση και επισκευές	231
Αποθήκευση σε μεγαλύτερα διαστήματα παύσης της λειτουργίας	233
Απόρριψη	234
<b>Περιγραφή συμβόλων</b>	<b>234</b>
<b>Περιεχόμενα συσκευασίας</b>	<b>236</b>
<b>Εργασίες πριν από την έναρξη λειτουργίας για πρώτη φορά</b>	<b>237</b>
<b>Χειριστήρια</b>	<b>237</b>
Κλειδαριά μίζας με διακόπτη φώτων	237
Μοχλός γκαζιού με λειτουργία τσοκ (RT 5097)	237
Μοχλός γκαζιού (RT 5097 Z, RT 5112 Z, RT 6112 ZL, RT 6127 ZL)	238
Πλήκτρο τσοκ (RT 5097 Z, RT 5112 Z, RT 6112 ZL, RT 6127 ZL)	239
Διακόπτης συστήματος κοπής (RT 5097, RT 5097 Z, RT 5112 Z)	239
Πλήκτρο συστήματος κοπής (RT 6112 ZL, RT 6127 ZL)	239
Πλήκτρο Tempomat (RT 6112 ZL, RT 6127 ZL)	240
Διακόπτης ασφαλείας για την κοπή χόρτου με οπισθοπορεία	240
Μοχλός επιλογής κατεύθυνσης κίνησης	241
Τιμόνι	241
Ρύθμιση καθίσματος οδηγού	242
Πεντάλ επιτάχυνσης	242
Πεντάλ φρένων	242
Φρένο στάθμευσης	243
Μοχλός ρύθμισης ύψους κοπής	243
Μοχλός εκκένωσης χορτοσυλλέκτη	244
Μπάρα απασφάλισης χορτοσυλλέκτη	244
Μπάρα ελεύθερης λειτουργίας κιβωτίου μετάδοσης	245
Αισθητήρας στάθμης πλήρωσης (χορτοσυλλέκτης)	246
<b>Ηλεκτρονικό σύστημα</b>	<b>246</b>
Αυτοδιάγνωση κατά την εκκίνηση	246
Βλάβη στο χλοοκοπτικό τρακτέρ κατά τη λειτουργία	247
Βλάβη στο ηλεκτρονικό σύστημα	247
<b>Οθόνη RT 6112 ZL, RT 6127 ZL</b>	<b>247</b>
Ένδειξη 5 ψηφίων	248
Πλήκτρο Set	248
Πλήκτρο Mode	248
Ένδειξη βλαβών	248

Ένδειξη πληροφοριών λειτουργίας	249	Έλεγχος διατάξεων ασφαλείας	269	Διαστάσεις	287
Ένδειξη ενεργών λειτουργιών	250	Καθαρισμός αισθητήρα στάθμης πλήρωσης (χορτοσυλλέκτης)	270	REACH	287
<b>Υποδείξεις για την εργασία</b>	<b>250</b>	Συντήρηση του μαχαιριού κοπής	271	<b>Εντοπισμός βλαβών</b>	<b>288</b>
<b>Συστήματα ασφαλείας</b>	<b>251</b>	Έλεγχος θέσης τοποθέτησης του συστήματος κοπής	274	<b>Πρόγραμμα συντήρησης</b>	<b>291</b>
<b>Θέση του εργαλείου σε λειτουργία</b>	<b>252</b>	Αλλαγή τροχών	274	Βεβαίωση παράδοσης	291
Συμπλήρωση καυσίμου	252	Πίεση ελαστικών	276	Βεβαίωση συντήρησης	291
Θέση του κινητήρα εσωτερικής καύσης σε λειτουργία	253	Λίπανση	276		
Θέση του κινητήρα εσωτερικής καύσης εκτός λειτουργίας	254	Άνοιγμα και κλείσιμο θήκης μπαταρίας	276		
Οδήγηση	254	Αφαίρεση και τοποθέτηση μπαταρίας	277		
Φρενάρισμα	255	Ασφάλειες	278		
Ρύθμιση ύψους κοπής	255	Φόρτιση της μπαταρίας από την υποδοχή φορτιστή	279		
Κοπή χόρτου	255	Αλλαγή λαμπτήρα προβολέα	280		
Προγραμματισμός αυτόματης αποσύμπλεξης του συστήματος κοπής	256	Κινητήρας εσωτερικής καύσης	280		
Εκκένωση χορτοσυλλέκτη	256	Κιβώτιο μετάδοσης	280		
Αφαίρεση και τοποθέτηση χορτοσυλλέκτη	257	Φύλαξη	281		
Ρυμούλκηση φορτίων	258	Ακινητοποίηση για παρατεταμένα χρονικά διαστήματα (π.χ. χειμερινή παύση εργασιών)	281		
Λειτουργία σε πλαγιές	259	Έπειτα από μεγάλα χρονικά διαστήματα ακινητοποίησης (π.χ. χειμερινή παύση εργασιών)	281		
<b>Σύστημα κοπής</b>	<b>259</b>	<b>Μεταφορά</b>	<b>281</b>		
Αφαίρεση συστήματος κοπής	259	<b>Συνηθισμένα ανταλλακτικά</b>	<b>282</b>		
Τοποθέτηση συστήματος κοπής	261	<b>Πρόσθετος εξοπλισμός</b>	<b>282</b>		
<b>Συντήρηση</b>	<b>264</b>	<b>Προστασία περιβάλλοντος</b>	<b>282</b>		
Πρόγραμμα συντήρησης	265	<b>Ελαχιστοποίηση φθορών και αποφυγή βλαβών</b>	<b>283</b>		
Καθαρισμός εργαλείου	266	<b>Πιστοποιητικό συμβατότητας</b>	<b>283</b>		
Άνοιγμα καλύμματος κινητήρα	266	Πιστοποιητικό συμβατότητας ΕΕ για τα χλοοκοπτικά τρακτέρ STIHL RT 5097.1, RT 5097.1 Z, RT 5112.1 Z, RT 6112.1 ZL, RT 6127.1 ZL	283		
Κλείσιμο καλύμματος κινητήρα	267				
Αποσύνδεση αγωγού εξαγωγής	267				
Σύνδεση αγωγού εξαγωγής	267				
Βάνα καυσίμου	268				
Έλεγχος στάθμης πλήρωσης του λιπαντικού κινητήρα	268				
Αλλαγή λιπαντικού κινητήρα	268				
Πλήρωση λιπαντικού κινητήρα	269	<b>Τεχνικά στοιχεία</b>	<b>284</b>		



## 2. Σχετικά με αυτές τις οδηγίες χρήσης

### 2.1 Γενικά

Οι παρούσες οδηγίες χρήσης αποτελούν **μετάφραση των πρωτότυπων οδηγιών λειτουργίας** του κατασκευαστή, σύμφωνα με τον Κανονισμό της ΕΕ 2006/42/EC.

Η STIHL εργάζεται συνεχώς για τη βελτίωση και εξέλιξη της σειράς των προϊόντων της, συνεπώς διατηρεί το δικαίωμα αλλαγών των προϊόντων όσον αφορά τη μορφή, την τεχνική και τον εξοπλισμό τους.

Για το λόγο αυτό, οι αναφορές και οι εικόνες που περιέχονται στο παρόν φυλλάδιο δεν είναι δεσμευτικές.

Στις παρούσες οδηγίες χρήσης περιγράφονται και ενδεχόμενα μοντέλα τα οποία δεν είναι διαθέσιμα σε όλες τις χώρες.

Οι παρούσες οδηγίες χρήσης καλύπτονται από τις διατάξεις περί προστασίας πνευματικών δικαιωμάτων. Με την επιφύλαξη παντός δικαιώματος και ειδικότερα του δικαιώματος της αναπαραγωγής, της μετάφρασης και της επεξεργασίας με ηλεκτρονικά συστήματα.

### 2.2 Υποδείξεις σχετικά με την ανάγνωση των οδηγιών χρήσης

Οι εικόνες και τα κείμενα περιγράφουν συγκεκριμένα βήματα χειρισμού.

Όλα τα σύμβολα εικόνων που είναι τοποθετημένα στο εργαλείο επεξηγούνται στις παρούσες οδηγίες χρήσης.

### Κατεύθυνση βλέμματος:

Κατεύθυνση βλέμματος όταν αναφέρεται «**δεξιά**» και «**αριστερά**» στις οδηγίες χρήσης:

Ο χρήστης βρίσκεται πίσω από το εργαλείο και κοιτά εμπρός, προς την κατεύθυνση κίνησης.

### Παραπομπή κεφαλαίων:

Η παραπομπή στα αντίστοιχα κεφάλαια και υποκεφάλαια για περαιτέρω επεξηγήσεις γίνεται με ένα βέλος. Στο παράδειγμα που ακολουθεί παρουσιάζεται μία παραπομπή σε ένα κεφάλαιο: (⇒ 4.)

### Χαρακτηρισμός των αποσπασμάτων των κειμένων:

Οι υποδείξεις που περιγράφονται ενδέχεται να επισημαίνονται με τον τρόπο που παρουσιάζεται στα παρακάτω παραδείγματα.

Βήματα χειρισμού που απαιτούν την επέμβαση του χρήστη:

- Λύστε τη βίδα (1) με ένα κατσαβίδι, πιέστε το μοχλό (2) ...

Γενικές περιγραφές:

- Χρήση του προϊόντος σε αθλητικές δραστηριότητες ή διαγωνισμούς

### Κείμενο με πρόσθετη σημασία:

Τα αποσπάσματα με πρόσθετη σημασία επισημαίνονται με τα εξής σύμβολα για να τονιστούν ιδιαίτερα σε αυτές τις οδηγίες χρήσης.



### Κίνδυνος!

Κίνδυνος ατυχήματος και σοβαρών τραυματισμών ατόμων. Απαιτείται ή πρέπει να αποφευχθεί μία συγκεκριμένη συμπεριφορά.



### Προειδοποίηση!

Κίνδυνος τραυματισμών ατόμων. Μία συγκεκριμένη συμπεριφορά αποτρέπει πιθανούς ή ενδεχόμενους τραυματισμούς.



### Προσοχή!

Οι ελαφριοί τραυματισμοί ή αντίστοιχα οι υλικές ζημιές μπορούν να αποτραπούν με μία συγκεκριμένη συμπεριφορά.



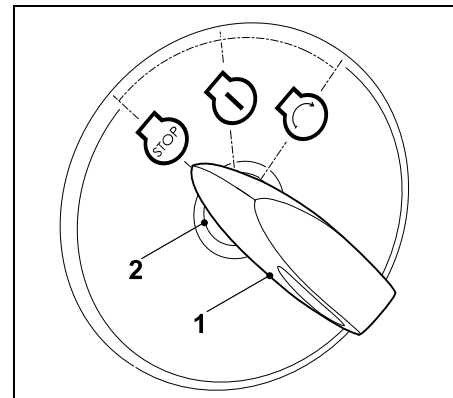
### Υπόδειξη

Πληροφορίες για την καλύτερη χρήση του εργαλείου και για την αποφυγή πιθανών λανθασμένων χειρισμών.

### Εικόνες με αποσπάσματα κειμένου:

Τα βήματα χειρισμού με άμεσο συσχετισμό στην εικόνα θα τα βρείτε αμέσως μετά την εικόνα με τους αντίστοιχους αριθμούς θέσεων.

Για παράδειγμα:



Τοποθετήστε το κλειδί μίζας (1) στην κλειδαριά μίζας (2).

### **Κείμενα σε συσχέτισμό με εικόνα:**

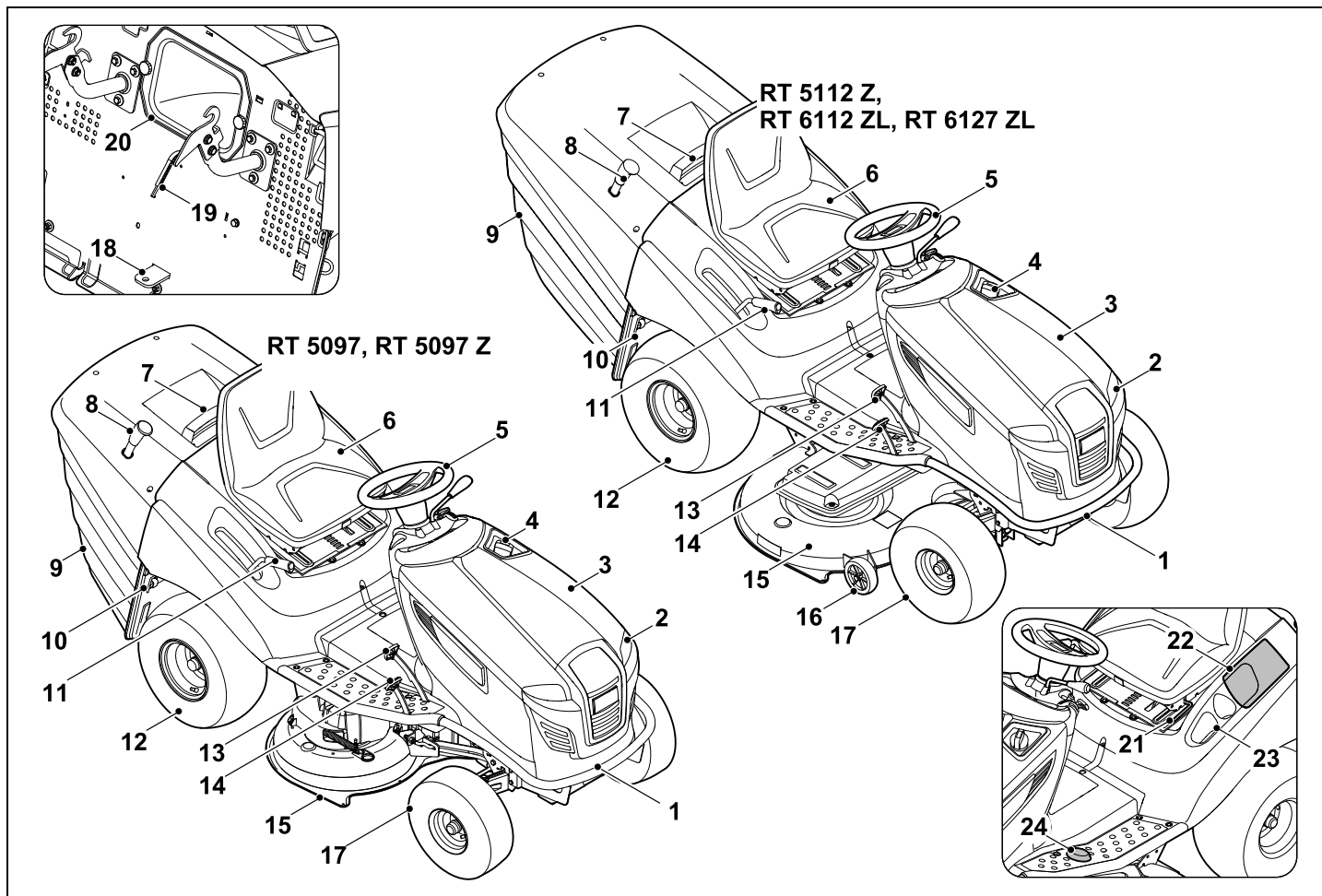
Όλες τις απεικονίσεις που επεξηγούν τη χρήση του εργαλείου θα τις βρείτε στην αρχή αυτών των οδηγιών χρήσης.

Το σύμβολο κάμερας χρησιμεύει στο συσχέτισμό των εικόνων στις σελίδες εικόνων με το αντίστοιχο τμήμα κειμένου των οδηγιών χρήσης.



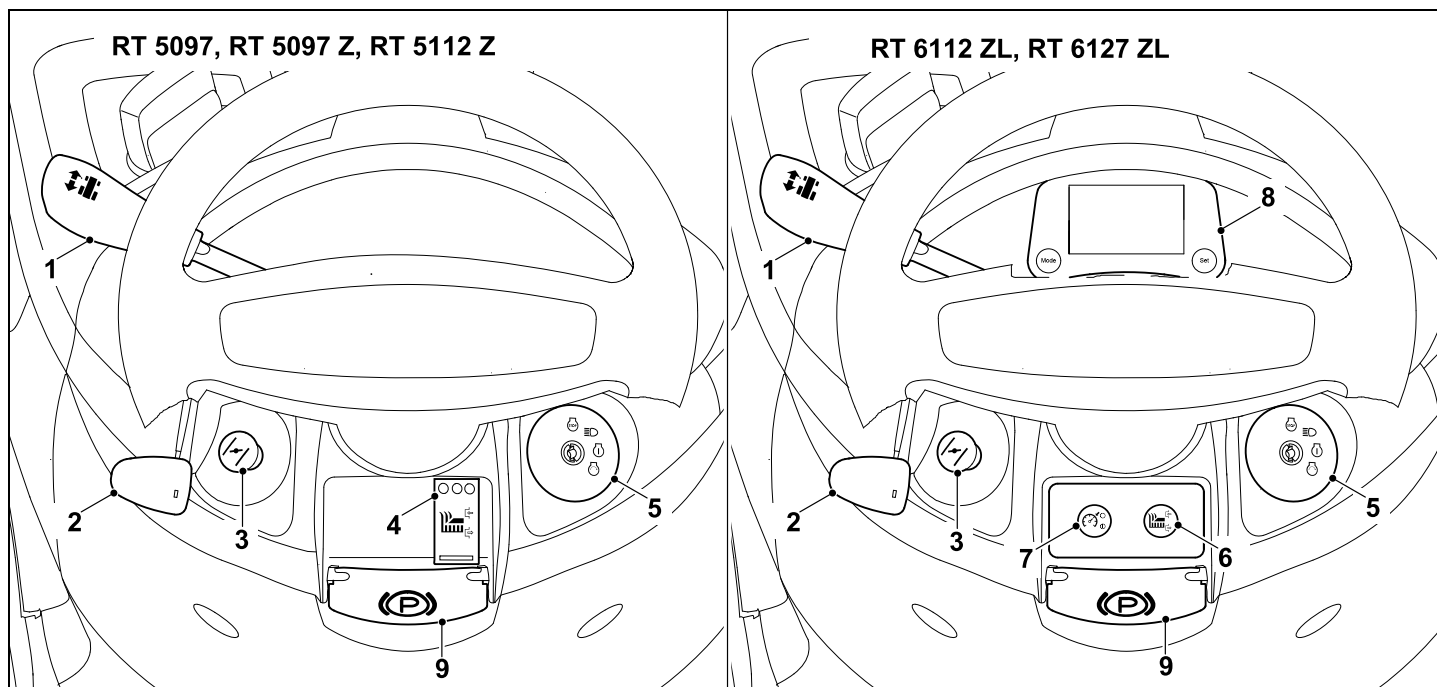
### 3. Περιγραφή εργαλείου

#### 3.1 Χλοοκοπτικό τρακτέρ



- 1 Προφυλακτήρας
- 2 Προβολέας
- 3 Κάλυμμα κινητήρα
- 4 Τάπα ρεζερβουάρ
- 5 Τιμόνι
- 6 Κάθισμα οδηγού
- 7 Χειρολαβή χορτοσυλλέκτη με μπάρα απασφάλισης
- 8 Μοχλός εκκένωσης χορτοσυλλέκτη
- 9 Χορτοσυλλέκτης
- 10 Μπάρα ελεύθερης λειτουργίας κιβωτίου μετάδοσης
- 11 Μοχλός ρύθμισης ύψους κοπής
- 12 Πίσω τροχός
- 13 Πεντάλ φρένων
- 14 Πεντάλ επιτάχυνσης (ταχύτητα κίνησης)
- 15 Σύστημα κοπής
- 16 Βοηθητικοί τροχοί
- 17 Μπροστινός τροχός
- 18 Κοτσαδόρος
- 19 Αισθητήρας στάθμης πλήρωσης (χορτοσυλλέκτης)
- 20 Αγωγός εξαγωγής
- 21 Μοχλός ρύθμισης καθίσματος οδηγού
- 22 Θήκη μπαταρίας
- 23 Ποτηροθήκη
- 24 Διακόπτης ασφαλείας για την κοπή χόρτου με οπισθοπορεία

### 3.2 Πίνακας οργάνων



- |  |   |
|--|---|
| <b>1</b> Μοχλός επιλογής κατεύθυνσης κίνησης (μπροστά – όπισθεν) (⇒ 8.9)         | <b>4</b> Διακόπτης συστήματος κοπής (RT 5097, RT 5097 Z, RT 5112 Z) (⇒ 8.5) |
| <b>2</b> Μοχλός γκαζιού με ενσωματωμένη λειτουργία τσοκ (RT 5097) (⇒ 8.2)        | <b>5</b> Κλειδαριά μίζας με διακόπτη φώτων (⇒ 8.1)                          |
| <b>2</b> Μοχλός γκαζιού (RT 5097 Z, RT 5112 Z, RT 6112 ZL, RT 6127 ZL) (⇒ 8.3)   | <b>6</b> Πλήκτρο συστήματος κοπής (RT 6112 ZL, RT 6127 ZL) (⇒ 8.6)          |
| <b>3</b> Πλήκτρο τσοκ (RT 5097 Z, RT 5112 Z, RT 6112.1 ZL, RT 6127.1 ZL) (⇒ 8.4) | <b>7</b> Πλήκτρο Tempomat (RT 6112 ZL, RT 6127 ZL) (⇒ 8.7)                  |
|  | <b>8</b> Οθόνη με πλήκτρα χειρισμού (RT 6112 ZL, RT 6127 ZL) (⇒ 10.)        |
|  | <b>9</b> Μοχλός φρένου στάθμευσης (⇒ 8.14)                                  |

## 4. Για τη δική σας ασφάλεια

### 4.1 Γενικά



Κατά τις εργασίες με το εργαλείο θα πρέπει να τηρηθούν οπωσδήποτε οι παρόντες κανονισμοί πρόληψης

ατυχημάτων.



Πριν από την πρώτη θέση σε λειτουργία θα πρέπει να διαβάσετε προσεκτικά όλες τις οδηγίες χρήσης. Φυλάξτε τις οδηγίες χρήσης προσεκτικά για μελλοντική χρήση.

Δώστε προσοχή στις υποδείξεις λειτουργίας και συντήρησης που αναφέρονται στις ξεχωριστές οδηγίες χρήσης του κινητήρα εσωτερικής καύσης.

Αυτά τα προληπτικά μέτρα είναι απαραίτητα για τη δική σας ασφάλεια. Χρησιμοποιείτε το εργαλείο με σύνεση και υπευθυνότητα και έχετε πάντοτε υπ' όψιν σας ότι ο χρήστης του εργαλείου ευθύνεται για τυχόν ατυχήματα ή πρόκληση ζημιών σε ξένη ιδιοκτησία.



#### **Κίνδυνος ασφυξίας!**

Κίνδυνος ασφυξίας για τα παιδιά όταν παίζουν με τα υλικά συσκευασίας. Κρατάτε τα υλικά συσκευασίας πάντα μακριά από παιδιά.

Παραχωρήστε ή δανείστε το εργαλείο μαζί με όλα τα εξαρτήματα, μόνο σε άτομα που έχουν ενημερωθεί ή γνωρίζουν το συγκεκριμένο μοντέλο και έχουν εξοικειωθεί απόλυτα με τη χρήση του. Οι

οδηγίες χρήσης αποτελούν μέρος του εργαλείου και θα πρέπει να παραδίδονται πάντα μαζί μ' αυτό.

Βεβαιωθείτε ότι ο χρήστης έχει τις σωματικές, πνευματικές και αισθητηριακές ικανότητες να χειριστεί το εργαλείο και να εργαστεί με αυτό. Εάν ο χρήστης έχει περιορισμένες σωματικές, πνευματικές ή αισθητηριακές ικανότητες, τότε επιτρέπεται να εργαστεί με το χλοοκοπτικό μηχανήμα μόνο υπό την επίβλεψη ενός αρμόδιου ατόμου.

Βεβαιωθείτε ότι ο χρήστης είναι ενήλικας ή ότι ο χρήστης εκπαιδεύεται επαγγελματικά υπό επίβλεψη, σύμφωνα με τους εθνικούς κανονισμούς.

Χρησιμοποιείτε το εργαλείο μόνο όταν είστε ξεκούραστοι και βρίσκεστε σε άριστη φυσική και πνευματική κατάσταση. Εάν αντιμετωπίζετε περιορισμούς λόγω υγείας θα πρέπει να ρωτήσετε τον γιατρό σας εάν μπορείτε να εργαστείτε με το εργαλείο. Δεν επιτρέπεται να εργάζεστε με το εργαλείο μετά τη λήψη αλκοόλ, ναρκωτικών ουσιών ή φαρμάκων που μειώνουν την ικανότητα αντίδρασης.

#### **Προσοχή – Κίνδυνος ατυχήματος!**

Το χλοοκοπτικό τρακτέρ προορίζεται αποκλειστικά για χλοοκοπτικές εργασίες. Δεν επιτρέπεται οποιαδήποτε άλλη χρήση.

Το εργαλείο μπορεί να εξοπλιστεί με γνήσια πρόσθετα εξαρτήματα της STIHL. Αυτά παρέχουν στο εργαλείο επιπρόσθετες δυνατότητες εφαρμογής. Ο εμπροστικός αντιπρόσωπος STIHL θα σας δώσει σχετικές πληροφορίες.

Λόγω του αυξημένου κινδύνου πρόκλησης τραυματισμών στο χειριστή ή σε άλλα άτομα, το εργαλείο δεν πρέπει να χρησιμοποιείται για παράδειγμα στις εξής περιπτώσεις (αποσπασματική αναφορά):

- Για την κοπή χόρτου κοντά σε κράσπεδα.
- Για την κοπή και τον τεμαχισμό κλαδιών δέντρων και θαμνοφρακτών.
- Για τον καθαρισμό πεζοδρομίων (αναρρόφηση, λειτουργία φυσητήρα).
- Για τον εκκιονισμό με τη βοήθεια του συστήματος κοπής.
- Για τη φροντίδα του χλοοτάπητα επάνω σε στέγες.
- Για την ομαλοποίηση του εδάφους, όπως για παράδειγμα σε φωλιές τυφλοπόντικων.
- Για τη μεταφορά του υλικού κοπής, εκτός από τον προβλεπόμενο για αυτή τη χρήση χορτοσυλλέκτη.

Το εργαλείο δεν έχει εγκριθεί για κυκλοφορία στο οδικό δίκτυο.

Δεν επιτρέπεται η μεταφορά ατόμων (και ειδικότερα παιδιών) και ζώων.

Μην ανεβαίνετε ποτέ επάνω στο σύστημα κοπής και ειδικότερα στους βοηθητικούς τροχούς.

Η μεταφορά αντικειμένων επιτρέπεται μόνο με τη βοήθεια εγκεκριμένου από τη STIHL ρυμουλκούμενου (πρόσθετος εξοπλισμός) και όχι επάνω στο εργαλείο. Μην υπερβαίνετε τα όρια βάρους. (⇒ 13.11)

Στη χρήση σε δημόσιους χώρους, σε πάρκα, σε χώρους άθλησης, σε δρόμους, σε αγροτικές και γεωργικές επιχειρήσεις απαιτείται ιδιαίτερη προσοχή.

Το εργαλείο δεν πρέπει να χρησιμοποιείται σε αθλητικές δραστηριότητες και διαγωνισμούς.

Για λόγους ασφαλείας, απαγορεύεται οποιαδήποτε μετατροπή στο εργαλείο, εκτός από την επαγγελματική τοποθέτηση

πρόσθετου εξοπλισμού και προσαρμοζόμενων μηχανημάτων που έχουν εγκριθεί από τη STIHL. Επιπλέον, η μη τήρηση αυτής της σύστασης οδηγεί σε ακύρωση της εγγύησης. Πληροφορίες για τα εγκεκριμένα εξαρτήματα και τα προσαρμοζόμενα μηχανήματα μπορείτε να λάβετε από τον εμπορικό αντιπρόσωπο STIHL.

Ειδικότερα, απαγορεύεται οποιαδήποτε επέμβαση στο εργαλείο, η οποία επηρεάζει την απόδοση, τον αριθμό στροφών του κινητήρα εσωτερικής καύσης ή την ταχύτητα κίνησης.

Το εργαλείο είναι εξοπλισμένο με ένα ηλεκτρονικό σύστημα το οποίο δεν πρέπει σε καμία περίπτωση να αφαιρεθεί ή να τροποποιηθεί.

Για λόγους ασφαλείας δεν πρέπει να τροποποιηθεί ή να γίνουν επεμβάσεις στο λογισμικό του εργαλείου.



**Προσοχή! Κίνδυνος για την υγεία λόγω κραδασμών!** Η υπερβολική καταπόνηση από κραδασμούς μπορεί να

προκαλέσει διαταραχές στο κυκλοφορικό ή νευρικό σύστημα, ειδικά στα άτομα με προβλήματα στο κυκλοφορικό σύστημα. Απευθυνθείτε σε έναν γιατρό, εάν παρουσιαστούν ορισμένα συμπτώματα από τους κραδασμούς.

Τέτοια συμπτώματα, που εμφανίζονται κυρίως στα δάκτυλα, τα χέρια και τους καρπούς των χεριών, είναι για παράδειγμα (αποσπασματική αναφορά):

- αναισθησία,
- πόνοι,
- μυϊκή ατονία,
- αποχρώσεις στην επιδερμίδα,
- μούδιασμα.

Κατά τη διάρκεια της λειτουργίας, κρατήστε το τιμόνι σταθερά, αλλά όχι πολύ σφιχτά, και με τα δύο χέρια από τα προβλεπόμενα σημεία.

Προγραμματίστε τους χρόνους εργασίας με τέτοιο τρόπο ώστε να αποφεύγετε μεγάλες καταπονήσεις για μεγάλα χρονικά διαστήματα.

## 4.2 Εκπαίδευση – Τρόπος χρήσης του εργαλείου

Εξοικειωθείτε με τα χειριστήρια και τα στοιχεία ρύθμισης του εργαλείου καθώς και με τη σωστή χρήση του. Ειδικότερα, ο χρήστης θα πρέπει να γνωρίζει πώς να διακόψει άμεσα τη λειτουργία του κινητήρα εσωτερικής καύσης και των εργαλείων.

Το εργαλείο επιτρέπεται να χρησιμοποιηθεί μόνο από άτομα που έχουν διαβάσει τις οδηγίες χρήσης και εξοικειωθεί με τη χρήση του εργαλείου. Πριν από την πρώτη θέση σε λειτουργία θα πρέπει ο χρήστης να επιδιώκει να λαμβάνει πρακτικές και σωστές υποδείξεις και συμβουλές χρήσης. Ο πωλητής ή ο ειδικός τεχνίτης θα πρέπει να εξηγήσει στο χρήστη τον ασφαλή χειρισμό του εργαλείου.

Ειδικότερα, ο χρήστης θα πρέπει να κατανοήσει

- ότι για την εργασία με το εργαλείο απαιτείται ιδιαίτερη προσοχή και συγκέντρωση,
- και ότι με τη χρήση του φρένου δεν μπορεί να αποτραπεί ενδεχόμενη ανατροπή ή απώλεια ελέγχου του χλοοκοπτικού τρακτέρ σε μια πλαγιά.

Οι βασικές αιτίες για την απώλεια ελέγχου του χλοοκοπτικού τρακτέρ μπορεί μεταξύ άλλων να είναι οι εξής:

- ελλιπής πρόσφυση των τροχών στο έδαφος,
- πολύ γρήγορη οδήγηση,
- υπερβολικό φρενάρισμα,
- μη ενδεδειγμένη χρήση του εργαλείου (αθλητικές διοργανώσεις κ.λπ.),
- ελλιπής γνώση των επιδράσεων που σχετίζονται με τις συνθήκες του εδάφους, κυρίως σε πλαγιές (ανατρέξτε στο κεφάλαιο «Για τη δική σας ασφάλεια», ενότητα «Εργασίες σε πλαγιές»),
- λανθασμένη ανάρτηση και ακατάλληλη κατανομή φορτίων.

Ακόμη και όταν χειρίζεστε το εργαλείο σύμφωνα με τον προβλεπόμενο τρόπο, πάντα εξακολουθούν να υπάρχουν κάποιοι κίνδυνοι.

## 4.3 Μεταφορά του χλοοκοπτικού τρακτέρ

Το χλοοκοπτικό τρακτέρ μπορεί να προκαλέσει σοβαρούς τραυματισμούς από σύνθλιψη λόγω του βάρους του. Θα πρέπει να δίνετε ιδιαίτερη προσοχή κατά τη φόρτωση και εκφόρτωση του χλοοκοπτικού τρακτέρ για τη μεταφορά σε όχημα ή σε ρυμουλκούμενο.

Αυτό το χλοοκοπτικό τρακτέρ δεν επιτρέπεται να ρυμουλκηθεί. Για τη μεταφορά σε δημόσιους δρόμους θα πρέπει να χρησιμοποιήσετε κατάλληλο όχημα ή κατάλληλο ρυμουλκούμενο.

Το χλοοκοπτικό τρακτέρ θα πρέπει κατά τη μεταφορά να στερεώνεται επάνω στην επιφάνεια φόρτωσης, όπως περιγράφεται στις παρούσες οδηγίες χρήσης. Ενεργοποιείτε πάντοτε το φρένο στάθμευσης. (⇒ 16.)

Πριν από τη μεταφορά, αποσυμπλέξτε το σύστημα μετάδοσης της κίνησης για το μαχαίρι κοπής και τα προσαρμοζόμενα μηχανήματα.

Τηρείτε τους τοπικούς κανονισμούς που ορίζονται από τη νομοθεσία για τη μεταφορά του εργαλείου και ειδικότερα αυτούς που αφορούν την ασφάλεια φορτίου και τη μεταφορά αντικειμένων επάνω σε επιφάνειες φόρτωσης.

Μετά τη φόρτωση και πριν από την μεταφορά του, αφήστε το εργαλείο, και κυρίως τον κινητήρα εσωτερικής καύσης και τον σιγαστήρα εξάτμισης, να κρυώσει τελείως. Η επιφάνεια φόρτωσης και η περιοχή γύρω από το σιγαστήρα εξάτμισης και τον κινητήρα εσωτερικής καύσης θα πρέπει να διατηρούνται κατά τη διάρκεια της μεταφοράς καθαρές από εύφλεκτα υλικά όπως άχυρα, φύλλα και ξερά υπολείμματα χόρτου.

#### 4.4 Ανεφοδιασμός - χειρισμός καυσίμων



##### Κίνδυνος θάνατος!

Η βενζίνη είναι ένα τοξικό και εξαιρετικά εύφλεκτο υλικό.

Φυλάσσετε τη βενζίνη πάντοτε μέσα σε ελεγχόμενα δοχεία (κάνιστρα) που προβλέπονται για το σκοπό αυτό. Οι τάπες των δοχείων καυσίμου θα πρέπει να βιδώνονται και να σφίγγονται γερά με τον ενδεικνυόμενο τρόπο. Για λόγους ασφαλείας θα πρέπει να αντικατασταθούν οι τάπες εάν έχουν υποστεί ζημιά.



Κρατήστε τη βενζίνη μακριά από σπίθες, ανοικτή φλόγα, φλόγες διαρκείας, πηγές θερμότητας και άλλες πηγές ανάφλεξης. Μην καπνίζετε!

Γεμίζετε με καύσιμα το ρεζερβουάρ μόνο όταν βρίσκεστε σε εξωτερικό χώρο και μην καπνίζετε κατά τη διαδικασία ανεφοδιασμού του καυσίμου.

Πριν από τον ανεφοδιασμό καυσίμου σβήστε τον κινητήρα εσωτερικής καύσης και αφήστε τον να κρυώσει.

Η πλήρωση του καυσίμου θα πρέπει να γίνεται πριν τη θέση του κινητήρα εσωτερικής καύσης σε λειτουργία. Όσο ο κινητήρας εσωτερικής καύσης βρίσκεται σε λειτουργία ή όσο το εργαλείο είναι ακόμα θερμό δεν επιτρέπεται να ανοιχθεί η τάπα του ρεζερβουάρ ή να πληρωθεί αυτό με βενζίνη.

Ανοίξτε αργά και προσεκτικά την τάπα του ρεζερβουάρ. Περιμένετε μέχρι να επιτευχθεί εξισορρόπηση της πίεσης και κατόπιν αφαιρέστε τελείως την τάπα του ρεζερβουάρ καυσίμου.

Για τον ανεφοδιασμό του εργαλείου με καύσιμο χρησιμοποιείτε κατάλληλη χοάνη ή σωλήνα πλήρωσης, ώστε να μην χυθεί το καύσιμο στον κινητήρα εσωτερικής καύσης και στο περιβλημά ή στο χλοοτάπητα.

##### Μην γεμίζετε υπερβολικά το ρεζερβουάρ καυσίμου!

Για να εξασφαλίσετε τον απαιτούμενο χώρο για τη διαστολή του καυσίμου, μη γεμίζετε το ρεζερβουάρ καυσίμου επάνω από την κάτω ακμή του στομίου πλήρωσης. Επιπρόσθετα, ακολουθήστε τις υποδείξεις που αναφέρονται στις οδηγίες χρήσης του κινητήρα εσωτερικής καύσης.

Σε περίπτωση που χυθεί βενζίνη, θέστε τον κινητήρα εσωτερικής καύσης σε λειτουργία, μόνον αφού πρώτα καθαρίσετε καλά όλες τις επιφάνειες που λερώθηκαν από τη βενζίνη. Αποφύγετε κάθε

προσπάθεια ανάφλεξης μέχρι να εξατμιστούν οι αναθυμιάσεις του καυσίμου (σκουπίστε το χυμένο καύσιμο).

Τα καύσιμα που έχουν χυθεί θα πρέπει να σκουπίζονται αμέσως.

Εάν έχει πέσει βενζίνη στα ρούχα, θα πρέπει να τα αλλάξετε.

Βιδώνετε και σφίγγετε καλά την τάπα του ρεζερβουάρ έπειτα από κάθε ανεφοδιασμό. Δεν επιτρέπεται να χρησιμοποιήσετε το εργαλείο χωρίς να έχετε βιδώσει την αυθεντική τάπα του ρεζερβουάρ.

Για λόγους ασφαλείας θα πρέπει οι σωληνώσεις καυσίμου, το ρεζερβουάρ, η τάπα και οι συνδέσεις να ελέγχονται τακτικά για τυχόν ζημιές, φυσιολογική φθορά (ευθρυπτικότητα υλικών), σωστή εφαρμογή και διαρροές και να αντικαθίστανται εάν κάτι τέτοιο κρίνεται αναγκαίο (αναζητήστε έναν εμπορικό αντιπρόσωπο, η STIHL προτείνει τον εμπορικό αντιπρόσωπο STIHL).

Τυχόν άδειασμα του ρεζερβουάρ πρέπει να γίνεται σε υπαίθριο χώρο.

Μη χρησιμοποιείτε ποτέ φιάλες ποτών ή άλλα παρόμοια δοχεία για την απόρριψη ή τη φύλαξη των καυσίμων. Υπάρχει κίνδυνος να μπερδευτεί κάποιος και να πει μέσα από αυτά, ιδιαίτερα τα παιδιά.

Μη φυλάσσετε ποτέ το εργαλείο μέσα σε ένα κτίριο εάν το ρεζερβουάρ περιέχει βενζίνη. Μπορεί να προκληθεί ανάφλεξη των αναθυμιάσεων της βενζίνης εάν αυτές έρθουν σε επαφή με ανοικτή φλόγα ή σπινθήρα.

Μην τοποθετείτε το εργαλείο και το δοχείο καυσίμου κοντά σε καλοριφέρ, θερμαντήρες, μηχανήματα συγκόλλησης και άλλες πηγές θερμότητας. **Κίνδυνος έκρηξης!**



## 4.5 Ενδυμασία και εξοπλισμός



Κατά την εργασία θα πρέπει να φοράτε πάντοτε κλειστά ανθεκτικά υποδήματα με αντιολισθητική σόλα. Μην εργάζεστε ποτέ εάν δεν φοράτε υποδήματα ή π.χ. όταν φοράτε πέδιλα.

Για τη χρήση του εργαλείου ο χειριστής πρέπει να φορά μακρύ παντελόνι και εφαρμοστά ρούχα.

Μην φοράτε ποτέ φαρδιά ρούχα, τα οποία μπορεί να πιαστούν στα κινητά μέρη του εργαλείου (μοχλοί χειρισμού). Επίσης, μην φοράτε κοσμήματα, γραβάτες και κασκόλ.



Κατά την εκτέλεση εργασιών συντήρησης και καθαρισμού καθώς και κατά τη μεταφορά του εργαλείου, φοράτε πάντα ανθεκτικά γάντια, ενώ τα μακριά μαλλιά πρέπει να δένονται και να καλύπτονται (με μαντίλι, καπέλο κ.λπ.).



Φοράτε πάντα κατάλληλα προστατευτικά γυαλιά όταν τροχίζετε το μαχαίρι κοπής.



Κατά την εργασία δημιουργείται θόρυβος. Ο θόρυβος μπορεί να βλάψει την ακοή.

Φοράτε μέσα προστασίας ακοής.

## 4.6 Πριν την εργασία

Θα πρέπει να εξασφαλιστεί ότι μ' αυτό το εργαλείο θα εργαστούν μόνον άτομα που γνωρίζουν τις οδηγίες χρήσης.

Πριν από την έναρξη λειτουργίας του εργαλείου ελέγξτε τη στεγανότητα του συστήματος καυσίμου, και ειδικά των ορατών εξαρτημάτων όπως π. χ.

ρεζερβουάρ, τάπα ρεζερβουάρ, συνδέσεις εύκαμπτων σωλήνων. Εάν υπάρχουν διαρροές ή ζημιές μην θέσετε τον κινητήρα εσωτερικής καύσης σε λειτουργία –

### **Κίνδυνος πυρκαγιάς!**

Αναθέστε την επισκευή του εργαλείου στον εμπορικό αντιπρόσωπο πριν το θέσετε σε λειτουργία.

Δώστε προσοχή στους τοπικούς κανονισμούς που αφορούν τους χρόνους λειτουργίας και χρήσης μηχανοκίνητων εργαλείων κήπου με κινητήρα εσωτερικής καύσης ή ηλεκτροκίνητρα.

Ελέγξτε προσεκτικά την περιοχή όπου θα χρησιμοποιήσετε το εργαλείο και απομακρύνετε πέτρες, κλαδιά, σύρματα, παιχνίδια και άλλα ξένα αντικείμενα που μπορεί να εκσφενδονιστούν από το εργαλείο. Τα εμπόδια (π.χ. κομμένοι κορμοί δέντρων, ρίζες) δεν γίνονται εύκολα αντιληπτά στο ψηλό χόρτο.

Για το λόγο αυτό, μαρκάρετε πριν από την εργασία με το εργαλείο όλα τα ξένα σώματα (εμπόδια) τα οποία είναι ενσωματωμένα στο χλοοτάπητα και δεν μπορούν να απομακρυνθούν.

Πριν από τη χρήση του εργαλείου θα πρέπει να αντικατασταθούν τα φθαρμένα ή ελαττωματικά εξαρτήματα. Οι δυσανάγνωστες ή οι φθαρμένες πινακίδες υποδειγνων και προειδοποιήσεων στο εργαλείο θα πρέπει να αντικαθίστανται άμεσα. Ο αντιπρόσωπος της STIHL διαθέτει εφεδρικές αυτοκόλλητες πινακίδες και όλα τα υπόλοιπα ανταλλακτικά.



### **Κίνδυνος τραυματισμών!**

Τα φθαρμένα ή κατεστραμμένα εξαρτήματα (π.χ. στομωμένο μαχαίρι) μπορεί να επηρεάσουν την ασφάλεια του εργαλείου και να προκαλέσουν τραυματισμούς του χρήστη.

Ποτέ μην χρησιμοποιείτε το εργαλείο εάν έχουν υποστεί ζημιά οι διατάξεις ασφαλείας ή δεν είναι τοποθετημένες.

Οι μηχανισμοί με ελατήρια μπορούν να απελευθερώσουν αποθηκευμένη ενέργεια. Οι μηχανισμοί με ελατήρια πρέπει να είναι άθικτοι και να λειτουργούν.

Πριν από κάθε χρήση θα πρέπει να ελέγχεται η λειτουργία του φρένου. (⇒ 13.5)

Πριν από κάθε έναρξη λειτουργίας βεβαιωθείτε ότι:

- το κοπτικό εργαλείο και ολόκληρη η μονάδα κοπής (μαχαίρι κοπής, συμπλέκτης μαχαιριού, φρένο μαχαιριού, πείροι στερέωσης, περίβλημα συστήματος κοπής) βρίσκονται σε άριστη κατάσταση. Ειδικότερα, θα πρέπει να ελέγχετε τη σταθερή εφαρμογή καθώς και την ύπαρξη ζημιών ή φθοράς.
- η τάπα του ρεζερβουάρ έχει βιδωθεί σωστά,
- εάν το ρεζερβουάρ και τα εξαρτήματα τροφοδότησης καυσίμου καθώς και η τάπα του ρεζερβουάρ βρίσκονται σε άριστη κατάσταση,
- οι διατάξεις ασφαλείας βρίσκονται σε άριστη κατάσταση και λειτουργούν σωστά.
- τα ελαστικά (πίεση αέρα, ζημιές, φυσιολογική φθορά) και το πλαίσιο βρίσκονται σε άριστη κατάσταση. Ελέγξτε τη σωστή εφαρμογή των κοχλιοσυνδέσεων. Ειδικότερα, πρέπει να εκτελείτε όλες τις εργασίες συντήρησης που αναφέρονται στο πρόγραμμα συντήρησης, στην ενότητα «Πριν από κάθε έναρξη λειτουργίας». (⇒ 15.1)

Εάν χρειαστεί, επικοινωνήστε με τον εμπορικό αντιπρόσωπο. Η STIHL προτείνει τον εμπορικό αντιπρόσωπο STIHL.

#### 4.7 Κατά τις εργασίες



Μην εργάζεστε ποτέ όταν βρίσκονται κοντά σας άλλα άτομα, και ιδιαίτερα παιδιά, ή ζώα. Το χόρτο δεν πρέπει ποτέ

να κατευθύνεται προς το μέρος τρίτων ατόμων.

Μην εργάζεστε με το εργαλείο σε βροχή, καταιγίδα και ειδικότερα όταν υπάρχει κίνδυνος κεραυνοπληξίας.

#### Καυσαέρια:



#### Κίνδυνος δηλητηριάσεων!

Εάν νοιώθετε αδιαθεσία, έχετε πονοκέφαλο, πρόβλημα όρασης (π.χ. περιορισμένο οπτικό πεδίο), προβλήματα ακοής, ναυτία, μειωμένη συγκέντρωση, διακόψτε αμέσως την εργασία. Αυτά τα συμπτώματα μπορεί να οφείλονται μεταξύ άλλων από την υψηλή συγκέντρωση καυσαερίων.



Το εργαλείο παράγει επικίνδυνα καυσαέρια όταν ο κινητήρας εσωτερικής λειτουργίας τεθεί σε λειτουργία. Αυτά τα αέρια

περιέχουν μονοξείδιο του άνθρακα, ένα άοσμο και άχρωμο αέριο, καθώς και άλλες βλαβερές ουσίες. Ο κινητήρας εσωτερικής καύσης δεν πρέπει ποτέ να τίθεται σε λειτουργία σε κλειστούς χώρους ή σε χώρους που δεν αερίζονται καλά.

#### Εκκίνηση:

Το εργαλείο πρέπει να τίθεται σε λειτουργία μόνο από το κάθισμα του οδηγού.

Εκκινήστε το εργαλείο σε επίπεδη επιφάνεια και όχι σε πλαγιά.

Ο κινητήρας εσωτερικής καύσης πρέπει να τίθεται σε λειτουργία μόνο σε καλά αεριζόμενο χώρο εργασίας. Ειδικότερα σε γκαράζ, θα πρέπει να φροντίζετε για τον επαρκή αερισμό του χώρου.

Πριν θέσετε τον κινητήρα εσωτερικής καύσης σε λειτουργία, αποσυμπλέξτε το κοπτικό εργαλείο, τα προσαρμοζόμενα μηχανήματα και το σύστημα μετάδοσης κίνησης και πιέστε δυνατά το πεντάλ φρένων.

Κατά την εκκίνηση θα πρέπει να προσέχετε ώστε να υπάρχει επαρκής απόσταση μεταξύ των ποδιών και του κοπτικού εργαλείου.

Μην εκκινείτε ποτέ τον κινητήρα εσωτερικής καύσης βραχυκυκλώνοντας τον ακροδέκτη της μίζας. Εάν παρακαμφθεί το κανονικό κύκλωμα της μίζας, το χλοοκοπτικό τρακτέρ ενδέχεται να τεθεί απότομα σε κίνηση.

Μην θέτετε ποτέ σε λειτουργία τον κινητήρα εσωτερικής καύσης εάν παρατηρείτε οσμή βενζίνης – **Κίνδυνος έκρηξης!**

#### Εργασία:



#### Προειδοποίηση – Κίνδυνος τραυματισμού!

Προσέχετε την περιοχή εργασίας του μαχαιριού κοπής. Μην πλησιάζετε ποτέ τα χέρια και τα πόδια σας κοντά ή κάτω από τα περιστρεφόμενα μέρη. Μην αγγίζετε ποτέ το περιστρεφόμενο μαχαίρι κοπής. Κρατάτε πάντοτε απόσταση από το άνοιγμα εξαγωγής. Θα πρέπει να διατηρείτε πάντοτε επαρκή απόσταση ασφαλείας.



Εργάζεστε πάντοτε με το φως της ημέρας ή σε συνθήκες καλού τεχνητού φωτισμού.

Κατά την οδήγηση εκτός του χλοοτάπητα ή όταν δεν πραγματοποιείται κοπή χόρτου, θα πρέπει τα μαχαίρια κοπής να αποσυμπλέκονται και το σύστημα κοπής να ρυθμίζεται στην υψηλότερη θέση κοπής.

Τα αντικείμενα που ενδεχομένως είναι ενσωματωμένα στο χλοοτάπητα (συστήματα ποτίσματος, πάσσαλοι, βαλβίδες νερού, βάσεις θεμελίωσης, ηλεκτρικά καλώδια κ.λπ.) πρέπει να παρακάμπτονται. Μην περνάτε ποτέ πάνω από τέτοια αντικείμενα.

Κατά την οδήγηση, κρατάτε το τιμόνι πάντα σταθερά με τα δύο χέρια. Ιδιαίτερη προσοχή απαιτείται κατά την οδήγηση επάνω σε επιφάνειες χλοοτάπητα και σε άλλες ανώμαλες επιφάνειες, καθώς το τιμόνι μπορεί να κινηθεί αυτόνομα λόγω των ποικίλων ανωμαλιών του εδάφους.

**Κίνδυνος τραυματισμού στα χέρια και τα δάχτυλα!**

Εάν κατά τη λειτουργία διαπιστωθεί βλάβη στο ρεζερβουάρ, την τάπα ή τα εξαρτήματα ροής καυσίμου (σωληνάκια καυσίμου), ο κινητήρας εσωτερικής καύσης θα πρέπει να θεθεί αμέσως εκτός λειτουργίας. Στη συνέχεια, θα πρέπει να απευθυνθείτε σε εμπροχικό αντιπρόσωπο. Η STIHL προτείνει τον εμπροχικό αντιπρόσωπο STIHL.

Προσέξτε τις κοιλότητες (όπως λάκκοι) στο έδαφος και άλλα μη ορατά επικίνδυνα σημεία. Τα εμπόδια δεν γίνονται εύκολα αντιληπτά στο ψηλό χόρτο.

Διατηρείτε πάντοτε την ταχύτητα ανάλογα με τις συνθήκες.

Χρησιμοποιείτε το εργαλείο με ιδιαίτερη προσοχή, όταν εργάζεστε κοντά σε πλαγιές, σε χωματερές απορριμμάτων, στις άκρες του οικοπέδου, σε τάφρους και δεξαμενές. Ειδικότερα, θα πρέπει να τηρείτε επαρκή απόσταση από αυτά τα επικίνδυνα σημεία.

Ιδιαίτερη προσοχή απαιτείται σε σημεία με δύσκολη ορατότητα, σε θάμνους, δέντρα και άλλα εμπόδια, πίσω από τα οποία μπορεί να υπάρχουν ζώα ή άτομα, και ειδικότερα παιδιά.

Ακινητοποιήστε αμέσως το χλοοκοπτικό τρακτέρ και τα μαχαίρια κοπής όταν στο χώρο κοπής εισέλθει κάποιο άτομο.

Παρατηρείτε πάντοτε την περιοχή μπροστά από το όχημα. Προσέχετε πάντοτε για τυχόν εμπόδια, ώστε να μπορείτε να τα αποφεύγετε έγκαιρα.

Εάν εργάζεστε στο πλαίσιο ομάδας, ενημερώστε έγκαιρα τα άλλα μέλη της ομάδας σας για τις εργασίες που πρόκειται να εκτελέσετε. Τηρείτε αποστάσεις ασφαλείας!

Πριν από κάθε αλλαγή κατεύθυνσης θα πρέπει να ελαττώνεται η ταχύτητα, έτσι ώστε ο χειριστής να διατηρεί ανά πάσα στιγμή τον έλεγχο του εργαλείου και να αποφευχθεί τυχόν ανατροπή του χλοοκοπτικού τρακτέρ.

Κατά τη χρήση κοντά σε οδούς και όταν διασχίζετε δρόμους με κυκλοφορία οχημάτων, θα πρέπει να προσέχετε τους άλλους χρήστες του οδικού δικτύου.

Πριν από κάθε οπισθοπορεία, θα πρέπει να ελέγχετε την περιοχή πίσω από το χλοοκοπτικό τρακτέρ. Επίσης, θα πρέπει να αποσυμπλέκετε το προσαρμοζόμενο μηχανήμα, εάν υπάρχει. Μην κόβετε ποτέ το χόρτο με όπισθεν, παρά μόνο εάν αυτό είναι απολύτως απαραίτητο. Δίνετε ιδιαίτερη προσοχή κατά την κοπή χόρτου με οπισθοπορεία και ελέγχετε σχολαστικά όλη την περιοχή πίσω από το χλοοκοπτικό τρακτέρ, πριν από την έναρξη των εργασιών κοπής.

Ιδιαίτερη προσοχή απαιτείται κατά την κοπή χόρτου κοντά σε δρόμους, ποδηλατόδρομους και πεζοδρόμια. Τα κομμάτια που εκσφενδονίζονται μπορεί να προκαλέσουν σοβαρούς τραυματισμούς και ζημιές.

Εκκενώνετε το χορτοσυλλέκτη μόνο από το κάθισμα του οδηγού.

Πριν από την εκκένωση του χορτοσυλλέκτη, θα πρέπει να αποσυμπλέκετε τα μαχαίρια κοπής και να περιμένετε μέχρι να ακινητοποιηθούν τελείως.

Εάν το χλοοκοπτικό τρακτέρ χρησιμοποιείται σε συνδυασμό με προσαρμοζόμενα μηχανήματα, ακολουθείτε πάντοτε τις οδηγίες και τις υποδείξεις ασφαλείας που συνοδεύουν τα προσαρμοζόμενα μηχανήματα.

Θέστε εκτός λειτουργίας το σύστημα μετάδοσης κίνησης, σβήστε τον κινητήρα εσωτερικής καύσης και περιμένετε μέχρι να ακινητοποιηθούν τελείως τα μαχαίρια κοπής. Στη συνέχεια, ενεργοποιήστε το φρένο στάθμευσης και αφαιρέστε το κλειδί μίζας:

- όταν μεταφέρετε το εργαλείο ή απομακρύνετε από αυτό.
- πριν προβείτε στην απομάκρυνση αντικειμένων που έχουν φρακάρει στον αγωγό εξαγωγής.
- πριν ελέγξετε, καθαρίσετε ή εκτελέσετε εργασίες στο χλοοκοπτικό τρακτέρ.
- όταν τα μαχαίρια κοπής έρθουν σε επαφή με ένα ξένο σώμα. Εξετάστε το εργαλείο και το κοπτικό εργαλείο για τυχόν ζημιές και αναθέστε σε ειδικό την εκτέλεση των απαραίτητων εργασιών επισκευής πριν από την επανεκκίνηση. Ελέγξτε στα μοντέλα RT 5112 Z, RT 6112 ZL, RT 6127 ZL επιπλέον τη θέση τοποθέτηση των μαχαριών κοπής – το σύστημα κοπής δεν πρέπει να έχει συμπλεχθεί εάν οι λάμες βρίσκονται μεταξύ τους σε μία γωνία διαφορετική από αυτή που περιγράφεται στο κεφάλαιο «Συντήρηση μαχαριών κοπής». (⇒ 15.13)
- σε περίπτωση που το εργαλείο αρχίσει να δονείται ασυνήθιστα. Απαιτείται άμεσος έλεγχος.

Θέστε εκτός λειτουργίας τον κινητήρα εσωτερικής καύσης και περιμένετε μέχρι να ακινητοποιηθούν τελείως τα μαχαίρια κοπής:

- πριν από την πλήρωση καυσίμου
- πριν από την αφαίρεση του χορτοσυλλέκτη,

- πριν το άνοιγμα του καλύμματος του κινητήρα.

### Οδήγηση με Tempomat:

Η ενεργοποίηση του Tempomat σε βρεγμένο ή ανώμαλο έδαφος, καθώς και κατά την έλξη φορτίων, αυξάνει τον κίνδυνο ατυχήματος.

Κατά την απενεργοποίηση του Tempomat το χλοοκοπτικό τρακτέρ φρενάρει απότομα.

Το Tempomat είναι ένα βοήθημα που σας υποστηρίζει στην οδήγηση. Την ευθύνη για την ταχύτητα κίνησης και το έγκαιρο φρενάρισμα φέρει αποκλειστικά ο χρήστης.

Το Tempomat δεν αντιδρά στα εμπόδια ή στην μεταβαλλόμενη σύσταση του εδάφους. Εάν δεν μπορείτε να αποφύγετε ένα εμπόδιο με την επιλεγμένη ταχύτητα κίνησης, θα πρέπει να απενεργοποιήσετε το Tempomat.

### Εργασίες σε πλαγιές:

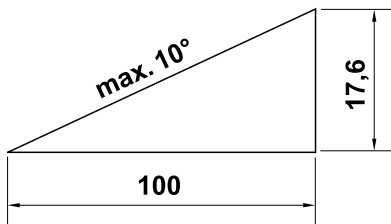
Οι πλαγιές είναι μία από τις βασικές αιτίες πρόκλησης ατυχημάτων, τα οποία οφείλονται στην απώλεια ελέγχου του χλοοκοπτικού τρακτέρ με αποτέλεσμα την ανατροπή του. Αυτό μπορεί να οδηγήσει σε σοβαρούς τραυματισμούς ή ακόμα και σε θάνατο.

Δεν υπάρχει «ασφαλής» πλαγιά. Η οδήγηση σε πλαγιές με χορτάρι απαιτεί ιδιαίτερη προσοχή.

Για λόγους ασφαλείας, το εργαλείο δεν πρέπει να χρησιμοποιείται σε πλαγιές με κλίση μεγαλύτερη από 10° (17,6 %).

### Κίνδυνος τραυματισμών!

Η κλίση πλαγιές κατά 10° αντιστοιχεί σε κάθετη υψομετρική διαφορά 17,6 cm σε οριζόντια επιφάνεια μήκους 100 cm.



Για να εξασφαλιστεί επαρκής λίπανση του κινητήρα εσωτερικής καύσης, θα πρέπει κατά τη χρήση του εργαλείου σε πλαγιές να τηρούνται επιπλέον οι υποδείξεις που αναφέρονται στις συνοδευτικές οδηγίες χρήσης του κινητήρα εσωτερικής καύσης.

Εάν δεν μπορείτε να ανεβείτε την πλαγιά με όπισθεν ή εάν δεν είστε βέβαιοι ως προς την ασφάλεια, συνιστάται να μην κινηθείτε σε αυτή την επιφάνεια.

Θα πρέπει να αποφεύγεται η εκκίνηση ή η ακινητοποίηση σε κατηφορική κλίση.

Μην χρησιμοποιείτε το εργαλείο σε σημεία όπως πλαγιές ή τάφρους, όπου υπάρχει κίνδυνος να ανατραπεί ή να ολισθήσει. Ο κίνδυνος ανατροπής ή ολίσθησης αυξάνεται όταν το έδαφος είναι μαλακό ή υγρό.

Στις πλαγιές θα πρέπει να κινείστε κατά μήκος. Στην κάθετη κίνηση υπάρχει αυξημένος κίνδυνος ανατροπής.

Κατά την οδήγηση σε πλαγιές, μην αλλάζετε απότομα την ταχύτητα ή την κατεύθυνση. Η εργασία υπό παρόμοιες συνθήκες απαιτεί προσεκτικό, ήρεμο και σταθερό χειρισμό του χλοοκοπτικού τρακτέρ.

Οι αλλαγές κατεύθυνσης σε πλαγιές θα πρέπει να αποφεύγονται. Εκτελείτε ελιγμούς στις πλαγιές μόνο εάν αυτό είναι αναπόφευκτο. Εάν είναι δυνατό, οδηγείτε αργά διατηρώντας μεγάλη ακτίνα ως προς την κατεύθυνση καθόδου.

Μην κόβετε βρεγμένο χόρτο, ιδιαίτερα σε πλαγιές, καθώς το βρεγμένο χόρτο μειώνει την πρόσφυση των τροχών στο έδαφος. Υπάρχει κίνδυνος ολίσθησης του χλοοκοπτικού τρακτέρ, με αποτέλεσμα την απώλεια ελέγχου από το χειριστή.

Κατά την κίνηση σε πλαγιές δεν επιτρέπεται να απασφαλιστεί το κιβώτιο μετάδοσης μέσω της ελεύθερης λειτουργίας του κιβωτίου.

Κατά το χειρισμό των προσαρμοζόμενων μηχανημάτων σε πλαγιές, απαιτείται ιδιαίτερη προσοχή (διαφορετική κατανομή βάρους στο εργαλείο).

Εάν οι τροχοί χάσουν την πρόσφυση τους ή εάν το εργαλείο ακινητοποιηθεί ενώ κινείται ανηφορικά σε πλαγιά, θα πρέπει να αποσυμπλέξετε τα μαχαίρια κοπής ή το προσαρμοζόμενο μηχανήμα. Στη συνέχεια, απομακρυνθείτε από την πλαγιά αργά διατηρώντας ευθεία κατεύθυνση.

Μην επιχειρήσετε ποτέ να σταθεροποιήσετε το χλοοκοπτικό τρακτέρ στηρίζοντάς το με το πόδι στο έδαφος.

Το βάρος του χορτοσυλλέκτη αυξάνει τον κίνδυνο ανατροπής του εργαλείου, ιδιαίτερα όταν ο χορτοσυλλέκτης είναι γεμάτος.

Μην εκκενώνετε ή ανασηκώνετε ποτέ το χορτοσυλλέκτη σε κεκλιμένο έδαφος.

Λόγω αυξημένου κινδύνου ατυχήματος δεν επιτρέπεται να χρησιμοποιηθεί το Tempomat:

- σε περιπτώσεις που δεν επιτρέπουν την οδήγηση με σταθερή ταχύτητα (π. χ. βρεγμένο έδαφος ή πλαγιά).
- σε ολισθηρά εδάφη. Οι τροχοί μπορεί να χάσουν την πρόσφυση και το εργαλείο μπορεί να εκτραπεί.
- σε συνθήκες κακής ορατότητας (π. χ. σε ομίχλη, δυνατή βροχή ή τη νύχτα).

### Ρυμούλκηση φορτίων:

Ιδιαίτερη προσοχή απαιτείται κατά τη ρυμούλκηση φορτίων, ώστε να αποφευχθεί ο κίνδυνος σοβαρών ή ακόμα και θανατηφόρων τραυματισμών εξαιτίας της ανατροπής του χλοοκοπτικού τρακτέρ.

Για τη μεταφορά αντικειμένων, χρησιμοποιήστε μόνο τον πρόσθετο εξοπλισμό που έχει εγκριθεί από τη STIHL. Δεν επιτρέπεται η μεταφορά στο χλοοκοπτικό τρακτέρ, στο χορτοσυλλέκτη ή επάνω σε αυτόν.

Για τη ρυμούλκηση φορτίων χρησιμοποιήστε μόνο τον κοτσαδόρο. Σε καμία περίπτωση τα φορτία δεν πρέπει να αναρτηθούν στο περίβλημα του άξονα ή σε κάποιο άλλο σημείο επάνω από τον κοτσαδόρο.

Στο κεφάλαιο «Ρυμούλκηση φορτίων» παρατίθενται στοιχεία που αφορούν τα φορτία έλξης και στήριξης. (⇒ 13.11)

Η υπέρβαση των αναφερόμενων φορτίων είναι επικίνδυνη και μπορεί να προκαλέσει ζημιές στο εργαλείο (κινητήρα εσωτερικής καύσης, κιβώτιο μετάδοσης κ.λπ.).

Τα φορτία θα πρέπει κατά τη μεταφορά σε κατωφέρεις να προσαρμόζονται έτσι, ώστε να εξασφαλίζεται ο ασφαλής χειρισμός του χλοοκοπτικού τρακτέρ (π.χ. φρένα, αλλαγή κατεύθυνσης, εκκίνηση).

Ελέγξτε εάν τα φορτία είναι στερεωμένα σωστά και σταθερά. Για τη στερέωση φορτίων χρησιμοποιήστε ιμάντες πρόσδεσης.

Διασφαλίστε εξισορροπημένη κατανομή φορτίων.

Χρησιμοποιήστε κατάλληλα πρόσθετα αντίβαρα (πρόσθετος εξοπλισμός), εάν αυτό περιγράφεται στις οδηγίες χρήσης του προσαρμοζόμενου μηχανήματος.

Μην οδηγείτε κλειστά στις στροφές. Απαιτείται ιδιαίτερη προσοχή στην οπισθοπορεία.

Μην αλλάζετε απότομα ταχύτητα ή κατεύθυνση.

### Ακίνητοποίηση και στάθμευση:

Το χλοοκοπτικό τρακτέρ θα πρέπει να σταθμεύεται μόνο επάνω σε επίπεδη επιφάνεια.

Βεβαιωθείτε ότι το χλοοκοπτικό τρακτέρ έχει ακίνητοποιηθεί τελείως πριν αποβιβαστείτε.



Δώστε προσοχή στην περιστροφή του κοπτικού εργαλείου, θα χρειαστούν μερικά δευτερόλεπτα για την πλήρη ακίνητοποίησή του.

Πριν απομακρυνθείτε από το κάθισμα του οδηγού, αποσυμπλέξτε τα μαχαίρια κοπής ή τη μετάδοση κίνησης στα προσαρμοζόμενα μηχανήματα, κατεβάστε το σύστημα κοπής και όλα τα προσαρμοζόμενα μηχανήματα, φέρτε όλους τους μοχλούς στις νεκρές θέσεις, ενεργοποιήστε το φρένο στάθμευσης, σβήστε τον κινητήρα εσωτερικής καύσης και αφαιρέστε το κλειδί μίζας.

Φυλάξτε το κλειδί μίζας σε σημείο όπου θα έχουν πρόσβαση μόνο εξουσιοδοτημένα άτομα.

## 4.8 Συντήρηση και επισκευές



Πριν από την έναρξη των εργασιών καθαρισμού, ρύθμισης, επισκευής και συντήρησης, σταθμεύστε το εργαλείο σε σταθερό και επίπεδο έδαφος, ενεργοποιήστε το φρένο στάθμευσης, σβήστε τον κινητήρα εσωτερικής καύσης και περιμένετε μέχρι να κρυώσει και επίσης αφαιρέστε το κλειδί μίζας.

Αφήστε το εργαλείο να κρυώσει πριν ξεκινήσετε τις εργασίες στον κινητήρα εσωτερικής καύσης, την πολλαπλή εξάτμισης και το σιγαστήρα εξάτμισης. Αυτό ισχύει επίσης και για όλες τις εργασίες συντήρησης που εκτελούνται στο σύστημα κοπής. Ενδέχεται να παρουσιαστούν θερμοκρασίες 80° C ή μεγαλύτερες. **Κίνδυνος εγκαυμάτων!**

Η απευθείας επαφή με το λιπαντικό κινητήρα μπορεί να είναι επικίνδυνη. Εξάλλου δεν επιτρέπεται να χυθεί το λιπαντικό κινητήρα. Η STIHL προτείνει να αναθέσετε την πλήρωση του λιπαντικού κινητήρα ή την αλλαγή λιπαντικού κινητήρα στον εμπορικό αντιπρόσωπο της STIHL.

### Καθαρισμός:

Μετά τη λειτουργία, θα πρέπει να καθαριστεί ολόκληρο το χλοοκοπτικό τρακτέρ και τα προσαρμοζόμενα μηχανήματα. Ειδικότερα, θα πρέπει να αφαιρεθούν όλα τα υπολείμματα χόρτου, διότι η υγρασία που περιέχεται σε αυτά προκαλεί βλάβες μακροπρόθεσμα.

Η STIHL συνιστά να μην χρησιμοποιείτε μηχανήματα καθαρισμού υψηλής πίεσης. (⇒ 15.2)

Αφαίρεση συστήματος κοπής για τις εργασίες καθαρισμού. Μην καθαρίζετε ποτέ το σύστημα κοπής με δέσμη νερού (π. χ. λάστιχο ποτίσματος) ή περνώντας επάνω από λακκούβες με νερό.

Για εργασίες καθαρισμού (π.χ. στο πλαίσιο του χλοοκοπτικού τρακτέρ), δεν πρέπει να πλησιάζετε ποτέ κοντά σε τάφρο ή γωνία.

Για να αποφύγετε τον κίνδυνο πυρκαγιάς, διατηρείτε τον κινητήρα εσωτερικής καύσης, τα πτερύγια ψύξης, τη θήκη μπαταρίας, την περιοχή γύρω από το ρεζερβουάρ καθώς και την εξάτμιση χωρίς χόρτα, φύλλα ή υπολείμματα λιπαντικών (γράσα).

Καθαρίζετε πάντα το χορτοσυλλέκτη.

### Εργασίες συντήρησης:

Επιτρέπεται να εκτελεστούν μόνον οι εργασίες συντήρησης που περιγράφονται στις οδηγίες χρήσης, όλες οι άλλες εργασίες θα πρέπει να ανατεθούν στον εμπορικό αντιπρόσωπο.

Εάν δεν έχετε τις απαιτούμενες γνώσεις και τα βοηθήματα, να απευθύνεστε **πάντα** σε έναν εμπορικό αντιπρόσωπο.

Η STIHL προτείνει, οι εργασίες συντήρησης και οι επισκευές να πραγματοποιούνται μόνο από έναν εμπορικό αντιπρόσωπο STIHL. Οι εμπορικοί αντιπρόσωποι STIHL παρακολουθούν τακτικά εκπαιδευτικά σεμινάρια και έχουν στη διάθεσή τους τις απαραίτητες τεχνικές πληροφορίες.

Χρησιμοποιήστε μόνο εργαλεία, πρόσθετο εξοπλισμό και προσαρμοζόμενα μηχανήματα που έχουν εγκριθεί από την STIHL για αυτό το εργαλείο ή αλλά τεχνικά ίδια εξαρτήματα, διαφορετικά υπάρχει κίνδυνος να προκληθούν ατυχήματα με σωματικές βλάβες και ζημιές στο εργαλείο.

Εάν έχετε απορίες θα πρέπει να απευθυνθείτε σε έναν εμπορικό αντιπρόσωπο.

Τα γνήσια εργαλεία, ο πρόσθετος εξοπλισμός και τα ανταλλακτικά STIHL είναι ειδικά σχεδιασμένα για το εργαλείο και έχουν προσαρμοστεί στις ανάγκες και τις απαιτήσεις του χρήστη. Τα γνήσια ανταλλακτικά STIHL θα τα αναγνωρίσετε από τον κωδικό ανταλλακτικού STIHL, την επιγραφή STIHL και ενδεχομένως από το αναγνωριστικό σήμα ανταλλακτικών STIHL. Στα μικρά εξαρτήματα ενδέχεται να υπάρχει μόνο το σήμα.

Το χλοοκοπτικό τρακτέρ και όλα τα προσαρμοζόμενα μηχανήματα θα πρέπει να ελέγχονται μία φορά ετησίως από εμπορικό αντιπρόσωπο. (⇒ 15.1)

Διατηρείτε τα αυτοκόλλητα υποδείξεων και προειδοποιήσεων πάντοτε καθαρά και ευανάγνωστα. Τα φθαρμένα ή χαμένα αυτοκόλλητα θα πρέπει να αντικαθιστώνται με νέα γνήσια αυτοκόλλητα από τον εμπορικό αντιπρόσωπο STIHL. Σε περίπτωση που ένα εξάρτημα αντικατασταθεί από ένα νέο ανταλλακτικό, φροντίστε να τοποθετήσετε σ' αυτό τα ίδια αυτοκόλλητα.

Για λόγους ασφαλείας, τα εξαρτήματα ροής καυσίμου (σωληνώσεις καυσίμου, βάνα καυσίμου, ρεζερβουάρ, τάπα ρεζερβουάρ, οι συνδέσεις κλπ.) θα πρέπει να ελέγχονται τακτικά από έναν εμπορικό αντιπρόσωπο για τυχόν φθορές ή διαρροές και να αντικαθιστώνται εάν κάτι τέτοιο κρίνεται αναγκαίο από έναν ειδικευμένο τεχνικό (η STIHL προτείνει τον εμπορικό αντιπρόσωπο STIHL).

Πριν ξεκινήσετε τις εργασίες στα ηλεκτρικά εξαρτήματα ή κοντά σε αυτά, θα πρέπει να αποσυνδέσετε το αρνητικό καλώδιο (-) της μπαταρίας.

Το εργαλείο διαθέτει διάφορες διατάξεις ασφαλείας. Αυτές οι διατάξεις δεν επιτρέπεται να αφαιρεθούν ή να τροποποιηθούν (παρακαμφθούν κ.λπ.) και θα πρέπει να ελέγχονται ανά τακτά χρονικά διαστήματα. Οι εργασίες στις διατάξεις ασφαλείας πρέπει να εκτελούνται μόνο από τεχνικό. Η STIHL προτείνει τον εμπορικό αντιπρόσωπο STIHL.

Προσέξτε, η κίνηση ενός κοπτικού εργαλείου μπορεί να οδηγήσει σε περιστροφή των υπόλοιπων κοπτικών εργαλείων.

Διατηρείτε πάντοτε καλά σφιγμένα όλα τα παξιμάδια, τους πείρους και τις βίδες, και ειδικότερα τις βίδες στερέωσης του μαχαιριού. Έτσι, θα διασφαλίζετε την ασφαλή λειτουργία του εργαλείου σας.

Αντικαταστήστε αμέσως, για λόγους ασφαλείας, όλα τα μέρη που έχουν φθαρεί ή υποστεί ζημιά.

Ελέγχετε τακτικά τη διάταξη του χορτοσυλλέκτη (π.χ. χορτοσυλλέκτης, αγωγός εξαγωγής) για τυχόν φθορές, βλάβες ή μειωμένη λειτουργικότητά του.

Οι εργασίες κάτω από το εργαλείο απαιτούν ιδιαίτερη προσοχή λόγω του βάρους του χλοοκοπτικού τρακτέρ. Στην περίπτωση αυτή, απευθυνθείτε στον εμπορικό αντιπρόσωπο. Η STIHL προτείνει τον εμπορικό αντιπρόσωπο STIHL. Αυτός διαθέτει κατάλληλη ράμπα εργασιών ή υδραυλικό ανυψωτικό.

Ελέγξτε την ασφαλή εφαρμογή των εμπρός και πίσω τροχών.

Διατηρείτε το χλοοκοπτικό τρακτέρ και τα προσαρμοζόμενα μηχανήματα πάντοτε σε άριστη κατάσταση λειτουργίας. Όλες οι διατάξεις ασφαλείας πρέπει να είναι τοποθετημένες και να βρίσκονται σε άριστη κατάσταση λειτουργίας.

Δώστε προσοχή στη σωστή πίεση των ελαστικών. Δεν επιτρέπεται η υπέρβαση της πίεσης ελαστικών που αναφέρεται στις οδηγίες χρήσης.

Οι εργασίες στα μαχαίρια κοπής θα πρέπει να γίνονται με χρήση χοντρών γαντιών εργασίας καθώς και με ιδιαίτερη προσοχή.

Ελέγχετε σε τακτά χρονικά διαστήματα τη λειτουργία του φρένου και εάν χρειαστεί ζητήστε από ειδικό να πραγματοποιήσει όλες τις απαιτούμενες ρυθμίσεις ή εργασίες συντήρησης. Η STIHL προτείνει τον εμπορικό αντιπρόσωπο STIHL.

### Ηλεκτρικό σύστημα και μπαταρία:

Για να αποφύγετε τη δημιουργία σπινθήρων από βραχυκύκλωμα, θα πρέπει πρώτα να αποσυνδέετε το αρνητικό καλώδιο (-) της μπαταρίας και να το συνδέετε πάντοτε τελευταίο.



Μην καπνίζετε όταν πραγματοποιείτε εργασίες στην μπαταρία. Κρατήστε μακριά από την μπαταρία τυχόν σπινθήρες, ανοικτή φλόγα και άλλες πηγές θερμότητας.

Απαιτείται ιδιαίτερη προσοχή όταν χρησιμοποιείτε καλώδια βοηθητικής εκκίνησης. Τηρείτε τις αντίστοιχες υποδείξεις για να αποφύγετε τις ζημιές στο χλοοκοπτικό τρακτέρ (πίεστε τη μίζα το πολύ για 10 δευτερόλεπτα). (⇒ 13.2)

Για τη φόρτιση της μπαταρίας με τη βοήθεια άλλων συστημάτων φόρτισης, ακολουθήστε τις υποδείξεις που αναφέρονται στο κεφάλαιο «Φόρτιση μπαταρίας». (⇒ 15.21)

Μην ανοίγετε ποτέ την μπαταρία και μην επιτρέπετε να πέσει στο δάπεδο.

Φορτίζετε την μπαταρία πάντα σε κλειστό, στεγνό και καλά αεριζόμενο χώρο που προστατεύεται από τις καιρικές συνθήκες.

Μην βραχυκυκλώνετε τις συνδέσεις της μπαταρίας.

Οι μπαταρίες που παρουσιάζουν παραμόρφωση ή ζημιά (διαρροή) δεν πρέπει να χρησιμοποιούνται αλλά να αντικαθίστανται και να απορρίπτονται με τρόπο φιλικό προς το περιβάλλον. Ακολουθήστε τους εκάστοτε τοπικούς κανονισμούς.

Οι ελαττωματικές μπαταρίες ενδέχεται να παρουσιάσουν διαρροή υγρών. Αποφύγετε την επαφή! Σε περίπτωση τυχαίας επαφής, ξεπλύνετε με νερό. Εάν τα υγρά έρθουν σε επαφή με τα μάτια, ζητήστε επιπλέον ιατρική βοήθεια. Οι διαρροές υγρών μπαταρίας μπορεί να προκαλέσουν δερματικούς ερεθισμούς και ποικίλα εγκαύματα.

Εξετάζετε τακτικά με οπτικό έλεγχο το καλώδιο σύνδεσης της μπαταρίας για τυχόν ζημιές. Αναθέστε σε τεχνικό την αντικατάσταση των καλωδίων που έχουν υποστεί φθορές.

Σε καμία περίπτωση δεν πρέπει να γεφυρώνονται οι ασφάλειες. Μην τοποθετείτε ποτέ μια ασφάλεια με ρεύμα (Amperes) που διαφέρει από το προβλεπόμενο.

### 4.9 Αποθήκευση σε μεγαλύτερα διαστήματα παύσης της λειτουργίας

Αφήστε τον κινητήρα εσωτερικής καύσης να κρυώσει πριν αποθηκεύσετε το εργαλείο σε έναν κλειστό χώρο.

Φυλάσσετε το χλοοκοπτικό τρακτέρ, με άδειο ρεζερβουάρ, και τα καύσιμα σε ασφαλισμένο και καλά αεριζόμενο χώρο.

Μην αποθηκεύετε ποτέ το εργαλείο με βενζίνη στο ρεζερβουάρ καυσίμου στον εσωτερικό χώρο κτιρίου, εάν υπάρχει

πιθανότητα οι αναθυμιάσεις του καυσίμου να έρθουν σε επαφή με ανοικτή φλόγα ή σπινθήρες.

Σε περίπτωση που πρέπει να εκκενωθεί το ρεζερβουάρ καυσίμου (π.χ. ακινητοποίηση πριν από τη χειμερινή παύση), θα πρέπει η εκκένωση να γίνει σε έναν εξωτερικό χώρο (αδειάστε το ρεζερβουάρ π.χ. λειτουργώντας τον κινητήρα εσωτερικής καύσης σε έναν εξωτερικό χώρο).

Το εργαλείο θα πρέπει να φυλάσσεται μόνον σε ασφαλή για τη λειτουργία του κατάσταση.

Το κλειδί μίζας πρέπει να αφαιρείται πάντοτε και να φυλάσσεται σε ασφαλές μέρος, προκειμένου να αποφεύγεται η μη εξουσιοδοτημένη ή ακατάλληλη χρήση από άλλα άτομα, ιδιαίτερα παιδιά.

Καθαρίστε σχολαστικά το χλοοκοπτικό τρακτέρ πριν από την αποθήκευση (π.χ. χειμερινή παύση εργασιών). Τα ξερά υπολείμματα χόρτου και τα φύλλα κοντά στο σιγαστήρα της εξάτμισης είναι εύφλεκτα. **Κίνδυνος ανάφλεξης!**

Αφήστε το εργαλείο να κρυώσει τελείως, πριν το σκεπάσετε.

Εκτελέστε όλες τις απαραίτητες εργασίες συντήρησης πριν την αποθήκευση του εργαλείου. (⇒ 15.1)

Εάν το χλοοκοπτικό τρακτέρ τεθεί εκτός λειτουργίας για μεγάλο χρονικό διάστημα, θα πρέπει να αποσυνδέσετε τα καλώδια της μπαταρίας. Η STIHL συνιστά να αφαιρέσετε την μπαταρία και να την αποθηκεύσετε πλήρως φορτισμένη σε κλειστό χώρο χωρίς υγρασία. (⇒ 15.19)

Βεβαιωθείτε ότι οι μπαταρίες προστατεύονται από μη εξουσιοδοτημένη χρήση (π.χ. από παιδιά).

## 4.10 Απόρριψη

Τα προϊόντα απόρριψης όπως παλιά λάδια ή καύσιμα, χρησιμοποιημένα λιπαντικά, φίλτρα, μπαταρίες και άλλα παρόμοια αναλώσιμα υλικά μπορεί να βλάψουν τον άνθρωπο, τα ζώα και το περιβάλλον και γι' αυτόν το λόγο θα πρέπει να απορρίπτονται με τον προβλεπόμενο τρόπο.

Απευθυνθείτε σε ένα κέντρο ανακύκλωσης ή στον εμπορικό αντιπρόσωπο για να μάθετε πώς γίνεται η σωστή απόρριψη αυτών των προϊόντων. Η STIHL προτείνει τον εμπορικό αντιπρόσωπο STIHL.

Βεβαιωθείτε ότι θα παραδώσετε το αχρηστευμένο εργαλείο για απόρριψη σε ένα σημείο συλλογής απορριμμάτων. Αχρηστεύστε το εργαλείο πριν την απόρριψη. Για την αποφυγή ατυχημάτων, αφαιρέστε το κλειδί μίζας, την μπαταρία και τα καλώδια μπουζί του κινητήρα εσωτερικής καύσης.

### **Κίνδυνος τραυματισμού από το μαχαίρι κοπής!**

Μην αφήνετε χωρίς επιτήρηση το χλοοκοπτικό τρακτέρ, ακόμα και όταν είναι αχρηστευμένο. Βεβαιωθείτε ότι το εργαλείο και ιδιαίτερα τα μαχαίρια κοπής φυλάσσονται μακριά από παιδιά.

Η μπαταρία θα πρέπει να απορρίπτεται χωριστά από το εργαλείο. Οι μπαταρίες πρέπει να απορρίπτονται με τρόπο φιλικό προς το περιβάλλον.

## 5. Περιγραφή συμβόλων



### **Προσοχή!**

Πριν από τη θέση σε λειτουργία, διαβάστε προσεκτικά τις οδηγίες χρήσης και τις υποδείξεις ασφαλείας.



### **Κίνδυνος τραυματισμών!**

Αφαιρέστε το κλειδί μίζας πριν από κάθε εργασία στο κοπτικό εργαλείο και την εκτέλεση εργασιών συντήρησης και καθαρισμού.



### **Προσοχή!**

Δώστε προσοχή σε εκσφενδονιζόμενα αντικείμενα - τηρείτε αποστάσεις και κρατήστε μακριά τα τρίτα άτομα.



### **Προσοχή!**

Προσέξτε για εκσφενδονιζόμενα αντικείμενα όταν ο κινητήρας εσωτερικής καύσης λειτουργεί – εργάζεστε πάντοτε με τοποθετημένο το χορτοσυλλέκτη ή τον εκτροπέα (προαιρετικός εξοπλισμός).



### **Κίνδυνος τραυματισμών!**

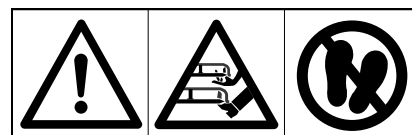
Μην κινείστε και μην εκτελείτε εργασίες κοπής χόρτου σε πλαγιές με κλίση πάνω από 10° (17%).

### **Κίνδυνος ανατροπής!**



### **Κίνδυνος τραυματισμών!**

Κρατήστε τα τρίτα άτομα μακριά από την επικίνδυνη περιοχή.



### **Προσοχή!**

Μην φέρνετε ποτέ τα χέρια σας στην περιοχή λειτουργίας των μαχαιριών κοπής όταν ο κινητήρας εσωτερικής καύσης βρίσκεται σε λειτουργία.

### **Κίνδυνος τραυματισμών!**

Μην πατάτε επάνω στο σύστημα κοπής.



### **Κίνδυνος εγκαυμάτων!**

Μην ακουμπάτε τις θερμές επιφάνειες, κρατήστε απόσταση. Ορισμένα μέρη του κινητήρα εσωτερικής καύσης, και ειδικότερα ο σιγαστήρας της εξάτμισης, μπορεί να υπερθερμανθούν.





### **Κίνδυνος δηλητηριάσεων!**

Εάν νοιώθετε αδιαθεσία, έχετε πονοκέφαλο, πρόβλημα όρασης (π.χ. περιορισμένο οπτικό πεδίο), προβλήματα ακοής, ναυτία, μειωμένη συγκέντρωση, διακόψτε αμέσως την εργασία. Αυτά τα συμπτώματα μπορεί να οφείλονται μεταξύ άλλων από την υψηλή συγκέντρωση καυσαερίων.



### **Κίνδυνος θάνατος!**

Η βενζίνη είναι ένα τοξικό και εξαιρετικά εύφλεκτο υλικό. Κρατήστε τη βενζίνη μακριά από σπίθες, ανοικτή φλόγα, φλόγες διαρκείας, πηγές θερμότητας και άλλες πηγές ανάφλεξης. Μην καπνίζετε!

Πριν από τον ανεφοδιασμό καυσίμου σβήστε τον κινητήρα εσωτερικής καύσης και αφήστε τον να κρυώσει.

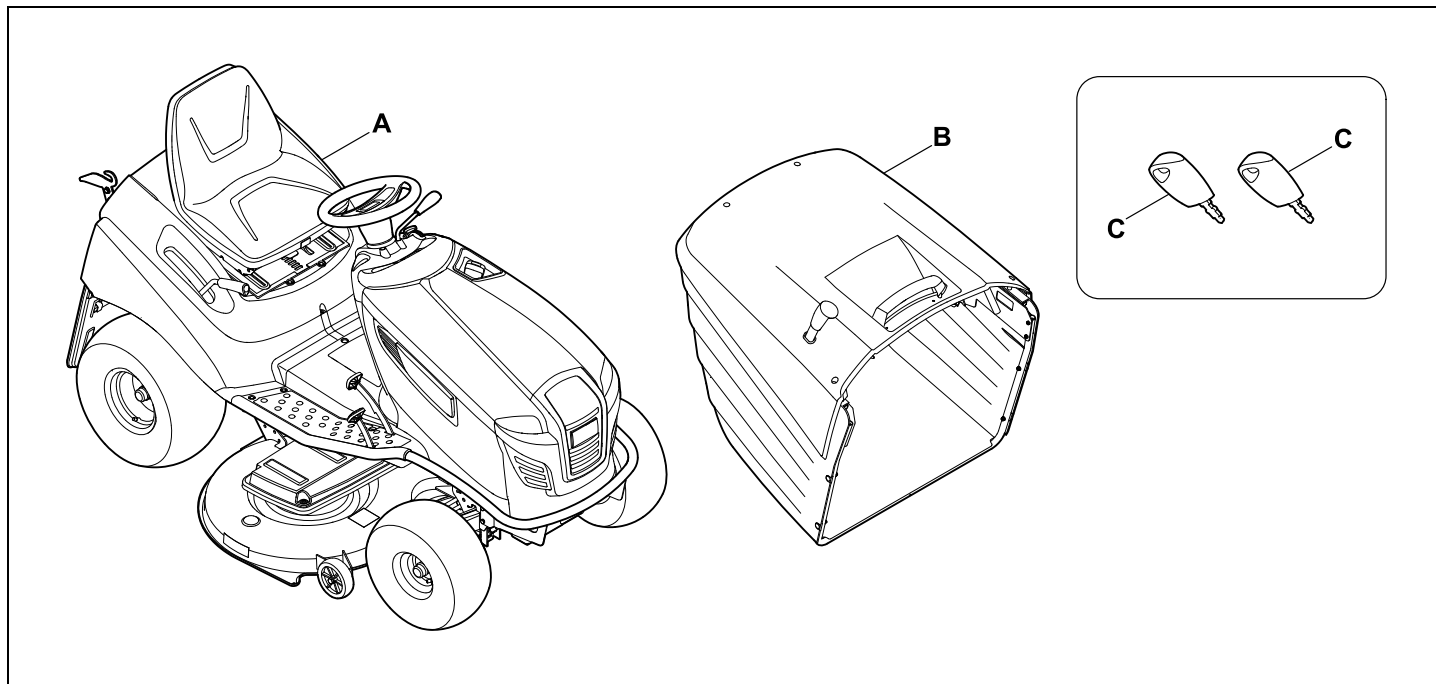


### **Κίνδυνος τραυματισμών!**

Κατά την εργασία δημιουργείται θόρυβος. Ο θόρυβος μπορεί να βλάψει την ακοή.

Φοράτε μέσα προστασίας ακοής.

## 6. Περιεχόμενα συσκευασίας



Αρ.	Περιγραφή	Τεμ.
A	Βασικό εργαλείο	1
B	Χορτοσυλλέκτης	1
C	Κλειδί μίζας	2
-	Οδηγίες χρήσης	1
-	Οδηγίες χρήσης του κινητήρα εσωτερικής καύσης	1

## 7. Εργασίες πριν από την έναρξη λειτουργίας για πρώτη φορά

### ⚠ Προειδοποίηση!

Πριν από κάθε εργασία στο χλοοκοπτικό τρακτέρ, διαβάστε με προσοχή και ακολουθήστε τις υποδείξεις του κεφαλαίου "Για τη δική σας ασφάλεια"! (⇒ 4.)

- Έλεγχος στάθμης πλήρωσης του λιπαντικού κινητήρα. (⇒ 15.8)
- Πλήρωση καυσίμου. (⇒ 13.1)
- Άνοιγμα βάνας καυσίμου. (⇒ 15.7)
- Βελτίωση πίεσης ελαστικών. (⇒ 15.16)

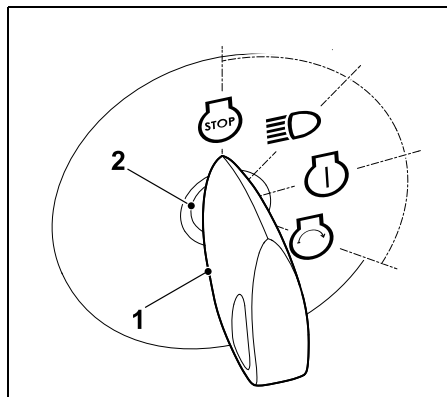
## 8. Χειριστήρια

### 8.1 Κλειδαριά μίζας με διακόπτη φώτων

Η κλειδαριά μίζας χρησιμεύει για την ενεργοποίηση και την απενεργοποίηση του κινητήρα εσωτερικής καύσης και των προβολέων.

### ⚠ Αποφύγετε τις ζημιές στο εργαλείο!

Η τοποθέτηση και αφαίρεση του κλειδιού μίζας γίνεται μόνο στη θέση "Κινητήρας εσωτερικής καύσης εκτός λειτουργίας". Ο χειρισμός της κλειδαριάς μίζας επιτρέπεται μόνο με το κατάλληλο κλειδί μίζας - μην χρησιμοποιείτε ποτέ κατσαβίδι ή άλλα παρόμοια αντικείμενα.



Τοποθετήστε το κλειδί μίζας (1) στην κλειδαριά μίζας (2).

Γυρίζοντας το κλειδί μίζας μπορείτε να επιλέξετε τις παρακάτω **τέσσερις** θέσεις:

### Κινητήρας εσωτερικής καύσης εκτός λειτουργίας:

Ο κινητήρας εσωτερικής καύσης είναι απενεργοποιημένος ή τίθεται εκτός λειτουργίας. Τα φώτα είναι απενεργοποιημένα, το κλειδί μίζας μπορεί να αφαιρεθεί.

### Φως ενεργοποιημένο (λειτουργία με φως):

Κινητήρας εσωτερικής καύσης σε λειτουργία:

Τα φώτα ενεργοποιούνται, ο κινητήρας εσωτερικής καύσης συνεχίζει να λειτουργεί.

Απενεργοποιημένος κινητήρας εσωτερικής καύσης:

Τα φώτα ενεργοποιούνται.

### Ανάφλεξη εντός λειτουργίας ή κινητήρας εσωτερικής καύσης σε λειτουργία:

Η ανάφλεξη ενεργοποιείται, τα φώτα απενεργοποιούνται.

Μετά την εκκίνηση, το κλειδί μίζας επανέρχεται αυτομάτως σε αυτή τη θέση και ο κινητήρας εσωτερικής καύσης τίθεται σε λειτουργία.

### Θέση του κινητήρα εσωτερικής καύσης εντός λειτουργίας:

Εάν πληρούνται όλες οι προϋποθέσεις ασφαλείας για την εκκίνηση και εάν το κλειδί μίζας τοποθετηθεί σε αυτή τη θέση, τότε ο κινητήρας εσωτερικής καύσης τίθεται σε λειτουργία.

Όταν αφήνετε το κλειδί μίζας αυτό θα επιστρέψει πάλι στη θέση «Κινητήρας εσωτερικής καύσης σε λειτουργία».

### i Υπόδειξη

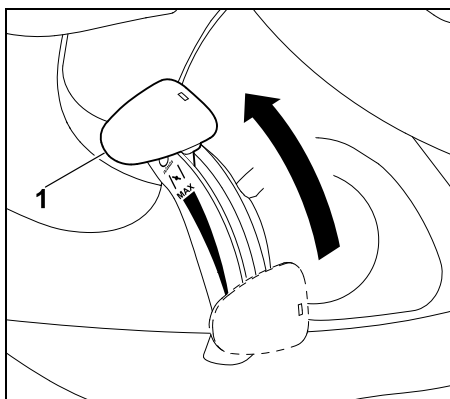
Όταν ο κινητήρας εσωτερικής καύσης είναι απενεργοποιημένος, θα ακουστεί στις θέσεις «Ενεργοποίηση φώτων» και «Ενεργοποίηση ανάφλεξης» ένας ήχος μετά από 20 δευτερόλεπτα. Το ακουστικό σήμα υποδεικνύει ότι αποφορτίζεται η μπαταρία. Για την απενεργοποίηση του ήχου γυρίστε το κλειδί μίζας στη θέση «Απενεργοποίηση κινητήρα εσωτερικής καύσης» ή θέστε σε λειτουργία τον κινητήρα εσωτερικής καύσης.

### 8.2 Μοχλός γκαζιού με λειτουργία τσοκ (RT 5097)

Για την εκκίνηση του κρύου κινητήρα εσωτερικής καύσης φέρτε στο μοντέλο RT 5097 τον μοχλό γκαζιού στη θέση τσοκ.

**i** Θέσετε εντός λειτουργίας τον ζεστό κινητήρα εσωτερικής καύσης χωρίς τσοκ (μοχλός γκαζιού στη θέση MAX). Μόλις ο κινητήρας εσωτερικής καύσης πάρει μπροστά, απενεργοποιήστε το τσοκ. Μη φέρνετε ποτέ τον μοχλό γκαζιού στη θέση τσοκ όταν ο κινητήρας εσωτερικής καύσης βρίσκεται σε λειτουργία.

**Θέση τσοκ:**

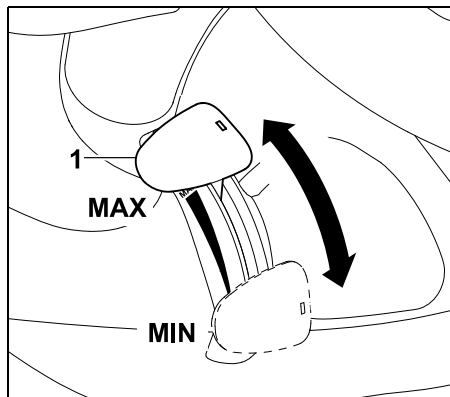


Πιέστε το μοχλό γκαζιού (1) τελείως μπροστά, στη θέση τσοκ (προσέξτε τη θέση ασφάλισης).

**Ρύθμιση στροφών κινητήρα εσωτερικής καύσης:**



**i** Για τις εργασίες κοπής και την εκκίνηση του κινητήρα εσωτερικής καύσης φέρτε τον μοχλό γκαζιού στη θέση MAX.



Εάν ο μοχλός γκαζιού (1) μετακινηθεί προς τα κάτω ή προς τα επάνω, τότε μεταβάλλονται οι στροφές του κινητήρα εσωτερικής καύσης καθώς και οι στροφές των μαχαιριών κοπής με τη σύμπλεξη του συστήματος κοπής.

**Θέση MAX:**

Εάν πιέσετε το μοχλό γκαζιού (1) προς τα μπροστά, προς την ένδειξη MAX, τότε αυξάνονται οι στροφές του κινητήρα εσωτερικής καύσης.

**Θέση MIN:**

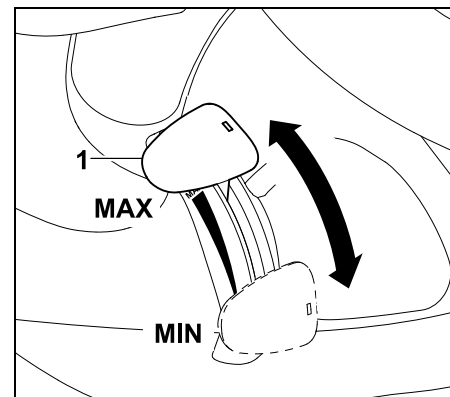
Εάν πιέσετε το μοχλό γκαζιού (1) προς τα πίσω, προς την ένδειξη MIN, τότε μειώνονται οι στροφές του κινητήρα εσωτερικής καύσης.

**8.3 Μοχλός γκαζιού (RT 5097 Z, RT 5112 Z, RT 6112 ZL, RT 6127 ZL)**

**Ρύθμιση στροφών κινητήρα εσωτερικής καύσης:**



**i** Για τις εργασίες κοπής και την εκκίνηση του κινητήρα εσωτερικής καύσης φέρτε τον μοχλό γκαζιού στη θέση MAX. Για την εκκίνηση του κρύου κινητήρα εσωτερικής καύσης πιέστε επιπλέον το πλήκτρο τσοκ.



Εάν ο μοχλός γκαζιού (1) μετακινηθεί προς τα κάτω ή προς τα επάνω, τότε μεταβάλλονται οι στροφές του κινητήρα εσωτερικής καύσης καθώς και οι στροφές των μαχαιριών κοπής με τη σύμπλεξη του συστήματος κοπής.

**Θέση MAX:**

Εάν πιέσετε το μοχλό γκαζιού (1) προς τα μπροστά, προς την ένδειξη MAX, τότε αυξάνονται οι στροφές του κινητήρα εσωτερικής καύσης.

### Θέση MIN:

Εάν πιέσετε το μοχλό γκαζιού (1) προς τα πίσω, προς την ένδειξη MIN, τότε μειώνονται οι στροφές του κινητήρα εσωτερικής καύσης.

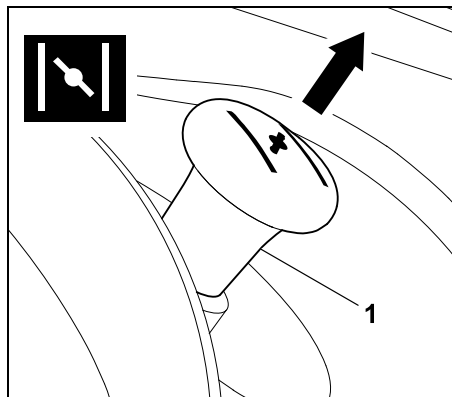
### 8.4 Πλήκτρο τσοκ (RT 5097 Z, RT 5112 Z, RT 6112 ZL, RT 6127 ZL)

Για την εκκίνηση του κρύου κινητήρα εσωτερικής καύσης τα μοντέλα RT 5097 Z, RT 5112 Z, RT 6112 ZL, RT 6127 ZL διαθέτουν ένα πλήκτρο τσοκ.



Θέτετε τον ζεστό κινητήρα εσωτερικής καύσης σε λειτουργία χωρίς τσοκ. Μόλις ο κινητήρας εσωτερικής καύσης τεθεί σε λειτουργία, πιέστε πάλι το πλήκτρο τσοκ στην αρχική του θέση. Μην ενεργοποιείτε ποτέ το τσοκ όταν ο κινητήρας εσωτερικής καύσης βρίσκεται σε λειτουργία.

### Ενεργοποίηση τσοκ:



Πριν από τη διαδικασία εκκίνησης τραβήξτε προς τα έξω το πλήκτρο τσοκ (1) μέχρι τέρματος.

### Απενεργοποίηση τσοκ:

- Πιέστε το πλήκτρο τσοκ μέχρι το τέρμα.

### 8.5 Διακόπτης συστήματος κοπής (RT 5097, RT 5097 Z, RT 5112 Z)

Με τον διακόπτη του συστήματος κοπής μπορείτε, εφόσον ο κινητήρας εσωτερικής καύσης είναι σε λειτουργία, να συμπλέξετε το σύστημα κοπής, τηρώντας όλες τις διατάξεις ασφαλείας (⇒ 12.).

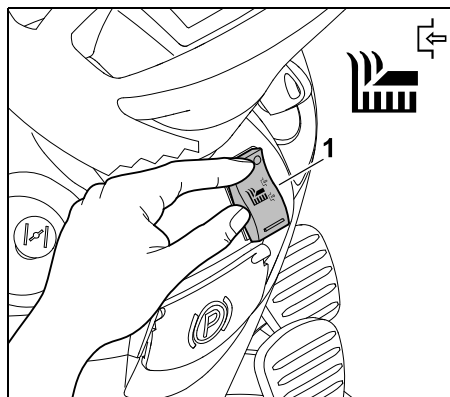


#### Αποφύγετε τις ζημιές στο εργαλείο!

Μην συμπλέκετε τα μαχαίρια κοπής όταν το χόρτο είναι πολύ ψηλό ή όταν έχετε επιλέξει τη χαμηλότερη σκάλα κοπής.

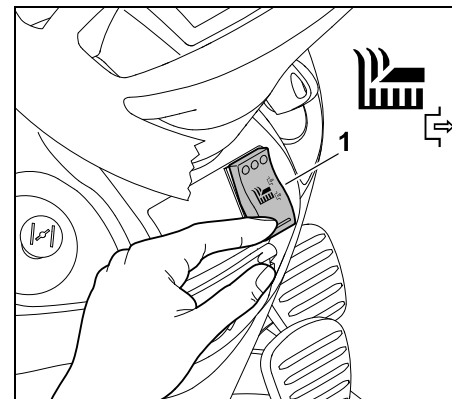
Ενεργοποιείτε το σύστημα κοπής μόνο στις μέγιστες στροφές (μοχλός γκαζιού στη θέση MAX).

### Σύμπλεξη συστήματος κοπής:



Πιέστε το διακόπτη συστήματος κοπής (1) στην επάνω πλευρά μέχρι τέρμα.

### Αποσύμπλεξη συστήματος κοπής:



Πιέστε το διακόπτη συστήματος κοπής (1) στην κάτω πλευρά μέχρι τέρμα.



Εάν χρειαστεί μπορείτε να προγραμματίσετε το ηλεκτρονικό σύστημα έτσι, ώστε το σύστημα κοπής να αποσυμπλέκεται αυτόματα όταν ο χορτοσυλλέκτης έχει γεμίσει. (⇒ 13.8)

### 8.6 Πλήκτρο συστήματος κοπής (RT 6112 ZL, RT 6127 ZL)

Με το πλήκτρο του συστήματος κοπής και όταν ο κινητήρας εσωτερικής καύσης είναι σε λειτουργία, μπορείτε να συμπλέξετε το σύστημα κοπής τηρώντας όλες τις διατάξεις ασφαλείας (⇒ 12.).

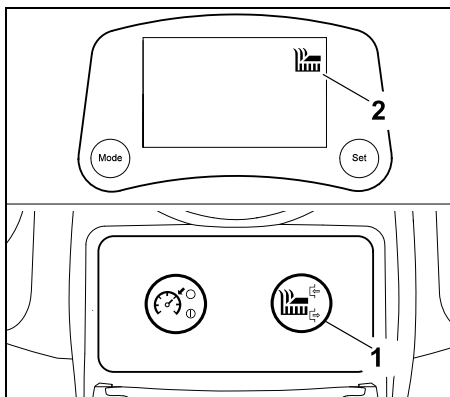


## ! Αποφύγετε τις ζημιές στο εργαλείο!

Μην συμπλέκετε τα μαχαίρια κοπής όταν το χόρτο είναι πολύ ψηλό ή όταν έχετε επιλέξει τη χαμηλότερη σκάλα κοπής.

Ενεργοποιείτε το σύστημα κοπής μόνο στις μέγιστες στροφές (μοχλός γκαζιού στη θέση MAX).

### Σύμπλεξη συστήματος κοπής:



Πιέστε το πλήκτρο συστήματος κοπής (1) για τουλάχιστον 1 δευτερόλεπτο. Το σύστημα κοπής έχει συμπλεχθεί μόλις εμφανιστεί στην οθόνη το σύμβολο "Σύστημα κοπής ενεργοποιημένο" (2).

### Αποσύμπλεξη συστήματος κοπής:

- Πιέστε το πλήκτρο συστήματος κοπής. Το σύστημα κοπής έχει αποσυμπλεχθεί μόλις σβήσει στην οθόνη το σύμβολο "Σύστημα κοπής ενεργοποιημένο".

**i** Εάν χρειαστεί μπορείτε να προγραμματίσετε το ηλεκτρονικό σύστημα έτσι, ώστε το σύστημα κοπής να αποσυμπλέκεται αυτόματα όταν ο χορτοσυλλέκτης έχει γεμίσει. (⇒ 13.8)

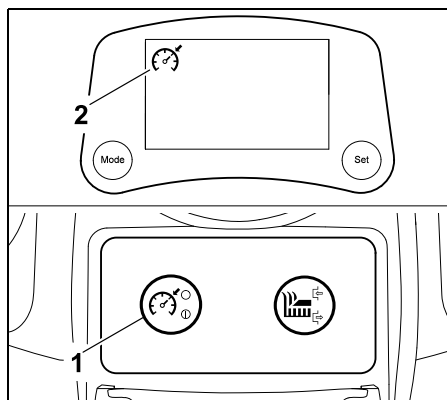
## 8.7 Πλήκτρο Tempomat (RT 6112 ZL, RT 6127 ZL)

Με το πλήκτρο Tempomat σταθεροποιείται κατά τη διάρκεια πορείας η τρέχουσα ταχύτητα κίνησης.



**i** Κατά την οπισθοπορεία και μετά το πάτημα του πλήκτρου Tempomat εμφανίζεται στην οθόνη το σύμβολο «Ενεργό Tempomat», όμως το Tempomat παραμένει ανενεργό για λόγους ασφαλείας.

### Ενεργοποίηση Tempomat:



Επιλέξτε την επιθυμητή ταχύτητα κίνησης και πιέστε το πλήκτρο Tempomat (1) για τουλάχιστον 1 δευτερόλεπτο. Το Tempomat είναι ενεργοποιημένο μόλις εμφανιστεί στην οθόνη το σύμβολο «Tempomat ενεργό» (2). Το πεντάλ επιτάχυνσης έχει σταθεροποιηθεί και διατηρείται η τρέχουσα ταχύτητα κίνησης. Μπορείτε να απομακρύνετε το πόδι σας από το πεντάλ επιτάχυνσης.

### Απενεργοποίηση Tempomat:



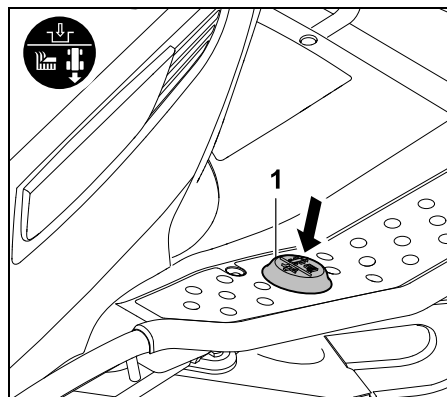
## Κίνδυνος τραυματισμών!

Πριν από την απενεργοποίηση του Tempomat θα πρέπει να φέρετε το πόδι σας στο πεντάλ επιτάχυνσης για να αποφύγετε την επαναφορά του πεντάλ επιτάχυνσης και το απότομο φρενάρισμα του χλοοκοπτικού τρακτέρ.

- Πιέστε το πλήκτρο Tempomat, σηκωθείτε από το κάθισμα οδηγού ή πατήστε το πεντάλ του φρένου. Το Tempomat είναι απενεργοποιημένο μόλις σβήσει το σύμβολο «Tempomat ενεργό».

## 8.8 Διακόπτης ασφαλείας για την κοπή χόρτου με οπισθοπορεία

Με τον διακόπτη ασφαλείας για την κοπή του χόρτου με οπισθοπορεία, το σύστημα κοπής αποδεσμεύεται για την κοπή του χόρτου με την όπισθεν. Εάν δεν γίνει η αποδέσμευση, τότε το σύστημα κοπής αποσυμπλέκεται αυτόματα για λόγους ασφαλείας.



Για την κοπή του χόρτου με οπισθοπορεία, πιέστε μία φορά με το αριστερό πόδι τον διακόπτη ασφαλείας για την κοπή του χόρτου με οπισθοπορεία (1) μέσα σε ένα ορισμένο χρονικό διάστημα.

### 1 Απελευθέρωση με το σύστημα κοπής σε αποσύμπλεξη:

- Ακινητοποιήστε το χλοοκοπτικό τρακτέρ και επιλέξτε την κατεύθυνση οπισθοπορείας. (⇒ 8.9)
- Πιέστε μία φορά με το αριστερό πόδι τον διακόπτη ασφαλείας για την κοπή χόρτου με οπισθοπορεία.
- Συμπλέξτε το σύστημα κοπής και ξεκινήστε την κοπή χόρτου με οπισθοπορεία μέσα σε 5 δευτερόλεπτα. (⇒ 8.5), (⇒ 8.6)  
Η αποδέσμευση μπορεί να γίνει μέχρι και 1 δευτερόλεπτο μετά την εκκίνηση.

### 2 Απελευθέρωση με το σύστημα κοπής σε σύμπλεξη:

- Κατά τη λειτουργία κοπής του χόρτου, πιέστε μία φορά με το αριστερό πόδι τον διακόπτη ασφαλείας για την κοπή χόρτου με οπισθοπορεία.
- Μεταβείτε μέσα σε 5 δευτερόλεπτα στην κατεύθυνση οπισθοπορείας και συνεχίστε την κοπή του χόρτου. (⇒ 8.8)  
Η αποδέσμευση μπορεί να γίνει μέχρι και 1 δευτερόλεπτο μετά την αλλαγή της κατεύθυνσης πορείας.

**i** Εάν ο διακόπτης ασφαλείας για την κοπή χόρτου με οπισθοπορεία κρατηθεί πατημένος, θα πρέπει να απελευθερώσετε τον διακόπτη εντός του χρονικού διαστήματος και να τον πιέσετε εκ νέου.

Στα μοντέλα RT 6112 ZL και RT 6127 ZL αναβοσβήνει στην οθόνη το σύμβολο «Κοπή χόρτου με οπισθοπορεία» μέχρι την απελευθέρωση. (⇒ 10.5)

## 8.9 Μοχλός επιλογής κατεύθυνσης κίνησης

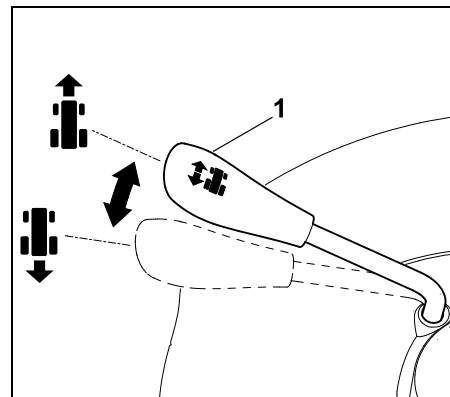
Με τη βοήθεια του μοχλού επιλογής κατεύθυνσης κίνησης επιλέγετε την κατεύθυνση κίνησης.



Το χλοοκοπτικό τρακτέρ κινείται προς την επιλεγμένη κατεύθυνση όταν πιέσετε το πεντάλ επιτάχυνσης - το εργαλείο δεν τίθεται σε κίνηση μόνο με το πάτημα του μοχλού επιλογής κατεύθυνσης κίνησης.

**i** Εάν το πεντάλ επιτάχυνσης είναι πατημένο, τότε, για λόγους ασφαλείας, ο μοχλός επιλογής κατεύθυνσης κίνησης είναι κλειδωμένος. Πριν από το πάτημα του μοχλού επιλογής κατεύθυνσης κίνησης θα πρέπει να απελευθερώσετε το πεντάλ επιτάχυνσης.

## Επιλογή κατεύθυνσης κίνησης:



### Κατεύθυνση κίνησης μπροστά:

Φέρτε το μοχλό επιλογής κατεύθυνσης κίνησης (1) στην μπροστινή θέση.

### Κατεύθυνση κίνησης όπισθεν:

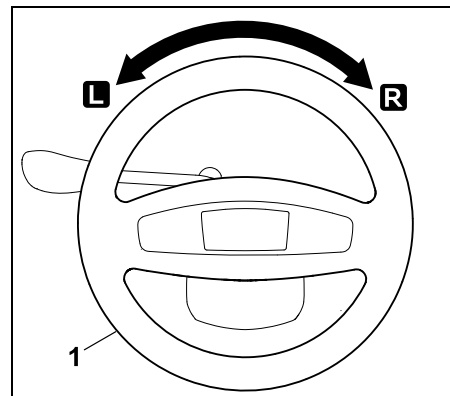
Φέρτε το μοχλό επιλογής κατεύθυνσης κίνησης (1) στην πίσω θέση.

## 8.10 Τιμόνι



### Προειδοποίηση!

Κατά την οδήγηση κρατάτε το τιμόνι πάντα σταθερά με τα δύο χέρια.



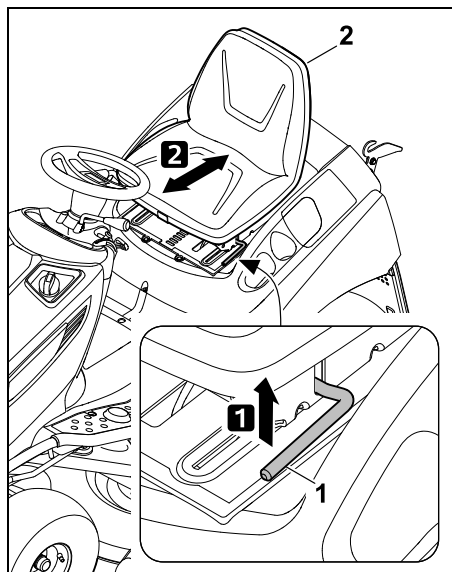
Γυρίζοντας το τιμόνι (1) προς τα αριστερά **L** ή προς τα δεξιά **R** αλλάζει η κατεύθυνση κίνησης του εργαλείου. Όσο περισσότερο στρίβει το τιμόνι (1), τόσο μικρότερη γίνεται η ακτίνα στροφής.

### 8.11 Ρύθμιση καθίσματος οδηγού

Το κάθισμα οδηγού μπορεί να ρυθμιστεί σε επτά θέσεις ασφάλισης.



- Θέστε τον κινητήρα εσωτερικής καύσης εκτός λειτουργίας. (⇒ 13.3)
- Καθίστε στο κάθισμα του οδηγού και φέρτε το δεξί χέρι στο τιμόνι.



**1** Με το αριστερό χέρι ανασηκώστε τον μοχλό ρύθμισης του καθίσματος οδηγού (1) και κρατήστε τον σε αυτήν τη θέση.

**2** Φέρτε το κάθισμα οδηγού (2) στην επιθυμητή θέση. Στη συνέχεια απελευθερώστε τον μοχλό ρύθμισης καθίσματος οδηγού και αφήστε τον να ασφαλίσει.

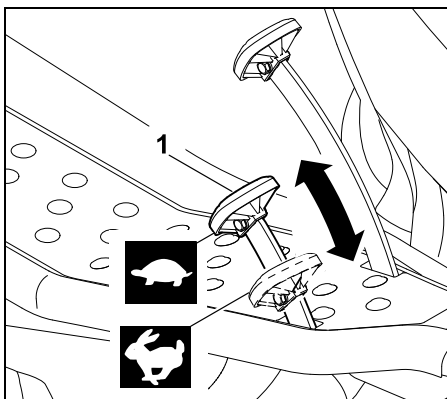
### 8.12 Πεντάλ επιτάχυνσης



#### Υπόδειξη

Πριν πατήσετε το πεντάλ επιτάχυνσης, προσέξτε ώστε να έχετε επιλέξει τη σωστή κατεύθυνση κίνησης στο μοχλό επιλογής κατεύθυνσης κίνησης. Εάν έχει ενεργοποιηθεί το φρένο στάθμευσης ή εάν έχει πατηθεί το πεντάλ φρένων, δεν μπορείτε να πατήσετε το πεντάλ επιτάχυνσης.

Με τη βοήθεια του πεντάλ επιτάχυνσης προσαρμόζεται αδιαβάθμητα η ταχύτητα κίνησης.



#### Ακινητοποίηση:

Απομακρύνετε το πόδι σας από το πεντάλ επιτάχυνσης (μετάδοση κίνησης) (1).

#### Μείωση ταχύτητας:

Μειώστε την πίεση που ασκείτε στο πεντάλ επιτάχυνσης (1).



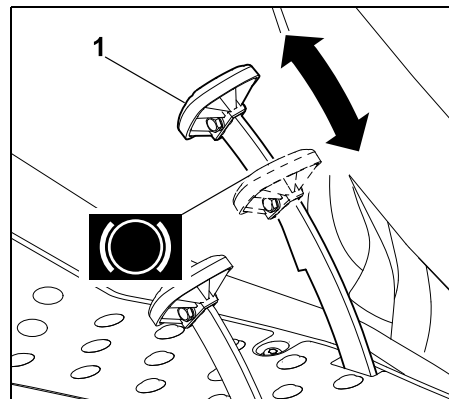
### Αύξηση ταχύτητας:

Πιέστε προς τα κάτω το πεντάλ επιτάχυνσης (1).



### 8.13 Πεντάλ φρένων

Με τη βοήθεια του πεντάλ φρένων μπορείτε να φρενάρετε το εργαλείο κατά την κίνηση ή να το ασφαλίσετε όταν είναι ακινητοποιημένο.



Πατήστε το πεντάλ φρένων (1). Όσο πιο δυνατά πατηθεί το πεντάλ φρένων (1), τόσο περισσότερο φρενάρουν οι πίσω τροχοί.



#### Προειδοποίηση!

Μην θέτετε ποτέ σε λειτουργία το εργαλείο εάν το φρένο είναι ελαττωματικό.

Τα ελαττωματικά φρένα πρέπει να επισκευάζονται ή να ρυθμίζονται πάντοτε από εμπορικό αντιπρόσωπο.

Η STIHL προτείνει τον εμπορικό αντιπρόσωπο STIHL.

Μην επιχειρήσετε ποτέ να συντηρήσετε μόνοι σας το φρένο.



## 8.14 Φρένο στάθμευσης

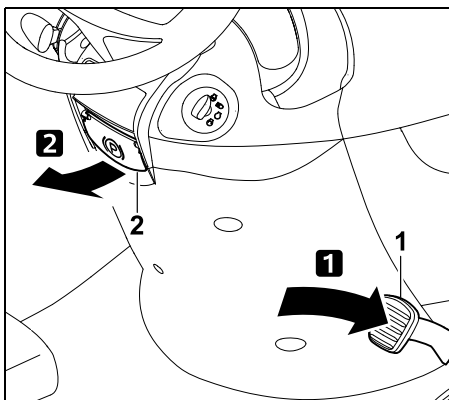
Με την ενεργοποίηση του φρένου στάθμευσης μπλοκάρονται οι πίσω τροχοί του εργαλείου. Έτσι αποτρέπεται η ακούσια μετακίνηση του χλοοκοπτικού τρακτέρ (π.χ. σε πλαγιές κ.λπ.).



### **i** Υπόδειξη

Πριν από την ενεργοποίηση του φρένου στάθμευσης θα πρέπει να ελέγχεται πάντα η λειτουργία του φρένου.

### Ενεργοποίηση φρένου στάθμευσης:



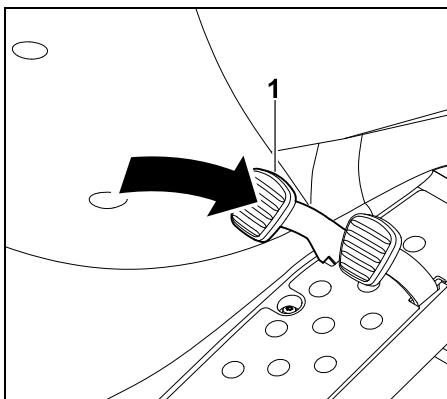
Με το πόδι πατήστε μέχρι τέρμα και κρατήστε πατημένο το πεντάλ φρένων (1). Τραβήξτε προς τα επάνω τον μοχλό του φρένου στάθμευσης (2).

- Απελευθερώστε πάλι το πεντάλ φρένων.  
Το φρένο στάθμευσης έχει ενεργοποιηθεί όταν το πεντάλ φρένων παραμένει πατημένο.

Στα μοντέλα RT 6112 ZL και RT 6127 ZL εμφανίζεται στην οθόνη το σύμβολο «Φρένο στάθμευσης ενεργοποιημένο» όταν ενεργοποιηθεί το φρένο στάθμευσης. (⇒ 10.5)

- Αφήστε τον μοχλό του φρένου στάθμευσης. Αυτός διπλώνει προς τα κάτω. Οι πίσω τροχοί μπλοκάρονται.

### Λύσιμο φρένου στάθμευσης:



Με το πόδι πατήστε στιγμιαία το πεντάλ φρένων (1).

- Το πεντάλ φρένων επανέρχεται στην αρχική του θέση (σε κατάσταση απελευθέρωσης). Το φρένο στάθμευσης απενεργοποιείται και οι πίσω τροχοί δεν είναι πλέον μπλοκαρισμένοι.

## 8.15 Μοχλός ρύθμισης ύψους κοπής

Με τη βοήθεια του μοχλού ρύθμισης ύψους κοπής, μπορείτε να ρυθμίσετε 8 σκάλες κοπής.



## Ανύψωση και χαμήλωμα του συστήματος κοπής:

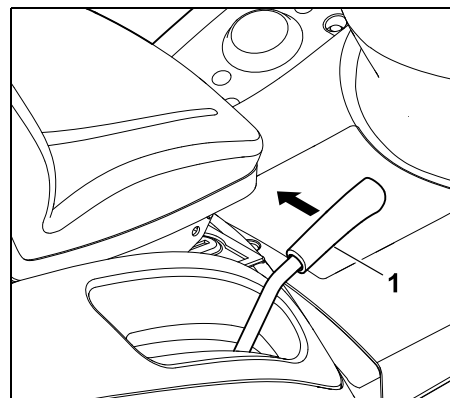


### Κίνδυνος τραυματισμών!

Κατά τη διαδικασία ρύθμισης κρατήστε σταθερά το μοχλό ρύθμισης ύψους κοπής. Ρυθμίζετε το ύψος κοπής μόνον όταν το χλοοκοπτικό τρακτέρ είναι ακινητοποιημένο.



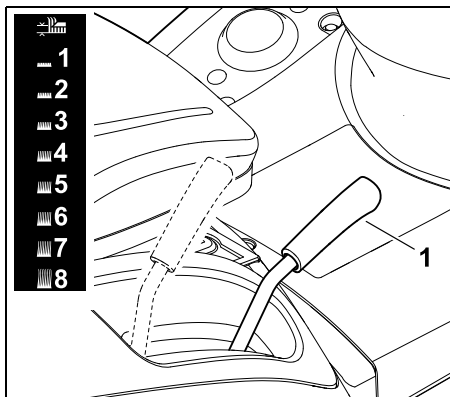
Η απασφάλιση του μοχλού ρύθμισης ύψους κοπής εξαρτάται από το εάν είναι τοποθετημένο ή όχι το σύστημα κοπής.



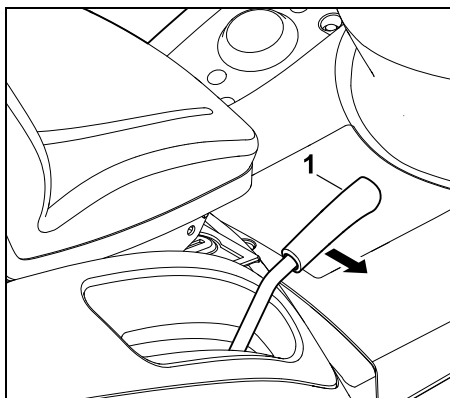
Απασφάλιση μοχλού ρύθμισης ύψους κοπής:

**Με τοποθετημένο το σύστημα κοπής** τραβήξτε το μοχλό ρύθμισης ύψους κοπής (1) προς τα μέσα (προς τη θέση του οδηγού) και κρατήστε τον σε αυτή τη θέση.

**Με αποσυναρμολογημένο το σύστημα κοπής** πιέστε το μοχλό ρύθμισης ύψους κοπής (1) ελαφρά προς τα κάτω και μετά τραβήξτε τον προς τα μέσα (προς τη θέση του οδηγού) και κρατήστε τον σε αυτή τη θέση.



Μετακινήστε τον απασφαλισμένο μοχλό ρύθμισης του ύψους κοπής (1) προς τα επάνω ή προς τα κάτω και ρυθμίστε το επιθυμητό ύψος κοπής.



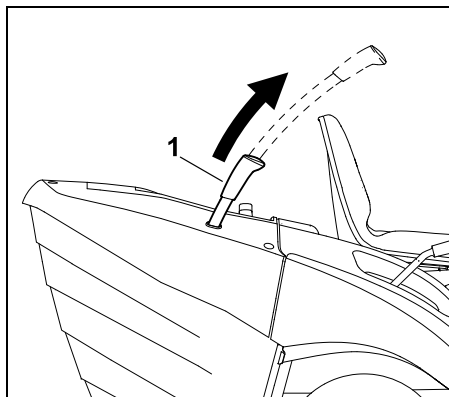
Ασφάλιση μοχλού ρύθμισης ύψους κοπής: Μετακινήστε το μοχλό ρύθμισης ύψους κοπής (1) προς τα έξω, μέχρι να κουμπώσει στην επιλεγμένη θέση ασφάλισης.

## 8.16 Μοχλός εκκένωσης χορτοσυλλέκτη

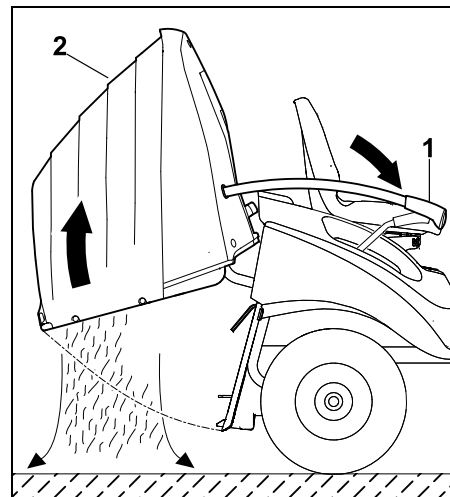
Με τη βοήθεια του μοχλού εκκένωσης χορτοσυλλέκτη, ο χρήστης μπορεί να αδειάσει άνετα το χορτοσυλλέκτη χωρίς να σηκωθεί από το κάθισμα οδηγού.



- Αποσυμπλέξτε το σύστημα κοπής. (⇒ 8.5), (⇒ 8.6)
- Φρενάρετε το εργαλείο μέχρι να ακινητοποιηθεί πλήρως.
- Πατήστε και κρατήστε πιεσμένο το πεντάλ φρένων ή ενεργοποιήστε το φρένο στάθμευσης.



Τραβήξτε τον μοχλό εκκένωσης χορτοσυλλέκτη (1) προς τα επάνω.



Πιέστε τον μοχλό εκκένωσης χορτοσυλλέκτη (1) προς τα μπροστά. Ο χορτοσυλλέκτης (2) αναδιπλώνεται προς τα επάνω και το υλικό κοπής πέφτει κάτω. Στα μοντέλα RT 6112 ZL και RT 6127 ZL εμφανίζεται στην οθόνη το σύμβολο «Ο χορτοσυλλέκτης είναι ανοιγμένος ή λείπει» όταν ο χορτοσυλλέκτης είναι ανοιγμένος προς τα επάνω. (⇒ 10.5)

- Γυρίστε τον μοχλό εκκένωσης χορτοσυλλέκτη αργά προς τα πίσω και κουμπώστε πάλι το χορτοσυλλέκτη στο πίσω μέρος του εργαλείου.
- Πιέστε τον μοχλό εκκένωσης του χορτοσυλλέκτη προς τα κάτω και φέρτε τον στην αρχική θέση.

## 8.17 Μπάρα απασφάλισης χορτοσυλλέκτη

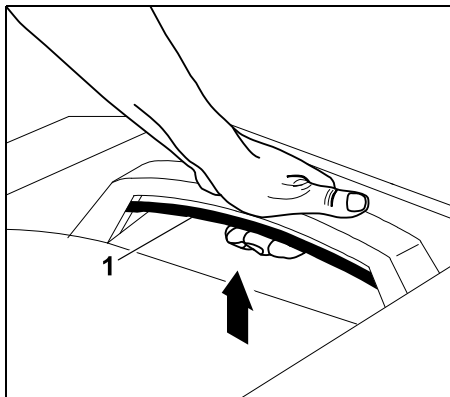


### Προειδοποίηση!

Κατά το χειρισμό της μπάρας απασφάλισης του χορτοσυλλέκτη, προσέξτε ώστε να μην πιαστούν τα δάκτυλά σας.

Η μπάρα απασφάλισης του χορτοσυλλέκτη βρίσκεται κάτω από τη χειρολαβή του χορτοσυλλέκτη. Πριν από την τοποθέτηση ή την αφαίρεση του χορτοσυλλέκτη, πρέπει να τραβήξετε προς τα επάνω και να κρατήσετε σε αυτή τη θέση την μπάρα απασφάλισης του χορτοσυλλέκτη.

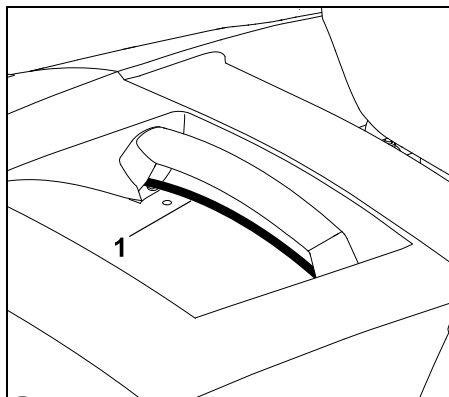
#### Απασφάλιση χορτοσυλλέκτη:



Τραβήξτε την μπάρα απασφάλισης του χορτοσυλλέκτη (1) τελείως προς τα επάνω και κρατήστε τη σε αυτή τη θέση.

- Ο χορτοσυλλέκτης έχει απασφαλίσει και μπορεί να αφαιρεθεί.

#### Ασφάλιση χορτοσυλλέκτη:



Μετά την τοποθέτηση του χορτοσυλλέκτη, αφήστε την τραβηγμένη μπάρα απασφάλισης του χορτοσυλλέκτη (1). Βεβαιωθείτε ότι η ασφάλεια έχει κουμπώσει στη θέση της.

- Μετά την ασφάλιση, ο χορτοσυλλέκτης εφαρμόζει και πάλι στο εργαλείο.

#### 8.18 Μπάρα ελεύθερης λειτουργίας κιβωτίου μετάδοσης

Μπορείτε να αποσυμπλέξετε (π.χ. για να ωθήσετε το εργαλείο) ή να συμπλέξετε (π. χ. για μετάδοση κίνησης) το κιβώτιο μετάδοσης με την μπάρα ελεύθερης λειτουργίας του κιβωτίου μετάδοσης.

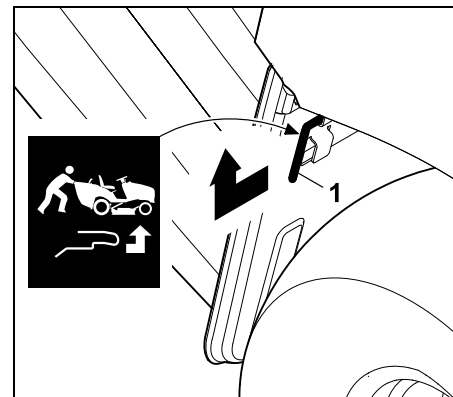


#### Προειδοποίηση! Πιθανότητα τραυματισμών από σύνθλιψη!

Τραβάτε προς τα έξω την μπάρα ελεύθερης λειτουργίας του κιβωτίου μετάδοσης μόνο όταν το εργαλείο βρίσκεται σε επίπεδη επιφάνεια, καθώς το εργαλείο μπορεί να τεθεί αυτόματα σε κίνηση.

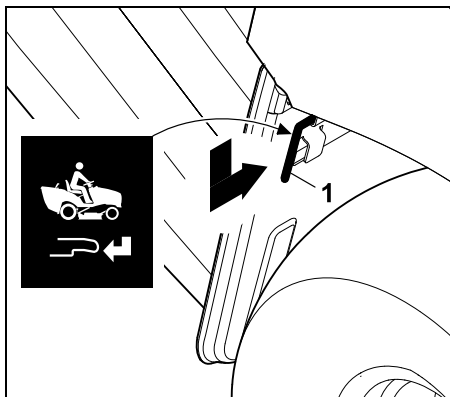
Εάν το εργαλείο τεθεί εκτός λειτουργίας με το κιβώτιο μετάδοσης σε κατάσταση αποσύμπλεξης, θα πρέπει να είναι πάντοτε ενεργοποιημένο το φρένο στάθμευσης.

#### Αποσύμπλεξη κιβωτίου μετάδοσης:



Τραβήξτε προς τα έξω την μπάρα ελεύθερης λειτουργίας του κιβωτίου μετάδοσης (1) και ανασηκώστε την.

## Σύμπλεξη κιβωτίου μετάδοσης:



Ωθήστε προς τα κάτω την μπάρα ελεύθερης λειτουργίας του κιβωτίου μετάδοσης (1) και πιέστε την μέχρι τέρμα προς τα μέσα.

### 8.19 Αισθητήρας στάθμης πλήρωσης (χορτοσυλλέκτης)

Εάν ο χορτοσυλλέκτης γεμίσει, ενεργοποιείται ένας συνεχόμενος ήχος. Με αυτόν τον τρόπο σηματοδοτείται ότι ο χορτοσυλλέκτης πρέπει να εκκενωθεί.

**i** Ο συνεχόμενος ήχος σταματά μετά την αποσύμπλεξη του συστήματος κοπής.

Με την αλλαγή του μήκους του αισθητήρα στάθμης πλήρωσης (χορτοσυλλέκτης) επηρεάζεται η χρονική στιγμή του σήματος για την πλήρωση του χορτοσυλλέκτη.

Έτσι μπορείτε να προσαρμόσετε την πλήρωση του χορτοσυλλέκτη ανάλογα με τη σύσταση του υλικού κοπής.

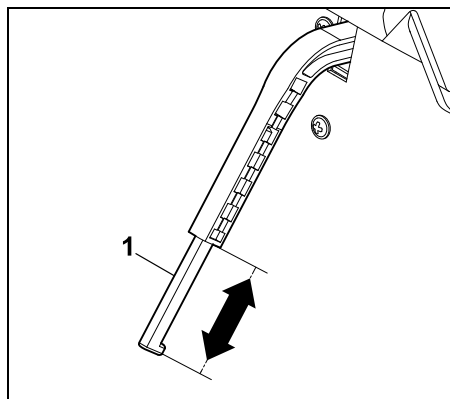
Κατά κανόνα, ένας κοντύτερος αισθητήρας επιφέρει καθυστερημένη ενεργοποίηση του σήματος (ο χορτοσυλλέκτης γεμίζει περισσότερο, το οποίο είναι ιδανικό για πολύ ξερό υλικό κοπής).

Ο αισθητήρας στάθμης πλήρωσης μπορεί να ρυθμιστεί σε 6 διαφορετικές θέσεις.

Κατά την παράδοση του εργαλείου, ο αισθητήρας στάθμης πλήρωσης (χορτοσυλλέκτης) είναι τελείως τραβηγμένος.

### Ρύθμιση αισθητήρα στάθμης πλήρωσης:

- Θέστε τον κινητήρα εσωτερικής καύσης εκτός λειτουργίας. (⇒ 13.3)
- Ενεργοποιήστε το φρένο στάθμευσης. (⇒ 8.14)
- Αφαιρέστε το χορτοσυλλέκτη. (⇒ 13.10)



Αυξήστε ή μειώστε το μήκος του σύρτη (1) του αισθητήρα στάθμης πλήρωσης (χορτοσυλλέκτης) με μετακίνηση κατά τη φορά του βέλους.

- Τοποθετήστε το χορτοσυλλέκτη. (⇒ 13.10)

## 9. Ηλεκτρονικό σύστημα

Το χλοοκοπτικό τρακτέρ είναι εξοπλισμένο με ηλεκτρονικό σύστημα, το οποίο ελέγχει πριν από κάθε εκκίνηση και κατά τη διάρκεια της λειτουργίας όλα τα συστήματα ασφαλείας, εξασφαλίζοντας έτσι μία ασφαλή λειτουργία.

**i** Το ηλεκτρονικό σύστημα των μοντέλων RT 6112 ZL και RT 6127 ZL ελέγχει και την οθόνη. Σε αυτά τα μοντέλα προβάλλονται στην οθόνη πρόσθετες πληροφορίες.

### 9.1 Αυτοδιάγνωση κατά την εκκίνηση

Πριν την εκκίνηση του κινητήρα εσωτερικής καύσης το ηλεκτρονικό σύστημα πραγματοποιεί μία αυτοδιάγνωση. Σε αυτήν τη διαδικασία ελέγχονται οι διακόπτες τα καλώδια κ.λπ. ως προς τη σωστή τους λειτουργία.

### Ενεργοποίηση της αυτοδιάγνωσης:

- Καθίστε στο κάθισμα οδηγού.
- Λύστε το φρένο στάθμευσης. (⇒ 8.14)
- Γυρίστε το κλειδί μίζας στη θέση «Ανάφλεξη ενεργοποιημένη» (⇒ 8.1) – μην πιέζετε κανένα πλήκτρο, κανέναν διακόπτη και κανένα πεντάλ.

### Αυτοδιάγνωση χωρίς σφάλματα:

Ενεργοποιείται ένας σύντομος ήχος – το ηλεκτρονικό σύστημα ενεργοποιείται και το χλοοκοπτικό τρακτέρ είναι έτοιμο προς λειτουργία.

RT 6112 ZL, RT 6127 ZL:

Στην οθόνη εμφανίζονται όλα τα σύμβολα για 2 δευτερόλεπτα. Οι ώρες λειτουργίας εμφανίζονται για 5 δευτερόλεπτα.

- Θέστε τον κινητήρα εσωτερικής καύσης σε λειτουργία. (⇒ 13.2)

### Αυτοδιάγνωση με σφάλματα:

Ενεργοποιείται ένας ήχος διαρκείας ή τρεις διαδοχικοί σύντομοι ήχοι.

Ένας **συνεχόμενος ήχος** σηματοδοτεί μία βλάβη στο ηλεκτρονικό σύστημα ή την λανθασμένη σύνδεση της μπαταρίας.

- Γυρίστε το κλειδί μίζας στη θέση «Απενεργοποίηση κινητήρα εσωτερικής καύσης». (⇒ 8.1)
- Ελέγξτε τη σύνδεση στους πόλους της μπαταρίας και τα καλώδια, εάν χρειάζεται συνδέστε σωστά την μπαταρία. (⇒ 15.19)
- Επαναλάβετε την αυτοδιάγνωση. Εάν ο συνεχόμενος ήχος παραμένει ενεργός και μετά τη σωστή σύνδεση της μπαταρίας, υπάρχει βλάβη στο ηλεκτρονικό σύστημα. Στην περίπτωση αυτή, απευθυνθείτε στον εμπορικό αντιπρόσωπο. Η STIHL προτείνει τον εμπορικό αντιπρόσωπο STIHL.

**Τρεις διαδοχικοί ήχοι** σηματοδοτούν μία βλάβη στο ηλεκτρικό σύστημα (βραχυκύκλωμα) ή στον διακόπτη επαφής καθίσματος. Ο κινητήρας εσωτερικής καύσης δεν μπορεί να τεθεί σε λειτουργία.

RT 6112 ZL, RT 6127 ZL:

Στην οθόνη αναβοσβήνουν τα αντίστοιχα σύμβολα και το κείμενο ERROR.

- Γυρίστε το κλειδί μίζας στη θέση «Απενεργοποίηση κινητήρα εσωτερικής καύσης». (⇒ 8.1)
- Ζητήστε από τον εμπορικό αντιπρόσωπο να εκτελέσει μία αναλυτική διάγνωση. Η STIHL συνιστά τον εμπορικό αντιπρόσωπο STIHL.

## 9.2 Βλάβη στο χλοοκοπτικό τρακτέρ κατά τη λειτουργία

Το ηλεκτρονικό σύστημα εποπτεύει την ασφάλη κατάσταση κατά τη διάρκεια λειτουργίας. Σε περίπτωση βλάβης στο ηλεκτρικό σύστημα (βραχυκύκλωμα, χαλαρωμένος ακροδέκτης, θραύση καλωδίων) ενεργοποιούνται τρεις διαδοχικοί ήχοι.

Ο κινητήρας εσωτερικής καύσης τίθεται εκτός λειτουργίας – στα μοντέλα RT 6112 ZL και RT 6127 ZL αναβοσβήνει το αντίστοιχο σύμβολο και το κείμενο «ERROR» στην οθόνη.

### Συμπεριφορά:

- Γυρίστε το κλειδί μίζας στη θέση «Απενεργοποίηση κινητήρα εσωτερικής καύσης». (⇒ 8.1)
- Ενεργοποιήστε την αυτοδιάγνωση. (⇒ 9.1)

**i** Εάν η βλάβη δεν μπορεί να αποκατασταθεί, απαιτείται μία αναλυτική διάγνωση. Στην περίπτωση αυτή, απευθυνθείτε στον εμπορικό αντιπρόσωπο. Η STIHL προτείνει τον εμπορικό αντιπρόσωπο STIHL.

## 9.3 Βλάβη στο ηλεκτρονικό σύστημα

Σε σπάνιες περιπτώσεις μπορεί να παρουσιαστεί βλάβη του ηλεκτρονικού συστήματος κατά τη διάρκεια λειτουργίας. Ενεργοποιείται ένας συνεχόμενος ήχος και ο κινητήρας εσωτερικής καύσης τίθεται εκτός λειτουργίας.

### Συμπεριφορά:

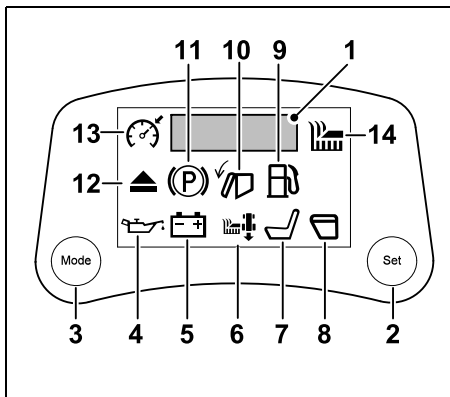
- Γυρίστε το κλειδί μίζας στη θέση «Απενεργοποίηση κινητήρα εσωτερικής καύσης». (⇒ 8.1)
- Ενεργοποιήστε την αυτοδιάγνωση. (⇒ 9.1)
- Θέστε εκ νέου τον κινητήρα εσωτερικής καύσης σε λειτουργία. (⇒ 13.2)

**i** Εάν η βλάβη δεν μπορεί να αποκατασταθεί, απαιτείται μία αναλυτική διάγνωση. Στην περίπτωση αυτή, απευθυνθείτε στον εμπορικό αντιπρόσωπο. Η STIHL προτείνει τον εμπορικό αντιπρόσωπο STIHL.

## 10. Οθόνη RT 6112 ZL, RT 6127 ZL

Στην οθόνη προβάλλονται οι βλάβες, οι πληροφορίες λειτουργίας και οι ενεργές λειτουργίες.

**i** Η οθόνη προστατεύεται από φθορές (π. χ. από το νερό). Σε μεγάλες διακυμάνσεις της θερμοκρασίας και σε υψηλή ατμοσφαιρική υγρασία ενδέχεται να θαμπώσει από τα συμπυκνώματα. Η υγρασία που έχει εισχωρήσει, απομακρύνεται με τη θερμότητα του κινητήρα εσωτερικής καύσης μέσα σε λίγα λεπτά μετά την έναρξη λειτουργίας του χλοοκοπτικού τρακτέρ.



- 1 Ένδειξη 5 ψηφίων (⇒ 10.1)
- 2 Πλήκτρο Set (⇒ 10.2)
- 3 Πλήκτρο Mode (⇒ 10.3)

#### Βλάβες (⇒ 10.4)

- 4 Πολύ χαμηλή πίεση λιπαντικού κινητήρα (RT 6127 ZL)
- 5 Βλάβη μπαταρίας

#### Πληροφορίες λειτουργίας (⇒ 10.5)

- 6 Κοπή χόρτου με οπισθοπορεία
- 7 Το κάθισμα του οδηγού δεν είναι κατεληγμένο
- 8 Ανοικτός χορτοσυλλέκτης ή απουσία χορτοσυλλέκτη
- 9 Ρεζέρβα καυσίμου
- 10 Χορτοσυλλέκτης γεμάτος
- 11 Έχει ενεργοποιηθεί το φρένο στάθμευσης
- 12 Ο αγωγός εξαγωγής έχει αφαιρεθεί

#### Ενεργές λειτουργίες (⇒ 10.6)

- 13 Ενεργό Tempomat
- 14 Ενεργό σύστημα κοπής

### 10.1 Ένδειξη 5 ψηφίων

Η ένδειξη 5 ψηφίων ενημερώνει για τις ώρες λειτουργίας και την τάση μπαταρίας. Επιπλέον, σηματοδοτεί τις βλάβες με την ένδειξη ERROR.

Κατά τη διάρκεια της λειτουργίας μπορούν να εμφανιστούν οι ώρες λειτουργίας και η τάση της μπαταρίας πιέζοντας το πλήκτρο Mode. (⇒ 10.3)

#### Ώρες λειτουργίας:

Ένδειξη των ωρών λειτουργίας του κινητήρα εσωτερικής καύσης σε ολόκληρες ώρες (π. χ. 281 h). Ο μετρητής ωρών λειτουργίας δεν μπορεί να μηδενιστεί.

Βάσει του μετρητή υπολογίζεται η σωστή χρονική στιγμή για τις εργασίες συντήρησης που αναφέρονται στο πρόγραμμα συντήρησης. (⇒ 15.1)

#### Τάση μπαταρίας:

Ένδειξη της τρέχουσας τάσης της μπαταρίας σε Volt (π. χ. 12,0 V).

### 10.2 Πλήκτρο Set

Πιέζοντας το πλήκτρο Set με ενεργοποιημένη την ένδειξη των ωρών λειτουργίας ή της τάσης μπαταρίας γίνεται εναλλαγή στη μόνιμη ένδειξη.

Περιστρέφοντας το κλειδί μίζας στη θέση "Κινητήρας εσωτερικής καύσης εκτός λειτουργίας" γίνεται επαναφορά της προεπιλεγμένης ρύθμισης (ένδειξη ωρών λειτουργίας ή τάσης μπαταρίας για 5 δευτερόλεπτα).

### 10.3 Πλήκτρο Mode

Πιέζοντας το πλήκτρο Mode η ένδειξη πραγματοποιείται εναλλαγή μεταξύ των ενδείξεων:



- 1 Ώρες λειτουργίας [h]
- 2 Τάση μπαταρίας [V]
- 3 καμία ένδειξη

Οι ώρες λειτουργίας και η τάση μπαταρίας εμφανίζονται για 5 δευτερόλεπτα. Για μόνιμη ένδειξη πιέστε το πλήκτρο Set. (⇒ 10.2)

### 10.4 Ένδειξη βλαβών

Σύμβολο Πολύ χαμηλή πίεση λιπαντικού κινητήρα:



Η πίεση λαδιού που απαιτείται για τη σωστή λειτουργία του κινητήρα εσωτερικής καύσης είναι πολύ χαμηλή. Ο κινητήρας εσωτερικής καύσης τίθεται εκτός λειτουργίας μέσα σε 3 δευτερόλεπτα.

#### ! Αποφύγετε τις ζημιές στο εργαλείο!

Η προειδοποίηση της πίεσης λαδιού δεν αποτελεί ένδειξη της στάθμης λαδιού. Για το λόγο αυτό θα πρέπει να ελέγχετε τακτικά τη στάθμη λαδιού.

- Μην προσπαθείτε να θέσετε τον κινητήρα σε λειτουργία.
- Οπτικός έλεγχος για διαρροή λαδιού από τον κινητήρα εσωτερικής καύσης.

- Ελέγξτε τη στάθμη λαδιού, εάν χρειαστεί συμπληρώστε λιπαντικό κινητήρα.

#### Σύμβολο Βλάβη μπαταρίας:



Πολύ χαμηλή τάση μπαταρίας. Η μπαταρία παρουσιάζει βλάβη ή δεν είναι φορτισμένη. Στην οθόνη εμφανίζεται επιπλέον η τρέχουσα τάση σε Volt (π. χ. 10,5 V).

Ο κινητήρας εσωτερικής καύσης σβήνει ή δεν μπορεί να τεθεί σε λειτουργία.

- Μην προσπαθείτε να θέσετε τον κινητήρα σε λειτουργία.
- Ελέγξτε την τάση της μπαταρίας στην οθόνη.
- Ελέγξτε και εάν χρειαστεί αντικαταστήστε τις ασφάλειες. (⇒ 15.20)
- Οπτικός έλεγχος για τυχόν διαρροή υγρών από τη μπαταρία.
- Έλεγχος των συνδέσεων της μπαταρίας για τυχόν διάβρωση.
- Φορτίστε την μπαταρία. (⇒ 15.21)
- Αντικαταστήστε την ελαττωματική μπαταρία. (⇒ 15.19)

### 10.5 Ένδειξη πληροφοριών λειτουργίας



Εάν τα σύμβολα δεν εμφανίζονται ή δεν σβήνουν με τον αναμενόμενο τρόπο, τότε η πιθανή αιτία είναι κάποια βλάβη στον αντίστοιχο διακόπτη, στους ακροδέκτες ή στα καλώδια. Απευθυνθείτε στον εμπορικό σας αντιπρόσωπο. Η STIHL προτείνει τον εμπορικό αντιπρόσωπο STIHL.

#### Σύμβολο Κοπή χόρτου με οπισθοπορεία:



Το σύμβολο εμφανίζεται μόνιμα όταν είναι ενεργοποιημένη η κοπή χόρτου με οπισθοπορεία.

Το σύμβολο αναβοσβήνει όταν πατηθεί ο διακόπτης ασφαλείας για την κοπή χόρτου με οπισθοπορεία ή εάν απαιτείται ενεργοποίηση της κοπής χόρτου με οπισθοπορεία. (⇒ 8.8)

#### Η ένδειξη σβήνει:

- εάν ολοκληρωθεί η κοπή χόρτου με οπισθοπορεία.

#### Εναλλαγή από την ένδειξη που αναβοσβήνει σε μόνιμα αναμμένη ένδειξη:

- εάν ενεργοποιηθεί η κοπή χόρτου με οπισθοπορεία.
- εάν το σύστημα κοπής αποσυμπλεχθεί χειροκίνητα εντός του χρονικού διαστήματος.
- εάν το σύστημα κοπής αποσυμπλεχθεί αυτόματα εάν δεν υπάρχει ενεργοποίηση για την κοπή χόρτου με οπισθοπορεία.

#### Σύμβολο μη κατάληψης θέσης οδηγού:



Η θέση οδηγού δεν είναι κατειλημμένη.

Ο διακόπτης επαφής περιλαμβάνεται στις διατάξεις ασφαλείας (⇒ 12.) του χλοοκοπτικού τρακτέρ.

Εάν εμφανιστεί το σύμβολο «Θέση οδηγού μη κατειλημμένη» στην οθόνη, τότε ο κινητήρας εσωτερικής καύσης δεν μπορεί να τεθεί σε λειτουργία και το σύστημα κοπής δεν μπορεί να συμπλεχθεί εάν δεν έχει ενεργοποιηθεί το φρένο στάθμευσης.

#### Η ένδειξη σβήνει:

- όταν ο χρήστης καθίσει στο κάθισμα οδηγού.

#### Σύμβολο Ανοικτός χορτοσυλλέκτης ή απουσία χορτοσυλλέκτη:



Ο χορτοσυλλέκτης είναι ανοικτός ή αντίστοιχα ο χορτοσυλλέκτης ή ο εκτροπέας (πρόσθετος εξοπλισμός) δεν έχει τοποθετηθεί ή δεν έχει κουμπώσει σωστά. Το σύμβολο εμφανίζεται και κατά την εκκένωση του χορτοσυλλέκτη. (⇒ 13.9)

Εάν ο χορτοσυλλέκτης μετακινηθεί προς τα πάνω με ενεργοποιημένο το σύστημα κοπής (π. χ. για την εκκένωση), τότε ο κινητήρας εσωτερικής καύσης τίθεται εκτός λειτουργίας για λόγους ασφαλείας.

#### Η ένδειξη σβήνει

- όταν ο χορτοσυλλέκτης είναι κλεισμένος. (⇒ 13.9)
- όταν ο χορτοσυλλέκτης ή ο εκτροπέας (προαιρετικός εξοπλισμός), δεν έχει τοποθετηθεί σωστά. (⇒ 13.10)

#### Σύμβολο Ρεζέρβα καυσίμου:



Το καύσιμο έχει καταναλωθεί μέχρι το επίπεδο της ρεζέρβας, στο ρεζερβουάρ υπάρχουν περ. 2 λίτρα καυσίμου ακόμα. (⇒ 13.1)

#### Η ένδειξη σβήνει

- όταν συμπληρώνεται καύσιμο.

#### Σύμβολο Χορτοσυλλέκτης γεμάτος:



Ο χορτοσυλλέκτης έχει γεμίσει, ακούγεται ένας συνεχόμενος ήχος. (⇒ 8.19)

Ο συνεχόμενος ήχος σταματά μετά την αποσύμπλεξη του συστήματος κοπής. (⇒ 13.8)

#### Η ένδειξη σβήνει:

- όταν πραγματοποιείται εκκένωση του χορτοσυλλέκτη.

Σύμβολο Έχει ενεργοποιηθεί το φρένο στάθμευσης:



Έχει ενεργοποιηθεί το φρένο στάθμευσης. (⇒ 8.14)

#### Η ένδειξη σβήνει:

- όταν λυθεί το φρένο στάθμευσης.

Σύμβολο Ο αγωγός εξαγωγής έχει αφαιρεθεί:



Ο αγωγός εξαγωγής αφαιρέθηκε. (⇒ 15.5)

Ο κινητήρας εσωτερικής καύσης δεν μπορεί να τεθεί σε λειτουργία για λόγους ασφαλείας.

#### Η ένδειξη σβήνει:

- όταν ο αγωγός εξαγωγής έχει τοποθετηθεί σωστά. (⇒ 15.6)

### 10.6 Ένδειξη ενεργών λειτουργιών



Εάν τα σύμβολα δεν εμφανίζονται ή δεν σβήνουν με τον αναμενόμενο τρόπο, τότε η πιθανή αιτία είναι κάποια βλάβη στον αντίστοιχο διακόπτη, στους ακροδέκτες ή στα καλώδια. Απευθυνθείτε στον εμπορικό σας αντιπρόσωπο. Η STIHL προτείνει τον εμπορικό αντιπρόσωπο STIHL.

Σύμβολο Ενεργοποίηση Tempomat:



Το Tempomat είναι ενεργοποιημένο. (⇒ 8.7)

Η ένδειξη σβήνει όταν το Tempomat είναι απενεργοποιημένο.

Σύμβολο Σύστημα κοπής ενεργοποιημένο:



Έγινε σύμπλεξη του συστήματος κοπής. (⇒ 8.6)

Η ένδειξη σβήνει όταν το σύστημα κοπής αποσυμπλεχθεί.

## 11. Υποδείξεις για την εργασία



### Προειδοποίηση! Κίνδυνος τραυματισμού!

Πριν από κάθε χρήση, θα πρέπει να λαμβάνετε υπόψη όλες τις πληροφορίες για την ασφαλή λειτουργία του εργαλείου. Η εργασία σε πλαγιές απαιτεί ιδιαίτερη συγκέντρωση και προσοχή.



### Υπόδειξη

Πριν από κάθε εργασία, βεβαιωθείτε ότι το σύστημα κοπής βρίσκεται στη σωστή θέση τοποθέτησης. Για την πρώτη χρήση του εργαλείου σας, επιλέξτε μια επίπεδη και ομαλή περιοχή και κόψτε ευθύγραμμες λωρίδες χόρτου που υπερκαλύπτονται ελαφρώς ώστε να εξοικειωθείτε με τη χρήση του. Το χόρτο θα πρέπει να κόβεται πάντοτε στεγνό.

Για καλοδιατηρημένο και πυκνό χλοοτάπητα πρέπει να τηρούνται τα εξής:

- κοπή χόρτου με υψηλές στροφές (μοχλός γκαζιού στη θέση MAX) και αργή ταχύτητα κίνησης.
- Συχνή κοπή και διατήρηση μικρού ύψους του χόρτου.
- Εάν το χόρτο δεν κοπεί πολύ κοντό όταν το κλίμα είναι ιδιαίτερα θερμό και ξηρό, θα ξεραθεί και θα καταστραφεί από τον ήλιο.
- Με τροχισμένα μαχαίρια κοπής: Για το λόγο αυτό τροχίζετε τακτικά ή αντικαθιστάτε τα μαχαίρια κοπής.
- Αλλαγή της κατεύθυνσης κοπής.

### Κοπή ψηλού χόρτου

Εάν το ύψος του χόρτου είναι πολύ μεγάλο, συνιστάται η κοπή του να εκτελείται σε δύο στάδια:

- Πρώτο στάδιο κοπής με μέγιστη σκάλα κοπής, μέγιστο αριθμό στροφών και αργή ταχύτητα κίνησης.
- Στο δεύτερο στάδιο κοπής, επιλέξτε την επιθυμητή σκάλα κοπής και ρυθμίστε το εργαλείο στο μέγιστο αριθμό στροφών. Προσαρμόστε την ταχύτητα κίνησης ανάλογα με τη σύσταση του χλοοτάπητα.





### Προειδοποίηση – Κίνδυνος πυρκαγιάς!

Αποφύγετε την υπερβολική καταπόνηση του συστήματος μετάδοσης κίνησης του συστήματος κοπής. Η υπερβολική καταπόνηση μπορεί να έχει ως αποτέλεσμα τη μόνιμη ολίσθηση του ιμάντα, η οποία μπορεί να προκαλέσει κίνδυνο πυρκαγιάς λόγω υπερθέρμανσης.

Οι ασυνήθιστοι θόρυβοι κύλισης, π.χ. «τρίξιμο» (θόρυβος τριβής) του ιμάντα αποτελούν ένδειξη υπερβολικής καταπόνησης. Για το λόγο αυτό, δεν θα πρέπει ποτέ να κόβετε το ψηλό χόρτο με βουλωμένο αγωγό εξαγωγής ή με γεμάτο χορτοσυλλέκτη. Εάν απαιτείται, χρησιμοποιήστε το αλεστικό σύστημα (προαιρετικός εξοπλισμός).

Το σύστημα κοπής θα πρέπει να παραμένει πάντα καθαρό από υλικά που μπορεί να αναφλεχθούν (χόρτα, φύλλα κ.λπ.), κυρίως στην περιοχή του ιμάντα, και θα πρέπει να καθαρίζεται τακτικά ώστε να αποφεύγεται ο κίνδυνος πυρκαγιάς.

### Αποφυγή απόφραξης του αγωγού εξαγωγής

Σε περίπτωση απόφραξης του αγωγού εξαγωγής με χόρτο, μειώστε την ταχύτητα κίνησης. Η ταχύτητα κίνησης μπορεί να είναι υπερβολικά μεγάλη για την κατάσταση του χλοοτάπητα. Επιπλέον τραβήξτε το σύρτη του αισθητήρα στάθμης πλήρωσης τελείως προς τα έξω. (⇒ 8.19)

Εάν το πρόβλημα παραμένει, τότε η πιθανότερη αιτία είναι τα φθαρμένα πτερύγια των μαχαιριών κοπής. Αντικαταστήστε τα μαχαίρια κοπής. (⇒ 15.13)

Καθαρίστε το σύστημα κοπής, τον αγωγό εξαγωγής και τα μαχαίρια κοπής ώστε να μην συσσωρεύονται υπολείμματα χόρτου. (⇒ 15.2)

### Λίπασμα

Η κοπή του χόρτου αφαιρεί από το έδαφος τις θρεπτικές ουσίες, τις οποίες μπορείτε να αναπληρώσετε με ένα εξαιρετικής ποιότητας λίπασμα μακράς διάρκειας για χλοοτάπητα. Κατά κανόνα απαιτούνται τρεις ρίψεις λιπασμάτων σε κάθε περίοδο κοπής. Ο χλοοτάπητας θα πρέπει να είναι στεγνός, προκειμένου το λίπασμα να μην κολλήσει στα φύλλα και τα κάψι. Ποτίστε τον χλοοτάπητα, έτσι ώστε το λίπασμα να ξεπλυθεί από τα φύλλα. (Τηρείτε τις οδηγίες επεξεργασίας του κατασκευαστή.)

Με το κομμένο χόρτο μπορείτε να εξασφαλίσετε φυσική λίπανση. Αυτό γίνεται με τη χρήση του αλεστικού συστήματος. Το αλεστικό σύστημα διατίθεται ως προαιρετικός εξοπλισμός και δεν περιλαμβάνεται στο πακέτο παράδοσης. (Ο εμπορικός αντιπρόσωπος STIHL θα σας δώσει περισσότερες πληροφορίες).

### Εργασία με προστασία του εδάφους

Σημαντικοί παράγοντες για την εργασία με προστασία του εδάφους είναι η τεχνική και η υγρασία του εδάφους.

Για να εξασφαλίσετε καθαρό αποτέλεσμα κοπής, θα πρέπει να προσαρμόσετε την ταχύτητα ανάλογα με την κατάσταση του χλοοτάπητα (ύψος και πυκνότητα) και την υγρασία.

Οι πολύ κλειστές στροφές αυξάνουν την καταπόνηση του χλοοτάπητα και οδηγούν σε κακά αποτελέσματα κοπής, ειδικά σε βρεγμένο χόρτο, αφού οι τροχοί εισχωρούν στο μαλακό χόρτο.

## 12. Συστήματα ασφαλείας

Το εργαλείο είναι εξοπλισμένο με διάφορες διατάξεις ασφαλείας για τον ασφαλή χειρισμό και την προστασία από ακατάλληλη χρήση.



### Κίνδυνος τραυματισμών!

Εάν διαπιστώσετε κάποια βλάβη σε μία από τις διατάξεις ασφαλείας, δεν επιτρέπεται να θέσετε σε λειτουργία το εργαλείο. Στην περίπτωση αυτή, απευθυνθείτε σε εμπορικό αντιπρόσωπο. Η STIHL προτείνει τον εμπορικό αντιπρόσωπο STIHL.

### Για να θέσετε σε λειτουργία τον κινητήρα εσωτερικής καύσης πρέπει σε κάθε περίπτωση:

- να έχει τοποθετηθεί σωστά ο αγωγός εξαγωγής,
- να έχει πατηθεί το πεντάλ φρένων ή να έχει ενεργοποιηθεί το φρένο στάθμευσης.

### Ο κινητήρας εσωτερικής καύσης τίθεται εκτός λειτουργίας όταν ο χειριστής:

- εγκαταλείψει το κάθισμα του οδηγού με ενεργοποιημένο το σύστημα κοπής,
- ανατρέψει ή ανασηκώσει το χορτοσυλλέκτη με ενεργοποιημένο το σύστημα κοπής ή αφαιρέσει τον εκτροπέα (προαιρετικός εξοπλισμός),
- αφαιρέσει τον αγωγό εξαγωγής με ενεργοποιημένο το σύστημα κοπής,

- εγκαταλείψει το κάθισμα οδηγού και δεν έχει ενεργοποιήσει το φρένο στάθμευσης.

### Ενσωματωμένο φρένο ακινητοποίησης μαχαιριού:

RT 5097, RT 5097 Z, RT 5112 Z,  
RT 6112 ZL:

Μετά την αποσύμπλεξη, τα μαχαίρια κοπής ακινητοποιούνται το αργότερο έπειτα από **5 δευτερόλεπτα**.

RT 6127 ZL:

Μετά την αποσύμπλεξη, τα μαχαίρια κοπής ακινητοποιούνται το αργότερο έπειτα από **7 δευτερόλεπτα**.



Μετά τη σύμπλεξη του συστήματος κοπής, τα μαχαίρια κοπής περιστρέφονται και ακούγεται ένας ήχος περιστροφής. Ο χρόνος συνεχιζόμενης λειτουργίας είναι αντίστοιχος με τη διάρκεια του ήχου περιστροφής μετά την αποσύμπλεξη και μπορεί να μετρηθεί με χρονόμετρο.

Για τον έλεγχο του ενσωματωμένου φρένου ακινητοποίησης μαχαιριού, μετρήστε με χρονόμετρο τη διάρκεια του ήχου περιστροφής μετά την αποσύμπλεξη.

RT 5097, RT 5097 Z, RT 5112 Z,  
RT 6112 ZL:

Εάν ξεπεραστούν τα 5 δευτερόλεπτα: Επικοινωνήστε με έναν εμπορικό αντιπρόσωπο της STIHL.

RT 6127 ZL:

Εάν ξεπεραστούν τα 7 δευτερόλεπτα: Επικοινωνήστε με έναν εμπορικό αντιπρόσωπο της STIHL.

## 13. Θέση του εργαλείου σε λειτουργία



### Κίνδυνος τραυματισμών!

Πριν από την έναρξη λειτουργίας διαβάστε με προσοχή ολόκληρο το κεφάλαιο "Για τη δική σας ασφάλεια" και ακολουθήστε τις υποδείξεις. (⇒ 4.)

Για λόγους ασφαλείας, το εργαλείο δεν πρέπει να χρησιμοποιείται σε πλαγιές με κλίση μεγαλύτερη από 10° (17,6 %).

Η κλίση πλαγιάς της τάξης του 17,6 αντιστοιχεί σε 17,6 cm κάθετη υψομετρική διαφορά σε οριζόντια επιφάνεια μήκους 100 cm.

- Πριν από την έναρξη λειτουργίας εξοικειωθείτε με τα χειριστήρια του εργαλείου. (⇒ 8.)
- Πριν την έναρξη λειτουργίας συμβουλευθείτε το πρόγραμμα συντήρησης και εκτελέστε όλες τις εργασίες συντήρησης. (⇒ 15.1)
- Πριν από κάθε έναρξη λειτουργίας ελέγχετε τα συστήματα ασφαλείας. (⇒ 12.)

Το χλοοκοπτικό τρακτέρ δεν επιτρέπεται να τεθεί σε λειτουργία εάν λείπουν τα συστήματα ασφαλείας, εάν παρουσιάζουν ζημιές, εάν έχουν παρακαμφθεί ή εάν έχουν τροποποιηθεί.

### 13.1 Συμπλήρωση καυσίμου

#### Μέγιστη χωρητικότητα ρεζερβουάρ:

9 λίτρα



### Πρόταση:

Για πληροφορίες σχετικά με επώνυμα καύσιμα και την ποιότητα του καυσίμου (αριθμός οκτανίων), ανατρέξτε στις οδηγίες χρήσης του κινητήρα εσωτερικής καύσης).

- Αμόλυβδη βενζίνη.

### Διαδικασία πλήρωσης:

- Σβήστε τον κινητήρα εσωτερικής καύσης και αφήστε τον να κρυώσει (θερμοκρασία περιβάλλοντος). (⇒ 13.3)
- Ενεργοποιήστε το φρένο στάθμευσης. (⇒ 8.14)

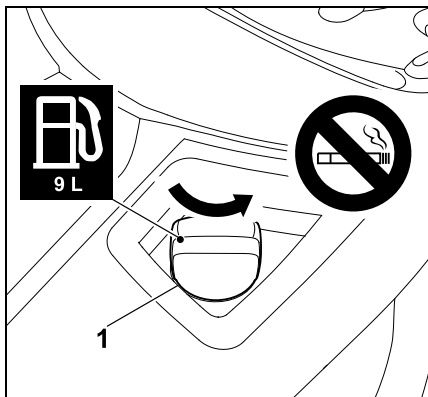


Για να μη χυθεί το καύσιμο, θα πρέπει για την πλήρωση του λιπαντικού κινητήρα να χρησιμοποιήσετε μια κατάλληλη χοάνη (δεν περιλαμβάνονται στο πακέτο παράδοσης).

Γεμίστε αργά και προσεκτικά το καύσιμο. Για να αποφύγετε την υπερχειλίση θα πρέπει να χωρίσετε τη διαδικασία πλήρωσης σε περισσότερα βήματα. Μετά από κάθε βήμα αφαιρείτε την χοάνη και ελέγχετε οπτικά τη στάθμη πλήρωσης στο ρεζερβουάρ.

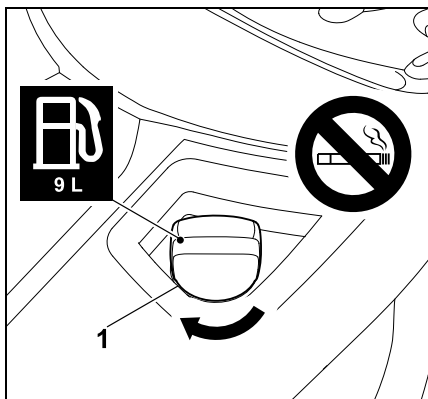
Όσο περισσότερο καύσιμο έχετε γεμίσει τόσο μικρότερες θα πρέπει να είναι οι ποσότητες σε κάθε βήμα πλήρωσης. Για να εξασφαλίσετε τον απαιτούμενο χώρο για τη διαστολή του καυσίμου, μη γεμίζετε το ρεζερβουάρ καυσίμου επάνω από την κάτω ακμή του στομίου πλήρωσης.

## Τάπα ρεζερβουάρ καυσίμου:



Ξεβιδώστε την τάπα του ρεζερβουάρ καυσίμου (1) (προσέξτε τη φορά του βέλους) και αφαιρέστε την.

- Συμπληρώστε το καύσιμο με τη βοήθεια μίας κατάλληλης χοάνης (δεν περιλαμβάνεται στο πλαίσιο παράδοσης) (βλέπε διαδικασία πλήρωσης).



Τοποθετήστε την τάπα του ρεζερβουάρ καυσίμου (1) και βιδώστε την (προσέξτε τη φορά του βέλους). Στη συνέχεια, σφίξτε την τάπα του ρεζερβουάρ (1) με το χέρι.

- Σκουπίστε το καύσιμο που έχει χυθεί και περιμένετε μέχρι να εξατμιστεί πριν θέσετε τον κινητήρα εσωτερικής καύσης σε λειτουργία.

## 13.2 Θέση του κινητήρα εσωτερικής καύσης σε λειτουργία

### ! Αποφύγετε τις ζημιές στο εργαλείο!

Εάν ο κινητήρας εσωτερικής καύσης δεν πάρει αμέσως μπροστά, κάντε παύσεις μεταξύ των προσπαθειών εκκίνησης. Μη γυρίστε το κλειδί μίζας ποτέ πάνω από 10 δευτερόλεπτα στη θέση "Εκκίνηση κινητήρα εσωτερικής καύσης".

- ! Ο κινητήρας εσωτερικής καύσης μπορεί να τεθεί σε λειτουργία μόνο εάν είναι σωστά τοποθετημένος ο αγωγός εξαγωγής. (⇒ 15.6)

### Πριν την εκκίνηση:

- Ελέγξτε τη στάθμη λιπαντικού του κινητήρα. (⇒ 15.8)
- Απομακρύνετε τυχόν υπολείμματα χόρτου από το σύστημα κοπής και το χώρο του κινητήρα.
- Ελέγξτε τη στάθμη καυσίμου και αν χρειαστεί συμπληρώστε. (⇒ 13.1)
- Πριν από κάθε χρήση θα πρέπει να ελέγχετε τη λειτουργία του φρένου. (⇒ 13.5)
- Προσαρμόστε όλες τις ρυθμίσεις του εργαλείου (ρύθμιση καθίσματος οδηγού) στις δικές σας ανάγκες - όχι όταν ο κινητήρας εσωτερικής καύσης βρίσκεται σε λειτουργία.

- Μην εκκινείτε το εργαλείο όταν σε κοντινή απόσταση βρίσκονται ζώα ή άτομα, κυρίως παιδιά.

### Ακολουθία εκκίνησης:

- Ανοίξτε τη βάνα καυσίμου. (⇒ 15.7)
- Καθίστε στο κάθισμα οδηγού.
- Πριν από την εκκίνηση, πατήστε μέχρι τέρμα και κρατήστε πατημένο το πεντάλ φρένων ή ενεργοποιήστε το φρένο στάθμευσης. (⇒ 8.13), (⇒ 8.14)
- Τοποθετήστε το κλειδί μίζας στην κλειδαριά μίζας και γυρίστε το στη θέση «Ανάφλεξη ενεργοποιημένη». (⇒ 8.1)
- **Κρύος κινητήρας εσωτερικής καύσης:**  
RT 5097:  
Τοποθετήστε τον μοχλό γκαζιού στη θέση τσοκ. (⇒ 8.2)  
RT 5097 Z, RT 5112 Z, RT 6112 ZL, RT 6127 ZL:  
Φέρτε τον μοχλό γκαζιού στη θέση MAX και τραβήξτε το πλήκτρο τσοκ. (⇒ 8.3), (⇒ 8.4)  
**Ζεστός κινητήρας εσωτερικής καύσης:**  
Τοποθετήστε τον μοχλό γκαζιού στη θέση MAX. (⇒ 8.2), (⇒ 8.3)
- Γυρίστε το κλειδί μίζας στη θέση «Εκκίνηση κινητήρα εσωτερικής καύσης».  
Ο κινητήρας εσωτερικής καύσης τίθεται σε λειτουργία. Μόλις ο κινητήρας εσωτερικής καύσης αρχίσει να λειτουργεί, απελευθερώστε το κλειδί μίζας. Αυτό θα επιστρέψει αυτομάτως στη θέση «Κινητήρας εσωτερικής καύσης σε λειτουργία».

- RT 5097 Φέρτε τον μοχλό γκαζιού στη θέση MAX με τον κινητήρα εσωτερικής καύσης να βρίσκεται σε λειτουργία. Προσέξτε τη θέση ασφάλισης! (⇒ 8.2) RT 5097 Z, RT 5112 Z, RT 6112 ZL, RT 6127 ZL: Πιέστε το πλήκτρο τσοκ. (⇒ 8.4)
- Όταν ο κινητήρας εσωτερικής καύσης λειτουργεί μπορείτε να πάρετε το πόδι από το πεντάλ φρένων ή αντίστοιχα να λύσετε το φρένο στάθμευσης.

### 13.3 Θέση του κινητήρα εσωτερικής καύσης εκτός λειτουργίας

- Φρενάρτε το εργαλείο μέχρι να ακινητοποιηθεί πλήρως.
- Αποσμπλέξτε το σύστημα κοπής. (⇒ 8.5), (⇒ 8.6)
- Τοποθετήστε το μοχλό γκαζιού στη θέση MIN. (⇒ 8.2), (⇒ 8.3)
- Γυρίστε το κλειδί μίζας στη θέση "Απενεργοποίηση κινητήρα εσωτερικής καύσης". Ο κινητήρας εσωτερικής καύσης τίθεται εκτός λειτουργίας.
- Ενεργοποιήστε το φρένο στάθμευσης. (⇒ 8.14)
- Εάν χρειαστεί, κλείστε τη βάνα καυσίμου. (⇒ 15.7)
- Αφαιρέστε το κλειδί μίζας και φυλάξτε το σε ασφαλές μέρος.

### 13.4 Οδήγηση



#### Προειδοποίηση!

Σε δύσκολα εδάφη επιλέγετε πάντοτε χαμηλότερη ταχύτητα. Πριν από κάθε αλλαγή της κατεύθυνσης κίνησης, και κυρίως στις πλαγιές, ελαττώστε ανάλογα την ταχύτητα κίνησης.



#### Αποφύγετε τις ζημιές στο εργαλείο!

Οδηγείτε πάντα με τις μέγιστες στροφές του κινητήρα εσωτερικής καύσης για να εξασφαλίζετε τη σωστή ψύξη του κιβωτίου μετάδοσης. Για το λόγο αυτό θα πρέπει να προσαρμόζετε την ταχύτητα κίνησης μόνο με το πεντάλ επιτάχυνσης και όχι με τον μοχλό γκαζιού.

#### Πριν την πορεία:

- Συμπλέξτε την μπάρα ελεύθερης λειτουργίας του κιβωτίου μετάδοσης. (⇒ 8.18)
- RT 5112 Z, RT 6112 ZL, RT 6127 ZL: Με αποσυναρμολογημένο σύστημα κοπής πιέστε προς τα μπροστά τον μοχλό συστήματος τάνυσης ιμάντα και σταθεροποιήστε τον. (⇒ 14.1)
- Θέστε τον κινητήρα εσωτερικής καύσης σε λειτουργία. (⇒ 13.2)

#### Κίνηση εμπρός:

- Επιλέξτε την κατεύθυνση κίνησης μπροστά. (⇒ 8.9)
- Λύστε το φρένο στάθμευσης, εάν είναι ενεργοποιημένο. (⇒ 8.14)
- Πιέστε το πεντάλ επιτάχυνσης – το εργαλείο αρχίζει να κινείται προς τα μπροστά. (⇒ 8.12)

#### Οπισθοπορεία:

- Επιλέξτε την κατεύθυνση οπισθοπορείας. (⇒ 8.9)
- Λύστε το φρένο στάθμευσης, εάν είναι ενεργοποιημένο. (⇒ 8.14)
- Πιέστε το πεντάλ επιτάχυνσης – το εργαλείο αρχίζει να κινείται προς τα πίσω. (⇒ 8.12)

#### Κίνηση προς τα εμπρός με το Tempomat (RT 6112 ZL, RT 6127 ZL):

- Με αποσυναρμολογημένο σύστημα κοπής πιέστε προς τα μπροστά το μοχλό συστήματος τάνυσης ιμάντα και σταθεροποιήστε τον. (⇒ 14.1)
- Θέστε τον κινητήρα εσωτερικής καύσης σε λειτουργία. (⇒ 13.2)
- Τοποθετήστε το μοχλό γκαζιού στη θέση MAX. (⇒ 8.3)
- Τοποθετήστε το μοχλό επιλογής κατεύθυνσης κίνησης στην μπροστινή θέση (κατεύθυνση κίνησης μπροστά). (⇒ 8.9)
- Λύστε το φρένο στάθμευσης, εάν είναι ενεργοποιημένο. (⇒ 8.14)
- Πατώντας το πεντάλ επιτάχυνσης, ρυθμίζεται η ταχύτητα κίνησης και το εργαλείο κινείται προς τα μπροστά.
- **Ενεργοποίηση Tempomat:** Διατηρήστε την επιθυμητή ταχύτητα κίνησης και πιέστε το πλήκτρο Tempomat για 1 δευτερόλεπτο. (⇒ 8.7) Το Tempomat είναι ενεργοποιημένο μόλις εμφανιστεί στην οθόνη το σύμβολο «Tempomat ενεργό» και έχει σταθεροποιηθεί το πεντάλ επιτάχυνσης. Με ενεργοποιημένο το Tempomat μπορείτε να αυξήσετε την επιλεγμένη ταχύτητα πιέζοντας το πεντάλ επιτάχυνσης.

- Μπορείτε να απομακρύνετε το πόδι σας από το πεντάλ επιτάχυνσης.
- **Απενεργοποίηση Tempomat:**  
Πιέστε το πεντάλ φρένων ή το πλήκτρο Tempomat. (⇒ 8.7)  
Το Tempomat είναι απενεργοποιημένο μόλις σβήσει από την οθόνη το σύμβολο «Tempomat ενεργό».

### 13.5 Φρενάρισμα

- Ελαττώστε την ταχύτητα αφήνοντας το πεντάλ επιτάχυνσης – αποφύγετε το απότομο φρενάρισμα όταν κινείστε με τη μέγιστη ταχύτητα. (⇒ 8.12)
- Πατήστε ομοιόμορφα προς τα κάτω το πεντάλ φρένων μέχρι να ακινητοποιηθεί το εργαλείο. (⇒ 8.13)

### 13.6 Ρύθμιση ύψους κοπής



#### **Κίνδυνος τραυματισμών!**

Ρυθμίζετε το ύψος κοπής μόνον όταν το χλοοκοπτικό τρακτέρ είναι ακινητοποιημένο.

- Φρενάρτε το εργαλείο μέχρι να ακινητοποιηθεί πλήρως.
- Απασφαλίστε τον μοχλό ρύθμισης του ύψους κοπής και ρυθμίστε το επιθυμητό ύψος κοπής. (⇒ 8.15)

**Σκάλα 1** μικρότερο ύψος κοπής  
**Σκάλα 8** μεγαλύτερο ύψος κοπής



#### **RT 5112 Z, RT 6112 ZL, RT 6127 ZL:**

Η STIHL συστήνει να τοποθετήσετε τους δύο βοηθητικούς τροχούς στην πιο χαμηλή θέση. Οι βοηθητικοί τροχοί αυξάνουν την απόσταση του συστήματος κοπής από το έδαφος εάν τοποθετηθούν σε χαμηλότερη θέση και εξασφαλίζουν έτσι την καλύτερη παροχή αέρα. Το αποτέλεσμα είναι μία ωραιότερη εικόνα κοπής και μία καλύτερη απόδοση συλλογής χόρτου.

### 13.7 Κοπή χόρτου



Εάν η σύμπλεξη του συστήματος κοπής γίνει κατά τη διάρκεια της κίνησης, μειώνονται στιγμιαία οι στροφές του κινητήρα εσωτερικής καύσης λόγω της πρόσθετης καταπόνησης (εκκίνηση μαχαριών κοπής).

#### **Πριν την κοπή του χόρτου:**

- Διαβάστε και ακολουθήστε τις υποδείξεις στο κεφάλαιο "Υποδείξεις για την εργασία". (⇒ 11.)
- Κατά τη διαδικασία κοπής επιλέγετε πάντα τις μέγιστες στροφές κινητήρα. Το μαχαίρι κοπής είναι ειδικά σχεδιασμένο για αυτές τις στροφές - αποτέλεσμα είναι η βέλτιστη εικόνα κοπής καθώς και η μεγαλύτερη δύναμη αναρρόφησης για τη συλλογή του υλικού κοπής.

#### **Η σύμπλεξη του συστήματος κοπής πρέπει να πραγματοποιηθεί με την παρακάτω σειρά:**

- Θέστε τον κινητήρα εσωτερικής καύσης σε λειτουργία. (⇒ 13.2)

- Τοποθετήστε το μοχλό γκαζιού στη θέση MAX. (⇒ 8.2), (⇒ 8.3)
- Οδηγήστε το χλοοκοπτικό τρακτέρ στην επιφάνεια χόρτου όπου θα εκτελέσετε εργασίες κοπής.  
Μην συμπλέκετε το σύστημα κοπής όταν το χόρτο είναι πολύ ψηλό ή όταν έχετε επιλέξει τη χαμηλότερη σκάλα κοπής. Συμπλέκετε το σύστημα κοπής μόνο όταν το εργαλείο βρίσκεται ήδη επάνω στην επιφάνεια χόρτου όπου πρόκειται να το χρησιμοποιήσετε.
- **Κοπή χόρτου προς τα εμπρός:**  
Επιλέξτε την κατεύθυνση κίνησης προς τα μπροστά (⇒ 8.9), στη συνέχεια συμπλέξτε το σύστημα κοπής πιέζοντας τον διακόπτη του συστήματος κοπής ή το πλήκτρο του συστήματος κοπής. (⇒ 8.5), (⇒ 8.6)  
**Κοπή χόρτου με οπισθοπορεία:**  
Επιλέξτε την οπισθοπορεία (⇒ 8.9) και πιέστε μία φορά σύντομα τον διακόπτη ασφαλείας για την κοπή χόρτου με οπισθοπορεία (⇒ 8.8), στη συνέχεια συμπλέξτε το σύστημα κοπής πιέζοντας το διακόπτη του συστήματος κοπής ή το πλήκτρο του συστήματος κοπής. (⇒ 8.5), (⇒ 8.6)

#### **Κατά τη διαδικασία κοπής:**

- Τοποθετήστε το μοχλό γκαζιού στη θέση MAX. (⇒ 8.2), (⇒ 8.3)
- Προσαρμόζετε πάντα την ταχύτητα κίνησης στο ύψος του χόρτου ή στη σκάλα κοπής.  
Σε ψηλά χόρτα ή/και σε χαμηλή σκάλα κοπής, επιλέγετε χαμηλή ταχύτητα.



Ένας συνεχόμενος ήχος σηματοδοτεί ότι ο χορτοσυλλέκτης έχει γεμίσει. (⇒ 13.9)

## Αλλαγή κατεύθυνσης κίνησης με ενεργοποιημένο το σύστημα κοπής:

- Για την **κοπή του χόρτου με οπισθοπορεία** πιέστε μία φορά στιγμιαία τον διακόπτη ασφαλείας για την κοπή χόρτου με οπισθοπορεία εντός ενός συγκεκριμένου χρονικού διαστήματος (5 δευτερόλεπτα πριν ή 1 δευτερόλεπτο μετά την εναλλαγή). (⇒ 8.8)
- Ακινητοποιήστε το εργαλείο στην επιφάνεια του χόρτου και επιλέξτε την επιθυμητή κατεύθυνση κίνησης με το μοχλό κατεύθυνσης κίνησης. (⇒ 8.9)
- Συνεχίστε τη διαδικασία κοπής.

## Η αποσύμπλεξη του συστήματος κοπής πρέπει να πραγματοποιηθεί με την παρακάτω σειρά:

- Οδηγήστε το εργαλείο σε μια επιφάνεια με ήδη κομμένο χόρτο ή επιλέξτε την υψηλότερη σκάλα κοπής. (⇒ 8.15)
- Αποσυμπλέξτε το σύστημα κοπής πιέζοντας το διακόπτη του συστήματος κοπής ή το πλήκτρο του συστήματος κοπής. (⇒ 8.5), (⇒ 8.6)



### Κίνδυνος τραυματισμών!

Μετά την αποσύμπλεξη του συστήματος κοπής, δώστε προσοχή στην περιστροφή, καθώς απαιτούνται έως και 7 δευτερόλεπτα για την πλήρη ακινητοποίηση του μαχαιριού κοπής. (⇒ 12.)

## 13.8 Προγραμματισμός αυτόματης αποσύμπλεξης του συστήματος κοπής

Ο ηλεκτρομαγνητικός συμπλέκτης μαχαιριού μπορεί να προγραμματιστεί έτσι, ώστε το σύστημα κοπής να αποσυμπλέκεται



αυτόματα όταν ο χορτοσυλλέκτης έχει γεμίσει. Αυτό αυξάνει την ευχρηστία, αφού αποτρέπεται έτσι το φρακάρισμα του αγωγού εξαγωγής.

- Θέστε τον κινητήρα εσωτερικής καύσης εκτός λειτουργίας. (⇒ 13.3)
- Γυρίστε το κλειδί μίζας στη θέση «Ανάφλεξη ενεργοποιημένη». (⇒ 8.1)
- Περιμένετε να ολοκληρωθεί η αυτοδιάγνωση του ηλεκτρονικού συστήματος – μην πιέζετε κανένα πλήκτρο.

## Ενεργοποίηση αυτόματης αποσύμπλεξης:

- Πατήστε ταυτόχρονα για 5 δευτερόλεπτα τον διακόπτη ασφαλείας για κοπή με την όπισθεν και το πεντάλ επιτάχυνσης. Ένα σύντομο ηχητικό σήμα σηματοδοτεί, ότι έχει ενεργοποιηθεί η αυτόματη λειτουργία.
- Η τρέχουσα ρύθμιση αποθηκεύεται μόνιμα.

## Απενεργοποίηση αυτόματης αποσύμπλεξης:

- Φέρτε τον μοχλό επιλογής κατεύθυνσης κίνησης στη θέση κίνησης προς τα εμπρός.
- Πατήστε ταυτόχρονα για 5 δευτερόλεπτα τον διακόπτη ασφαλείας για κοπή με την όπισθεν και το πεντάλ επιτάχυνσης. 3 σύντομα διαδοχικά ηχητικά σήματα σηματοδοτούν, ότι έχει απενεργοποιηθεί η αυτόματη λειτουργία.
- Η τρέχουσα ρύθμιση αποθηκεύεται μόνιμα.

## Προγραμματισμός αυτόματης αποσύμπλεξης με το πλήκτρο Mode (μόνο στα RT 6112 ZL, RT 6127 ZL):

- Φέρτε τον μοχλό επιλογής κατεύθυνσης κίνησης στη θέση κίνησης προς τα εμπρός.
- Κρατήστε ταυτόχρονα πιεσμένο το πλήκτρο του συστήματος κοπής και το πλήκτρο Mode – η αυτόματη αποσύμπλεξη ενεργοποιείται ή απενεργοποιείται αντίστοιχα με το πλήκτρο Mode (ένδειξη οθόνης ON ή OFF).
- Η τρέχουσα ρύθμιση αποθηκεύεται μόνιμα.

## Έλεγχος προγραμματισμού (μόνον στα RT 6112 ZL, RT 6127 ZL):

- Πιέστε και κρατήστε πατημένο το πλήκτρο του συστήματος κοπής. Στην οθόνη εμφανίζεται το σύμβολο ενεργοποίησης του συστήματος κοπής και το κείμενο ON ή OFF.  
**ON** – Με γεμάτο το χορτοσυλλέκτη το σύστημα κοπής αποσυμπλέκεται αυτόματα.  
**OFF** – Με γεμάτο το χορτοσυλλέκτη το σύστημα κοπής δεν αποσυμπλέκεται αυτόματα.

## 13.9 Εκκένωση χορτοσυλλέκτη



### Κίνδυνος τραυματισμών!

Εκκενώνετε το χορτοσυλλέκτη μόνο σε επίπεδες επιφάνειες, καθώς με την αναδίπλωση του χορτοσυλλέκτη προς τα επάνω, μετατοπίζεται το κέντρο βάρους και αυξάνεται ο κίνδυνος ανατροπής.

- i** Ο συνεχόμενος ήχος κατά τη διαδικασία κοπής χόρτου ειδοποιεί ότι ο χορτοσυλλέκτης έχει γεμίσει και πρέπει να εκκενωθεί. Ο συνεχόμενος ήχος σταματά μετά την αποσύμπλεξη του συστήματος κοπής. Στα μοντέλα RT 6112 ZL και RT 6127 ZL εμφανίζεται στην οθόνη το σύμβολο «Χορτοσυλλέκτης γεμάτος» όταν γεμίσει ο χορτοσυλλέκτης. (⇒ 10.5)

### Εάν ο χορτοσυλλέκτης δεν γεμίζει τελείως, προσέξτε τα παρακάτω σημεία:

- Ρυθμίστε σωστά τον αισθητήρα στάθμης πλήρωσης (χορτοσυλλέκτης). (⇒ 8.19)
- Κατά την εκκένωση του χορτοσυλλέκτη, ελέγξτε τον αγωγό εξαγωγής για τυχόν απόφραξη και αν χρειαστεί καθαρίστε τον.
- Ελέγξτε τα πτερύγια των μαχαιριών κοπής για τυχόν ζημιές ή φθορές και αν χρειαστεί αντικαταστήστε τα. (⇒ 15.13)

### Εκκένωση του χορτοσυλλέκτη:

- Αποσυμπλέξτε το σύστημα κοπής. (⇒ 8.5), (⇒ 8.6)  
Ο συνεχόμενος ήχος σταματά.
- Επιλέξτε τη μέγιστη σκάλα κοπής. (⇒ 8.15)
- Οδηγήστε το εργαλείο στο σημείο όπου θέλετε να εκκενώσετε το υλικό κοπής.
- Τραβήξτε προς τα έξω το μοχλό εκκένωσης χορτοσυλλέκτη και, στη συνέχεια, πιέστε τον προς τα μπροστά. (⇒ 8.16)  
Ο χορτοσυλλέκτης αναδιπλώνεται προς τα επάνω και το υλικό κοπής πέφτει έξω από το χορτοσυλλέκτη.

- Εάν χρειαστεί, κινηθείτε λίγο προς τα μπροστά με ανοιγμένο τον χορτοσυλλέκτη.
- Ανεβοκατεβάστε ελαφρώς το χορτοσυλλέκτη ώστε να πέσει όλο το υλικό κοπής από το χορτοσυλλέκτη.
- Γυρίστε το μοχλό εκκένωσης χορτοσυλλέκτη αργά προς τα πίσω και κουμπώστε πάλι το χορτοσυλλέκτη στο πίσω μέρος του εργαλείου.
- Απελευθερώστε το μοχλό εκκένωσης χορτοσυλλέκτη και πιέστε τον προς τα κάτω, μέχρι να επανέλθει στην αρχική του θέση.

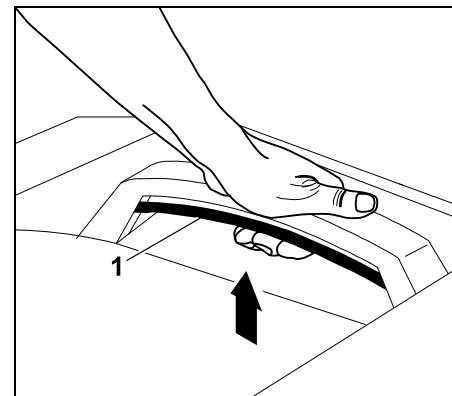
### 13.10 Αφαίρεση και τοποθέτηση χορτοσυλλέκτη

#### Πριν από την αφαίρεση θα πρέπει να προσέξετε τα παρακάτω σημεία:

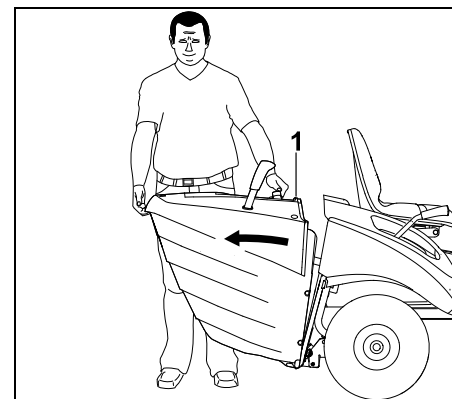
- Αποσυμπλέξτε το σύστημα κοπής. (⇒ 8.5), (⇒ 8.6)
- Εκκενώστε το χορτοσυλλέκτη. (⇒ 13.9)
- Ενεργοποιήστε το φρένο στάθμευσης. (⇒ 8.14)
- Θέστε τον κινητήρα εσωτερικής καύσης εκτός λειτουργίας. (⇒ 13.3)

- i** Κατά την αφαίρεση και τοποθέτηση του χορτοσυλλέκτη, θα πρέπει η μπάρα απασφάλισης του χορτοσυλλέκτη να παραμένει στη θέση απασφάλισης μέχρι ο χορτοσυλλέκτης να αφαιρεθεί ή να τοποθετηθεί πλήρως.

### Αφαίρεση χορτοσυλλέκτη:

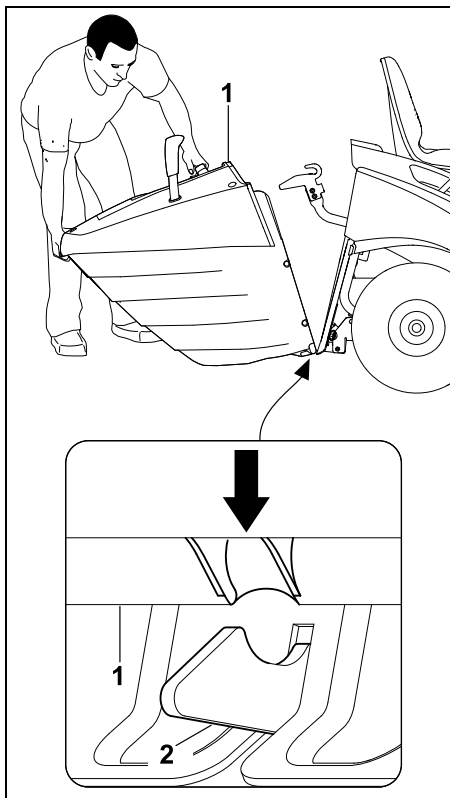


Τραβήξτε την μπάρα απασφάλισης του χορτοσυλλέκτη (1) προς τα επάνω και κρατήστε τη σε αυτή τη θέση.



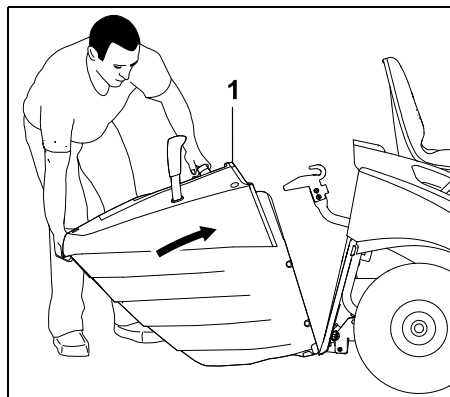
Αφαιρέστε το χορτοσυλλέκτη (1).

## Τοποθετήστε το χορτοσυλλέκτη:



Τοποθετήστε το χορτοσυλλέκτη (1) στους δύο γάντζους ασφάλισης (2) στο πίσω τοίχωμα.

- Πατήστε και κρατήστε πατημένη την μπάρα απασφάλισης του χορτοσυλλέκτη. (⇒ 8.17)



Ανασηκώστε μέχρι τέρμα το χορτοσυλλέκτη (1).

- Απελευθερώστε την μπάρα ασφάλισης του χορτοσυλλέκτη και βεβαιωθείτε ότι ο χορτοσυλλέκτης έχει κουμπώσει στη θέση του. (⇒ 8.17)

**i** Εάν το εργαλείο τεθεί σε λειτουργία χωρίς το χορτοσυλλέκτη ή τον εκτροπέα (πρόσθετος εξοπλισμός), τότε δεν μπορεί να πραγματοποιηθεί σύμπλεξη του συστήματος κοπής. Στην περίπτωση αυτή ο κινητήρας εσωτερικής καύσης τίθεται αυτομάτως εκτός λειτουργίας.

### 13.11 Ρυμούλκηση φορτίων

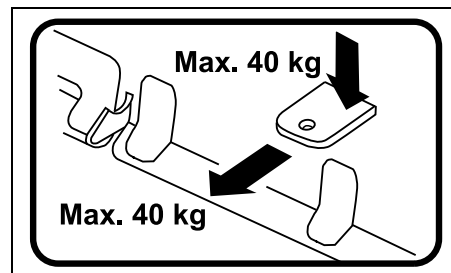
**⚠ Κίνδυνος τραυματισμών!** Κατά τη μεταφορά φορτίων μεταβάλλονται οι ιδιότητες κίνησης του εργαλείου (π.χ. μεγαλύτερη απόσταση φρεναρίσματος). Όσο βαρύτερο είναι το φορτίο, τόσο περισσότερο μεταβάλλονται οι ιδιότητες κίνησης! Για τη ρυμούλκηση φορτίων επιλέγεται πάντοτε χαμηλότερη ταχύτητα.

**⚠ Αποφύγετε τις ζημιές στο εργαλείο!**  
Στις ανωφέρειες μειώνεται αντίστοιχα το μέγιστο επιτρεπόμενο φορτίο έλξης.

- Πριν από την ανάρτηση φορτίων, θα πρέπει να ελέγχετε πάντα τη λειτουργία του φρένου. (⇒ 13.5)



Μέγιστο φορτίο ρυμούλκησης σε επίπεδη επιφάνεια = **250 kg**  
Μέγιστο φορτίο ρυμούλκησης σε μέγιστη κλίση 10° = **100 kg**



Μέγιστο φορτίο στήριξης = **40 kg**  
Μέγιστο φορτίο έλξης = **40 kg**





Ένα φορτίο έλξης της τάξης των 40 kg στον κοτσαδόρο επιτυγχάνεται σε επίπεδη επιφάνεια κατά την έλξη ενός ρυμουλκούμενου με βάρος 250 kg.

### 13.12 Λειτουργία σε πλαγιές

- Πριν από κάθε χρήση σε πλαγιά, θα πρέπει να ελέγχετε τη λειτουργία του φρένου. (⇒ 13.5)
- Στις πλαγιές θα πρέπει να κινείστε κατά μήκος. Στην κάθετη κίνηση υπάρχει αυξημένος κίνδυνος ανατροπής - προσέξτε τη μέγιστη κλίση πλαγιάς. (⇒ 4.7)
- Αποφύγετε τις αλλαγές κατεύθυνσης στις πλαγιές - κάνετε τους αναπόφευκτους ελιγμούς αλλαγής κατεύθυνσης με ιδιαίτερη προσοχή.

## 14. Σύστημα κοπής

### 14.1 Αφαίρεση συστήματος κοπής



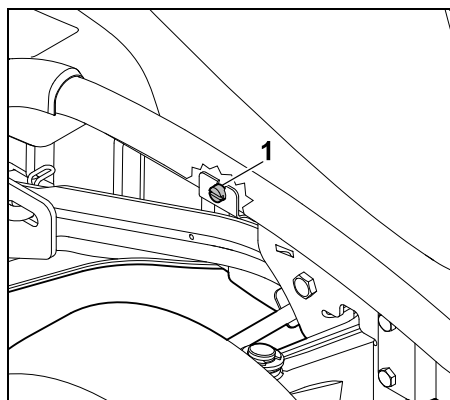
#### Κίνδυνος τραυματισμών!

Πριν από κάθε εργασία στο σύστημα κοπής, διαβάστε με προσοχή και ακολουθήστε τις υποδείξεις του κεφαλαίου "Για τη δική σας ασφάλεια". (⇒ 4.)

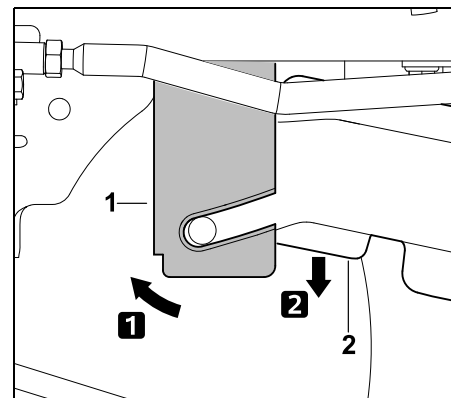
Κατά την αποσυναρμολόγηση παρουσιάζεται **κίνδυνος σύνθλιψης** λόγω του ίδιου βάρους του συστήματος κοπής. Για το λόγο αυτό, θα πρέπει πριν την αφαίρεση να προσέξετε ώστε να μην υπάρχει κάτω από το σύστημα κοπής κάποιο μέλος του σώματός σας (δάκτυλα, χέρια, πόδια κ.λπ.).

- Τοποθετήστε το εργαλείο σε ένα επίπεδο και σταθερό υπόστρωμα.
- Στριψτε τους μπροστινούς τροχούς προς τα αριστερά ή προς τα δεξιά.
- Θέστε τον κινητήρα εσωτερικής καύσης εκτός λειτουργίας. (⇒ 13.3)
- Αφαιρέστε το κλειδί μίζας.
- Ενεργοποιήστε το φρένο στάθμευσης. (⇒ 8.14)
- Επιλέξτε τη χαμηλότερη σκάλα κοπής. (⇒ 13.6)
- Αφαιρέστε το χορτοσυλλέκτη. (⇒ 13.10)
- Αποσυνδέστε τον αγωγό εξαγωγής. (⇒ 15.5)

#### Λύσιμο καλύμματος ιμάντα:

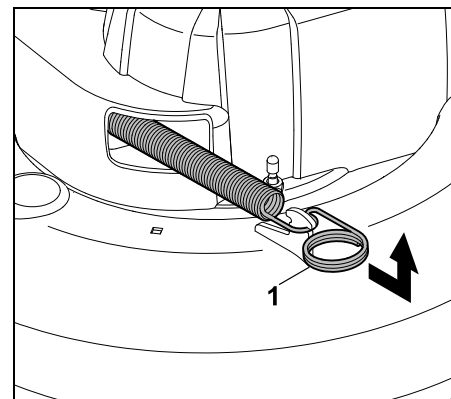


Ξεβιδώστε τη βίδα (1) πίσω από τον δεξιό μπροστινό τροχό μέχρι να περιστρέφεται ελεύθερα.



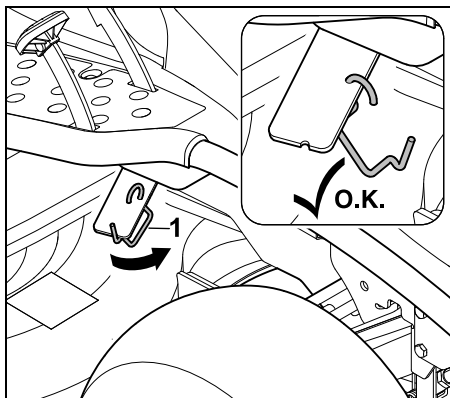
Πιέστε την πλάκα συγκράτησης (1) προς τα μπροστά και κρατήστε την. Γυρίστε το κάλυμμα του ιμάντα (2) προς τα κάτω.

#### Χαλάρωμα ιμάντα (RT 5097, RT 5097 Z):

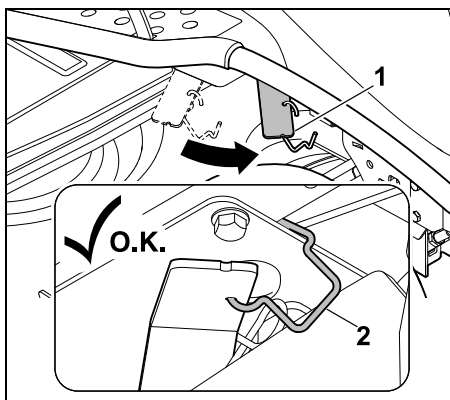


Τραβήξτε το ελατήριο τάσης (1) προς τα μπροστά, ξεκρεμάστε το και αφήστε το στην άκρη.

## Χαλάρωμα ιμάντα (RT 5112 Z, RT 6112 ZL, RT 6127 ZL):



Ξεκρεμάστε το άγκιστρο συγκράτησης (1) από τον μοχλό της διάταξης τάνυσης ιμάντα.



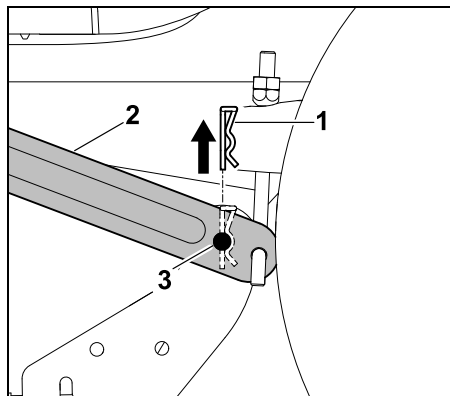
Πιέστε τον μοχλό διάταξης τάνυσης ιμάντα (1) προς τα μπροστά και κρατήστε τον σε αυτή τη θέση. Κρεμάστε το άγκιστρο συγκράτησης (2) στο πλαίσιο με τον τρόπο που απεικονίζεται. Προσέξτε ώστε ο μοχλός της διάταξης τάνυσης ιμάντα να είναι σταθεροποιημένος στην μπροστινή θέση.

## Αφαίρεση συστήματος κοπής από την πίσω πλευρά:



### Κίνδυνος τραυματισμών!

Ο μοχλός ρύθμισης ύψους κοπής βρίσκεται υπό τάση μετά το ξεκρέμασμα του συστήματος κοπής. Για τον λόγο αυτό ρυθμίστε προσεκτικά την ψηλότερη σκάλα κοπής μετά το ξεκρέμασμα.

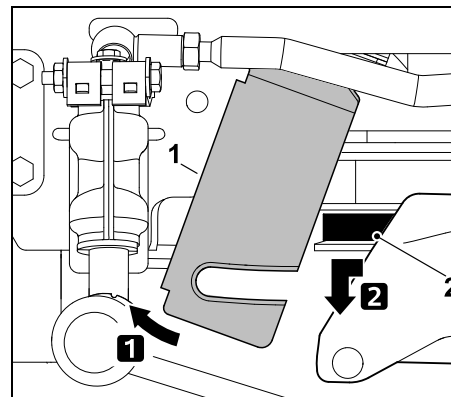


Τραβήξτε προς τα επάνω την περόνη ασφάλισης (1).

Ανασηκώστε ελαφρά το σύστημα κοπής και κρατήστε το σε αυτή τη θέση. Πιέστε την ανάρτηση (2) προς τα έξω και αφαιρέστε τον πείρο στερέωσης (3) από την ανάρτηση.

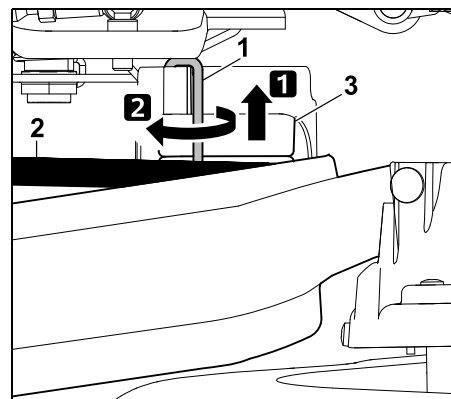
- Επαναλάβετε τη διαδικασία και στη δεύτερη πλευρά.
- Αποθέστε αργά και προσεκτικά το σύστημα κοπής.

## Ξεκρέμασμα ιμάντα:



Πιέστε την πλάκα συγκράτησης (1) προς τα μπροστά και κρατήστε την σε αυτή τη θέση. Τραβήξτε τον ιμάντα (2) προς τα μπροστά και ξεκρεμάστε τον.

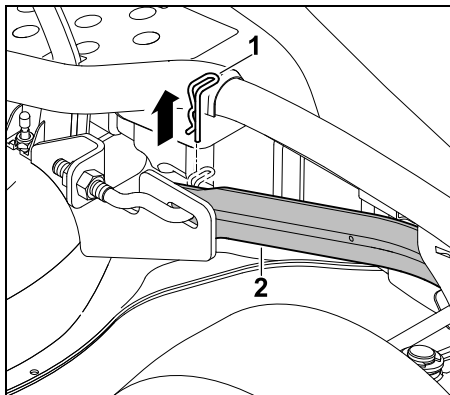
## Αφαίρεση ιμάντα από την τροχαλία τάνυσης (RT 5112 Z, RT 6112 ZL, RT 6127 ZL):



Πιέστε τον πείρο ασφάλισης (1) για περίπου 0,5 cm προς τα επάνω και στρίψτε τον κατά 180°. Ξεκρεμάστε τον ιμάντα (2) από την τροχαλία τάνυσης (3).

**i** Μετά το ξεκρέμασμα του ιμάντα στρίψτε πάλι προς τα πίσω και πιέστε τον πείρο ασφάλισης προς τα κάτω μέχρι τέρματος, ώστε να κουμπώσει στο κάλυμμα. Ελέγξτε τη σταθερή θέση του πείρου ασφάλισης αφού κουμπώσει.

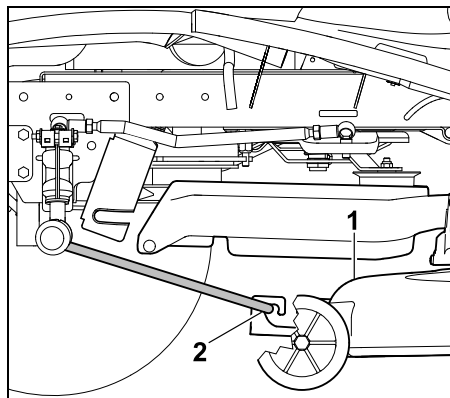
**Αφαίρεση συστήματος κοπής από την μπροστινή πλευρά (RT 5097, RT 5097 Z):**



Τραβήξτε την περόνη ασφάλισης (1). Ανασηκώστε ελαφρά το σύστημα κοπής και αφαιρέστε το από την μπροστινή ανάρτηση του συστήματος (2). Αφήστε προσεκτικά το σύστημα κοπής.

- Επαναλάβετε τη διαδικασία στη δεύτερη πλευρά.
- Αποθέστε αργά και προσεκτικά το σύστημα κοπής.

**Αφαίρεση συστήματος κοπής από την μπροστινή πλευρά (RT 5112 Z, RT 6112 ZL, RT 6127 ZL):**

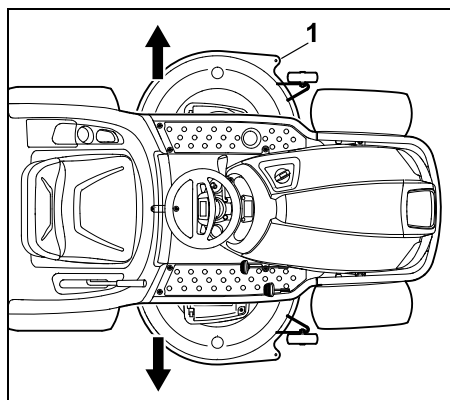


Πιέστε το σύστημα κοπής (1) παράλληλα προς τα μπροστά και ξεκρεμάστε το από την μπροστινή ανάρτηση του συστήματος (2). Η ανάρτηση διπλώνει αυτόματα προς τα επάνω.

- Αποθέστε αργά και προσεκτικά το σύστημα κοπής.

**Αφαίρεση συστήματος κοπής:**

- Ρυθμίστε την υψηλότερη σκάλα κοπής.



Τραβήξτε το σύστημα κοπής (1) έξω από το χλοοκοπτικό τρακτέρ, προς τα αριστερά ή προς τα δεξιά.

**14.2 Τοποθέτηση συστήματος κοπής**

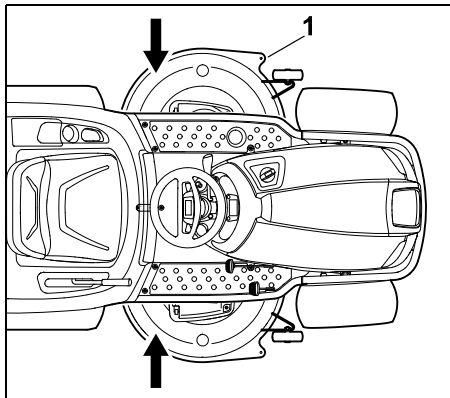
**⚠ Κίνδυνος τραυματισμών!** Πριν από κάθε εργασία στο σύστημα κοπής, διαβάστε με προσοχή και ακολουθήστε τις υποδείξεις του κεφαλαίου "Για τη δική σας ασφάλεια". (⇒ 4.)

Κατά τη συναρμολόγηση παρουσιάζεται **κίνδυνος σύνθλιψης** λόγω του ιδίου βάρους του συστήματος κοπής. Για το λόγο αυτό, θα πρέπει πριν την αφαίρεση να προσέξετε ώστε να μην υπάρχει κάτω από το σύστημα κοπής κάποιο μέλος του σώματός σας (δάκτυλα, χέρια, πόδια κ.λπ.).

- Τοποθετήστε το εργαλείο σε ένα επίπεδο και σταθερό υπόστρωμα.
- Στρίψτε τους μπροστινούς τροχούς προς τα αριστερά ή προς τα δεξιά.
- Θέστε τον κινητήρα εσωτερικής καύσης εκτός λειτουργίας. (⇒ 13.3)
- Αφαιρέστε το κλειδί μίζας.
- Ενεργοποιήστε το φρένο στάθμευσης. (⇒ 8.14)
- Επιλέξτε τη μέγιστη σκάλα κοπής. (⇒ 13.6)
- Αφαιρέστε το χορτοσυλλέκτη. (⇒ 13.10)
- Αποσυνδέστε τον αγωγό εξαγωγής. (⇒ 15.5)

### Τοποθέτηση συστήματος κοπής:

- Τοποθετήστε τον ιμάντα στο άνοιγμα του καλύμματος ιμάντα με τέτοιο τρόπο ώστε να είναι προσβάσιμος και να μπορεί να περαστεί.



Περάστε το σύστημα κοπής (1) από αριστερά ή δεξιά, κάτω από το χλοοκοπτικό τρακτέρ.

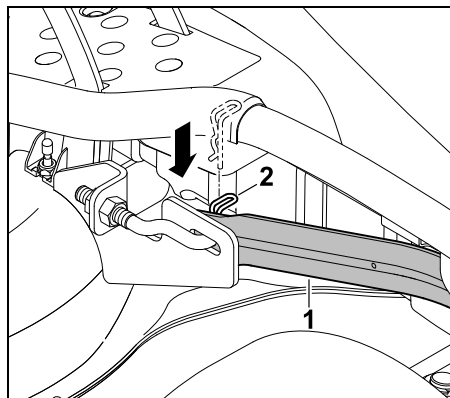
- Επιλέξτε τη χαμηλότερη σκάλα κοπής.



#### **Κίνδυνος τραυματισμών!**

Στη χαμηλότερη σκάλα κοπής ο μοχλός ρύθμισης του ύψους κοπής είναι τεντωμένος. Κατά τη διαδικασία τοποθέτησης του συστήματος κοπής μην αγγίζετε το μοχλό ρύθμισης ύψους κοπής.

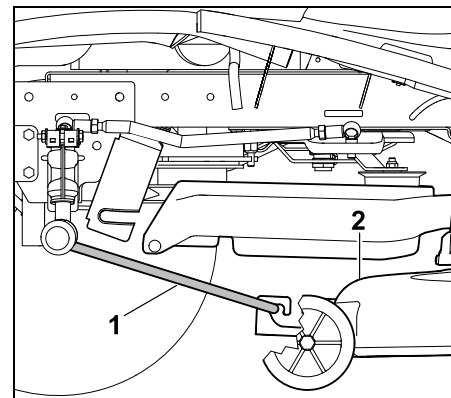
### Κρέμασμα συστήματος κοπής στην μπροστινή πλευρά (RT 5097, RT 5097 Z):



Τραβήξτε προς τα κάτω την μπροστινή ανάρτηση του συστήματος κοπής (1) και κρατήστε την σε αυτή τη θέση. Ανασηκώστε ελαφρά το σύστημα κοπής με το ένα χέρι και εισαγάγετε τον πείρο ανάρτησης στην οπή της ανάρτησης του συστήματος κοπής μπροστά (1). Περάστε την περόνη ασφάλισης (2) μέσα από την οπή στον πείρο στερέωσης.

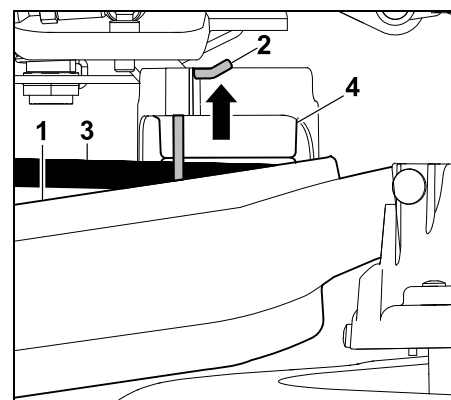
- Επαναλάβετε τη διαδικασία στη δεύτερη πλευρά.

### Κρέμασμα συστήματος κοπής στην μπροστινή πλευρά (RT 5112 Z, RT 6112 ZL, RT 6127 ZL):

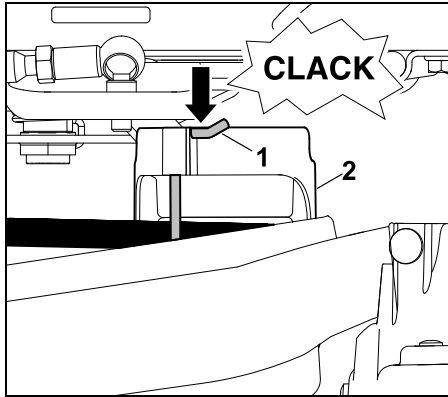


Διπλώστε την μπροστινή ανάρτηση του συστήματος κοπής (1) προς τα κάτω και κρεμάστε τη στο σύστημα κοπής (2) με τον τρόπο που απεικονίζεται. Σπρώξτε το σύστημα κοπής (2) προς τα πίσω και στερεώστε την μπροστινή ανάρτηση (1) στο σύστημα κοπής.

### Κρέμασμα ιμάντα στην τροχαλία τάνυσης RT 5112 Z, RT 6112 ZL, RT 6127 ZL:



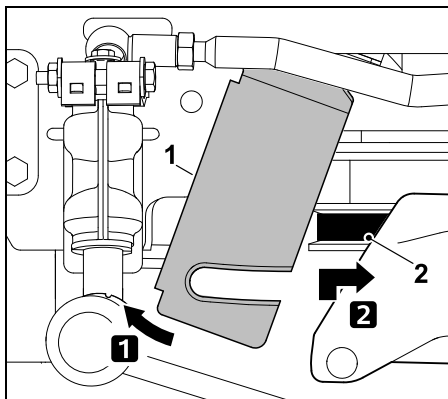
Πιέστε το κάλυμμα (1) προς τα κάτω και κρατήστε τον σε αυτήν τη θέση. Σπρώξτε τον πείρο ασφάλισης (2) για περίπου 0,5 cm προς τα επάνω. Περάστε τον ιμάντα (3) στην τροχαλία τάνυσης (4).



Πιέστε τον πείρο ασφάλισης (1) προς τα κάτω μέχρι τέρμα. Ο πείρος ασφάλισης (1) πρέπει να κουμπώνει στο κάλυμμα (2).

**i** Ελέγξτε την ασφαλή και σταθερή θέση του πείρου ασφάλισης.

**RT 5097, RT 5097 Z, RT 5112 Z, RT 6112 ZL, RT 6127 ZL:**



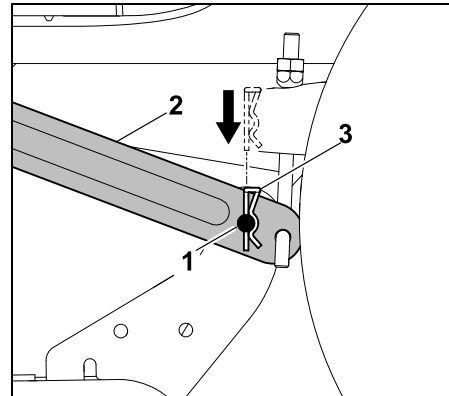
Πιέστε την πλάκα συγκράτησης (1) προς τα μπροστά και κρατήστε την σε αυτή τη θέση. Τραβήξτε προς τα μπροστά τον ιμάντα (2) και ανασηκώστε τον μαζί με το κάλυμμα ιμάντα.

Κρεμάστε τον ιμάντα (2) στην τροχαλία ιμάντα με τον σωστό τρόπο (χωρίς συστροφές).

**Τοποθέτηση του συστήματος κοπής στην πίσω πλευρά:**

**i** Πριν από την τοποθέτηση, βεβαιωθείτε ότι το σύστημα κοπής έχει αναρτηθεί σωστά στην μπροστινή ανάρτηση του συστήματος κοπής.

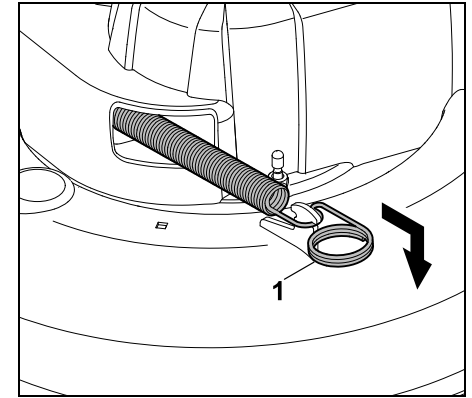
- Ανασηκώστε και κρατήστε το σύστημα κοπής με το ένα χέρι. Οι οπές της ανάρτησης και οι πείροι στερέωσης στο σύστημα κοπής πρέπει να είναι ευθυγραμμισμένες.



Περάστε τους πείρους στερέωσης (1) στην οπή της ανάρτησης (2). Τοποθετήστε την περόνη ασφαλείας (3) από επάνω στις οπές των πείρων στερέωσης και αφήστε τη να κουμπώσει.

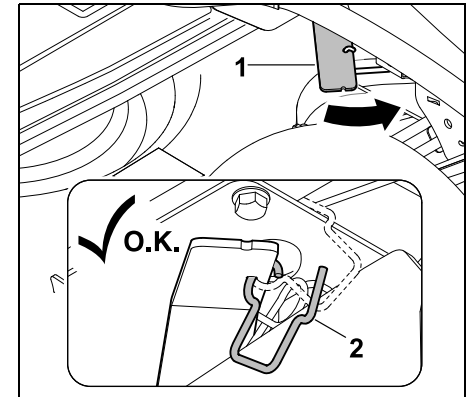
- Επαναλάβετε τη διαδικασία και στη δεύτερη πλευρά.

**Τάνυση ιμάντα (RT 5097, RT 5097 Z):**

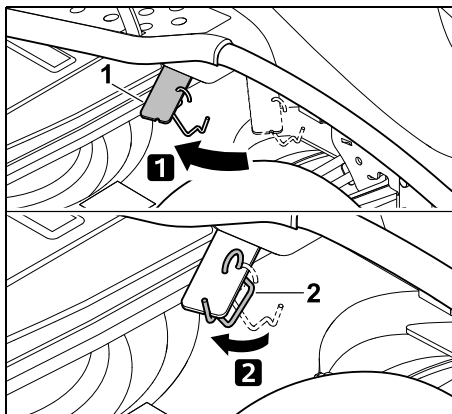


Τραβήξτε το ελατήριο τάνυσης (1) προς τα μπροστά και κρεμάστε το σύστημα κοπής.

**Τάνυση ιμάντα (RT 5112 Z, RT 6112 ZL, RT 6127 ZL):**

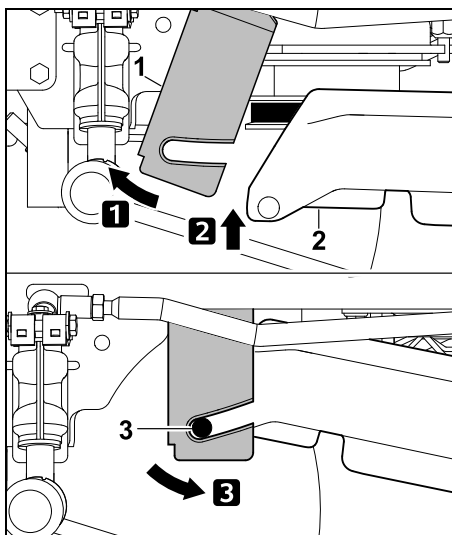


Πιέστε τον μοχλό διάταξης τάνυσης ιμάντα (1) προς τα μπροστά και κρατήστε τον σε αυτή τη θέση. Ξεκρεμάστε το άγκιστρο συγκράτησης (2).



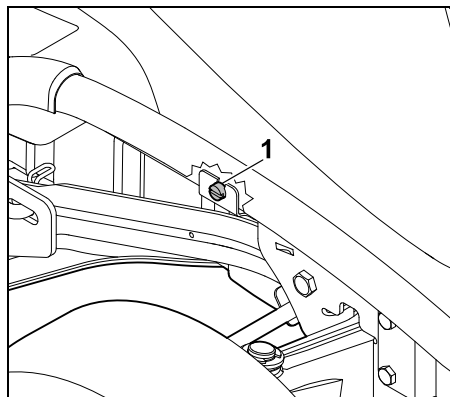
Τανύστε τον ιμάντα εκτονώνοντας τον μοχλό της διάταξης τάνυσης ιμάντα (1). Κρεμάστε το άγκιστρο συγκράτησης (2) με τον τρόπο που απεικονίζεται στον μοχλό της διάταξης τάνυσης ιμάντα (1).

#### Τοποθέτηση καλύμματος ιμάντα:



Πιέστε την πλάκα συγκράτησης (1) προς τα μπροστά και κρατήστε την. Γυρίστε το κάλυμμα του ιμάντα (2) προς τα επάνω.

Περάστε την πλάκα συγκράτησης (1) προς τα πίσω και κρεμάστε την με τα δύο ρύγχη συγκράτησης (3) στο κάλυμμα ιμάντα.



Στερεώστε την πλάκα συγκράτησης με τη βίδα (1).

- Τοποθετήστε τον αγωγό εξαγωγής. (⇒ 15.6)

## 15. Συντήρηση



### Κίνδυνος τραυματισμών!

Πριν από όλες τις εργασίες συντήρησης και επισκευής, διαβάστε με προσοχή και ακολουθήστε τις υποδείξεις του κεφαλαίου «Για τη δική σας ασφάλεια» και ειδικότερα την ενότητα «Συντήρηση και επισκευές». (⇒ 4.)

Αφαιρέστε το κλειδί μίζας, για να αποτρέψετε την αθλήτη ενεργοποίηση του κινητήρα εσωτερικής καύσης.



Εργάζεστε πάντοτε φορώντας γάντια.



Σε καμία περίπτωση μην αγγίξετε τα μαχαίρια κοπής εάν αυτά δεν έχουν ακινητοποιηθεί εντελώς.

Για λόγους ασφαλείας, απαγορεύονται οι εργασίες συντήρησης στο φρένο. Όλες οι εργασίες ρύθμισης και συντήρησης θα πρέπει να πραγματοποιούνται αποκλειστικά από εμπορικό αντιπρόσωπο.

Η STIHL προτείνει τον εμπορικό αντιπρόσωπο STIHL.

### Γενικές υποδείξεις σχετικά με τη συντήρηση:

- Τηρείτε πιστά το πρόγραμμα και τα προβλεπόμενα χρονικά διαστήματα συντήρησης.
- Τηρείτε το πρόγραμμα συντήρησης και τις εργασίες συντήρησης που αναφέρονται στην οδηγίες χρήσης του κινητήρα εσωτερικής καύσης.

## Πριν από τις εργασίες συντήρησης, επισκευής και καθαρισμού:

- Τοποθετήστε το εργαλείο σε μία επίπεδη και σταθερή επιφάνεια.
- Θέστε τον κινητήρα εσωτερικής καύσης εκτός λειτουργίας. (⇒ 13.3)
- Ενεργοποιήστε το φρένο στάθμευσης. (⇒ 8.14)
- Αφήστε τον κινητήρα εσωτερικής καύσης και τον σιγαστήρα εξάτμισης να κρυώσει τελείως.

## Οι παρακάτω εργασίες συντήρησης και επισκευής αναφέρονται στις οδηγίες χρήσης του κινητήρα εσωτερικής καύσης:

- Αντικατάσταση φίλτρου αέρα.
- Στοιχεία σχετικά με το λιπαντικό κινητήρα (τύπος, ποσότητα πλήρωσης λαδιού κ.λπ.).
- Έλεγχος και αντικατάσταση μπουζί.
- Αντικατάσταση φίλτρου καυσίμου.
- Καθαρισμός κινητήρα εσωτερικής καύσης.

### 15.1 Πρόγραμμα συντήρησης

Όλες οι υποδείξεις που αναφέρονται στο πρόγραμμα συντήρησης πρέπει να τηρούνται πιστά.

Η μη τήρηση του προγράμματος συντήρησης μπορεί να προκαλέσει σημαντικές ζημιές στο εργαλείο.



### Υπόδειξη

Λόγω υπερβολικής καταπόνησης, ιδιαίτερα κατά την επαγγελματική χρήση, ενδέχεται να απαιτούνται μικρότερα χρονικά διαστήματα συντήρησης από αυτά που αναφέρονται στο παρόν. Επιπλέον, μικρότερα χρονικά διαστήματα συντήρησης από αυτά που αναφέρονται στις οδηγίες χρήσης ενδέχεται να απαιτούνται εξαιτίας ακραίων εξωτερικών συνθηκών, όπως αμμώδεις ή πετρώδεις έδαφος, σκόνη κ.λπ. Κάθε 100 ώρες λειτουργίας ή μία φορά το χρόνο απαιτείται επιθεώρηση από εμπορικό αντιπρόσωπο. Η STIHL προτείνει τον εμπορικό αντιπρόσωπο STIHL.

### Ένδειξη ωρών λειτουργίας (RT 6112 ZL, RT 6127 ZL):

Για να μπορούν να τηρηθούν τα χρονικά διαστήματα συντήρησης, τα χλοοκοπτικά τρακτέρ RT 6112 ZL, RT 6127 ZL εξοπλίζονται με έναν μετρητή ωρών λειτουργίας. Οι ώρες λειτουργίας εμφανίζονται σε ολόκληρες ώρες.

- Με τον **κινητήρα εσωτερικής καύσης εκτός λειτουργίας** γυρίστε το κλειδί μίζας στη θέση «Ανάφλεξη ενεργοποιημένη». (⇒ 8.1)  
Στην οθόνη εμφανίζονται για 5 δευτερόλεπτα οι ώρες λειτουργίας. (⇒ 10.1)
- Με τον **κινητήρα εσωτερικής καύσης σε λειτουργία** πιέστε το πλήκτρο Mode. (⇒ 10.3)  
Στην οθόνη εμφανίζονται για 5 δευτερόλεπτα οι ώρες λειτουργίας.

## Εργασίες συντήρησης πριν από κάθε χρήση:

Για να εξασφαλιστεί η αποδοτική και ασφαλής λειτουργία, αλλά και για να αποφευχθούν οι βλάβες, είναι σημαντικό να γνωρίζετε σε τι κατάσταση βρίσκεται το εργαλείο.

Για το σκοπό αυτό απαιτούνται οι ακόλουθοι έλεγχοι πριν από κάθε εκκίνηση (οπτικός έλεγχος):

- Πίεση ελαστικών. (⇒ 15.16)
- Φθορά και ζημιές στα ελαστικά.
- Στεγανότητα των σωληνώσεων καυσίμου.
- Στάθμη λιπαντικού κινητήρα (ανατρέξτε στις οδηγίες χρήσης του κινητήρα εσωτερικής καύσης).
- Στάθμη καυσίμου.
- Γενικός οπτικός έλεγχος στο εργαλείο και στο σύστημα κοπής. Ειδικότερα πρέπει να ελέγχονται τα προστατευτικά καλύμματα για τυχόν ζημιές.
- Σωστή εφαρμογή των κοχλιοσυνδέσεων.

## Εργασίες συντήρησης έπειτα από κάθε χρήση:

- Καθαρίστε ολόκληρο το εργαλείο (σύστημα κοπής, αγωγός εξαγωγής, χορτοσυλλέκτης) και όλα τα προσαρμοζόμενα μηχανήματα.
- Προσέξτε τις υποδείξεις για τον καθαρισμό του κινητήρα εσωτερικής καύσης (βλέπε οδηγίες χρήσης κινητήρα εσωτερικής καύσης).
- Καθαρίστε το κιβώτιο μετάδοσης απομακρύνοντας τα υπολείμματα χόρτου (σκούπισμα) και άλλες ακαθαρσίες.

- Ελέγξτε τα πτερύγια ψύξης του κινητήρα εσωτερικής καύσης και του υδροστατικού κιβωτίου, αν χρειαστεί καθαρίστε τα.

### Εργασίες συντήρησης έπειτα από τις 10 πρώτες ώρες λειτουργίας (πρώτη χρήση):

- Προτείνεται μια επιθεώρηση από τον εμπορικό σας αντιπρόσωπο. Η STIHL προτείνει τον εμπορικό αντιπρόσωπο STIHL.

### Εργασίες συντήρησης μετά από κάθε 25 ώρες λειτουργίας:


- Ελέγξτε τη στήριξη και τα όρια φθοράς των μαχαιριών κοπής.
- Έλεγχος θέσης τοποθέτησης των μαχαιριών κοπής (RT 5112 Z, RT 6112 ZL, RT 6127 ZL).

### Εργασίες συντήρησης έπειτα από κάθε 50 ώρες λειτουργίας:

- Έλεγχος της θέσης τοποθέτησης του συστήματος κοπής. (⇒ 15.14)

### Εργασίες συντήρησης έπειτα από κάθε 100 ώρες λειτουργίας:

- Αλλαγή των μαχαιριών κοπής.
- Συντήρηση ιμάντα και οδοντωτού ιμάντα.
- Επιθεώρηση από τον εμπορικό αντιπρόσωπο. Η STIHL προτείνει τον εμπορικό αντιπρόσωπο STIHL.

 Στην επιθεώρηση εκτελούνται όλες οι απαραίτητες εργασίες συντήρησης στο σύστημα φρένων και το κιβώτιο μετάδοσης.

## 15.2 Καθαρισμός εργαλείου



**Αποφύγετε τις ζημιές στο εργαλείο!** Μην ρίχνετε ποτέ νερό υπό πίεση (με μηχανήμα καθαρισμού υψηλής πίεσης) στα εξαρτήματα του κινητήρα, τις μονώσεις, τα ηλεκτρικά εξαρτήματα (μπαταρία, κορμός καλωδίων κ.λπ.) και τα σημεία έδρασης. Αυτό μπορεί να προκαλέσει ζημιές για τις οποίες απαιτούνται δαπανηρές επισκευές.

Μη χρησιμοποιείτε σκληρά καθαριστικά μέσα. Τα καθαριστικά αυτά μπορούν να προκαλέσουν φθορές στα πλαστικά και μεταλλικά μέρη, υποβαθμίζοντας την ασφαλή λειτουργία του εργαλείου STIHL. Εάν οι βρωμιές δεν μπορούν να αφαιρεθούν με νερό, με βούρτσα ή με ένα πανί, η STIHL προτείνει τη χρήση ενός ειδικού καθαριστικού (π.χ. ειδικό καθαριστικό STIHL).



Αφαιρείτε πάντοτε το σύστημα κοπής για τις εργασίες καθαρισμού και συντήρησης.

- Θέστε τον κινητήρα εσωτερικής καύσης εκτός λειτουργίας. (⇒ 13.3)
- Ενεργοποιήστε το φρένο στάθμευσης. (⇒ 8.14)
- Αφαιρέστε το κλειδί μίζας και φυλάξτε το σε ασφαλές μέρος.
- Αφαιρέστε το σύστημα κοπής. (⇒ 14.1)
- Με μια ξύλινη βέργα, αφαιρέστε πρώτα τα υπολείμματα χόρτου που έχουν συσσωρευθεί στο περίβλημα του συστήματος κοπής.

- Καθαρίστε το κάτω μέρος του συστήματος κοπής με βούρτσα και νερό.
- Κατά τον καθαρισμό του επάνω τμήματος του συστήματος κοπής προσέξτε ώστε να μην πέσει νερό επάνω στον ιμάντα και τον οδοντωτό ιμάντα – μη τρέψετε ποτέ τη δέσμη νερού στα ανοίγματα των καλυμμάτων.
- Καθαρίστε τον αγωγό εξαγωγής με τρεχούμενο νερό και βούρτσα, αφού τον αποσυναρμολογήσετε και τον απομακρύνετε από το εργαλείο.
- Απομακρύνετε τα υπολείμματα χόρτου από το σύστημα κοπής (επάνω και κάτω πλευρά), τον χώρο του κινητήρα και το κιβώτιο μετάδοσης. Καθαρίστε τα πτερύγια ψύξης του κινητήρα εσωτερικής καύσης και του κιβωτίου μετάδοσης.
- Καθαρίστε τα μαχαίρια κοπής με βούρτσα και νερό – σε καμία περίπτωση δεν πρέπει να χτυπήσετε επάνω στα μαχαίρια (π. χ. με ένα σφυρί) για να ξεκολλήσουν οι ρύποι.
- Αφαιρέστε το χορτοσυλλέκτη και καθαρίστε τον με τρεχούμενο νερό και βούρτσα, αφού τον αποσυνδέσετε και τον απομακρύνετε από το εργαλείο. (⇒ 13.10)

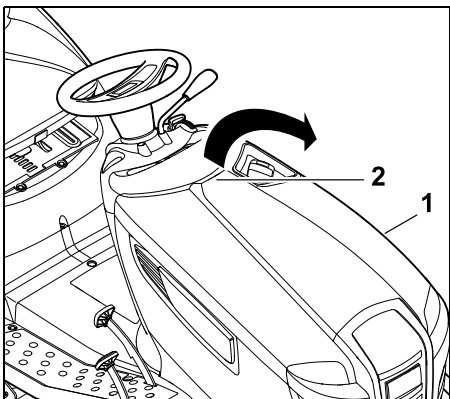
## 15.3 Άνοιγμα καλύμματος κινητήρα



### Κίνδυνος εγκαυμάτων!

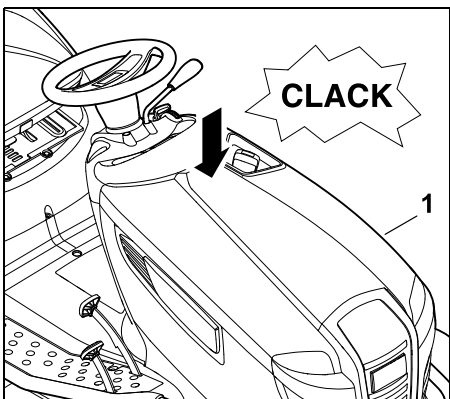
Ανοίγετε το κάλυμμα κινητήρα μόνο όταν ο κινητήρας εσωτερικής καύσης είναι κρύος.





Πιάστε το κάλυμμα κινητήρα (1) με το χέρι από τη λαβή (2) και ανοίξτε τον προς τα επάνω σπρώχνοντας ελαφρά. Διπλώστε το κάλυμμα κινητήρα (1) προς τα μπροστά μέχρι τέρμα.

#### 15.4 Κλείσιμο καλύμματος κινητήρα



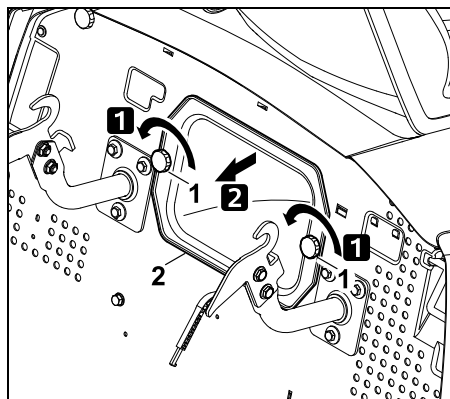
Κλείστε το κάλυμμα του κινητήρα (1) προσεκτικά και αργά και κουμπώστε το.

#### 15.5 Αποσύνδεση αγωγού εξαγωγής

Ο αγωγός εξαγωγής μπορεί να αφαιρεθεί χωρίς επιπρόσθετα εργαλεία για τον καθαρισμό του. Δεν είναι δυνατή η θέση του κινητήρα εσωτερικής καύσης σε λειτουργία με αφαιρεμένο τον αγωγό εξαγωγής.

**Πριν από την αποσύνδεση θα πρέπει να προσέξετε τα παρακάτω σημεία:**

- Θέστε τον κινητήρα εσωτερικής καύσης εκτός λειτουργίας. (⇒ 13.3)
- Αφαιρέστε το κλειδί μίζας και φυλάξτε το σε ασφαλές μέρος.
- Ενεργοποιήστε το φρένο στάθμευσης. (⇒ 8.14)
- Αφαιρέστε το χορτοσυλλέκτη. (⇒ 13.10)



Ξεβιδώστε τα παξιμάδια (1), τραβήξτε προς τα έξω τον αγωγό εξαγωγής (2).

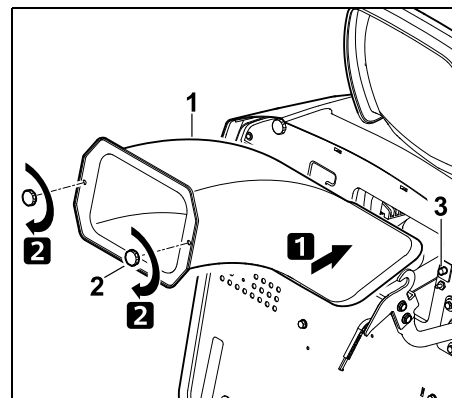
**i** Στα μοντέλα RT 6112 ZL και RT 6127 ZL εμφανίζεται στην οθόνη το σύμβολο «Ο αγωγός εξαγωγής έχει αφαιρεθεί», όταν το κλειδί μίζας βρίσκεται στη θέση «Ενεργοποίηση φώτων» ή «Ενεργοποίηση ανάφλεξης». (⇒ 10.5)

#### 15.6 Σύνδεση αγωγού εξαγωγής

**i** Σε κάθε καθαρισμό ή σε κάθε τοποθέτηση του αγωγού εξαγωγής θα πρέπει επιπλέον να ελέγχετε τον αισθητήρα στάθμης πλήρωσης (χορτοσυλλέκτης) και να τον καθαρίζετε εάν χρειάζεται.

**Πριν από την τοποθέτηση θα πρέπει να προσέξετε τα παρακάτω σημεία:**

- Ενεργοποιήστε το φρένο στάθμευσης. (⇒ 8.14)
- Αφαιρέστε το χορτοσυλλέκτη. (⇒ 13.10)
- Επιλέξτε τη χαμηλότερη σκάλα κοπής.



Σπρώξτε τον αγωγό εξαγωγής (1) μέχρι το τέρμα. Κατά την τοποθέτηση, προσέξτε ώστε ο αγωγός εξαγωγής να είναι

περασμένος επάνω από το άνοιγμα εξαγωγής του συστήματος κοπής σε όλες τις πλευρές.

Βιδώστε τα παξιμάδια (2) και σφίξτε τα.



#### Προειδοποίηση!

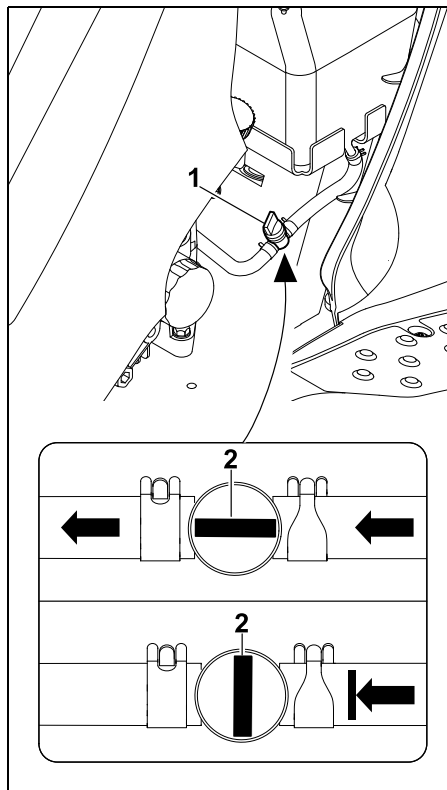
Ο αγωγός εξαγωγής ανήκει στα προστατευτικά καλύμματα. Μη θέτετε το χλοοκοπτικό τρακτέρ σε λειτουργία εάν ο αγωγός εξαγωγής παρουσιάζει ζημιά.

Κατά την τοποθέτηση του αγωγού εξαγωγής προσέξτε ώστε ο να πατηθεί ο διακόπτης επαφής (3).

### 15.7 Βάνα καυσίμου

Ανοιγοκλείνοντας τη βάνα καυσίμου απελευθερώνεται ή διακόπτεται αντίστοιχα η ροή του καυσίμου στον αγωγό καυσίμου. Η βάνα καυσίμου βρίσκεται αριστερά, κάτω από το ρεζερβουάρ καυσίμου.

- Θέστε τον κινητήρα εσωτερικής καύσης εκτός λειτουργίας. (⇒ 13.3)
- Ενεργοποιήστε το φρένο στάθμευσης. (⇒ 8.14)



Η βάνα καυσίμου (1) ανοίγει και κλείνει με περιστροφή της βαλβίδας ρύθμισης (2).

### 15.8 Έλεγχος στάθμης πλήρωσης του λιπαντικού κινητήρα

- Τοποθετήστε το εργαλείο σε επίπεδη και σταθερή επιφάνεια.
- Θέστε τον κινητήρα εσωτερικής καύσης εκτός λειτουργίας. (⇒ 13.3)
- Ενεργοποιήστε το φρένο στάθμευσης. (⇒ 8.14)
- Αφήστε τον κινητήρα εσωτερικής καύσης να κρυώσει.

- Ανοίξτε το κάλυμμα κινητήρα. (⇒ 15.3)
- Ελέγξτε τη στάθμη λιπαντικού του κινητήρα σύμφωνα με τις οδηγίες χρήσης του κινητήρα εσωτερικής καύσης - εάν χρειαστεί συμπληρώστε λιπαντικό κινητήρα. (⇒ 15.10)

### 15.9 Αλλαγή λιπαντικού κινητήρα



#### Κίνδυνος τραυματισμών!

Πριν από την αναπλήρωση ή την αλλαγή λιπαντικών κινητήρα, αφήστε τον κινητήρα εσωτερικής καύσης να κρυώσει τελείως. Κίνδυνος εγκαυμάτων από το καυτό λιπαντικό κινητήρα.

Πληροφορίες για τις προβλεπόμενες ποσότητες πλήρωσης και τους κατάλληλους τύπους λιπαντικού κινητήρα θα βρείτε στις οδηγίες χρήσης του κινητήρα εσωτερικής καύσης. Αλλάξτε το λιπαντικό όταν ο κινητήρας εσωτερικής καύσης είναι ζεστός. Τοποθετήστε ένα κατάλληλο δοχείο συλλογής λιπαντικού (λάβετε υπόψη την ποσότητα πλήρωσης λαδιού) κάτω από το σωλήνα εκροής λαδιού.

Τα χρησιμοποιημένα λιπαντικά θα πρέπει να απορρίπτονται σύμφωνα με τις τοπικές διατάξεις.

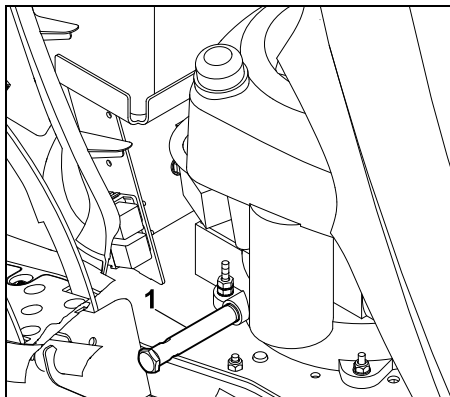
#### Χρονικά διαστήματα αλλαγής λιπαντικών:

Τα προτεινόμενα χρονικά διαστήματα αλλαγής λιπαντικών αναφέρονται στις οδηγίες χρήσης του κινητήρα εσωτερικής καύσης.

#### Εκροή λιπαντικού κινητήρα:

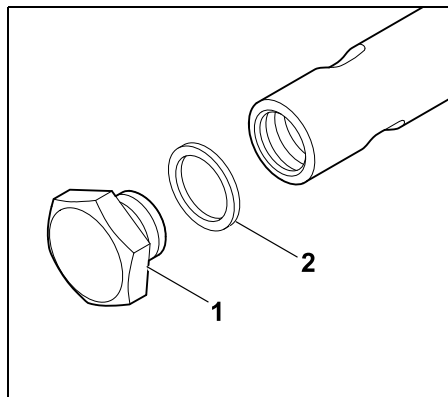
- Θέστε τον κινητήρα εσωτερικής καύσης εκτός λειτουργίας. (⇒ 13.3)
- Εφαρμόστε το φρένο στάθμευσης. (⇒ 8.14)

- Αφαιρέστε το κλειδί μίζας και φυλάξτε το σε ασφαλές μέρος.
- Αφήστε τον κινητήρα εσωτερικής καύσης να κρυώσει (θερμοκρασία περιβάλλοντος).
- Ανοίξτε το κάλυμμα κινητήρα. (⇒ 15.3)
- Ξεβιδώστε την τάπα λιπαντικού (δείτε τις οδηγίες χρήσης του κινητήρα εσωτερικής καύσης).



Ο σωλήνας εκροής λαδιού (1) βρίσκεται στη δεξιά πλευρά του κινητήρα εσωτερικής καύσης, κοντά στα δύο πεντάλ.

- Τοποθετήστε από κάτω ένα κατάλληλο δοχείο συλλογής λιπαντικού.



Ξεβιδώστε την τάπα εκροής (1) με τη βοήθεια δύο κλειδιών (SW19 / SW15) και αφαιρέστε την. Απορρίψτε τον δακτύλιο στεγανοποίησης (2).

- Αδειάστε τελείως τον λιπαντικό κινητήρα. Έπειτα, τοποθετήστε νέο δακτύλιο στεγανοποίησης (2) στην τάπα εκροής (1). Βιδώστε την τάπα εκροής στον σωλήνα εκροής λαδιού και σφίξτε με ροπή **12 - 14 Nm**.

## 15.10 Πλήρωση λιπαντικού κινητήρα



### Αποφύγετε τις ζημιές στο εργαλείο!

Αποφεύγετε την ελλιπή και υπερβολική πλήρωση λιπαντικού κινητήρα πέραν της ενδεικνυόμενης στάθμης.

- Ανοίξτε το κάλυμμα κινητήρα. (⇒ 15.3)
- Ελέγξτε τη στάθμη πλήρωσης του λιπαντικού κινητήρα. (⇒ 15.8)
- Συμπληρώστε λιπαντικό κινητήρα σύμφωνα με τις οδηγίες χρήσης του κινητήρα εσωτερικής καύσης - χρησιμοποιήστε κατάλληλη χοάνη.

- Κλείστε το κάλυμμα κινητήρα. (⇒ 15.4)

## 15.11 Έλεγχος διατάξεων ασφαλείας



### Κίνδυνος τραυματισμού!

Ο έλεγχος των διατάξεων ασφαλείας πρέπει να πραγματοποιείται μόνο από το κάθισμα οδηγού.

Κατά τη διάρκεια του ελέγχου δεν πρέπει να παραμένουν κοντά στο εργαλείο ζώα ή άτομα, κυρίως παιδιά.

Οι λειτουργίες όλων των διατάξεων ασφαλείας θα πρέπει να ελέγχονται τουλάχιστον μία φορά το μήνα. Έπειτα από παρατεταμένα χρονικά διαστήματα παύσης της λειτουργίας, σε εργαλεία που χρησιμοποιούνται ελάχιστα ή έπειτα από επισκευές, θα πρέπει να ελέγχονται πάντοτε όλες οι διατάξεις ασφαλείας πριν από την έναρξη λειτουργίας.

### Έλεγχος διακόπτη επαφής φρένου:

- Καθίστε στο κάθισμα οδηγού.
- Σβήστε τον κινητήρα εσωτερικής καύσης και περιμένετε μέχρι να ακινητοποιηθεί. (⇒ 13.3)
- Λύστε το φρένο στάθμευσης και **μην** πιέζετε το πεντάλ φρένων.
- Γυρίστε το κλειδί μίζας στη θέση "Εκκίνηση κινητήρα εσωτερικής καύσης". (⇒ 8.1)

Εάν λειτουργεί ο διακόπτης επαφής φρένων ο κινητήρας εσωτερικής καύσης δεν μπορεί να τεθεί σε λειτουργία.

#### Έλεγχος διακόπτη επαφής καθίσματος:

- Καθίστε στο κάθισμα οδηγού.
- Θέστε τον κινητήρα εσωτερικής καύσης σε λειτουργία (⇒ 13.2) και αφήστε τον να λειτουργήσει με τις μέγιστες στροφές. (⇒ 8.2), (⇒ 8.3)
- Συμπλέξτε το σύστημα κοπής. (⇒ 8.5), (⇒ 8.6)
- Σηκωθείτε αργά και προσεκτικά από το κάθισμα οδηγού ώστε να το αποφορτίσετε. Μην αποβιβαστείτε!

Όταν ο διακόπτης επαφής καθίσματος λειτουργεί, ο κινητήρας εσωτερικής καύσης τίθεται εκτός λειτουργίας.

#### Έλεγχος διακόπτη επαφής χορτοσυλλέκτη:

- Καθίστε στο κάθισμα οδηγού.
- Θέστε τον κινητήρα εσωτερικής καύσης σε λειτουργία (⇒ 13.2) και αφήστε τον να λειτουργήσει με τις μέγιστες στροφές. (⇒ 8.2), (⇒ 8.3)
- Συμπλέξτε το σύστημα κοπής. (⇒ 8.6), (⇒ 8.6)
- Από το κάθισμα οδηγού, γυρίστε προς τα επάνω (εκκενώστε) το χορτοσυλλέκτη με το μοχλό εκκένωσης χορτοσυλλέκτη. (⇒ 13.9)

Όταν ο διακόπτης επαφής χορτοσυλλέκτη λειτουργεί, ο κινητήρας εσωτερικής καύσης τίθεται εκτός λειτουργίας και το σύστημα κοπής αποσυμπλέκεται!

#### Έλεγχος διακόπτη επαφής αγωγού εξαγωγής:

- Αφαιρέστε τον αγωγό εξαγωγής (⇒ 15.5) και μετά τοποθετήστε ξανά τον χορτοσυλλέκτη. (⇒ 13.10)
- Καθίστε στο κάθισμα οδηγού.
- Πατήστε μέχρι τέρμα και κρατήστε πατημένο το πεντάλ φρένων. (⇒ 8.13)
- Γυρίστε το κλειδί μίζας στη θέση "Εκκίνηση κινητήρα εσωτερικής καύσης". (⇒ 8.1)

Εάν λειτουργεί ο διακόπτης επαφής του αγωγού εξαγωγής ο κινητήρας εσωτερικής καύσης δεν μπορεί να τεθεί σε λειτουργία.

#### Έλεγχος διακόπτη ασφαλείας για την κοπή χόρτου με οπισθοπορεία:

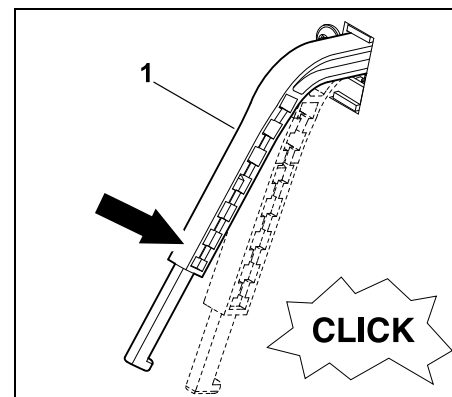
- Καθίστε στη θέση του οδηγού - **μην** πιέζετε τον διακόπτη ασφαλείας για την κοπή χόρτου με οπισθοπορεία.
- Θέστε τον κινητήρα εσωτερικής καύσης σε λειτουργία (⇒ 13.2) και αφήστε τον να λειτουργήσει με τις μέγιστες στροφές. (⇒ 8.2), (⇒ 8.3)
- Συμπλέξτε το σύστημα κοπής. (⇒ 8.5), (⇒ 8.6)
- Επιλέξτε την οπισθοπορεία και ξεκινήστε. (⇒ 8.9)

Εάν ο διακόπτης ασφαλείας για την κοπή χόρτου με οπισθοπορεία λειτουργεί σωστά, το σύστημα κοπής αποσυμπλέκεται μετά από 1 δευτερόλεπτο.

#### 15.12 Καθαρισμός αισθητήρα στάθμης πλήρωσης (χορτοσυλλέκτης)

Ο αισθητήρας στάθμης πλήρωσης (χορτοσυλλέκτης) μπορεί να λερωθεί κατά την κοπή βρεγμένου χόρτου. Αυτό ενδέχεται να επηρεάσει την απόδοσή του. Προληπτικά, ο αισθητήρας στάθμης πλήρωσης θα πρέπει να καθαρίζεται έπειτα από κάθε κοπή χόρτου ή έπειτα από τον καθαρισμό του αγωγού εξαγωγής.

- Θέστε τον κινητήρα εσωτερικής καύσης εκτός λειτουργίας. (⇒ 13.3)
- Αφαιρέστε το κλειδί μίζας και φυλάξτε το σε ασφαλές μέρος.
- Ενεργοποιήστε το φρένο στάθμευσης. (⇒ 8.14)
- Αφαιρέστε το χορτοσυλλέκτη. (⇒ 13.10)



Πιέστε ελαφρά τον αισθητήρα στάθμης πλήρωσης (χορτοσυλλέκτης) (1) προς τα κάτω. Ο αισθητήρας στάθμης πλήρωσης θα πρέπει να κινείται με ευκολία και να ακούγεται το χαρακτηριστικό "κλικ" του διακόπτη.

Μετά την απελευθέρωση του αισθητήρα στάθμης πλήρωσης, αυτός θα πρέπει να επανέλθει αυτόματα στην αρχική του θέση.

- Εάν ο αισθητήρας στάθμης πλήρωσης δεν κινείται με ευκολία ή είναι λερωμένος, θα πρέπει να καθαριστεί προσεκτικά με μια βούρτσα - μη χρησιμοποιείτε νερό.

### 15.13 Συντήρηση του μαχαριού κοπής



#### Κίνδυνος τραυματισμών!

Εργάζεστε πάντοτε φορώντας γάντια.

Εάν δεν διαθέτετε τις απαιτούμενες γνώσεις ή τα βοηθητικά εξαρτήματα, θα πρέπει να απευθύνεστε **πάντα** σε κάποιον εμπορικό αντιπρόσωπο (η STIHL προτείνει τον εμπορικό αντιπρόσωπο STIHL).

Σε καμία περίπτωση μην αγγίζετε τα μαχαίρια κοπής εάν αυτά δεν έχουν ακινητοποιηθεί εντελώς. Τοποθετείτε πάντοτε το σύστημα κοπής σε αντιολισθητικό υπόστρωμα.



#### Χρονικό διάστημα συντήρησης:

Κάθε 25 ώρες λειτουργίας

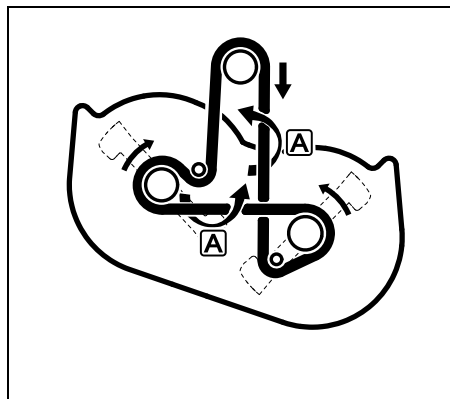
#### Εργασίες συντήρησης:

- Ελέγξτε τα όρια φθοράς των μαχαριών κοπής.

- RT 5112 Z, RT 6112 ZL, RT 6127 ZL: Ελέγξτε τη θέση τοποθέτησης των μαχαριών κοπής.

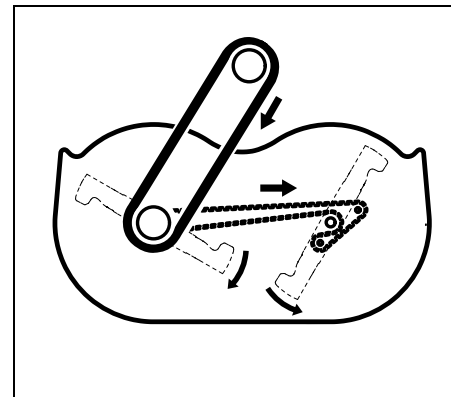
- Εάν χρειαστεί (μη ικανοποιητικό αποτέλεσμα κοπής), τροχίστε ή αντικαταστήστε τα μαχαίρια κοπής.

#### Κατεύθυνση τοποθέτησης του ιμάντα και φορά περιστροφής των μαχαριών κοπής στα μοντέλα RT 5097, RT 5097 Z:



Λόγω της διπλής αλλαγής κατεύθυνσης στις θέσεις **A** ο ιμάντας αντιστρέφεται κατά 180°.

#### Κατεύθυνση τοποθέτησης του ιμάντα και φορά περιστροφής των μαχαριών κοπής στα μοντέλα RT 5112 Z, RT 6112 ZL, RT 6127 ZL:



Όλες οι εργασίες συντήρησης και ελέγχου στον οδοντωτό ιμάντα θα πρέπει να εκτελούνται από τον εμπορικό αντιπρόσωπο STIHL.

## Έλεγχος ορίων φθοράς του μαχαιριού κοπής:



### Κίνδυνος τραυματισμών!

Ένα φθαρμένο μαχαίρι κοπής μπορεί να σπάσει και να προκαλέσει σοβαρούς τραυματισμούς. Για το λόγο αυτό θα πρέπει να τηρούνται οι υποδείξεις για τη συντήρηση του μαχαιριού. Ο βαθμός φθοράς του μαχαιριού ποικίλλει ανάλογα με τον τόπο και τη διάρκεια χρήσης. Εάν χρησιμοποιείτε το εργαλείο σε αμμώδες έδαφος ή συχνά υπό συνθήκες ξηρασίας, τα μαχαίρια καταπονούνται περισσότερο και φθείρονται γρηγορότερα.

### Προσοχή!

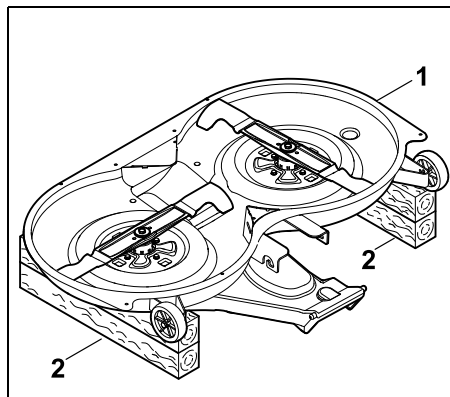
Κατά την αντικατάσταση του μαχαιριού κοπής πρέπει **πάντα** να αντικαθίσταται και η **βίδα μαχαιριού** καθώς και η **ροδέλα ασφάλισης**.



Η STIHL συνιστά να αφαιρέσετε το σύστημα κοπής κατά τον έλεγχο των ορίων φθοράς.

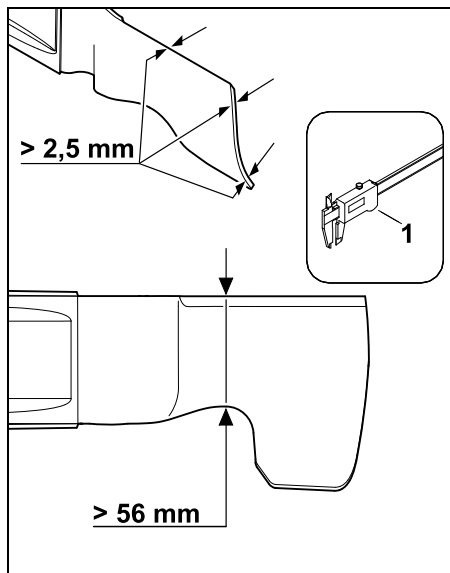
Σε περίπτωση που έχετε στη διάθεσή σας μια κατάλληλη ανυψούμενη εξέδρα, μπορείτε να ελέγξετε τα όρια φθοράς του μαχαιριού κοπής ακόμα και όταν το σύστημα κοπής είναι τοποθετημένο.

- Αφαιρέστε το σύστημα κοπής. (⇒ 14.1)



Γυρίστε το σύστημα κοπής (1) και αποθέστε το, με τα μαχαίρια γυρισμένα προς τα επάνω, στο έδαφος, επάνω σε κατάλληλα ξύλινα στηρίγματα (2) ύψους 20 cm.

- Καθαρίστε σχολαστικά το μαχαίρι και το σύστημα κοπής. (⇒ 15.2)



Τα μαχαίρια κοπής θα πρέπει να έχουν ελάχιστο πάχος **2,5 mm** και στο στενότερο σημείο τους να έχουν ελάχιστο πλάτος **56 mm**.

Μετρήστε το **πάχος** των δύο μαχαιριών με τη βοήθεια ενός παχύμετρου (1) σε περισσότερα σημεία. Μετρήστε το **πλάτος του μαχαιριού** στο εικονιζόμενο σημείο, επίσης με τη βοήθεια ενός παχύμετρου (1).

Αντικαταστήστε το μαχαίρι κοπής εάν σε κάποιο σημείο δεν επιτυγχάνονται πλέον οι προβλεπόμενες τιμές.

## Έλεγχος θέσης τοποθέτησης των μαχαιριών κοπής (RT 5112 Z, RT 6112 ZL, RT 6127 ZL):



### Κίνδυνος τραυματισμών!

Για να μην έρχονται τα μαχαίρια κοπής σε επαφή μεταξύ τους κατά τη διαδικασία κοπής, θα πρέπει να τοποθετηθούν με γωνία 90°.

Το σύστημα κοπής δεν πρέπει να έχει συμπλεχθεί εάν οι λάμες βρίσκονται μεταξύ τους σε διαφορετική γωνία.

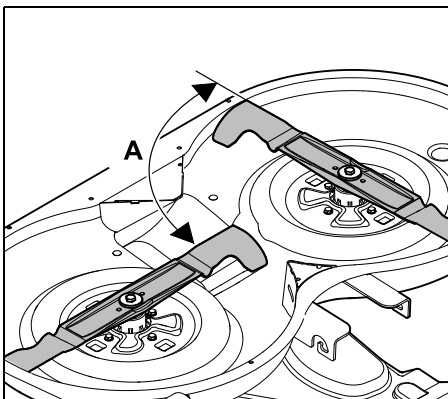
Εάν χρειαστεί, επικοινωνήστε με τον εμπορικό αντιπρόσωπο. Η STIHL συνιστά τον εμπορικό αντιπρόσωπο STIHL.



Η STIHL συνιστά να αφαιρέσετε το σύστημα κοπής κατά τον έλεγχο της θέσης τοποθέτησης.

Σε περίπτωση που έχετε στη διάθεσή σας μια κατάλληλη ανυψούμενη εξέδρα, μπορείτε να ελέγξετε τη θέση τοποθέτησης των μαχαιριών κοπής ακόμα και όταν το σύστημα κοπής είναι τοποθετημένο.

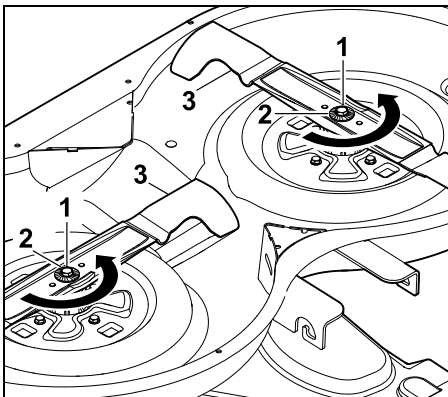
- Εάν χρειαστεί, αποθέστε το σύστημα κοπής στο έδαφος, επάνω σε δύο κατάλληλα ξύλινα στηρίγματα.



Γυρίστε τα μαχαίρια κοπής με τον τρόπο που απεικονίζεται και ελέγξτε τη γωνία **A** (περ. 90°) που σχηματίζεται μεταξύ των επιφανειών κοπής.

#### Αφαίρεση μαχαριών κοπής:

- Αφαιρέστε το σύστημα κοπής. (⇒ 14.1)
- Αποθέστε το σύστημα κοπής στο έδαφος, επάνω σε κατάλληλα ξύλινα στηρίγματα.



Λύστε και ξεβιδώστε τη βίδα μαχαριού (1) με τη βοήθεια ενός κλειδιού SW17 (δεν περιλαμβάνεται στο πλαίσιο παράδοσης). Κρατήστε κόντρα το μαχαίρι κοπής ενώ

λύνετε τη βίδα μαχαριού. Αφαιρέστε τη βίδα μαχαριού (1) με τη ροδέλα ασφάλισης (2) και αφαιρέστε το μαχαίρι κοπής (3).

#### Τρόχισμα μαχαριών κοπής:

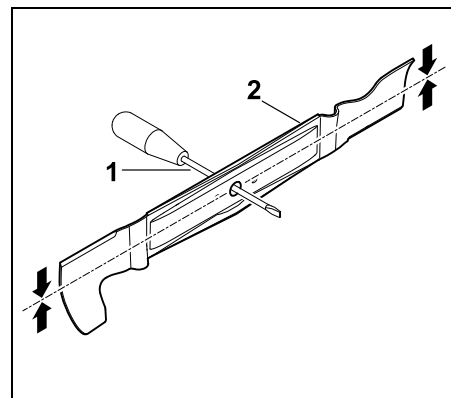


##### Κίνδυνος τραυματισμών!

Κατά τη διαδικασία τροχίσματος, θα πρέπει να φοράτε πάντοτε προστατευτικά γυαλιά και γάντια.

- Ψύχετε το μαχαίρι κατά το τροχίσμα, π. χ. με νερό. Δεν πρέπει να εμφανιστεί μια μπλε απόχρωση. Σε αυτή την περίπτωση μειώνεται σημαντικά η κοπτική ικανότητα του μαχαριού.
- Τροχίζετε ομοιόμορφα το μαχαίρι κοπής, προκειμένου να αποφύγετε τους κραδασμούς λόγω αποζυγοστάθμισης.
- Τηρείτε μία γωνία τροχίσματος **30°**.
- Κατά το τροχίσμα λαμβάνετε υπόψη τα όρια φθοράς.

#### Έλεγχος ζυγοστάθμισης μαχαριού κοπής:



Περάστε το καταβίδι (1) μέσα από την κεντρική οπή. Όταν το μαχαίρι κοπής (2) είναι ζυγοσταθμισμένο, θα πρέπει να ισορροπεί στη θέση που απεικονίζεται.



##### Κίνδυνος τραυματισμών!

Εάν το μαχαίρι κοπής δεν ισορροπεί, θα πρέπει να επαναλάβετε το τροχίσμα μέχρι να ζυγοσταθμιστεί το μαχαίρι. Το μαχαίρι κοπής πρέπει να ζυγοσταθμιστεί αποκλειστικά και μόνο με το τροχίσμα των επιφανειών κοπής.

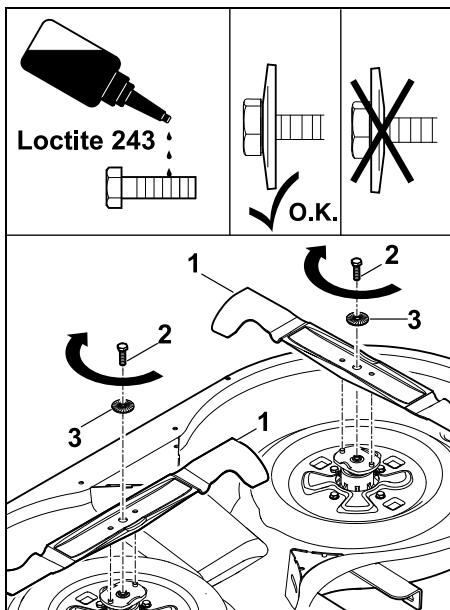
#### Τοποθέτηση μαχαριού:



##### Κίνδυνος τραυματισμών!

Ελέγξτε το μαχαίρι κοπής πριν από την τοποθέτηση για τυχόν ζημιές (ρωγμές ή αυλακώσεις) και φθορές. Τα μαχαίρια κοπής πρέπει να αντικατασταθούν εάν φθαρούν ή υποστούν ζημιές. Αντικαθιστάτε τη ροδέλα ασφάλισης σε κάθε τοποθέτηση μαχαριού. Ασφαλίστε τη βίδα του μαχαριού επιπλέον με **Loctite 243**. Η προβλεπόμενη ροπή σύσφιξης των βιδών του μαχαριού των **65 - 70 Nm** θα πρέπει να τηρηθεί ακριβώς καθώς από αυτήν εξαρτάται η ασφαλής στερέωση του κοπτικού εργαλείου.

- Τοποθετήστε το μαχαίρι κοπής με τα κυρτά πτερύγια προς τα επάνω (προς το σύστημα κοπής).



Τοποθετήστε το μαχαίρι κοπής (1) και βιδώστε τη βίδα μαχαιριού (2 – **περάστε Loctite 243**) μαζί με τη ροδέλα ασφάλισης (3 – προσέξτε την κυρτή επιφάνεια) και σφίξτε με ροπή **65 - 70 Nm**. Κρατήστε κόντρα το μαχαίρι κοπής ενώ σφίγγετε τη βίδα μαχαιριού.

- RT 5112 Z, RT 6112 ZL, RT 6127 ZL: Ελέγξτε τη θέση τοποθέτησης των μαχαιριών κοπής.

### 15.14 Έλεγχος θέσης τοποθέτησης του συστήματος κοπής

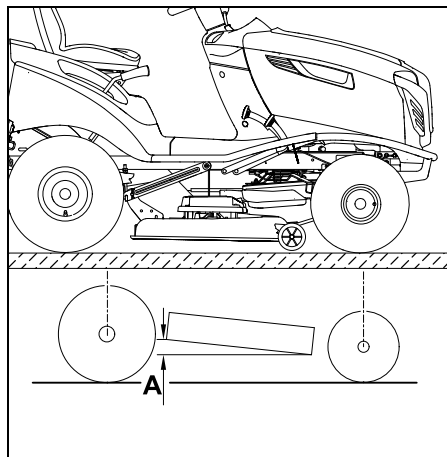
#### Χρονικό διάστημα συντήρησης:

Κάθε 50 ώρες λειτουργίας ή ανάλογα με τις ανάγκες (π.χ. έπειτα από δυνατά χτυπήματα στο σύστημα κοπής ή μη καθαρή κοπή).

**i** Η ομοιόμορφη πίεση σε όλα τα ελαστικά αποτελεί προϋπόθεση για τον έλεγχο της θέσης τοποθέτησης. Πριν από τον έλεγχο της θέσης τοποθέτησης θα πρέπει να ελεγχθούν οι πιέσεις όλων των ελαστικών και να διορθωθούν εάν χρειαστεί. (⇒ 15.16)

Το σύστημα κοπής βρίσκεται στη σωστή θέση όταν είναι ελαφρώς κεκλιμένο προς τα μπροστά - η μπροστινή πλευρά είναι σε ελαφρά χαμηλότερο επίπεδο από την πίσω πλευρά.

- Τοποθετήστε το εργαλείο σε ένα επίπεδο υπόστρωμα.
- Θέστε τον κινητήρα εσωτερικής καύσης εκτός λειτουργίας. (⇒ 13.3)
- Ενεργοποιήστε το φρένο στάθμευσης. (⇒ 8.14)
- Αφαιρέστε το κλειδί μίζας και φυλάξτε το σε ασφαλές μέρος.
- Επιλέξτε τη χαμηλότερη σκάλα κοπής. (⇒ 8.15)



Διαφορά ύψους **A = 10 mm**.

### 15.15 Αλλαγή τροχών

Σε περίπτωση φθοράς των τροχών (τρύπες, σκισίματα, τομές κ.λπ.), αφαιρέστε τον φθαρμένο τροχό και απευθυνθείτε σε εμπορικό αντιπρόσωπο.

#### Ανύψωση και στήριξη του εργαλείου:



#### Κίνδυνος τραυματισμών!

Κατά την ανύψωση του εργαλείου, λάβετε υπόψη το μεγάλο βάρος του εργαλείου (βλέπε κεφάλαιο "Τεχνικά στοιχεία"). (⇒ 22.)

Εάν χρειαστεί, ανασηκώστε το εργαλείο με τη βοήθεια ενός δεύτερου ατόμου ή χρησιμοποιώντας γρύλο (δεν περιλαμβάνεται στο πακέτο παράδοσης).

Πριν την ανύψωση ασφαλίστε το εργαλείο από ενδεχόμενη κύλιση. Το φρένο επιδρά μόνον στους πίσω τροχούς. Κατά την ανύψωση του πίσω άξονα ασφαλίστε το εργαλείο από ενδεχόμενη κύλιση.



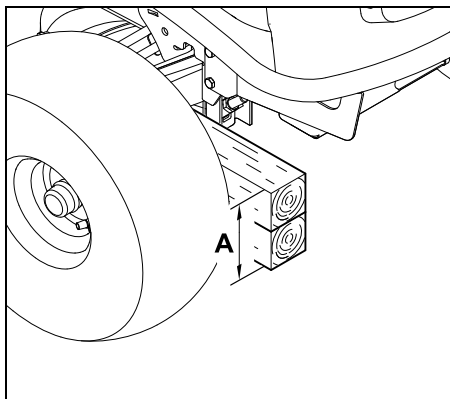
#### Αποφύγετε τις ζημιές στο εργαλείο

Κατά τη στήριξη, φροντίστε το εργαλείο να στηρίζεται κάτω μόνο στον άξονα ή στον κοτσαδόρο. Ανασηκώστε το εργαλείο πιάνοντάς το μόνο από τα κατάλληλα εξαρτήματα (π.χ. πλαίσιο, ζάντα, άξονας). Μην ανασηκώνετε/στηρίζετε ποτέ το εργαλείο χρησιμοποιώντας τα πλαστικά εξαρτήματα.

- Φέρτε το εργαλείο σε ένα επίπεδο και σταθερό υπόστρωμα και ασφαλίστε το από ενδεχόμενη κύλιση.
- Θέστε τον κινητήρα εσωτερικής καύσης εκτός λειτουργίας. (⇒ 13.3)

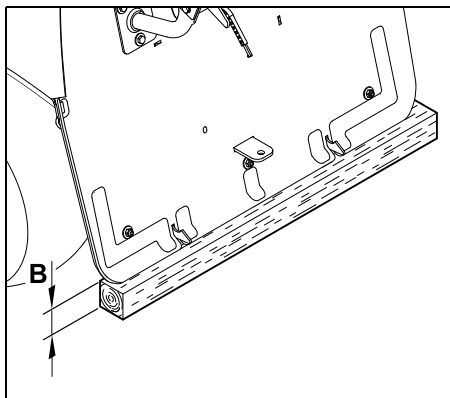


- Ενεργοποιήστε το φρένο στάθμευσης. (⇒ 8.14)
- Αφαιρέστε το κλειδί μίζας και φυλάξτε το σε ασφαλές μέρος.



Για την αποφόρτιση των **μπροστινών τροχών** στηρίξτε το χλοοκοπτικό τρακτέρ στον μπροστινό άξονα:

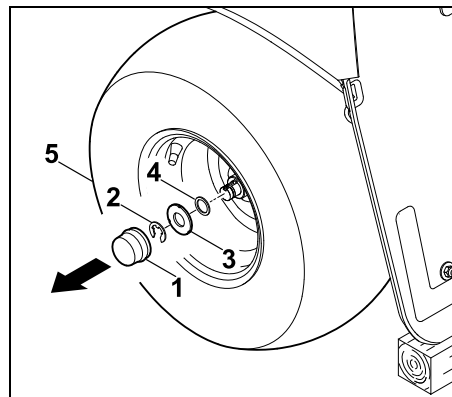
A = τουλάχιστον **260 mm**



Για την αποφόρτιση των **πίσω τροχών** στηρίξτε το χλοοκοπτικό τρακτέρ στο πίσω τοίχωμα:

B = τουλάχιστον **120 mm**

### Αφαίρεση τροχού:



Αφαιρέστε το κάλυμμα (1). Αφαιρέστε το δακτύλιο ασφάλισης (2) με ένα κατσαβίδι. Αφαιρέστε τη μεγάλη ροδέλα (3) και τη μικρή ροδέλα (4 - μόνο στον πίσω τροχό) μαζί με τον τροχό (5) από τον άξονα του τροχού.



**Αποφύγετε τις ζημιές στο εργαλείο!**

Κατά την αφαίρεση των πίσω τροχών προσέξτε να μην χάσετε τις σφήνες.

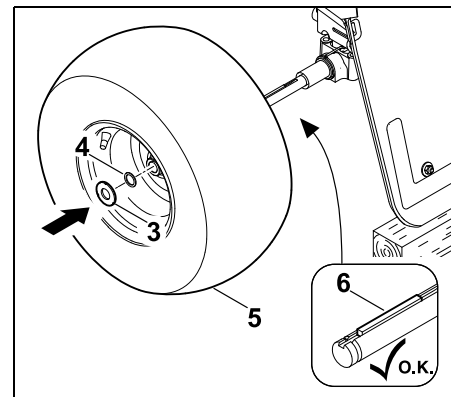
### Τοποθέτηση τροχού:



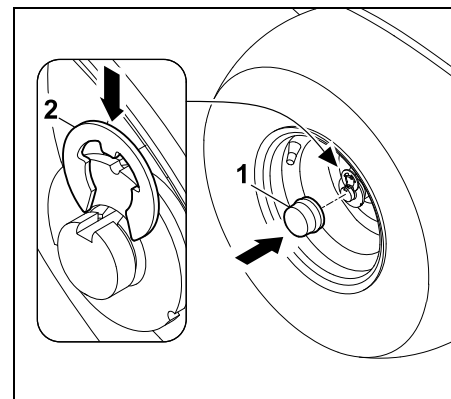
**Αποφύγετε τις ζημιές στο εργαλείο!**

Πριν από τη συναρμολόγηση των πίσω τροχών, φροντίστε για τη σωστή θέση των σφηνών στην εγκοπή του άξονα τροχών.

- Αφαιρέστε τις ακαθαρσίες από τον άξονα τροχών.
- Καλύψτε τον άξονα τροχών με λίγο γράσο πριν τον τοποθετήσετε.



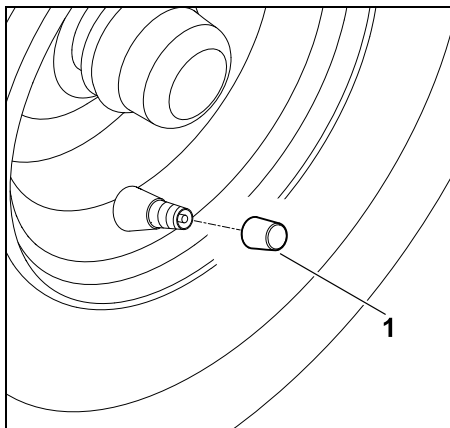
Τοποθετήστε τη σφήνα (6) στον πίσω άξονα τροχών. Περάστε τον τροχό (5 - βαλβίδα προς τα έξω) με τον μικρό δίσκο (4 - μόνον στον πίσω τροχό) και το μεγάλο δίσκο (3) στον άξονα τροχών.



Κουμπώστε το δακτύλιο ασφάλισης (2) στην εγκοπή του άξονα τροχών. Περάστε το κάλυμμα (1) στον άξονα τροχών.

## 15.16 Πίεση ελαστικών

**i** Η σωστή πίεση ελαστικών αποτελεί σημαντική προϋπόθεση για την ευθυγράμμιση του συστήματος κοπής και συνεπώς για την επίτευξη μιας ικανοποιητικής εικόνας κοπής. Επιπλέον, η πολύ μεγάλη πίεση ελαστικών προκαλεί ζημιά στο χλοοτάπητα από το προφίλ των ελαστικών.



Ξεβιδώστε την τάπα από τη βαλβίδα (1). Με μια κατάλληλη αντλία αέρα με μανόμετρο, ρυθμίστε τις παρακάτω πιέσεις στα ελαστικά:

**Μπροστινά ελαστικά:** 0,8 – 1,0 bar

**Πίσω ελαστικά:** 0,6 – 0,8 bar

## 15.17 Λίπανση

Λιπάνετε τα δύο μπροστινά ακραξόνια επάνω από τις δύο θηλές λίπανσης του μπροστινού άξονα.

### **i** Υπόδειξη

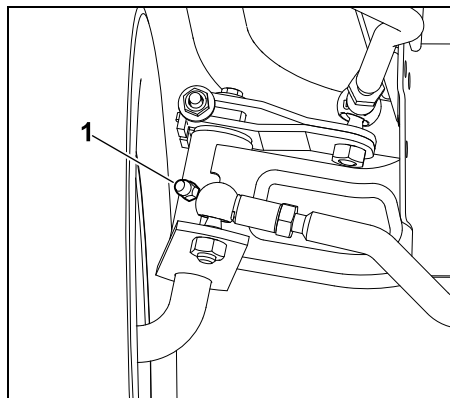
Πριν από τη λίπανση θα πρέπει να στηριχθεί σωστά ο μπροστινός άξονας.

Η θηλή λίπανσης πρέπει να καθαρίζεται πριν από κάθε διαδικασία λίπανσης για να μην είναι δυνατή η εισχώρηση ακαθαρσιών στα ακραξόνια. Το γράσο που εκρέει θα πρέπει πάντα να απομακρύνεται (καθαρίζεται) αμέσως μετά τη διαδικασία λίπανσης.

Χρησιμοποιείτε κοινό γράσο του εμπορίου.

### Διαδικασία λίπανσης:

- Θέστε τον κινητήρα εσωτερικής καύσης εκτός λειτουργίας. (⇒ 13.3)
- Αφαιρέστε το κλειδί μίζας και φυλάξτε το σε ασφαλές μέρος.
- Ενεργοποιήστε το φρένο στάθμευσης. (⇒ 8.14)
- Στηρίξτε (ανασηκώστε) τον μπροστινό άξονα. (⇒ 15.15)



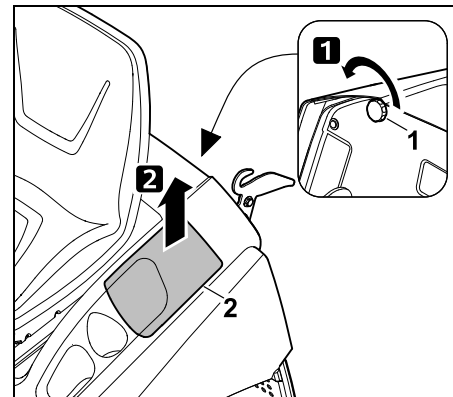
Με τη βοήθεια ενός γρασαδούρου (δεν περιλαμβάνεται στο πλαίσιο παράδοσης), προσθέστε και στις δύο πλευρές μέσω των θηλών λίπανσης (1) το γράσο, μέχρι αυτό να αρχίσει να βγαίνει από τα ακραξόνια.

- Απομακρύνετε το γράσο που έχει εκρεύσει.
- Αφαιρέστε το στήριγμα του μπροστινού άξονα.

## 15.18 Άνοιγμα και κλείσιμο θήκης μπαταρίας

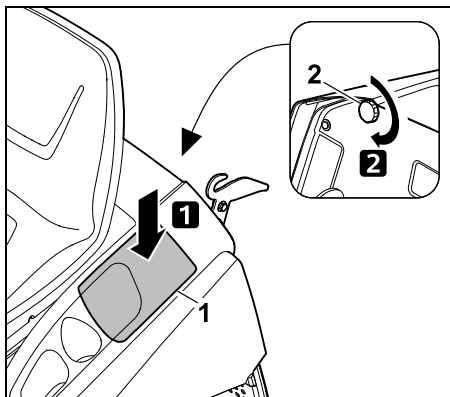
- Θέστε τον κινητήρα εσωτερικής καύσης εκτός λειτουργίας. (⇒ 13.3)
- Ενεργοποιήστε το φρένο στάθμευσης. (⇒ 8.14)
- Αφαιρέστε το κλειδί μίζας και φυλάξτε το σε ασφαλές μέρος.
- Αφαιρέστε το χορτοσυλλέκτη. (⇒ 13.10)

### Άνοιγμα θήκης μπαταρίας:



Ξεβιδώστε το παξιμάδι (1) και αφαιρέστε το καπάκι της θήκης μπαταρίας (2) προς τα μπροστά.

## Κλείσιμο θήκης μπαταρίας:



Τοποθετήστε το καπάκι της θήκης μπαταρίας (1) με τον τρόπο που απεικονίζεται και στερεώστε το με το παξιμάδι (2).

## 15.19 Αφαίρεση και τοποθέτηση μπαταρίας



### Κίνδυνος τραυματισμών!

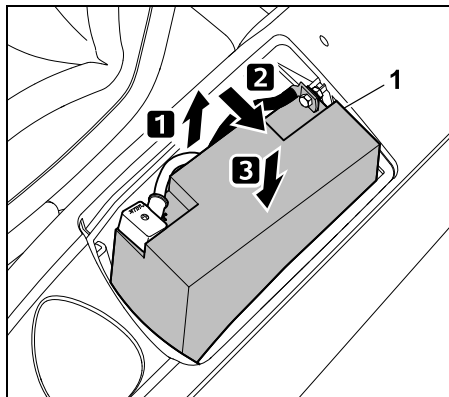
Αφαιρείτε πάντα πρώτα το μαύρο αρνητικό καλώδιο (-) και μετά το κόκκινο θετικό καλώδιο (+)! Κατά τη σύνδεση της μπαταρίας, συνδέετε πάντοτε πρώτα το κόκκινο θετικό καλώδιο (+).



Η μπαταρία δεν απαιτεί συντήρηση και πρέπει να αντικαθίσταται μόνο σε περίπτωση βλάβης ή να αφαιρείται σε μεγαλύτερα χρονικά διαστήματα ακινητοποίησης (π.χ. χειμερινή παύση εργασιών) ή για την απόρριψη του εργαλείου. Μην απορρίπτετε την μπαταρία στα οικιακά απορρίμματα αλλά παραδώστε τη στον εμπορικό αντιπρόσωπο ή στα σημεία συλλογής προβληματικών υλικών.

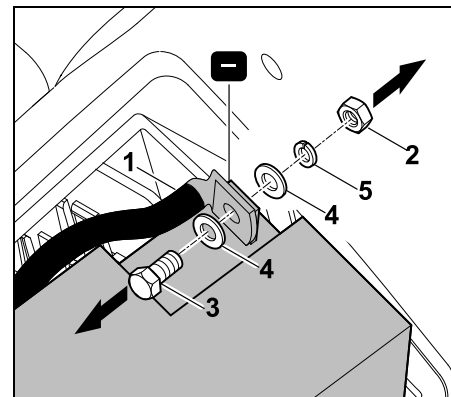
- Θέστε τον κινητήρα εσωτερικής καύσης εκτός λειτουργίας. (⇒ 13.3)
- Ενεργοποιήστε το φρένο στάθμευσης. (⇒ 8.14)
- Αφαιρέστε το κλειδί μίζας και φυλάξτε το σε ασφαλές μέρος.
- Ανοίξτε τη θήκη μπαταρίας. (⇒ 15.18)

### Θέση τοποθέτησης:

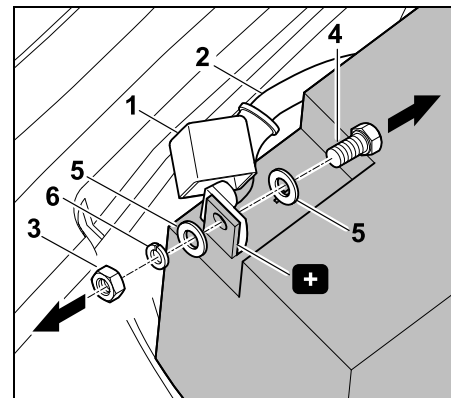


Για τη σύνδεση και την αποσύνδεση, τραβήξτε την μπαταρία (1) έξω από τη θήκη μπαταρίας μέχρι τη μέση και γυρίστε την στο πλάι. Μετά μετακινήστε την προς τα κάτω και αποθέστε την - ελέγξτε την ασφαλή θέση της.

## Αποσύνδεση μπαταρίας:



Αποσυνδέστε το μαύρο καλώδιο (1) από τον αρνητικό πόλο (-) της μπαταρίας, ξεβιδώνοντας το παξιμάδι (2) με τη βοήθεια δύο κλειδιών SW8 και αφαιρέστε το μαζί με τη βίδα (3), τις ροδέλες (4) και τον δακτύλιο (5).



Αφαιρέστε το κάλυμμα (1). Αποσυνδέστε το κόκκινο καλώδιο (2) από τον θετικό πόλο (+) της μπαταρίας, ξεβιδώνοντας το παξιμάδι (3) με τη βοήθεια δύο κλειδιών SW8 και αφαιρέστε το μαζί με τη βίδα (4), τις ροδέλες (5) και τον δακτύλιο (6).

- Εάν χρειάζεται, αφαιρέστε την μπαταρία.
- Βιδώστε πάλι τις βίδες, τις ροδέλες και τα παξιμάδια επάνω στους πόλους της μπαταρίας για να μη χαθούν.
- Εάν χρειαστεί, αποθηκεύστε το καλώδιο σύνδεσης στη θήκη της μπαταρίας και κλείστε την. (⇒ 15.18)

### Σύνδεση μπαταρίας:



Πριν από την τοποθέτηση ελέγξτε την κατάσταση φόρτισης της μπαταρίας.

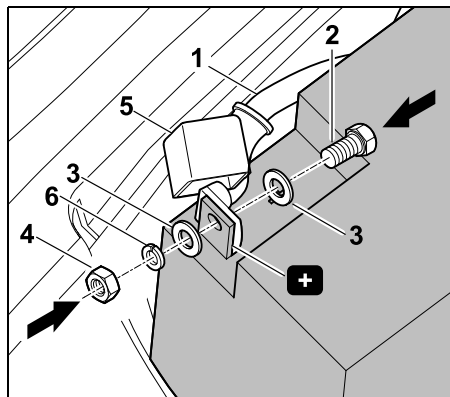
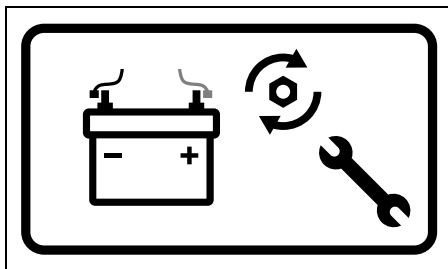
Εάν η τάση της μπαταρίας είναι μικρότερη από **11,5 V**, θα πρέπει να φορτίσετε την μπαταρία με έναν κατάλληλο φορτιστή πριν από την τοποθέτηση.

- Φέρτε την μπαταρία στη θέση τοποθέτησης.
- Εάν χρειαστεί, αφαιρέστε τις βίδες, τις ροδέλες και τα παξιμάδια από την μπαταρία.



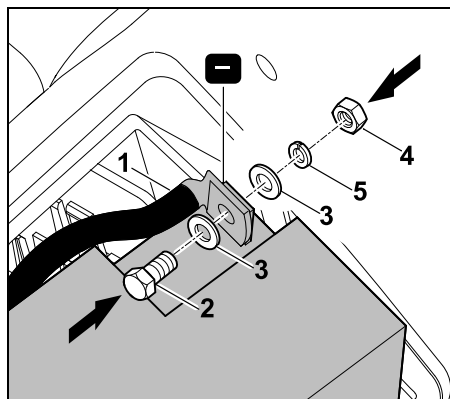
Κίνδυνος πυρκαγιάς!

Πρέπει να τηρηθεί οπωσδήποτε η προβλεπόμενη ροπή σύσφιξης. Βεβαιωθείτε ότι οι κοχλιοσυνδέσεις στους πόλους είναι πάντα καλά σφιγμένες προκειμένου να αποφευχθούν ζημιές από τη δημιουργία σπινθηρών.



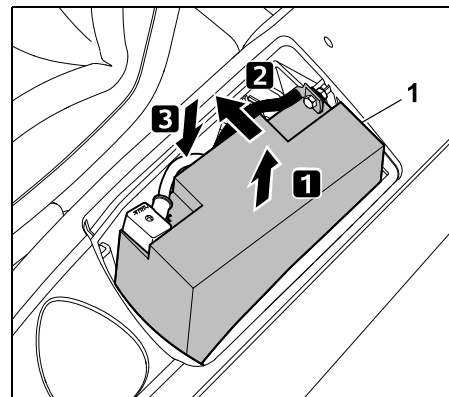
Στερεώστε το κόκκινο καλώδιο (1) στον θετικό πόλο (+) της μπαταρίας με τη βίδα (2), τις ροδέλες (3), τον δακτύλιο (6) και το παξιμάδι (4).

Σφίξτε την κοχλιοσύνδεση με τη βοήθεια δύο κλειδιών SW8 με **6 - 8 Nm**. Περάστε το κάλυμμα (5) επάνω από την κοχλιοσύνδεση.



Στερεώστε το μαύρο καλώδιο (1) στον αρνητικό πόλο (-) της μπαταρίας με τη βίδα (2), τις ροδέλες (3), τον δακτύλιο (5) και το παξιμάδι (4).

Σφίξτε την κοχλιοσύνδεση με τη βοήθεια δύο κλειδιών SW8 με **6 - 8 Nm**.



Ανασηκώστε την μπαταρία (1) και γυρίστε την ελαφρά προς τα πίσω. Τοποθετήστε προσεκτικά την μπαταρία και ταυτόχρονα προσέξτε ώστε τα δύο καλώδια σύνδεσης να βρίσκονται μέσα στη θήκη μπαταρίας.

- Κλείστε τη θήκη μπαταρίας. (⇒ 15.18)

### 15.20 Ασφάλειες



**Κίνδυνος πυρκαγιάς!**

Σε καμία περίπτωση δεν πρέπει να γεφυρώνονται οι ασφάλειες με σύρμα ή αλουμινοχαρτό. Μην τοποθετείτε ποτέ μια ασφάλεια με ρεύμα (Ampere) που διαφέρει από το προβλεπόμενο.

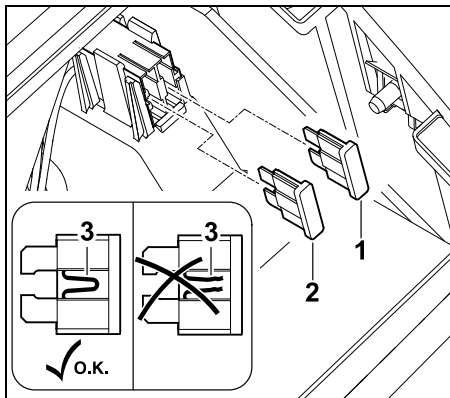


Εάν μια νέα ασφάλεια καεί μέσα σε σύντομο χρονικό διάστημα, αυτό ενδέχεται να οφείλεται σε βλάβη (π.χ. βραχυκύκλωμα). Συνιστάται να απευθυνθείτε σε εμπορικό αντιπρόσωπο. Η STIHL προτείνει τον εμπορικό αντιπρόσωπο STIHL.

### Έλεγχος ηλεκτρικών ασφαλειών:

Οι ηλεκτρικές ασφάλειες βρίσκονται στη θήκη μπαταρίας.

- Θέστε τον κινητήρα εσωτερικής καύσης εκτός λειτουργίας. (⇒ 13.3)
- Ενεργοποιήστε το φρένο στάθμευσης. (⇒ 8.14)
- Αφαιρέστε το κλειδί μίζας και φυλάξτε το σε ασφαλές μέρος.
- Ανοίξτε τη θήκη μπαταρίας. (⇒ 15.18)



Αφαιρέστε τις ηλεκτρικές ασφάλειες (1,2). Ελέγξτε οπτικά εάν το σύρμα (3) που περνά μέσα από το πλαστικό έχει υποστεί ζημιά (είναι καμένο).

Αντικαταστήστε τις καμένες ασφάλειες.

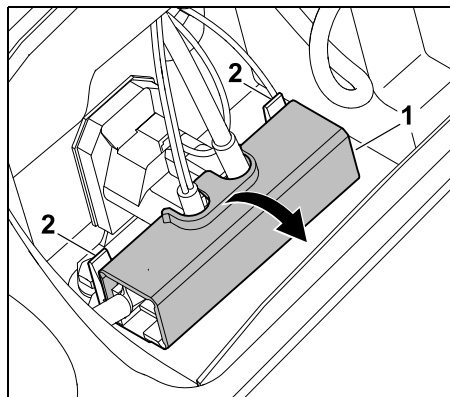
**Διάταξη φόρτισης (1):** 15 A  
**Ηλεκτρικό σύστημα (2):** 10 A

- Κλείστε τη θήκη μπαταρίας. (⇒ 15.18)

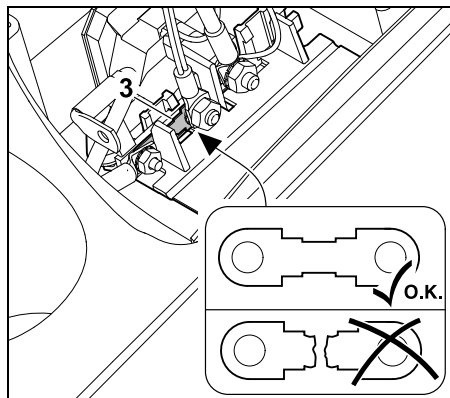
#### Έλεγχος κεντρικής ασφάλειας:

Η κεντρική ασφάλεια (150 Ampere) βρίσκεται πίσω από την μπαταρία.

- Αφαιρέστε την μπαταρία. (⇒ 15.19)



Ανοίξτε το κάλυμμα (1) πιέζοντας τις γλώσσες (2) ελαφρά προς τα πίσω.



Ελέγξτε οπτικά εάν η ασφάλεια (3) έχει υποστεί ζημιά (είναι καμένη). Εάν χρειάζεται, ζητήστε από τον εμπορικό αντιπρόσωπο να αντικαταστήσει την ασφάλεια (3). Η STIHL προτείνει τον εμπορικό αντιπρόσωπο STIHL.

- Κλείστε πάλι το κάλυμμα.
- Τοποθετήστε την μπαταρία. (⇒ 15.19)

## 15.21 Φόρτιση της μπαταρίας από την υποδοχή φορτιστή

Στην υποδοχή φόρτισης μπορείτε να συνδέσετε τον φορτιστή STIHL ACB 010 ή το φορτιστή διάγνωσης STIHL ADL 012 (και τα δύο δεν περιλαμβάνονται στο πλαίσιο παράδοσης).

Με το φορτιστή διατήρησης της STIHL ACB 010 μπορεί να πραγματοποιηθεί μόνο μία συντηρητική φόρτιση της μπαταρίας.

Με τον φορτιστή διάγνωσης ADL 012 μπορεί να πραγματοποιηθεί μία συντηρητική φόρτιση της μπαταρίας και μία πλήρης φόρτιση (φόρτιση μίας πλήρως αποφορτισμένης μπαταρίας).



#### Αποφύγετε τις ζημιές στο εργαλείο!

Μην φορτίζετε ποτέ την μπαταρία όταν ο κινητήρας εσωτερικής καύσης βρίσκεται σε λειτουργία.

Στην υποδοχή φόρτισης μπορεί να συνδεθεί αποκλειστικά και μόνον ο φορτιστής διατήρησης STIHL ACB 010 ή ο φορτιστής διάγνωσης STIHL ADL 012. Άλλοι φορτιστές, ειδικά αυτοί με υψηλότερα ρεύματα φόρτισης μπορεί να προκαλέσουν ζημιές στο εργαλείο.

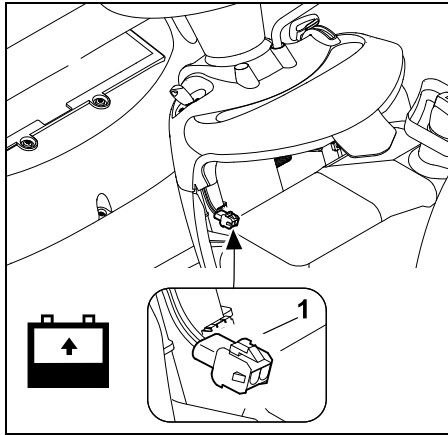
Εάν η μπαταρία φορτιστεί με τη βοήθεια άλλων φορτιστών θα πρέπει προηγουμένως να αφαιρεθεί.

#### Πριν τη σύνδεση:

- Διαβάστε προσεκτικά και ακολουθήστε τις οδηγίες χρήσης των φορτιστών STIHL.
- Διαβάστε και ακολουθήστε τις υποδείξεις στο συνοδευτικό φυλλάδιο της μπαταρίας.

## Σύνδεση:

- Θέστε τον κινητήρα εσωτερικής καύσης εκτός λειτουργίας. (⇒ 13.3)
- Ενεργοποιήστε το φρένο στάθμευσης. (⇒ 8.14)
- Ανοίξτε το κάλυμμα κινητήρα. (⇒ 15.3)



Συνδέστε στην υποδοχή φόρτισης (1) τον φορτιστή διατήρησης STIHL ACB 010 ή τον φορτιστή διάγνωσης STIHL ADL 012.

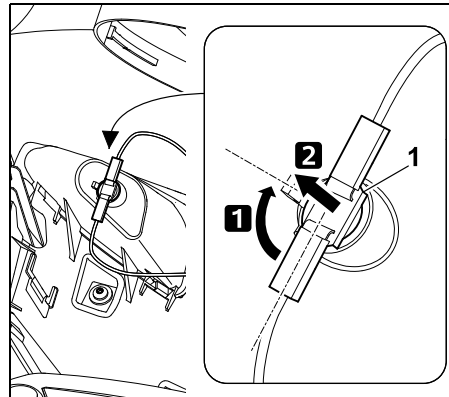
## 15.22 Αλλαγή λαμπτήρα προβολέα

**i** Στην αντικατάσταση των καμένων λαμπτήρων θα πρέπει να χρησιμοποιείτε πάντοτε λαμπτήρες 12V με ισχύ 6W.

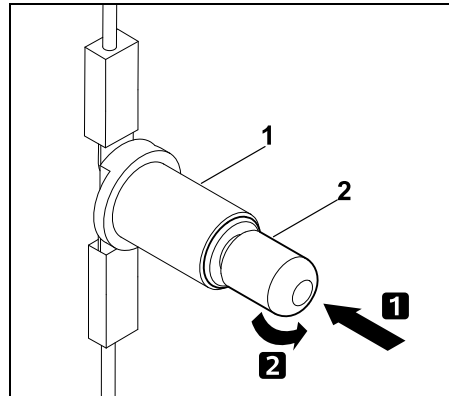
### Περιγραφή λαμπτήρων:

12V 6W BA9s

- Ανοίξτε το κάλυμμα κινητήρα. (⇒ 15.3).

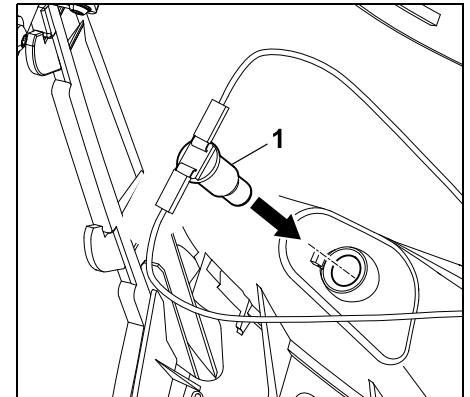


Γυρίστε την υποδοχή (1) για περίπου 90° και τραβήξτε την προς τα έξω.



Πιέστε τον λαμπτήρα (2) προς την υποδοχή (1) και κρατήστε τον σ' αυτή τη θέση. Γυρίστε προσεκτικά τον λαμπτήρα (2) και αφαιρέστε τον.

- Τοποθετήστε τον λαμπτήρα με την αντίθετη σειρά.



Πιέστε την υποδοχή (1) στο περίβλημα του προβολέα.

- Κλείστε το κάλυμμα κινητήρα. (⇒ 15.4)

## 15.23 Κινητήρας εσωτερικής καύσης

Δώστε προσοχή στις υποδείξεις λειτουργίας και συντήρησης που αναφέρονται στις συνημμένες οδηγίες χρήσης του κινητήρα εσωτερικής καύσης. Ιδιαίτερη σημασία για μεγάλη διάρκεια ζωής έχει η σωστή στάθμη λιπαντικού, καθώς και η τακτική αντικατάσταση λιπαντικού κινητήρα και φίλτρου αέρα.

## 15.24 Κιβώτιο μετάδοσης

Το κιβώτιο μετάδοσης δεν απαιτεί συντήρηση από το χειριστή. Κατά την επιθεώρηση του εργαλείου από τον εμπορικό αντιπρόσωπο, εκτελούνται όλες οι απαραίτητες εργασίες συντήρησης στο κιβώτιο μετάδοσης.

## 15.25 Φύλαξη

- Αποθηκεύστε το εργαλείο σε ξηρό και καθαρό από σκόνης χώρο, μακριά από παιδιά και άλλα άτομα που δεν έχουν εργασία.
- Οι ενδεχόμενες βλάβες του εργαλείου θα πρέπει να αποκαθίστανται πριν από την αποθήκευσή του. Έτσι θα διατηρείτε πάντα το εργαλείο σε ασφαλή κατάσταση λειτουργίας.
- Κλείστε τη βάνα του καυσίμου. (⇒ 15.7)
- Αφαιρέστε το κλειδί μίζας και φυλάξτε το σε σημείο όπου δεν θα έχουν πρόσβαση μη εξουσιοδοτημένα άτομα και κυρίως τα παιδιά.

## 15.26 Ακίνητοποίηση για παρατεταμένα χρονικά διαστήματα (π.χ. χειμερινή παύση εργασιών)

- Καθαρίστε όλο το εργαλείο. Καθαρίστε σχολαστικά κυρίως τα εξωτερικά μέρη του κινητήρα εσωτερικής καύσης και του κιβωτίου μετάδοσης (ειδικά τα πτερύγια ψύξης).
- Εφαρμόστε επαρκές λιπαντικό ή γράσο σε όλα τα κινητά μέρη.
- Εκκενώστε το καύσιμο από το ρεζερβουάρ καυσίμου και αδειάστε το καρμπυρατέρ (π.χ. θέτοντας το εργαλείο σε λειτουργία μέχρι να εξαντληθεί το καύσιμο).
- Ενεργοποιήστε το φρένο στάθμευσης. (⇒ 8.14)
- Ακολουθήστε τις υποδείξεις για την ακίνητοποίηση που αναφέρονται στις οδηγίες χρήσης του κινητήρα εσωτερικής καύσης.

- Πραγματοποιήστε την αλλαγή λιπαντικού κινητήρα (οδηγίες χρήσης κινητήρα εσωτερικής καύσης). (⇒ 15.9)
- Αφαιρέστε την μπαταρία. (⇒ 15.19)
- Αποθηκεύστε την πλήρως φορτισμένη μπαταρία σε ξηρό και δροσερό χώρο, μακριά από παιδιά.

## 15.27 Έπειτα από μεγάλα χρονικά διαστήματα ακίνητοποίησης (π. χ. χειμερινή παύση εργασιών)

- Ελέγξτε την τάση της μπαταρίας πριν από την τοποθέτηση. Εάν η τάση της μπαταρίας είναι μικρότερη από **11,5 V**, θα πρέπει να φορτίσετε πλήρως την μπαταρία με ένα φορτιστή πριν από την τοποθέτηση. (⇒ 15.21)
- Τοποθετήστε την μπαταρία. (⇒ 15.19)
- Ελέγξτε την πίεση των ελαστικών στους τροχούς. (⇒ 15.16)
- Ανοίξτε τη βάνα καυσίμου. (⇒ 15.7)
- Γεμίστε με καύσιμο. (⇒ 13.1)
- Ελέγξτε τη στάθμη πλήρωσης του λιπαντικού κινητήρα. (⇒ 15.8)

## 16. Μεταφορά



### Κίνδυνος τραυματισμών!

Πριν από τη μεταφορά, διαβάστε προσεκτικά το κεφάλαιο "Για τη δική σας ασφάλεια" και ειδικότερα το κεφάλαιο "Μεταφορά του χλοοκοπτικού τρακτέρ". (⇒ 4.1), (⇒ 4.3)

Οδηγείτε αργά και με ιδιαίτερη προσοχή στις ράμπες φόρτωσης, και προσέξτε ώστε οι τροχοί να μην βγαίνουν πέρα από τη ράμπα φόρτωσης - **Κίνδυνος ανατροπής!**  
Μην αλλάζετε απότομα ταχύτητα ή κατεύθυνση.



Σε δημόσιους δρόμους, το εργαλείο θα πρέπει να μεταφέρεται μόνο με κατάλληλο όχημα ή ρυμουλκούμενο! **Δεν επιτρέπεται η ρυμούλκηση!**

- Πριν από τη φόρτωση επιλέξτε τη μέγιστη σκάλα κοπής. (⇒ 13.6)
- Στηρίξτε το ρυμουλκούμενο στην μπροστινή πλευρά ώστε να μην μπορεί να ανατραπεί εξαιτίας του βάρους του εργαλείου.
- Για τη φόρτωση χρησιμοποιήστε μια κατάλληλη διάταξη ανύψωσης ή κατάλληλες και σταθερές ράμπες φόρτωσης με ανάλογο πλάτος.
- Τοποθετήστε τις ράμπες σταθερά και ασφαλίστε τις - προσέξτε το μεταξόνιο και το μετατρόχιο του χλοοκοπτικού τρακτέρ. (⇒ 22.1)
- Φροντίστε για ομοιόμορφη κατανομή του φορτίου στο ρυμουλκούμενο.
- Μετά τη φόρτωση, επιλέξτε τη χαμηλότερη σκάλα κοπής. (⇒ 13.6)

- Θέστε τον κινητήρα εσωτερικής καύσης εκτός λειτουργίας. (⇒ 13.3)
- Ωθήστε το εργαλείο τελείως μπροστά μέχρι το σημείο όπου ο προφυλακτήρας αγγίζει το μπροστινό τοίχωμα του ρυμουλκούμενου ή του οχήματος.
- Ενεργοποιήστε το φρένο στάθμευσης. (⇒ 8.14)
- Κλείστε τη βάνα του καυσίμου. (⇒ 15.7)
- Στερεώστε και ασφαλίστε το εργαλείο χρησιμοποιώντας κατάλληλα μέσα (ιμάντες, σχοινιά κ.λπ.) στον μπροστινό προφυλακτήρα και το τοίχωμα του ρυμουλκούμενου ή του οχήματος.
- Τοποθετήστε επιπλέον σφήνες (δεν περιλαμβάνονται στο πλαίσιο παράδοσης) στους τροχούς, ώστε να αποτραπεί η ακούσια κύλιση.

## 17. Συνηθισμένα ανταλλακτικά

Βίδα μαχαιριού:  
9010 345 2430

Ροδέλα στερέωσης:  
0000 702 6600

**RT 5097:**

Μαχαίρι δεξιά:  
6160 702 0115

Μαχαίρι αριστερά:  
6160 702 0110

**RT 5097 Z:**

Μαχαίρι δεξιά:  
6160 702 0105

Μαχαίρι αριστερά:  
6160 702 0100

**RT 5112 Z, RT 6112 ZL:**

Μαχαίρι δεξιά:

6170 702 0135

Μαχαίρι αριστερά:

6170 702 0130

**RT 6127 ZL:**

Μαχαίρι δεξιά:

6170 702 0145

Μαχαίρι αριστερά:

6170 702 0140



Αντικαθιστάτε τη ροδέλα ασφάλισης σε κάθε συναρμολόγηση του μαχαιριού, αντικαθιστάτε τη βίδα μαχαιριού σε κάθε αλλαγή μαχαιριού. Τα ανταλλακτικά διατίθενται από τους εμπορικούς αντιπροσώπους της STIHL.

## 18. Πρόσθετος εξοπλισμός

Για το εργαλείο διατίθεται πρόσθετος εξοπλισμός.

Περισσότερες πληροφορίες θα λάβετε από τον εμπορικό αντιπρόσωπο STIHL, στο Internet ([www.stihl.com](http://www.stihl.com)) ή στον κατάλογο της STIHL.



Για λόγους ασφαλείας, επιτρέπεται μόνο η χρήση εγκεκριμένου από τη STIHL πρόσθετου εξοπλισμού σε συνδυασμό με το εργαλείο.

## 19. Προστασία περιβάλλοντος

Το κομμένο χόρτο δεν πρέπει να απορρίπτεται αλλά να διατίθεται για χώνευση.

Οι συσκευασίες, το εργαλείο και τα πρόσθετα εξαρτήματα κατασκευάζονται από ανακυκλώσιμα υλικά και θα πρέπει να απορρίπτονται ανάλογα.



Η φιλική προς το περιβάλλον απόρριψη και ο διαχωρισμός των απορριμμάτων βοηθάει στην επαναχρησιμοποίηση ανακυκλώσιμων υλικών. Για το λόγο αυτό, μετά την πάροδο της συνηθισμένης διάρκειας χρήσης, το εργαλείο θα πρέπει να παραδίδεται σε κάποιο κέντρο συλλογής ανακυκλώσιμων υλικών. Η ακατάλληλη απόρριψη μπορεί να είναι επιβλαβής για την υγεία και να μολύνει το περιβάλλον.

Τα προϊόντα απόρριψης, όπως τα χρησιμοποιημένα λιπαντικά (λιπαντικό κινητήρα, λιπαντικό κιβωτίου μετάδοσης), τα καύσιμα και οι μπαταρίες, πρέπει να απορρίπτονται με τον ενδεδειγμένο τρόπο. Τηρείτε τους τοπικούς κανονισμούς!

Αφαιρέστε την μπαταρία πριν από την απόρριψη του εργαλείου.

Μην απορρίπτετε την μπαταρία στα οικιακά απορρίμματα αλλά παραδώστε τη στον εμπορικό αντιπρόσωπο ή στα σημεία συλλογής προβληματικών υλικών.

Απευθυνθείτε σε ένα κέντρο ανακύκλωσης ή στον εμπορικό αντιπρόσωπο για να μάθετε πώς γίνεται η σωστή απόρριψη αυτών των προϊόντων.

Η STIHL προτείνει τον εμπορικό αντιπρόσωπο STIHL.



## 20. Ελαχιστοποίηση φθορών και αποφυγή βλαβών

**Σημαντικές υποδείξεις σχετικά με τη συντήρηση και τη φροντίδα της ομάδας προϊόντων**

**Χλοοκοπτικό μηχάνημα με κάθισμα οδηγού και κινητήρα εσωτερικής καύσης (STIHL RT)**

Η εταιρία STIHL δεν φέρει καμία ευθύνη για υλικές ζημιές και σωματικές βλάβες που θα προκληθούν από τη μη τήρηση των υποδείξεων που αναφέρονται στις οδηγίες χρήσης, και ειδικότερα αυτές που αφορούν την ασφάλεια, τον χειρισμό και τη συντήρηση, ή από τη χρήση μη εγκεκριμένων προσαρτημάτων ή ανταλλακτικών.

Παρακαλούμε τηρήστε οπωσδήποτε τις υποδείξεις που ακολουθούν, προκειμένου να αποτρέψετε τις βλάβες και την υπερβολική φθορά του εργαλείου STIHL:

### 1. Αναλώσιμα υλικά

Πολλά μέρη του εργαλείου STIHL, ακόμη και μετά από προβλεπόμενη χρήση, παρουσιάζουν φυσιολογική φθορά και θα πρέπει να αντικατασταθούν εγκαίρως, ανάλογα με τον τρόπο και τη διάρκεια χρήσης.

Εδώ συμπεριλαμβάνονται μεταξύ άλλων τα εξής:

- Μαχαίρι κοπής
- Χορτοσυλλέκτης
- Ιμάντας
- Οδοντωτός ιμάντας
- Ηλεκτρικές ασφάλειες
- Μπαταρία
- Ελαστικά, ρόδες

– Μπουζί

### 2. Τήρηση των υποδείξεων των οδηγιών χρήσης

Η χρήση, η συντήρηση και η αποθήκευση του εργαλείου STIHL θα πρέπει να πραγματοποιούνται προσεκτικά και με τον τρόπο που αναφέρεται σε αυτές τις οδηγίες χρήσης. Όλες οι βλάβες και οι ζημιές που προκλήθηκαν από τη μη τήρηση των υποδείξεων ασφαλείας, χειρισμού και συντήρησης, βαρύνουν αποκλειστικά και μόνο το χρήστη.

Αυτό ισχύει ειδικά για:

- μη προβλεπόμενη χρήση του προϊόντος.
- χρήση μη εγκεκριμένων από τη STIHL μέσων λειτουργίας (λιπαντικά, βενζίνη και λιπαντικό κινητήρα, βλέπε στοιχεία του κατασκευαστή του κινητήρα εσωτερικής καύσης).
- μη εγκεκριμένες από τη STIHL μετατροπές του προϊόντος.
- χρήση εργαλείων ή εξαρτημάτων που είναι χαμηλής ποιότητας, ακατάλληλα ή μη εγκεκριμένα για το εργαλείο.
- χρήση του προϊόντος σε αθλητικές δραστηριότητες ή διαγωνισμούς.
- έμμεσες ζημιές που προκαλούνται από συνεχιζόμενη χρήση του προϊόντος με ελαττωματικά εξαρτήματα.

### 3. Εργασίες συντήρησης

Όλες οι εργασίες που αναφέρονται στην παράγραφο «Συντήρηση» θα πρέπει να διεξάγονται σε τακτά χρονικά διαστήματα.

Σε περίπτωση που αυτές οι εργασίες δεν μπορούν να πραγματοποιηθούν από το χρήστη, θα πρέπει να δοθεί σχετική εντολή εργασιών σε έναν εμπορικό αντιπρόσωπο.

Η STIHL προτείνει, οι εργασίες συντήρησης και οι επισκευές να πραγματοποιούνται μόνο από έναν εμπορικό αντιπρόσωπο STIHL.

Οι εμπορικοί αντιπρόσωποι STIHL παρακολουθούν τακτικά εκπαιδευτικά σεμινάρια και έχουν στη διάθεσή τους τις απαραίτητες τεχνικές πληροφορίες.

Εάν δεν πραγματοποιηθούν αυτές οι εργασίες, μπορεί να προκληθούν ζημιές, για τις οποίες ευθύνεται αποκλειστικά και μόνο ο χρήστης.

Εδώ συμπεριλαμβάνονται μεταξύ άλλων τα εξής:

- Διαβρώσεις και άλλες επακόλουθες ζημιές από την ακατάλληλη αποθήκευση και φύλαξη.
- Βλάβες στο εργαλείο από τη χρήση ανταλλακτικών χαμηλής ποιότητας.
- Ζημιές λόγω μη έγκαιρης ή ανεπαρκούς συντήρησης ή ζημιές από εργασίες συντήρησης και επισκευής που δεν πραγματοποιήθηκαν στα συνεργεία των εμπορικών αντιπροσώπων.

## 21. Πιστοποιητικό συμβατότητας

**21.1 Πιστοποιητικό συμβατότητας EE για τα χλοοκοπτικά τρακτέρ STIHL RT 5097.1, RT 5097.1 Z, RT 5112.1 Z, RT 6112.1 ZL, RT 6127.1 ZL**

H STIHL Tirol GmbH  
Hans Peter Stihl-Straße 5  
6336 Langkampfen  
Αυστρία

πιστοποιεί με αποκλειστική ευθύνη ότι

- Κατασκευαστικός τύπος: Χλοοκοπτικό τρακτέρ

- Εταιρεία κατασκευής: STIHL
- Τύπος: RT 5097.1, RT 5097.1 Z, RT 5112.1 Z, RT 6112.1 ZL, RT 6127.1 ZL
- Πλάτος κοπής RT 5097.1, RT 5097.1 Z: 95 cm
- Πλάτος κοπής RT 5112.1 Z, RT 6112.1 ZL: 110 cm
- Πλάτος κοπής RT 6127.1 ZL: 125 cm
- Αναγνώριση σειράς:  
**RT 5097.1, RT 5097.1 Z, RT 5112.1 Z:** 6160  
**RT 6112.1 ZL, RT 6127.1 ZL:** 6170

συμμορφώνεται με τις σχετικές διατάξεις των οδηγιών 2000/14/EC, 2006/42/EC, 2014/30/EU και 2011/65/EU έχει εξελιχθεί και κατασκευαστεί σύμφωνα με τα παρακάτω πρότυπα που βρίσκονταν σε ισχύ κατά την ημερομηνία παραγωγής: EN ISO 14982, EN ISO 5395-1 και EN ISO 5395-3.

Κοινοποιημένη αρχή:  
TÜV Rheinland LGA Products GmbH  
Tillystraße 2  
90431 Nürnberg, DE

Για τον υπολογισμό της μετρημένης και εγγυημένης στάθμης θορύβου εφαρμόστηκε η οδηγία 2000/14/EC, Παράρτημα VIII.

#### **RT 5097.1, RT 5097.1 Z**

- Μετρημένη στάθμη θορύβου: 99,7 dB(A)
- Εγγυημένη στάθμη θορύβου: 100 dB(A)

#### **RT 5112.1 Z, RT 6112.1 ZL**

- Μετρημένη στάθμη θορύβου: 99,8 dB(A)
- Εγγυημένη στάθμη θορύβου: 100 dB(A)

#### **RT 6127.1 ZL**

- Μετρημένη στάθμη θορύβου: 104,5 dB(A)
- Εγγυημένη στάθμη θορύβου: 105 dB(A)

Τα Τεχνικά Έγγραφα φυλάσσονται από τη STIHL Tirol GmbH.

Το έτος κατασκευής και ο αριθμός εργαλείου αναγράφονται στο χλοοκοπτικό τρακτέρ.

Langkampfen, 02.06.2021

H STIHL Tirol GmbH

κατ' εντολή



Matthias Fleischer, διευθυντής τμήματος Έρευνας και Ανάπτυξης

κατ' εντολή



Sven Zimmermann, διευθυντής τμήματος Ποιότητας

## **22. Τεχνικά στοιχεία**

### **RT 5097.1, RT 5097.1 Z, RT 5112.1 Z, RT 6112.1 ZL, RT 6127.1 ZL:**

Κινητήρας, τύπος κατασκευής	Τετράχρονος κινητήρας εσωτερικής καύσης
Ρεζερβουάρ καυσίμου	9 l
Σύστημα εκκίνησης	Ηλεκτρική εκκίνηση με κλειδί μίζας
Τύπος μπαταρίας	Τζελ μολύβδου
- Ονομαστική τάση	12 V
Σύστημα κοπής	2 μπάρες μαχαιριών
Ροπή σύσφιξης βιδών μαχαιριού	65 - 70 Nm
Μετάδοση στους πίσω τροχούς	αδιαβάθμητη κίνηση εμπρός/όπισθεν
<b>RT 5097.1:</b>	
Αναγνώριση σειράς	6160
Τύπος κινητήρα	EVC 4000
Κυβισμός	452 ccm
Ονομαστική ισχύς στον ονομαστικό αριθμό στροφών	8,2 - 2700 kW - στρο φές/λεπτό
Στροφές εξόδου	2700 στροφές/λεπτό
Πλάτος κοπής	95 cm
Κίνηση μπάρας μαχαιριού	ασύγχρονη
Ύψος κοπής	8πλό 30 - 100 mm
Τροχοί μπροστά, πίεση ελαστικών	15x6.00-6, 0,8 - 1,0 bar

**RT 5097.1:**

Τροχοί πίσω, πίεση ελαστικών	18x8.50-8, 0,6 - 0,8 bar
Χωρητικότητα χορτοσυλλέκτη	250 l
Βάρος με σύστημα κοπής και άδειο χορτοσυλλέκτη	228 kg
Μέτρηση κατά 2000/14/EC / S.I. 2001/1701:	
Εγγυημένη στάθμη θορύβου $L_{WA}$	100 dB(A)
Αστάθεια $K_{WA}$	0,7 dB(A)
Μέτρηση κατά EN ISO 5395-3:	
Στάθμη ηχοπίεσης στη θέση εργασίας	
$L_{pA}$	86 dB(A)
Αστάθεια $K_{pA}$	2 dB(A)
Μέτρηση κατά EN ISO 5395-3, EN 1032:	
Κραδασμοί στο κάθισμα (επιτάχυνση σε όλα το σώμα) $a_w$	0,98 m/s <sup>2</sup>
Αστάθεια $K_w$	0,49 m/s <sup>2</sup>
Μέτρηση κατά EN ISO 5395-3, EN 20643:	
Κραδασμοί στο τιμόνι	
$a_{hw}$	2,60 m/s <sup>2</sup>
Αστάθεια $K_{hw}$	1,30 m/s <sup>2</sup>
Αναφερόμενες χαρακτηριστικές τιμές ταλαντώσεων κατά EN 12096	
<b>RT 5097.1 Z:</b>	
Αναγνώριση σειράς	6160
Τύπος κινητήρα	EVC 7000
Κυβισμός	635 ccm
Ονομαστική ισχύς στον ονομαστικό αριθμό στροφών	8,2 - 2700 kW - στρο φές/λεπτό
Στροφές εξόδου	2700 στροφές/λε πτό
Πλάτος κοπής	95 cm

**RT 5097.1 Z:**

Κίνηση μπάρας μαχαιριού	ασύγχρονη
Ύψος κοπής	8πλό 30 - 100 mm
Τροχοί μπροστά, πίεση ελαστικών	15x6.00-6, 0,8 - 1,0 bar
Τροχοί πίσω, πίεση ελαστικών	18x8.50-8, 0,6 - 0,8 bar
Χωρητικότητα χορτοσυλλέκτη	250 l
Βάρος με σύστημα κοπής και άδειο χορτοσυλλέκτη	237 kg
Μέτρηση κατά 2000/14/EC / S.I. 2001/1701:	
Εγγυημένη στάθμη θορύβου $L_{WA}$	100 dB(A)
Αστάθεια $K_{WA}$	0,7 dB(A)
Μέτρηση κατά EN ISO 5395-3:	
Στάθμη ηχοπίεσης στη θέση εργασίας	
$L_{pA}$	86 dB(A)
Αστάθεια $K_{pA}$	2 dB(A)
Μέτρηση κατά EN ISO 5395-3, EN 1032:	
Κραδασμοί στο κάθισμα (επιτάχυνση σε όλα το σώμα) $a_w$	0,98 m/s <sup>2</sup>
Αστάθεια $K_w$	0,49 m/s <sup>2</sup>
Μέτρηση κατά EN ISO 5395-3, EN 20643:	
Κραδασμοί στο τιμόνι	
$a_{hw}$	2,20 m/s <sup>2</sup>
Αστάθεια $K_{hw}$	1,10 m/s <sup>2</sup>
Αναφερόμενες χαρακτηριστικές τιμές ταλαντώσεων κατά EN 12096	
<b>RT 5112.1 Z:</b>	
Αναγνώριση σειράς	6160
Τύπος κινητήρα	EVC 7000
Κυβισμός	635 ccm

**RT 5112.1 Z:**

Ονομαστική ισχύς στον ονομαστικό αριθμό στροφών	12,2 - 2700 kW - στροφές/λε πτό
Στροφές εξόδου	2700 στροφές/λεπτό
Πλάτος κοπής	110 cm
Κίνηση μπάρας μαχαιριού	σύγχρονη
Ύψος κοπής	8πλό 30 - 100 mm
Τροχοί μπροστά, πίεση ελαστικών	15x6.00-6, 0,8 - 1,0 bar
Τροχοί πίσω, πίεση ελαστικών	18x8.50-8, 0,6 - 0,8 bar
Χωρητικότητα χορτοσυλλέκτη	350 l
Βάρος με σύστημα κοπής και άδειο χορτοσυλλέκτη	258 kg
Μέτρηση κατά 2000/14/EC / S.I. 2001/1701:	
Εγγυημένη στάθμη θορύβου $L_{WA}$	100 dB(A)
Αστάθεια $K_{WA}$	0,6 dB(A)
Μέτρηση κατά EN ISO 5395-3:	
Στάθμη ηχοπίεσης στη θέση εργασίας	
$L_{pA}$	86 dB(A)
Αστάθεια $K_{pA}$	2 dB(A)
Μέτρηση κατά EN ISO 5395-3, EN 1032:	
Κραδασμοί στο κάθισμα (επιτάχυνση σε όλα το σώμα) $a_w$	0,98 m/s <sup>2</sup>
Αστάθεια $K_w$	0,49 m/s <sup>2</sup>
Μέτρηση κατά EN ISO 5395-3, EN 20643:	
Κραδασμοί στο τιμόνι	
$a_{hw}$	4,40 m/s <sup>2</sup>
Αστάθεια $K_{hw}$	2,20 m/s <sup>2</sup>

**RT 5112.1 Z:**

Αναφερόμενες χαρακτηριστικές τιμές  
ταλαντώσεων κατά EN 12096

**RT 6112.1 ZL:**

Αναγνώριση σειράς 6170  
Τύπος κινητήρα EVC 7000  
Κυβισμός 635 cc<sub>m</sub>  
Ονομαστική ισχύς 12,2 -2700  
στον ονομαστικό  
αριθμό στροφών  
kW - στροφές/λε  
πτό  
Στροφές εξόδου 2700  
στροφές/λεπτό

Πλάτος κοπής 110 cm  
Κίνηση μπάρας  
μαχαιριού σύγχρονη  
Ύψος κοπής 8πλό  
30 - 110 mm

Τροχοί μπροστά, 16x7.50-8,  
πίεση ελαστικών 0,8 - 1,0 bar  
Τροχοί πίσω, πίεση 20x10.00-8,  
ελαστικών 0,6 - 0,8 bar

Χωρητικότητα  
χορτοσυλλέκτη 350 l  
Βάρος με σύστημα  
κοπής και άδειο  
χορτοσυλλέκτη 268 kg  
Μέτρηση κατά 2000/14/EC / S.I.  
2001/1701:

Εγγυημένη στάθμη  
θορύβου  $L_{WA,d}$  100 dB(A)  
Αστάθεια  $K_{WA}$  0,6 dB(A)

Μέτρηση κατά EN ISO 5395-3:

Στάθμη ηχοπίεσης  
στη θέση εργασίας  
 $L_{pA}$  86 dB(A)  
Αστάθεια  $K_{pA}$  2,0 dB(A)

Μέτρηση κατά EN ISO 5395-3, EN 1032:

**RT 6112.1 ZL:**

Κραδασμοί στο  
κάθισμα (επιτάχυνση  
σε όλα το σώμα)  $a_w$  0,5 m/s<sup>2</sup>  
Αστάθεια  $K_w$  0,25 m/s<sup>2</sup>  
Μέτρηση κατά EN ISO 5395-3, EN 20643:  
Κραδασμοί στο τιμόνι  
 $a_{hw}$  4,40 m/s<sup>2</sup>  
Αστάθεια  $K_{hw}$  2,20 m/s<sup>2</sup>  
Αναφερόμενες χαρακτηριστικές τιμές  
ταλαντώσεων κατά EN 12096

**RT 6127.1 ZL:**

Αναγνώριση σειράς 6170  
Τύπος κινητήρα EVC 8000  
Κυβισμός 764 cc<sub>m</sub>  
Ονομαστική ισχύς 15,6 - 2950  
στον ονομαστικό  
αριθμό στροφών  
kW - στροφές/λε  
πτό  
Στροφές εξόδου 2950 στροφές/λε  
πτό

Πλάτος κοπής 125 cm  
Κίνηση μπάρας  
μαχαιριού σύγχρονη  
Ύψος κοπής 8πλό  
30 - 110 mm

Τροχοί μπροστά, 16x7.50-8,  
πίεση ελαστικών 0,8 - 1,0 bar  
Τροχοί πίσω, πίεση 20x10.00-8,  
ελαστικών 0,6 - 0,8 bar

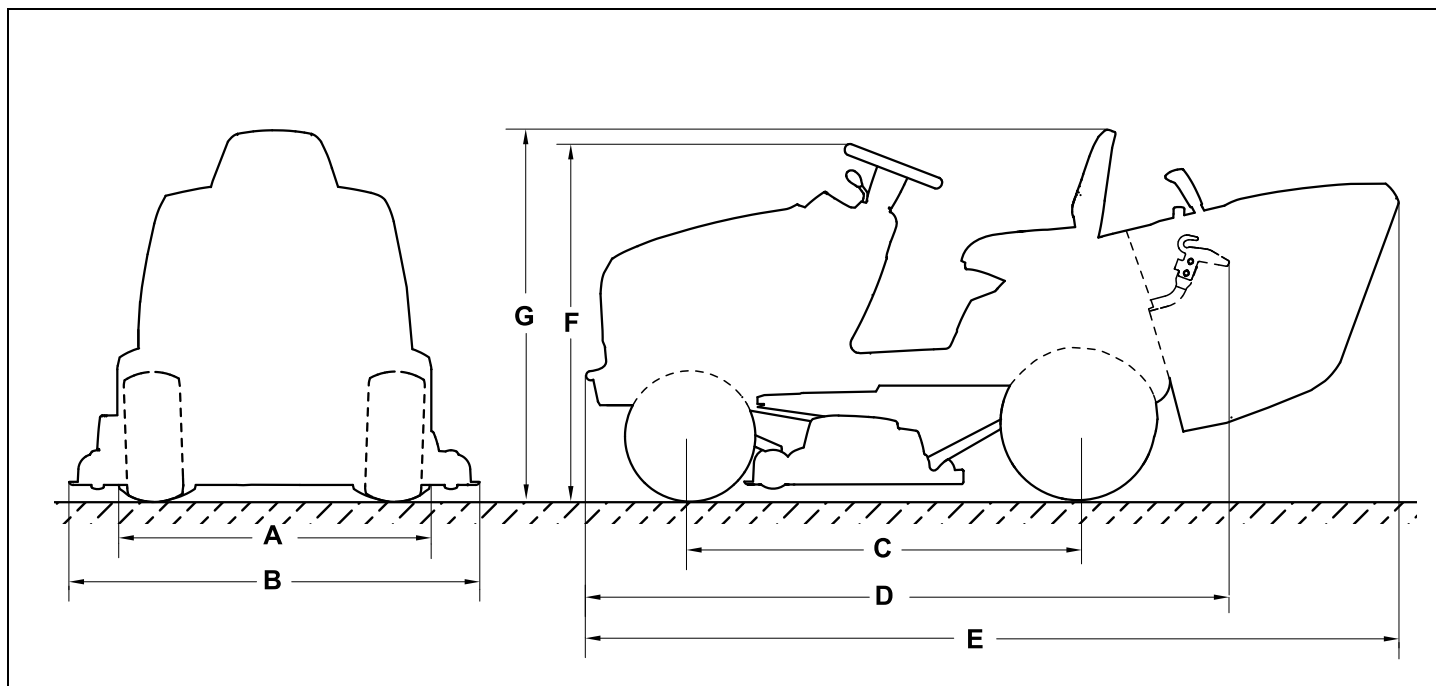
Χωρητικότητα  
χορτοσυλλέκτη 350 l  
Βάρος με σύστημα  
κοπής και άδειο  
χορτοσυλλέκτη 281 kg  
Μέτρηση κατά 2000/14/EC / S.I.  
2001/1701:

Εγγυημένη στάθμη  
θορύβου  $L_{WA,d}$  105 dB(A)  
Αστάθεια  $K_{WA}$  0,9 dB(A)

**RT 6127.1 ZL:**

Μέτρηση κατά EN ISO 5395-3:  
Στάθμη ηχοπίεσης  
στη θέση εργασίας  
 $L_{pA}$  90 dB(A)  
Αστάθεια  $K_{pA}$  2,0 dB(A)  
Μέτρηση κατά EN ISO 5395-3, EN 1032:  
Κραδασμοί στο  
κάθισμα (επιτάχυνση  
σε όλα το σώμα)  $a_w$  0,5 m/s<sup>2</sup>  
Αστάθεια  $K_w$  0,25 m/s<sup>2</sup>  
Μέτρηση κατά EN ISO 5395-3, EN 20643:  
Κραδασμοί στο τιμόνι  
 $a_{hw}$  4,40 m/s<sup>2</sup>  
Αστάθεια  $K_{hw}$  2,20 m/s<sup>2</sup>  
Αναφερόμενες χαρακτηριστικές τιμές  
ταλαντώσεων κατά EN 12096

## 22.1 Διαστάσεις



RT 5097.1, RT 5097.1 Z, RT 5112.1 Z, :  
A=96,8 cm

RT 6112.1 ZL, RT 6127.1 ZL:  
A=98,7 cm

RT 5097.1, RT 5097.1 Z:  
B=100,6 cm

RT 5112.1 Z, RT 6112.1 ZL:  
B=116,9 cm

RT 6127.1 ZL:  
B=131,8 cm

C=125 cm

D=206 cm

RT 5097.1, RT 5097.1 Z:  
E=241,6 cm

RT 5112.1 Z, RT 6112.1 ZL, RT 6127.1  
ZL:

E=260,3 cm

RT 5097.1, RT 5097.1 Z, RT 5112.1 Z, :  
F=111 cm

RT 6112.1 ZL, RT 6127.1 ZL:  
F=113 cm

RT 5097.1, RT 5097.1 Z, RT 5112.1 Z, :  
G=115 cm

RT 6112.1 ZL, RT 6127.1 ZL:  
G=117 cm

## 22.2 REACH

Το REACH είναι ένα κανονισμός της ΕΕ για την καταγραφή, αξιολόγηση και πιστοποίηση χημικών ουσιών.

Πληροφορίες για την συμμόρφωση με τον κανονισμό REACH (ΕΕ) αρ. 1907/2006 παρέχονται στο [www.stihl.com/reach](http://www.stihl.com/reach).

## 23. Εντοπισμός βλαβών

✳ αναζητήστε ενδεχομένως έναν εμπορικό αντιπρόσωπο, η ΣΤΙΗΛ προτείνει τον εμπορικό αντιπρόσωπο της ΣΤΙΗΛ.

📖 ανατρέξτε στις οδηγίες χρήσης του κινητήρα εσωτερικής καύσης.

### Βλάβη:

Η μίζα γυρίζει, ο κινητήρας εσωτερικής καύσης δεν παίρνει μπροστά.

### Πιθανή αιτία:

- Ο μοχλός γκαζιού βρίσκεται στη θέση MIN.
- Δεν έχει επιλεγεί η θέση τσοκ (μοχλός γκαζιού) ή δεν έχει πατηθεί το πλήκτρο τσοκ
- Δεν υπάρχει καύσιμο στο ρεζερβουάρ.
- Η βάνα καυσίμου είναι κλειστή.
- Ελλιπής ροή καυσίμου.
- Το μπουζί έχει καεί ή υποστεί ζημιά.
- Λανθασμένο διάκενο ηλεκτροδίου.
- Αποσύνδεση του καλύμματος μπουζί από το μπουζί.
- Ο κινητήρας εσωτερικής καύσης έχει "μπουκώσει" έπειτα από επανειλημμένες προσπάθειες εκκίνησης
- Βουλωμένο φίλτρο αέρα.
- Η μπαταρία είναι σχεδόν αποφορτισμένη.

### Αντιμετώπιση:

- Φέρτε το μοχλό γκαζιού στη θέση MAX.
- Φέρτε το μοχλό γκαζιού στη θέση τσοκ (⇒ 8.2) ή πιέστε το πλήκτρο τσοκ. (⇒ 8.4)
- Συμπληρώστε καύσιμο.
- Ανοίξτε τη βάνα καυσίμου. (⇒ 15.7)
- Ελέγξτε το φίλτρο καυσίμου. (📖)

- Καθαρίστε ή αντικαταστήστε το μπουζί. (📖)
- Ρυθμίστε το διάκενο του ηλεκτροδίου. (✳)
- Τοποθετήστε το κάλυμμα μπουζί και ελέγξτε τη σύνδεση του καλωδίου με το μπουζί. (✳)
- Ξεβιδώστε το μπουζί και στεγνώστε το. Φέρτε το μοχλό γκαζιού στη θέση MIN και έχοντας αφαιρέσει το μπουζί, εκκινήστε επανειλημμένα τον κινητήρα. Βιδώστε το μπουζί και τοποθετήστε το κάλυμμά του. (📖)
- Καθαρίστε το φίλτρο αέρα. (📖)
- Ελέγξτε την κατάσταση φόρτισης της μπαταρίας και φορτίστε την εάν χρειάζεται. (⇒ 15.21)

### Βλάβη:

Η μίζα δεν λειτουργεί.

### Πιθανή αιτία:

- Οι διατάξεις ασφαλείας μπλοκάρουν τη μίζα.
- Η μπαταρία δεν έχει συνδεθεί ή έχει συνδεθεί λανθασμένα.
- Πλήρως αποφορτισμένη μπαταρία ή ανεπαρκής φόρτιση.
- Βλάβη κύριας ασφάλειας (150 A).
- Λανθασμένη σύνδεση της γείωσης στον κινητήρα εσωτερικής καύσης ή το πλαίσιο.
- Βλάβη μίζας.

### Αντιμετώπιση:

- Ελέγξτε όλες τις διατάξεις ασφαλείας. (⇒ 12.)
- Ελέγξτε τις συνδέσεις της μπαταρίας. (⇒ 15.19)
- Φορτίστε την μπαταρία. (⇒ 15.21)
- Αντικαταστήστε την κύρια ασφάλεια. (✳)
- Ελέγξτε τα καλώδια σύνδεσης στην μπαταρία και στο πλαίσιο. (✳)
- Επισκευάστε τη μίζα. (✳)

### Βλάβη:

Δυσκολία στη θέση του κινητήρα σε λειτουργία ή μειωμένη απόδοση κινητήρα εσωτερικής καύσης.

### Πιθανή αιτία:

- Ύπαρξη νερού στο ρεζερβουάρ καυσίμου και στο καρμπυρατέρ. Βουλωμένο καρμπυρατέρ.
- Λερωμένο ρεζερβουάρ καυσίμου.
- Λερωμένο φίλτρο αέρα.
- Λερωμένο μπουζί.
- Κοπή πολύ ψηλού ή βρεγμένου χόρτου.

### Αντιμετώπιση:

- Εκκενώστε το ρεζερβουάρ καυσίμου. Καθαρίστε το ρεζερβουάρ, το κύκλωμα καυσίμου και το καρμπυρατέρ. (✳)
- Καθαρίστε το ρεζερβουάρ καυσίμου. (✳)
- Καθαρίστε/αντικαταστήστε το φίλτρο αέρα. (📖)
- Καθαρίστε το μπουζί. (📖)
- Προσαρμόστε τη σκάλα κοπής και την ταχύτητα κίνησης σύμφωνα με τις συνθήκες κοπής.

### Βλάβη:

Ο κινητήρας εσωτερικής καύσης θερμαίνεται υπερβολικά.

### Πιθανή αιτία:

- Λερωμένα πτερύγια ψύξης.
- Χαμηλή στάθμη λιπαντικού κινητήρα.
- Φθορά ιμάντα.

### Αντιμετώπιση:

- Καθαρίστε τα πτερύγια ψύξης. (📖)
- Ελέγξτε τη στάθμη πλήρωσης του λιπαντικού κινητήρα και συμπληρώστε. (⇒ 15.8)
- Αντικαταστήστε τον ιμάντα. (✳)

---

**Βλάβη:**

Το εργαλείο δεν κινείται.

**Πιθανή αιτία:**

- Έγινε αποσύμπλεξη του κιβωτίου μετάδοσης.
- Ξεκρεμάστηκε ο ιμάντας (κιβώτιο μετάδοσης).
- Φθαρμένος ή στομωμένος ιμάντας (κιβώτιο μετάδοσης).
- Λείπει η σφήνα μεταξύ του πίσω άξονα και των πίσω τροχών.

**Αντιμετώπιση:**

- Συμπλέξτε το κιβώτιο μετάδοσης (μοχλός ελεύθερης λειτουργίας κιβωτίου μετάδοσης). (⇒ 8.18)
- Αναρτήστε τον ιμάντα (κιβώτιο μετάδοσης). (✖)
- Αντικαταστήστε τον ιμάντα (κιβώτιο μετάδοσης). (✖)
- Τοποθετήστε τη σφήνα. (⇒ 15.15)

---

**Βλάβη:**

Έντονοι κραδασμοί κατά τη διάρκεια λειτουργίας.

**Πιθανή αιτία:**

- Τα μαχαίρια κοπής δεν είναι σωστά ζυγοσταθμισμένα λόγω λανθασμένου τροχίσματος ή φθορών.
- Οι βίδες των μαχαιριών δεν είναι καλά σφιγμένες.
- Η στερέωση του κινητήρα εσωτερικής καύσης δεν είναι καλά σφιγμένη.
- Ζημιά στον ιμάντα ή τον οδοντωτό ιμάντα.

**Αντιμετώπιση:**

- Τροχίστε και ζυγοσταθμίστε ξανά τα μαχαίρια κοπής ή αντικαταστήστε τα. (⇒ 15.13)
- Σφίξτε τις βίδες των μαχαιριών λαμβάνοντας υπόψη τη ροπή σύσφιξης. (⇒ 15.13)

- Σφίξτε τη στερέωση του κινητήρα εσωτερικής καύσης. (✖)
- Αντικαταστήστε τον ιμάντα ή τον οδοντωτό ιμάντα. (✖)

---

**Βλάβη:**

Μη καθαρή κοπή, ο χλοοτάπητας κιτρινίζει μετά τη διαδικασία κοπής.

**Πιθανή αιτία:**

- Φθαρμένα ή στομωμένα μαχαίρια κοπής.
- Η ταχύτητα κίνησης είναι πολύ μεγάλη αναλογικά με τις συνθήκες κοπής (ύψος κοπής, σύσταση χλοοτάπητα).
- Δεν έχει ρυθμιστεί ο μέγιστος αριθμός στροφών του κινητήρα (ο μοχλός γκαζιού δεν βρίσκεται στη θέση MAX).
- Η ρύθμιση του συστήματος κοπής δεν είναι κατάλληλη.
- Ο αγωγός εξαγωγής έχει βουλώσει.
- Το σύστημα κοπής έχει λερωθεί με υπολείμματα χόρτου (κολλώδη σημεία στην εσωτερική επιφάνεια του περιβλήματος του συστήματος κοπής).

**Αντιμετώπιση:**

- Τροχίστε ή αντικαταστήστε τα μαχαίρια κοπής (λάβετε υπόψη τα όρια φθοράς). (⇒ 15.13)
- Ελαττώστε την ταχύτητα κίνησης ή επιλέξτε μεγαλύτερο ύψος κοπής.
- Φέρτε το μοχλό γκαζιού στη θέση MAX. (⇒ 8.2), (⇒ 8.3)
- Ελέγξτε τη ρύθμιση του συστήματος κοπής και αν χρειαστεί προσαρμόστε την. (⇒ 15.14)
- Αφαιρέστε το χορτοσυλλέκτη και απομακρύνετε τυχόν κατάλοιπα χόρτου από τον αγωγό εξαγωγής.
- Καθαρίστε το εσωτερικό του συστήματος κοπής.

---

**Βλάβη:**

Ο αγωγός εξαγωγής έχει βουλώσει.

**Πιθανή αιτία:**

- Φθαρμένα ή στομωμένα πτερύγια στο μαχαίρι κοπής.
- Κοπή πολύ ψηλού ή βρεγμένου χόρτου.
- Η ταχύτητα κίνησης είναι πολύ μεγάλη αναλογικά με το ρυθμισμένο ύψος κοπής.
- Δεν έχει ρυθμιστεί ο μέγιστος αριθμός στροφών του κινητήρα (ο μοχλός γκαζιού δεν βρίσκεται στη θέση MAX).
- Λανθασμένη ρύθμιση αισθητήρα στάθμης πλήρωσης.

**Αντιμετώπιση:**

- Αντικαταστήστε τα μαχαίρια κοπής. (⇒ 15.13)
- Κόψτε το χόρτο σε δύο στάδια κοπής:
  1. Στάδιο κοπής στην υψηλότερη σκάλα κοπής,
  2. Στάδιο κοπής στο επιθυμητό ύψος κοπής.
- Ελαττώστε την ταχύτητα κίνησης ή επιλέξτε μεγαλύτερο ύψος κοπής.
- Φέρτε το μοχλό γκαζιού στη θέση MAX. (⇒ 8.2), (⇒ 8.3)
- Ρυθμίστε τον αισθητήρα στάθμης πλήρωσης (τραβήξτε το σύρτη τελείως προς τα έξω). (⇒ 8.19)

---

**Βλάβη:**

Ο χορτοσυλλέκτης δεν γεμίζει τελείως.

**Πιθανή αιτία:**

- Ο αισθητήρας στάθμης πλήρωσης δεν έχει ρυθμιστεί σωστά.
- Επιλέχθηκε πολύ χαμηλό ύψος κοπής.
- Το χόρτο είναι πολύ βρεγμένο και συνεπώς πολύ βαρύ προκειμένου να μεταφερθεί από τη ροή του αέρα μέσω του αγωγού εξαγωγής στο χορτοσυλλέκτη.

- Φθαρμένα ή στομωμένα μαχαίρια κοπής.
- Το χόρτο είναι πολύ ψηλό.
- Τα ανοίγματα εξαερισμού στο χορτοσυλλέκτη είναι βουλωμένα (δεν περνά αέρας στον χορτοσυλλέκτη).
- Λερωμένος αγωγός εξαγωγής ή σύστημα κοπής (εσωτερική επιφάνεια) από υπολείμματα χόρτου (από την τελευταία κοπή).

#### **Αντιμετώπιση:**

- Ρυθμίστε τον αισθητήρα στάθμης πλήρωσης. (⇒ 8.19)
- Επιλέξτε μεγαλύτερο ύψος κοπής.
- Περιμένετε μέχρι να στεγνώσει η επιφάνεια του χλοοτάπητα.
- Αντικαταστήστε ή τροχίστε τα μαχαίρια. (⇒ 15.13)
- Κόψτε το χόρτο σε δύο στάδια κοπής:
  1. Στάδιο κοπής στην υψηλότερη σκάλα κοπής,
  2. Στάδιο κοπής στο επιθυμητό ύψος κοπής.
- Καθαρίστε το χορτοσυλλέκτη (ανοίγματα εξαερισμού).
- Καθαρίστε τον αγωγό εξαγωγής ή το εσωτερικό μέρος του συστήματος κοπής.

#### **Βλάβη:**

Ο αισθητήρας στάθμης πλήρωσης (στο χορτοσυλλέκτη) δεν αποκρίνεται σωστά.

#### **Πιθανή αιτία:**

- Ο αισθητήρας στάθμης πλήρωσης (στο χορτοσυλλέκτη) έχει λερωθεί με υπολείμματα χόρτου.
- Ο αισθητήρας στάθμης πλήρωσης (στο χορτοσυλλέκτη) δεν είναι σωστά ρυθμισμένος.

- Πολύ μεγάλη ταχύτητα κίνησης.

#### **Αντιμετώπιση:**

- Καθαρίστε τον αισθητήρα στάθμης πλήρωσης και ελέγξτε εάν λειτουργεί ομαλά.
- Ρυθμίστε σωστά τον αισθητήρα στάθμης πλήρωσης (στο χορτοσυλλέκτη). (⇒ 8.19)
- Προσαρμόστε την ταχύτητα κίνησης στις συνθήκες κοπής (ελαττώστε την ταχύτητα).

#### **Βλάβη:**

Τα μαχαίρια κοπής δεν ενεργοποιούνται ή δεν περιστρέφονται.

#### **Πιθανή αιτία:**

- Οι διατάξεις ασφαλείας αποτρέπουν την ενεργοποίηση των μαχαίριων κοπής.
- Φθαρμένος, αποσπασμένος ή στομωμένος ιμάντας (σύστημα κοπής).

#### **Αντιμετώπιση:**

- Ελέγξτε εάν πληρούνται όλες οι προϋποθέσεις ασφαλείας για την ενεργοποίηση των μαχαίριων κοπής. (⇒ 12.)
- Ελέγξτε και εάν απαιτείται αντικαταστήστε τον ιμάντα (σύστημα κοπής). (✘)

#### **Βλάβη:**

Ο κινητήρας εσωτερικής καύσης σβήνει κατά την ενεργοποίηση του συστήματος κοπής.

#### **Πιθανή αιτία:**

- Ο χειριστής δεν κάθεται ή δεν κάθεται σωστά στο κάθισμα οδηγού.
- Βλάβη στο διακόπτη του χορτοσυλλέκτη ή βλάβη στο διακόπτη αγωγού εξαγωγής ή μη ενεργοποίησή του.

- Βλάβη στο διακόπτη επαφής του καθίσματος ή στο αντίστοιχο καλώδιο.

#### **Αντιμετώπιση:**

- Καθίστε στο κάθισμα του οδηγού ή αλλάξτε θέση.
- Τοποθετήστε τον χορτοσυλλέκτη ή τον εκτροπέα (πρόσθετος εξοπλισμός) ελέγξτε τη σωστή εφαρμογή της θυρίδας εξαγωγής (⇒ 15.6), επισκευάστε/αντικαταστήστε τον διακόπτη ή το καλώδιο. (✘)
- Αντικαταστήστε/επισκευάστε το διακόπτη επαφής του καθίσματος ή το καλώδιο. (✘)

#### **Βλάβη:**

Το σύστημα κοπής αποσυμπλέκεται κατά την κοπή χόρτου με οπισθοπορεία.

#### **Πιθανή αιτία:**

- Δεν έχει πατηθεί ο διακόπτης ασφαλείας για την κοπή χόρτου με οπισθοπορεία.

#### **Αντιμετώπιση:**

- Απελευθερώστε το μαχαίρι κοπής εντός του χρονικού διαστήματος (5 δευτερόλεπτα πριν έως και 1 δευτερόλεπτο μετά την αποσύμπλεξη ή την αλλαγή της κατεύθυνσης κίνησης). (⇒ 8.8)

#### **Βλάβη:**

Ο κινητήρας εσωτερικής καύσης σβήνει κατά την απομάκρυνση από το κάθισμα του οδηγού.

#### **Πιθανή αιτία:**

- Δεν έχει ενεργοποιηθεί το φρένο στάθμευσης.



- Σύμπλεξη συστήματος κοπής (διάταξη ασφαλείας).

#### Αντιμετώπιση:

- Ενεργοποιήστε το φρένο στάθμευσης πριν απομακρυνθείτε από το κάθισμα του οδηγού. (⇒ 8.14)
- Αποσυμπλέξτε το σύστημα κοπής πριν απομακρυνθείτε από το κάθισμα του οδηγού. (⇒ 8.5), (⇒ 8.6)

#### Βλάβη:

Στην οθόνη αναβοσβήνει η ένδειξη ERROR, ακούγονται τρία διαδοχικά ακουστικά σήματα.

#### Πιθανή αιτία:

- Βλάβη στο διακόπτη επαφής καθίσματος ή στο ηλεκτρικό σύστημα (βραχυκύκλωμα).

#### Αντιμετώπιση:

- Γυρίστε το κλειδί μίζας στη θέση "Απενεργοποίηση κινητήρα εσωτερικής καύσης", πραγματοποιήστε την αυτοδιάγνωση. (⇒ 9.1)

#### Βλάβη:

Έχει ενεργοποιηθεί ο συνεχόμενος ήχος.

#### Πιθανή αιτία:

- Ο χορτοσυλλέκτης έχει γεμίσει.
- Βλάβη στο ηλεκτρονικό σύστημα.
- Λανθασμένη σύνδεση των πόλων της μπαταρίας.

#### Αντιμετώπιση:

- Αποσυμπλέξτε το σύστημα κοπής και αδειάστε το χορτοσυλλέκτη. (⇒ 13.9)
- Γυρίστε το κλειδί μίζας στη θέση "Απενεργοποίηση κινητήρα εσωτερικής καύσης", πραγματοποιήστε την αυτοδιάγνωση. (⇒ 9.1)
- Ελέγξτε τη σύνδεση στους πόλους της μπαταρίας, εάν χρειάζεται συνδέστε σωστά τα καλώδια. (⇒ 15.19)

## 24. Πρόγραμμα συντήρησης

### 24.1 Βεβαίωση παράδοσης

Μοντέλο: \_\_\_\_\_

Αριθμός σειράς:

Ημερομηνία:



Επόμενη συντήρηση


Ημερομηνία:

### 24.2 Βεβαίωση συντήρησης



Για την εκτέλεση των εργασιών συντήρησης παραδώστε αυτές τις οδηγίες χρήσης στον εμπορικό αντιπρόσωπο STIHL.

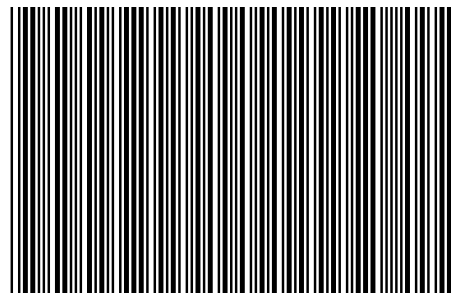
Αυτός θα επιβεβαιώσει στα προτυπωμένα πεδία την εκτέλεση των εργασιών συντήρησης.

 Η συντήρηση πραγματοποιήθηκε στις

 Ημερομηνία επόμενης συντήρησης

STIHL RT 5097, RT 5097 Z  
RT 5112 Z, RT 6112 ZL, RT 6127 ZL

***STIHL***



0478 192 9813 D

D

■ EUR 2